

**HLMP-4700, HLMP-4719, HLMP-4740**  
**HLMP-1700, HLMP-1719, HLMP-1790**  
 T-1<sup>3/4</sup> (5 mm), T-1 (3 mm), Low Current LED Lamps



**Data Sheet**

**Description**

These tinted diffused LED lamps are designed and optimized specifically for low DC current operation. Luminous intensity and forward voltage are tested at 2 mA to assure consistent brightness at TTL output current levels.

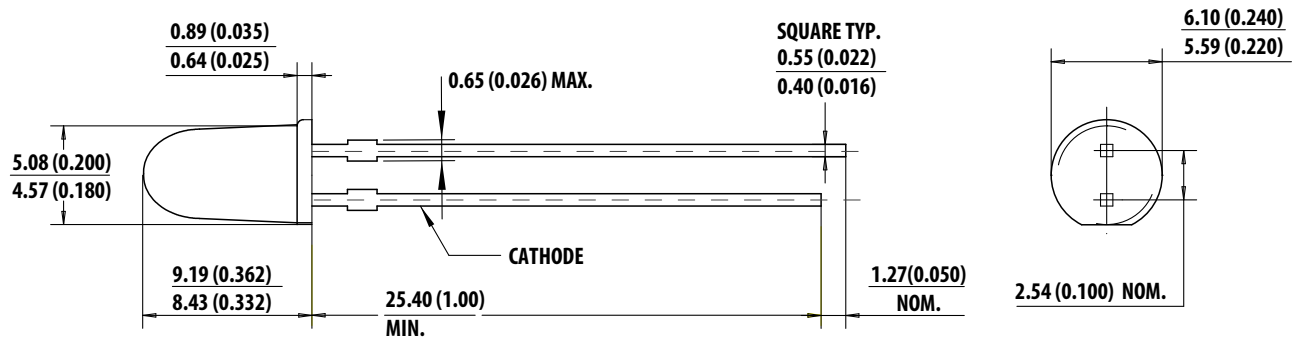
**Features**

- Low power
- High efficiency
- CMOS-MOS compatible
- TTL compatible
- Wide viewing angle
- Choice of package styles
- Choice of colors

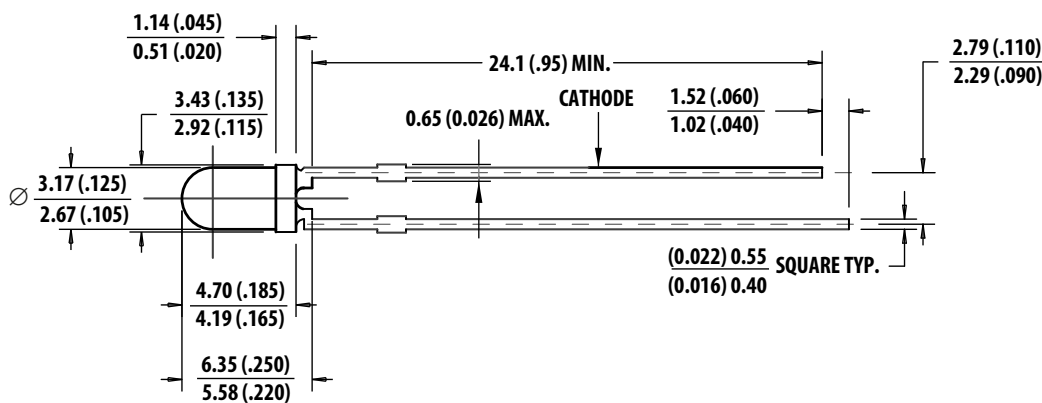
**Applications**

- Low power DC circuits
- Telecommunications indicators
- Portable equipment
- Keyboard indicators

**Package Dimensions**



**A - HLMP-4700, -4719, -4740**



**B - HLMP-1700, -1719, -1790**

**Notes:**

1. All dimensions are in mm (inches).
2. An epoxy meniscus may extend about 1 mm (0.040") down the leads.
3. For PCB hole recommendations, see the Precautions section.

## Selection Guide

| Package Description     | Color               | Device<br>HLMP- | Luminous Intensity I <sub>v</sub> (mcd) at 2 mA |      |      | 2θ <sup>1/2</sup> | Package<br>Outline |
|-------------------------|---------------------|-----------------|---|------|------|-------------------|--------------------|
|                         |                     |                 | Min.  | Typ. | Max. |                   |                    |
| T-1 3/4 Tinted Diffused | Red                 | 4700            | 1.5   | 2.3  | –    | 50                | A                  |
|                         |                     | 4700-C00xx      | 1.5   | 2.3  | –    |                   |                    |
|                         |                     | 4700-CD0FH      | 1.5   | 2.3  | 4.2  |                   |                    |
|                         | Yellow              | 4719            | 0.9   | 2.1  | –    |                   |                    |
|                         |                     | 4719-A00xx      | 0.9   | 2.1  | –    |                   |                    |
|                         | Green               | 4740            | 1.0   | 2.3  | –    |                   |                    |
|                         |                     | 4740-A00xx      | 1.0   | 2.3  | –    |                   |                    |
|                         |                     | 4740-AB000      | 1.0   | 2.3  | 3.2  |                   |                    |
|                         | T-1 Tinted Diffused | Red             | 1700  | 0.8  | 2.1  |                   |                    |
| 1700-B00xx              |                     |                 | 0.8   | 2.1  | –    |                   |                    |
| Yellow                  |                     | 1719            | 0.9   | 2.1  | –    |                   |                    |
|                         |                     | 1719-A00xx      | 0.9   | 2.1  | –    |                   |                    |
|                         |                     | 1719-ABB00      | 0.9   | 2.1  | 2.8  |                   |                    |
| Green                   |                     | 1790            | 1.0   | 2.3  | –    |                   |                    |
|                         |                     | 1790-A00xx      | 1.0   | 2.3  | –    |                   |                    |
|                         |                     | 1790-AB0FH      | 1.0   | 2.4  | 3.2  |                   |                    |

Note:

1. θ<sup>1/2</sup> is the typical off-axis angle at which the luminous intensity is half the axial luminous intensity.

## Part Numbering System

HLMP - X 7 XX - X X X XX



## Electrical/Optical Characteristics at $T_A = 25^\circ\text{C}$

| Symbol              | Description               | T-1 <sup>3/4</sup> | T-1  | Min. | Typ.               | Max. | Units       | Test Conditions                  |
|---------------------|---------------------------|--------------------|------|------|--------------------|------|-------------|----------------------------------|
| V <sub>F</sub>      | Forward Voltage           | 4700               | 1700 |      | 1.7                | 2.0  | V           | 2 mA                             |
|                     |                           | 4719               | 1719 |      | 1.8                | 2.5  |             |                                  |
|                     |                           | 4740               | 1790 |      | 1.9                | 2.2  |             |                                  |
| V <sub>R</sub>      | Reverse Breakdown Voltage | 4700               | 1700 | 5.0  |                    |      | V           | I <sub>R</sub> = 50 μA           |
|                     |                           | 4719               | 1719 | 5.0  |                    |      |             |                                  |
|                     |                           | 4740               | 1790 | 5.0  |                    |      |             |                                  |
| λ <sub>d</sub>      | Dominant Wavelength       | 4700               | 1700 |      | 626                |      | nm          | Note 1                           |
|                     |                           | 4719               | 1719 |      | 585                |      |             |                                  |
|                     |                           | 4740               | 1790 |      | 569                |      |             |                                  |
| Δλ <sub>1/2</sub>   | Spectral Line Halfwidth   | 4700               | 1700 |      | 40                 |      | nm          |                                  |
|                     |                           | 4719               | 1719 |      | 36                 |      |             |                                  |
|                     |                           | 4740               | 1790 |      | 28                 |      |             |                                  |
| τ <sub>S</sub>      | Speed of Response         | 4700               | 1700 |      | 90                 |      | ns          |                                  |
|                     |                           | 4719               | 1719 |      | 90                 |      |             |                                  |
|                     |                           | 4740               | 1790 |      | 500                |      |             |                                  |
| C                   | Capacitance               | 4700               | 1700 |      | 11                 |      | pF          | V <sub>F</sub> = 0,<br>f = 1 MHz |
|                     |                           | 4719               | 1719 |      | 15                 |      |             |                                  |
|                     |                           | 4740               | 1790 |      | 18                 |      |             |                                  |
| Rθ <sub>J-PIN</sub> | Thermal Resistance        | 4700               | 1700 |      | 260 <sup>[3]</sup> |      | °C/W        | Junction to Cathode Lead         |
|                     |                           | 4719               | 1719 |      | 290 <sup>[4]</sup> |      |             |                                  |
|                     |                           | 4740               | 1790 |      |                    |      |             |                                  |
| λ <sub>PEAK</sub>   | Peak Wavelength           | 4700               | 1700 |      | 635                |      | nm          | Measurement at Peak              |
|                     |                           | 4740               | 1790 |      | 565                |      |             |                                  |
| η <sub>V</sub>      | Luminous Efficacy         | 4700               | 1700 |      | 145                |      | lumens/watt | Note 2                           |
|                     |                           | 4719               | 1719 |      | 500                |      |             |                                  |
|                     |                           | 4740               | 1790 |      | 595                |      |             |                                  |

### Notes:

1. The dominant wavelength, λ<sub>d</sub>, is derived from the CIE chromaticity diagram and represents the single wavelength which defines the color of the device.
2. The radiant intensity, I<sub>e</sub>, in watts per steradian, may be found from the equation I<sub>e</sub> = I<sub>v</sub>/η<sub>V</sub>, where I<sub>v</sub> is the luminous intensity in candelas and η<sub>V</sub> is luminous efficacy in lumens/watt.
3. T-1<sup>3/4</sup>.
4. T-1.

## Absolute Maximum Ratings

| Parameter   |            | Maximum Rating | Units |
|---|------------|----------------|-------|
| Power Dissipation<br>(Derate linearly from 92°C at 1.0 mA/°C) | Red        | 14             | mW    |
|   | Yellow     | 17.5           |       |
|   | Green      | 15.4           |       |
| DC and Peak Forward Current                                   |            | 7              | mA    |
| Transient Forward Current (10 μs Pulse) <sup>[1]</sup>        |            | 500            | mA    |
| Reverse Voltage (I <sub>R</sub> = 50 μA)                      |            | 5.0            | V     |
| Operating Temperature Range                                   | Red/Yellow | -40 to 100     | °C    |
|   | Green      | -20 to 100     | °C    |
| Storage Temperature Range                                     |            | -40 to +100    | °C    |

Notes:

- The transient peak current is the maximum non-recurring peak current the devices can withstand without damaging the LED die and wire bonds. It is not recommended that the device be operated at peak currents beyond the Absolute Maximum Peak Forward Current.



Figure 1. Relative intensity vs. wavelength.



Figure 2. Forward current vs. forward voltage.



Figure 3. Relative luminous intensity vs. forward current.



Figure 4. Relative luminous intensity vs. angular displacement for T-1<sup>3/4</sup> lamp.

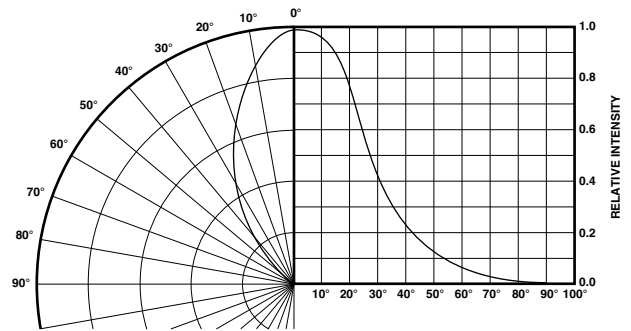


Figure 5. Relative illuminous intensity vs. angular displacement for T-1 lamp.

### Intensity Bin Limits

| Color | Bin     | Intensity Range (mcd) |        |
|-------|---------|-----------------------|--------|
|       |         | Min.                  | Max.   |
| Red   | B       | 0.9                   | 1.5    |
|       | C       | 1.5                   | 2.4    |
|       | D       | 2.4                   | 3.8    |
|       | E       | 3.8                   | 6.1    |
|       | F       | 6.1                   | 9.7    |
|       | G       | 9.7                   | 15.5   |
|       | H       | 15.5                  | 24.8   |
|       | I       | 24.8                  | 39.6   |
|       | J       | 39.6                  | 63.4   |
|       | K       | 63.4                  | 101.5  |
|       | L       | 101.5                 | 162.4  |
|       | M       | 162.4                 | 234.6  |
|       | N       | 234.6                 | 340.0  |
|       | O       | 340.0                 | 540.0  |
|       | P       | 540.0                 | 850.0  |
|       | Q       | 850.0                 | 1200.0 |
|       | R       | 1200.0                | 1700.0 |
|       | S       | 1700.0                | 2400.0 |
|       | T       | 2400.0                | 3400.0 |
|       | U       | 3400.0                | 4900.0 |
| V     | 4900.0  | 7100.0                |        |
| W     | 7100.0  | 10200.0               |        |
| X     | 10200.0 | 14800.0               |        |
| Y     | 14800.0 | 21400.0               |        |
| Z     | 21400.0 | 30900.0               |        |

Maximum tolerance for each bin limit is  $\pm 18\%$ .

### Intensity Bin Limits

| Color  | Bin     | Intensity Range (mcd) |        |
|--------|---------|-----------------------|--------|
|        |         | Min.                  | Max.   |
| Yellow | A       | 1.0                   | 1.6    |
|        | B       | 1.6                   | 2.5    |
|        | C       | 2.5                   | 4.0    |
|        | D       | 4.0                   | 6.5    |
|        | E       | 6.5                   | 10.3   |
|        | F       | 10.3                  | 16.6   |
|        | G       | 16.6                  | 26.5   |
|        | H       | 26.5                  | 42.3   |
|        | I       | 42.3                  | 67.7   |
|        | J       | 67.7                  | 108.2  |
|        | K       | 108.2                 | 173.2  |
|        | L       | 173.2                 | 250.0  |
|        | M       | 250.0                 | 360.0  |
|        | N       | 360.0                 | 510.0  |
|        | O       | 510.0                 | 800.0  |
|        | P       | 800.0                 | 1250.0 |
|        | Q       | 1250.0                | 1800.0 |
|        | R       | 1800.0                | 2900.0 |
|        | S       | 2900.0                | 4700.0 |
|        | T       | 4700.0                | 7200.0 |
| U      | 7200.0  | 11700.0               |        |
| V      | 11700.0 | 18000.0               |        |
| W      | 18000.0 | 27000.0               |        |

Maximum tolerance for each bin limit is  $\pm 18\%$ .

## Intensity Bin Limits

| Color | Bin     | Intensity Range (mcd) |        |
|-------|---------|-----------------------|--------|
|       |         | Min.                  | Max.   |
| Green | A       | 1.1                   | 1.8    |
|       | B       | 1.8                   | 2.9    |
|       | C       | 2.9                   | 4.7    |
|       | D       | 4.7                   | 7.6    |
|       | E       | 7.6                   | 12.0   |
|       | F       | 12.0                  | 19.1   |
|       | G       | 19.1                  | 30.7   |
|       | H       | 30.7                  | 49.1   |
|       | I       | 49.1                  | 78.5   |
|       | J       | 78.5                  | 125.7  |
|       | K       | 125.7                 | 201.1  |
|       | L       | 201.1                 | 289.0  |
|       | M       | 289.0                 | 417.0  |
|       | N       | 417.0                 | 680.0  |
|       | O       | 680.0                 | 1100.0 |
|       | P       | 1100.0                | 1800.0 |
|       | Q       | 1800.0                | 2700.0 |
| R     | 2700.0  | 4300.0                |        |
| S     | 4300.0  | 6800.0                |        |
| T     | 6800.0  | 10800.0               |        |
| U     | 10800.0 | 16000.0               |        |
| V     | 16000.0 | 25000.0               |        |
| W     | 25000.0 | 40000.0               |        |

Maximum tolerance for each bin limit is  $\pm 18\%$ .

## Color Categories

| Color  | Category # | Lambda (nm) |       |
|--------|------------|-------------|-------|
|        |            | Min.        | Max.  |
| Green  | 6          | 561.5       | 564.5 |
|        | 5          | 564.5       | 567.5 |
|        | 4          | 567.5       | 570.5 |
|        | 3          | 570.5       | 573.5 |
|        | 2          | 573.5       | 576.5 |
|        | 1          | 582.0       | 584.5 |
| Yellow | 3          | 584.5       | 587.0 |
|        | 2          | 587.0       | 589.5 |
|        | 4          | 589.5       | 592.0 |
|        | 5          | 592.0       | 593.0 |

Tolerance for each bin limit is  $\pm 0.5$  nm.

## Mechanical Option Matrix

| Mechanical Option Code | Definition   |
|------------------------|--|
| 00                     | Bulk Packaging, minimum increment 500 pc/bag   |
| 01                     | Tape & Reel, crimped leads, min. increment 1300 pcs/bag for T-1 3/4, 1800 pcs/bag for T-1  |
| 02                     | Tape & Reel, straight leads, min. increment 1300 pcs/bag for T-1 3/4, 1800 pcs/bag for T-1 |
| A1                     | T-1, Right Angle Housing, uneven leads, minimum increment 500 pcs/bag                      |
| A2                     | T-1, Right Angle Housing, even leads, minimum increment 500 pcs/bag                        |
| B1                     | T-1 3/4, Right Angle Housing, uneven leads, minimum increment 500 pcs/bag                  |
| B2                     | T-1 3/4, Right Angle Housing, even leads, minimum increment 500 pcs/bag                    |
| BH                     | T-1, Tape & Reel, straight leads, minimum increment 2000 pcs/bag                           |
| FH                     | Devices that require inventory control and 2 lv bin select                                 |
| R1                     | Tape & Reel, crimped leads, reeled counter clockwise, cathode lead leaving the reel first  |

Notes: All categories are established for classification of products. Products may not be available in all categories. Please contact your local Avago representative for further clarification/information.

**Precautions:**

**Lead Forming:**

- The leads of an LED lamp may be preformed or cut to length prior to insertion and soldering on PC board.
- For better control, it is recommended to use proper tool to precisely form and cut the leads to applicable length rather than doing it manually.
- If manual lead cutting is necessary, cut the leads after the soldering process. The solder connection forms a mechanical ground which prevents mechanical stress due to lead cutting from traveling into LED package. This is highly recommended for hand solder operation, as the excess lead length also acts as small heat sink.

**Soldering and Handling:**

- Care must be taken during PCB assembly and soldering process to prevent damage to the LED component.
- LED component may be effectively hand soldered to PCB. However, it is only recommended under unavoidable circumstances such as rework. The closest manual soldering distance of the soldering heat source (soldering iron’s tip) to the body is 1.59mm. Soldering the LED using soldering iron tip closer than 1.59mm might damage the LED.



- ESD precaution must be properly applied on the soldering station and personnel to prevent ESD damage to the LED component that is ESD sensitive. Do refer to Avago application note AN 1142 for details. The soldering iron used should have grounded tip to ensure electrostatic charge is properly grounded.
- Recommended soldering condition:

|                      | <b>Wave Soldering<sup>[1],[2]</sup></b> | <b>Manual Solder Dipping</b> |
|----------------------|---|------------------------------|
| Pre-heat Temperature | 105°C Max.                              | –                            |
| Pre-heat Time        | 60 sec Max.                             | –                            |
| Peak Temperature     | 250°C Max.                              | 260°C Max.                   |
| Dwell Time           | 3 sec Max.                              | 5 sec Max.                   |

Note:

- 1) Above conditions refers to measurement with thermocouple mounted at the bottom of PCB.
- 2) It is recommended to use only bottom preheaters in order to reduce thermal stress experienced by LED.

- Wave soldering parameters must be set and maintained according to the recommended temperature and dwell time. Customer is advised to perform daily check on the soldering profile to ensure that it is always conforming to recommended soldering conditions.

Note:

1. PCB with different size and design (component density) will have different heat mass (heat capacity). This might cause a change in temperature experienced by the board if same wave soldering setting is used. So, it is recommended to re-calibrate the soldering profile again before loading a new type of PCB.
2. Customer is advised to take extra precaution during wave soldering to ensure that the maximum wave temperature does not exceed 250°C and the solder contact time does not exceeding 3sec. Over-stressing the LED during soldering process might cause premature failure to the LED due to delamination.

- Any alignment fixture that is being applied during wave soldering should be loosely fitted and should not apply weight or force on LED. Non metal material is recommended as it will absorb less heat during wave soldering process.

- At elevated temperature, LED is more susceptible to mechanical stress. Therefore, PCB must allowed to cool down to room temperature prior to handling, which includes removal of alignment fixture or pallet.

- If PCB board contains both through hole (TH) LED and other surface mount components, it is recommended that surface mount components be soldered on the top side of the PCB. If surface mount need to be on the bottom side, these components should be soldered using reflow soldering prior to insertion the TH LED.

- Recommended PC board plated through holes (PTH) size for LED component leads.

|                              | <b>LED Component Lead Size</b>        | <b>Diagonal</b>        | <b>Plated Through-Hole Diameter</b>    |
|------------------------------|---------------------------------------|------------------------|--|
| Lead size (typ.)             | 0.45 × 0.45 mm<br>(0.018 × 0.018 in.) | 0.636 mm<br>(0.025 in) | 0.98 to 1.08 mm<br>(0.039 to 0.043 in) |
| Dambar shear-off area (max.) | 0.65 mm<br>(0.026 in)                 | 0.919 mm<br>(0.036 in) |  |
| Lead size (typ.)             | 0.50 × 0.50 mm<br>(0.020 × 0.020 in.) | 0.707 mm<br>(0.028 in) | 1.05 to 1.15 mm<br>(0.041 to 0.045 in) |
| Dambar shear-off area (max.) | 0.70 mm<br>(0.028 in)                 | 0.99 mm<br>(0.039 in)  |  |

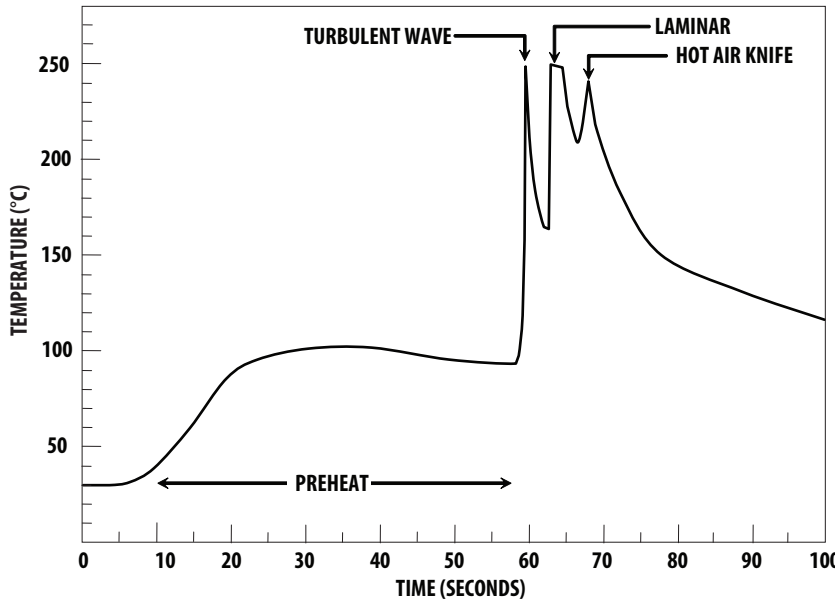
Note: Refer to application note AN1027 for more information on soldering LED components.

- Over-sizing the PTH can lead to twisted LED after clinching. On the other hand under sizing the PTH can cause difficulty inserting the TH LED.

Refer to application note AN5334 for more information about soldering and handling of TH LED lamps.



Example of Wave Soldering Temperature Profile for TH LED



Recommended solder:  
 Sn63 (Leaded solder alloy)  
 SAC305 (Lead free solder alloy)

Flux: Rosin flux

Solder bath temperature:  
 245°C ± 5°C (maximum peak temperature = 250°C)

Dwell time: 1.5 sec – 3.0 sec (maximum = 3sec)

Note: Allow for board to be sufficiently cooled to room temperature before exerting mechanical force.

Recommended solder:  
 Sn63 (Leaded solder alloy)  
 SAC305 (Lead free solder alloy)

Flux: Rosin flux

Solder bath temperature:  
 245°C ± 5°C (maximum peak temperature = 250°C)

Dwell time: 1.5 sec – 3.0 sec (maximum = 3sec)

Note: Allow for board to be sufficiently cooled to room temperature before exerting mechanical force.

Packaging Label:

(i) Avago Mother Label: (Available on packaging box of ammo pack and shipping box)

|   |   |
|---|---|
| <b>AVAGO</b><br>TECHNOLOGIES                  |   |
| (1P) Item: Part Number<br>[Barcode]           | STANDARD LABEL LS0002                   |
| (1T) Lot: Lot Number<br>[Barcode]             | RoHS Compliant                          |
| LPN:<br>[Barcode]                             | e3 max temp 250C                        |
| (9D)MFG Date: Manufacturing Date<br>[Barcode] | (Q) QTY: Quantity<br>[Barcode]          |
| (P) Customer Item:<br>[Barcode]               | CAT: Intensity Bin<br>[Barcode]         |
| (V) Vendor ID:<br>[Barcode]                   | BIN: Color Bin<br>[Barcode]             |
| (9D) Date Code: Date Code<br>[Barcode]        |   |
| DeptID:<br>[Barcode]                          | Made In: Country of Origin<br>[Barcode] |

(ii) Avago Baby Label (Only available on bulk packaging)

|   |   |                                    |
|---|---|------------------------------------|
| <br><b>Lamps Baby Label</b>          |   | RoHS Compliant<br>e3 max temp 250C |
| (1P) PART #: Part Number<br>         |   |                                    |
| (1T) LOT #: Lot Number<br>           |   |                                    |
| (9D)MFG DATE: Manufacturing Date<br> | QUANTITY: Packing Quantity<br> |                                    |
| C/O: Country of Origin  |   |                                    |
| Customer P/N:<br>                    | CAT: Intensity Bin<br>         |                                    |
| Supplier Code:<br>                   | BIN: Color Bin<br>             |                                    |
|   | DATECODE: Date Code<br>        |                                    |

For product information and a complete list of distributors, please go to our web site: [www.avagotech.com](http://www.avagotech.com)

Avago, Avago Technologies, and the A logo are trademarks of Avago Technologies in the United States and other countries. Data subject to change. Copyright © 2005-2014 Avago Technologies. All rights reserved. Obsoletes 5989-4256EN AV02-1557EN - July 24, 2014





## Стандарт Электрон Связь

Мы молодая и активно развивающаяся компания в области поставок электронных компонентов. Мы поставляем электронные компоненты отечественного и импортного производства напрямую от производителей и с крупнейших складов мира.

Благодаря сотрудничеству с мировыми поставщиками мы осуществляем комплексные и плановые поставки широчайшего спектра электронных компонентов.

Собственная эффективная логистика и склад в обеспечивает надежную поставку продукции в точно указанные сроки по всей России.

Мы осуществляем техническую поддержку нашим клиентам и предпродажную проверку качества продукции. На все поставляемые продукты мы предоставляем гарантию .

Осуществляем поставки продукции под контролем ВП МО РФ на предприятия военно-промышленного комплекса России , а также работаем в рамках 275 ФЗ с открытием отдельных счетов в уполномоченном банке. Система менеджмента качества компании соответствует требованиям ГОСТ ISO 9001.

Минимальные сроки поставки, гибкие цены, неограниченный ассортимент и индивидуальный подход к клиентам являются основой для выстраивания долгосрочного и эффективного сотрудничества с предприятиями радиоэлектронной промышленности, предприятиями ВПК и научно-исследовательскими институтами России.

С нами вы становитесь еще успешнее!

### Наши контакты:

**Телефон:** +7 812 627 14 35

**Электронная почта:** [sales@st-electron.ru](mailto:sales@st-electron.ru)

**Адрес:** 198099, Санкт-Петербург,  
Промышленная ул, дом № 19, литера Н,  
помещение 100-Н Офис 331