

## Hi-Speed USB Transceiver with 1.8V ULPI Interface - 26MHz Reference Clock

### PRODUCT FEATURES

Data Brief

- USB-IF “Hi-Speed” compliant to the Universal Serial Bus Specification Rev 2.0
- Interface compliant with the ULPI Specification revision 1.1 as a Single Data Rate (SDR) PHY
- 1.8V IO Voltage ( $\pm 10\%$ )
- flexPWR<sup>®</sup> Technology
  - Low current design ideal for battery powered applications
  - “Sleep” mode tri-states all ULPI pins and places the part in a low current state
- Supports FS pre-amble for FS hubs with a LS device attached (UTMI+ Level 3)
- Supports HS SOF and LS keep-alive pulse
- Includes full support for the optional On-The-Go (OTG) protocol detailed in the On-The-Go Supplement Revision 1.0a specification
- Supports the OTG Host Negotiation Protocol (HNP) and Session Request Protocol (SRP)
- Allows host to turn VBUS off to conserve battery power in OTG applications
- Support OTG monitoring of VBUS levels with internal comparators
- “Wrapper-less” design for optimal timing performance and design ease
  - Low Latency Hi-Speed Receiver (43 Hi-Speed clocks Max) allows use of legacy UTMI Links with a ULPI bridge
- Internal 5V cable short-circuit protection of ID, DP and DM lines to VBUS or ground
- 26MHz Reference Clock Operation
  - 0 to 3.6V input drive tolerant
  - Able to accept “noisy” clock sources
- Internal low jitter PLL for 480MHz Hi-Speed USB operation
- Internal detection of the value of resistance to ground on the ID pin
- Integrated battery to 3.3V LDO regulator
  - 2.2uF bypass capacitor
  - 100mV dropout voltage
- Integrated ESD protection circuits
  - Up to  $\pm 15\text{kV}$  without any external devices
- CarKit UART mode for non-USB serial data transfers
- Integrated USB Switch
  - Allows single USB port of connection
  - High speed data
  - Battery charging
  - Stereo and mono/mic audio
  - USB1.1 data
- Industrial Operating Temperature  $-40^{\circ}\text{C}$  to  $+85^{\circ}\text{C}$
- Packaging Options
  - 24 pin QFN lead-free RoHS compliant package (4 x 4 x 0.90 mm height)
  - 25 ball VFPGA lead-free RoHS compliant package also available; (3 x 3 x 0.88mm height)

### Applications

The USB3311 is targeted for any application where a Hi-Speed USB connection is desired and when board space, power, and interface pins must be minimized.

The USB3311 is well suited for:

- Cell Phones
- PDAs
- MP3 Players
- GPS Personal Navigation
- Scanners
- External Hard Drives
- Digital Still and Video Cameras
- Portable Media Players
- Entertainment Devices
- Printers
- Set Top Boxes
- Video Record/Playback Systems
- IP and Video Phones
- Gaming Consoles
- POS Terminals

**Order Number(s):**

**USB3311C-CP-TR FOR 24 PIN, QFN LEAD-FREE ROHS COMPLIANT PACKAGE (TAPE AND REEL)  
USB3311C-GJ-TR FOR 25 PIN, VFBGA LEAD-FREE ROHS COMPLIANT PACKAGE (TAPE AND REEL)  
REEL SIZE IS 4000 PIECES.**

**This product meets the halogen maximum concentration values per IEC61249-2-21  
For RoHS compliance and environmental information, please visit [www.smSC.com/rohs](http://www.smSC.com/rohs)**



80 ARKAY DRIVE, HAUPPAUGE, NY 11788 (631) 435-6000, FAX (631) 273-3123

Copyright © 2010 SMSC or its subsidiaries. All rights reserved.

Circuit diagrams and other information relating to SMSC products are included as a means of illustrating typical applications. Consequently, complete information sufficient for construction purposes is not necessarily given. Although the information has been checked and is believed to be accurate, no responsibility is assumed for inaccuracies. SMSC reserves the right to make changes to specifications and product descriptions at any time without notice. Contact your local SMSC sales office to obtain the latest specifications before placing your product order. The provision of this information does not convey to the purchaser of the described semiconductor devices any licenses under any patent rights or other intellectual property rights of SMSC or others. All sales are expressly conditional on your agreement to the terms and conditions of the most recently dated version of SMSC's standard Terms of Sale Agreement dated before the date of your order (the "Terms of Sale Agreement"). The product may contain design defects or errors known as anomalies which may cause the product's functions to deviate from published specifications. Anomaly sheets are available upon request. SMSC products are not designed, intended, authorized or warranted for use in any life support or other application where product failure could cause or contribute to personal injury or severe property damage. Any and all such uses without prior written approval of an Officer of SMSC and further testing and/or modification will be fully at the risk of the customer. Copies of this document or other SMSC literature, as well as the Terms of Sale Agreement, may be obtained by visiting SMSC's website at <http://www.smSC.com>. SMSC is a registered trademark of Standard Microsystems Corporation ("SMSC"). Product names and company names are the trademarks of their respective holders.

**SMSC DISCLAIMS AND EXCLUDES ANY AND ALL WARRANTIES, INCLUDING WITHOUT LIMITATION ANY AND ALL IMPLIED WARRANTIES OF MERCHANTABILITY, FITNESS FOR A PARTICULAR PURPOSE, TITLE, AND AGAINST INFRINGEMENT AND THE LIKE, AND ANY AND ALL WARRANTIES ARISING FROM ANY COURSE OF DEALING OR USAGE OF TRADE. IN NO EVENT SHALL SMSC BE LIABLE FOR ANY DIRECT, INCIDENTAL, INDIRECT, SPECIAL, PUNITIVE, OR CONSEQUENTIAL DAMAGES; OR FOR LOST DATA, PROFITS, SAVINGS OR REVENUES OF ANY KIND; REGARDLESS OF THE FORM OF ACTION, WHETHER BASED ON CONTRACT; TORT; NEGLIGENCE OF SMSC OR OTHERS; STRICT LIABILITY; BREACH OF WARRANTY; OR OTHERWISE; WHETHER OR NOT ANY REMEDY OF BUYER IS HELD TO HAVE FAILED OF ITS ESSENTIAL PURPOSE, AND WHETHER OR NOT SMSC HAS BEEN ADVISED OF THE POSSIBILITY OF SUCH DAMAGES.**

## General Description

The USB3311 is a highly integrated Hi-Speed USB 2.0 Transceiver (PHY) that supports systems architectures based on a 26MHz reference clock. It is designed to be used in both commercial and industrial temperature applications.

The USB3311 meets all of the electrical requirements to be used as a Hi-Speed USB Host, Device, or an On-the-Go (OTG) device. In addition to the supporting USB signaling the USB3311 also provides USB UART mode and USB Audio mode.

USB3311 uses the industry standard UTMI+ Low Pin Interface (ULPI) to connect the USB PHY to the Link. The industry standard ULPI interface uses a method of in-band signaling and status byte transfers between the Link and PHY, to facilitate a USB session. By using in-band signaling and status byte transfers the ULPI interface requires only 12 pins.

The USB3311 uses SMSC’s “wrapper-less” technology to implement the ULPI interface. This “wrapper-less” technology allows the PHY to achieve a low latency transmit and receive time. SMSC’s low latency transceiver allows an existing UTMI Link to be reused by adding a UTMI to ULPI bridge. By adding a bridge to the ASIC the existing and proven UTMI Link IP can be reused.

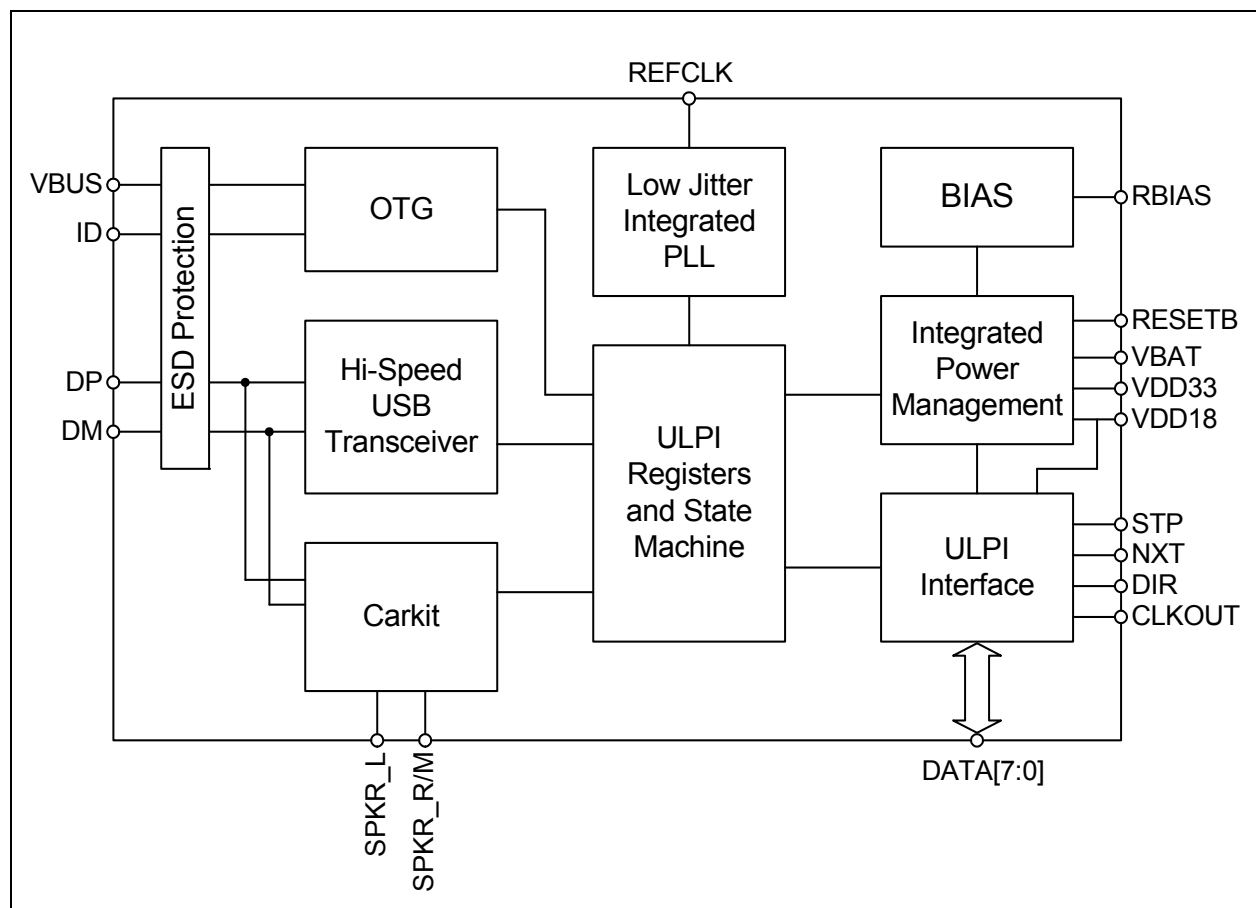


Figure 1 USB3311 Block Diagram

The USB3311 is designed to run with a 26MHz reference clock. By using a reference clock from the Link the USB3311 is able to remove the cost of a crystal reference from the design.

The USB3311 includes a integrated 3.3V LDO regulator to generate its own supply from power applied at the **VBAT** pin. The voltage on the **VBAT** pin can range from 3.1 to 5.5V. The regulator dropout voltage is less than 100mV which allows the PHY to continue USB signaling when the voltage on **VBAT** drops to 3.1V. The USB transceiver will continue to operate at lower voltages, although some parameters may be outside the limits of the USB specifications. If the user would like to provide a 3.3V supply to the USB3311, the **VBAT** and **VDD33** pins should be connected together.

The USB3311 also includes integrated pull-up resistors that can be used for detecting the attachment of a USB Charger. By sensing the attachment to a USB Charger, a product using the USB3311 can charge its battery at more than the 500mA allowed when charging from a USB Host.

The USB3311 also includes support for USB audio modes. The user can program the PHY into UART or audio mode while in synchronous mode.

In USB UART mode, the USB3311 **DP** and **DM** pins are redefined to enable pass-through of asynchronous serial data. The USB3311 can only enter UART mode when the user programs the part into this mode.

In USB audio mode, the **DP** pin is shorted to the **SPKR\_R/M** pin with a switch. The **DM** pin is shorted to the **SPKR\_L** pin. These switches are on when the **RESETB** pin of the USB3311 is asserted. Audio signals may be transferred over the USB cable. In addition to audio signals, the switches can also be used to connect Full Speed USB from another PHY onto the USB cable.

# USB3311 Pin Locations and Descriptions

## Package Diagram with Pin Locations

The pinout below is viewed from the top of the package.

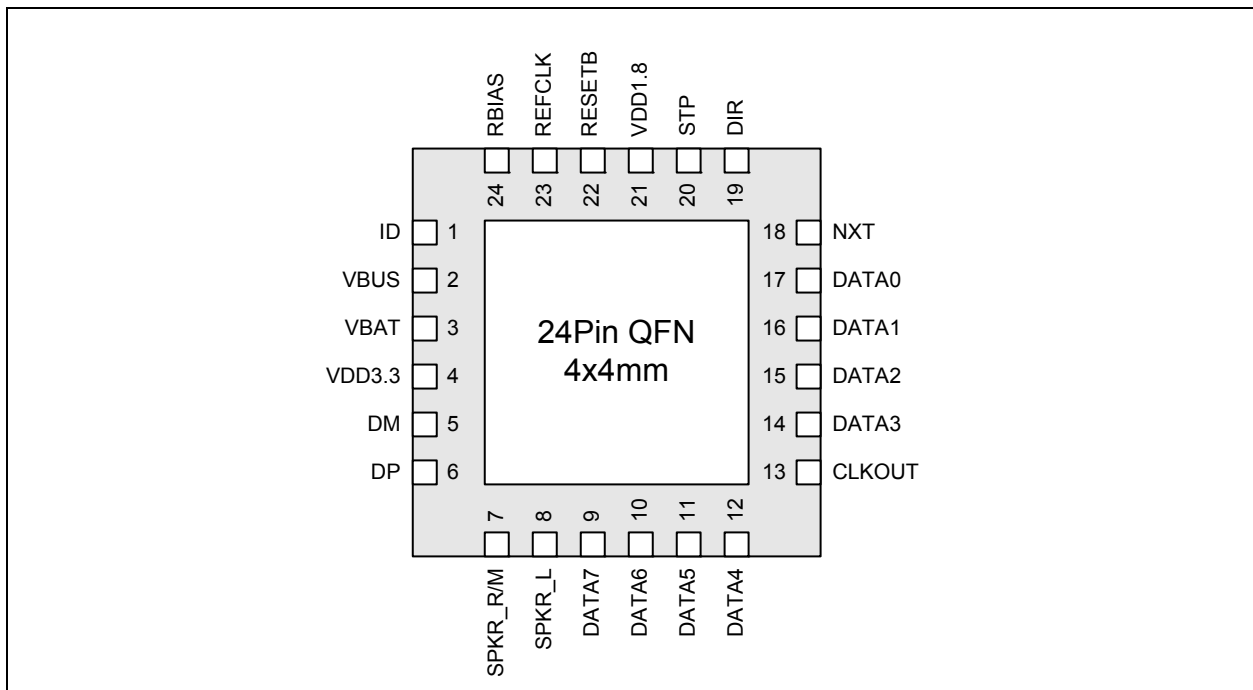


Figure 1.1 USB3311 QFN Pinout - Top View

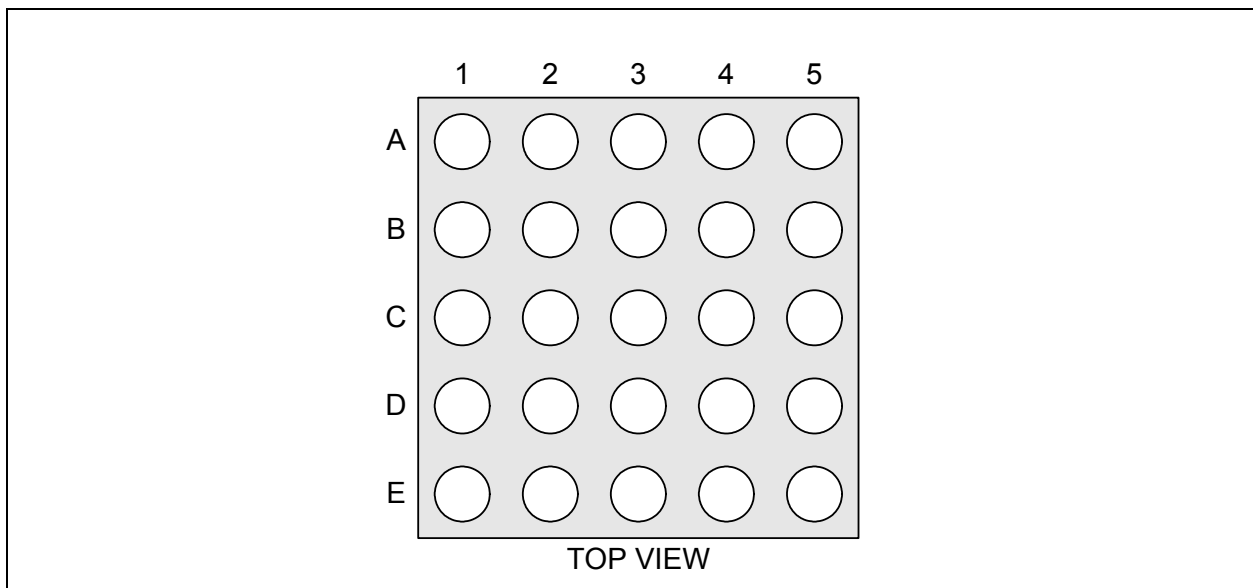


Figure 2 USB3311 VFBGA Pinout - Top View

## Pin Definitions

The following table details the pin definitions for the figure above.

**Table 1 USB3311 Pin Description**

| PIN/<br>BALL | NAME     | DIRECTION/<br>TYPE | ACTIVE<br>LEVEL | DESCRIPTION  |
|--------------|----------|--------------------|-----------------|--|
| 1<br>B1      | ID       | Input,<br>Analog   | N/A             | <b>ID</b> pin of the USB cable. For non-OTG applications this pin can be floated. For an A-Device <b>ID</b> is grounded. For a B-Device <b>ID</b> is floated.  |
| 2<br>C1      | VBUS     | I/O,<br>Analog     | N/A             | <b>VBUS</b> pin of the USB cable. This pin is used for the Vbus comparator inputs and for Vbus pulsing during session request protocol.  |
| 3<br>C2      | VBAT     | Power              | N/A             | Regulator input. The regulator supply can be from 5.5V to 3.1V.  |
| 4<br>D2      | VDD3.3   | Power              | N/A             | 3.3V Regulator Output. A 2.2uF (<1 ohm ESR) bypass capacitor to ground is required for regulator stability. The bypass capacitor should be placed as close as possible to the USB3311.   |
| 5<br>D1      | DM       | I/O,<br>Analog     | N/A             | D- pin of the USB cable.   |
| 6<br>E1      | DP       | I/O,<br>Analog     | N/A             | D+ pin of the USB cable.   |
| 7<br>E2      | SPKR_R/M | I/O,<br>Analog     | N/A             | USB switch in/out for DP signals   |
| 8<br>E3      | SPKR_L   | I/O,<br>Analog     | N/A             | USB switch in/out for DM signals   |
| 9<br>D3      | DATA[7]  | I/O,<br>CMOS       | N/A             | ULPI bi-directional data bus. <b>DATA[7]</b> is the MSB.   |
| 10<br>E4     | DATA[6]  | I/O,<br>CMOS       | N/A             | ULPI bi-directional data bus.  |
| 11<br>D4     | DATA[5]  | I/O,<br>CMOS       | N/A             | ULPI bi-directional data bus.  |
| 12<br>E5     | DATA[4]  | I/O,<br>CMOS       | N/A             | ULPI bi-directional data bus.  |
| 13<br>D5     | CLKOUT   | Output,<br>CMOS    | N/A             | 60MHz reference clock output. All ULPI signals are driven synchronous to the rising edge of this clock.<br><br>The system must not drive voltage on the <b>CLKOUT</b> pin following POR or hardware reset that exceeds the value of $V_{IH\_ED}$ . |
| 14<br>C4     | DATA[3]  | I/O,<br>CMOS       | N/A             | ULPI bi-directional data bus.  |

Table 1 USB3311 Pin Description (continued)

| PIN/<br>BALL | NAME    | DIRECTION/<br>TYPE | ACTIVE<br>LEVEL | DESCRIPTION   |
|--------------|---------|--------------------|-----------------|---|
| 15<br>C5     | DATA[2] | I/O,<br>CMOS       | N/A             | ULPI bi-directional data bus.   |
| 16<br>B4     | DATA[1] | I/O,<br>CMOS       | N/A             | ULPI bi-directional data bus.   |
| 17<br>B5     | DATA[0] | I/O,<br>CMOS       | N/A             | ULPI bi-directional data bus. <b>DATA[0]</b> is the LSB.  |
| 18<br>A5     | NXT     | Output,<br>CMOS    | High            | The PHY asserts <b>NXT</b> to throttle the data. When the Link is sending data to the PHY, <b>NXT</b> indicates when the current byte has been accepted by the PHY. The Link places the next byte on the data bus in the following clock cycle.               |
| 19<br>A4     | DIR     | Output,<br>CMOS    | N/A             | Controls the direction of the data bus. When the PHY has data to transfer to the Link, it drives <b>DIR</b> high to take ownership of the bus. When the PHY has no data to transfer it drives <b>DIR</b> low and monitors the bus for commands from the Link. |
| 20<br>A3     | STP     | Input,<br>CMOS     | High            | The Link asserts <b>STP</b> for one clock cycle to stop the data stream currently on the bus. If the Link is sending data to the PHY, <b>STP</b> indicates the last byte of data was on the bus in the previous cycle.  |
| 21<br>B3     | VDD1.8  | Power              | N/A             | External 1.8V Supply input pin. This pad needs to be bypassed with a 0.1uF capacitor to ground, placed as close as possible to the USB3311.   |
| 22<br>B2     | RESETB  | Input,<br>CMOS,    | Low             | When low, the part is suspended with all of the I/O tri-stated. When high the USB3311 will operate as a normal ULPI device.   |
| 23<br>A2     | REFCLK  | Input,<br>CMOS     | N/A             | 26MHz Reference Clock input.  |
| 24<br>A1     | RBIAS   | Analog,<br>CMOS    | N/A             | Bias Resistor pin. This pin requires an 8.06k $\Omega$ ( $\pm$ 1%) resistor to ground, placed as close as possible to the USB3311.  |
| FLAG<br>C3   | GND     | Ground             | N/A             | Ground.<br><u>QFN only:</u> The flag should be connected to the ground plane with a via array under the exposed flag. This is the main ground for the IC.   |

# Application Diagrams

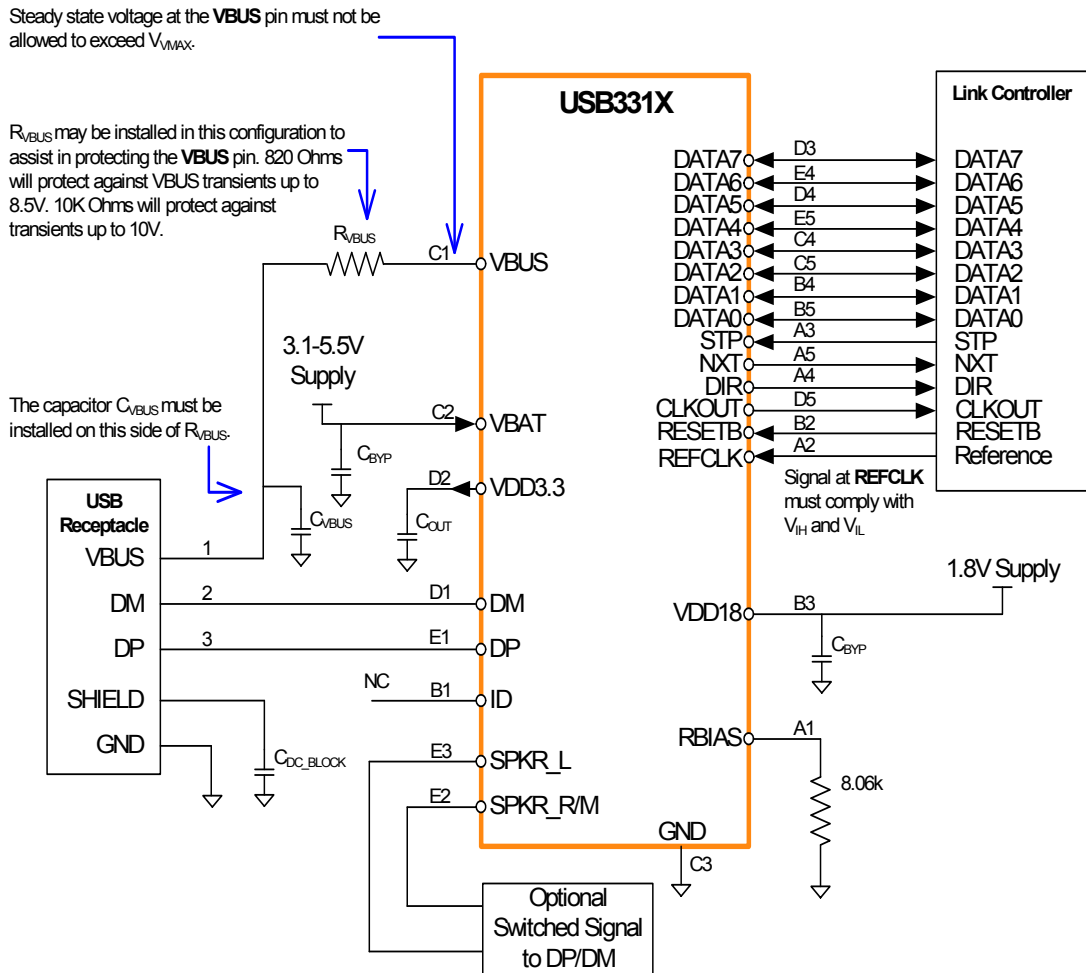


Figure 3 USB3311 BGA Application Diagram (Device)



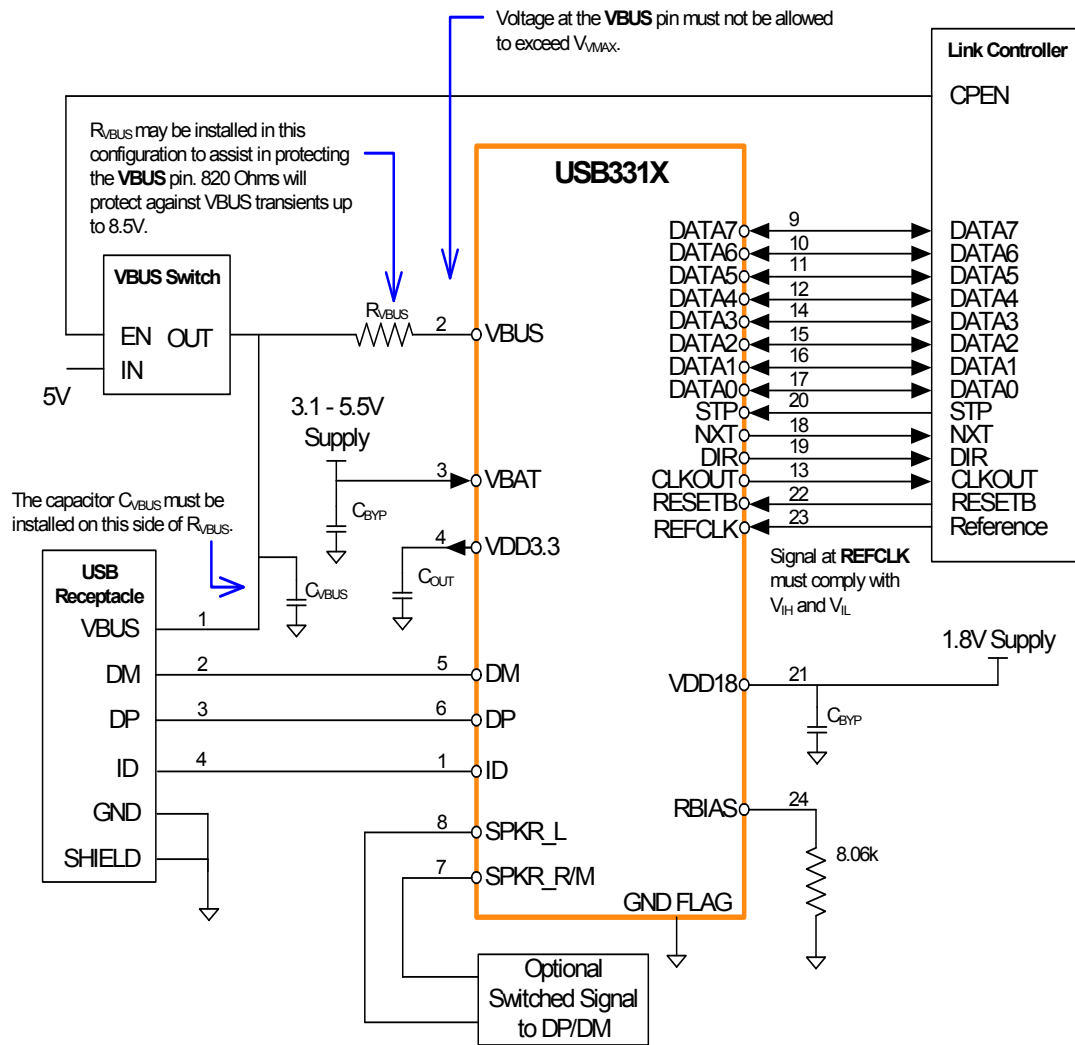


Figure 3.1 USB3311 QFN Application Diagram (Host or OTG)

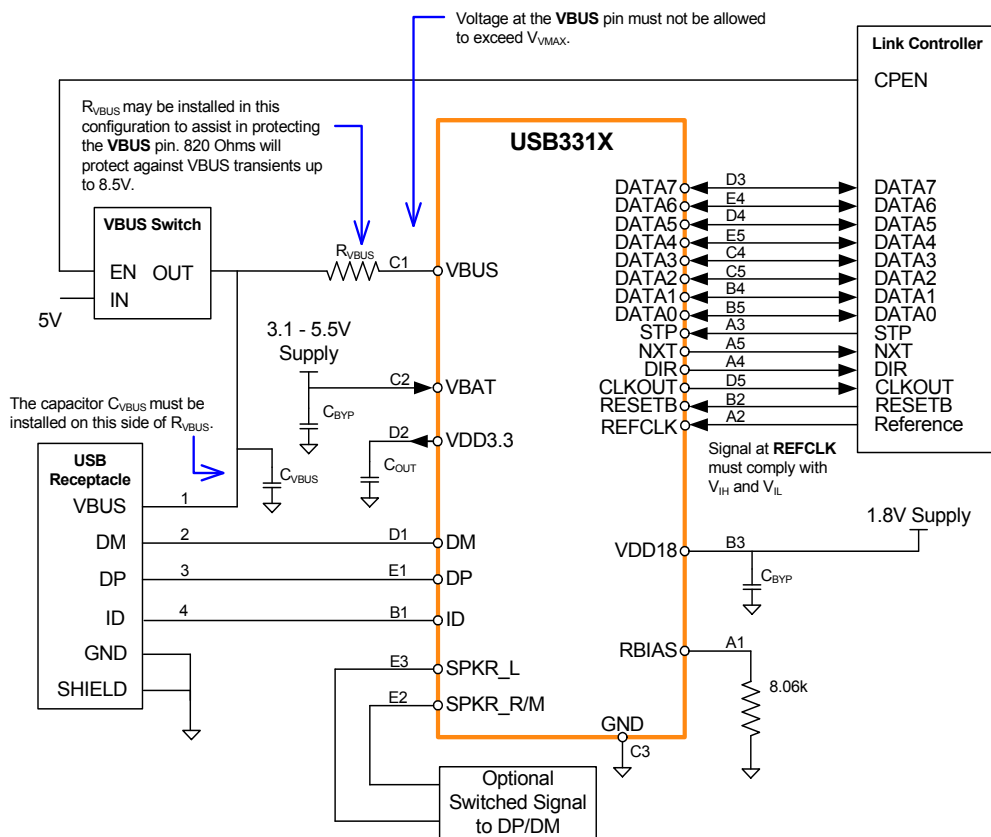


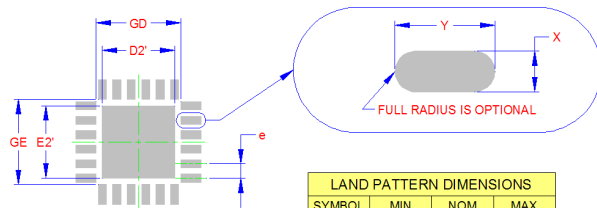
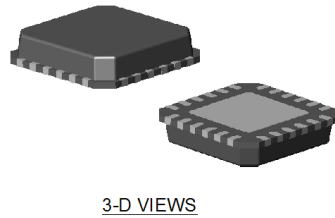
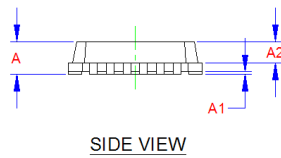
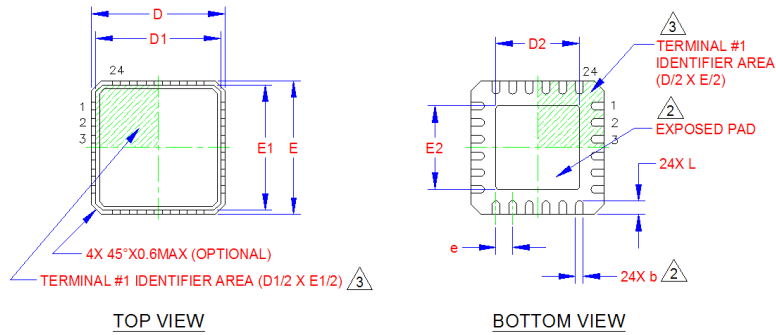
Figure 4 USB3311 BGA Application Diagram (Host or OTG)

# Package Outline

Revision 2.1 (06-10-10)

PRODUCT PREVIEW

SMSC USB3311 REV C



THE USER MAY MODIFY THE PCB LAND PATTERN DIMENSIONS BASED ON THEIR EXPERIENCE AND/OR PROCESS CAPABILITY

| LAND PATTERN DIMENSIONS |      |      |      |
|-------------------------|------|------|------|
| SYMBOL                  | MIN  | NOM  | MAX  |
| GD/GE                   | 2.93 | -    | -    |
| D2'/E2'                 | -    | 2.50 | -    |
| X                       | -    | -    | 0.28 |
| Y                       | -    | -    | 0.69 |
| e                       | 0.50 |      |      |

RECOMMENDED PCB LAND PATTERN

| COMMON DIMENSIONS |          |      |      |      |                        |
|-------------------|----------|------|------|------|------------------------|
| SYMBOL            | MIN      | NOM  | MAX  | NOTE | REMARK                 |
| A                 | 0.70     | -    | 1.00 | -    | OVERALL PACKAGE HEIGHT |
| A1                | 0        | 0.02 | 0.05 | -    | STANDOFF               |
| A2                | -        | -    | 0.90 | -    | MOLD CAP THICKNESS     |
| D/E               | 3.85     | 4.00 | 4.15 | -    | X/Y BODY SIZE          |
| D1/E1             | 3.55     | -    | 3.95 | -    | X/Y MOLD CAP SIZE      |
| D2/E2             | 2.40     | 2.50 | 2.60 | 2    | X/Y EXPOSED PAD SIZE   |
| L                 | 0.30     | -    | 0.50 | -    | TERMINAL LENGTH        |
| b                 | 0.18     | 0.25 | 0.30 | 2    | TERMINAL WIDTH         |
| e                 | 0.50 BSC |      |      | -    | TERMINAL PITCH         |

**NOTES:**

1. ALL DIMENSIONS ARE IN MILLIMETERS.
2. POSITION TOLERANCE OF EACH TERMINAL AND EXPOSED PAD IS  $\pm 0.05\text{mm}$  AT MAXIMUM MATERIAL CONDITION. DIMENSIONS "b" APPLIES TO PLATED TERMINALS AND IT IS MEASURED BETWEEN 0.15 AND 0.30 mm FROM THE TERMINAL TIP.
3. DETAILS OF TERMINAL #1 IDENTIFIER ARE OPTIONAL BUT MUST BE LOCATED WITHIN THE AREA INDICATED.

Hi-Speed USB Transceiver with 1.8V ULPI Interface - 26MHz Reference Clock

Figure 4.1 24-pin QFN, 4x4mm Body, 0.5mm Pitch

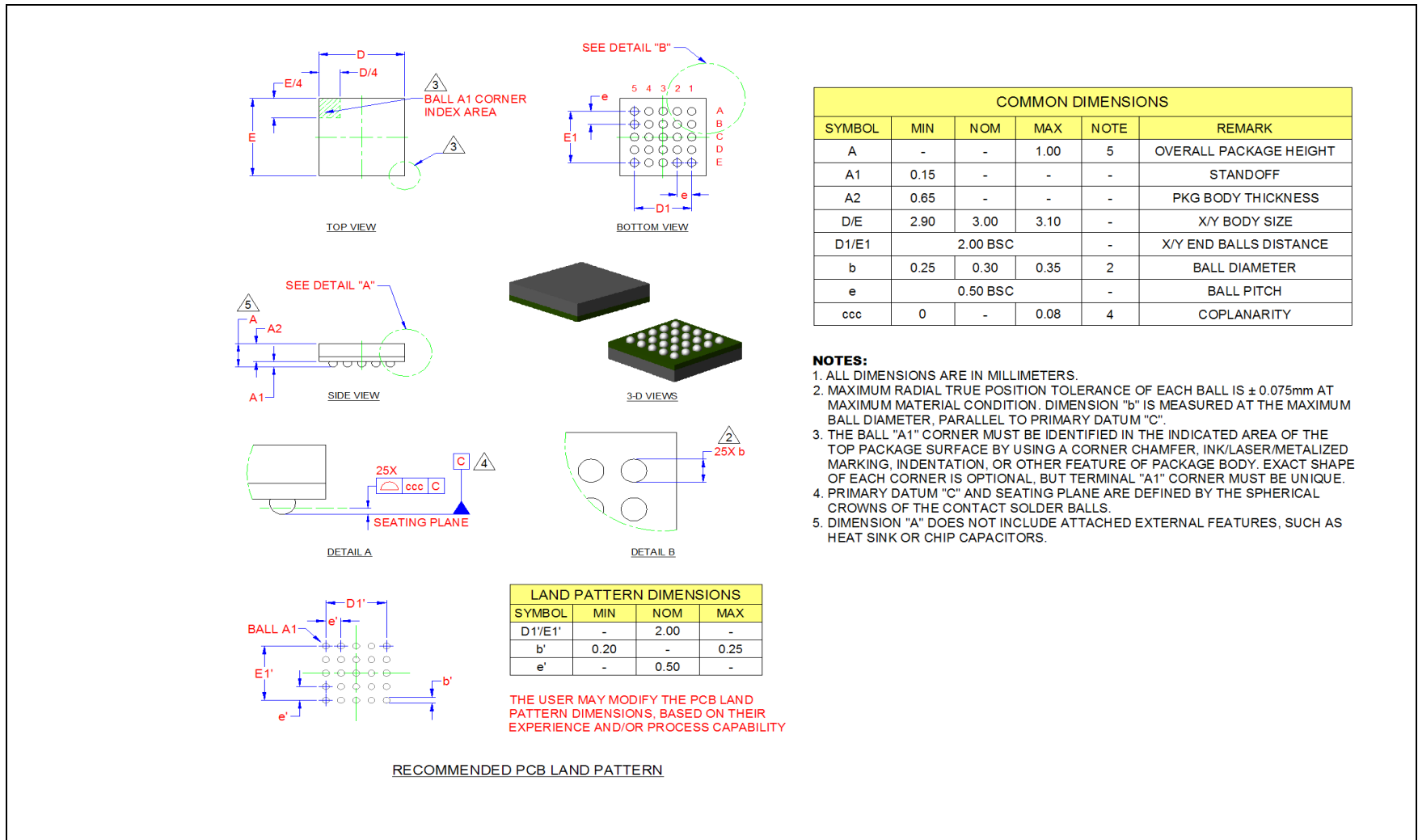


Figure 5 25-Pin VFBGA, 3x3mm Body, 0.5mm Pitch



**Стандарт  
Электрон  
Связь**

Мы молодая и активно развивающаяся компания в области поставок электронных компонентов. Мы поставляем электронные компоненты отечественного и импортного производства напрямую от производителей и с крупнейших складов мира.

Благодаря сотрудничеству с мировыми поставщиками мы осуществляем комплексные и плановые поставки широчайшего спектра электронных компонентов.

Собственная эффективная логистика и склад в обеспечивает надежную поставку продукции в точно указанные сроки по всей России.

Мы осуществляем техническую поддержку нашим клиентам и предпродажную проверку качества продукции. На все поставляемые продукты мы предоставляем гарантию .

Осуществляем поставки продукции под контролем ВП МО РФ на предприятия военно-промышленного комплекса России , а также работаем в рамках 275 ФЗ с открытием отдельных счетов в уполномоченном банке. Система менеджмента качества компании соответствует требованиям ГОСТ ISO 9001.

Минимальные сроки поставки, гибкие цены, неограниченный ассортимент и индивидуальный подход к клиентам являются основой для выстраивания долгосрочного и эффективного сотрудничества с предприятиями радиоэлектронной промышленности, предприятиями ВПК и научно-исследовательскими институтами России.

С нами вы становитесь еще успешнее!

**Наши контакты:**

**Телефон:** +7 812 627 14 35

**Электронная почта:** [sales@st-electron.ru](mailto:sales@st-electron.ru)

**Адрес:** 198099, Санкт-Петербург,  
Промышленная ул, дом № 19, литера Н,  
помещение 100-Н Офис 331