

PLEASE CHECK WWW.MOLEX.COM FOR LATEST PART INFORMATION

Part Number: [0010844062](#)
Status: **Active**
Description: 6.35mm (.250) Pitch MLX Power Connector Receptacle, 2.13mm (.084") Contact Diameter, Vertical, PA Polyamide (Nylon) 6/6, Tin (Sn), White, 6 Circuits

Documents:

[3D Model](#) [Product Specification PS-42022-0001 \(PDF\)](#)
[Drawing \(PDF\)](#) [RoHS Certificate of Compliance \(PDF\)](#)

Agency Certification

CSA LR19980
 UL E29179

General

Product Family PCB Receptacles
 Series [42002](#)
 Application Wire-to-Board
 Comments High Vibration Application
 Product Name MLX™

Physical

Circuits (Loaded) 6
 Color - Resin Natural
 Durability (mating cycles max) 50
 Flammability 94V-2
 Glow-Wire Compliant No
 Lock to Mating Part Yes
 Material - Metal Phosphor Bronze
 Material - Plating Mating Tin
 Material - Plating Termination Tin
 Material - Resin Nylon
 Number of Rows 3
 Orientation Vertical
 PC Tail Length (in) 0.169 In
 PC Tail Length (mm) 4.30 mm
 PCB Retention None
 PCB Thickness Recommended (in) 0.062 In
 PCB Thickness Recommended (mm) 1.60 mm
 Packaging Type Bag
 Pitch - Mating Interface (in) 0.250 In
 Pitch - Mating Interface (mm) 6.35 mm
 Polarized to PCB Yes
 Surface Mount Compatible (SMC) No
 Temperature Range - Operating -55°C to +105°C
 Termination Interface: Style Through Hole

Electrical

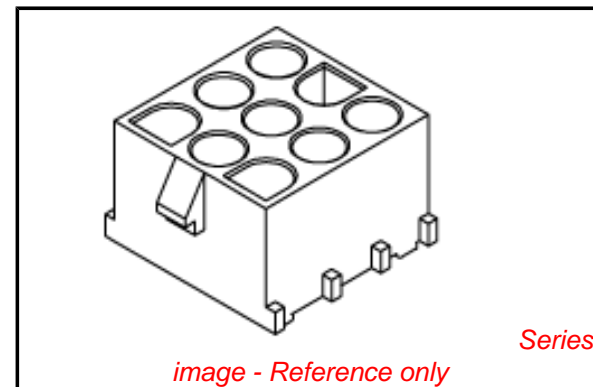
Current - Maximum per Contact 13.5A
 Voltage - Maximum 600V

Solder Process Data

Duration at Max. Process Temperature (seconds) 10
 Lead-free Process Capability Wave Capable (TH only)
 Process Temperature max. C 260

Material Info

Old Part Number A-42002-6A2A1



EU RoHS

ELV and RoHS Compliant
REACH SVHC Contains SVHC: No
Halogen-Free Status
Not Reviewed

China RoHS



Need more information on product environmental compliance?

Email productcompliance@molex.com
 For a multiple part number RoHS Certificate of Compliance, [click here](#)

Please visit the [Contact Us](#) section for any non-product compliance questions.

Search Parts in this Series

[42002Series](#)

Mates With

[42021](#) , [42023](#)

Reference - Drawing Numbers

Packaging Specification

Product Specification

Sales Drawing

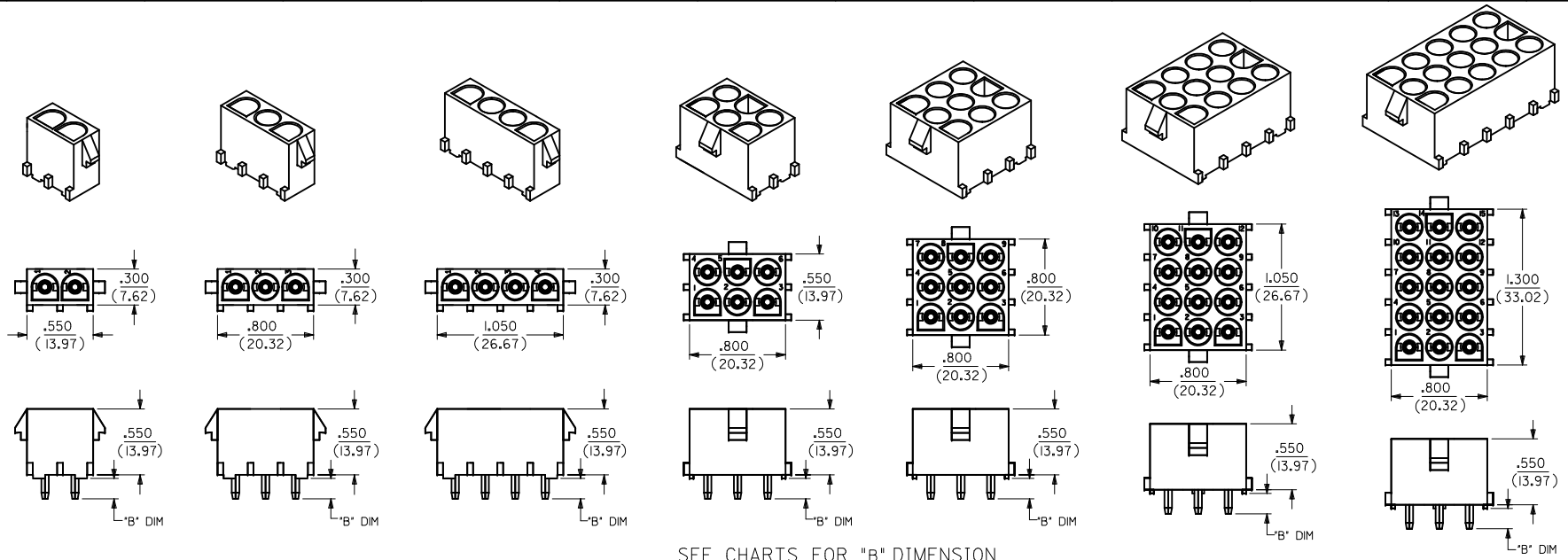
PK-43255-002

PS-42022-0001

SDA-42002-*****

This document was generated on 06/07/2010

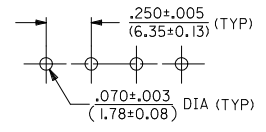
PLEASE CHECK WWW.MOLEX.COM FOR LATEST PART INFORMATION



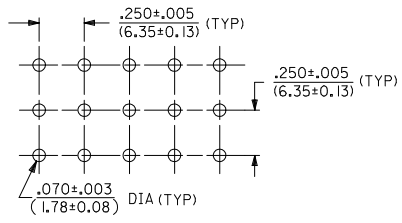
SEE CHARTS FOR "B" DIMENSION

P.C. BOARD MOUNTING DIMENSIONS

2, 3, & 4 POSITION HEADER ASSEMBLIES



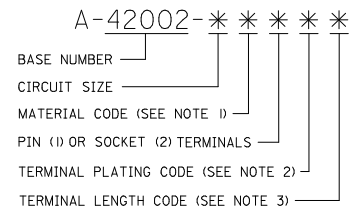
6, 9, 12 & 15 POSITION HEADER ASSEMBLIES



NOTES:

- 1) MATERIAL CODES:
 - *A*= NYLON 6/6, 94V-2, NATURAL
 - *C*= PLOYESTER, 94V-0, WHITE/NATURAL
 - *D*= NYLON V-2
 - COLOUR:BLACK(ZYTEL 101F)
 - *E*= NYLON V-2
 - COLOUR:NATURAL
 - GLOWWIRE COMPATIBLE WITH CTI OF 325V
- 2) PLATING CODES:
 - A = ES-88-P921
- 3) TERMINAL LENGTH CODES:
 - I= TERMINAL FOR .062/(1.57) THICK PC BOARD
- 4) DIMENSIONS ARE FOR REFERENCE ONLY UNLESS INDICATED OTHERWISE.
- 5) HEADER ASSEMBLY HOUSINGS MATE WITH : PLUG HOUSINGS, .084/(2.13) DIA. SERIES: (42021-***)
- 6) CONTACTS ARE ON .250/(6.35) GRID CENTERLINE SPACING.

LEGEND:



| | | | | | | | | | | | |
|---|---|--|--|----------------------------------|--------------------|---|----------------------|---------------------------|--------------------|--|--|
| ENTER DESCRIPTION EC NO: 12010-0067 DRAWNS: S01 CHKD: GJLOWE APPR: KPRASAD 2009/11/02 2010/01/27 2010/01/27 | QUALITY SYMBOLS ∇=0 ∇=0 ∇=0 | GENERAL TOLERANCES (UNLESS SPECIFIED) | | DIMENSION STYLE IN/MM | | SCALE NTS | DESIGN UNITS INCH | THIRD ANGLE PROJECTION | | | |
| | | 4 PLACES ±--- ±--- 3 PLACES ±--- ±.005 2 PLACES ±0.13 ±.010 1 PLACE ±0.25 ±--- ANGULAR ±---° | | DRAWN BY SSUDHIR | DATE 2004/06/08 | TITLE HEADER HOUSING ASSEMBLY .084/(2.13)DIA.SERIES | | | | | |
| | | DRAFT WHERE APPLICABLE MUST REMAIN WITHIN DIMENSIONS | | CHECKED BY GJLOWE | DATE 2004/06/08 | APPROVED BY GJLOWE | | DATE 2004/06/08 | MOLEX INCORPORATED | | |
| | | | | MATERIAL NO. SEE CHART | | DOCUMENT NO. SDA-42002-***** | | SHEET NO. 1 OF 2 | | | |

| PART NO. | ENG. NO. | CIRCUIT SIZE | MATERIAL (SEE NOTE 1) | INSULATOR PART NO. | PLATING (SEE NOTE 2) | TERMINAL PART NO. | "B" DIM ±.015 |
|------------|----------------|--------------|-----------------------|--------------------|----------------------|-------------------|---------------|
| 10-84-4020 | A-42002-2A1A1 | 2 | A | 42002-2A | A | 42005-P921A | .17/(4,3) |
| 10-84-5020 | A-42002-2C1A1 | | C | 42002-2C | A | 42005-P921A | |
| 10-84-4022 | A-42002-2A2A1 | | A | 42002-2A | A | 42006-P921A | |
| 10-84-5021 | A-42002-2C2A1 | | C | 42002-2C | A | 42006-P921A | |
| 367590101 | 36759-0101 | | D | 366480042 | A | 42005-P921A | |
| 367590141 | 36759-0141 | | D | 366480042 | A | 42006-P921A | |
| 367570101 | 36757-0101 | E | 367570001 | A | 42005-P921A | | |
| 367570141 | 36757-0141 | E | 367570001 | A | 42006-P921A | | |
| 10-84-4030 | A-42002-3A1A1 | 3 | A | 42002-3A | A | 42005-P921A | .17/(4,3) |
| 10-84-5030 | A-42002-3C1A1 | | C | 42002-3C | A | 42005-P921A | |
| 10-84-4032 | A-42002-3A2A1 | | A | 42002-3A | A | 42006-P921A | |
| 10-84-5031 | A-42002-3C2A1 | | C | 42002-3C | A | 42006-P921A | |
| 367590102 | 36759-0102 | | D | 366480043 | A | 42005-P921A | |
| 367590142 | 36759-0142 | | D | 366480043 | A | 42006-P921A | |
| 367570102 | 36757-0102 | E | 367570002 | A | 42005-P921A | | |
| 367570142 | 36757-0142 | E | 367570002 | A | 42006-P921A | | |
| 10-84-4040 | A-42002-4A1A1 | 4 | A | 42002-4A | A | 42005-P921A | .17/(4,3) |
| 10-84-5040 | A-42002-4C1A1 | | C | 42002-4C | A | 42005-P921A | |
| 10-84-4042 | A-42002-4A2A1 | | A | 42002-4A | A | 42006-P921A | |
| 10-84-5041 | A-42002-4C2A1 | | C | 42002-4C | A | 42006-P921A | |
| 367590103 | 36759-0103 | | D | 366480044 | A | 42005-P921A | |
| 367590143 | 36759-0143 | | D | 366480044 | A | 42006-P921A | |
| 367570103 | 36757-0103 | E | 367570003 | A | 42005-P921A | | |
| 367570143 | 36757-0143 | E | 367570003 | A | 42006-P921A | | |
| 10-84-4060 | A-42002-6A1A1 | 6 | A | 42002-6A | A | 42005-P921A | .17/(4,3) |
| 10-84-5060 | A-42002-6C1A1 | | C | 42002-6C | A | 42005-P921A | |
| 10-84-4062 | A-42002-6A2A1 | | A | 42002-6A | A | 42006-P921A | |
| 10-84-5061 | A-42002-6C2A1 | | C | 42002-6C | A | 42006-P921A | |
| 367590104 | 36759-0104 | | D | 366480045 | A | 42005-P921A | |
| 367590144 | 36759-0144 | | D | 366480045 | A | 42006-P921A | |
| 367570104 | 36757-0104 | E | 367570004 | A | 42005-P921A | | |
| 367570144 | 36757-0144 | E | 367570004 | A | 42006-P921A | | |
| 10-84-4090 | A-42002-9A1A1 | 9 | A | 42002-9A | A | 42005-P921A | .17/(4,3) |
| 10-84-5090 | A-42002-9C1A1 | | C | 42002-9C | A | 42005-P921A | |
| 10-84-4092 | A-42002-9A2A1 | | A | 42002-9A | A | 42006-P921A | |
| 10-84-5091 | A-42002-9C2A1 | | C | 42002-9C | A | 42006-P921A | |
| 367590105 | 36759-0105 | | D | 366480046 | A | 42005-P921A | |
| 367590145 | 36759-0145 | | D | 366480046 | A | 42006-P921A | |
| 367570105 | 36757-0105 | E | 367570005 | A | 42005-P921A | | |
| 367570145 | 36757-0145 | E | 367570005 | A | 42006-P921A | | |
| 10-84-4120 | A-42002-12A1A1 | 12 | A | 42002-12A | A | 42005-P921A | .17/(4,3) |
| 10-84-5120 | A-42002-12C1A1 | | C | 42002-12C | A | 42005-P921A | |
| 10-84-4122 | A-42002-12A2A1 | | A | 42002-12A | A | 42006-P921A | |
| 10-84-5121 | A-42002-12C2A1 | | C | 42002-12C | A | 42006-P921A | |
| 367590106 | 36759-0106 | | D | 366480047 | A | 42005-P921A | |
| 367590146 | 36759-0146 | | D | 366480047 | A | 42006-P921A | |
| 367570106 | 36757-0106 | E | 367570006 | A | 42005-P921A | | |
| 367570146 | 36757-0146 | E | 367570006 | A | 42006-P921A | | |
| 10-84-4150 | A-42002-15A1A1 | 15 | A | 42002-15A | A | 42005-P921A | .17/(4,3) |
| 10-84-5150 | A-42002-15C1A1 | | C | 42002-15C | A | 42005-P921A | |
| 10-84-4152 | A-42002-15A2A1 | | A | 42002-15A | A | 42006-P921A | |
| 10-84-5151 | A-42002-15C2A1 | | C | 42002-15C | A | 42006-P921A | |
| 367590107 | 36759-0107 | | D | 366480057 | A | 42005-P921A | |
| 367590147 | 36759-0147 | | D | 366480057 | A | 42006-P921A | |
| 367570107 | 36757-0107 | E | 367570007 | A | 42005-P921A | | |
| 367570147 | 36757-0147 | E | 367570007 | A | 42006-P921A | | |

| | | | | | | | | | | |
|---|---|---|--|--------------------------------------|--|---|----------------------|---------------------------------|--|---------------------|
| ENTER DESCRIPTION ELEC NO: 2010-0067 2009/11/02 DRWNS501 CHKDGJLWE APPR:KFRASAD 2010/01/27 | QUALITY SYMBOLS ∇=0 ∇=0 ∇=0 | GENERAL TOLERANCES (UNLESS SPECIFIED) mm INCH | | DIMENSION STYLE IN/MM | | SCALE NTS | DESIGN UNITS INCH | THIRD ANGLE PROJECTION | | |
| | | 4 PLACES ± --- ± --- 3 PLACES ± --- ± .005 2 PLACES ± 0.13 ± .010 1 PLACE ± 0.25 ± --- | | DRAWN BY DATE SSUDHIR 2004/06/08 | | TITLE HEADER HOUSING ASSEMBLY .084/(2.13)DIA.SERIES | | MOLEX INCORPORATED | | |
| | | ANGULAR ± ---° | | CHECKED BY DATE GJLOWE 2004/06/08 | | APPROVED BY DATE GJLOWE 2004/06/08 | | DOCUMENT NO. SDA-42002-***** | | SHEET NO. 2 OF 2 |
| | | DRAFT WHERE APPLICABLE MUST REMAIN WITHIN DIMENSIONS | | SEE CHART | | THIS DRAWING CONTAINS INFORMATION THAT IS PROPRIETARY TO MOLEX INCORPORATED AND SHOULD NOT BE USED WITHOUT WRITTEN PERMISSION | | | | |



Стандарт Электрон Связь

Мы молодая и активно развивающаяся компания в области поставок электронных компонентов. Мы поставляем электронные компоненты отечественного и импортного производства напрямую от производителей и с крупнейших складов мира.

Благодаря сотрудничеству с мировыми поставщиками мы осуществляем комплексные и плановые поставки широчайшего спектра электронных компонентов.

Собственная эффективная логистика и склад в обеспечивает надежную поставку продукции в точно указанные сроки по всей России.

Мы осуществляем техническую поддержку нашим клиентам и предпродажную проверку качества продукции. На все поставляемые продукты мы предоставляем гарантию .

Осуществляем поставки продукции под контролем ВП МО РФ на предприятия военно-промышленного комплекса России , а также работаем в рамках 275 ФЗ с открытием отдельных счетов в уполномоченном банке. Система менеджмента качества компании соответствует требованиям ГОСТ ISO 9001.

Минимальные сроки поставки, гибкие цены, неограниченный ассортимент и индивидуальный подход к клиентам являются основой для выстраивания долгосрочного и эффективного сотрудничества с предприятиями радиоэлектронной промышленности, предприятиями ВПК и научно-исследовательскими институтами России.

С нами вы становитесь еще успешнее!

Наши контакты:

Телефон: +7 812 627 14 35

Электронная почта: sales@st-electron.ru

Адрес: 198099, Санкт-Петербург,
Промышленная ул, дом № 19, литера Н,
помещение 100-Н Офис 331