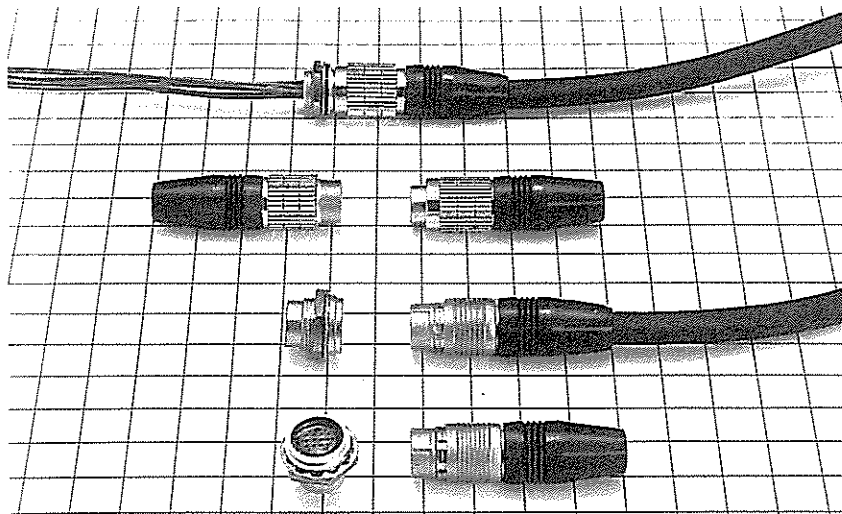


HRS® HR25 Series

World's Smallest Round Type Multiple Contact Connectors

■ GENERAL

The HR25 Series is the world's smallest high-density round type connector. It was developed using Hirose Electric's long experience with miniaturization technology in answer to the continuing need for the ever greater miniaturization and high-density construction of a wide variety of electronic equipment.



■ FEATURES

- (1) The HR25 is the world's smallest high-density connector.
These connectors fit a maximum of 20 contacts into a maximum outside diameter of 12.5 mm.
The lock mechanism is available in a screw lock type and a push-pull lock type.
- (2) The structure is such that the pins will not become misshapen even if the male pins are inserted incorrectly.
The contacts of the plug and the male contacts of the receptacle are designed in such a way that even if the two pieces are engaged, the safe positioning of the male contacts will not result in a collision between contacts.
- (3) These connectors prevent water from entering the interior of the set.
Installing a rubber gasket to the panel mounting part of the receptacle prevents water from entering the interior of the set.
- (4) Contacts are gold plated as a standard to maintain contact stability.
- (5) The number of contacts is available in 4, 6, 8, 12, 16, or 20 contacts allowing these connectors to be used over a wide range of applications.
- (6) Available in a variety of types.
In addition to the soldered wiring type, these connectors are available in the crimp-style wiring type and board direct mounting type allowing the connector to be matched to the job.

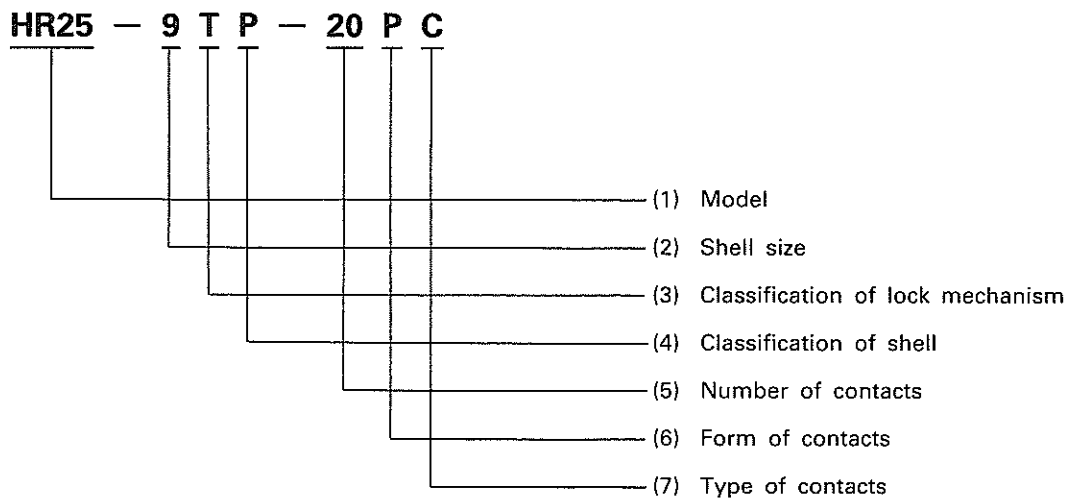
■ APPLICATIONS

CCD cameras, measuring instruments, wide variety of sensors, mobile radio, medical equipment, etc.

MAJOR SPECIFIED MATERIALS

Part Name	Material	Finish
Male contacts	Phosphor bronze	Gold and partial gold plating
Female contacts	Phosphor bronze	Partial gold plating
Insulation	PPS resin	(Black)
Shell	Brass and zinc alloy	Nickel plating

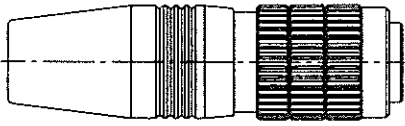
STRUCTURE OF THE PRODUCT NUMBER



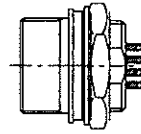
- (1) Model: Indicates the HR25 Series.
- (2) Shell size: Indicates the outer diameter of the engaging portion of the plug.
- (3) Classification of lock mechanism: Indicated as described below.
 T: Screw lock system No symbol: Push-pull lock system
- (4) Classification of shell: As described below.
 P: Plug R: Receptacle J: Jack
- (5) Number of contacts
- (6) Form of contacts: As described below:
 P: Male contacts S: Female contacts
- (7) Type of contacts: The wiring system used or the type of contacts are classified in alphabetical order:
 Example. C: Crimp-style contacts

■ Diagrams of Connectors in Combination

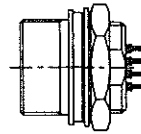
◇ Screw Lock Type



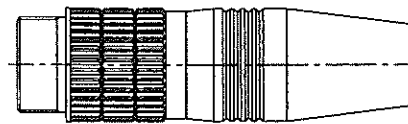
Solder type plug (HR25-※TP-※※)
Crimp type plug (HR25-9TP-※※C)



Solder type receptacle (HR25-※TR-※※)
Crimp type receptacle (HR25-9TR-※※C)



Dip type receptacle (HR25-※TR-※※A)



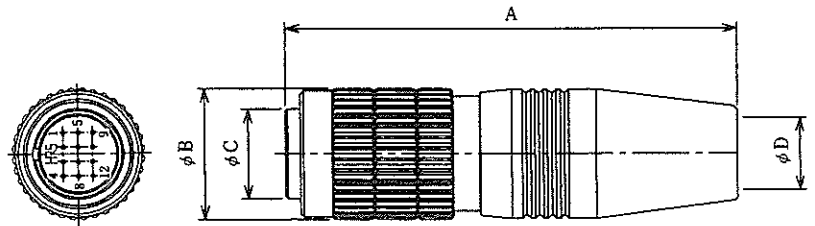
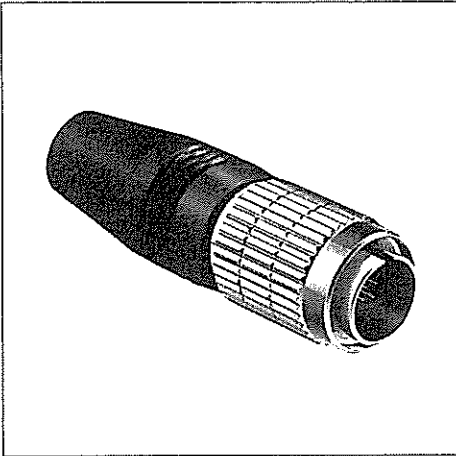
Solder type jack (HR25-※TJ-※※)
Crimp type jack (HR25-9TJ-※※C)

When the plug is a male contact (i.e., pin insert side) product, a female contact (i.e., socket insert side) product should be used for receptacles and jacks. Conversely, when the plug is a female contact (i.e., socket insert side) product, a male contact (i.e., pin insert side) product should be used for receptacles and jacks.

◎ Screw Lock Type

Solder type

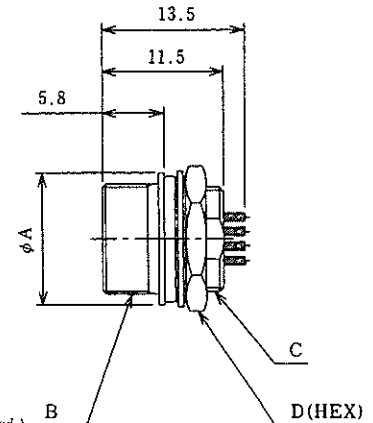
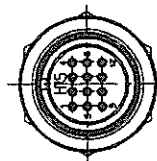
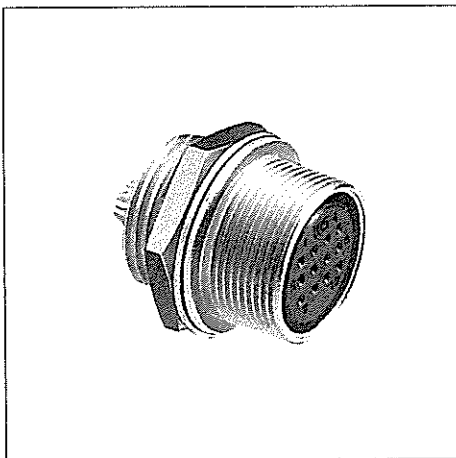
■ PLUGS



(An example of the form is illustrated.)

HRS No.	Product No.	No. of Contacts	A	φB	φC	φD	Weight	RoHS
125-0001-8-72	HR25-7TP-4P (72)	4	35	10.5	6.7	5	8g	○
125-0002-0-72	HR25-7TP-4S (72)	4	35	10.5	6.7	5	8g	
125-0003-3-72	HR25-7TP-6P (72)	6	35	10.5	6.7	5	8g	
125-0004-6-72	HR25-7TP-6S (72)	6	35	10.5	6.7	5	8g	
125-0005-9-72	HR25-7TP-8P (72)	8	35	10.5	6.7	5	8g	
125-0006-1-72	HR25-7TP-8S (72)	8	35	10.5	6.7	5	8g	
125-0101-2-72	HR25-9TP-12P (72)	12	43	12.5	8.7	7	13g	
125-0102-5-72	HR25-9TP-12S (72)	12	43	12.5	8.7	7	13g	
125-0103-8-74	HR25-9TP-16P (74)	16	43	12.5	8.7	7	13g	
125-0104-0-73	HR25-9TP-16S (73)	16	43	12.5	8.7	7	13g	
125-0105-3-72	HR25-9TP-20P (72)	20	43	12.5	8.7	7	13g	
125-0106-6-73	HR25-9TP-20S (73)	20	43	12.5	8.7	7	13g	

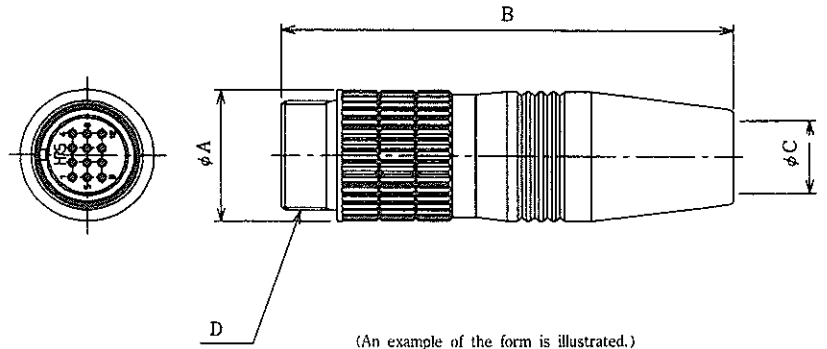
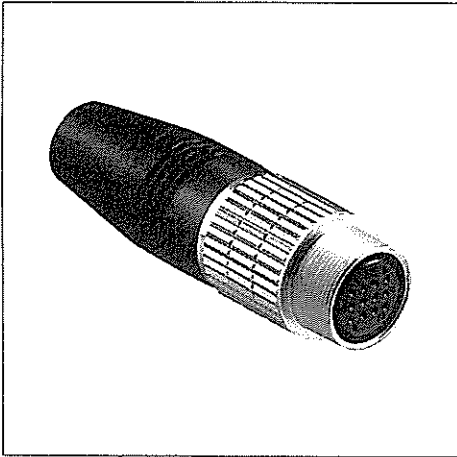
■ RECEPTACLES



(An example of the form is illustrated.)

HRS No.	Product No.	No. of Contacts	φA	B	C	D	Weight	RoHS
125-0007-4-73	HR25-7TR-4S (73)	4	10.6	M8.5×0.5	M8×0.5	10	3g	○
125-0008-7-73	HR25-7TR-4P (73)	4	10.6	M8.5×0.5	M8×0.5	10	3g	
125-0009-0-73	HR25-7TR-6S (73)	6	10.6	M8.5×0.5	M8×0.5	10	3g	
125-0010-9-73	HR25-7TR-6P (73)	6	10.6	M8.5×0.5	M8×0.5	10	3g	
125-0011-1-73	HR25-7TR-8S (73)	8	10.6	M8.5×0.5	M8×0.5	10	3g	
125-0012-4-73	HR25-7TR-8P (73)	8	10.6	M8.5×0.5	M8×0.5	10	3g	
125-0107-9-71	HR25-9TR-12S (71)	12	12.6	M10.5×0.5	M10×0.75	12	4g	
125-0108-1-71	HR25-9TR-12P (71)	12	12.6	M10.5×0.5	M10×0.75	12	4g	
125-0109-4-71	HR25-9TR-16S (71)	16	12.6	M10.5×0.5	M10×0.75	12	4g	
125-0110-3-71	HR25-9TR-16P (71)	16	12.6	M10.5×0.5	M10×0.75	12	4g	
125-0111-6-71	HR25-9TR-20S (71)	20	12.6	M10.5×0.5	M10×0.75	12	4g	
125-0112-9-71	HR25-9TR-20P (71)	20	12.6	M10.5×0.5	M10×0.75	12	4g	

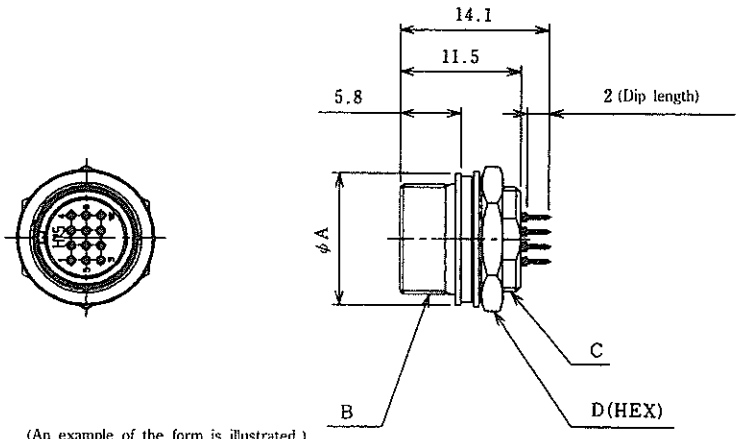
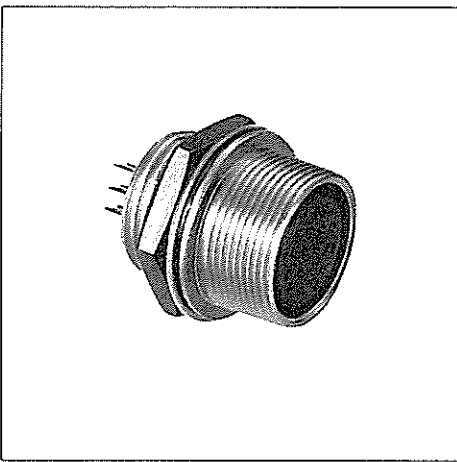
JACKS



HRS No.	Product No.	No. of Contacts	φA	φB	φC	D	Weight	RoHS
125-0013-7-72	HR25-7TJ-4S (72)	4	10.6	35	5	M8.5×0.5	8g	○
125-0014-0-72	HR25-7TJ-4P (72)	4	10.6	35	5	M8.5×0.5	8g	
125-0015-2-72	HR25-7TJ-6S (72)	6	10.6	35	5	M8.5×0.5	8g	
125-0016-5-72	HR25-7TJ-6P (72)	6	10.6	35	5	M8.5×0.5	8g	
125-0017-8-72	HR25-7TJ-8S (72)	8	10.6	35	5	M8.5×0.5	8g	
125-0018-0-72	HR25-7TJ-8P (72)	8	10.6	35	5	M8.5×0.5	8g	
125-0113-1-72	HR25-9TJ-12S (72)	12	12.6	43	7	M10.5×0.5	12g	
125-0114-4-72	HR25-9TJ-12P (72)	12	12.6	43	7	M10.5×0.5	12g	
125-0115-7-72	HR25-9TJ-16S (72)	16	12.6	43	7	M10.5×0.5	12g	
125-0116-0-72	HR25-9TJ-16P (72)	16	12.6	43	7	M10.5×0.5	12g	
125-0117-2-73	HR25-9TJ-20S (73)	20	12.6	43	7	M10.5×0.5	12g	
125-0118-5-72	HR25-9TJ-20P (72)	20	12.6	43	7	M10.5×0.5	12g	

Board direct mounting type

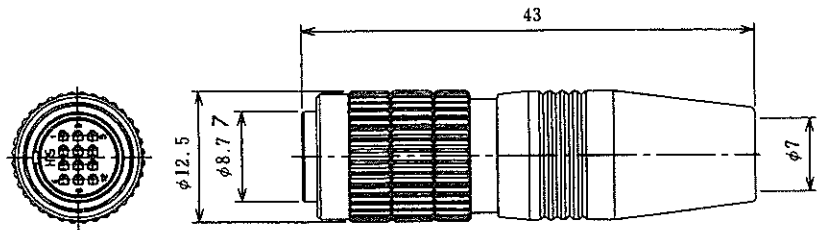
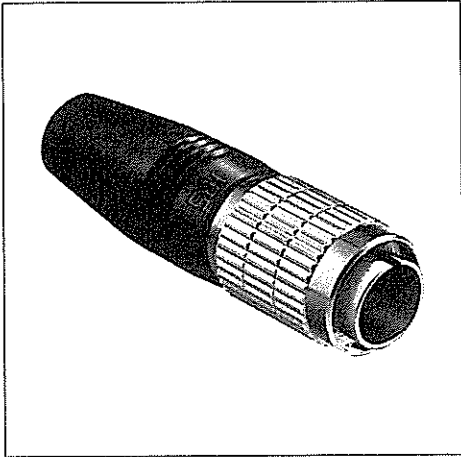
RECEPTACLES



HRS No.	Product No.	No. of Contacts	φA	B	C	D	Weight	RoHS
125-0019-3-73	HR25-7TR-4SA (73)	4	10.6	M8.5×0.5	M8×0.5	10	3g	○
125-0020-2-73	HR25-7TR-4PA (73)	4	10.6	M8.5×0.5	M8×0.5	10	3g	
125-0021-5-73	HR25-7TR-6SA (73)	6	10.6	M8.5×0.5	M8×0.5	10	3g	
125-0022-8-73	HR25-7TR-6PA (73)	6	10.6	M8.5×0.5	M8×0.5	10	3g	
125-0023-0-73	HR25-7TR-8SA (73)	8	10.6	M8.5×0.5	M8×0.5	10	3g	
125-0024-3-73	HR25-7TR-8PA (73)	8	10.6	M8.5×0.5	M8×0.5	10	3g	
125-0119-8-71	HR25-9TR-12SA (71)	12	12.6	M10.5×0.5	M10×0.75	12	4g	
125-0120-7-71	HR25-9TR-12PA (71)	12	12.6	M10.5×0.5	M10×0.75	12	4g	
125-0121-0-71	HR25-9TR-16SA (71)	16	12.6	M10.5×0.5	M10×0.75	12	4g	
125-0122-2-71	HR25-9TR-16PA (71)	16	12.6	M10.5×0.5	M10×0.75	12	4g	
125-0123-5-71	HR25-9TR-20SA (71)	20	12.6	M10.5×0.5	M10×0.75	12	4g	
125-0124-8-71	HR25-9TR-20PA (71)	20	12.6	M10.5×0.5	M10×0.75	12	4g	

Crimp type

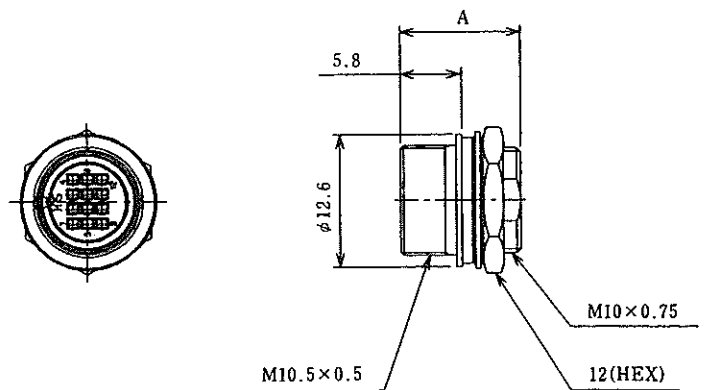
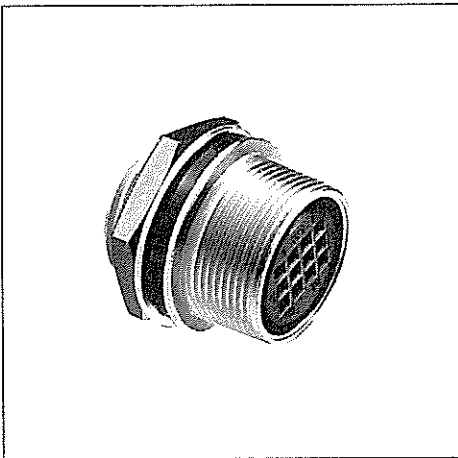
PLUGS



(An example of the form is illustrated.)

HRS No.	Product No.	No. of Contacts	Weight	RoHS
125-0401-6-72	HR25-9TP-12PC (72)	12	12g	○
125-0402-9-72	HR25-9TP-12SC (72)	12	12g	
125-0403-1-72	HR25-9TP-16PC (72)	16	12g	
125-0404-4-72	HR25-9TP-16SC (72)	16	12g	
125-0405-7-72	HR25-9TP-20PC (72)	20	12g	
125-0406-0-72	HR25-9TP-20SC (72)	20	12g	

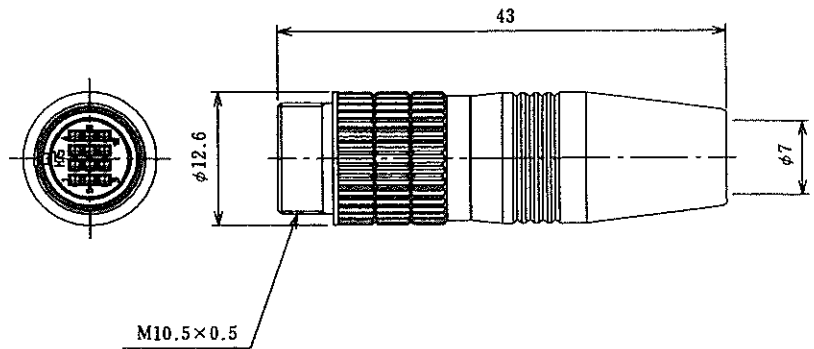
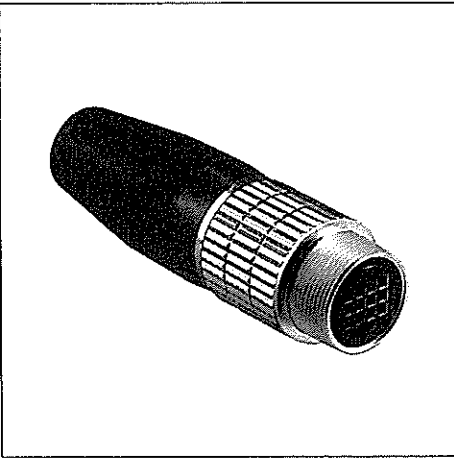
RECEPTACLES



(An example of the form is illustrated.)

HRS No.	Product No.	No. of Contacts	A	Weight	RoHS
125-0407-2-71	HR25-9TR-12SC (71)	12	11.5	3g	○
125-0408-5-71	HR25-9TR-12PC (71)	12	13	3g	
125-0409-8-71	HR25-9TR-16SC (71)	16	11.5	3g	
125-0410-7-71	HR25-9TR-16PC (71)	16	13	3g	
125-0411-0-71	HR25-9TR-20SC (71)	20	11.5	3g	
125-0412-2-71	HR25-9TR-20PC (71)	20	13	3g	

JACKS

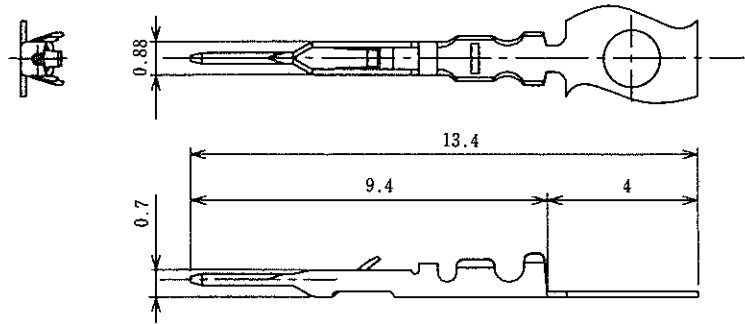


(An example of the form is illustrated.)

HRS No.	Product No.	No. of Contacts	Weight	RoHS
125-0413-5-72	HR25-9TJ-12SC (72)	12	12g	○
125-0414-8-72	HR25-9TJ-12PC (72)	12	12g	
125-0415-0-72	HR25-9TJ-16SC (72)	16	12g	
125-0416-3-72	HR25-9TJ-16PC (72)	16	12g	
125-0417-6-72	HR25-9TJ-20SC (72)	20	12g	
125-0418-9-72	HR25-9TJ-20PC (72)	20	12g	

■ CRIMP-STYLE CONTACTS

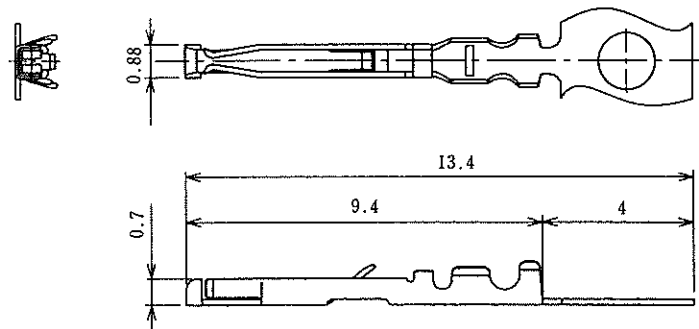
Male Contacts



Type	HRS No.	Product No.	Suitable Wire	RoHS
Loose contacts	125-0419-1	HR25-PC-111	AWG#30~32	○
Continuous contacts	125-0420-0	HR25-PC-211	AWG#30~32	

NOTES: 1. Please use wire with a covering outside diameter of 0.71 mm or less.
 2. Loose contacts come in packages of 100 pieces. Continuous contacts come in reels of 10,000 pieces.

Female Contacts

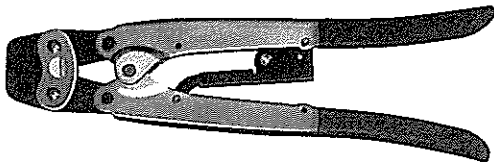


Type	HRS No.	Product No.	Suitable Wire	RoHS
Loose contacts	125-0421-3	HR25-SC-111	AWG#30~32	○
Continuous contacts	125-0422-6	HR25-SC-211	AWG#30~32	

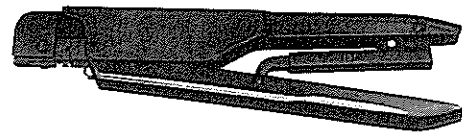
NOTES: 1. Please use wire with a covering outside diameter of 0.71 mm or less.
 2. Loose contacts come in packages of 100 pieces. Continuous contacts come in reels of 10,000 pieces.

◆ Applicable Tools

Type	Item	HRS No.	Product No.	Applicable Contacts	Applicable Wire and Applicable Cable Diameter
Manual	Manual crimping tool	150-0207-3	HR25-TA3032HC	HR25-PC-111 HR25-SC-111	AWG # 30
Auto	Auto crimping machine body	901-0005-4	CM-105	—	—
	Applicator	901-2040-6	AP105-HR25-1	HR25-PC-211 HR25-SC-211	AWG # 30
Cable crimping tool		150-0041-2	HR10A-TC-02	—	φ 7, φ 5
Extractor		150-0091-0	HR25-TP	—	—
Hexagon bar wrench (opposing side-to-side distance 1.27)		150-0066-3	PB205/1.27	—	—



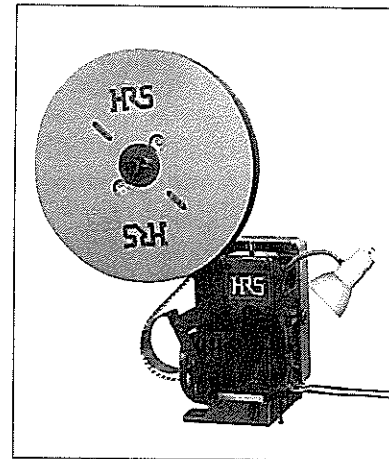
(HR10A-TC-02)
Cable crimping tool



(HR25-TA-3032HC)
Manual crimping tool



(HR25-TP)
Extraction tool



Automatic crimper Model CM-105



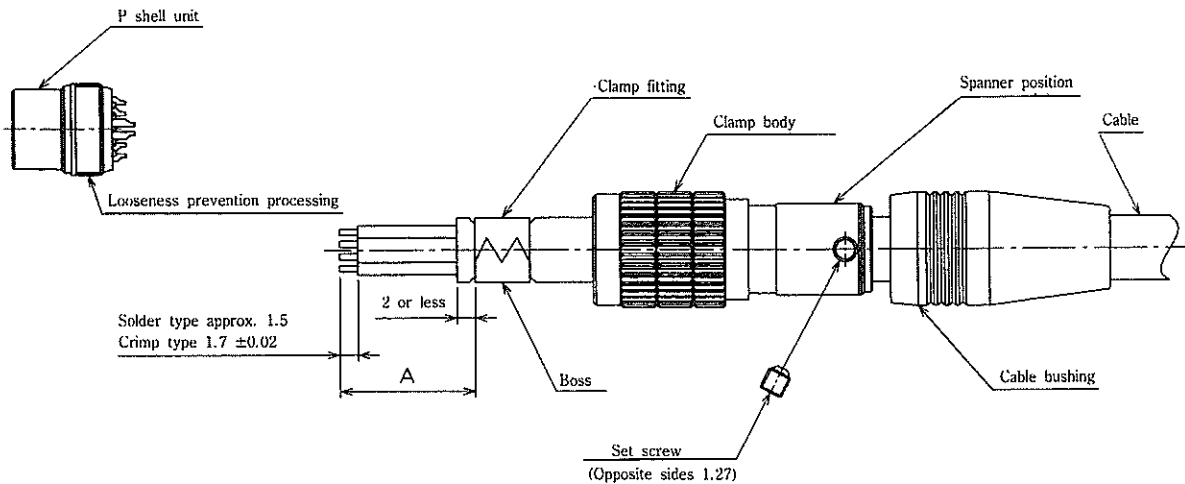
(PB205/1.27)
Hexagonal wrench driver

◆ Outline of Wiring Work (on the Plug Side)

- The outline of wiring work for this diagram uses the soldered type as an example.
 The jack side is also based on the work outline of the plug; however, the receptacle side does not require a special work outline and has been omitted because of this.

◇ Screw Lock Type

● Work Procedure



Shell size	Soldered type A dimensions	Crimp type A dimensions	Spanner spacing	Tightening torque
7	10	—	8	1Nm
9	15	19	10	1Nm

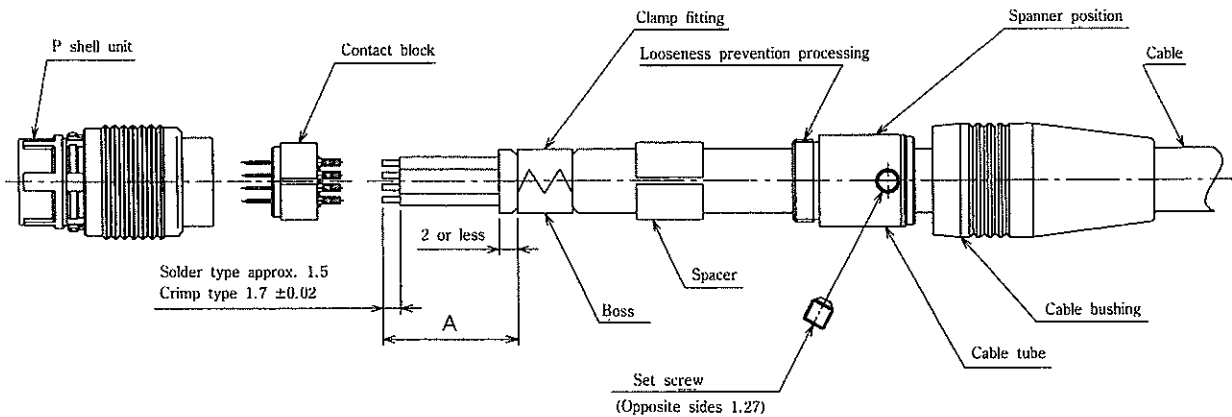
1. With regard to cables, the wire to be used should have a conductor with a nominal cross-sectional area of 0.08 mm² (AWG #28) or less in a finished form suited to each size.
2. First pass the cable bushing and the plug body in order over the cable, then cut the end at the dimensions indicated in the above diagram.
3. Mount the P shell unit in the wiring jig and perform the solder wiring.
4. Use the cable crimping jig (HR10A-TC-02) to fix the clamp fitting to the cable.
5. After performing the wiring, tighten the plug body to the screw portion of the P shell unit using the specified torque (in the above table).
6. Tighten the set screw so that the tip of the set screw falls into one of the two bosses of the clamp fitting. Note that the tightening torque of the set screw is from 0.3 to 0.4 Nm.
7. Put the cable bushing over the plug body and complete the work.
 Note that the use of a paint lock (e.g., Locktight 271 manufactured by Nihon Locktight K.K.) is recommended on the screw portion to prevent loosening of the P shell unit.

The aforementioned work procedure is for the soldered type. In the case of the crimp-style type, Steps 1 and 3 are changed as follows:

1. With regard to cables, the wire to be used should have a conductor with a nominal cross-sectional area of 0.05 mm² (AWG #30) and 0.035 mm² (AWG #32) in a finished form suited to each size.
3. Crimp a suitable crimp terminal to the conductor portion of the cable, then fit into the housing of the P shell unit.

◇ Push-Pull Type

● Work Procedure



Shell size	Soldered type A dimensions	Crimp type A dimensions	Spanner spacing	Tightening torque
7	10	—	8	1Nm
9	15	19	10	1Nm

1. With regard to cables, the wire to be used should have a conductor with a nominal cross-sectional area of 0.08 mm² (AWG #28) or less in a finished form suited to each size.
2. First pass the cable bushing, cable tube, and the spacer in order over the cable, then cut the end at the dimensions indicated in the above diagram.
3. Mount the contact block in the wiring jig and perform the solder wiring.
4. Use the cable crimping jig (HR10A-TC-02) to fix the clamp fitting to the cable.
5. Insert the contact block and the spacer in order to the P shell unit.
Be sure to align the guides at this time when making the insertion.
6. Using the tightening jig, tighten the P shell unit and the cable tube with the specified torque (in the above table).
7. Tighten the set screw so that the tip of the set screw falls into one of the two bosses of the clamp fitting.
Note that the tightening torque of the set screw is from 0.3 to 0.4 Nm.
8. Put the cable bushing over the cable tube and complete the work.
Note that the use of a paint lock (e.g., Locktight 271 manufactured by Nihon Locktight K.K.) is recommended on the screw portion to prevent loosening of the cable tube..

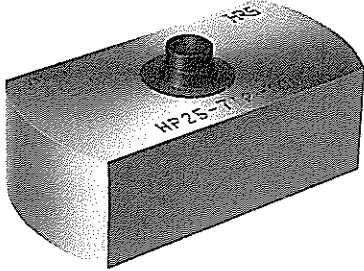
The aforementioned work procedure is for the soldered type. In the case of the crimp-style type, Steps 1 and 3 are changed as follows:

1. With regard to cables, the wire to be used should have a conductor with a nominal cross-sectional area of 0.05 mm² (AWG #30) and 0.035 mm² (AWG #32) in a finished form suited to each size.
3. Crimp a suitable crimp terminal to the conductor portion of the cable, then fit into the molded terminal hole.

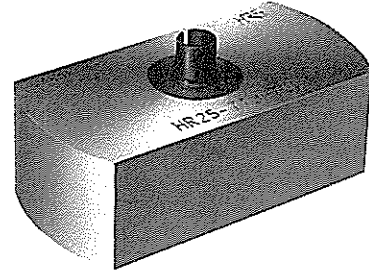
Should there be any points requiring clarification when using the connectors, please contact our Business or Technical Department.

◆ Assembly Jigs

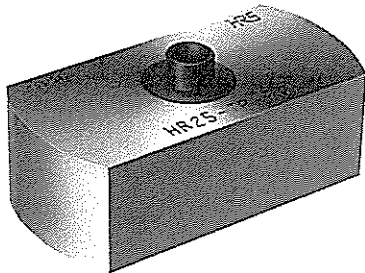
Use of the following assembly jigs will simplify the job of disassembling and assembling the connectors at the time of wiring.



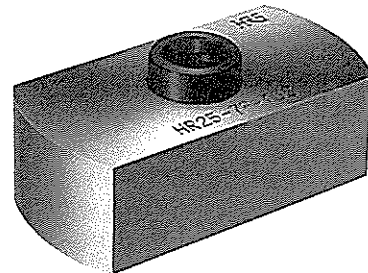
(HR25-7TP-01)



(HR25-7TJ-01)



(HR25-7P-T01)

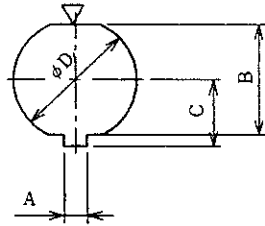


(HR25-7P-T02)

HRS No.	Product No.	Suitable Connectors and Uses
150-0082-0	HR25-7TP-T01	For HR25-7TP wiring and P shell unit tightening
150-0080-4	HR25-9TP-T01	For HR25-9TP wiring and P shell unit tightening
150-0089-9	HR25-7TJ-T01	For HR25-7TJ wiring and J shell unit tightening
150-0090-8	HR25-9TJ-T01	For HR25-9TJ wiring and J shell unit tightening
150-0085-8	HR25-7P-T01	For HR25-7P wiring
150-0086-0	HR25-9P-T01	For HR25-9P wiring
150-0087-3	HR25-7P-T02	For HR25-7P P shell unit tightening
150-0088-6	HR25-9P-T02	For HR25-9P P shell unit tightening

Mounting Hole Dimensions Diagram

Mounting hole dimensions are indicated as viewed from the engagement side.

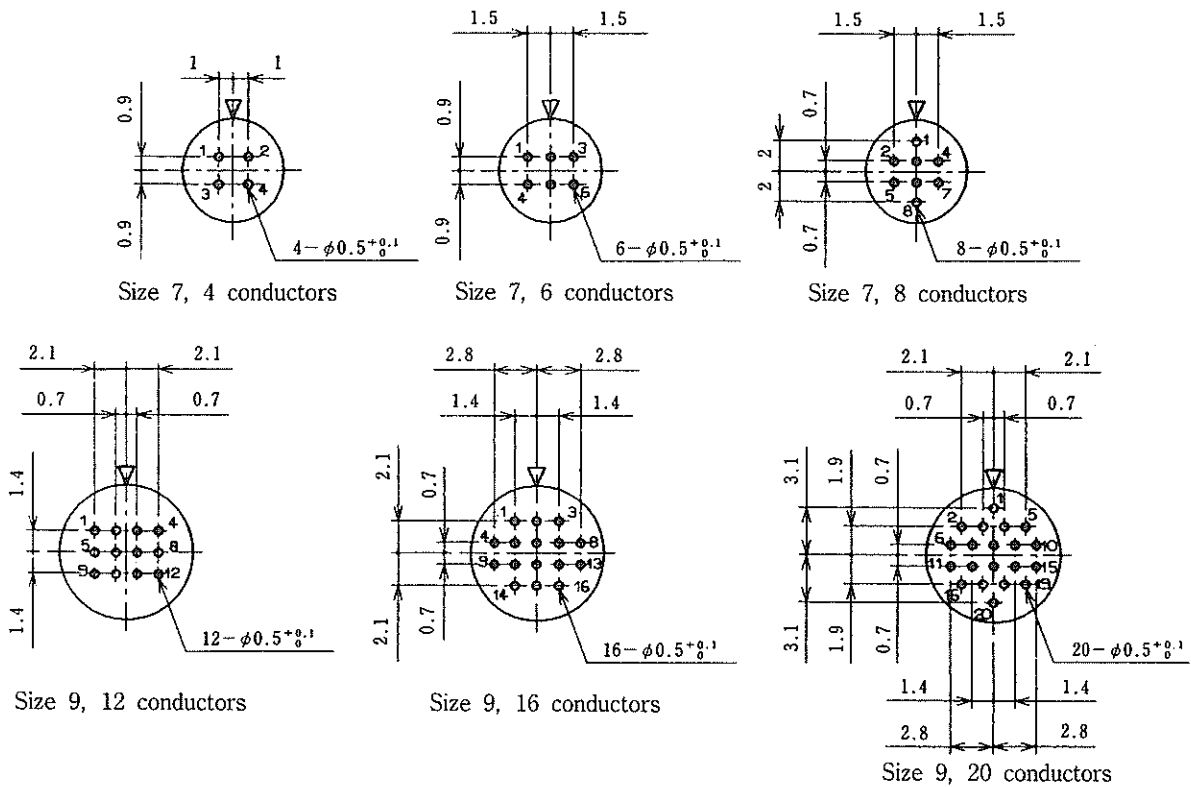


Screw lock type

Lock System Shell Size Diagram Symbol	Screw Lock Type	
	Size 7	Size 9
A	1.55 ^{+0.05} ₀	1.55 ^{+0.05} ₀
B	7.25 ^{+0.03} _{-0.02}	9.25 ^{+0.03} _{-0.02}
C	4.4 ^{+0.1} ₀	5.4 ^{+0.1} ₀
D	8 ^{+0.05} ₀	10 ^{+0.05} ₀
Mounting Panel Thickness	0.7~2	0.7~2

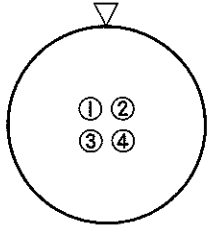
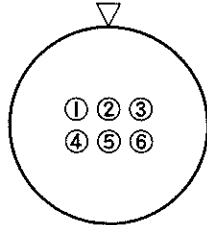
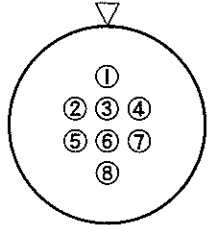
NOTE: The ∇ mark indicates the engagement guide key position.

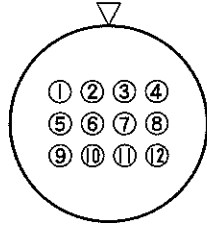
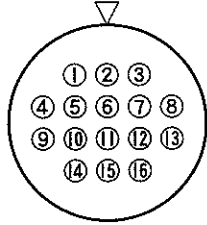
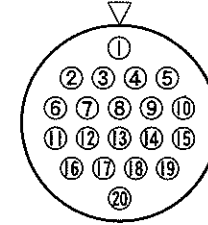
RECEPTACLE DIP POST CONFIGURATION DIMENSIONS



- NOTE:
1. The above diagrams are viewed from the engagement side of the socket insert (i.e., the wiring side of the pin insert).
 2. The ∇ mark of the above diagrams indicates the engagement guide key position.
 3. A tolerance of ± 0.05 is recommended for dimensions without indication.

◆ Contact Configuration and Major Ratings

Shell size	Size 7		
Contact configuration			
Number of contacts	4	6	8
Withstand voltage	300 V AC for 1 minute		
Current capacity	1 A		
Insulation resistance	1000 MΩ or greater		
Contact resistance	30 mΩ		
Solder pot inside diameter	0.5 mm dia.		

Shell size	Size 9		
Contact configuration			
Number of contacts	12	16	20
Withstand voltage	300 V AC for 1 minute		
Current capacity	1 A		
Insulation resistance	1000 MΩ or greater		
Contact resistance	30 mΩ		
Solder pot inside diameter	0.5 mm dia.		

NOTE:

1. The above diagrams are viewed from the engagement side of the socket insert (i.e., the wiring side of the pin insert).
2. The Δ mark of the above diagrams indicates the engagement guide key position.
3. The withstand voltage indicates the test voltage value. For regular use the voltage used should be less than 30 V AC or 42 V DC.
4. The current capacity of the crimp terminals indicates the value when using wire of AWG #30.
5. The insulation resistance indicates a value when measured at 100 V DC.



**Стандарт
Электрон
Связь**

Мы молодая и активно развивающаяся компания в области поставок электронных компонентов. Мы поставляем электронные компоненты отечественного и импортного производства напрямую от производителей и с крупнейших складов мира.

Благодаря сотрудничеству с мировыми поставщиками мы осуществляем комплексные и плановые поставки широчайшего спектра электронных компонентов.

Собственная эффективная логистика и склад в обеспечивает надежную поставку продукции в точно указанные сроки по всей России.

Мы осуществляем техническую поддержку нашим клиентам и предпродажную проверку качества продукции. На все поставляемые продукты мы предоставляем гарантию .

Осуществляем поставки продукции под контролем ВП МО РФ на предприятия военно-промышленного комплекса России , а также работаем в рамках 275 ФЗ с открытием отдельных счетов в уполномоченном банке. Система менеджмента качества компании соответствует требованиям ГОСТ ISO 9001.

Минимальные сроки поставки, гибкие цены, неограниченный ассортимент и индивидуальный подход к клиентам являются основой для выстраивания долгосрочного и эффективного сотрудничества с предприятиями радиоэлектронной промышленности, предприятиями ВПК и научно-исследовательскими институтами России.

С нами вы становитесь еще успешнее!

Наши контакты:

Телефон: +7 812 627 14 35

Электронная почта: sales@st-electron.ru

Адрес: 198099, Санкт-Петербург,
Промышленная ул, дом № 19, литера Н,
помещение 100-Н Офис 331