



*K Series - Page K4*



*KCB Series - Page K5*



*KE Series - Page K6*



*KLNS Series - Page K8*



*KN Series - Page K8*



*PK Series - Page K13*



*PKD Series - Page K14*



**Alcoknob Part Number Index**

K1250A1/4 .....K4  
 K1250B1/4 .....K4  
 K1251B1/4 .....K4  
 K1255AS1/4 .....K4  
 K1255BS1/4 .....K4  
 K500A1/4 .....K4  
 K500A1/8 .....K4  
 K500B1/4 .....K4  
 K500B1/8 .....K4  
 K700A1/4 .....K4  
 K700B1/4 .....K4  
 K900A1/4 .....K4  
 K900B1/4 .....K4  
 KA1250A1/4 .....K4  
 KA1250B1/4 .....K4  
 KA500A1/4 .....K4  
 KA500A1/8 .....K4  
 KA500B1/4 .....K4  
 KA500B1/8 .....K4  
 KA700A1/4 .....K4  
 KA700B1/4 .....K4  
 KA900A1/4 .....K4  
 KA900B1/4 .....K4  
 KAS500A1/4 .....K4  
 KAS500A1/8 .....K4  
 KAS500B1/4 .....K4  
 KAS500B1/8 .....K4  
 KAS700A1/4 .....K4  
 KAS700B1/4 .....K4  
 KAS900A1/4 .....K4  
 KAS900B1/4 .....K4  
 KB500A1/4 .....K5  
 KB500B1/4 .....K5  
 KB500B1/8 .....K5  
 KB700A1/4 .....K5  
 KB700B1/4 .....K5  
 KB900A1/4 .....K5  
 KB900B1/4 .....K5  
 KBS500A1/8 .....K5  
 KBS500A101/4 .....K5  
 KBS500A101/8 .....K5  
 KBS500B1/4 .....K5  
 KBS500B1/8 .....K5  
 KBS500B101/4 .....K5  
 KBS500B101/8 .....K5  
 KCB500A1/4 .....K5  
 KCB500A1/8 .....K5  
 KCB500B1/4 .....K5  
 KCB500B1/8 .....K5  
 KCB600A1/4 .....K5  
 KCB600A1/8 .....K5  
 KCB600B1/4 .....K5  
 KCB600B1/8 .....K5  
 KCB700A1/4 .....K5  
 KCB700B1/4 .....K5  
 KCB900A1/4 .....K5  
 KCB900B1/4 .....K5  
 KD1250A1/4 .....K6  
 KD1250B1/4 .....K6  
 KD500A1/4 .....K6  
 KD500A1/8 .....K6  
 KD500B1/4 .....K6  
 KD500B1/8 .....K6  
 KD700A1/4 .....K6  
 KD700B1/4 .....K6  
 KD900A1/4 .....K6  
 KD900B1/4 .....K6  
 KE1250AB1/4 .....K6  
 KE500AB1/4 .....K6  
 KE500AB1/8 .....K6  
 KE700AB1/4 .....K6  
 KE900AB1/4 .....K6

KES500AB1/4 .....K6  
 KES500AB1/8 .....K6  
 KES700AB1/4 .....K6  
 KES900AB1/4 .....K6  
 KFS400B1/8 .....K7  
 KFS500B1/4 .....K7  
 KFS500B1/8 .....K7  
 KFS600B1/4 .....K7  
 KHF1250A1/4 .....K7  
 KHF500A1/4 .....K7  
 KHF700A1/4 .....K7  
 KHF900A1/4 .....K7  
 KLN1250A1/4 .....K7  
 KLN1250B1/4 .....K7  
 KLN500A1/4 .....K7  
 KLN500A1/8 .....K7  
 KLN500B1/4 .....K7  
 KLN500B1/8 .....K7  
 KLN500S1/4 .....K7  
 KLN700A1/4 .....K7  
 KLN700B1/4 .....K7  
 KLN700B1/8 .....K7  
 KLN700S1/4 .....K7  
 KLN900A1/4 .....K7  
 KLN900B1/4 .....K7  
 KLN900S1/4 .....K7  
 KLN5500A1/4 .....K8  
 KLN5500A1/8 .....K8  
 KLN5500B1/4 .....K8  
 KLN5500B1/8 .....K8  
 KLN5700A1/4 .....K8  
 KLN5700B1/4 .....K8  
 KLN5900A1/4 .....K8  
 KLN5900B1/4 .....K8  
 KN1250A1/4 .....K9  
 KN1250AB1/4 .....K9  
 KN1250B1/4 .....K9  
 KN1250BA1/4 .....K9  
 KN1251A1/4 .....K9  
 KN1251B1/4 .....K9  
 KN1750A1/4 .....K8  
 KN1750B1/4 .....K8  
 KN1751A1/4 .....K8  
 KN1751AB1/4 .....K8  
 KN1751AS1/4 .....K8  
 KN1751B1/4 .....K8  
 KN1751BA1/4 .....K8  
 KN1751BS1/4 .....K8  
 KN1755ABS1/4 .....K9  
 KN1755AS1/4 .....K9  
 KN1755BAS1/4 .....K9  
 KN1755BS1/4 .....K9  
 KN500A1/4 .....K9  
 KN500A1/8 .....K9  
 KN500AB1/4 .....K9  
 KN500AB1/8 .....K9  
 KN500B1/4 .....K9  
 KN500B1/8 .....K9  
 KN500BA1/4 .....K9  
 KN500BA1/8 .....K9  
 KN501A1/4 .....K8  
 KN501A1/8 .....K8  
 KN501B1/4 .....K8  
 KN501B1/8 .....K8  
 KN501BA1/4 .....K8  
 KN501BA1/8 .....K8  
 KN5700A1/4 .....K9  
 KN5700B1/4 .....K9  
 KN700A1/4 .....K9  
 KN700AB1/4 .....K9  
 KN700B1/4 .....K9  
 KN700BA1/4 .....K9  
 KN701A1/4 .....K8  
 KN701B1/4 .....K8

KN701BA1/4 .....K8  
 KN701BA1/8 .....K8  
 KN900A1/4 .....K9  
 KN900AB1/4 .....K9  
 KN900B1/4 .....K9  
 KN900BA1/4 .....K9  
 KNS501A1/4 .....K10  
 KNS501A1/8 .....K10  
 KNS501B1/4 .....K10  
 KNS501B1/8 .....K10  
 KNS501BA1/4 .....K10  
 KNS501BA1/8 .....K10  
 KNS701A1/4 .....K10  
 KNS701B1/4 .....K10  
 KNS701BA1/4 .....K10  
 KNS701BA1/8 .....K10  
 KPN500A1/4 .....K10  
 KPN500A1/8 .....K10  
 KPN500B1/4 .....K10  
 KPN500B1/8 .....K10  
 KPN700A1/4 .....K10  
 KPN700B1/4 .....K10  
 KPN900A1/4 .....K10  
 KPN900B1/4 .....K10  
 KR1 .....K21  
 KR2 .....K21  
 KR3 .....K21  
 KS500A1/4 .....K10  
 KS500A1/8 .....K10  
 KS500B1/4 .....K10  
 KS500B1/8 .....K10  
 KS700A1/4 .....K10  
 KS700B1/4 .....K10  
 KS900A1/4 .....K10  
 KS900B1/4 .....K10  
 KT500A1/4 .....K11  
 KT500B1/4 .....K11  
 KT500B1/8 .....K11  
 KT700A1/4 .....K11  
 KT700B1/4 .....K11  
 KT900A1/4 .....K11  
 KT900B1/4 .....K11  
 KU401B1/8 .....K11  
 KU402B1/8 .....K11  
 KU500B1/4 .....K11  
 KU500B1/8 .....K11  
 KU700B1/4 .....K11  
 KUS402B1/8 .....K11  
 KUS500B1/4 .....K11  
 KUS500B1/8 .....K11  
 KUS700B1/4 .....K11  
 PH15181/4 .....K12  
 PK1100B1/8 .....K12  
 PK50B1/4 .....K12  
 PK50B1/8 .....K12  
 PK70B1/4 .....K12  
 PK90B1/4 .....K12  
 PKA50B1/4 .....K13  
 PKA50B1/8 .....K13  
 PKA55B1/4 .....K13  
 PKA55B1/8 .....K13  
 PKA70B1/4 .....K13  
 PKA90B1/4 .....K13  
 PKAP50B1/4 .....K13  
 PKAP50B1/8 .....K13  
 PKAP70B1/4 .....K13  
 PKB70B1/4 .....K14  
 PKB90B1/4 .....K14  
 PKD100B1/4 .....K14  
 PKD100B101/4 .....K14  
 PKD60B1/4 .....K14  
 PKD60B1/8 .....K14  
 PKD60B101/4 .....K14  
 PKD60B101/8 .....K14

PKD70B1/4 .....K14  
 PKD70B101/4 .....K14  
 PKDT100B1/4 .....K15  
 PKDT100B101/4 .....K15  
 PKDT60B101/8 .....K15  
 PKDT70B1/4 .....K15  
 PKDT70B101/4 .....K15  
 PKE60B1/4 .....K15  
 PKE60B1/8 .....K15  
 PKE90B1/4 .....K15  
 PKES120B1/4 .....K15  
 PKES140B1/4 .....K15  
 PKES150B1/4 .....K15  
 PKES60B1/4 .....K15  
 PKES60B1/8 .....K15  
 PKES70B1/4 .....K15  
 PKES90B1/4 .....K15  
 PKF50B1/8 .....K16  
 PKG100B1/4 .....K17  
 PKG1255B1/4 .....K17  
 PKG40B1/8 .....K16  
 PKG50B1/4 .....K16  
 PKG50B1/8 .....K16  
 PKG60B1/4 .....K17  
 PKG60B1/8 .....K17  
 PKG70B1/4 .....K17  
 PKG70B1/8 .....K17  
 PKG90B1/4 .....K17  
 PKG90B1/8 .....K17  
 PKGP100B1/4 .....K17  
 PKGP70B1/4 .....K17  
 PKGP90B1/4 .....K17  
 PKJ50B1/4 .....K17  
 PKJ50B1/8 .....K17  
 PKJ60B1/4 .....K17  
 PKJ70B1/4 .....K17  
 PKJT50B1/4 .....K18  
 PKJT50B1/8 .....K18  
 PKJT60B1/4 .....K18  
 PKJT70B1/4 .....K18  
 PKN60B1/4 .....K18  
 PKN60B1/8 .....K18  
 PKN70B1/4 .....K18  
 PKN90B1/4 .....K18  
 PKNT60B1/4 .....K18  
 PKNT60B1/8 .....K18  
 PKNT70B1/4 .....K18  
 PKNT90B1/4 .....K18  
 PKS1103B101/4 .....K18  
 PKS1104B1/4 .....K19  
 PKS1105B101/4 .....K19  
 PKS1106B1/4 .....K19  
 PKS1132B1/4 .....K19  
 PKS1132B101/4 .....K19  
 PKS1132B51/4 .....K19  
 PKS1132B91/4 .....K19  
 PKS90B1/4 .....K20  
 PKS90B101/4 .....K20  
 PKX100B1/4 .....K20  
 PKX110B1/4 .....K20  
 PKX130B1/4 .....K20  
 PKX50B1/4 .....K20  
 PKX50B1/8 .....K20  
 PKX60B1/4 .....K20  
 PKX60B1/8 .....K20

**K**  
Alcoknob

---

**General Knob Information**

---

**SPECIFICATIONS****A. STANDARD KNOB TYPES**

1. **INSPECTION CRITERIA** - Normal inspection is performed without magnification while holding knob at a distance of 12 to 14 inches for a period of 5 seconds, under normal light. The following imperfections are not acceptable:
  - Finish: visible marks or scratches, runs, or non-uniform coverage.
  - Artwork: voids, specks, bleeding or other inconsistencies
2. **MATERIALS** -
  - K Series: Machined aluminum alloy stock  
Finish: gloss anodize  
Setscrews: Stainless steel, type 303, hex head, cup point
  - P Series: General purpose phenolic (thermoset) (Max. Temp. 120-125°C continuous)  
Finish: Gloss (except PKX, matte)  
Insert: Brass  
Setscrews: Stainless steel, hex head, cup point  
Inlays: Skirts: Aluminum alloy, spun finish

---

**B. CUSTOM TYPES**

1. **ALUMINUM**
  - Configuration - most semi-standard or custom designs can be machined. A drawing is required to provide a quotation. Non-standard shaft hole diameters are available also.
  - Finish - Anodizing or paint of various colors can be provided. A color chip is required to ensure proper color shade.
  - Artwork - alpha-numeric lettering, indicator lines, markings, etc. can be provided. Silkscreening and other processes are available.
2. **PHENOLIC**
  - Configuration - most custom styles can be molded.
  - Colors - various custom colored standard knobs can be provided. Color chip is required.
  - Artwork - lettering, markings, etc. can be provided.

**Knobs, Machined Aluminum**

**K SERIES**

K700B1/4



| Tyco<br>3 Flute Design with and without Indicator Line |            |         |            |            |            |            |            |            |             |
|--|------------|---------|------------|------------|------------|------------|------------|------------|-------------|
| Electronics  | Alcoswitch | Color   | A          | B          | C          | D          | E          | F          | G           |
| 1437621-7  | K500A1/8   | Natural | .500(12.7) | .430(10.9) | .374(9.50) | .430(10.9) | .625(15.9) | .429(10.9) | .512(13.0)  |
| 1437621-6  | K500A1/4   | Natural | .500(12.7) | .430(10.9) | .374(9.50) | .430(10.9) | .625(15.9) | .429(10.9) | .512(13.0)  |
| 1437621-9  | K500B1/8   | Black   | .500(12.7) | .430(10.9) | .374(9.50) | .430(10.9) | .625(15.9) | .429(10.9) | .512(13.0)  |
| 1437621-8  | K500B1/4   | Black   | .500(12.7) | .430(10.9) | .374(9.50) | .430(10.9) | .625(15.9) | .429(10.9) | .512(13.0)  |
| 1-1437621-0  | K700A1/4   | Natural | .740(18.8) | .655(16.6) | .591(15.0) | .655(16.6) | .625(15.9) | .429(10.9) | .512(13.0)  |
| 1-1437621-1  | K700B1/4   | Black   | .740(18.8) | .655(16.6) | .591(15.0) | .655(16.6) | .625(15.9) | .429(10.9) | .512(13.0)  |
| 1-1437621-3  | K900A1/4   | Natural | .937(23.8) | .817(20.8) | .709(18.0) | .817(20.8) | .625(15.9) | .429(10.9) | .512(13.0)  |
| 1-1437621-4  | K900B1/4   | Black   | .937(23.8) | .817(20.8) | .709(18.0) | .817(20.8) | .625(15.9) | .429(10.9) | .512(13.0)  |
| 1437621-2  | K1250A1/4  | Natural | 1.25(31.8) | 1.11(28.2) | .984(25.0) | 1.11(28.2) | .750(19.1) | .554(14.1) | .630(16.00) |
| 1437621-3  | K1250B1/4  | Black   | 1.25(31.8) | 1.11(28.2) | .984(25.0) | 1.11(28.2) | .750(19.1) | .554(14.1) | .630(16.00) |
| Less Indicator   |            |         |            |            |            |            |            |            |             |
| 1437621-4  | K1251B1/4  | Black   | 1.25(31.8) | 1.11(28.2) | .984(25.0) | 1.11(28.2) | .750(19.1) | .554(14.1) | .630(16.00) |
| With Crank Spinner + Less Indicator                    |            |         |            |            |            |            |            |            |             |
|  | K1255A1/4  | Natural | 1.25(21.8) | 1.11(28.2) | .984(25.0) | 1.11(28.2) | .750(19.1) | .554(14.1) | .630(16.00) |
| 1437621-5  | K1255B1/4  | Black   | 1.25(31.8) | 1.11(28.2) | .984(25.0) | 1.11(28.2) | .750(19.1) | .554(14.1) | .630(16.00) |

**KA SERIES**



KA500A1/4



KA700B1/4



| Tyco<br>6 Flute Design with Indicator Line |            |         |            |            |            |            |            |            |            |
|--|------------|---------|------------|------------|------------|------------|------------|------------|------------|
| Electronics                                | Alcoswitch | Color   | A          | B          | C          | D          | E          | F          | G          |
| 2-1437621-0                                | KA500A1/8  | Natural | .500(12.7) | .430(10.9) | .375(9.53) | .430(10.9) | .625(15.9) | .512(13.0) | .430(10.9) |
| 1-1437621-9                                | KA500A1/4  | Natural | .500(12.7) | .430(10.9) | .375(9.53) | .430(10.9) | .625(15.9) | .512(13.0) | .430(10.9) |
| 2-1437621-2                                | KA500B1/8  | Black   | .500(12.7) | .430(10.9) | .375(9.53) | .430(10.9) | .625(15.9) | .512(13.0) | .430(10.9) |
| 2-1437621-1                                | KA500B1/4  | Black   | .500(12.7) | .430(10.9) | .375(9.53) | .430(10.9) | .625(15.9) | .512(13.0) | .430(10.9) |
| 2-1437621-3                                | KA700A1/4  | Natural | .750(19.1) | .655(16.6) | .590(15.0) | .655(16.6) | .625(15.9) | .512(13.0) | .430(10.9) |
| 2-1437621-4                                | KA700B1/4  | Black   | .750(19.1) | .655(16.6) | .590(15.0) | .655(16.6) | .625(15.9) | .512(13.0) | .430(10.9) |
| 2-1437621-5                                | KA900A1/4  | Natural | .937(23.8) | .817(20.8) | .700(17.8) | .817(20.8) | .625(15.9) | .512(13.0) | .430(10.9) |
| 2-1437621-6                                | KA900B1/4  | Black   | .937(23.8) | .817(20.8) | .700(17.8) | .817(20.8) | .625(15.9) | .512(13.0) | .430(10.9) |
|  | KA1250A1/4 | Natural | 1.25(31.8) | 1.11(28.2) | .985(25.0) | 1.11(28.2) | .750(19.1) | .630(16.0) | .554(14.1) |
| 1-1437621-8                                | KA1250B1/4 | Black   | 1.25(31.8) | 1.11(28.2) | .985(25.0) | 1.11(28.2) | .750(19.1) | .630(16.0) | .554(14.1) |

**KAS SERIES**



| Tyco<br>6 Flute Design with Aluminum Skirt and Indicator Lines |            |         |            |            |            |            |            |            |            |
|--|------------|---------|------------|------------|------------|------------|------------|------------|------------|
| Electronics  | Alcoswitch | Color   | A          | B          | C          | D          | E          | F          | G          |
| 2-1437621-8  | KAS500A1/8 | Natural | .500(12.7) | .430(10.9) | .380(9.65) | .740(18.8) | .630(16.0) | .510(13.0) | .430(10.9) |
| 2-1437621-7  | KAS500A1/4 | Natural | .500(12.7) | .430(10.9) | .380(9.65) | .740(18.8) | .630(16.0) | .510(13.0) | .430(10.9) |
| 3-1437621-0  | KAS500B1/8 | Black   | .500(12.7) | .430(10.9) | .380(9.65) | .740(18.8) | .630(16.0) | .510(13.0) | .430(10.9) |
| 2-1437621-9  | KAS500B1/4 | Black   | .500(12.7) | .430(10.9) | .380(9.65) | .740(18.8) | .630(16.0) | .510(13.0) | .430(10.9) |
| 3-1437621-1  | KAS700A1/4 | Natural | .750(19.1) | .650(16.5) | .590(15.0) | 1.14(29.0) | .630(16.0) | .510(13.0) | .430(10.9) |
| 3-1437621-2  | KAS700B1/4 | Black   | .750(19.1) | .650(16.5) | .590(15.0) | 1.14(29.0) | .630(16.0) | .510(13.0) | .430(10.9) |
| 3-1437621-3  | KAS900A1/4 | Natural | .940(23.9) | .820(20.8) | .710(18.0) | 1.40(35.6) | .630(16.0) | .510(13.0) | .430(10.9) |
| 3-1437621-4  | KAS900B1/4 | Black   | .940(23.9) | .820(20.8) | .710(18.0) | 1.40(35.6) | .630(16.0) | .510(13.0) | .430(10.9) |

**Knobs, Machined Aluminum**



**KB SERIES**



KB500A1/4



KB900B1/4

| Control Knob with Straight Knurl and Top Line Indicator |            |         |            |            |            |            |            |            |            |
|---|------------|---------|------------|------------|------------|------------|------------|------------|------------|
| Tyco Electronics  | Alcoswitch | Color   | A          | B          | C          | D          | E          | F          | G          |
| 3-1437621-6   | KB500A1/8  | Natural | .500(12.7) | .433(11.0) | .394(10.0) | .472(12.0) | .787(20.0) | .630(16.0) | .610(15.5) |
| 3-1437621-5   | KB500A1/4  | Natural | .500(12.7) | .433(11.0) | .394(10.0) | .472(12.0) | .787(20.0) | .630(16.0) | .610(15.5) |
| 3-1437621-9   | KB500B1/8  | Black   | .500(12.7) | .433(11.0) | .394(10.0) | .472(12.0) | .787(20.0) | .630(16.0) | .610(15.5) |
| 3-1437621-8   | KB500B1/4  | Black   | .500(12.7) | .433(11.0) | .394(10.0) | .472(12.0) | .787(20.0) | .630(16.0) | .610(15.5) |
| 4-1437621-0   | KB700A1/4  | Natural | .750(19.0) | .673(17.1) | .581(15.0) | .705(17.9) | .787(20.0) | .630(16.0) | .610(15.5) |
| 4-1437621-2   | KB700B1/4  | Black   | .750(19.0) | .673(17.1) | .581(15.0) | .705(17.9) | .787(20.0) | .630(16.0) | .610(15.5) |
| 4-1437621-4   | KB900A1/4  | Natural | .930(23.6) | .866(22.0) | .710(18.0) | .902(22.9) | .787(20.0) | .630(16.0) | .610(15.5) |
| 4-1437621-5   | KB900B1/4  | Black   | .930(23.6) | .866(22.0) | .710(18.0) | .902(22.9) | .787(20.0) | .630(16.0) | .610(15.5) |



**KBS SERIES**



KBS500A101/4

| Control Knob with Straight Knurl and Skirt |              |         |            |            |            |            |            |            |            |
|--|--------------|---------|------------|------------|------------|------------|------------|------------|------------|
| Tyco Electronics                           | Alcoswitch   | Color   | A          | B          | C          | D          | E          | F          | G          |
| <b>With 0-9 Numerals (36°)</b>             |              |         |            |            |            |            |            |            |            |
| 4-1437621-9                                | KBS500A101/8 | Natural | .500(12.7) | .433(11.0) | .708(18.0) | 1.00(25.4) | .950(24.1) | .826(21.0) | .655(16.7) |
|  | KBS500A101/4 | Natural | .500(12.7) | .433(11.0) | .708(18.0) | 1.00(25.4) | .950(24.1) | .826(21.0) | .655(16.7) |
| 5-1437621-3                                | KBS500B101/8 | Black   | .500(12.7) | .433(11.0) | .708(18.0) | 1.00(25.4) | .950(24.1) | .826(21.0) | .655(16.7) |
| 5-1437621-2                                | KBS500B101/4 | Black   | .500(12.7) | .433(11.0) | .708(18.0) | 1.00(25.4) | .950(24.1) | .826(21.0) | .655(16.7) |
| <b>With Indicator Line</b>                 |              |         |            |            |            |            |            |            |            |
| 4-1437621-8                                | KBS500A1/8   | Natural | .500(12.7) | .433(11.0) | .708(18.0) | 1.00(25.4) | .950(24.1) | .826(21.0) | .655(16.7) |
| 4-1437621-7                                | KBS500A1/4   | Natural | .500(12.7) | .433(11.0) | .708(18.0) | 1.00(25.4) | .950(24.1) | .826(21.0) | .655(16.7) |
| 5-1437621-1                                | KBS500B1/8   | Black   | .500(12.7) | .433(11.0) | .708(18.0) | 1.00(25.4) | .950(24.1) | .826(21.0) | .655(16.7) |
| 5-1437621-0                                | KBS500B1/4   | Black   | .500(12.7) | .433(11.0) | .708(18.0) | 1.00(25.4) | .950(24.1) | .826(21.0) | .655(16.7) |



**KCB SERIES**



KCB500A1/4



KCB700B1/4

| Control Knob with Sawcut Indicator |            |         |            |            |            |            |            |            |            |
|------------------------------------|------------|---------|------------|------------|------------|------------|------------|------------|------------|
| Tyco Electronics                   | Alcoswitch | Color   | A          | B          | C          | D          | E          | F          | G          |
| 5-1437621-7                        | KCB500A1/8 | Natural | .500(12.7) | .197(5.08) | .374(9.50) | .126(3.20) | .118(3.00) | .335(8.51) | .750(19.1) |
| 5-1437621-6                        | KCB500A1/4 | Natural | .500(12.7) | .197(5.08) | .374(9.50) | .126(3.20) | .118(3.00) | .335(8.51) | .750(19.1) |
| 5-1437621-9                        | KCB500B1/8 | Black   | .500(12.7) | .197(5.08) | .374(9.50) | .126(3.20) | .118(3.00) | .335(8.51) | .750(19.1) |
| 5-1437621-8                        | KCB500B1/4 | Black   | .500(12.7) | .197(5.08) | .374(9.50) | .126(3.20) | .118(3.00) | .335(8.51) | .750(19.1) |
| 6-1437621-0                        | KCB600A1/8 | Natural | .618(15.7) | .197(5.08) | .394(10.0) | .126(3.20) | .118(3.00) | .335(8.51) | .750(19.1) |
|                                    | KCB600A1/4 | Natural | .618(15.7) | .197(5.08) | .394(10.0) | .126(3.20) | .118(3.00) | .335(8.51) | .750(19.1) |
| 6-1437621-2                        | KCB600B1/8 | Black   | .618(15.7) | .197(5.08) | .394(10.0) | .126(3.20) | .118(3.00) | .335(8.51) | .750(19.1) |
| 6-1437621-1                        | KCB600B1/4 | Black   | .618(15.7) | .197(5.08) | .394(10.0) | .126(3.20) | .118(3.00) | .335(8.51) | .750(19.1) |
| 6-1437621-3                        | KCB700A1/4 | Natural | .746(18.8) | .197(5.08) | .512(13.0) | .250(6.35) | .118(3.00) | .335(8.51) | .898(22.8) |
| 6-1437621-4                        | KCB700B1/4 | Black   | .746(18.8) | .197(5.08) | .512(13.0) | .250(6.35) | .118(3.00) | .335(8.51) | .898(22.8) |
| 6-1437621-5                        | KCB900A1/4 | Natural | .937(23.8) | .197(5.08) | .709(18.0) | .250(6.35) | .118(3.00) | .335(8.51) | .898(22.8) |
| 6-1437621-7                        | KCB900B1/4 | Black   | .937(23.8) | .197(5.08) | .709(18.0) | .250(6.35) | .118(3.00) | .335(8.51) | .898(22.8) |

**Knobs, Machined Aluminum**

**KD SERIES**



KD1250B1/4



| Tyco Diamond Knurl with Indicator Line |            |         |            |            |            |            |            |            |            |
|--|------------|---------|------------|------------|------------|------------|------------|------------|------------|
| Electronics                            | Alcoswitch | Color   | A          | B          | C          | D          | E          | F          | G          |
| 7-1437621-1                            | KD500A1/8  | Natural | .500(12.7) | .430(10.9) | .380(9.65) | .430(10.9) | .630(16.0) | .510(13.0) | .470(11.9) |
| 7-1437621-0                            | KD500A1/4  | Natural | .500(12.7) | .430(10.9) | .380(9.65) | .430(10.9) | .630(16.0) | .510(13.0) | .470(11.9) |
| 7-1437621-3                            | KD500B1/8  | Black   | .500(12.7) | .430(10.9) | .380(9.65) | .430(10.9) | .630(16.0) | .510(13.0) | .470(11.9) |
| 7-1437621-2                            | KD500B1/4  | Black   | .500(12.7) | .430(10.9) | .380(9.65) | .430(10.9) | .630(16.0) | .510(13.0) | .470(11.9) |
| 7-1437621-4                            | KD700A1/4  | Natural | .750(19.1) | .660(16.8) | .590(15.0) | .660(16.8) | .630(16.0) | .510(13.0) | .470(11.9) |
| 7-1437621-5                            | KD700B1/4  | Black   | .750(19.1) | .660(16.8) | .590(15.0) | .660(16.8) | .630(16.0) | .510(13.0) | .470(11.9) |
| 7-1437621-6                            | KD900A1/4  | Natural | .940(23.9) | .820(20.8) | .710(18.0) | .820(20.8) | .630(16.0) | .510(13.0) | .470(11.9) |
| 7-1437621-7                            | KD900B1/4  | Black   | .940(23.9) | .820(20.8) | .710(18.0) | .820(20.8) | .630(16.0) | .510(13.0) | .470(11.9) |
| 6-1437621-8                            | KD1250A1/4 | Natural | 1.25(31.8) | 1.11(28.2) | .980(24.9) | 1.11(28.2) | .750(19.1) | .630(16.0) | .590(15.0) |
| 6-1437621-9                            | KD1250B1/4 | Black   | 1.25(31.8) | 1.11(28.2) | .980(24.9) | 1.11(28.2) | .750(19.1) | .630(16.0) | .590(15.0) |

**KE SERIES**



KE900AB1/4



KE500AB1/4

| Tyco Knurl Grip with Top Dot Indicator |             |             |            |            |            |            |            |            |  |
|--|-------------|-------------|------------|------------|------------|------------|------------|------------|--|
| Electronics                            | Alcoswitch  | Color       | A          | B          | C          | D          | E          | F          |  |
| 8-1437621-0                            | KE500AB1/8  | Ntl. - Blk. | .500(12.7) | .126(3.20) | .382(9.70) | .460(11.7) | .625(15.9) | .512(13.0) |  |
| 7-1437621-9                            | KE500AB1/4  | Ntl. - Blk. | .500(12.7) | .126(3.20) | .382(9.70) | .460(11.7) | .625(15.9) | .512(13.0) |  |
| 8-1437621-1                            | KE700AB1/4  | Ntl. - Blk. | .740(18.8) | .251(6.38) | .630(16.0) | .708(18.0) | .625(15.9) | .512(13.0) |  |
| 8-1437621-2                            | KE900AB1/4  | Ntl. - Blk. | .93(23.8)  | .251(6.38) | .787(20.0) | .900(22.9) | .625(15.9) | .512(13.0) |  |
| 7-1437621-8                            | KE1250AB1/4 | Ntl. - Blk. | 1.25(31.8) | .251(6.38) | 1.06(26.9) | 1.17(29.7) | .625(15.9) | .512(13.0) |  |

**KES SERIES**



KES500AB1/4



| Tyco Knurl Grip with Dot Indicator on Skirt |             |             |            |            |            |            |            |            |  |
|---|-------------|-------------|------------|------------|------------|------------|------------|------------|--|
| Electronics                                 | Alcoswitch  | Color       | A          | B          | C          | D          | E          | F          |  |
| 8-1437621-4                                 | KES500AB1/8 | Ntl. - Blk. | .500(12.7) | .460(11.7) | .382(9.70) | .750(19.1) | .625(15.9) | .512(13.0) |  |
| 8-1437621-3                                 | KES500AB1/4 | Ntl. - Blk. | .500(12.7) | .460(11.7) | .382(9.70) | .750(19.1) | .625(15.9) | .512(13.0) |  |
| 8-1437621-5                                 | KES700AB1/4 | Ntl. - Blk. | .750(19.1) | .710(18.1) | .630(16.0) | 1.13(28.7) | .625(15.9) | .512(13.0) |  |
|   | KES900AB1/4 | Ntl. - Blk. | .937(23.8) | .897(22.8) | .787(20.0) | 1.44(36.6) | .625(15.9) | .512(13.0) |  |

**K**

**K Series**

**Knobs, Machined Aluminum**

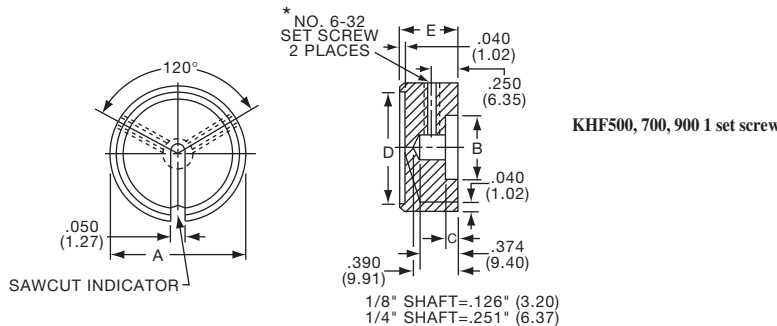
**KFS SERIES**



KFS400B1/8

| Tyco        |            |             | Straight Knurl with Indicator on Skirt |            |            |            |            |            |             |
|-------------|------------|-------------|--|------------|------------|------------|------------|------------|-------------|
| Electronics | Alcoswitch | Color       | A                                      | B          | C          | D          | E          | F          | G           |
| 8-1437621-6 | KFS400B1/8 | Black Matte | .380(9.65)                             | .382(9.70) | .256(6.50) | .500(12.7) | .098(2.49) | .469(11.9) | .591(15.0)  |
| 8-1437621-8 | KFS500B1/8 | Black Matte | .500(12.7)                             | .382(9.70) | .252(6.48) | .630(16.0) | .161(4.09) | .469(11.9) | .630(16.0)  |
| 8-1437621-7 | KFS500B1/4 | Black Matte | .618(15.7)                             | .280(7.11) | .382(9.70) | 1.00(25.4) | .161(4.09) | .630(16.0) | 0.811(20.6) |
| 8-1437621-9 | KFS600B1/4 | Black Matte | .618(15.7)                             | .280(7.11) | .382(9.70) | 1.00(25.4) | .161(4.09) | .630(16.0) | 0.811(20.6) |

**KHF SERIES**



KHF500A1/4

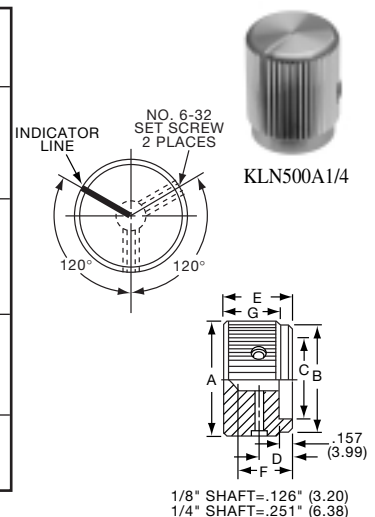


KHF900A1/4

| Tyco         |             |         | Plain Body with Top and Side Sawcut Indicator |            |            |            |            |
|--------------|-------------|---------|---|------------|------------|------------|------------|
| Electronics  | Alcoswitch  | Color   | A   | B          | C          | D          | E          |
| 9-1437621-1  | KHF500A1/4  | Natural | .500(12.7)                                    | .374(9.50) | .118(3.00) | .342(8.69) | .563(14.3) |
| 9-1437621-2  | KHF700A1/4  | Natural | .740(18.8)                                    | .590(15.0) | .118(3.00) | .592(15.0) | .563(14.3) |
| 9-1437621-3  | KHF900A1/4  | Natural | .937(23.8)                                    | .708(18.0) | .118(3.00) | .779(19.8) | .563(14.3) |
| *9-1437621-0 | KHF1250A1/4 | Natural | 1.23(31.8)                                    | .984(25.0) | .118(3.00) | 1.08(27.5) | .563(14.3) |

**KLN SERIES**

| Tyco        |             |         | Straight Knurl with Top and Side Indicator |              |             |            |            |            |            |
|-------------|-------------|---------|--|--------------|-------------|------------|------------|------------|------------|
| Electronics | Alcoswitch  | Color   | A  | B            | C           | D          | E          | F          | G          |
| 9-1437621-7 | KLN500A1/8  | Natural | .500(12.7)                                 | 0.445(11.3)  | .374(9.50)  | .281(7.14) | .625(15.9) | .512(13.0) | .527(13.4) |
| 9-1437621-6 | KLN500A1/4  | Natural | .500(12.7)                                 | 0.445(11.3)  | .374(9.50)  | .281(7.14) | .625(15.9) | .512(13.0) | .527(13.4) |
| 9-1437621-9 | KLN500B1/8  | Black   | .500(12.7)                                 | 0.445(11.3)  | .374(9.50)  | .281(7.14) | .625(15.9) | .512(13.0) | .527(13.4) |
| 9-1437621-8 | KLN500B1/4  | Black   | .500(12.7)                                 | 0.445(11.3)  | .374(9.50)  | .281(7.14) | .625(15.9) | .512(13.0) | .527(13.4) |
| 1437622-1   | KLN500S1/4  | Smoke   | .500(12.7)                                 | 0.445(11.3)  | .374(9.50)  | .281(7.14) | .625(15.9) | .512(13.0) | .527(13.4) |
| 1437622-2   | KLN700A1/4  | Natural | .740(18.8)                                 | .685(17.4)   | .591(15.0)  | .281(7.14) | .625(15.9) | .512(13.0) | .527(13.4) |
| 1437622-3   | KLN700B1/4  | Black   | .740(18.8)                                 | .685(17.4)   | .591(15.0)  | .281(7.14) | .625(15.9) | .512(13.0) | .527(13.4) |
| 1437622-4   | KLN700B1/8  | Black   | .740(18.8)                                 | .685(17.4)   | .591(15.0)  | .281(7.14) | .625(15.9) | .512(13.0) | .527(13.4) |
| 1437622-5   | KLN700S1/4  | Smoke   | .740(18.8)                                 | .685(17.4)   | .591(15.0)  | .281(7.14) | .625(15.9) | .512(13.0) | .527(13.4) |
| 1437622-6   | KLN900A1/4  | Natural | .937(23.8)                                 | .882(22.4)   | 0.709(18.0) | .281(7.14) | .625(15.9) | .512(13.0) | .527(13.4) |
| 1437622-7   | KLN900B1/4  | Black   | .937(23.8)                                 | .882(22.4)   | 0.709(18.0) | .281(7.14) | .625(15.9) | .512(13.0) | .527(13.4) |
| 1437622-8   | KLN900S1/4  | Smoke   | .937(23.8)                                 | .882(22.4)   | 0.709(18.0) | .281(7.14) | .625(15.9) | .512(13.0) | .527(13.4) |
| 9-1437621-4 | KLN1250A1/4 | Natural | 1.252(31.80)                               | 1.195(30.35) | .984(25.0)  | .281(7.14) | .625(15.9) | .512(13.0) | .527(13.4) |
| 9-1437621-5 | KLN1250B1/4 | Black   | 1.252(31.80)                               | 1.195(30.35) | .984(25.0)  | .281(7.14) | .625(15.9) | .512(13.0) | .527(13.4) |



**Knobs, Machined Aluminum**

**KLNS SERIES**



KLNS500B1/8



KLNS900B1/4

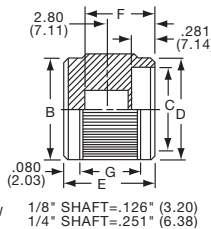


| Tyco Straight Knurl with Indicator Line on Top, Side and Skirt |             |         |            |            |            |            |            |            |
|--|-------------|---------|------------|------------|------------|------------|------------|------------|
| Electronics  | Alcoswitch  | Color   | A          | B          | C          | D          | E          | G          |
| 1-1437622-6  | KLNS500A1/8 | Natural | .500(12.7) | .280(7.11) | .380(9.65) | .750(19.0) | .160(4.07) | .630(16.0) |
| 1-1437622-5  | KLNS500A1/4 | Natural | .500(12.7) | .280(7.11) | .380(9.65) | .750(19.0) | .160(4.07) | .630(16.0) |
| 1-1437622-8  | KLNS500B1/8 | Black   | .500(12.7) | .280(7.11) | .380(9.65) | .750(19.0) | .160(4.07) | .630(16.0) |
| 1-1437622-7  | KLNS500B1/4 | Black   | .500(12.7) | .280(7.11) | .380(9.65) | .750(19.0) | .160(4.07) | .630(16.0) |
| 2-1437622-0  | KLNS700A1/4 | Natural | .750(19.0) | .280(7.11) | .590(14.9) | 1.13(28.7) | .160(4.07) | .630(16.0) |
| 2-1437622-1  | KLNS700B1/4 | Black   | .750(19.0) | .280(7.11) | .590(14.9) | 1.13(28.7) | .160(4.07) | .630(16.0) |
| 2-1437622-2  | KLNS900A1/4 | Natural | .940(23.9) | .280(7.11) | .710(18.0) | 1.40(35.5) | .160(4.07) | .630(16.0) |
| 2-1437622-3  | KLNS900B1/4 | Black   | .940(23.9) | .280(7.11) | .710(18.0) | 1.40(35.5) | .160(4.07) | .630(16.0) |

**KN SERIES**



KN501A1/4



NO. 6-32 SET SCREW 2 PLACES  
1/8" SHAFT=.126" (3.20)  
1/4" SHAFT=.251" (6.38)



ARROW INDICATOR

| Tyco Straight Knurl with Arrowhead Indicator |            |             |                 |            |            |            |            |            |
|--|------------|-------------|-----------------|------------|------------|------------|------------|------------|
| Electronics                                  | Alcoswitch | Color       | A               | B          | C          | D          | E          | G          |
| 5-1437622-1                                  | KN501A1/8  | Natural     | .500(12.7)      | .445(11.3) | .374(9.50) | .445(11.3) | .625(15.9) | .512(13.0) |
| 5-1437622-0                                  | KN501A1/4  | Natural     | .500(12.7)      | .445(11.3) | .374(9.50) | .445(11.3) | .625(15.9) | .512(13.0) |
| 5-1437622-3                                  | KN501B1/8  | Black       | .500(12.7)      | .445(11.3) | .374(9.50) | .445(11.3) | .625(15.9) | .512(13.0) |
| 5-1437622-2                                  | KN501B1/4  | Black       | .500(12.7)      | .445(11.3) | .374(9.50) | .445(11.3) | .625(15.9) | .512(13.0) |
| 6-1437622-2                                  | KN701A1/4  | Natural     | .750(19.1)      | .695(17.7) | .590(15.0) | .695(17.7) | .625(15.9) | .512(13.0) |
| 6-1437622-3                                  | KN701B1/4  | Black       | .750(19.1)      | .695(17.7) | .590(15.0) | .695(17.7) | .625(15.9) | .512(13.0) |
| <b>Two Toned</b>                             |            |             | <b>Body-Top</b> |            |            |            |            |            |
| 5-1437622-5                                  | KN501BA1/8 | Blk. - Ntl. | .500(12.7)      | .445(11.3) | .374(9.50) | .445(11.3) | .625(15.9) | .512(13.0) |
| 5-1437622-4                                  | KN501BA1/4 | Blk. - Ntl. | .500(12.7)      | .445(11.3) | .374(9.50) | .445(11.3) | .625(15.9) | .512(13.0) |
| 6-1437622-5                                  | KN701BA1/8 | Blk. - Ntl. | .750(19.1)      | .695(17.7) | .590(15.0) | .695(17.7) | .625(15.9) | .512(13.0) |
| 6-1437622-4                                  | KN701BA1/4 | Blk. - Ntl. | .750(19.1)      | .695(17.7) | .590(15.0) | .695(17.7) | .625(15.9) | .512(13.0) |

**KN SERIES**



KN1751AS1/4



KN1751B1/4



1/4" SHAFT=.251" (6.38)

| Tyco Straight Knurl with & without "Fingertip" Spinner |             |                |            |            |            |            |            |            |
|--|-------------|----------------|------------|------------|------------|------------|------------|------------|
| Electronics  | Alcoswitch  | Color          | A          | B          | C          | D          | E          | G          |
| <b>Less Indicator</b>                                  |             |                |            |            |            |            |            |            |
| 3-1437622-2  | KN1751A1/4  | Natural        | 1.75(44.5) | 1.55(39.4) | 1.38(35.1) | 1.65(41.9) | .620(15.0) | .508(12.9) |
| 3-1437622-6  | KN1751B1/4  | Black          | 1.75(44.5) | 1.55(39.4) | 1.38(35.1) | 1.65(41.9) | .620(15.8) | .508(12.9) |
| <b>Two Toned</b>                                       |             |                |            |            |            |            |            |            |
| 3-1437622-3  | KN1751AB1/4 | Ntl. - Blk.    | 1.75(44.5) | 1.55(39.4) | 1.38(35.1) | 1.65(41.9) | .620(15.8) | .508(12.9) |
| 3-1437622-7  | KN1751BA1/4 | Blk. - Natural | 1.75(44.5) | 1.55(39.4) | 1.38(35.1) | 1.65(41.9) | .620(15.8) | .508(12.9) |
| <b>With Indicator</b>                                  |             |                |            |            |            |            |            |            |
| 3-1437622-5  | KN1750A1/4  | Natural        | 1.75(44.5) | 1.55(39.4) | 1.38(35.1) | 1.65(41.9) | .620(15.8) | .508(12.9) |
| 3-1437622-1  | KN1750B1/4  | Black          | 1.75(44.5) | 1.55(39.4) | 1.38(35.1) | 1.65(41.9) | .620(15.8) | .508(12.9) |
| <b>With Spinner/Less Indicator</b>                     |             |                |            |            |            |            |            |            |
| 3-1437622-5  | KN1751AS1/4 | Natural        | 1.75(44.5) | 1.55(39.4) | 1.38(35.1) | 1.65(41.9) | .620(15.8) | .508(12.9) |
| 3-1437622-8  | KN1751BS1/4 | Black          | 1.75(44.5) | 1.55(39.4) | 1.38(35.1) | 1.65(41.9) | .620(15.8) | .508(12.9) |

**K**

**K Series**

K8



**Knobs, Machined Aluminum**



KN SERIES



KN5700B1/4

| Concentric Set with Straight Knurl with Indicator Lines |            |         |            |            |            |            |            |            |            |
|---|------------|---------|------------|------------|------------|------------|------------|------------|------------|
| Tyco Electronics  | Alcoswitch | Color   | A          | B          | C          | D          | E          | F          | G          |
| 5-1437622-6   | KN5700A1/4 | Natural | .750(19.1) | .500(12.7) | .590(15.0) | .700(17.8) | .625(15.9) | 1.16(29.5) | .281(7.14) |
| 5-1437622-7   | KN5700B1/4 | Black   | .750(19.1) | .500(12.7) | .590(15.0) | .700(17.8) | .625(15.9) | 1.16(29.5) | .281(7.14) |

| Straight Knurl with & without Indicator Line Diameter Dimensions |             |                |            |            |            |            |            |            |            |
|--|-------------|----------------|------------|------------|------------|------------|------------|------------|------------|
| Tyco Electronics   | Alcoswitch  | Color Body-Top | A          | B          | C          | D          | E          | F          | G          |
| 4-1437622-3  | KN500A1/8   | Natural        | .500(12.7) | .445(11.3) | .374(9.50) | .445(11.5) | .625(15.9) | .512(13.0) | .456(11.6) |
| 4-1437622-2  | KN500A1/4   | Natural        | .500(12.7) | .445(11.3) | .374(9.50) | .445(11.5) | .625(15.9) | .512(13.0) | .456(11.6) |
| 4-1437622-7  | KN500B1/8   | Black          | .500(12.7) | .445(11.3) | .374(9.50) | .445(11.5) | .625(15.9) | .512(13.0) | .456(11.6) |
| 4-1437622-6  | KN500B1/4   | Black          | .500(12.7) | .445(11.3) | .374(9.50) | .445(11.5) | .625(15.9) | .512(13.0) | .456(11.6) |
| 5-1437622-8  | KN700A1/4   | Natural        | .750(19.1) | .695(17.7) | .590(15.0) | .695(17.7) | .625(15.9) | .512(13.0) | .456(11.6) |
| 6-1437622-0  | KN700B1/4   | Black          | .750(19.1) | .695(17.7) | .590(15.0) | .695(17.7) | .625(15.9) | .512(13.0) | .456(11.6) |
| 6-1437622-6  | KN900A1/4   | Natural        | .949(24.1) | .894(22.7) | .696(17.7) | .894(22.7) | .625(15.9) | .512(13.0) | .456(11.6) |
| 6-1437622-8  | KN900B1/4   | Black          | .949(24.1) | .894(22.7) | .696(17.7) | .894(22.7) | .625(15.9) | .512(13.0) | .456(11.7) |
| 2-1437622-5  | KN1250A1/4  | Natural        | 1.25(31.8) | 1.20(30.5) | .984(25.0) | 1.20(30.5) | .625(15.9) | .512(13.0) | .456(11.6) |
| 2-1437622-7  | KN1250B1/4  | Black          | 1.25(31.8) | 1.20(30.5) | .984(25.0) | 1.20(30.5) | .625(15.9) | .512(13.0) | .456(11.6) |
| <b>Two-Toned</b>   |             |                |            |            |            |            |            |            |            |
| 4-1437622-5  | KN500AB1/8  | Ntl - Blk.     | .500(12.7) | .445(11.3) | .374(9.50) | .445(11.5) | .625(15.9) | .512(13.0) | .456(11.6) |
| 4-1437622-4  | KN500AB1/4  | Ntl - Blk.     | .500(12.7) | .445(11.3) | .374(9.50) | .445(11.5) | .625(15.9) | .512(13.0) | .456(11.6) |
| 4-1437622-9  | KN500BA1/8  | Blk - Ntl.     | .500(12.7) | .445(11.3) | .374(9.50) | .445(11.5) | .625(15.9) | .512(13.0) | .456(11.6) |
| 4-1437622-8  | KN500BA1/4  | Blk - Ntl.     | .500(12.7) | .445(11.3) | .374(9.50) | .445(11.5) | .625(15.9) | .512(13.0) | .456(11.6) |
| 5-1437622-9  | KN700AB1/4  | Ntl - Blk.     | .750(19.1) | .695(17.7) | .445(11.5) | .695(17.7) | .625(15.9) | .512(13.0) | .456(11.6) |
| 6-1437622-1  | KN700BA1/4  | Blk - Ntl.     | .750(19.1) | .695(17.7) | .445(11.5) | .695(17.7) | .625(15.9) | .512(13.0) | .456(11.6) |
| 6-1437622-7  | KN900AB1/4  | Ntl - Blk.     | .949(24.1) | .894(22.7) | .695(17.7) | .894(22.7) | .625(15.9) | .512(13.0) | .456(11.6) |
| 6-1437622-9  | KN900BA1/4  | Blk - Ntl.     | .949(24.1) | .894(22.7) | .695(17.7) | .894(22.7) | .625(15.9) | .512(13.0) | .456(11.7) |
| 2-1437622-6  | KN1250AB1/4 | Ntl - Blk.     | 1.25(31.8) | 1.20(30.5) | .984(25.0) | 1.20(30.5) | .625(15.9) | .512(13.0) | .456(11.6) |
| 2-1437622-8  | KN1250BA1/4 | Blk - Ntl.     | 1.25(31.8) | 1.20(30.5) | .984(25.0) | 1.20(30.5) | .625(15.9) | .512(13.0) | .456(11.6) |
| <b>Less Indicator</b>  |             |                |            |            |            |            |            |            |            |
| 2-1437622-9  | KN1251A1/4  | Natural        | 1.25(31.8) | 1.20(30.5) | .984(25.0) | 1.25(31.7) | .625(15.9) | .512(13.0) | .456(11.7) |
| 3-1437622-0  | KN1251B1/4  | Black          | 1.25(31.8) | 1.20(30.5) | .984(25.0) | 1.25(31.7) | .625(15.9) | .512(13.0) | .456(11.7) |

KN SERIES



KN500A1/4



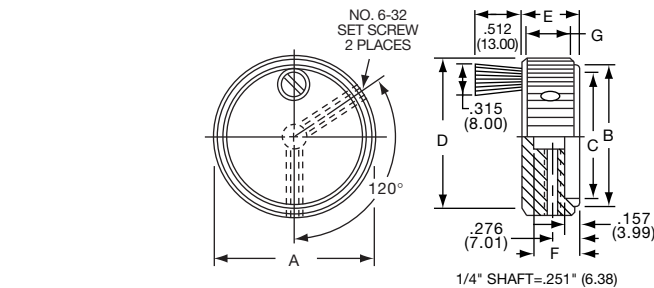
KN900BA1/4



KN SERIES



KN1755BS1/4



| Straight Knurl with "Crank" Spinner |              |                     |            |            |            |            |            |            |            |
|-------------------------------------|--------------|---------------------|------------|------------|------------|------------|------------|------------|------------|
| Tyco Electronics                    | Alcoswitch   | Color Body-Top/Spin | A          | B          | C          | D          | E          | F          | G          |
| 4-1437622-1                         | KN1755AS1/4  | Natural             | 1.76(44.7) | 1.56(39.5) | .138(35.0) | 1.65(41.8) | .630(16.0) | .512(13.0) | .492(12.5) |
| 4-1437622-1                         | KN1755BS1/4  | Black               | 1.76(44.7) | 1.56(39.5) | .138(35.0) | 1.65(41.8) | .630(16.0) | .512(13.0) | .492(12.5) |
| 3-1437622-9                         | KN1755ABS1/4 | Ntl.-Blk./Blk.      | 1.76(44.7) | 1.56(39.5) | 1.38(35.0) | 1.65(41.8) | .630(16.0) | .512(13.0) | .492(12.5) |
| 4-1437622-0                         | KN1755BAS1/4 | Blk.-Ntl. Blk.      | 1.76(44.7) | 1.56(39.5) | 1.38(35.0) | 1.65(41.8) | .630(16.0) | .512(13.0) | .492(12.5) |

**Knobs, Machined Aluminum**

**KNS SERIES**



KNS501A1/4



KNS701B1/4

KNS701BA1/4

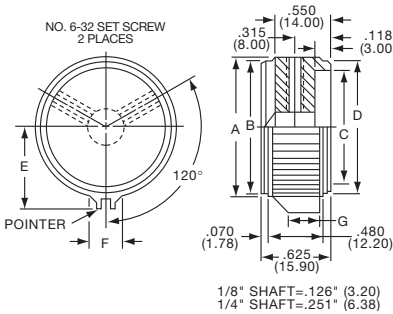


| Tyco                            |             | Straight Knurl with Arrowhead Indicator on Skirt |            |            |            |            |            |            |            |
|---------------------------------|-------------|--|------------|------------|------------|------------|------------|------------|------------|
| Electronics                     | Alcoswitch  | Color  | A          | B          | C          | D          | E          | F          | G          |
| 7-1437622-3                     | KNS501A1/8  | Natural  | .500(12.7) | .445(11.3) | .370(9.40) | .750(19.1) | .625(15.9) | .512(13.0) | .428(10.9) |
| 7-1437622-2                     | KNS501A1/4  | Natural  | .500(12.7) | .445(11.3) | .370(9.40) | .750(19.1) | .625(15.9) | .512(13.0) | .428(10.9) |
| 7-1437622-5                     | KNS501B1/8  | Black  | .500(12.7) | .445(11.3) | .370(9.40) | .750(19.1) | .625(15.9) | .512(13.0) | .428(10.9) |
| 7-1437622-4                     | KNS501B1/4  | Black  | .500(12.7) | .445(11.3) | .370(9.40) | .750(19.1) | .625(15.9) | .512(13.0) | .428(10.9) |
| 7-1437622-8                     | KNS701A1/4  | Natural  | .750(19.1) | .695(17.7) | .590(15.0) | 1.12(28.5) | .625(15.9) | .512(13.0) | .428(10.9) |
| 7-1437622-9                     | KNS701B1/4  | Black  | .750(19.1) | .695(17.7) | .590(15.0) | 1.12(28.5) | .625(15.9) | .512(13.0) | .428(10.9) |
| <b>Two-Toned Body-Top/Skirt</b> |             |  |            |            |            |            |            |            |            |
| 7-1437622-7                     | KNS501BA1/8 | Blk.- Ntl.                                       | .500(12.7) | .695(17.7) | .370(9.40) | .750(19.1) | .625(15.9) | .512(13.0) | .428(10.9) |
| 7-1437622-6                     | KNS501BA1/4 | Blk.- Ntl.                                       | .500(12.7) | .695(17.7) | .370(9.40) | .750(19.1) | .625(15.9) | .512(13.0) | .428(10.9) |
| 8-1437622-1                     | KNS701BA1/8 | Blk.- Ntl.                                       | .750(19.1) | .695(17.7) | .590(15.0) | 1.12(28.5) | .625(15.9) | .512(13.0) | .428(10.9) |
| 8-1437622-0                     | KNS701BA1/4 | Blk.- Ntl.                                       | .750(19.1) | .695(17.7) | .590(15.0) | 1.12(28.5) | .625(15.9) | .512(13.0) | .428(10.9) |

**KPN SERIES**



KPN500B1/8



| Tyco        |            | Straight Knurl with Pointer and Indicator Line |            |             |            |            |            |            |            |
|-------------|------------|--|------------|-------------|------------|------------|------------|------------|------------|
| Electronics | Alcoswitch | Color  | A          | B           | C          | D          | E          | F          | G          |
| 9-1437622-1 | KPN500A1/8 | Natural  | .500(12.7) | .445(11.3)  | .372(9.45) | .445(11.3) | .368(9.35) | .195(4.95) | .354(8.99) |
| 9-1437622-0 | KPN500A1/4 | Natural  | .500(12.7) | .445(11.3)  | .372(9.45) | .445(11.3) | .368(9.35) | .195(4.95) | .354(8.99) |
| 9-1437622-3 | KPN500B1/8 | Black  | .500(12.7) | .445(11.3)  | .372(9.45) | .445(11.3) | .368(9.35) | .195(4.95) | .354(8.99) |
| 9-1437622-2 | KPN500B1/4 | Black  | .500(12.7) | .445(11.3)  | .372(9.45) | .445(11.3) | .368(9.35) | .195(4.95) | .354(8.99) |
| 9-1437622-5 | KPN700A1/4 | Natural  | .750(19.1) | .695(17.65) | .590(15.0) | .695(17.7) | .515(13.1) | .234(5.94) | .394(10.0) |
| 9-1437622-6 | KPN700B1/4 | Black  | .750(19.1) | .695(17.65) | .590(15.0) | .695(17.7) | .515(13.1) | .234(5.94) | .394(10.0) |
| 9-1437622-7 | KPN900A1/4 | Natural  | .937(23.8) | .882(22.40) | .692(17.6) | .882(22.4) | .630(16.0) | .276(7.01) | .350(8.90) |
| 9-1437622-9 | KPN900B1/4 | Black  | .937(23.8) | .882(22.40) | .692(17.6) | .882(22.4) | .630(16.0) | .276(7.01) | .350(8.90) |

**KS SERIES**



KS500A1/4



| Tyco        |            | 3 Flute Design with Aluminum Skirt and Indicator Line |            |            |            |            |            |            |            |
|-------------|------------|---|------------|------------|------------|------------|------------|------------|------------|
| Electronics | Alcoswitch | Color   | A          | B          | C          | D          | E          | F          | G          |
| 1437623-3   | KS500A1/8  | Natural   | .500(12.7) | .430(10.9) | .360(9.14) | .750(19.1) | .620(15.8) | .510(13.0) | .430(10.9) |
| 1437623-2   | KS500A1/4  | Natural   | .500(12.7) | .430(10.9) | .360(9.14) | .750(19.1) | .620(15.8) | .510(13.0) | .430(10.9) |
| 1437623-5   | KS500B1/8  | Black   | .500(12.7) | .430(10.9) | .360(9.14) | .750(19.1) | .620(15.8) | .510(13.0) | .430(10.9) |
| 1437623-4   | KS500B1/4  | Black   | .500(12.7) | .430(10.9) | .360(9.14) | .750(19.1) | .620(15.8) | .510(13.0) | .430(10.9) |
| 1437623-6   | KS700A1/4  | Natural   | .750(19.0) | .650(16.5) | .590(14.9) | 1.12(28.4) | .620(15.8) | .510(13.0) | .430(10.9) |
| 1437623-7   | KS700B1/4  | Black   | .750(19.0) | .650(16.5) | .590(14.9) | 1.12(28.4) | .620(15.8) | .510(13.0) | .430(10.9) |
| 1437623-8   | KS900A1/4  | Natural   | .940(23.9) | .820(20.8) | .710(18.0) | 1.40(35.6) | .620(15.8) | .510(13.0) | .430(10.9) |
| 1437623-9   | KS900B1/4  | Black   | .940(23.9) | .820(20.8) | .710(18.0) | 1.40(35.6) | .620(15.8) | .510(13.0) | .430(10.9) |



KS900B1/4

**K**

**K Series**

K10

**Knobs, Machined Aluminum**



**KT SERIES**



KT500A1/4



KT700A1/4

| Tyco        |            | Square Serration with Indicator Line |            |            |            |            |            |            |            |
|-------------|------------|--------------------------------------|------------|------------|------------|------------|------------|------------|------------|
| Electronics | Alcoswitch | Color                                | A          | B          | C          | D          | E          | F          | G          |
| 1-1437623-2 | KT500A1/4  | Natural                              | .500(12.7) | .430(10.9) | .375(9.53) | .430(10.9) | .280(7.11) | .510(13.0) | .630(16.0) |
| 1-1437623-4 | KT500B1/8  | Black                                | .500(12.7) | .430(10.9) | .375(9.53) | .430(10.9) | .280(7.11) | .510(13.0) | .630(16.0) |
| 1-1437623-3 | KT500B1/4  | Black                                | .500(12.7) | .430(10.9) | .375(9.53) | .430(10.9) | .280(7.11) | .510(13.0) | .630(16.0) |
| 1-1437623-6 | KT700A1/4  | Natural                              | .740(18.8) | .650(16.5) | .590(15.0) | .650(16.5) | .280(7.11) | .510(13.0) | .630(16.0) |
| 1-1437623-7 | KT700B1/4  | Black                                | .740(18.8) | .650(16.5) | .590(15.0) | .650(16.5) | .280(7.11) | .510(13.0) | .630(16.0) |
| 1-1437623-8 | KT900A1/4  | Natural                              | .940(23.9) | .816(20.7) | .710(18.0) | .816(20.7) | .280(7.11) | .510(13.0) | .630(16.0) |
| 1-1437623-9 | KT900B1/4  | Black                                | .940(23.9) | .816(20.7) | .710(18.0) | .816(20.7) | .280(7.11) | .510(13.0) | .630(16.0) |



**KU SERIES**



KU402B1/8

| Tyco        |            | Serrated Diamond Trim Cut with Dot Indicator |            |            |            |            |            |            |             |
|-------------|------------|--|------------|------------|------------|------------|------------|------------|-------------|
| Electronics | Alcoswitch | Color  | A          | B          | C          | D          | E          | F          | G           |
| 2-1437623-1 | KU401B1/8  | Black  | .374(9.50) | .283(7.19) | .276(7.01) | .098(2.49) | .177(4.50) | .236(5.99) | .299(7.60)  |
| 2-1437623-2 | KU402B1/8  | Black  | .374(9.50) | .283(7.19) | .276(7.01) | .098(2.49) | .197(5.00) | .354(8.99) | .449(11.40) |
| 2-1437623-3 | KU500B1/8  | Black  | .500(12.7) | .409(10.4) | .374(9.50) | .118(3.00) | .276(7.01) | .512(13.0) | .598(15.2)  |
|             | KU500B1/4  | Black  | .500(12.7) | .409(10.4) | .374(9.50) | .118(3.00) | .276(7.01) | .512(13.0) | .598(15.2)  |
| 2-1437623-4 | KU700B1/4  | Black  | .740(18.8) | .650(16.5) | .591(15.0) | .118(3.00) | .276(7.01) | .512(13.0) | .598(15.2)  |



**KUS SERIES**



KUS402B1/8



KUS700B1/4

| Tyco        |            | Serrated Diamond Trim Cut with Dot Indicator |            |            |            |            |            |            |            |
|-------------|------------|--|------------|------------|------------|------------|------------|------------|------------|
| Electronics | Alcoswitch | Color  | A          | B          | C          | D          | E          | F          | G          |
| 2-1437623-9 | KUS402B1/8 | Black  | .374(9.50) | .197(5.00) | .276(7.01) | .520(13.2) | .098(2.49) | .450(11.4) | .354(8.99) |
| 3-1437623-0 | KUS500B1/8 | Black  | .500(12.7) | .276(7.01) | .374(9.50) | .700(17.8) | .118(3.00) | .600(15.2) | .512(13.0) |
|             | KUS500B1/4 | Black  | .500(12.7) | .276(7.01) | .374(9.50) | .700(17.8) | .118(3.00) | .600(15.2) | .512(13.0) |
| 3-1437623-1 | KUS700B1/4 | Black  | .740(18.8) | .276(7.01) | .591(15.0) | 1.03(26.2) | .118(3.00) | .600(15.2) | .512(13.0) |

Note: KUS402B1/8 has #4.40 setscrew

**Knobs, Molded Phenolic**

**PH SERIES**



PH15181/4



| Tyco        |            | Straight Knurl Less Indicator Line |            |            |            |            |            |
|-------------|------------|------------------------------------|------------|------------|------------|------------|------------|
| Electronics | Alcoswitch | A                                  | B          | C          | D          | E          | F          |
| 1437624-2   | PH15181/4  | .996(25.3)                         | .972(24.7) | .799(20.3) | .472(12.0) | .669(17.0) | .157(3.99) |

**PK SERIES**



PK50B1/8



PK701/4



| Tyco        |            | Straight Knurl with Dot Indicator on Skirt |            |             |            |            |             |
|-------------|------------|--|------------|-------------|------------|------------|-------------|
| Electronics | Alcoswitch | A  | B          | C           | D          | E          | F           |
| 1437624-7   | PK50B1/8   | .748(19.0)                                 | .570(14.5) | .500(12.70) | .055(1.40) | .460(11.7) | .550(13.97) |
| 1437624-6   | PK50B1/4   | .748(19.0)                                 | .570(14.5) | .500(12.70) | .055(1.40) | .460(11.7) | .550(13.97) |
| 1437624-8   | PK70B1/4   | .984(25.0)                                 | .728(18.5) | .710(18.03) | .079(2.01) | .500(12.7) | .590(14.99) |
| 1437624-9   | PK90B1/4   | 1.25(31.8)                                 | .985(25.0) | .870(22.01) | .098(2.49) | .470(11.9) | .595(15.10) |

**PK SERIES**



PK1100B1/4



| Tyco        |            | Serrated with Dot Indicator on Top |            |             |            |             |            |
|-------------|------------|------------------------------------|------------|-------------|------------|-------------|------------|
| Electronics | Alcoswitch | A                                  | B          | C           | D          | E           | F          |
| 1437624-4   | PK1100B1/8 | .700(17.8)                         | .643(16.3) | .565(14.35) | .125(3.18) | .453(11.51) | .530(13.5) |

K

P Series

**Knobs, Molded Phenolic**



**PKA SERIES**



PKA50B1/4



PKA90B1/4

| Tyco        |            | Ribbed with Line Indicator on Skirt |            |            |            |            |            |
|-------------|------------|-------------------------------------|------------|------------|------------|------------|------------|
| Electronics | Alcoswitch | A                                   | B          | C          | D          | E          | F          |
| 1-1437624-1 | PKA50B1/8  | .795(20.2)                          | .580(14.7) | .540(13.7) | .080(2.03) | .450(11.4) | .590(15.0) |
| 1-1437624-0 | PKA50B1/4  | .795(20.2)                          | .580(14.7) | .540(13.7) | .080(2.03) | .450(11.4) | .590(15.0) |
| 1-1437624-4 | PKA55B1/8  | .780(19.8)                          | .580(14.7) | .475(12.1) | .135(3.43) | .585(14.9) | .675(17.2) |
| 1-1437624-3 | PKA55B1/4  | .780(19.8)                          | .580(14.7) | .475(12.1) | .135(3.43) | .585(14.9) | .675(17.2) |
| 1-1437624-5 | PKA70B1/4  | .980(24.9)                          | .740(18.8) | .680(17.3) | .118(3.00) | .650(16.5) | .750(19.1) |
| 1-1437624-7 | PKA90B1/4  | 1.375(34.9)                         | .970(24.6) | .670(17.0) | .195(4.95) | .750(19.1) | .840(21.3) |



**PKAP SERIES**



PKAP50B1/8



PKAP90B1/4

| Tyco        |            | Ribbed with Skirt and Pointer with Indicator Line |            |            |            |            |             |
|-------------|------------|---|------------|------------|------------|------------|-------------|
| Electronics | Alcoswitch | A   | B          | C          | D          | E          | F           |
| 1-1437624-8 | PKAP50B1/4 | .787(20.0)  | .693(17.6) | .508(12.9) | .082(2.08) | .579(14.7) | .689(17.5)  |
| 1-1437624-9 | PKAP50B1/8 | .787(20.0)  | .693(17.6) | .508(12.9) | .082(2.08) | .579(14.7) | .689(17.5)  |
| 2-1437624-0 | PKAP70B1/4 | .976(24.8)  | .874(22.1) | .668(17.0) | .158(4.01) | .634(16.1) | .737(18.72) |

**K**

P Series

**Knobs, Molded Phenolic**

**PKB SERIES**



PKB90B1/4



|                  |            | Fluted with Indicator Line On Skirt |            |            |           |            |            |
|------------------|------------|-------------------------------------|------------|------------|-----------|------------|------------|
| Tyco Electronics | Alcoswitch | A                                   | B          | C          | D         | E          | F          |
| 2-1437624-3      | PKB70B1/4  | 1.12(28.3)                          | .750(19.1) | .670(17.0) | .118(3.0) | .490(12.5) | .600(15.2) |
| 2-1437624-4      | PKB90B1/4  | 1.50(38.1)                          | 1.02(25.8) | .800(20.3) | .118(3.0) | .705(17.9) | .820(20.8) |

**PKD SERIES**



PKD60B1/4



PKD100B1/4



|                  |            | Straight Knurl Aluminum Skirt w/Arrow Indicator |            |            |           |            |            |
|------------------|------------|---|------------|------------|-----------|------------|------------|
| Tyco Electronics | Alcoswitch | A   | B          | C          | D         | E          | F          |
| 2-1437624-8      | PKD60B1/8  | .780(19.8)                                      | .566(14.4) | .487(12.4) | .059(1.5) | .492(12.5) | .563(14.3) |
| 2-1437624-7      | PKD60B1/4  | .780(19.8)                                      | .566(14.4) | .487(12.4) | .059(1.5) | .492(12.5) | .563(14.3) |
| 3-1437624-1      | PKD70B1/4  | 1.02(25.9)                                      | .750(19.1) | .700(17.8) | .080(2.0) | .490(12.5) | .610(15.5) |
| 2-1437624-5      | PKD100B1/4 | 1.29(32.8)                                      | 1.00(25.4) | .865(22.0) | .050(1.3) | .500(12.7) | .590(15.0) |

**PKD SERIES**



PKD60B101/8



PKD100B101/4



|                  |              | Straight Knurl Skirt w/0-10 Numerals |            |            |           |            |            |
|------------------|--------------|--------------------------------------|------------|------------|-----------|------------|------------|
| Tyco Electronics | Alcoswitch   | A                                    | B          | C          | D         | E          | F          |
| 3-1437624-0      | PKD60B101/8  | .780(19.8)                           | .566(14.4) | .487(12.4) | .059(1.5) | .492(12.5) | .563(14.3) |
| 2-1437624-9      | PKD60B101/4  | .780(19.8)                           | .566(14.4) | .487(12.4) | .059(1.5) | .492(12.5) | .563(14.3) |
| 3-1437624-2      | PKD70B101/4  | 1.02(25.9)                           | .750(19.1) | .700(17.8) | .080(2.0) | .490(12.5) | .610(15.5) |
| 2-1437624-6      | PKD100B101/4 | 1.29(32.8)                           | 1.00(25.4) | .865(22.0) | .050(1.3) | .500(12.7) | .590(15.0) |

**K**

**P Series**

**Knobs, Molded Phenolic**



**PKDT SERIES**



PKDT100B1/4

| Tyco Black Spin Cap with "Diamond Cut" and Arrow Indicator |             |            |            |            |            |            |            |
|--|-------------|------------|------------|------------|------------|------------|------------|
| Electronics  | Alcoswitch  | A          | B          | C          | D          | E          | F          |
| 3-1437624-9  | PKDT70B1/4  | 1.03(26.0) | .738(18.8) | .720(18.3) | .098(2.49) | .500(12.7) | .635(16.1) |
| 3-1437624-3  | PKDT100B1/4 | 1.29(32.8) | 1.02(25.9) | .860(21.8) | .042(1.07) | .500(12.7) | .638(16.2) |



**PKDT SERIES**



PKDT100B101/4

| Tyco Black Spin Cap with "Diamond Cut" & 0-10 Numerals |               |            |            |            |            |            |            |
|--|---------------|------------|------------|------------|------------|------------|------------|
| Electronics  | Alcoswitch    | A          | B          | C          | D          | E          | F          |
| 3-1437624-8  | PKDT60B101/8  | .778(19.8) | .605(15.4) | .560(12.5) | .060(1.53) | .392(9.96) | .562(14.3) |
| 4-1437624-0  | PKDT70B101/4  | 1.03(26.0) | .738(18.8) | .720(18.3) | .098(2.49) | .500(12.7) | .635(16.1) |
| 3-1437624-4  | PKDT100B101/4 | 1.29(32.8) | 1.02(25.9) | .860(21.8) | .042(1.07) | .500(12.7) | .638(16.2) |



**PKE SERIES**



PKE90B1/4

| Tyco Fluted with Indicator Line |            |            |            |            |            |
|---------------------------------|------------|------------|------------|------------|------------|
| Electronics                     | Alcoswitch | A          | B          | C          | E          |
| 4-1437624-4                     | PKE60B1/8  | .626(15.9) | .472(12.0) | .091(2.31) | .394(10.0) |
| 4-1437624-3                     | PKE60B1/4  | .626(15.9) | .472(12.0) | .091(2.31) | .394(10.0) |
| 4-1437624-5                     | PKE90B1/4  | .890(22.6) | .724(18.4) | .098(2.49) | .480(12.2) |



**PKES SERIES**



PKES70B1/4

| Tyco Fluted with Skirt and Indicator Line |             |            |            |            |            |            |            |
|---|-------------|------------|------------|------------|------------|------------|------------|
| Electronics                               | Alcoswitch  | A          | B          | C          | D          | E          | F          |
| 5-1437624-1                               | PKES60B1/8  | .748(19.0) | .618(15.7) | .460(11.7) | .090(2.29) | .370(9.40) | .470(11.9) |
| 5-1437624-0                               | PKES60B1/4  | .748(19.0) | .618(15.7) | .460(11.7) | .090(2.29) | .370(9.40) | .470(11.9) |
| 5-1437624-2                               | PKES70B1/4  | .855(21.7) | .744(18.9) | .705(17.9) | .080(2.03) | .421(10.7) | .526(13.4) |
| 5-1437624-3                               | PKES90B1/4  | 1.01(25.7) | .889(22.6) | .846(21.5) | .079(2.01) | .421(10.7) | .570(14.5) |
| 4-1437624-6                               | PKES120B1/4 | 1.30(32.9) | 1.16(29.5) | 1.02(25.9) | .118(3.00) | .500(12.7) | .628(16.0) |
| 4-1437624-7                               | PKES140B1/4 | 1.50(38.1) | 1.37(34.9) | 1.22(30.9) | .118(3.00) | .540(13.7) | .693(17.6) |
| 4-1437624-8                               | PKES150B1/4 | 1.77(44.9) | 1.55(39.4) | 1.41(35.9) | .118(3.00) | .733(18.6) | .831(21.1) |

**Knobs, Molded Phenolic**

**PKF SERIES**



PKF50B1/8



| Tyco        |            | Plain Quadrate with Indicator Line & Arrow |             |             |            |
|-------------|------------|--|-------------|-------------|------------|
| Electronics | Alcoswitch | A  | B           | C           | D          |
| 5-1437624-5 | PKF50B1/8  | .670(17.0)                                 | .454(11.53) | .570(14.48) | .520(13.2) |

**PKG SERIES**



PKG40B1/8



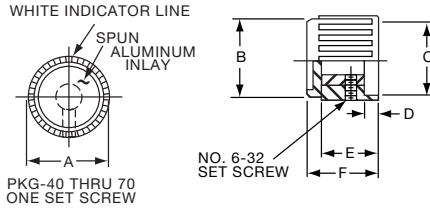
| Tyco        |            | Ribbed with Indicator Line |            |            |            |             |            |
|-------------|------------|----------------------------|------------|------------|------------|-------------|------------|
| Electronics | Alcoswitch | A                          | B          | C          | D          | E           | F          |
| 5-1437624-9 | *PKG40B1/8 | .437(11.1)                 | .410(10.4) | .304(7.72) | .079(2.00) | .385(9.78)  | .472(12.0) |
| 6-1437624-1 | PKG50B1/8  | .551(14.0)                 | .500(12.7) | .442(10.7) | .056(1.42) | .395(10.03) | .512(13.0) |
| 6-1437624-0 | PKG50B1/4  | .551(14.0)                 | .500(12.7) | .442(10.7) | .056(1.42) | .395(10.03) | .512(13.0) |

\*Note: Knob uses #4-40 set screw



**Knobs, Molded Phenolic**

**PKG SERIES**



PKG70B1/8

| Tyco        |            | Ribbed with Indicator Line |            |            |            |            |            |
|-------------|------------|----------------------------|------------|------------|------------|------------|------------|
| Electronics | Alcoswitch | A                          | B          | C          | D          | E          | F          |
| 6-1437624-6 | PKG60B1/8  | .660(16.8)                 | .615(15.6) | .551(14.0) | .080(2.03) | .430(10.9) | .551(14.0) |
| 6-1437624-5 | PKG60B1/4  | .660(16.8)                 | .615(15.6) | .551(14.0) | .080(2.03) | .430(10.9) | .551(14.0) |
| 6-1437624-8 | PKG70B1/8  | .740(18.8)                 | .698(17.7) | .591(15.0) | .080(2.03) | .453(11.5) | .559(14.2) |
| 6-1437624-7 | PKG70B1/4  | .740(18.8)                 | .698(17.7) | .591(15.0) | .080(2.03) | .453(11.5) | .559(14.2) |

**PKG SERIES**



PKG90B1/4

| Tyco        |            | Ribbed with Indicator Line |            |            |            |            |             |
|-------------|------------|----------------------------|------------|------------|------------|------------|-------------|
| Electronics | Alcoswitch | A                          | B          | C          | D          | E          | F           |
| 7-1437624-0 | PKG90B1/8  | .862(21.9)                 | .811(20.6) | .710(18.0) | .080(2.03) | .450(11.4) | .550(13.97) |
| 6-1437624-9 | PKG90B1/4  | .862(21.9)                 | .811(20.6) | .710(18.0) | .080(2.03) | .450(11.4) | .550(13.97) |
| 5-1437624-7 | PKG100B1/4 | 1.055(26.80)               | 1.01(25.5) | .920(23.4) | .080(2.03) | .430(10.9) | .555(14.1)  |
| 5-1437624-8 | PKG125B1/4 | 1.248(31.70)               | 1.20(30.4) | .690(17.5) | .080(2.03) | .430(10.9) | .565(14.4)  |

**PKGP SERIES**



PKGP70B1/4

| Tyco        |             | Ribbed with Bar Pointers and Indicator Line |            |            |            |            |            |
|-------------|-------------|---|------------|------------|------------|------------|------------|
| Electronics | Alcoswitch  | A   | B          | C          | D          | E          | F          |
| 7-1437624-2 | PKGP70B1/4  | .740(18.8)                                  | .700(17.8) | .590(15.0) | .990(25.2) | .080(2.03) | .460(11.7) |
| 7-1437624-3 | PKGP90B1/4  | .860(21.8)                                  | .810(20.6) | .700(17.8) | 1.28(32.5) | .080(2.03) | .460(11.7) |
| 7-1437624-1 | PKGP100B1/4 | 1.05(26.2)                                  | 1.00(25.4) | .900(22.9) | 1.62(41.2) | .080(2.03) | .480(12.2) |

**PKJ SERIES**



PKJ50B1/8

| Tyco        |            | Straight Knurl with Bar Pointers and Indicator Line |            |            |            |            |           |
|-------------|------------|---|------------|------------|------------|------------|-----------|
| Electronics | Alcoswitch | A   | B          | C          | D          | E          | F         |
| 7-1437624-5 | PKJ50B1/8  | .500(12.7)  | .512(13.0) | .420(10.7) | .577(14.7) | .429(10.9) | .113(2.9) |
| 7-1437624-4 | *PKJ50B1/4 | .500(12.7)  | .512(13.0) | .420(10.7) | .577(14.7) | .429(10.9) | .113(2.9) |
| 7-1437624-6 | PKJ60B1/4  | .630(16.0)  | .530(13.5) | .468(11.9) | .758(19.3) | .440(11.2) | .110(2.8) |
| 7-1437624-7 | PKJ70B1/4  | .760(19.3)  | .555(14.1) | .545(13.8) | .915(23.2) | .450(11.4) | .118(3.0) |

\*Note: Knob uses #4-40 set screw



PKJ70B1/4

**Knobs, Molded Phenolic**

**PKJT SERIES**



PKJT50B1/4



PKJT70B1/4



| Straight Knurl with Bar Pointer & Indicator Line and Aluminum Spin Cap |             |            |            |            |            |            |            |
|--|-------------|------------|------------|------------|------------|------------|------------|
| Tyco   |             |            |            |            |            |            |            |
| Electronics  | Alcoswitch  | A          | B          | C          | D          | E          | F          |
| 7-1437624-9  | PKJT50B1/8  | .515(13.1) | .585(14.9) | .350(8.89) | .595(15.1) | .414(10.5) | .130(3.30) |
| 7-1437624-8  | *PKJT50B1/4 | .515(13.1) | .585(14.9) | .350(8.89) | .595(15.1) | .414(10.5) | .130(3.30) |
| 8-1437624-0  | PKJT60B1/4  | .640(16.3) | .605(15.4) | .470(11.9) | .760(19.3) | .445(11.3) | .118(3.00) |
| 8-1437624-1  | PKJT70B1/4  | .760(19.3) | .625(15.9) | .550(14.0) | .915(23.2) | .445(11.3) | .118(3.00) |

\*Knob uses #4-40 set screw.

**PKNT SERIES**



PKNT60B1/4



| Black Spin Cap with "Diamond Cut" Less Indicator |            |            |            |            |            |            |            |
|--|------------|------------|------------|------------|------------|------------|------------|
| Tyco   |            |            |            |            |            |            |            |
| Electronics                                      | Alcoswitch | A          | B          | C          | D          | E          | F          |
| 8-1437624-6                                      | PKNT60B1/8 | .591(15.0) | .579(14.7) | .394(10.0) | .079(2.01) | .394(10.0) | .472(11.9) |
| 8-1437624-5                                      | PKNT60B1/4 | .591(15.0) | .579(14.7) | .394(10.0) | .079(2.01) | .394(10.0) | .472(11.9) |
| 8-1437624-7                                      | PKNT70B1/4 | .787(19.9) | .764(19.4) | .571(14.5) | .098(2.49) | .492(12.5) | .591(14.7) |
| 8-1437624-8                                      | PKNT90B1/4 | .984(25.0) | .957(24.3) | .748(19.0) | .098(2.49) | .591(15.0) | .689(17.5) |

**PKN SERIES**



PKN60B1/8



| Line Indicator on Natural Aluminum Spin Cap |            |            |            |            |            |            |            |
|---|------------|------------|------------|------------|------------|------------|------------|
| Tyco  |            |            |            |            |            |            |            |
| Electronics                                 | Alcoswitch | A          | B          | C          | D          | E          | F          |
| 8-1437624-2                                 | PKN60B1/8  | .591(15.0) | .579(14.7) | .394(10.0) | .079(2.01) | .394(10.0) | .453(11.5) |
|   | PKN60B1/4  | .591(15.0) | .579(14.7) | .394(10.0) | .079(2.01) | .394(10.0) | .453(11.5) |
| 8-1437624-3                                 | PKN70B1/4  | .787(20.0) | .764(19.4) | .571(14.5) | .098(2.49) | .492(12.5) | .591(15.0) |
| 8-1437624-4                                 | PKN90B1/4  | .984(25.0) | .957(24.3) | .748(19.0) | .098(2.49) | .591(15.0) | .689(17.5) |

K

P Series

**Knobs, Molded Phenolic**

PKS SERIES



PKS1104B1/4

|                  |             | Straight Knurl with Indicator Line on Skirt |            |            |            |             |            |
|------------------|-------------|---|------------|------------|------------|-------------|------------|
| Tyco Electronics | Alcoswitch  | A   | B          | C          | D          | E           | F          |
| 9-1437624-5      | PKS1104B1/4 | 1.12(28.5)                                  | .567(14.4) | .620(15.8) | .090(2.29) | .510(12.95) | .670(17.0) |

PKS SERIES

|                  |               | Straight Knurl Aluminum Skirt Has Line or 0-9 Numbers |            |            |            |            |            |         |
|------------------|---------------|---|------------|------------|------------|------------|------------|---------|
| Tyco Electronics | Alcoswitch    | A   | B          | C          | D          | E          | F          | Marking |
| 9-1437624-4      | PKS1103B101/4 | 1.17(29.6)  | .571(14.5) | .620(15.7) | .098(2.49) | .516(13.1) | .670(17.0) | Numbers |
| 9-1437624-7      | PKS1106B1/4   | 1.17(29.6)  | .571(14.5) | .618(15.7) | .098(2.49) | .516(13.1) | .670(17.0) | Line    |
| 9-1437624-6      | PKS1105B101/4 | 1.17(29.6)  | .571(14.5) | .618(15.7) | .098(2.49) | .516(13.1) | .670(17.0) | Numbers |



PKS1106B1/4



PKS1103B101/4



PKS1105B101/4



PKS SERIES

SPUN ALUMINUM INLAY



0-10



+5-5



0-9



Indicator Line



PKS1132B51/4

|                  |               | Choice of Indicator Line or 0-9, 0-10, -5+5 Numerals |            |            |            |             |            |                |
|------------------|---------------|--|------------|------------|------------|-------------|------------|----------------|
| Tyco Electronics | Alcoswitch    | A  | B          | C          | D          | E           | F          | Marking        |
| 1437625-1        | PKS1132B51/4  | 1.18(30.0)   | .551(14.0) | .551(14.0) | .118(30.0) | .615(15.62) | .748(19.0) | +5-0-5         |
| 1437625-2        | PKS1132B91/4  | 1.18(30.0)   | .551(14.0) | .551(14.0) | .118(30.0) | .615(15.62) | .748(19.0) | 0-9            |
| 9-1437624-9      | PKS1132B101/4 | 1.18(30.0)   | .551(14.0) | .551(14.0) | .118(30.0) | .615(15.62) | .748(19.0) | 0-10           |
| 9-1437624-8      | *PKS1132B1/4  | 1.18(30.0)   | .551(14.0) | .551(14.0) | .118(30.0) | .615(15.62) | .748(19.0) | Indicator Line |

\*1 Set screw 180° from indicator line.



PKS1132B91/4

**Knobs, Molded Phenolic**

**PKS SERIES**



PKS90B1/4



PKS90B101/4



| Tyco Straight Knurl with Aluminum Skirt Choice of Arrow or 1-10 Numbers |             |            |            |            |            |            |            |         |  |
|---|-------------|------------|------------|------------|------------|------------|------------|---------|--|
| Electronics   | Alcoswitch  | A          | B          | C          | D          | E          | F          | Marking |  |
| 1437625-5   | PKS90B1/4   | 1.42(36.1) | .917(23.3) | .780(19.8) | .065(1.65) | .490(12.5) | .596(15.1) | Arrow   |  |
| 1437625-6   | PKS90B101/4 | 1.42(36.1) | .917(23.3) | .780(19.8) | .065(1.65) | .490(12.5) | .596(15.1) | Numbers |  |

**PKX SERIES**



PKX50B1/8



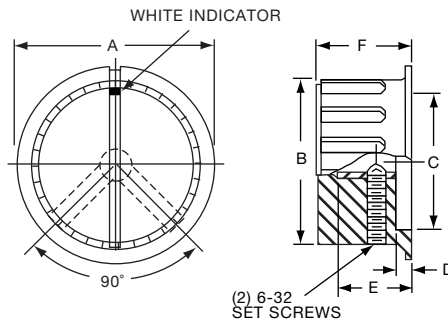
(1) 6-32 SET SCREW EXCEPT PKX-50B, (1) 4-40

| Tyco Ribbed Body, Matte Finish with White Square Indicator on Top |            |            |            |            |            |             |            |
|---|------------|------------|------------|------------|------------|-------------|------------|
| Electronics   | Alcoswitch | A          | B          | C          | D          | E           | F          |
| 1-1437625-5   | PKX50B1/8  | .590(15.0) | .472(12.0) | .374(9.49) | .059(1.50) | .463(11.76) | .551(14.0) |
| 1-1437625-4   | PKX50B1/4  | .590(15.0) | .472(12.0) | .374(9.49) | .059(1.50) | .463(11.76) | .551(14.0) |
| 1-1437625-7   | PKX60B1/8  | .787(20.0) | .625(15.9) | .472(12.0) | .078(1.98) | .510(13.0)  | .598(15.2) |
| 1-1437625-6   | PKX60B1/4  | .787(20.0) | .625(15.9) | .472(12.0) | .078(1.98) | .510(13.0)  | .598(15.2) |

**PKX SERIES**



PKX110B1/4



(2) 6-32 SET SCREWS

| Tyco Ribbed Body, Matte Finish with White Square Indicator on Top |            |            |              |             |            |             |             |
|---|------------|------------|--------------|-------------|------------|-------------|-------------|
| Electronics   | Alcoswitch | A          | B            | C           | D          | E           | F           |
| 1-1437625-1   | PKX100B1/4 | 1.17(29.7) | .970(24.6)   | .780(19.81) | .114(2.90) | .570(14.48) | .674(17.12) |
| 1-1437625-2   | PKX110B1/4 | 1.37(34.8) | 1.120(28.45) | .940(23.88) | .100(2.54) | .527(13.38) | .705(17.91) |
| 1-1437625-3   | PKX130B1/4 | 1.57(40.0) | 1.308(33.22) | 1.09(27.6)  | .118(3.00) | .623(15.82) | .750(19.05) |

K

P Series

**Knob Accessories**

ACCESSORIES



KR1

| Tyco        |                   | Shaft Hole Size Adaptors |            |            |            |            |            |
|-------------|-------------------|--------------------------|------------|------------|------------|------------|------------|
| Electronics | Alcoswitch        | A                        | B          | C          | D          | E          | F          |
| 9-1437627-6 | KR1 (1/4"TO1/8")  | .374(9.50)               | .250(6.35) | .128(3.25) | .122(3.10) | .217(5.51) | .122(3.10) |
| 9-1437627-7 | KR2 (1/4"TO3/16") | .375(9.53)               | .250(6.35) | .190(4.83) | .122(3.10) | .216(5.49) | .123(3.12) |
| 9-1437627-8 | KR3 (1/4"TO4MM)   | .375(9.53)               | .248(6.30) | .161(4.09) | .122(3.10) | .216(5.49) | .123(3.12) |

**Engineering Notes**

A large grid area for writing engineering notes, consisting of a uniform grid of small squares.

**K**

Engineering Notes

K22

Catalog 1308390  
Issued 9-04

[www.tycoelectronics.com](http://www.tycoelectronics.com)

Dimensions are in inches and millimeters unless otherwise specified. Values in parentheses or brackets are metric equivalents.

Dimensions are shown for reference purposes only. Specifications subject to change.

USA: 1-800-522-6752  
Canada: 1-905-470-4425  
Mexico: 01-800-733-8926  
C. America: 52-55-5-729-0425

South America: 55-11-3611-1514  
Hong Kong: 852-2735-1628  
Japan: 81-44-844-8013  
UK: 44-141-810-8967



## Стандарт Электрон Связь

Мы молодая и активно развивающаяся компания в области поставок электронных компонентов. Мы поставляем электронные компоненты отечественного и импортного производства напрямую от производителей и с крупнейших складов мира.

Благодаря сотрудничеству с мировыми поставщиками мы осуществляем комплексные и плановые поставки широчайшего спектра электронных компонентов.

Собственная эффективная логистика и склад в обеспечивает надежную поставку продукции в точно указанные сроки по всей России.

Мы осуществляем техническую поддержку нашим клиентам и предпродажную проверку качества продукции. На все поставляемые продукты мы предоставляем гарантию .

Осуществляем поставки продукции под контролем ВП МО РФ на предприятия военно-промышленного комплекса России , а также работаем в рамках 275 ФЗ с открытием отдельных счетов в уполномоченном банке. Система менеджмента качества компании соответствует требованиям ГОСТ ISO 9001.

Минимальные сроки поставки, гибкие цены, неограниченный ассортимент и индивидуальный подход к клиентам являются основой для выстраивания долгосрочного и эффективного сотрудничества с предприятиями радиоэлектронной промышленности, предприятиями ВПК и научно-исследовательскими институтами России.

С нами вы становитесь еще успешнее!

### Наши контакты:

**Телефон:** +7 812 627 14 35

**Электронная почта:** [sales@st-electron.ru](mailto:sales@st-electron.ru)

**Адрес:** 198099, Санкт-Петербург,  
Промышленная ул, дом № 19, литера Н,  
помещение 100-Н Офис 331