

UTS SERIES



SOURIAU

Waterproof Plastic Connectors
IP68 and IP69K



Contents

Overview

| | |
|---|----|
| Typical Applications | 06 |
| Features & Benefits | 07 |
| Range Overview | 08 |
| Layouts | 10 |
| General Technical Characteristics | 12 |

Connector

| | |
|----------------------------------|-----|
| Overmoulded Cable Assembly | 16 |
| 2 contacts | 20 |
| 2 + ground contacts | 28 |
| 3 contacts | 36 |
| 3 + ground contacts | 52 |
| 4 contacts | 60 |
| 5 contacts | 72 |
| 6 contacts | 80 |
| 6 + ground contacts | 92 |
| 7 contacts | 96 |
| 8 contacts | 100 |
| 10 contacts | 112 |
| 12 contacts | 116 |
| 14 contacts | 128 |
| 15 contacts | 132 |
| 18 contacts | 136 |
| 19 contacts | 140 |
| 23 contacts | 144 |
| 32 contacts | 148 |
| LC (Fiber Optic) | 152 |
| MPO (Fiber Optic) | 156 |

Contacts

| | |
|--------------------------------------|-----|
| Description | 162 |
| Contact Plating Selector Guide | 163 |
| Contact Selector Guide | 164 |
| Packaging | 164 |
| Crimp Contacts | 165 |
| #16 Coaxial Contacts | 167 |
| PCB Contacts | 168 |
| Fiber Optic Contacts | 170 |

Technical Information

| | |
|---|-----|
| Tooling | 174 |
| Crimping Instructions | 176 |
| Handle & Interchangeable Heads | 178 |
| Extraction Tools | 179 |
| Overmoulded Cable Assembly Dimensions | 179 |
| Assembly Instructions | 180 |
| Mated Connector Lengths | 184 |
| Mating Procedure | 185 |
| Rated Current & Working Voltage | 186 |
| UV Resistance | 187 |
| UL94 + UL1977 | 188 |
| IEC 61984 & IP Codes Explained | 191 |
| IEC 61140 Explained | 193 |
| What is NEMA Rating ? | 194 |
| Ethernet for the Layman | 195 |

Appendices

| | |
|--|-----|
| #16 Coaxial Contacts/Cabling Notices | 200 |
| Glossary of Terms | 201 |
| Discrimination/Keying Methods | 208 |
| Part Number Index | 209 |

UTS SERIES

Overview

| | |
|---|----|
| ■ Typical Applications | 06 |
| ■ Features & Benefits | 07 |
| ■ Range Overview | 08 |
| ■ Layouts | 10 |
| ■ General Technical Characteristics | 12 |

Typical Applications



Energy - Power



Off-Road



Building Automation & Control



Instrumentation - Measurement



Rail



Stage - Light

Features & Benefits

- WATER
PROOF**

IP68/69K Dynamic Mated & Unmated

Ideal for outdoor and indoor dynamic applications requiring continuous underwater immersion, routine pressure washing and dust protection.

- UV
RESISTANT**

No Degradation Over Time

No mechanical deterioration or important variation in colour after 5 years of exposure in natural environment (equivalent exposure to sun and moisture as per ISO4892) and F1 rated per UL 746C.

- UL/IEC
COMPLIANT**

Qualified & Certified

In accordance with:
 - UL 1977 - Certificate ECBT2, File number: E169916
 - CSA C22.2 n°182.3 - Certificat ECBT8, File number: E169916.

- QUICK
MATING**

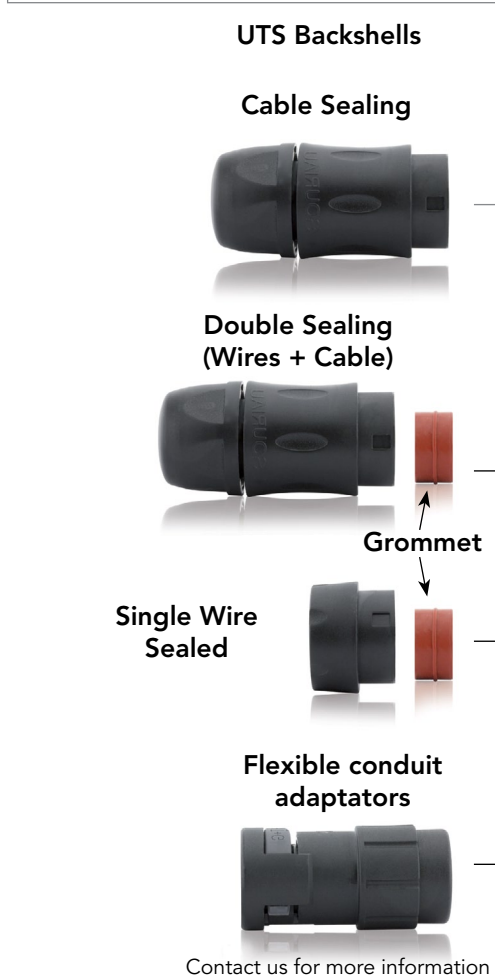
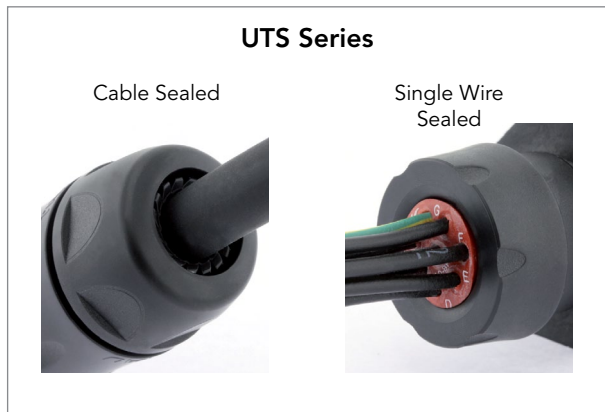
1/3 Bayonet Coupling

With only 1/3 twist of the bayonet coupling system, connectors are mated with audible "click" and tactile feel to confirm proper mating. This mating feature eliminates connection uncertainty and reduces time and labor during installation.

- COST
SAVINGS**

Mixed Power & Signal Contacts

Power supply and signal transmission can be combined in a unique interconnect solution to reduce system complexity and minimize component installation cost.



Contacts Supplied Separately



Choice of Crimp Contacts

- Machined
- Stamped and Formed
- Coaxial

PCB Contacts

Fiber Optic

**Contacts Loaded
Screw Termination**

**Contacts Loaded
Handsolder**

Plug



Overmoulded Cable Assembly



Overview

UTS Standard Receptacle



Contacts Supplied Separately

Choice of Crimp Contacts

- Machined
- Stamped and Formed
- Coaxial

PCB Contacts

Fiber Optic

Contacts Supplied Separately

Choice of Crimp Contacts

- Machined
- Stamped and Formed
- Coaxial

PCB Contacts

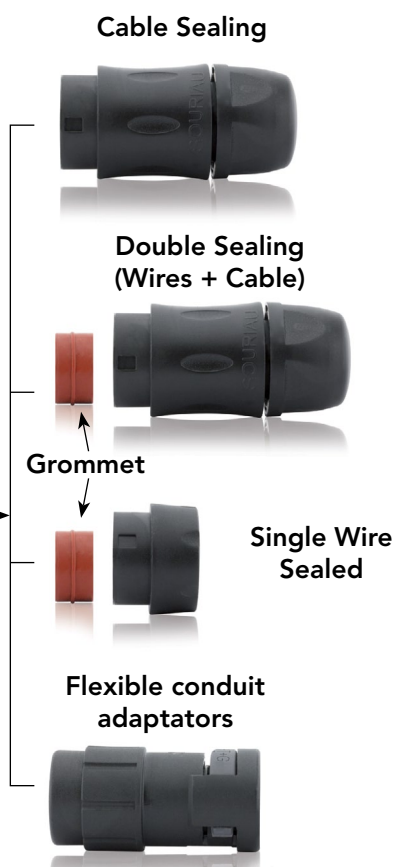
Fiber Optic

Contacts Loaded

Screw Termination

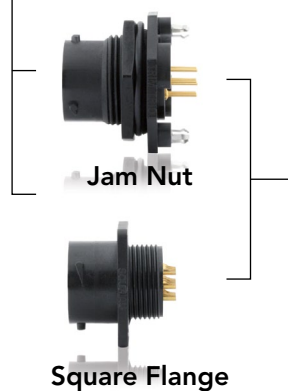
PCB

UTS Backshells



Contact us for more information

UTS Sealed Unmated Receptacle



Contacts Loaded

Handsolder

PCB

UTS PCB Contacts

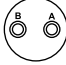
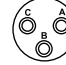


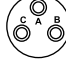

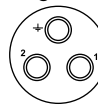
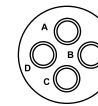
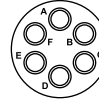
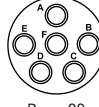
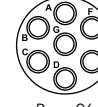
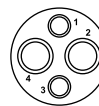
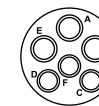
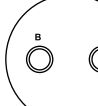
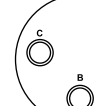
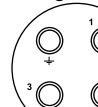

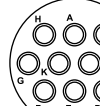
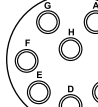
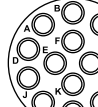
Stand-offs to allow cleaning after soldering

Metal hold down clips - to lock the connector easily on the PCB and to release stress on solder joints - suitable for soldering in a metallic hole

Pre-assembled PCB contacts - machined or stamped versions available - different solder tail lengths possible - different plating options

Low profile housing to limit space between panel and PCB

Layouts (Electrical parameter according to IEC)

| Shell Size | Contact #16 (Ø 1.6mm) | Contact #20 (Ø 1.0mm) | Contact #8 (Ø 3.6mm) | Hybrid & others |
|------------|--|--|----------------------|---|
| 8 | | <p>8E2/8D2⁽¹⁾ 7A 32V 2 contacts  Page 20</p> <p>8E3/8D3⁽¹⁾ 7A 32V 3 contacts  Page 36</p> <p>8E3A/8D3A⁽¹⁾ 7A 50V 3 contacts  Page 40</p> <p>8E98/8D98⁽¹⁾ 7A 50V 3 contacts  Page 40</p> <p>8E33/8D33⁽¹⁾ 7A 50V 3 contacts  Page 44</p> <p>8E4/8D4^{(1)*} 7A 32V 4 contacts  Page 60</p> | | |
| 10 | <p>103 16A 300V 2+ground  Page 28</p> <p>104⁽³⁾ 13A 150V 4 contacts  Page 68</p> | <p>106* 10E6⁽¹⁾/10D6 7A 32V 6 contacts  Page 84</p> <p>10E98/10D98 7A 50V 6 contacts  Page 88</p> <p>10E7⁽¹⁾/10D7 7A 50V 7 contacts  Page 96</p> | | <p>102W2 25A 150V 4 contacts 2xØ2.4 (#12) 2xØ1.0 (#20)  Page 64</p> <p>103W3 5A 32V 6 contacts 3xØ1.6 (#16) 3xØ1.0 (#20)  Page 80</p> |
| 12 | <p>12E2/12D2 16A 150V 2 contacts  Page 24</p> <p>12E3/12D3 16A 150V 3 contacts  Page 48</p> <p>124 12E4/12D4 16A 300V 3+ground  Page 52</p> <p>128^{(1) (3)} 10A 80V 8 contacts  Page 100</p> | <p>1210* 12E10/12D10 6A 50V 10 contacts  Page 112</p> <p>12E8/12D8 6A 32V 8 contacts  Page 104</p> <p>12E14/12D14 5A 32V 14 contacts  Page 128</p> | | |

1: M12, M16 and M20 threaded receptacle available

2: NPT available

3: Discrete wire grommet option

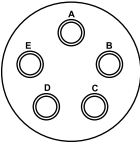
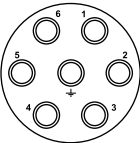
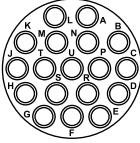
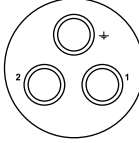
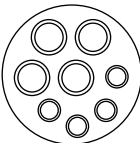
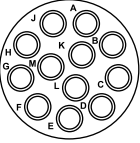
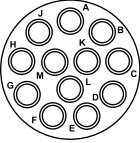
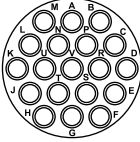
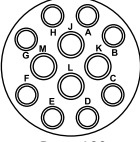
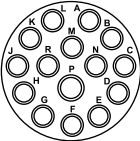
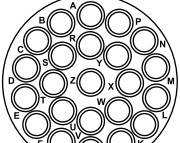
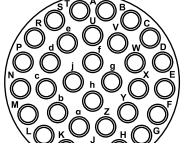
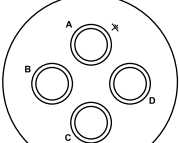
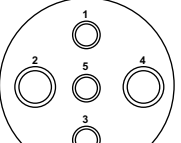
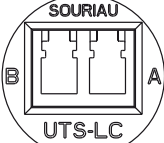
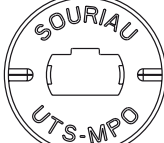
* Ethernet compatible: see pages 195 & 196

Contacts #20:
from AWG 26 to 18
0.13 to 0.93 mm²

Contacts #16:
from AWG 30 to 14
0.05 to 2.5 mm²

Contacts #12:
from AWG 22 to 12
0.13 to 4 mm²

Contacts #8:
from AWG 16 to 8
1.5 to 10 mm²

| Shell Size | Contact #16 (Ø 1.6mm) | Contact #20 (Ø 1.0mm) | Contact #8 (Ø 3.6mm) | Mixed Power | |
|------------|--|--|--|--|--|
| 14 | <p>14E5/14D5 16A 150V 5 contacts</p>  <p>Page 72</p> | <p>14E7/14D7 16A 300V 6+ground</p>  <p>Page 92</p> | <p>14E18/14D18 5A 50V 18 contacts</p>  <p>Page 136</p> | <p>142G1⁽²⁾ 40A 300V 2+ground</p>  <p>Page 32</p> | <p>148 17A 230V 8 contacts 4xØ1.6 (#16)+4xØ2.4 (#12)</p>  <p>Page 108</p> |
| | <p>1412⁽³⁾ 10A 63V 12 contacts</p>  <p>Page 116</p> | <p>1492⁽³⁾ 10A 63V 12 contacts</p>  <p>Page 124</p> | <p>1419 14E19/14D19 5A 32V 19 contacts</p>  <p>Page 140</p> | | <p>14E12/14D12 4A 50V 12 contacts 4xØ1.6 (#16)+8xØ1.0 (#20)</p>  <p>Page 120</p> |
| | | | | | <p>14E15/14D15 4A 50V 15 contacts 1xØ1.6 (#16)+14xØ1.0 (#20)</p>  <p>Page 132</p> |
| | 18 | <p>1823 9A 63V 23 contacts</p>  <p>Page 144</p> | <p>18E32/18D32 4A 32V 32 contacts</p>  <p>Page 148</p> | <p>183G1⁽²⁾ 32A 300V 3+ground</p>  <p>Page 56</p> | <p>18X2M3⁽²⁾ 32A 300V 5 contacts 3xØ1.6 (#16)+2xØ3.6 (#8)</p>  <p>Page 76</p> |
| | | | | | <p>LC SOURIAU UTS-LC</p>  <p>Page 152</p> |
| | | | | <p>MPO SOURIAU UTS-MPO</p>  <p>Page 156</p> | |

XXXXXX blue highlighted items: UTS Sealed in Unmated Condition

General Technical Characteristics



Materials

- **Body connector + Backshell:** Thermoplastic
- **Insert:**
 - UTS Standard, UTS Single Wire Sealed, UTS Screw Termination Contacts: Thermoplastic
 - UTS Sealed Unmated Handsolder & UTS Sealed Unmated with PC Tails Contacts: Elastomer
- **Nut:** Metal
- **Contacts:** See page 161
- **Halogen free**
- **RoHS compliant & conforms to the Chinese standard SJ/T1166-2006 (Chinese RoHS equivalent)**



Environmental

- **Operating temperature:** from -40°C to +105°C
40/100/21 per NFF 61-030
- **Flammability rating:**
 - UL94 V-0 (all UTS except the Sealed Unmated version) see page 180
 - UL94 HB (UTS Sealed Unmated version only) see page 180
 - I2F3 according to NFF 16101 & NFF 16102
- **Salt spray:** per EIA-026A ≥500 hours
- **UV resistant:** No mechanical degradation or important variation of colour after 5 years of exposure in natural environment (equivalence exposure to sun and moisture as per ISO 4892) and F1 rated per UL 746C
- **Sealing:**
 - UTS Standard: IP68/IP69K dynamic (mated)
 - UTS Sealed Unmated version: IP68/IP69K dynamic (unmated)
 - UTS Single Wire Sealed: IP67/69K (up to IP68 with double sealing backshell)
 - UTS Screw Termination Contacts: IP68/IP69K dynamic (mated)

Note: IP68=10 m underwater during 1 week
- **Fluid resistance:**
 - Gas and Oil
 - Mineral oil
 - Acid bath
 - Basic bath

Electrical

- **In accordance with:**
 - UL 1977: Certificat ECBT2
File number: E169916
 - CSA C22.2 n°182.3: Certificat ECBT8
File number: E169916



- Also see pages 10 & 11

Mechanical

- **Durability:** 250 matings & unmatings per MIL-C-26482
- **Vibration resistance (all UTS versions except UTS Screw Termination contacts):** Sinusoidal vibrations per IEC 60512-4 - from 10 to 2000 Hz
- **Thermal shock:** 5 cycles 30 min. from -40°C to 105°C per MIL-STD-1344 method 1003

UTS SERIES

UTS Series

Connector

| | | | | |
|---|------------------------------------|--|--|-----|
| ■ | Overmoulded Cable Assembly | | | 16 |
| ■ | 2 contacts | | | |
| | 8E2/8D2: 7A 32V..... | | | 20 |
| | 12E2/12D2: 16A 150V..... | | | 24 |
| ■ | 2 contacts + ground | | | |
| | 103: 16A 300V..... | | | 28 |
| | 142G1: 40A 300V..... | | | 32 |
| ■ | 3 contacts | | | |
| | 8E3/8D3: 7A 32V..... | | | 36 |
| | 8E3A/8E98 - 8D3A/8D98: 7A 50V..... | | | 40 |
| | 8E33/8D33: 7A 50V..... | | | 44 |
| | 12E3/12D3: 16A 150V..... | | | 48 |
| ■ | 3 contacts + ground | | | |
| | 124 - 12E4/12D4: 16A 300V..... | | | 52 |
| | 183G1: 32A 300V..... | | | 56 |
| ■ | 4 contacts | | | |
| | 8E4/8D4*: 7A 32V..... | | | 60 |
| | 102W2: 25A 150V..... | | | 64 |
| | 104: 13A 150V..... | | | 68 |
| ■ | 5 contacts | | | |
| | 14E5/14D5: 16A 150V..... | | | 72 |
| | 18X2M3: 32A 300V..... | | | 76 |
| ■ | 6 contacts | | | |
| | 103W3: 5A 32V..... | | | 80 |
| | 106* - 10E6/10D6: 7A 32V..... | | | 84 |
| | 10E98/10D98: 7A 50V..... | | | 88 |
| ■ | 6 contacts + ground | | | |
| | 147 - 14E7/14D7: 16A 300V..... | | | 92 |
| ■ | 7 contacts | | | |
| | 10E7/10D7: 7A 50V..... | | | 96 |
| ■ | 8 contacts | | | |
| | 128: 10A 80V..... | | | 100 |
| | 12E8/12D8: 6A 32V..... | | | 104 |
| | 148: 17A 230V..... | | | 108 |
| ■ | 10 contacts | | | |
| | 1210* - 12E10/12D10: 6A 50V..... | | | 112 |
| ■ | 12 contacts | | | |
| | 1412: 10A 63V..... | | | 116 |
| | 14E12/14D12: 4A 50V..... | | | 120 |
| | 1492: 10A 63V..... | | | 124 |
| ■ | 14 contacts | | | |
| | 12E14/12D14: 5A 32V..... | | | 128 |
| ■ | 15 contacts | | | |
| | 14E15/14D15: 4A 50V..... | | | 132 |
| ■ | 18 contacts | | | |
| | 14E18/14D18: 5A 50V..... | | | 136 |
| ■ | 19 contacts | | | |
| | 1419 - 14E19/14D19: 5A 32V..... | | | 140 |
| ■ | 23 contacts | | | |
| | 1823: 9A 63V..... | | | 144 |
| ■ | 32 contacts | | | |
| | 1832 - 18E32: 4A 32V..... | | | 148 |
| ■ | LC | | | 152 |
| ■ | MPO | | | 156 |

Electrical parameters according to IEC

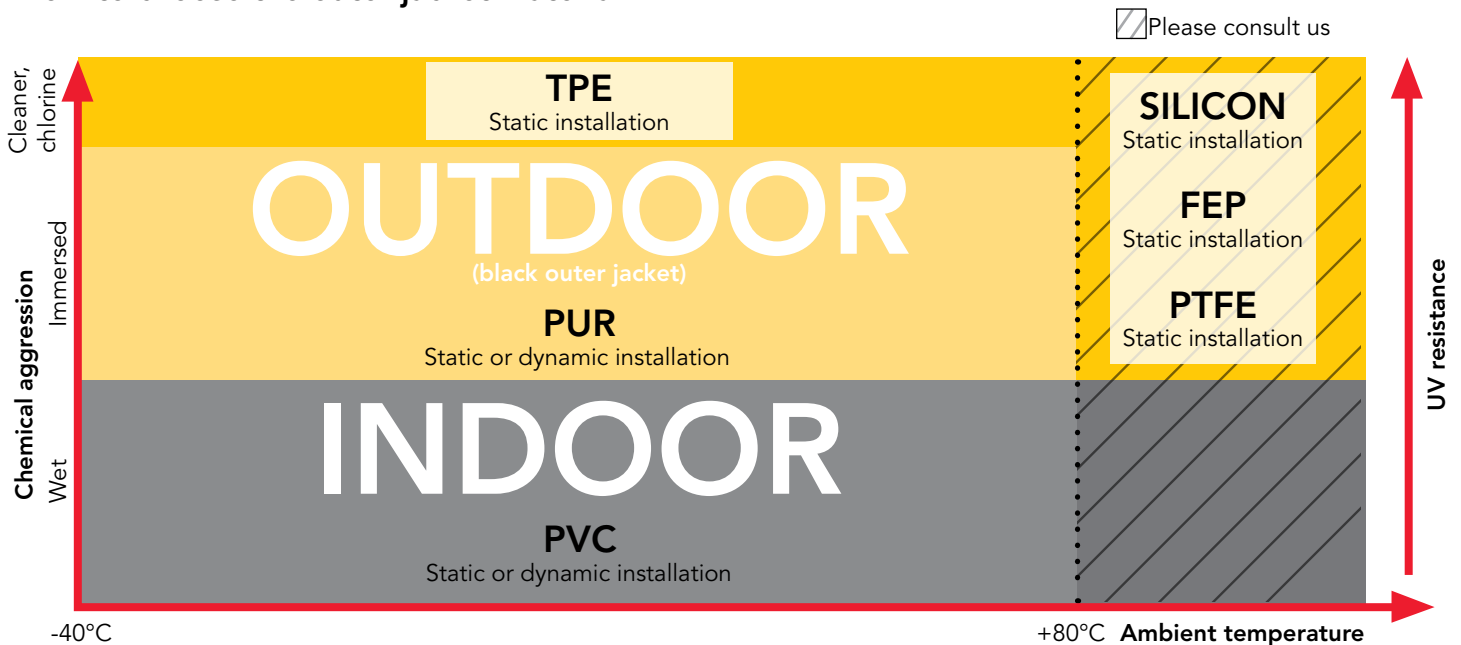
* Ethernet compatible see pages 195 & 196

Overmoulded Cable Assembly

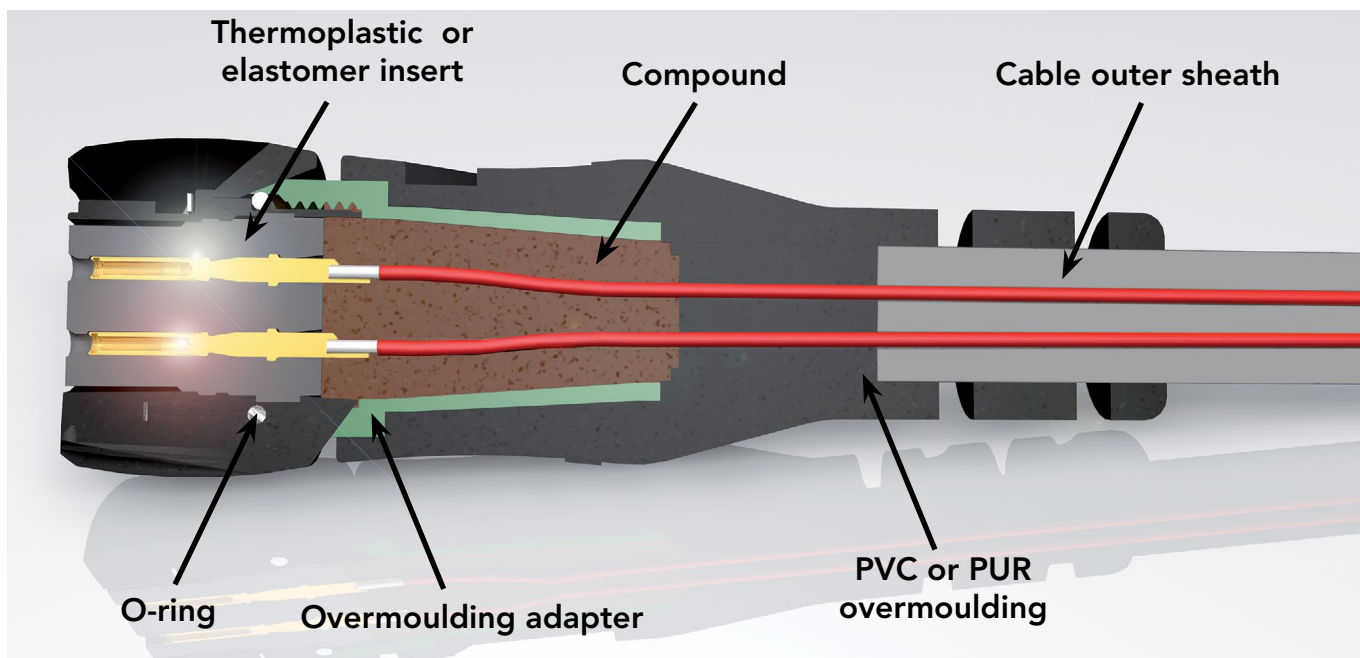
SOURIAU has provided connectors in various applications for more than 90 years and used in the most extreme environments. Conscious about the difficulty to finding a quick and a reliable harness manufacturer, we began in-house cable assembly production. It allows customers to reduce the number of suppliers, and to take advantage of the "best in class" quality of the SOURIAU group. Overmoulding is a process that further enhances the sealing properties of the UTS range, especially over many years of use. Overmoulding provides the opportunity to change the cable exit from straight to 90 degrees and avoid stress on the cable terminated to the connector. Also, as the wires are encapsulated inside the molding, a barrier is created which prevents any liquid from entering the equipment through the connector if the cable jacket is breached.



How to choose the outer jacket material

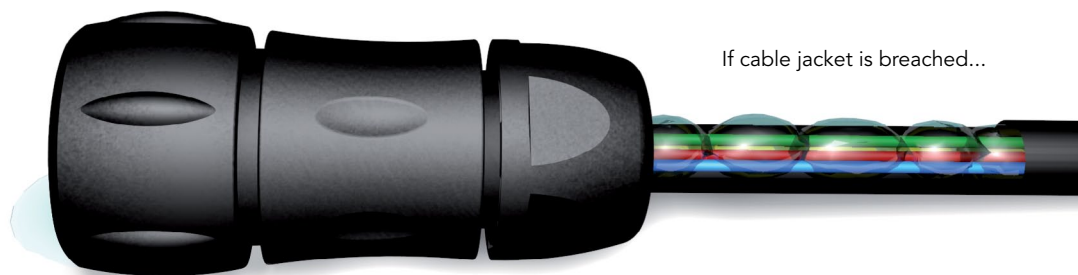


Overmoulding Description



Connector with cable gland backshell

GOOD



If cable jacket is breached...

...water ingress unhampered, leading to damage.

Overmoulded connector

BEST



If cable jacket is breached...

...prevents water ingress via capillary action.

UTS Waterproof Plastic Overmould



HAUTS Standard Offering Description

Cable

- PVC outer sheath (grey color)
- Wire section 1.5 mm² for #16 contact
- Wire section 0.5 mm² for #20 contact
- 300V
- Unshielded
- Flammability rating IEC (UL1581 Sec.1160)
- Operating temperature: -40°C +70°C

Overmoulding Specifications

| PLATING | SALT SPRAY | TEMPERATURE* | WATERPROOF* | MECHANICAL |
|------------|------------|---------------------|----------------------------|-----------------------|
| No plating | 500 H | -40°C up to + 105°C | IP68/IP69K dynamic (mated) | 250 matings/unmatings |

* With appropriate cable and overmoulding

Example of Customized Cable Assemblies



Overmoulding on Curly Cable



Overmoulding with Double Ends



Harness for PCB Connection

To define your customized cable assembly, please consult our technical services.

Cable Information

Range of temperature: Occasional flexing: -5°C up to +70°C
 Fixed installation: -40°C up to +80°C

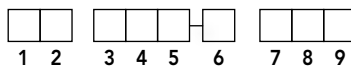
Rated voltage: U0/U: 300/500V

Wire section : Layouts with #16 contact: wire section 1.5 mm²
 Layouts with #20 contact: wire section 0.5 mm²

Harmonized reference: H05 VV - F XX

Standardisation of European Cable - DIN VDE 0281/DIN VDE 0282/DIN VDE 0292

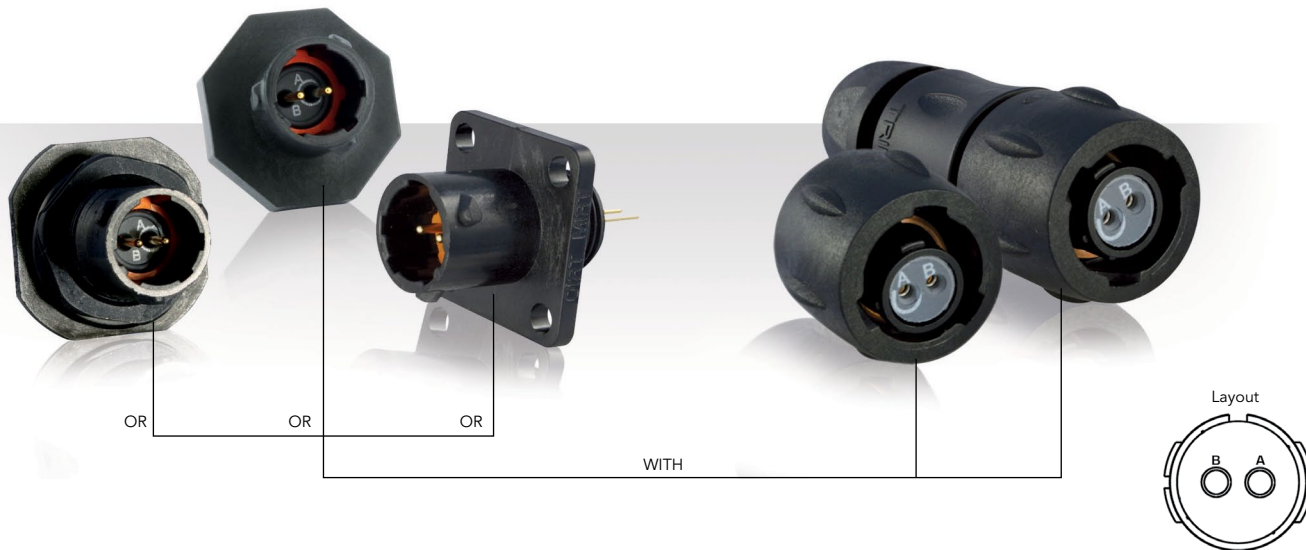
Harmonized wire coding system



| 1. Basic type | 2. Working voltage | 3. Insulating | 4. Sheath-cladding material | 5. Special features | 6. Conductor types | 7. Number of conductors | 8. Protective conductor | 9. Conductor cross-sectional |
|--------------------|--------------------|--------------------|-----------------------------|--------------------------------|--------------------------------------|-------------------------|---------------------------------|-----------------------------------|
| H: Harmonized Type | 03: 300/300V | V: PVC | V: PVC | H: Ribbon cable, separable | U: Single wire | | X: Without protective conductor | Area specified in mm ² |
| A: National Type | 05: 300/500V | R: Rubber | R: Rubber | H2: Ribbon cable non-separable | R: Multi-wire | | G: With protective conductor | |
| | 07: 450/750V | S: Silicone Rubber | N: Chloroprene Rubber | | K: Fine wire (permanently installed) | | | |
| | | | J: Glass-filament braiding | | F: Fine wire (flexible) | | | |
| | | | T: Textile braiding | | H: Super fine wire | | | |
| | | | | | Y: Tinsel strand | | | |

Example: Harmonized type, 300/500V, PVC insulating, PVC sheath-cladding, Fine wire, 3x1.5 cross-sectional: H05VV F3x1.5

8E2/8D2 (Shell size 8, 2x#20)



Connector Part Numbers

| Contact type | Connector type | Backshell | Part number | |
|--|--|---------------------|--------------------|--------------------|
| | | | Male insert | Female insert |
| Hand solder electrical contacts loaded see page 23 | Square flange receptacle | Without (Fig.1) | UTS08E2P | UTS08E2S |
| | Plug | Without (Fig.7) | UTS68E2P | UTS68E2S |
| | | Cable gland (Fig.8) | UTS6JC8E2P | UTS6JC8E2S |
| | Jam nut receptacle | Without (Fig.4) | UTS78E2P | UTS78E2S |
| | M12 threaded receptacle | Without (Fig.3) | UTS78E2PM12 | UTS78E2SM12 |
| PCB contacts loaded see page 23 | Square flange receptacle | Without (Fig.2) | UTS08D2P | UTS08D2S |
| | Jam nut receptacle with stand off and with hold down clips | Without (Fig.6) | UTS78D2P32 | UTS78D2S32 |
| | Jam nut receptacle with stand off and without hold down clip | Without (Fig.5) | UTS78D2P | UTS78D2S |
| | M12 threaded receptacle | Without (Fig.3) | UTS78D2PM12 | UTS78D2SM12 |

Possibilities of discrimination/keying methods see page 208

Sealed unmated

Overmoulded Cable Assembly Part Numbers

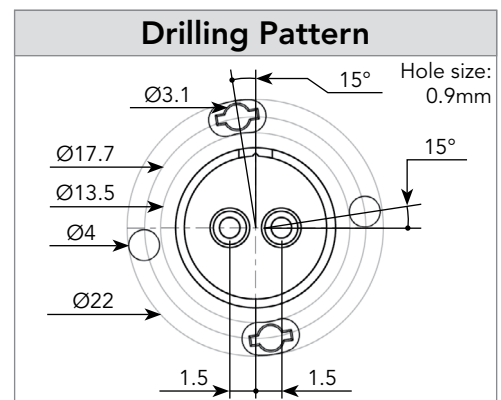
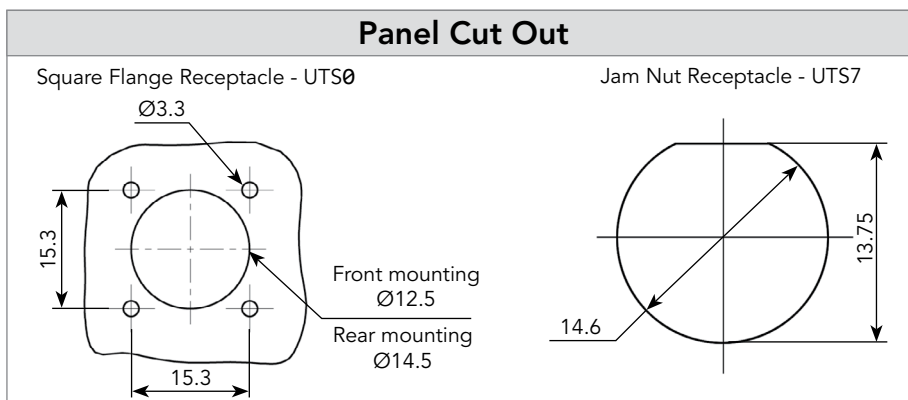
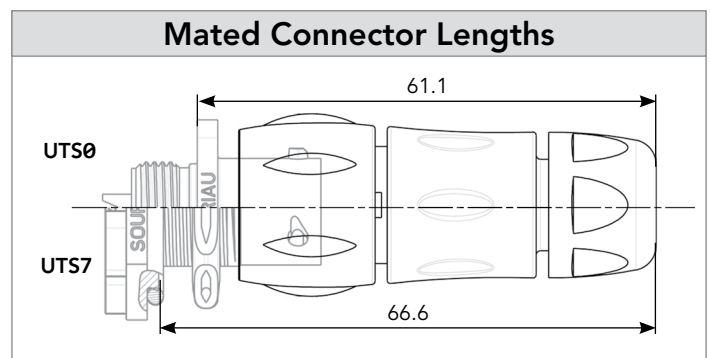
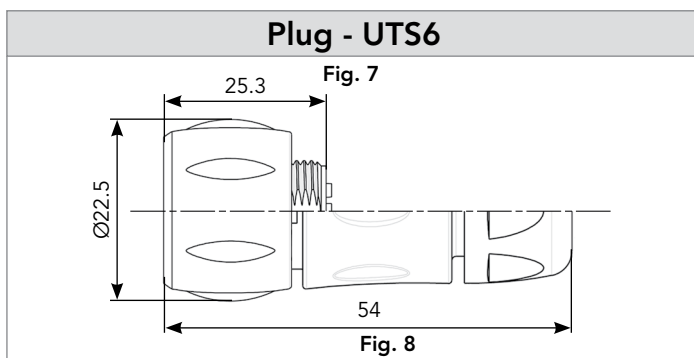
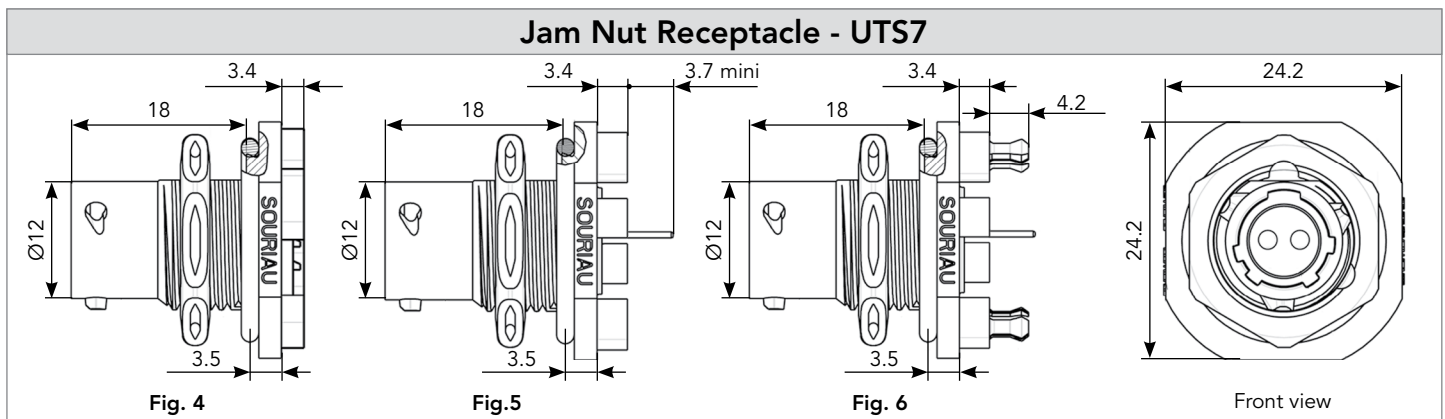
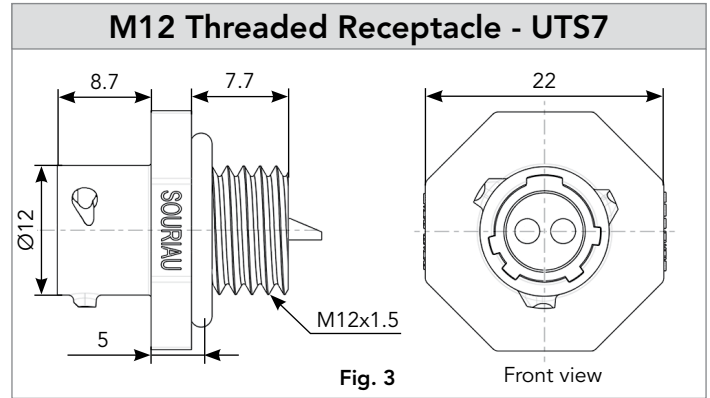
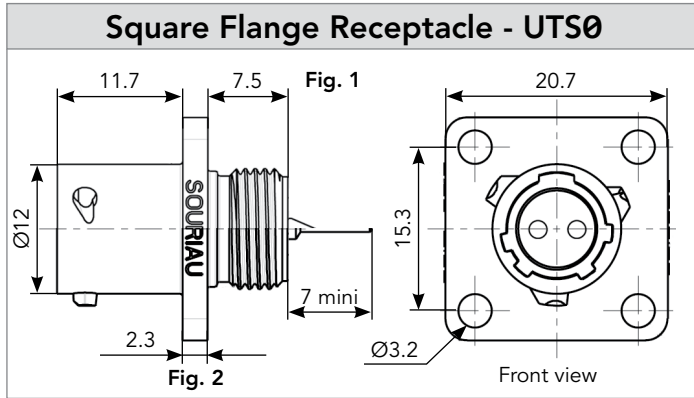
| Overmoulding type | Connector type | Wire size (mm ²) | Harmonized cable part number ⁽¹⁾ | Part number (length: 1m.)* | |
|--------------------|----------------|------------------------------|---|----------------------------|-------------------------|
| | | | | Male plug | Female plug |
| Straight ending | Plug | 0.5 | H05 VV - F 2x0.5 | HAUTS0V8E2PST100 | HAUTS0V8E2SST100 |
| Right angle ending | Plug | 0.5 | H05 VV - F 2x0.5 | HAUTS0V8E2PRA100 | HAUTS0V8E2SRA100 |

(1) Other cable available on demand

* Other lengths available on demand

8E2/8D2 (Shell size 8, 2x#20)

Dimensions



Note: Overmoulded cable assembly dimensions available page 179.

Note: all dimensions are in mm

8E2/8D2 (Shell size 8, 2x#20)


Accessories

Jam Nut Sealing Caps



IP68/69K

| Part number |
|-------------|
| UTS8DCG |



IP68/69K Metal terminal

| Part number |
|-------------|
| UTS8DCGR |


Square Flange Sealing Cap



IP68/69K Metal terminal

| Part number |
|-------------|
| UTS8DCGE |

Plug Protective Cap



IP40


| Part number |
|-------------|
| UTS68C |

Plastic Protective Cap



| Part numbers | |
|----------------|----------|
| Receptacle cap | Plug cap |
| 85005585A | 85005594 |


Gasket




| Part numbers |
|--------------|
| UTFD11B |

Color Coding Rings


G for Green



Y for Yellow



R for Red



| Part numbers | |
|--------------|-----------|
| Receptacles | Plugs |
| UTS78CCRR | UTS68CCRR |
| UTS78CCRY | UTS68CCRY |
| UTS78CCRG | UTS68CCRG |

8E2/8D2 (Shell size 8, 2x#20)

Contacts

| #20 | Contact type | Plating | Cable acceptance (AWG) | Wire stripping length |
|-------------|-------------------------|----------------------------|------------------------|-----------------------|
| Hand solder | Loaded in the connector | Min 0.4μ gold over 0.8μ Ni | 22 to 18 | 5 mm |
| PCB | Machined ⁽¹⁾ | Min 0.4μ gold over 0.8μ Ni | - | - |

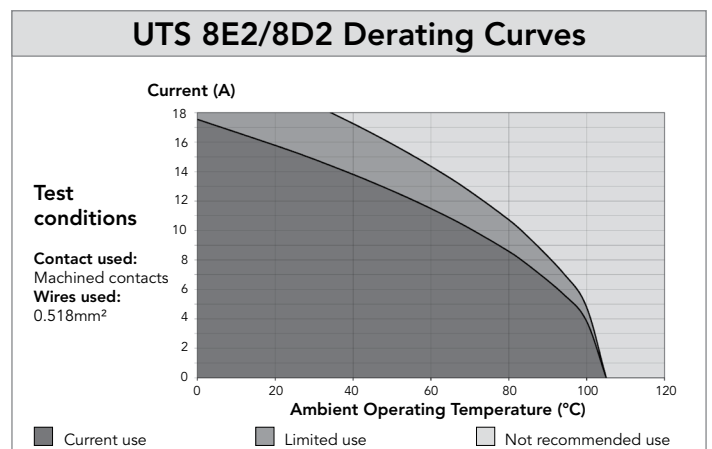
(1): For dimensions see page 169

Electrical Characteristics

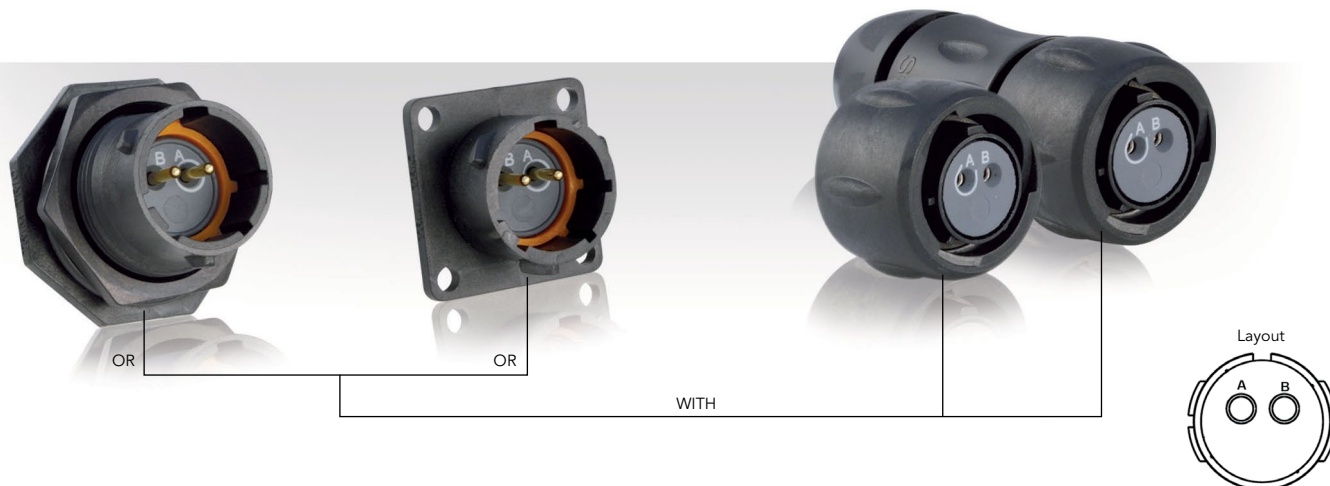
UL
7A 250V UL94 HB

CSA
7A 250V UL94 HB

IEC
7A 32V 1.5kV 3



12E2/12D2 (Shell size 12, 2x#16)



Connector Part Numbers

| Contact type | Connector type | Backshell | Part number | |
|--|--|---------------------|--------------------|--------------------|
| | | | Male insert | Female insert |
| Hand solder electrical contacts loaded see page 27 | Square flange receptacle | Without (Fig.1) | UTS012E2P | UTS012E2S |
| | Plug | Without (Fig.6) | UTS612E2P | UTS612E2S |
| | | Cable gland (Fig.7) | UTS6JC12E2P | UTS6JC12E2S |
| | Jam nut receptacle | Without (Fig.3) | UTS712E2P | UTS712E2S |
| PCB contacts loaded see page 27 | Square flange receptacle | Without (Fig.2) | UTS012D2P | UTS012D2S |
| | Jam nut receptacle with stand off and with hold down clips | Without (Fig.5) | UTS712D2P32 | UTS712D2S32 |
| | Jam nut receptacle with stand off and without hold down clip | Without (Fig.4) | UTS712D2P | UTS712D2S |

Sealed unmatad

Overmoulded Cable Assembly Part Numbers

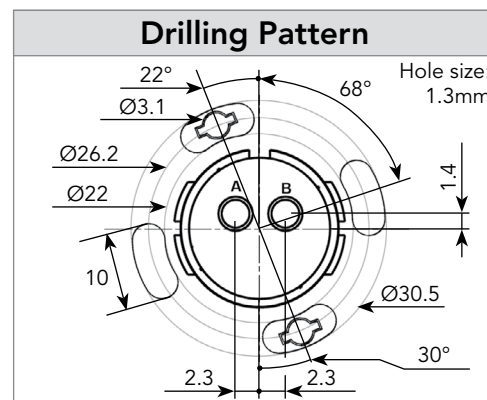
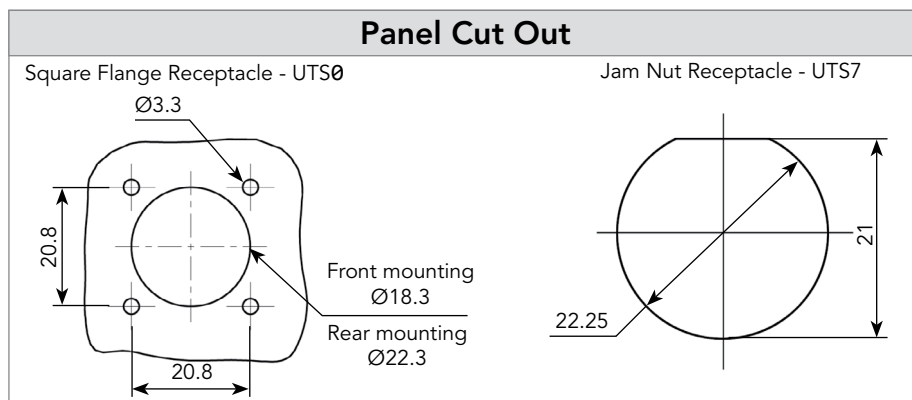
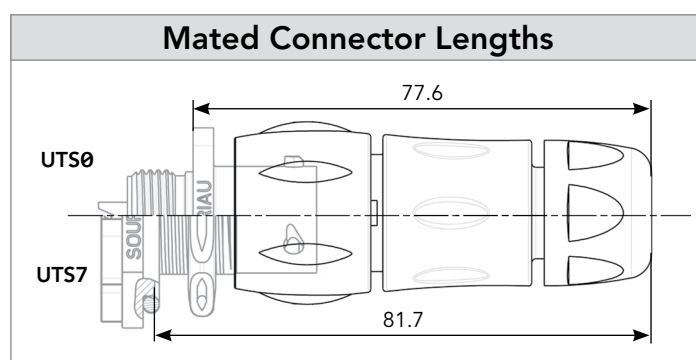
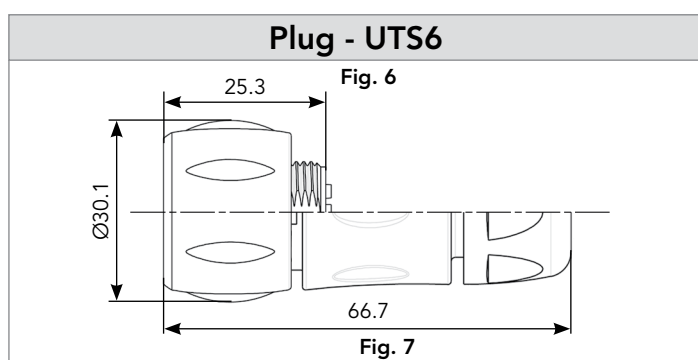
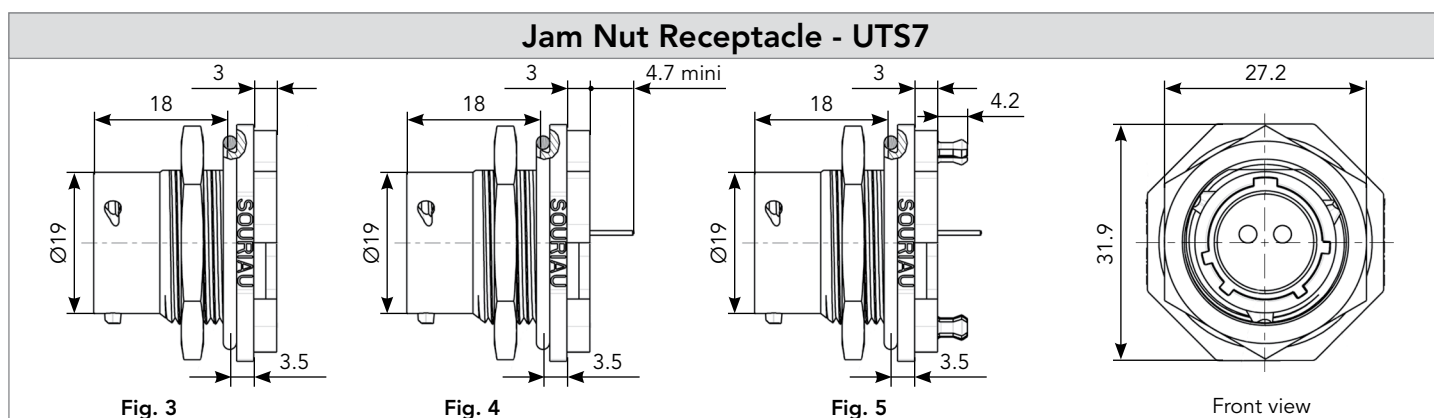
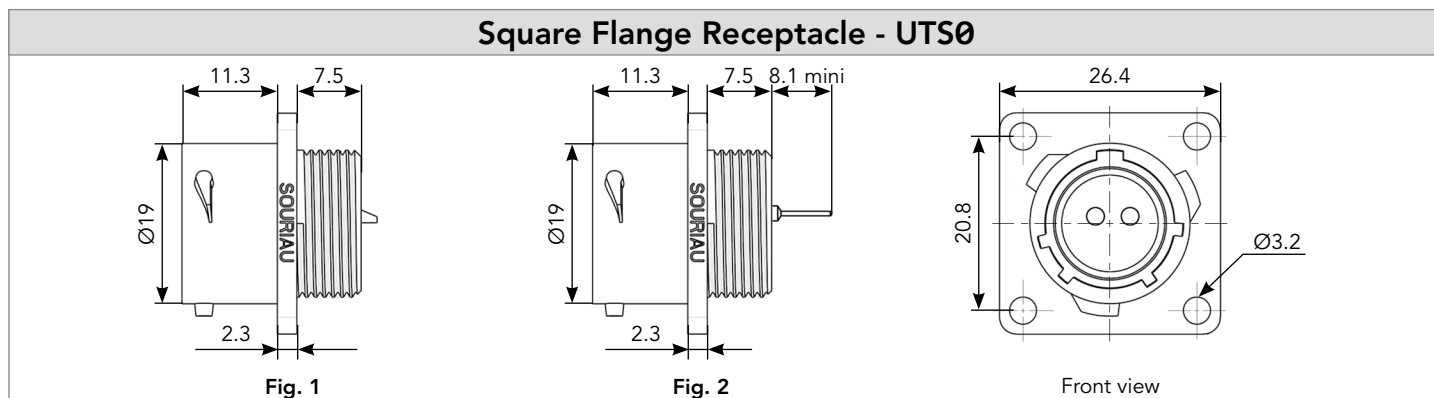
| Overmoulding type | Connector type | Wire size (mm ²) | Harmonized cable part number ⁽¹⁾ | Part number (length: 1m.)* | |
|--------------------|----------------|------------------------------|---|----------------------------|---------------------------|
| | | | | Male plug | Female plug |
| Straight ending | Plug | 1.5 | H05 VV - F 2x1.5 | HAUTS0V12E2PST100 | HAUTS0V12E2SSST100 |
| Right angle ending | Plug | 1.5 | H05 VV - F 2x1.5 | HAUTS0V12E2PRA100 | HAUTS0V12E2SRA100 |

(1) Other cable available on demand

* Other lengths available on demand

12E2/12D2 (Shell size 12, 2x#16)

Dimensions



Note: Overmoulded cable assembly dimensions available page 179.

Note: all dimensions are in mm

12E2/12D2 (Shell size 12, 2x#16)

Accessories

Jam Nut Sealing Caps



IP68/69K

| Part number |
|-------------|
| UTS12DCG |



IP68/69K Metal terminal

| Part number |
|-------------|
| UTS12DCGR |

Square Flange Sealing Cap



IP68/69K Metal terminal

| Part number |
|-------------|
| UTS12DCGE |

Plug Sealing Cap



IP68/69K


| Part number |
|-------------|
| UTS612DCG |

Plastic Protective Cap



| Part numbers | |
|----------------|----------|
| Receptacle cap | Plug cap |
| 85005587A | 85005596 |


Gasket




| Part numbers |
|--------------|
| UTFD13B |

Color Coding Rings


G for Green



Y for Yellow



R for Red



| Part numbers | |
|--------------|------------|
| Receptacles | Plugs |
| UTS712CCRR | UTS612CCRR |
| UTS712CCRY | UTS612CCRY |
| UTS712CCRG | UTS612CCRG |

12E2/12D2 (Shell size 12, 2x#16)

Contacts

| #16 | Contact type | Plating | Cable acceptance (AWG) | Wire stripping length |
|-------------|-------------------------|----------------------------|------------------------|-----------------------|
| Hand solder | Loaded in the connector | Min 0.4μ gold over 0.8μ Ni | 18 to 14 | 5 mm |
| PCB | Machined ⁽¹⁾ | Min 0.4μ gold over 0.8μ Ni | - | - |

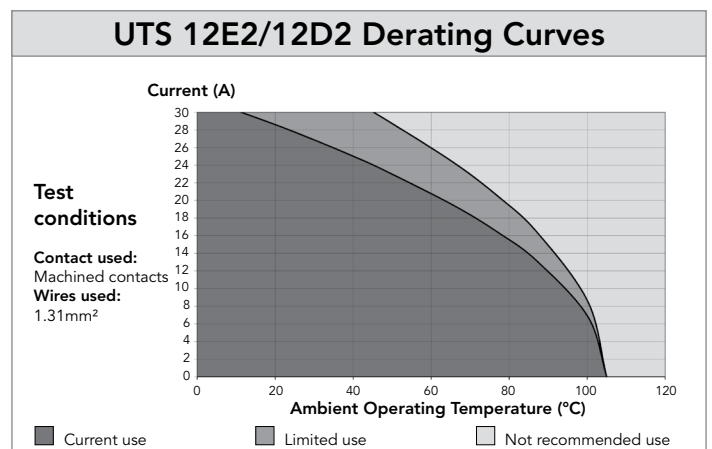
(1): For dimensions see page 169

Electrical Characteristics

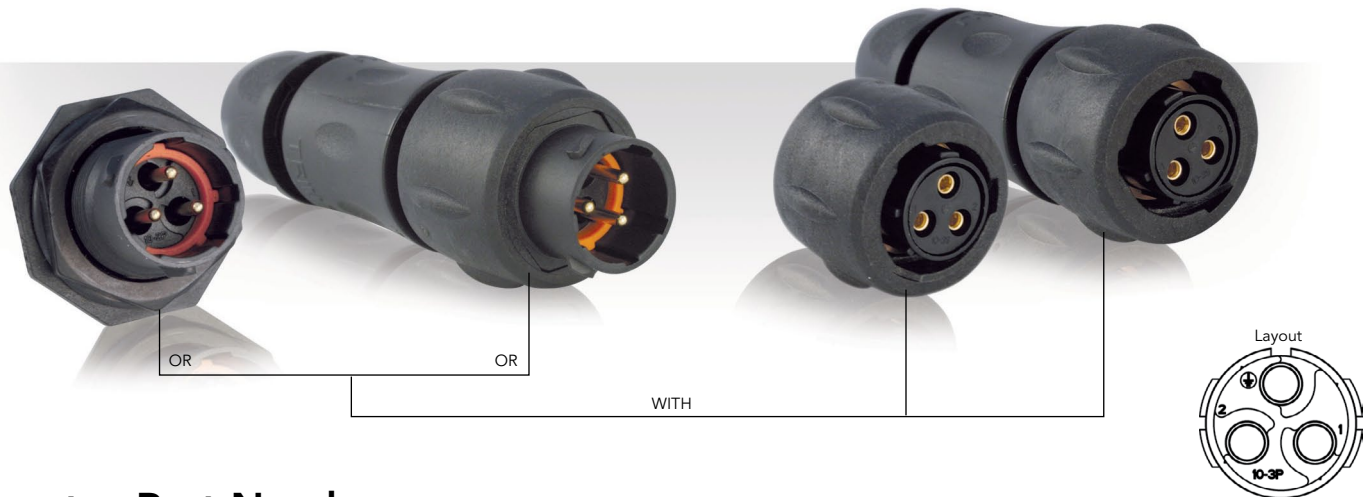
UL
13A 600V UL94 HB

CSA
13A 600V UL94 HB

IEC
16A 150V 2.5kV 3



103 (Shell size 10, 2 + ground, 3x#16)



Connector Part Numbers

| Contact type | Connector type | Backshell | Part number | |
|--|-------------------------|----------------------|-------------------|-------------------|
| | | | Male insert | Female insert |
| Crimp contacts supplied separately see page 31 | Free hanging receptacle | Cable gland (Fig. 1) | UTS1JC103P | UTS1JC103S |
| | Plug | Without (Fig. 2) | UTS6103P | UTS6103S |
| | | Cable gland (Fig. 3) | UTS6JC103P | UTS6JC103S |
| | Jam nut receptacle | Without (Fig. 4) | UTS7103P | UTS7103S |
| PCB contacts supplied separately see page 31 | Jam nut receptacle | Without (Fig. 4) | UTS7103P | UTS7103S |

Overmoulded Cable Assembly Part Numbers

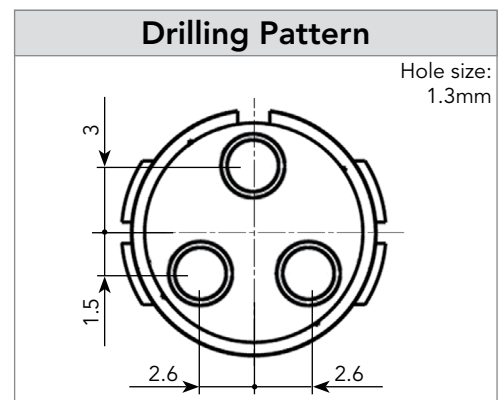
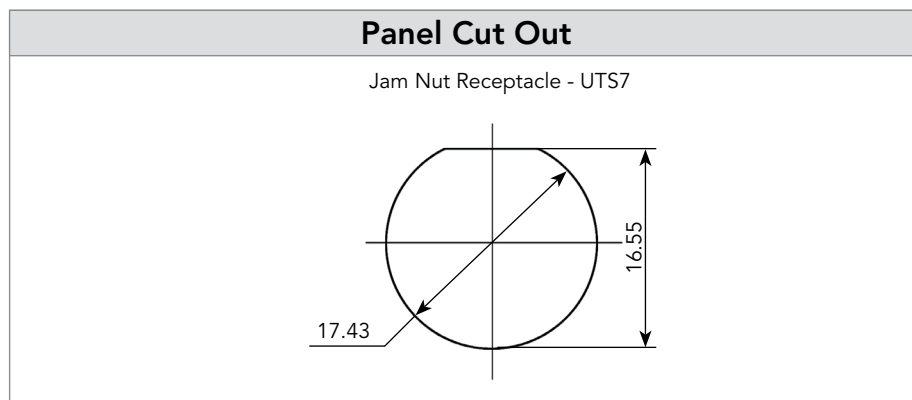
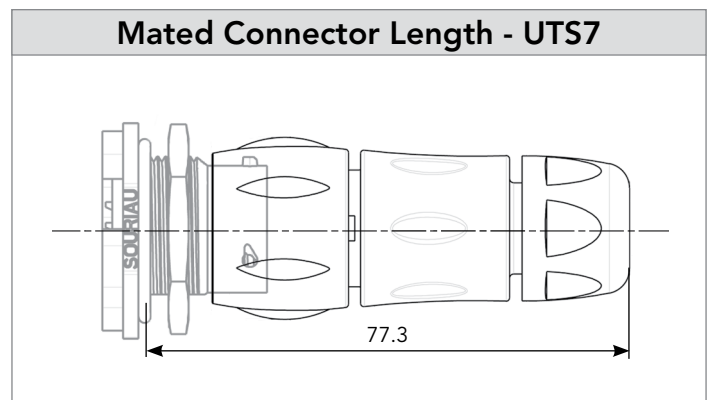
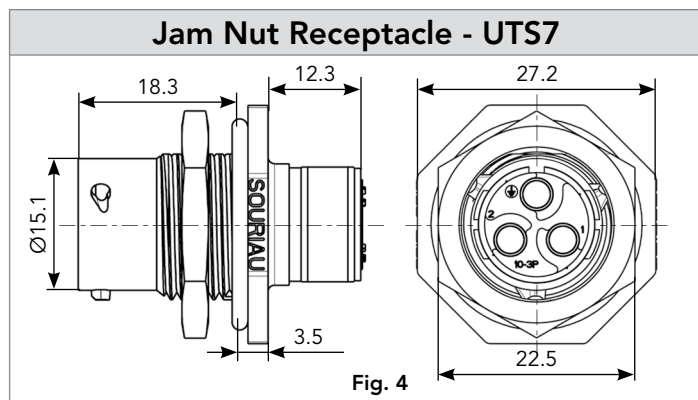
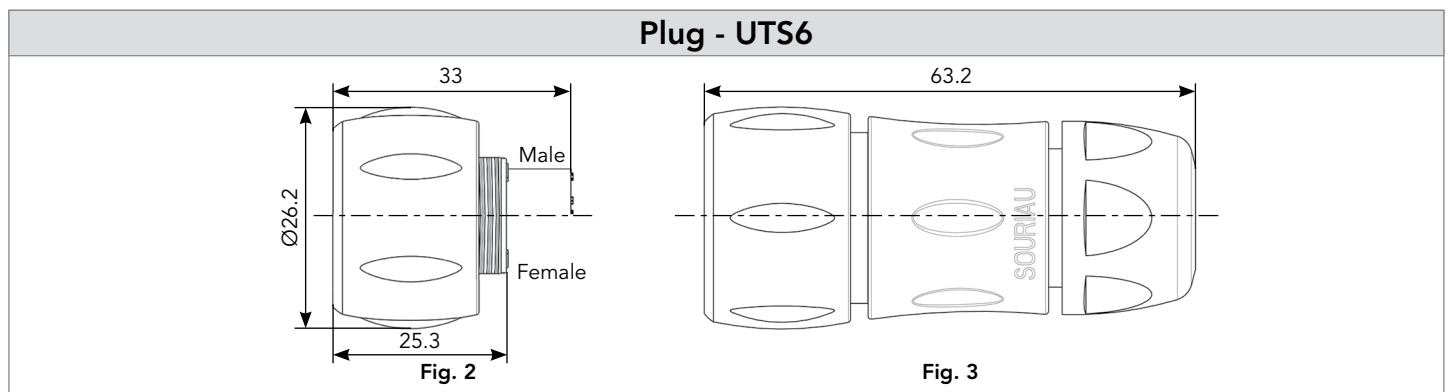
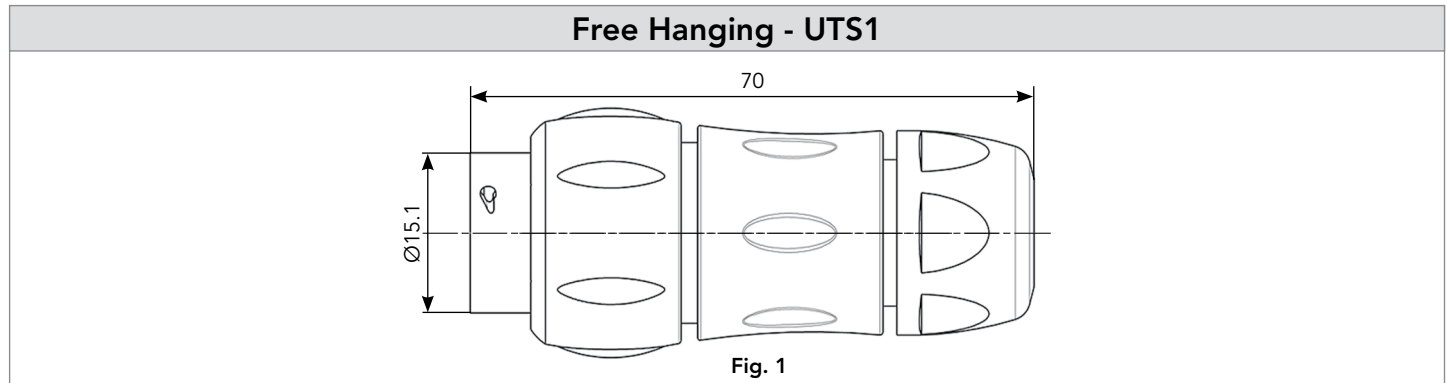
| Overmoulding type | Connector type | Wire size (mm ²) | Harmonized cable part number ⁽¹⁾ | Part number (length: 1m.)* | |
|--------------------|----------------|------------------------------|---|----------------------------|-------------------------|
| | | | | Male plug | Female plug |
| Straight ending | Plug | 1.5 | H05 VV - F 3x1.5 | HAUTS0V103PST100 | HAUTS0V103SST100 |
| Right angle ending | Plug | 1.5 | H05 VV - F 3x1.5 | HAUTS0V103PRA100 | HAUTS0V103SRA100 |

(1) Other cable available on demand

* Other lengths available on demand

103 (Shell size 10, 2 + ground, 3x#16)

Dimensions



Note: Overmoulded cable assembly dimensions available page 179.

Note: all dimensions are in mm

103 (Shell size 10, 2 + ground, 3x#16)

Accessories and Tooling

Jam Nut Sealing Caps



IP68/69K

| |
|-------------|
| Part number |
| UTS10DCG |



IP68/69K Metal terminal


| |
|-------------|
| Part number |
| UTS10DCGR |

Handle (without Head)



| |
|-------------|
| Part number |
| SHANDLES |

Tool Kit



| |
|-------------|
| Part number |
| TOOLKIT |

Plug Sealing Cap



IP68/69K

| |
|-------------|
| Part number |
| UTS610DCG |

Extraction Tool #16




| |
|-------------|
| Part number |
| RX2025GE1 |


Plastic Protective Cap




| Part numbers | |
|----------------|----------|
| Receptacle cap | Plug cap |
| 85005586A | 85005595 |

Color Coding Rings


G for Green 

Y for Yellow 

R for Red 

| Part numbers | |
|--------------|------------|
| Receptacles | Plugs |
| UTS710CCRR | UTS610CCRR |
| UTS710CCRY | UTS610CCRY |
| UTS710CCRG | UTS610CCRG |

Crimp Tooling (without Shandles)



| Contacts | Contact size | Part number of head | |
|--------------------------------|---|---------------------|--|
| RM/RC 28M1K ⁽¹⁾ | Standard contacts #16 Ø 1.6mm | S16RCM20* | |
| RM/RC 24M9K ⁽¹⁾ | | S16RCM20* | |
| RM/RC 20M13K ⁽¹⁾ | | S16RCM20* | |
| RM/RC 20M12K ⁽¹⁾ | | S16RCM20* | |
| RM/RC 16M23K ⁽¹⁾ | | S16RCM16* | |
| RM/RC 14M30K ⁽¹⁾ | | S16RCM14* | |
| SM/SC 24ML1TK6 ⁽¹⁾ | | S16SCM20* | |
| SM/SC 20ML1TK6 ⁽¹⁾ | | S16SCM20* | |
| SM/SC 16ML1TK6 ⁽¹⁾ | | S16SCML1* | |
| SM/SC 14ML1TK6 ⁽¹⁾ | | S16SCML1* | |
| SM/SC 16ML11TK6 ⁽¹⁾ | | S16SCML11* | |
| RMDXK10D28K | | Coaxial contacts | M10S1J with die set & stop bushing see page 200 to 204 |
| RCDXK1D28K | | | |
| RM/RC DX60xxD28K | | | |
| RM/RC DXK10D28 + yorK090 | | | |
| RM/RC DX60xxD28 | | | |

(1): Example of plating, for other plating options see page 164
* Heads to be used with handle PN: SHANDLES



103 (Shell size 10, 2 + ground, 3x#16)

Contacts



| #16 | Contact type | AWG | Part number | | Max wire Ø | Max insulator Ø |
|-------------|---|---------------------------------|------------------------------|------------------------------|------------|-----------------|
| | | | Male | Female | | |
| Crimp | Machined | 30-28 | RM28M1K ⁽¹⁾ | RC28M1K ⁽¹⁾ | 0.55 | 1.00 |
| | | 26-24 | RM24M9K ⁽¹⁾ | RC24M9K ⁽¹⁾ | 0.80 | 1.60 |
| | | 22-20 | RM20M13K ⁽¹⁾ | RC20M13K ⁽¹⁾ | 1.15 | 1.80 |
| | | 22-20 | RM20M12K ⁽¹⁾ | RC20M12K ⁽¹⁾ | 1.15 | 2.20 |
| | | 20-16 | RM16M23K ⁽¹⁾ | RC16M23K ⁽¹⁾ | 1.80 | 3.20 |
| | | 16-14 | RM14M30K ⁽¹⁾ | RC14M30K ⁽¹⁾ | 2.30 | 3.20 |
| | Stamped & Formed reeled contacts <small>See note (2) for loose piece</small> | 26-24 | SM24M1TK6 ⁽¹⁾⁽²⁾ | SC24M1TK6 ⁽¹⁾⁽²⁾ | - | 0.90-1.60 |
| | | 22-20 | SM20M1TK6 ⁽¹⁾⁽²⁾ | SC20M1TK6 ⁽¹⁾⁽²⁾ | - | 1.20-2.10 |
| | | 18-16 | SM16M1TK6 ⁽¹⁾⁽²⁾ | SC16M1TK6 ⁽¹⁾⁽²⁾ | - | 3.20 |
| | | 18-16 | SM16M11TK6 ⁽¹⁾⁽²⁾ | SC16M11TK6 ⁽¹⁾⁽²⁾ | - | 3.00 |
| 14 | | SM14M1TK6 ⁽¹⁾⁽²⁾ | SC14M1TK6 ⁽¹⁾⁽²⁾ | - | 3.20 | |
| PCB | Machined ⁽³⁾ | - | RM20M12E83K ⁽¹⁾ | RC20M12E84K ⁽¹⁾ | - | - |
| Coaxial | Cable Multipiece | see pages 167, 200 to 206 | RMDXK10D28 | RCDXK1D28 | - | - |
| | Cable Monocrimp | | RMDX60xxD28 | RCDX60xxD28 | - | - |
| | Twisted pair Multipiece | | RMDXK10D28 + york090 | RCDXK1D28 + york090 | - | - |
| | Twisted pair Monocrimp | | RMDX60xxD28 | RCDX60xxD28 | - | - |
| Fiber optic | POF contacts (Plastic Optical Fiber) | - | RMPOF1000 | RCPOF1000B | - | - |

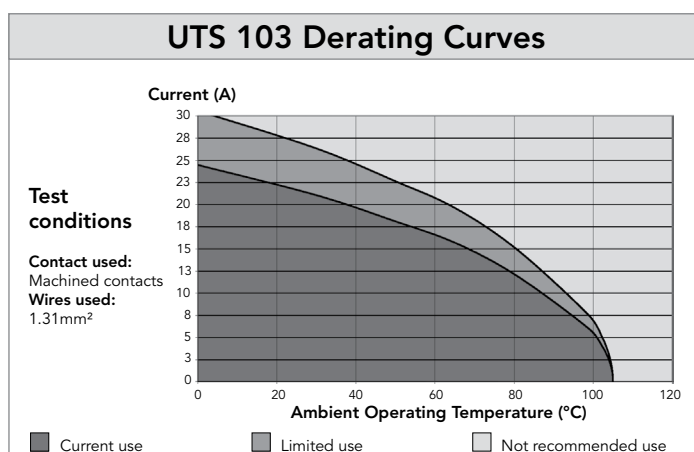
(1): Example of plating, for other plating see page 164 (2): Loose piece contact available if putting L. Example: SM20ML1TK6 (3): For dimensions see page 168 Note: all dimensions are in mm

Electrical Characteristics

UL
10A 500V UL94 V-0

CSA
7A 500V UL94 V-0

IEC
16A 300V 4kV 3
Temperature elevation: 50°C



142G1 (Shell size 14, 2 + ground, 3x#8)



Connector Part Numbers

| Contact type | Connector type | Backshell | Part number | |
|--|----------------------------------|----------------------|----------------------|-------------------------|
| | | | Male insert | Female insert |
| Crimp contacts supplied separately see page 35 | Square flange receptacle | Without (Fig. 1) | UTS0142G1P | - |
| | Free hanging receptacle | Cable gland (Fig. 6) | UTS1JC142G1P | UTS1JC142G1S |
| | Plug | Without (Fig. 3) | UTS6142G1P | UTS6142G1S |
| | | Cable gland (Fig. 4) | UTS6JC142G1P | UTS6JC142G1S |
| | Jam nut receptacle | Without (Fig. 2) | UTS7142G1P | UTS7142G1S |
| NPT threaded receptacle | Without (Fig. 5) | - | UTS7142G1SNPT | |
| PCB contacts supplied separately see page 35 | Square flange receptacle | Without (Fig. 1) | UTS0142G1P | - |
| | Jam nut receptacle | Without (Fig. 2) | UTS7142G1P | UTS7142G1S |
| | NPT threaded receptacle | Without (Fig. 5) | - | UTS7142G1SNPT |
| | NPT threaded receptacle with nut | Without (Fig. 5) | - | UTS7142G1SNPTNUT |

Overmoulded Cable Assembly Part Numbers

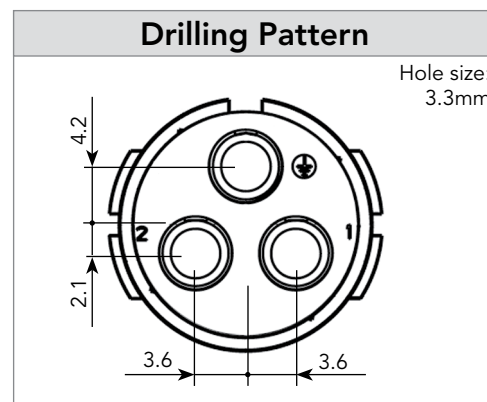
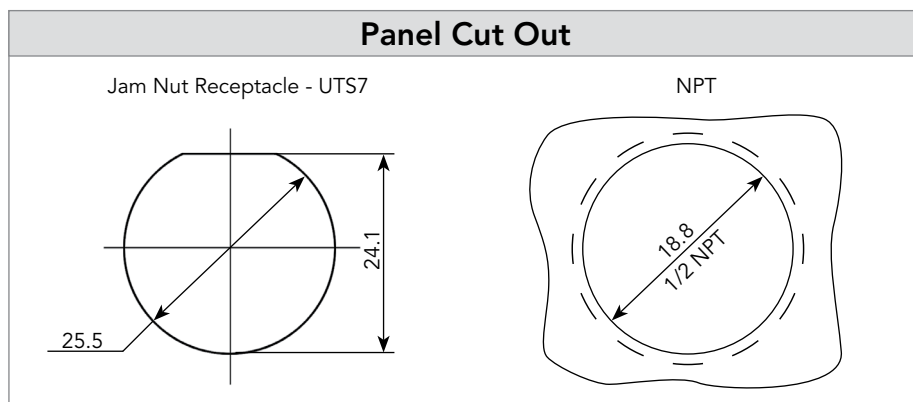
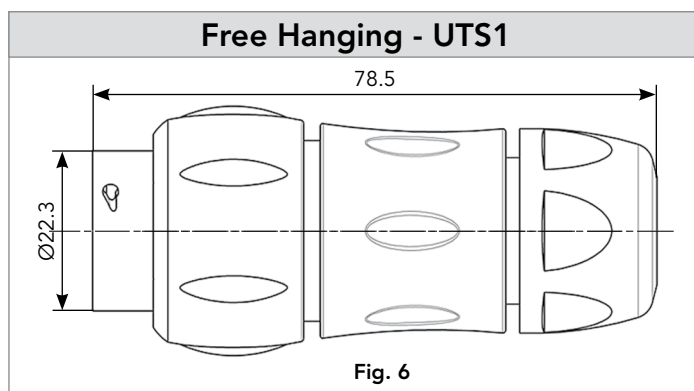
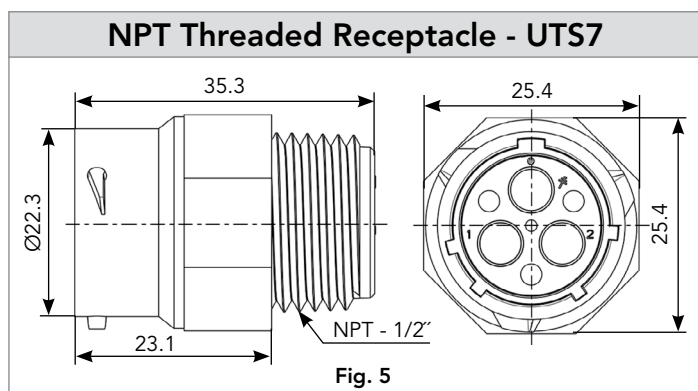
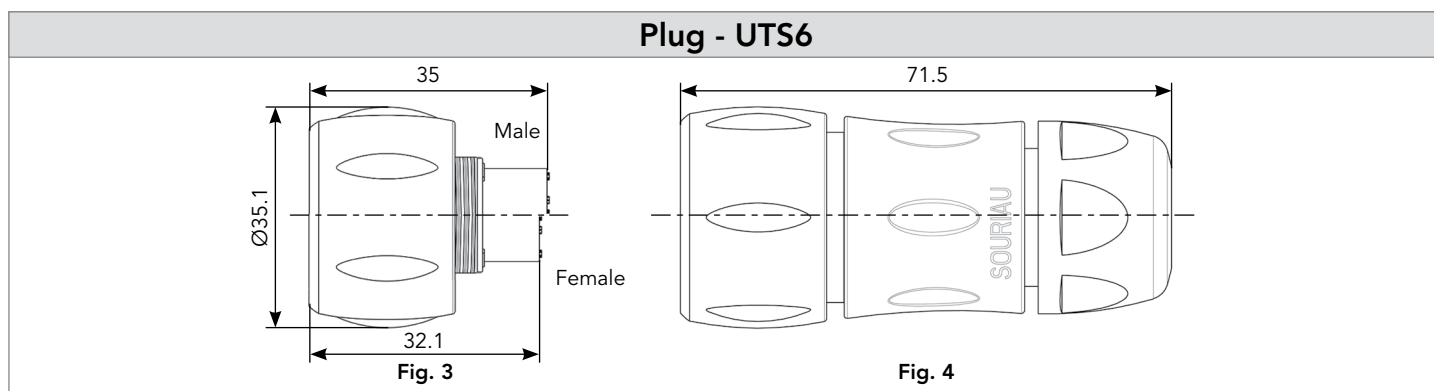
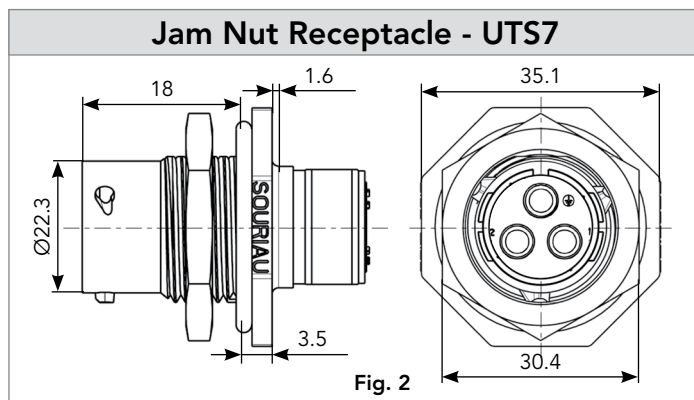
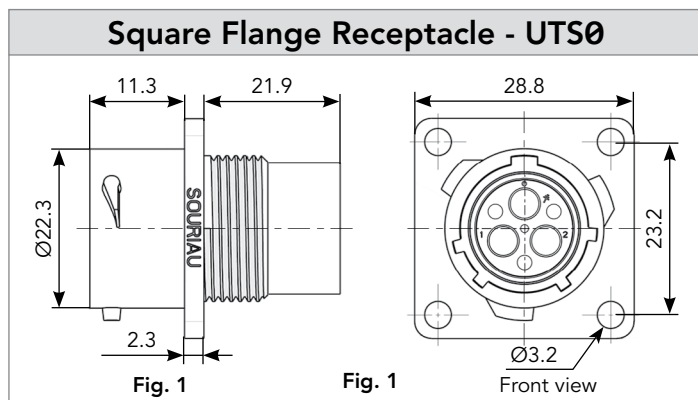
| Overmoulding type | Connector type | Wire size (mm ²) | Harmonized cable part number ⁽¹⁾ | Part number (length: 1m.)* | |
|--------------------|----------------|------------------------------|---|----------------------------|---------------------------|
| | | | | Male plug | Female plug |
| Straight ending | Plug | 0.5 | H05 VV - F 3x0.5 | HAUTS0V142G1PST100 | HAUTS0V142G1SST100 |
| Right angle ending | Plug | 0.5 | H05 VV - F 3x0.5 | HAUTS0V142G1PRA100 | HAUTS0V142G1SRA100 |

(1) Other cable available on demand

* Other lengths available on demand

142G1 (Shell size 14, 2 + ground, 3x#8)

Dimensions



Note: Overmoulded cable assembly dimensions available page 179.

Note: all dimensions are in mm

142G1 (Shell size 14, 2 + ground, 3x#8)

Accessories and Tooling

Jam Nut or NPT Threaded Receptacle Sealing Caps



IP68/69K

Part number
UTS14DCG



IP68/69K

Metal terminal

Part number
UTS14DCGR

Plug Sealing Cap



IP68/69K

Part number
UTS614DCG

Plastic Protective Cap



Part numbers

| Receptacle cap | Plug cap |
|----------------|----------|
| 85005588A | 85005597 |

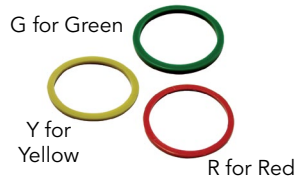
Gasket



Part numbers

UTFD14B

Color Coding Rings



| Part numbers | |
|--------------|------------|
| Receptacles | Plugs |
| UTS714CCRR | UTS614CCRR |
| UTS714CCRY | UTS614CCRY |
| UTS714CCRG | UTS614CCRG |

Hand Tool



Part number
M317

Positioner + Locator Setting #8



Part number
VGE10078A

Extraction Tool #8



Part number
51060210936

142G1 (Shell size 14, 2 + ground, 3x#8)

Contacts



| #8 | Contact type | AWG | Part number | | Max wire Ø | Max insulator Ø |
|-------|-------------------------|-----|----------------------------|----------------------------|------------|-----------------|
| | | | Male | Female | | |
| Crimp | Machined | 16 | 82913601A ⁽¹⁾ | 82913600A ⁽¹⁾ | 1.72 mm | 6.5 mm |
| | | 14 | 82913603A ⁽¹⁾ | 82913602A ⁽¹⁾ | 2.22 mm | |
| | | 12 | 82913605A ⁽¹⁾ | 82913604A ⁽¹⁾ | 2.82 mm | |
| | | 10 | 82913607A ⁽¹⁾ | 82913606A ⁽¹⁾ | 3.50 mm | |
| | | 8 | 82913609A ⁽¹⁾ | 82913608A ⁽¹⁾ | 4.35 mm | |
| PCB | Machined ⁽²⁾ | - | 82911685NPC ⁽¹⁾ | 82911684NPC ⁽¹⁾ | - | - |

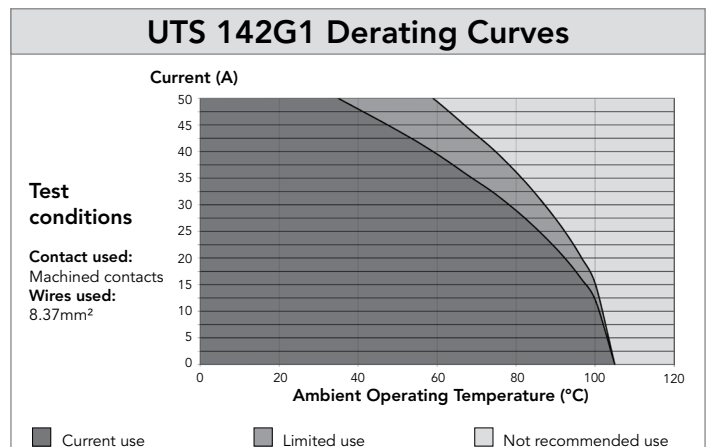
(1): Example of plating, for other plating see page 164
 (2): For dimensions see page 168

Electrical Characteristics

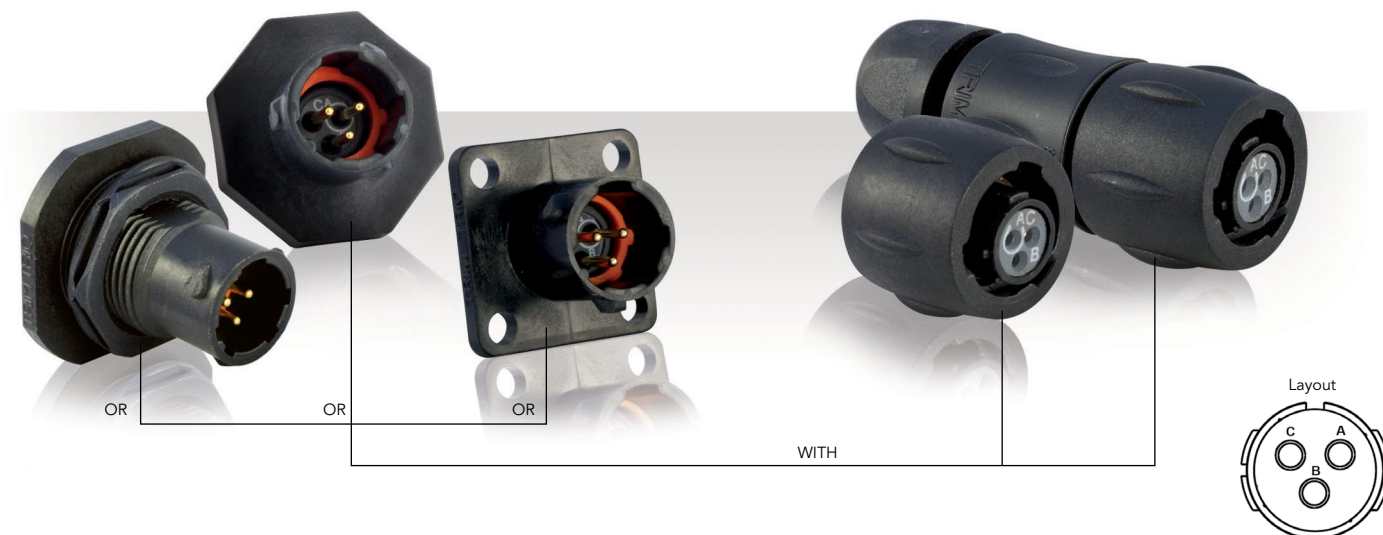
UL
44A 600V UL94 V-0

CSA
30A 600V UL94 V-0

IEC
40A 300V 4kV 3



8E3/8D3 (Shell size 8, 3x#20)



Connector Part Numbers

| Contact type | Connector type | Backshell | Part number | |
|--|--|----------------------|--------------------|--------------------|
| | | | Male insert | Female insert |
| Hand solder electrical contacts loaded see page 39 | Square flange receptacle | Without (Fig. 1) | UTS08E3P | UTS08E3S |
| | Plug | Without (Fig. 7) | UTS68E3P | UTS68E3S |
| | | Cable gland (Fig. 8) | UTS6JC8E3P | UTS6JC8E3S |
| | Jam nut receptacle | Without (Fig. 4) | UTS78E3P | UTS78E3S |
| | M12 threaded receptacle | Without (Fig.3) | UTS78E3PM12 | UTS78E3SM12 |
| PCB contacts loaded see page 39 | Square flange receptacle | Without (Fig. 2) | UTS08D3P | UTS08D3S |
| | Jam nut receptacle with stand off and with hold down clips | Without (Fig. 6) | UTS78D3P32 | UTS78D3S32 |
| | Jam nut receptacle with stand off and without hold down clip | Without (Fig. 5) | UTS78D3P | UTS78D3S |
| | M12 threaded receptacle | Without (Fig.3) | UTS78D3PM12 | UTS78D3SM12 |

Possibilities of discrimination/keying methods see page 208

Sealed unmatred

Overmoulded Cable Assembly Part Numbers

| Overmoulding type | Connector type | Wire size (mm ²) | Harmonized cable part number ⁽¹⁾ | Part number (length: 1m.)* | |
|--------------------|----------------|------------------------------|---|----------------------------|-------------------------|
| | | | | Male plug | Female plug |
| Straight ending | Plug | 0.5 | H05 VV - F 3x0.5 | HAUTS0V8E3PST100 | HAUTS0V8E3SST100 |
| Right angle ending | Plug | 0.5 | H05 VV - F 3x0.5 | HAUTS0V8E3PRA100 | HAUTS0V8E3SRA100 |

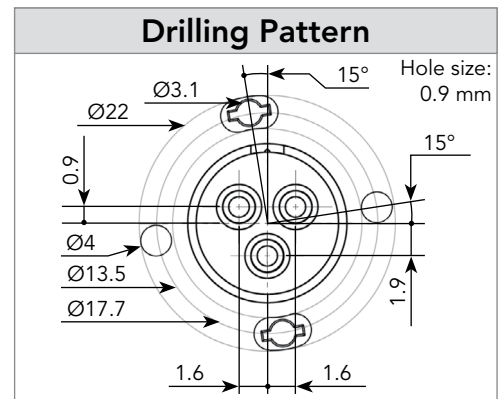
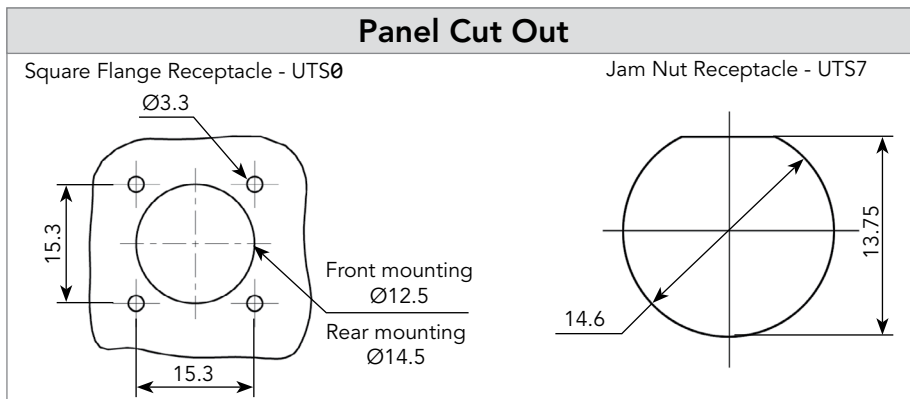
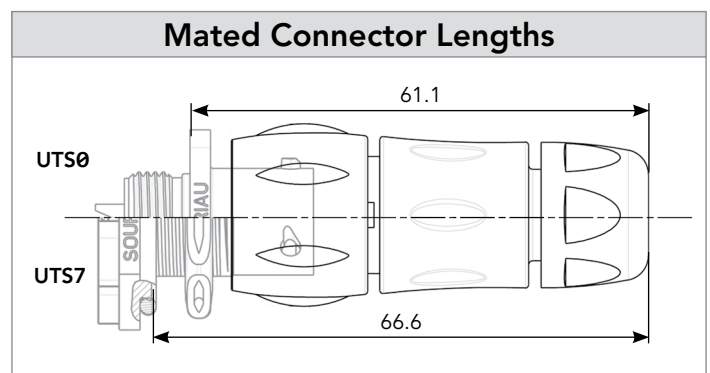
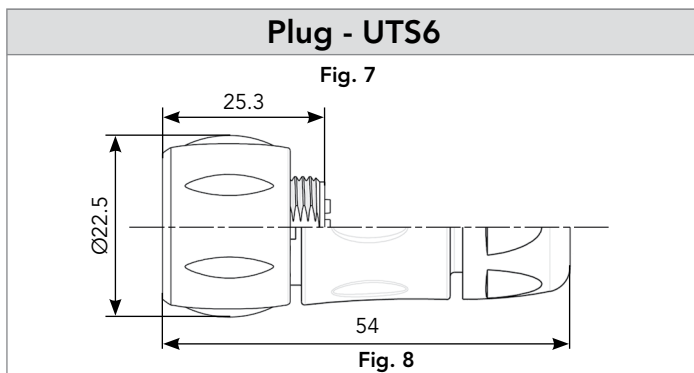
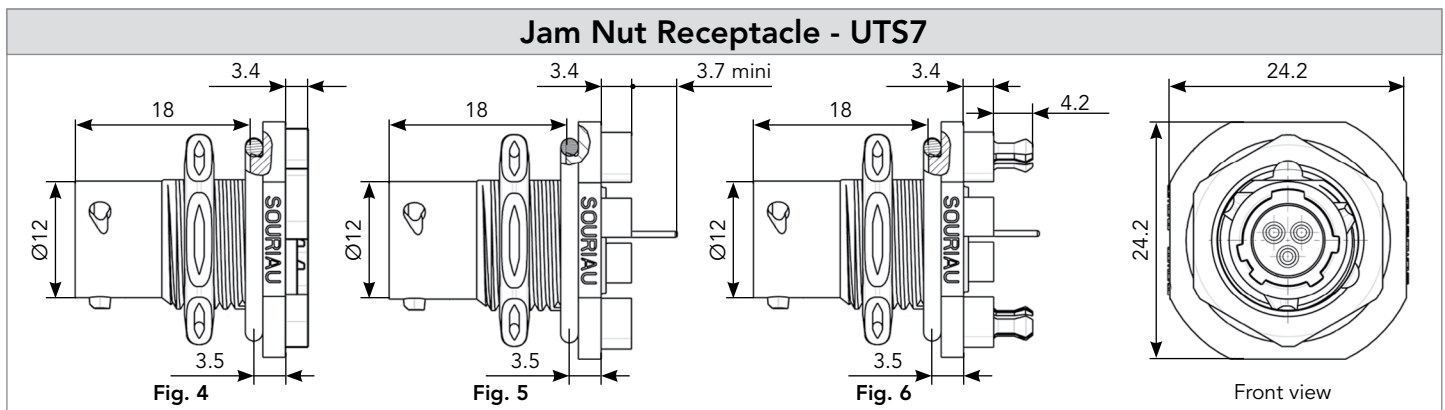
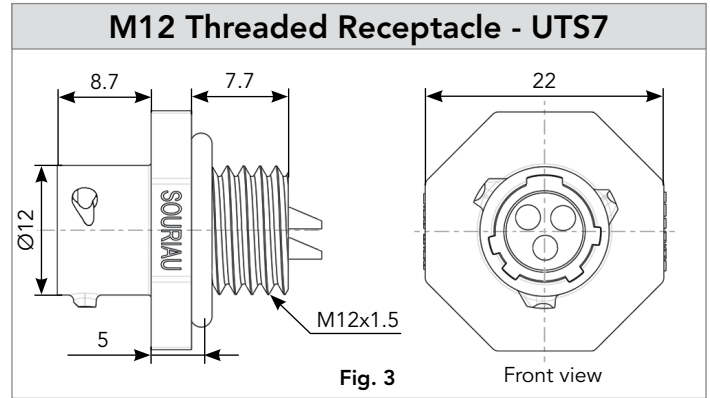
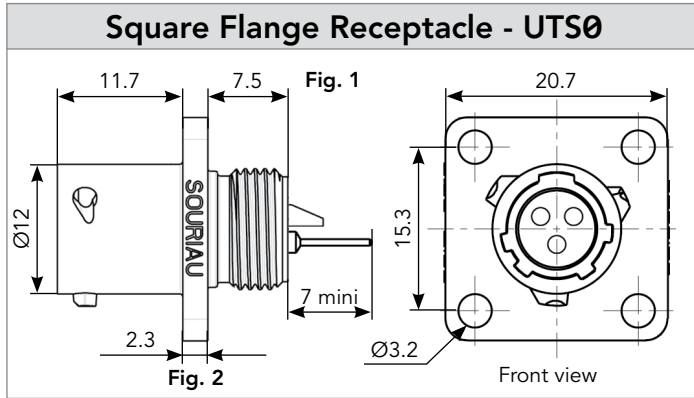
(1) Other cable available on demand

* Other lengths available on demand

8E3/8D3 (Shell size 8, 3x#20)

Dimensions

3




Note: Overmoulded cable assembly dimensions available page 179.

Note: all dimensions are in mm

8E3/8D3 (Shell size 8, 3x#20)


Accessories

Jam Nut Sealing Caps



IP68/69K

| Part number |
|-------------|
| UTS8DCG |



IP68/69K Metal terminal

| Part number |
|-------------|
| UTS8DCGR |


Square Flange Sealing Cap



IP68/69K Metal terminal

| Part number |
|-------------|
| UTS8DCGE |

Plug Protective Cap



IP40


| Part number |
|-------------|
| UTS68C |

Plastic Protective Cap



| Part numbers | |
|----------------|----------|
| Receptacle cap | Plug cap |
| 85005585A | 85005594 |


Gasket




| Part numbers |
|--------------|
| UTFD11B |

Color Coding Rings


G for Green



Y for Yellow



R for Red



| Part numbers | |
|--------------|-----------|
| Receptacles | Plugs |
| UTS78CCRR | UTS68CCRR |
| UTS78CCRY | UTS68CCRY |
| UTS78CCRG | UTS68CCRG |

8E3/8D3 (Shell size 8, 3x#20)

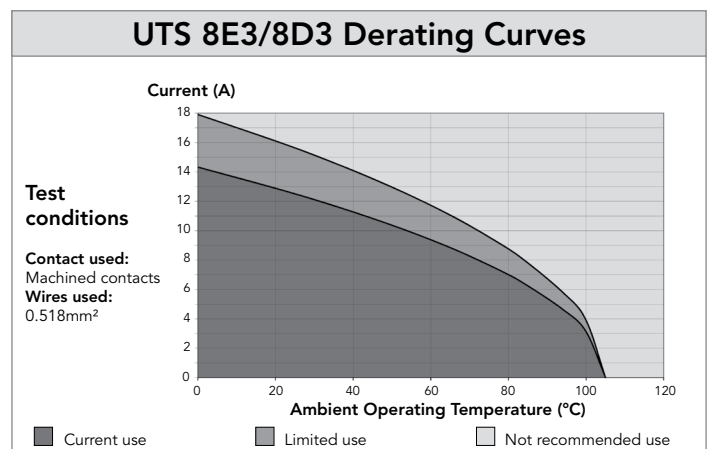
Contacts

| #20 | Contact type | Plating | Cable acceptance (AWG) | Wire stripping length |
|-------------|-------------------------|----------------------------|------------------------|-----------------------|
| Hand solder | Loaded in the connector | Min 0.4μ gold over 0.8μ Ni | 22 to 18 | 5 mm |
| PCB | Machined ⁽¹⁾ | Min 0.4μ gold over 0.8μ Ni | - | - |

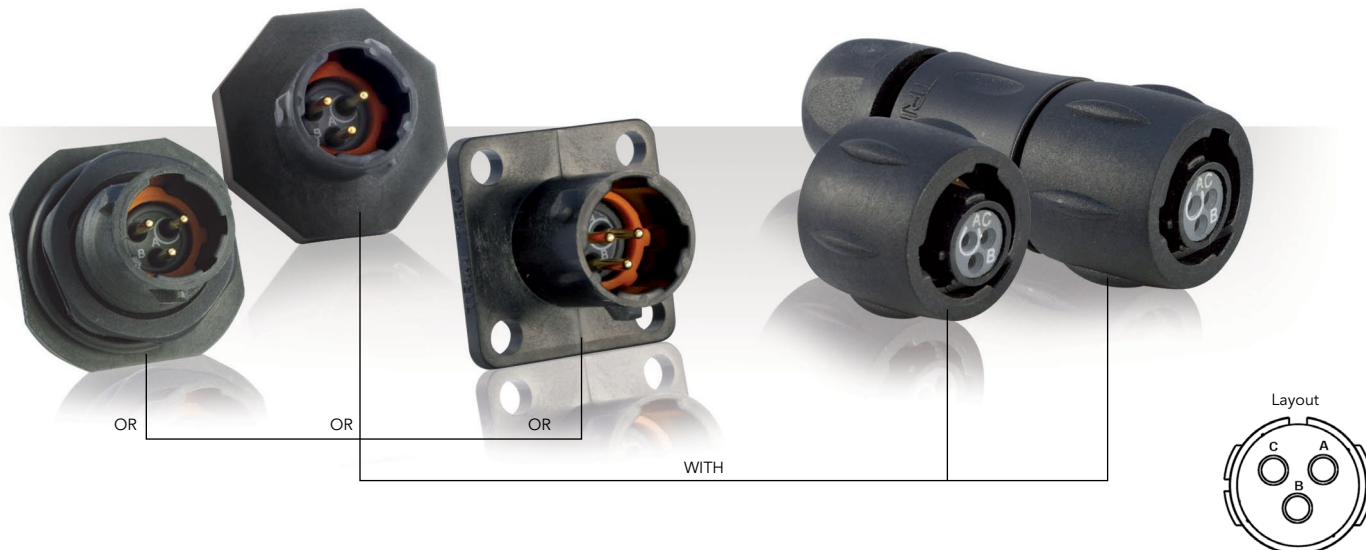
(1): For dimensions see page 169

3

| Electrical Characteristics |
|---|
| <p>UL 7A 250V UL94 HB</p> <p>CSA 7A 250V UL94 HB</p> <p>IEC 7A 32V 1.5kV 3</p> |



8E3A/8E98 - 8D3A/8D98 (Shell size 8, 3x#20)



Connector Part Numbers

| Contact type | Connector type | Backshell | Part number | |
|--|---------------------------------|--------------------------|------------------|---------------|
| | | | Male insert | Female insert |
| Hand solder electrical contacts loaded see page 43 | Square flange receptacle | Without (Fig. 1) | UTS08E3AP | UTS08E3AS |
| | | Without (Fig. 7) | UTS08E98P | UTS08E98S |
| | Plug | Without (Fig. 8) | UTS68E3AP | UTS68E3AS |
| | | | UTS68E98P | UTS68E98S |
| | | | UTS6JC8E3AP | UTS6JC8E3AS |
| | Jam nut receptacle | Without (Fig. 4) | UTS6JC8E98P | UTS6JC8E98S |
| | | | UTS78E3AP | UTS78E3AS |
| | M12 threaded receptacle | Without (Fig. 3) | UTS78E98P | UTS78E98S |
| | | | UTS78E3APM12 | UTS78E3ASM12 |
| | PCB contacts loaded see page 43 | Square flange receptacle | Without (Fig. 2) | UTS78E98PM12 |
| UTS08D3AP | | | | UTS08D3AS |
| Jam nut receptacle with stand off and with hold down clips | | Without (Fig. 6) | UTS08D98P | UTS08D98S |
| | | | UTS78D3AP32 | UTS78D3AS32 |
| Jam nut receptacle with stand off and without hold down clip | | Without (Fig. 5) | UTS78D98P32 | UTS78D98S32 |
| | | | UTS78D3AP | UTS78D3AS |
| M12 threaded receptacle | | Without (Fig. 3) | UTS78D98P | UTS78D98S |
| | | | UTS78D3APM12 | UTS78D3ASM12 |
| | | UTS78D98PM12 | UTS78D98SM12 | |

Possibilities of discrimination/keying methods see page 208

Sealed unmatred

Overmoulded Cable Assembly Part Numbers

| Overmoulding type | Connector type | Wire size (mm ²) | Harmonized cable part number ⁽¹⁾ | Part number (length: 1m.)* | |
|--------------------|----------------|------------------------------|---|----------------------------|-------------------|
| | | | | Male plug | Female plug |
| Straight ending | Plug | 0.5 | H05 VV - F 3x0.5 | HAUTS0V8E3APST100 | HAUTS0V8E3ASST100 |
| Right angle ending | Plug | 0.5 | H05 VV - F 3x0.5 | HAUTS0V8E3APRA100 | HAUTS0V8E3ASRA100 |

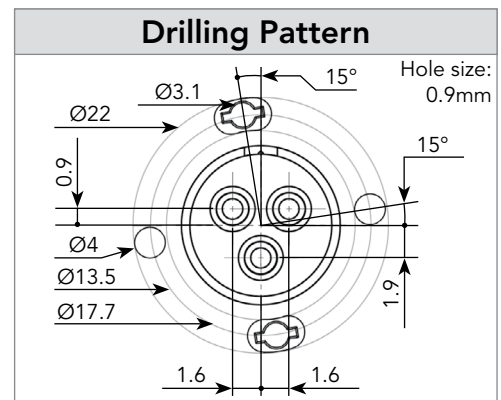
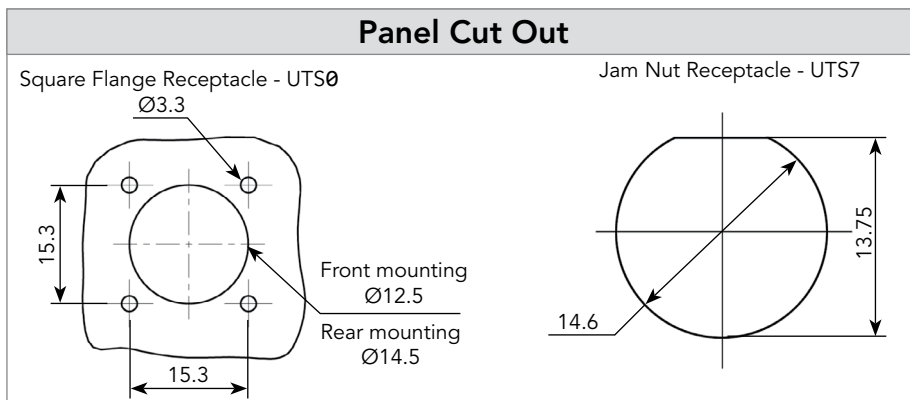
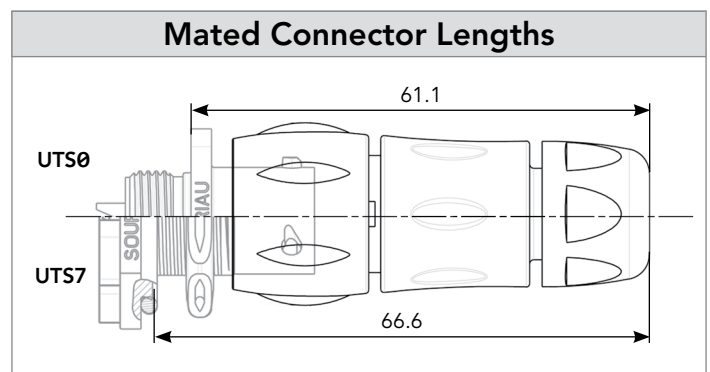
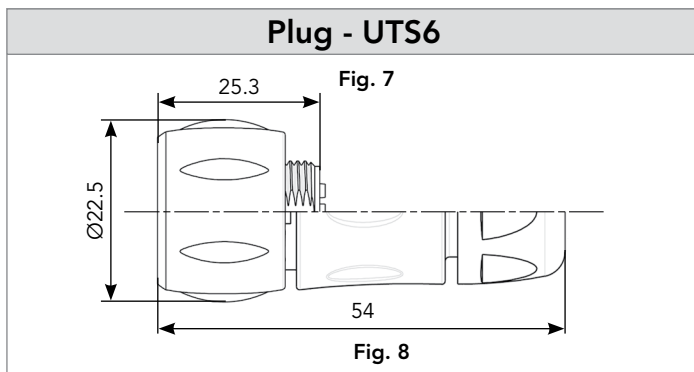
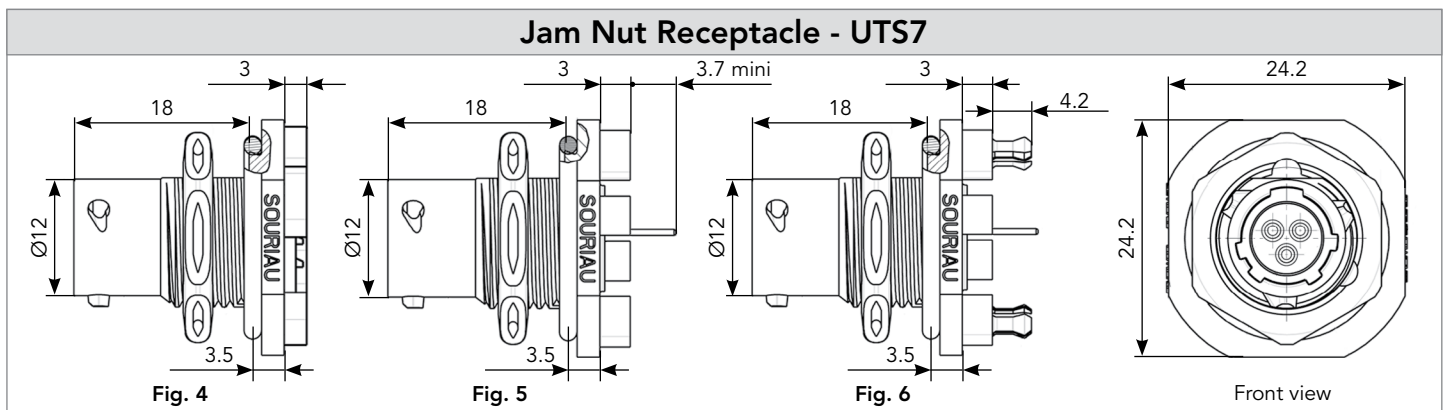
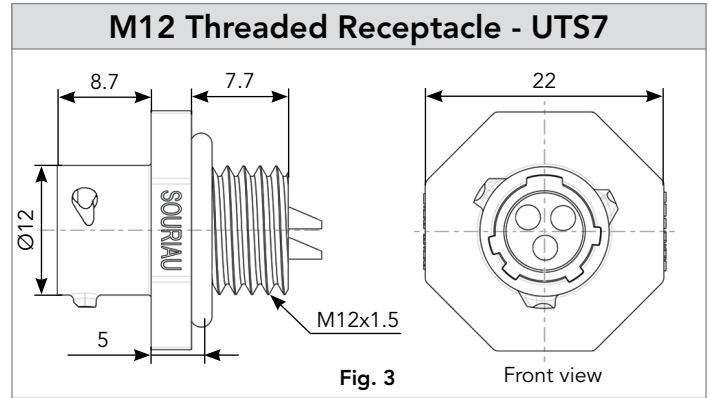
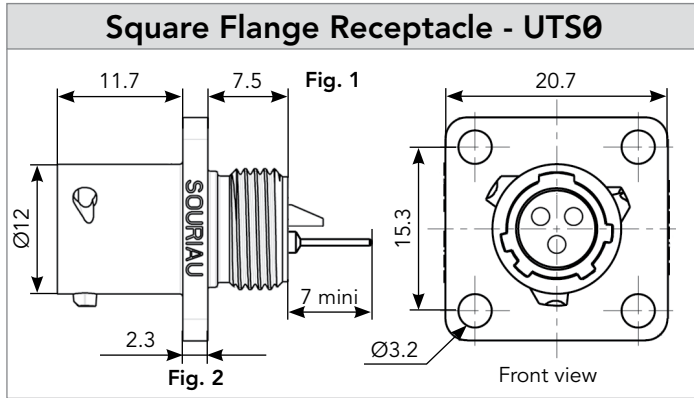
(1) Other cable available on demand

* Other lengths available on demand

8E3A/8E98 - 8D3A/8D98 (Shell size 8, 3x#20)

Dimensions

3



Note: Overmoulded cable assembly dimensions available page 179.

Note: all dimensions are in mm

8E3A/8E98 - 8D3A/8D98 (Shell size 8, 3x#20)

Accessories

Jam Nut Sealing Caps



IP68/69K

| Part number | |
|-------------|--|
| UTS8DCG | |



IP68/69K Metal terminal

| Part number | |
|-------------|--|
| UTS8DCGR | |

Square Flange Sealing Cap



IP68/69K Metal terminal

| Part number | |
|-------------|--|
| UTS8DCGE | |

Plug Protective Cap



IP40


| Part number | |
|-------------|--|
| UTS68C | |

Plastic Protective Cap



| Part numbers | |
|----------------|----------|
| Receptacle cap | Plug cap |
| 85005585A | 85005594 |


Gasket




| Part numbers | |
|--------------|--|
| UTFD11B | |

Color Coding Rings


G for Green



Y for Yellow



R for Red



| Part numbers | |
|--------------|-----------|
| Receptacles | Plugs |
| UTS78CCRR | UTS68CCRR |
| UTS78CCRY | UTS68CCRY |
| UTS78CCRG | UTS68CCRG |

8E3A/8E98 - 8D3A/8D98 (Shell size 8, 3x#20)

Contacts

| #20 | Contact type | Plating | Cable acceptance (AWG) | Wire stripping length |
|-------------|-------------------------|----------------------------|------------------------|-----------------------|
| Hand solder | Loaded in the connector | Min 0.4μ gold over 0.8μ Ni | 22 to 18 | 5 mm |
| PCB | Machined ⁽¹⁾ | Min 0.4μ gold over 0.8μ Ni | - | - |

3

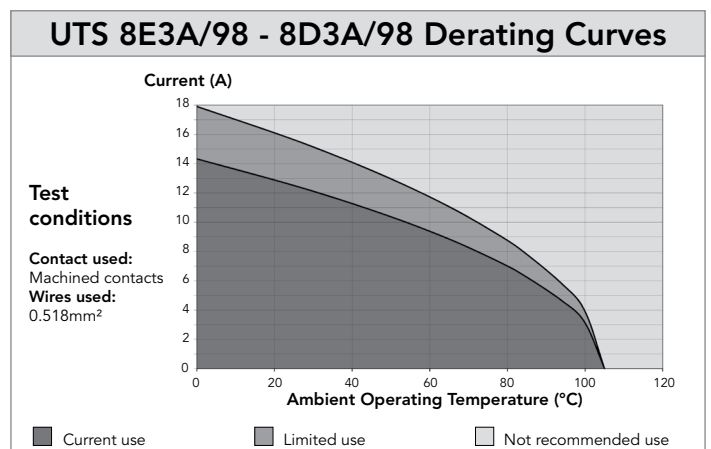
(1): For dimensions see page 169

Electrical Characteristics

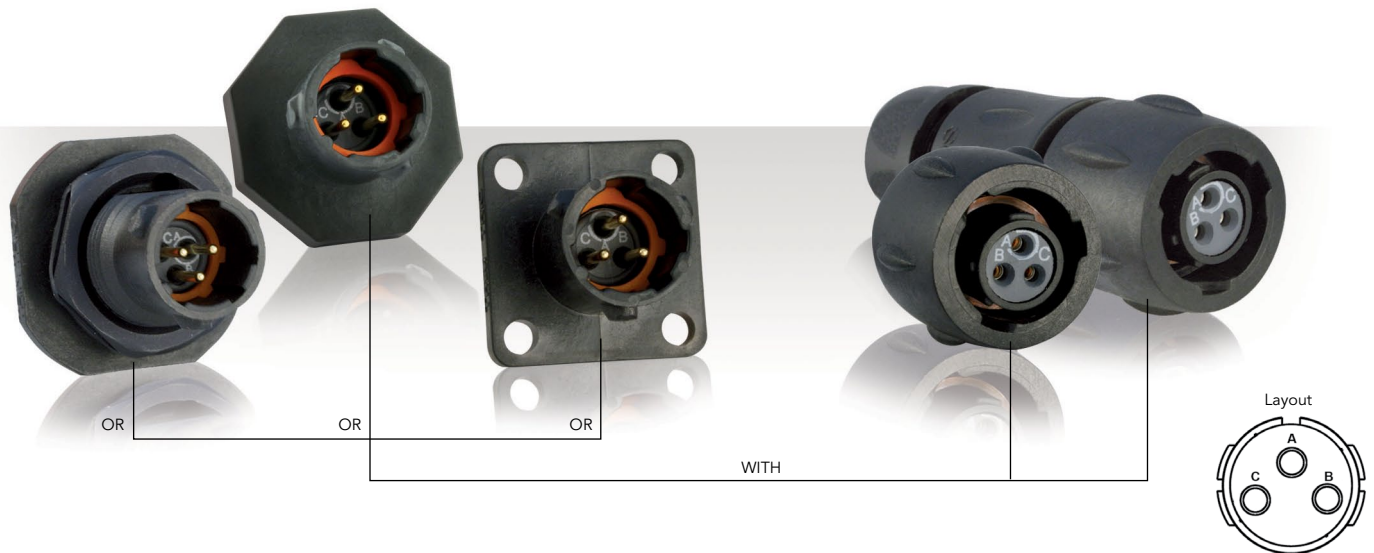
UL
7A 250V UL94 HB

CSA
7A 250V UL94 HB

IEC
7A 50V 1.5kV 3



8E33/8D33 (Shell size 8, 3x#20)



Connector Part Numbers

| Contact type | Connector type | Backshell | Part number | |
|--|--|----------------------|---------------------|---------------------|
| | | | Male insert | Female insert |
| Hand solder electrical contacts loaded see page 47 | Square flange receptacle | Without (Fig. 1) | UTS08E33P | UTS08E33S |
| | Plug | Without (Fig. 7) | UTS68E33P | UTS68E33S |
| | | Cable gland (Fig. 8) | UTS6JC8E33P | UTS6JC8E33S |
| | Jam nut receptacle | Without (Fig. 4) | UTS78E33P | UTS78E33S |
| | M12 threaded receptacle | Without (Fig. 3) | UTS78E33PM12 | UTS78E33SM12 |
| PCB contacts loaded see page 47 | Square flange receptacle | Without (Fig. 2) | UTS08D33P | UTS08D33S |
| | Jam nut receptacle with stand off and with hold down clips | Without (Fig. 6) | UTS78D33P32 | UTS78D33S32 |
| | Jam nut receptacle with stand off and without hold down clip | Without (Fig. 5) | UTS78D33P | UTS78D33S |
| | M12 threaded receptacle | Without (Fig. 3) | UTS78D33PM12 | UTS78D33SM12 |

Possibilities of discrimination/keying methods see page 208

Sealed unmatad

Overmoulded Cable Assembly Part Numbers

| Overmoulding type | Connector type | Wire size (mm ²) | Harmonized cable part number ⁽¹⁾ | Part number (length: 1m.)* | |
|--------------------|----------------|------------------------------|---|----------------------------|---------------------------|
| | | | | Male plug | Female plug |
| Straight ending | Plug | 0.5 | H05 VV - F 3x0.5 | HAUTS0V8E33APST100 | HAUTS0V8E33ASST100 |
| Right angle ending | Plug | 0.5 | H05 VV - F 3x0.5 | HAUTS0V8E33APRA100 | HAUTS0V8E33ASRA100 |

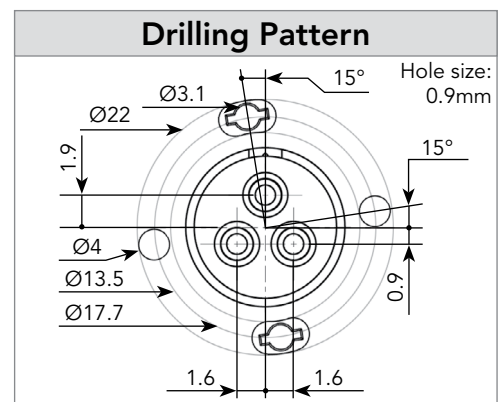
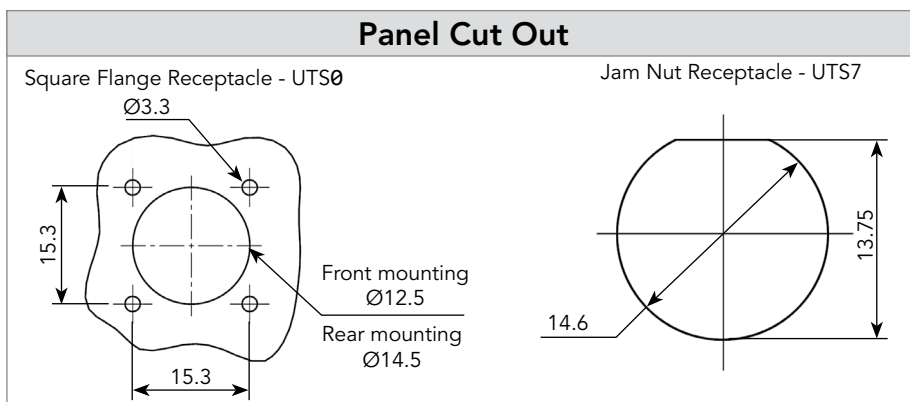
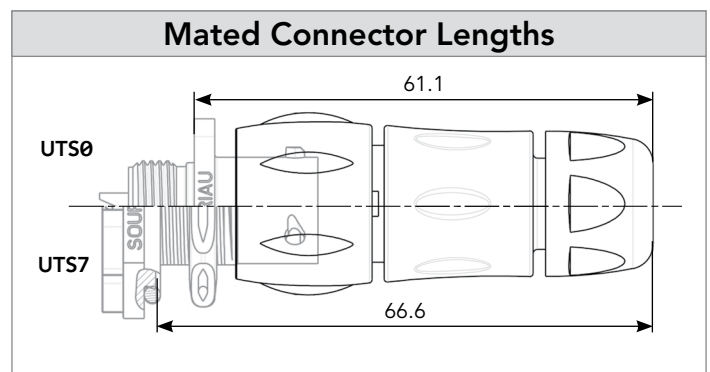
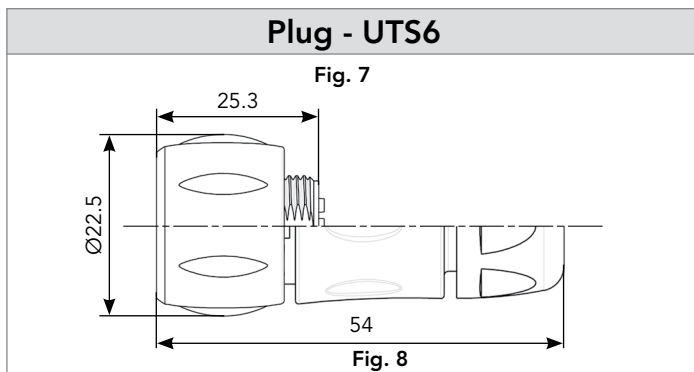
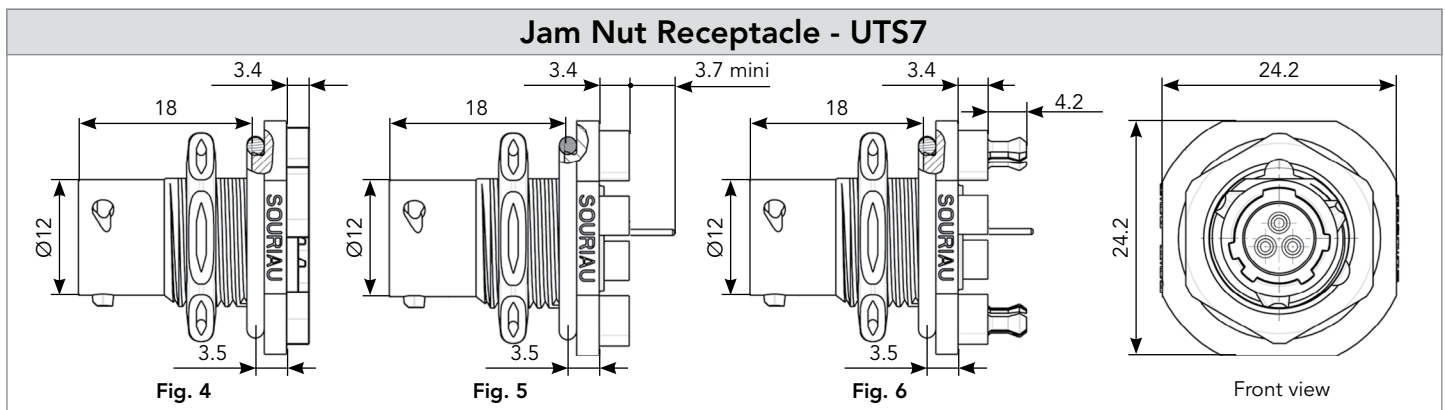
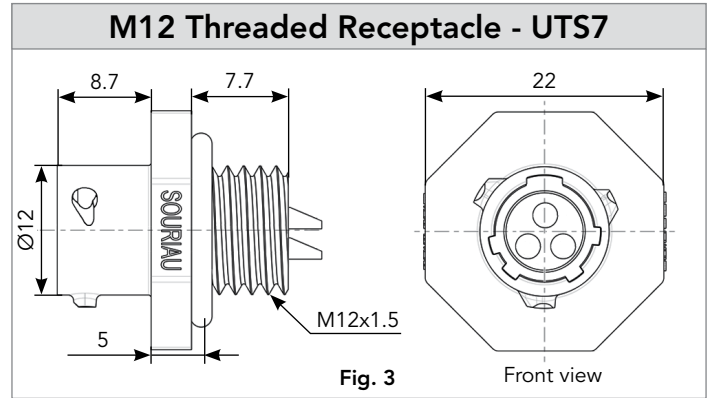
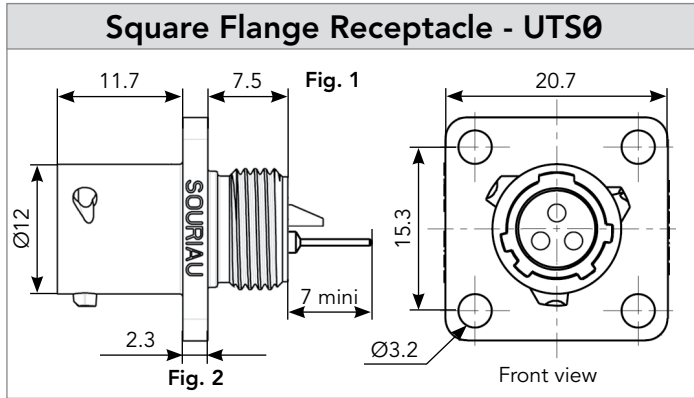
(1) Other cable available on demand

* Other lengths available on demand

8E33/8D33 (Shell size 8, 3x#20)

Dimensions

3



Note: Overmoulded cable assembly dimensions available page 179.

Note: all dimensions are in mm

8E33/8D33 (Shell size 8, 3x#20)


Accessories

Jam Nut Sealing Caps



IP68/69K

| Part number |
|-------------|
| UTS8DCG |



IP68/69K Metal terminal

| Part number |
|-------------|
| UTS8DCGR |


Square Flange Sealing Cap



IP68/69K Metal terminal

| Part number |
|-------------|
| UTS8DCGE |

Plug Protective Cap



IP40


| Part number |
|-------------|
| UTS68C |

Plastic Protective Cap



| Part numbers | |
|----------------|----------|
| Receptacle cap | Plug cap |
| 85005585A | 85005594 |


Gasket




| Part numbers |
|--------------|
| UTFD11B |

Color Coding Rings


G for Green



Y for Yellow



R for Red



| Part numbers | |
|--------------|-----------|
| Receptacles | Plugs |
| UTS78CCRR | UTS68CCRR |
| UTS78CCRY | UTS68CCRY |
| UTS78CCRG | UTS68CCRG |

8E33/8D33 (Shell size 8, 3x#20)

Contacts

| #20 | Contact type | Plating | Cable acceptance (AWG) | Wire stripping length |
|-------------|-------------------------|----------------------------|------------------------|-----------------------|
| Hand solder | Loaded in the connector | Min 0.4μ gold over 0.8μ Ni | 22 to 18 | 5 mm |
| PCB | Machined ⁽¹⁾ | Min 0.4μ gold over 0.8μ Ni | - | - |

3

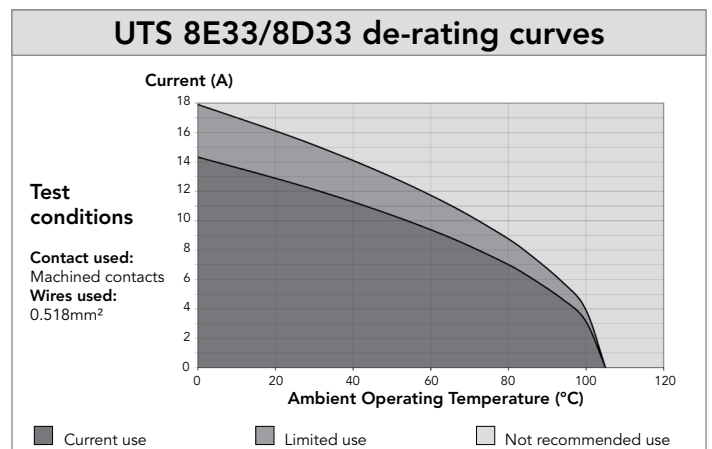
(1): For dimensions see page 169

Electrical Characteristics

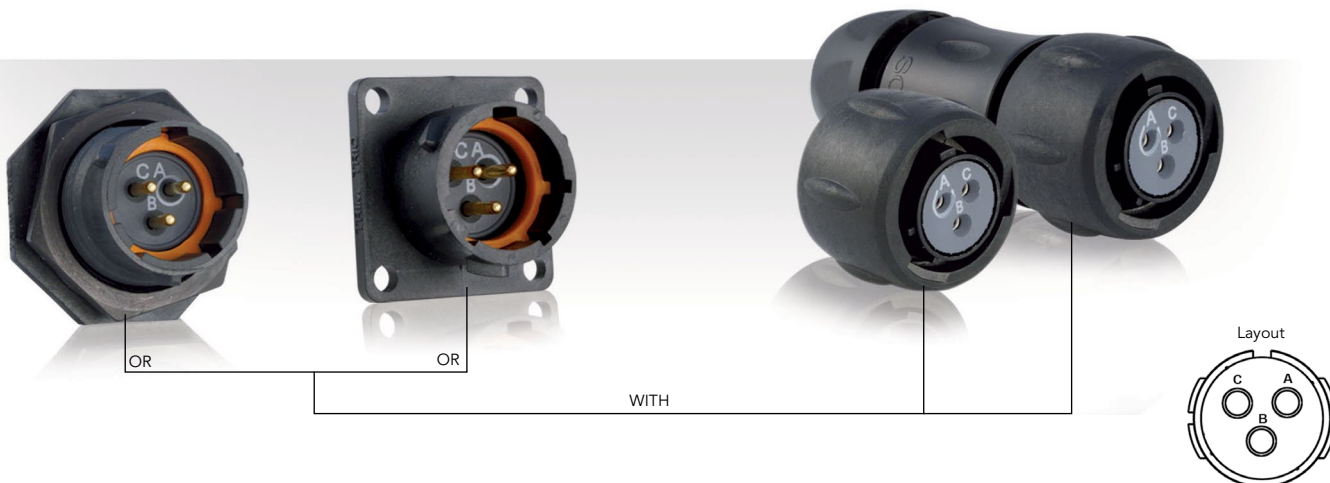
UL
7A 250V UL94 HB

CSA
7A 250V UL94 HB

IEC
7A 50V 1.5kV 3



12E3/12D3 (Shell size 12, 3x#16)



Connector Part Numbers

| Contact type | Connector type | Backshell | Part number | |
|--|--|----------------------|--------------------|--------------------|
| | | | Male insert | Female insert |
| Hand solder electrical contacts loaded see page 51 | Square flange receptacle | Without (Fig. 6) | UTS012E3P | UTS012E3S |
| | Plug | Without (Fig. 1) | UTS612E3P | UTS612E3S |
| | | Cable gland (Fig. 2) | UTS6JC12E3P | UTS6JC12E3S |
| | Jam nut receptacle | Without (Fig. 3) | UTS712E3P | UTS712E3S |
| PCB contacts loaded see page 51 | Square flange receptacle | Without (Fig. 7) | UTS012D3P | UTS012D3S |
| | Jam nut receptacle with stand off and with hold down clips | Without (Fig. 5) | UTS712D3P32 | UTS712D3S32 |
| | Jam nut receptacle with stand off and without hold down clip | Without (Fig. 4) | UTS712D3P | UTS712D3S |

Possibilities of discrimination/keying methods see page 208

Sealed unmatod

Overmoulded Cable Assembly Part Numbers

| Overmoulding type | Connector type | Wire size (mm ²) | Harmonized cable part number ⁽¹⁾ | Part number (length: 1m.)* | |
|--------------------|----------------|------------------------------|---|----------------------------|--------------------------|
| | | | | Male plug | Female plug |
| Straight ending | Plug | 1.5 | H05 VV - F 3x1.5 | HAUTS0V12E3PST100 | HAUTS0V12E3SST100 |
| Right angle ending | Plug | 1.5 | H05 VV - F 3x1.5 | HAUTS0V12E3PRA100 | HAUTS0V12E3SRA100 |

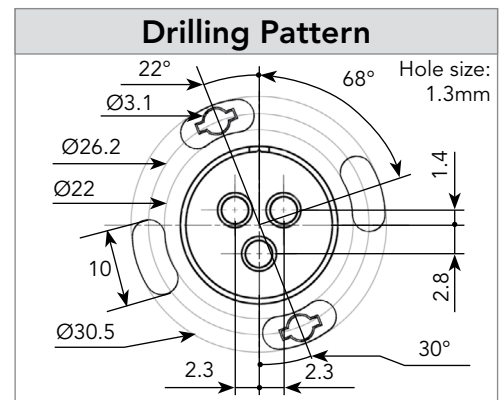
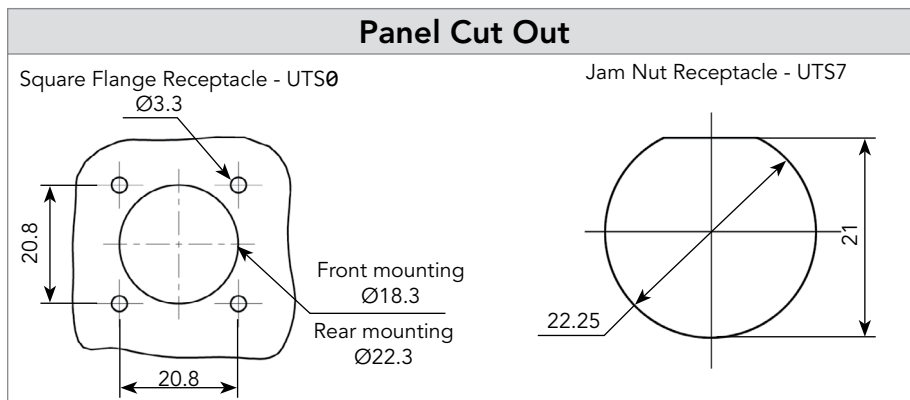
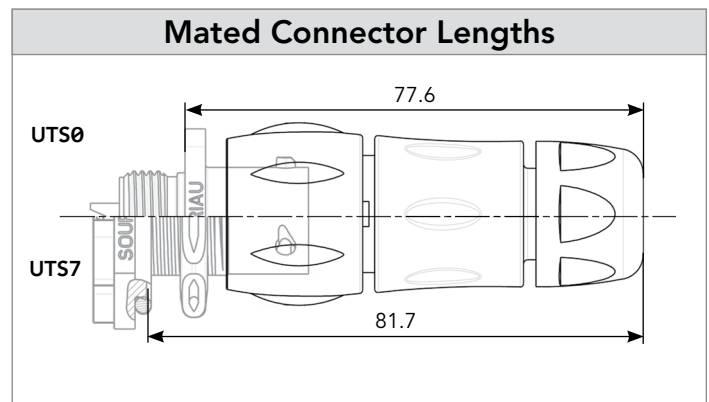
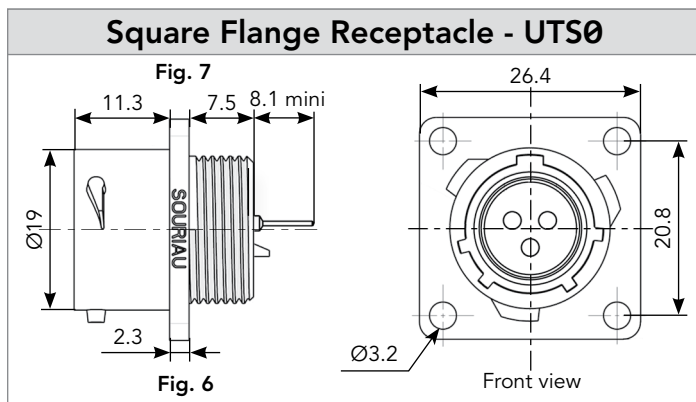
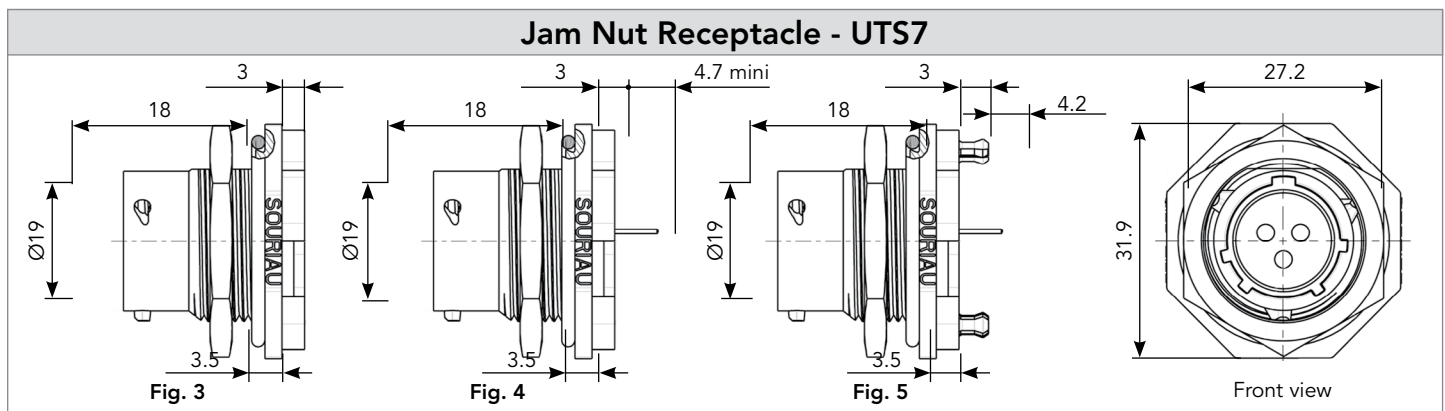
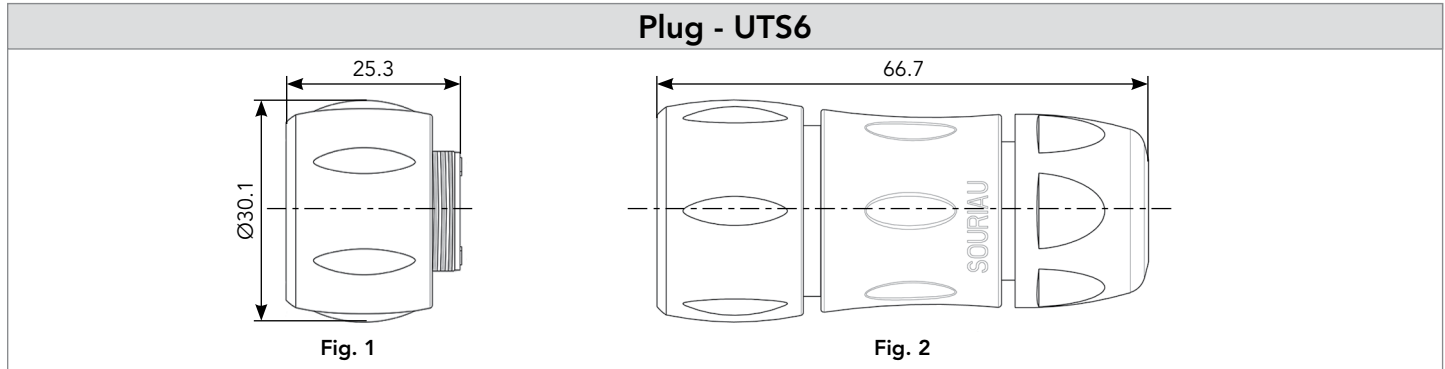
(1) Other cable available on demand

* Other lengths available on demand

12E3/12D3 (Shell size 12, 3x#16)

Dimensions

3



Note: Overmoulded cable assembly dimensions available page 179.

Note: all dimensions are in mm

12E3/12D3 (Shell size 12, 3x#16)

Accessories

Jam Nut Sealing Caps



IP68/69K

| Part number |
|-------------|
| UTS12DCG |



IP68/69K Metal terminal

| Part number |
|-------------|
| UTS12DCGR |

Plug Sealing Cap



IP68/69K

| Part number |
|-------------|
| UTS612DCG |

Square Flange Sealing Cap



IP68/69K Metal terminal


| Part number |
|-------------|
| UTS12DCGE |

Plastic Protective Cap




| Part numbers | |
|----------------|----------|
| Receptacle cap | Plug cap |
| 85005587A | 85005596 |


Gasket




| Part numbers |
|--------------|
| UTFD13B |

Color Coding Rings

G for Green 

Y for Yellow 

R for Red 

| Part numbers | |
|--------------|------------|
| Receptacles | Plugs |
| UTS712CCRR | UTS612CCRR |
| UTS712CCRY | UTS612CCRY |
| UTS712CCRG | UTS612CCRG |

12E3/12D3 (Shell size 12, 3x#16)

Contacts

| #16 | Contact type | Plating | Cable acceptance (AWG) | Wire stripping length |
|-------------|-------------------------|----------------------------|------------------------|-----------------------|
| Hand solder | Loaded in the connector | Min 0.4μ gold over 0.8μ Ni | 18 to 14 | 5 mm |
| PCB | Machined ⁽¹⁾ | Min 0.4μ gold over 0.8μ Ni | - | - |

(1): For dimensions see page 169

3

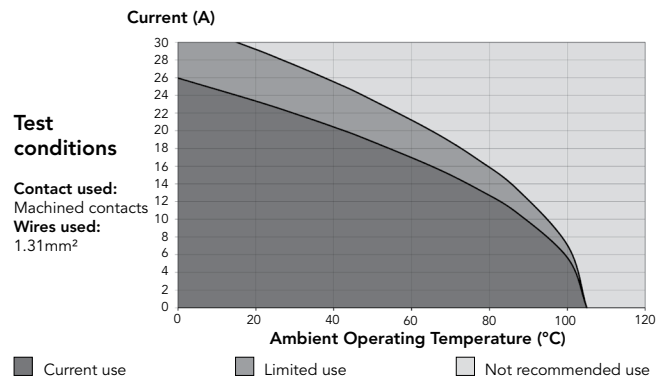
Electrical Characteristics

UL
13A 600V UL94 HB

CSA
13A 600V UL94 HB

IEC
16A 150V 2.5kV 3

UTS 12E3/12D3 Derating Curves



124 - 12E4/12D4 (Shell size 12, 3 + ground, 4x#16)



Connector Part Numbers

| Contact type | Connector type | Backshell | Part number | |
|--|--|-----------------------|----------------------|----------------------|
| | | | Male insert | Female insert |
| Crimp contacts supplied separately see page 55 | Square flange receptacle | Without (Fig. 1) | UTS0124P | - |
| | Jam nut receptacle | Without (Fig. 4) | UTS7124P | UTS7124S |
| | Free hanging receptacle | Cable gland (Fig. 12) | UTS1JC124P | UTS1JC124S |
| | Plug | Without (Fig. 10) | UTS6124P | UTS6124S |
| Cable gland (Fig. 11) | | UTS6JC124P | UTS6JC124S | |
| Screw contacts loaded | Jam nut receptacle | Without (Fig. 6 & 7) | UTS7124PSCR | UTS7124SSCR |
| | Plug | Without (Fig. 10) | UTS6124PSCR | UTS6124SSCR |
| | | Cable gland (Fig. 11) | UTS6JC124PSCR | UTS6JC124SSCR |
| Free hanging receptacle | Cable gland (Fig. 9) | UTS1JC124PSCR | - | |
| PCB contacts supplied separately see page 55 | Square flange receptacle | Without (Fig. 3) | UTS0124P | - |
| | Jam nut receptacle | Without (Fig. 5) | UTS7124P | UTS7124S |
| Hand solder electrical contacts loaded see page 55 | Square flange receptacle | Without (Fig. 2) | UTS012E4P | UTS012E4S |
| | Jam nut receptacle | Without (Fig. 9) | UTS712E4P | UTS712E4S |
| | Plug | Without (Fig. 10) | UTS612E4P | UTS612E4S |
| | Plug | Cable gland (Fig. 11) | UTS6JC12E4P | UTS6JC12E4S |
| PCB contacts loaded | Square flange receptacle | Without (Fig. 3) | UTS012D4P | UTS012D4S |
| | Jam nut receptacle with stand off and without hold down clip | Without (Fig.8) | UTS712D4P | UTS712D4S |
| | Jam nut receptacle with stand off and with hold down clips | Without (Fig. 9) | UTS712D4P32 | UTS712D4S32 |

Sealed unmatod

Overmoulded Cable Assembly Part Numbers

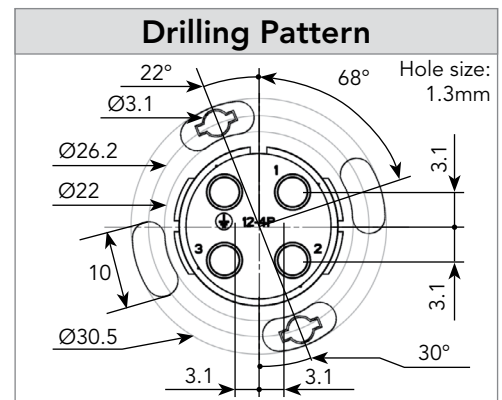
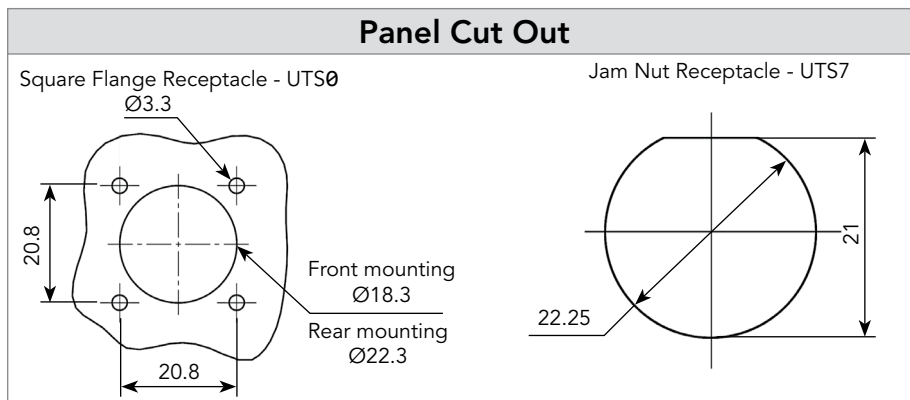
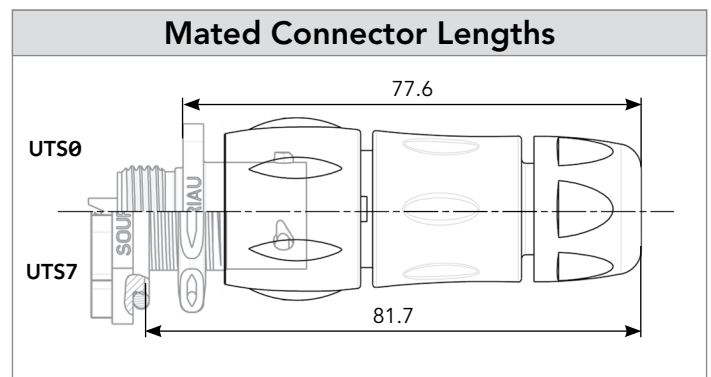
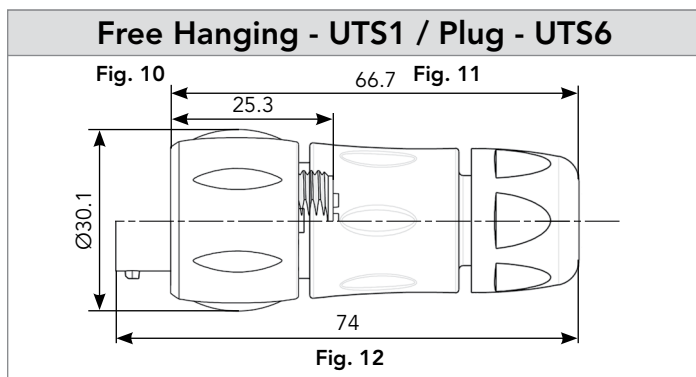
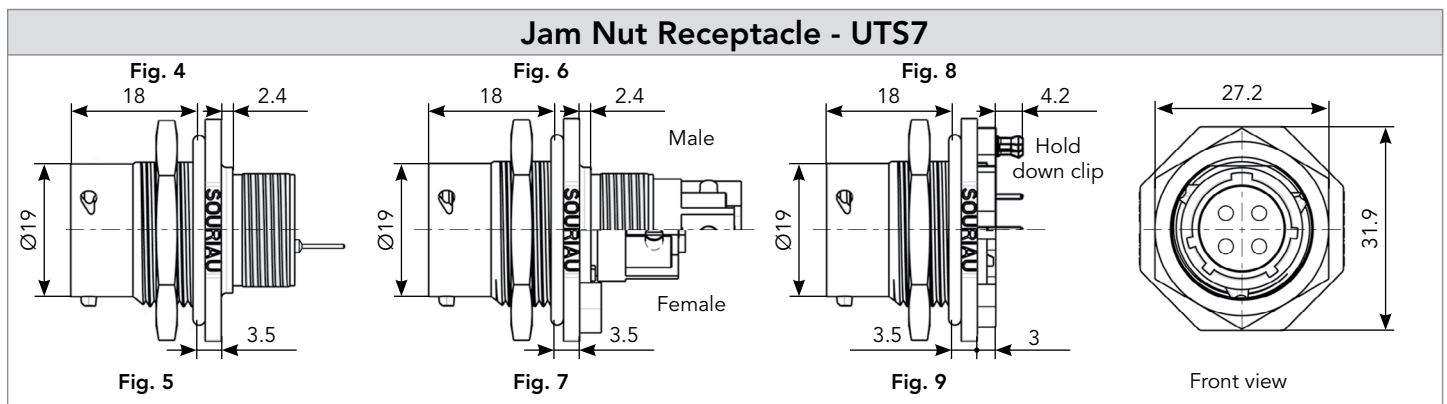
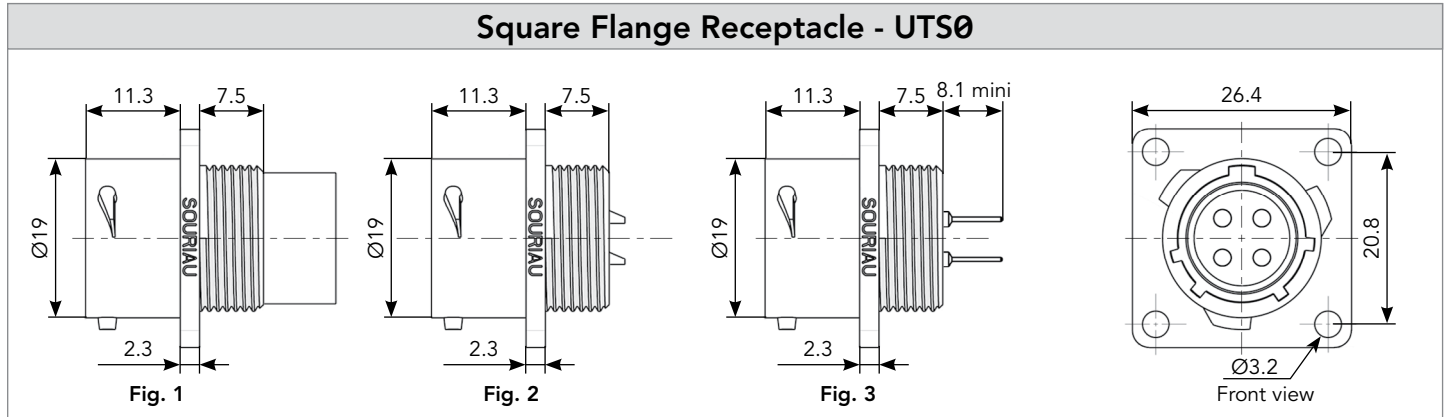
| Overmoulding type | Connector type | Wire size (mm ²) | Harmonized cable part number ⁽¹⁾ | Part number (length: 1m.)* | |
|--------------------|----------------|------------------------------|---|----------------------------|--------------------------|
| | | | | Male plug | Female plug |
| Straight ending | Plug | 1.5 | H05 VV - F 4x1.5 | HAUTS0V124PST100 | HAUTS0V124SST100 |
| | | | | HAUTS0V12E4PST100 | HAUTS0V12E4SST100 |
| Right angle ending | Plug | 1.5 | H05 VV - F 4x1.5 | HAUTS0V124PRA100 | HAUTS0V124SRA100 |
| | | | | HAUTS0V12E4PRA100 | HAUTS0V12E4SRA100 |

(1) Other cable available on demand

* Other lengths available on demand

124 - 12E4/12D4 (Shell size 12, 3 + ground, 4x#16)

Dimensions



Note: Overmoulded cable assembly dimensions available page 179.

Note: all dimensions are in mm

124 - 12E4/12D4 (Shell size 12, 3 + ground, 4x#16)

Accessories and Tooling

Jam Nut Sealing Caps



IP68/69K

| |
|-------------|
| Part number |
| UTS12DCG |



IP68/69K Metal terminal


| |
|-------------|
| Part number |
| UTS12DCGR |

Handle (without Head)



| |
|-------------|
| Part number |
| SHANDLES |

Tool Kit



| |
|-------------|
| Part number |
| TOOLKIT |

Plug Sealing Cap



IP68/69K

| |
|-------------|
| Part number |
| UTS612DCG |


Square Flange Sealing Cap



IP68/69K Metal terminal

| |
|-------------|
| Part number |
| UTS12DCGE |

Crimp Tooling (without Shandles)



| Contacts | Contact size | Part number of head | |
|--------------------------------|-------------------------------------|---------------------|--|
| RM/RC 28M1K ⁽¹⁾ | Standard contacts #16 Ø 1.6mm | S16RCM20* | |
| RM/RC 24M9K ⁽¹⁾ | | S16RCM20* | |
| RM/RC 20M13K ⁽¹⁾ | | S16RCM20* | |
| RM/RC 20M12K ⁽¹⁾ | | S16RCM20* | |
| RM/RC 16M23K ⁽¹⁾ | | S16RCM16* | |
| RM/RC 14M30K ⁽¹⁾ | | S16RCM14* | |
| SM/SC 24ML1TK6 ⁽¹⁾ | | S16SCM20* | |
| SM/SC 20ML1TK6 ⁽¹⁾ | | S16SCM20* | |
| SM/SC 16ML1TK6 ⁽¹⁾ | | S16SCML1* | |
| SM/SC 14ML1TK6 ⁽¹⁾ | | S16SCML1* | |
| SM/SC 16ML11TK6 ⁽¹⁾ | | S16SCML11* | |
| RMDXK10D28K | | Coaxial contacts | M10S1J with die set & stop bushing see page 200 to 204 |
| RCDXK1D28K | | | |
| RM/RC DX60xxD28K | | | |
| RM/RC DXK10D28 + yorK090 | | | |
| RM/RC DX60xxD28 | | | |


(1): Example of plating, for other plating options see page 164
* Heads to be used with handle PN: SHANDLES

Plastic Protective Cap




| Part numbers | |
|----------------|----------|
| Receptacle cap | Plug cap |
| 85005587A | 85005596 |


Gasket




| |
|--------------|
| Part numbers |
| UTFD13B |

Color Coding Rings

G for Green 

Y for Yellow 

R for Red 

| Part numbers | |
|--------------|------------|
| Receptacles | Plugs |
| UTS712CCRR | UTS612CCRR |
| UTS712CCRY | UTS612CCRY |
| UTS712CCRG | UTS612CCRG |



124 - 12E4/12D4 (Shell size 12, 3 + ground, 4x#16)

Contacts

| #16 | Contact type | AWG | Part number | | Max wire Ø | Max insulator Ø |
|-------------|--|---------------------------------|------------------------------|------------------------------|------------|-----------------|
| | | | Male | Female | | |
| Crimp | Machined | 30-28 | RM28M1K ⁽¹⁾ | RC28M1K ⁽¹⁾ | 0.55 | 1.00 |
| | | 26-24 | RM24M9K ⁽¹⁾ | RC24M9K ⁽¹⁾ | 0.80 | 1.60 |
| | | 22-20 | RM20M13K ⁽¹⁾ | RC20M13K ⁽¹⁾ | 1.15 | 1.80 |
| | | 22-20 | RM20M12K ⁽¹⁾ | RC20M12K ⁽¹⁾ | 1.15 | 2.20 |
| | | 20-16 | RM16M23K ⁽¹⁾ | RC16M23K ⁽¹⁾ | 1.80 | 3.20 |
| | | 16-14 | RM14M30K ⁽¹⁾ | RC14M30K ⁽¹⁾ | 2.30 | 3.20 |
| | Stamped & Formed reeled contacts See note (2) for loose piece | 26-24 | SM24M1TK6 ⁽¹⁾⁽²⁾ | SC24M1TK6 ⁽¹⁾⁽²⁾ | - | 0.90-1.60 |
| | | 22-20 | SM20M1TK6 ⁽¹⁾⁽²⁾ | SC20M1TK6 ⁽¹⁾⁽²⁾ | - | 1.20-2.10 |
| | | 18-16 | SM16M1TK6 ⁽¹⁾⁽²⁾ | SC16M1TK6 ⁽¹⁾⁽²⁾ | - | 3.20 |
| | | 18-16 | SM16M11TK6 ⁽¹⁾⁽²⁾ | SC16M11TK6 ⁽¹⁾⁽²⁾ | - | 3.00 |
| 14 | | SM14M1TK6 ⁽¹⁾⁽²⁾ | SC14M1TK6 ⁽¹⁾⁽²⁾ | - | 3.20 | |
| PCB | Machined ⁽³⁾ | - | RM20M12E83K ⁽¹⁾ | RC20M12E84K ⁽¹⁾ | - | - |
| Coaxial | Cable Multipiece | see pages 167, 200 to 206 | RMDXK10D28 | RCDXK1D28 | - | - |
| | Cable Monocrimp | | RMDX60xxD28 | RCDX60xxD28 | - | - |
| | Twisted pair Multipiece | | RMDXK10D28 + york090 | RCDXK1D28 + york090 | - | - |
| | Twisted pair Monocrimp | | RMDX60xxD28 | RCDX60xxD28 | - | - |
| Fiber optic | POF contacts (Plastic Optical Fiber) | - | RMPOF1000 | RCPOF1000B | - | - |
| Hand-solder | Loaded in the connector | 14-18 | - | - | - | - |



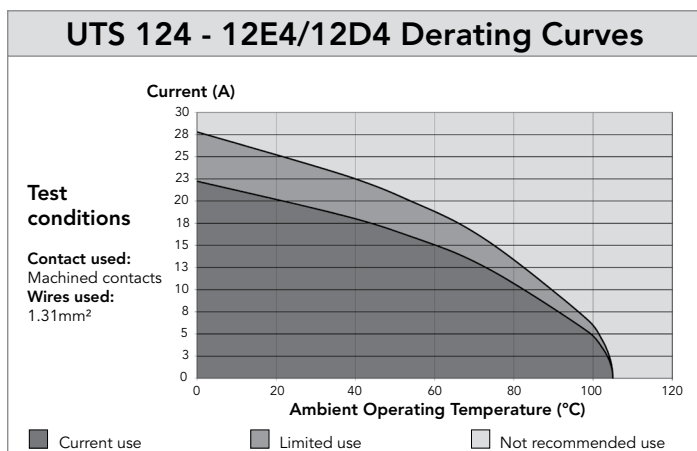
(1): Example of plating, for other plating see page 164 (2): Loose piece contact available if putting L. Example: SM20M1TK6 (3): For dimensions see page 168 Note: all dimensions are in mm

Electrical Characteristics

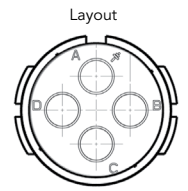
UL
10A 500V UL94 V-0

CSA
7A 500V UL94 V-0

IEC
16A 300V 4kV 3
Temperature elevation: 50°C



183G1 (Shell size 18, 3 + ground, 4x#8)

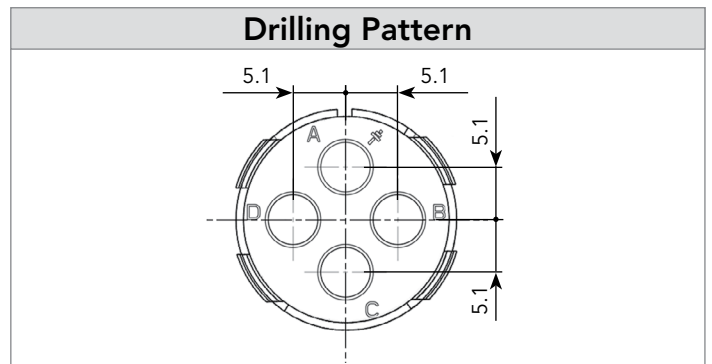
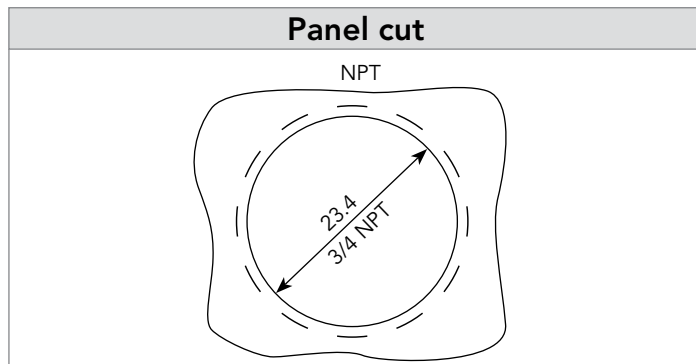
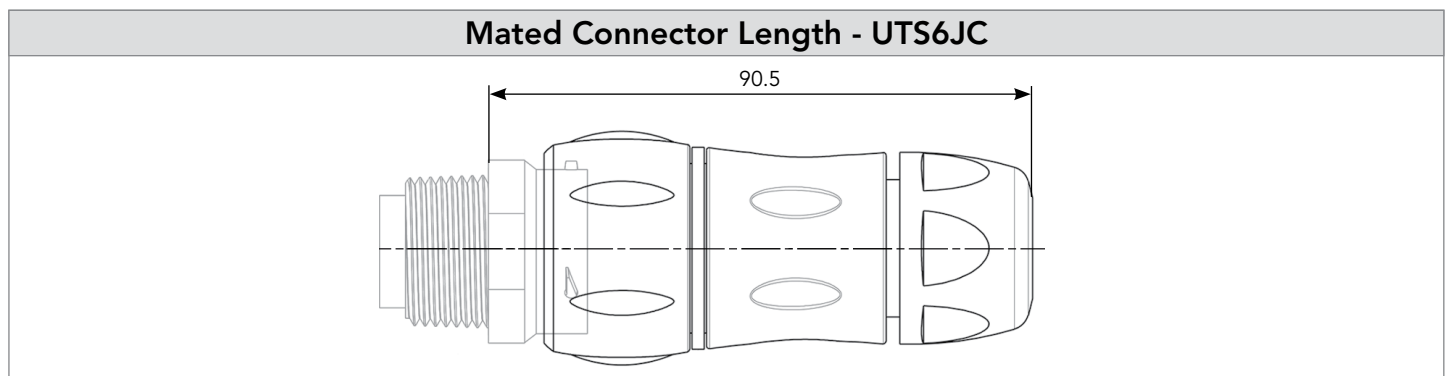
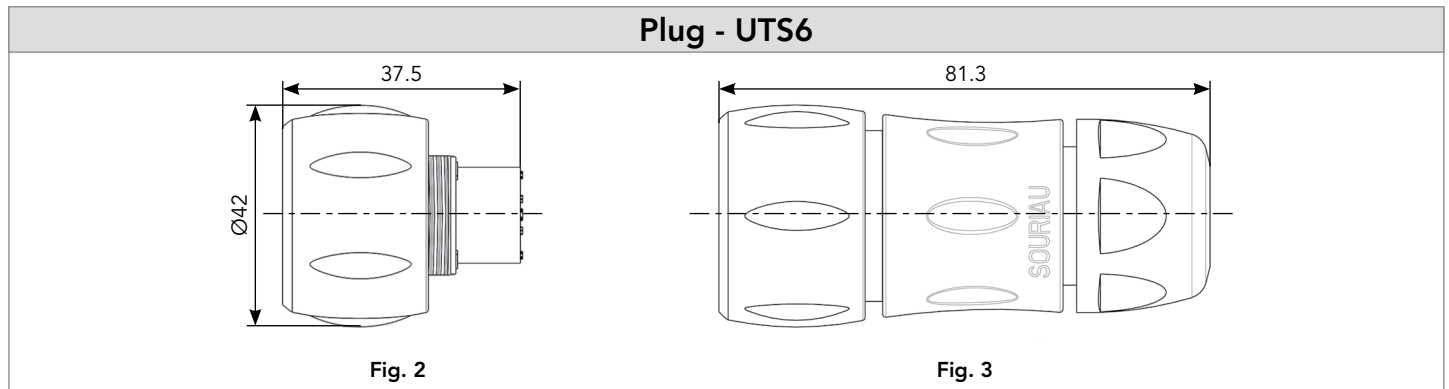
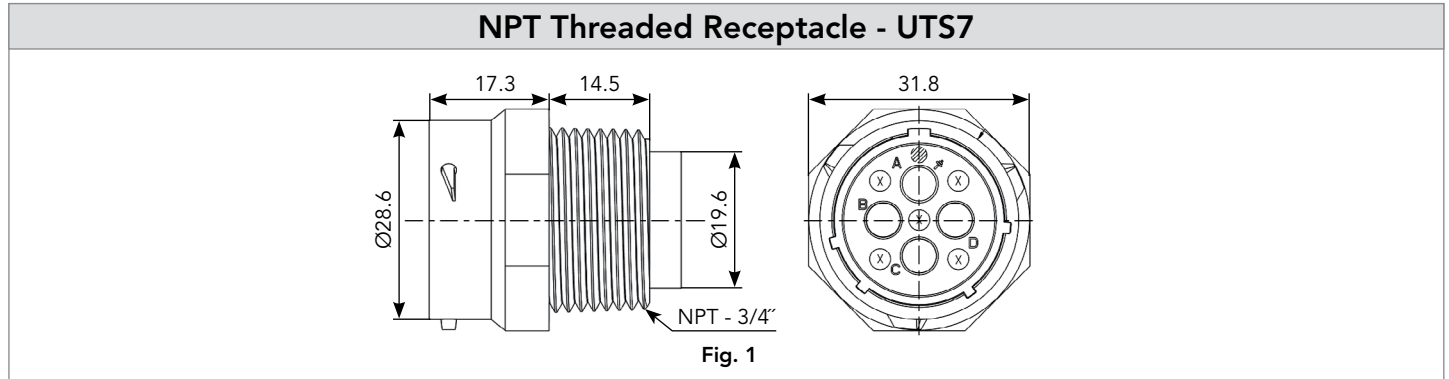


Connector Part Numbers

| Contact type | Connector type | Backshell | Part number | |
|--|-------------------------|----------------------|---------------------|----------------------|
| | | | Male insert | Female insert |
| Crimp contacts supplied separately see page 59 | NPT threaded receptacle | Without (Fig. 1) | - | UTS7183G1SNPT |
| | Plug | Without (Fig. 2) | UTS6183G1P | - |
| | Plug | Cable gland (Fig. 3) | UTS6JC183G1P | - |
| PCB contacts supplied separately see page 59 | NPT threaded receptacle | Without (Fig. 1) | - | UTS7183G1SNPT |
| | Plug | Without (Fig. 2) | UTS6183G1P | - |

183G1 (Shell size 18, 3 + ground, 4x#8)

Dimensions



Note: all dimensions are in mm

183G1 (Shell size 18, 3 + ground, 4x#8)

Accessories and Tooling

Jam Nut or NPT Threaded Receptacle Sealing Caps



IP68/69K

Part number
UTS18DCG



IP68/69K Metal terminal

Part number
UTS18DCGR

Plug Sealing Cap



IP68/69K

Part number
UTS618DCG

Plastic Protective Cap



Part numbers

| Receptacle cap | Plug cap |
|----------------|----------|
| 85005590A | 85005599 |

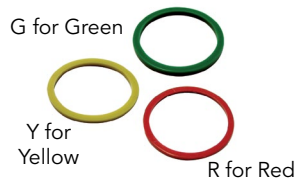
Gasket



Part numbers

UTFD16B

Color Coding Rings



Part numbers

| Receptacles | Plugs |
|-------------|------------|
| UTS718CCRR | UTS618CCRR |
| UTS718CCRY | UTS618CCRY |
| UTS718CCRG | UTS618CCRG |

Hand Tool



Part number
M317

Positioner + Locator Setting #8



Part number
VGE10078A

Extraction Tool #8



Part number
51060210936

183G1 (Shell size 18, 3 + ground, 4x#8)

Contacts

| #8 | Contact type | AWG | Part number | | Max wire Ø | Max insulator Ø |
|-------|-------------------------|-----|----------------------------|----------------------------|------------|-----------------|
| | | | Male | Female | | |
| Crimp | Machined | 16 | 82913601A ⁽¹⁾ | 82913600A ⁽¹⁾ | 1.72 mm | 6.5 mm |
| | | 14 | 82913603A ⁽¹⁾ | 82913602A ⁽¹⁾ | 2.22 mm | |
| | | 12 | 82913605A ⁽¹⁾ | 82913604A ⁽¹⁾ | 2.82 mm | |
| | | 10 | 82913607A ⁽¹⁾ | 82913606A ⁽¹⁾ | 3.50 mm | |
| | | 8 | 82913609A ⁽¹⁾ | 82913608A ⁽¹⁾ | 4.35 mm | |
| PCB | Machined ⁽²⁾ | - | 82911685NPC ⁽¹⁾ | 82911684NPC ⁽¹⁾ | - | - |

(1): Example of plating, for other plating see page 164
 (2): For dimensions see page 168

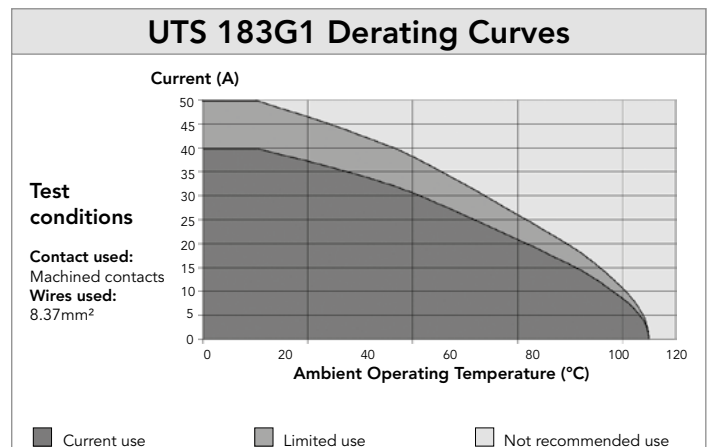


Electrical Characteristics

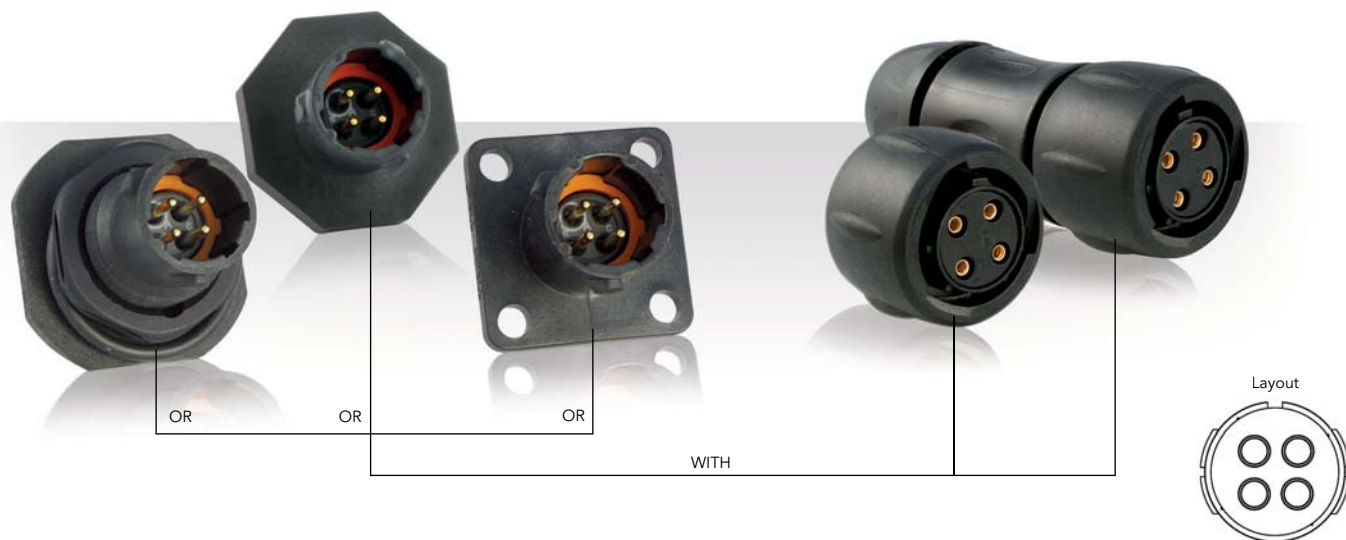
UL
44A 600V UL94 V-0

CSA
26A 600V UL94 V-0

IEC
32A 300V 4kV 3



8E4/8D4 (Shell size 8, 4x#20)



Connector Part Numbers

| Contact type | Connector type | Backshell | Part number | |
|--|--|----------------------|--------------------|--------------------|
| | | | Male insert | Female insert |
| Hand solder electrical contacts loaded see page 63 | Square flange receptacle | Without (Fig. 1) | UTS08E4P | UTS08E4S |
| | Plug | Without (Fig. 7) | UTS68E4P | UTS68E4S |
| | | Cable gland (Fig. 8) | UTS6JC8E4P | UTS6JC8E4S |
| | Jam nut receptacle | Without (Fig. 4) | UTS78E4P | UTS78E4S |
| | M12 threaded receptacle | Without (Fig. 3) | UTS78E4PM12 | UTS78E4SM12 |
| PCB contacts loaded see page 63 | Square flange receptacle | Without (Fig. 2) | UTS08D4P | UTS08D4S |
| | Jam nut receptacle with stand off and with hold down clips | Without (Fig. 6) | UTS78D4P32 | UTS78D4S32 |
| | Jam nut receptacle with stand off and without hold down clip | Without (Fig. 5) | UTS78D4P | UTS78D4S |

Possibilities of discrimination/keying methods see page 208

Sealed unmatd

Overmoulded Cable Assembly Part Numbers

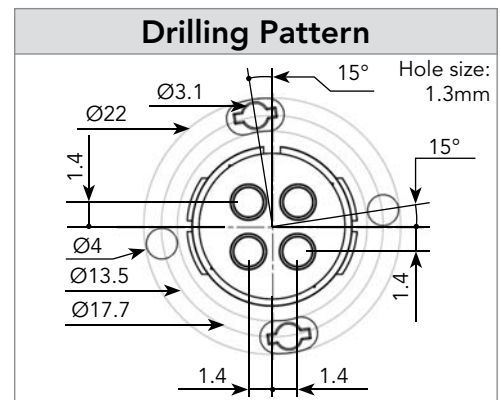
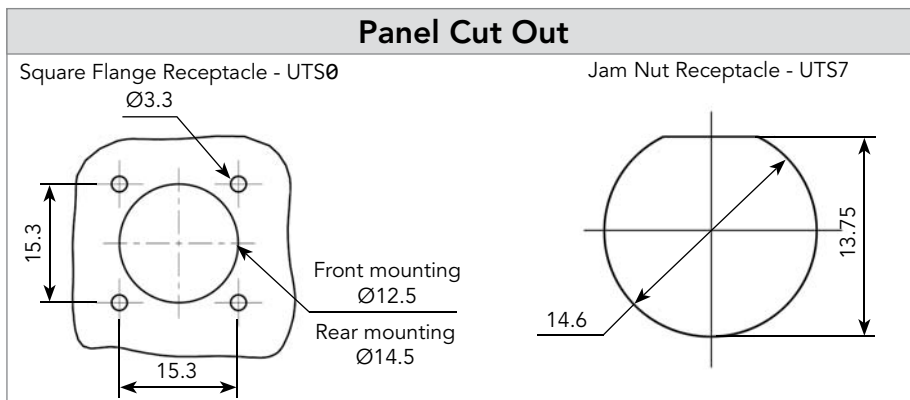
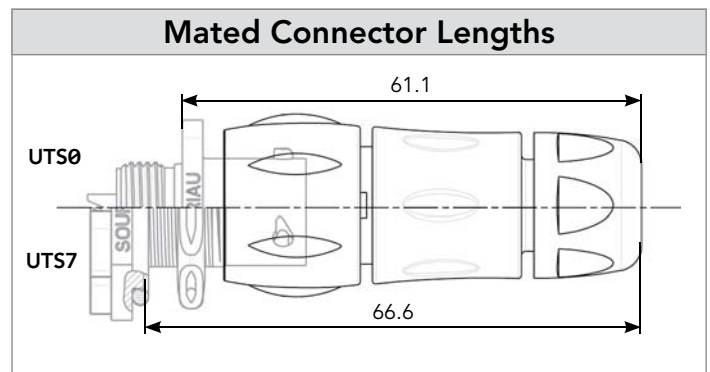
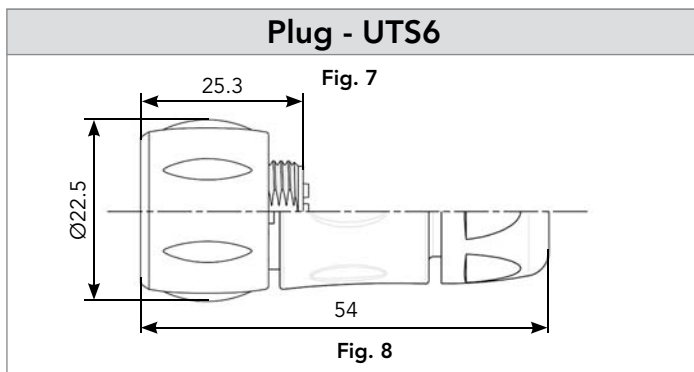
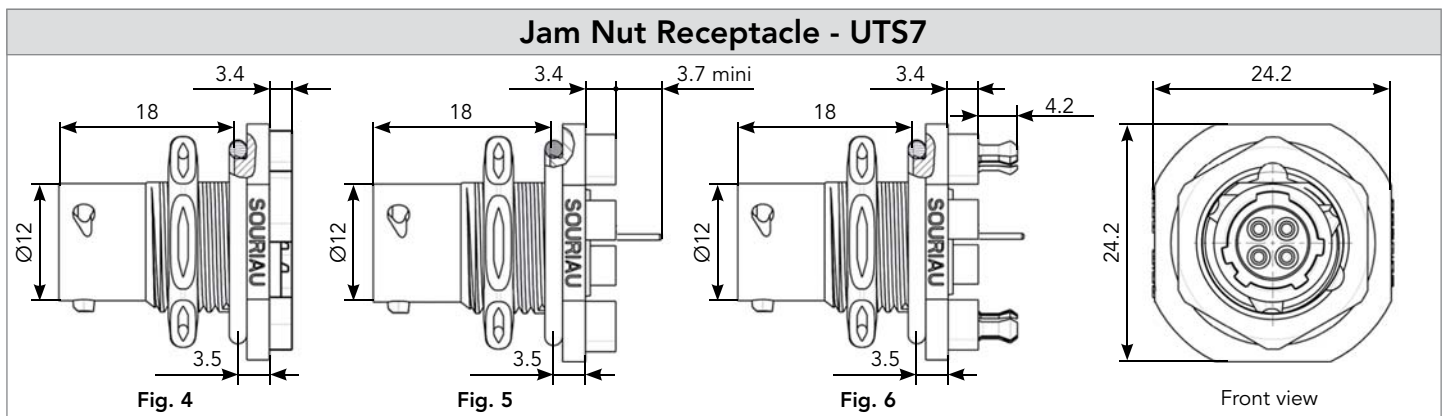
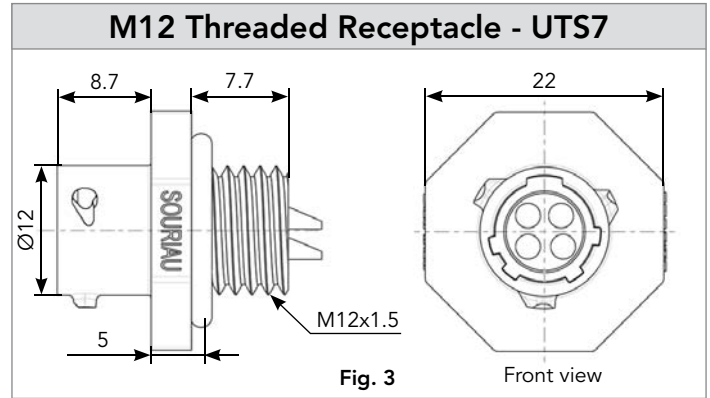
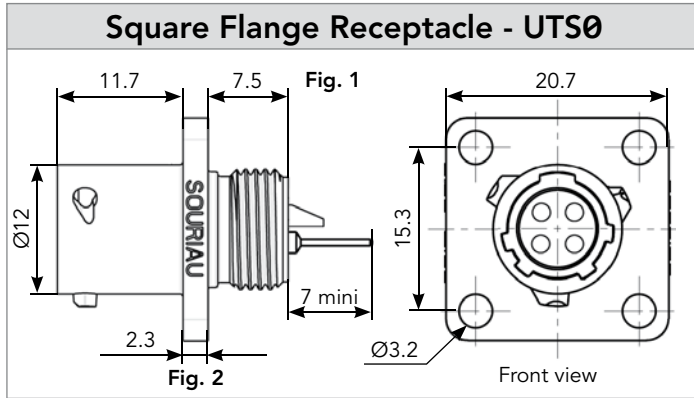
| Overmoulding type | Connector type | Wire size (mm ²) | Harmonized cable part number ⁽¹⁾ | Part number (length: 1m.)* | |
|--------------------|----------------|------------------------------|---|----------------------------|-------------------------|
| | | | | Male plug | Female plug |
| Straight ending | Plug | 1.5 | H05 VV - F 4x1.5 | HAUTS0V8E4PST100 | HAUTS0V8E4SST100 |
| Right angle ending | Plug | 1.5 | H05 VV - F 4x1.5 | HAUTS0V8E4PRA100 | HAUTS0V8E4SRA100 |

(1) Other cable available on demand

* Other lengths available on demand

8E4/8D4 (Shell size 8, 4x#20)

Dimensions



Note: Overmoulded cable assembly dimensions available page 179.

Note: all dimensions are in mm

8E4/8D4 (Shell size 8, 4x#20)

Accessories

Jam Nut Sealing Caps



IP68/69K

| Part number |
|-------------|
| UTS8DCG |



IP68/69K Metal terminal

| Part number |
|-------------|
| UTS8DCGR |

Square Flange Sealing Cap



IP68/69K Metal terminal

| Part number |
|-------------|
| UTS8DCGE |

Plug Protective Cap



IP40


| Part number |
|-------------|
| UTS68C |

Plastic Protective Cap



| Part numbers | |
|----------------|----------|
| Receptacle cap | Plug cap |
| 85005585A | 85005594 |


Gasket




| Part numbers |
|--------------|
| UTFD11B |

Color Coding Rings


G for Green



Y for Yellow



R for Red



| Part numbers | |
|--------------|-----------|
| Receptacles | Plugs |
| UTS78CCRR | UTS68CCRR |
| UTS78CCRY | UTS68CCRY |
| UTS78CCRG | UTS68CCRG |

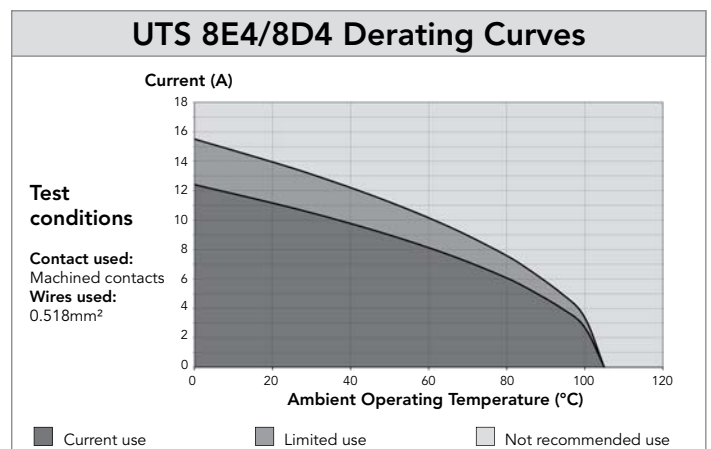
8E4/8D4 (Shell size 8, 4x#20)

Contacts

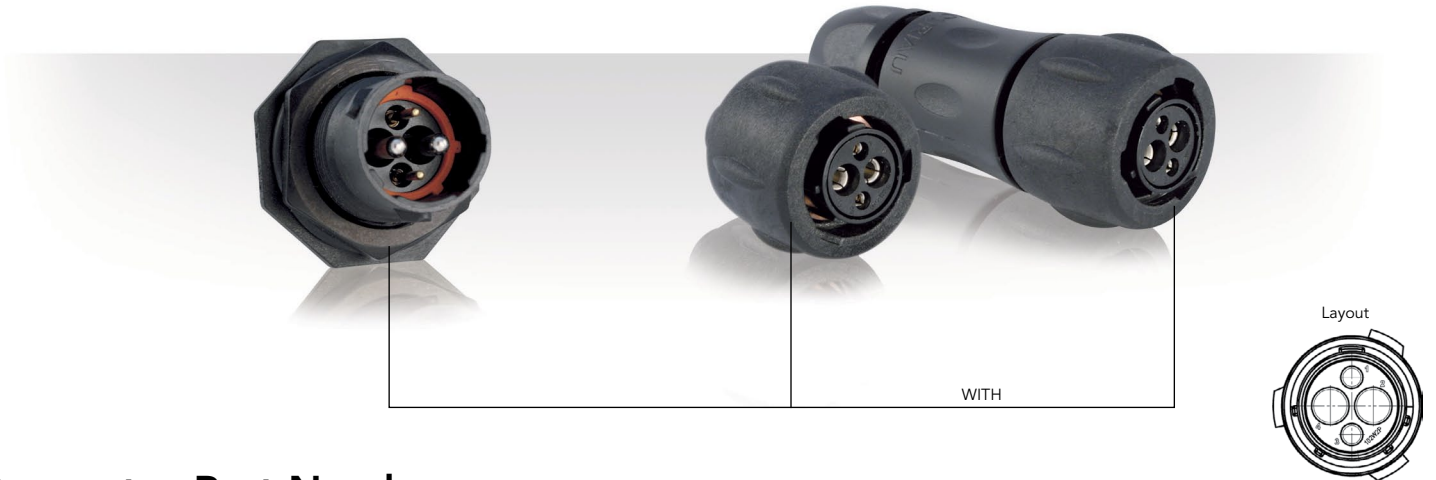
| #20 | Contact type | Plating | Cable acceptance (AWG) | Wire stripping length |
|-------------|-------------------------|----------------------------|------------------------|-----------------------|
| Hand solder | Loaded in the connector | Min 0.4μ gold over 0.8μ Ni | 22 to 18 | 5 mm |
| PCB | Machined ⁽¹⁾ | Min 0.4μ gold over 0.8μ Ni | - | - |

(1): For dimensions see page 169

| Electrical Characteristics |
|---|
| <p>UL 7A 250V UL94 HB</p> <p>CSA 7A 250V UL94 HB</p> <p>IEC 7A 32V 1.5kV 3</p> |



102W2 (Shell size 10, 2x#20, 2x12)



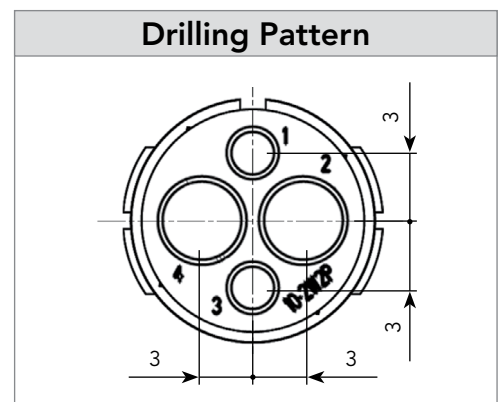
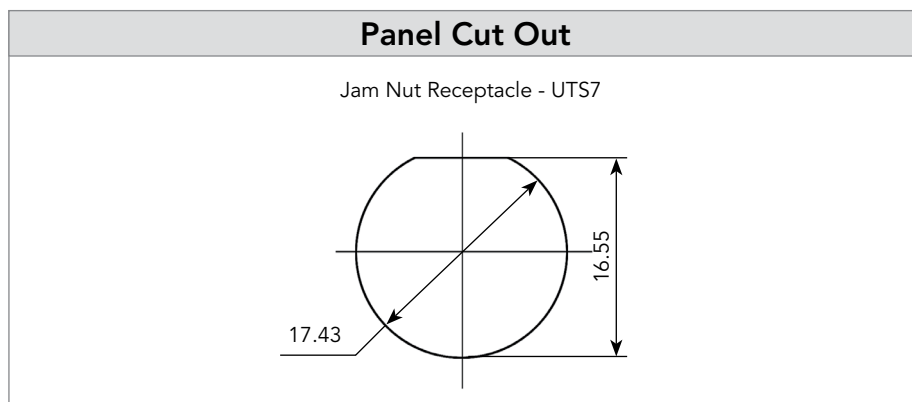
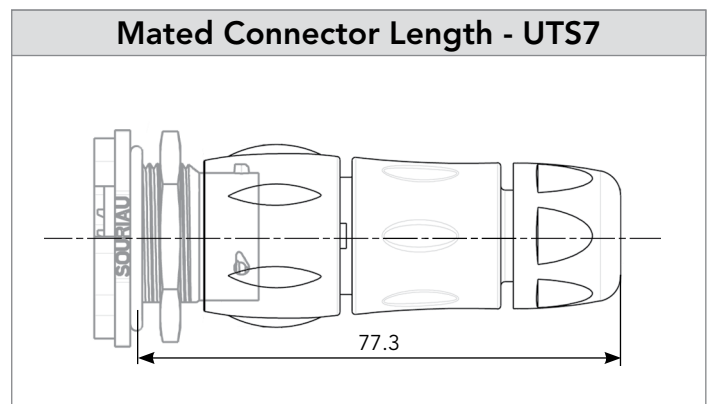
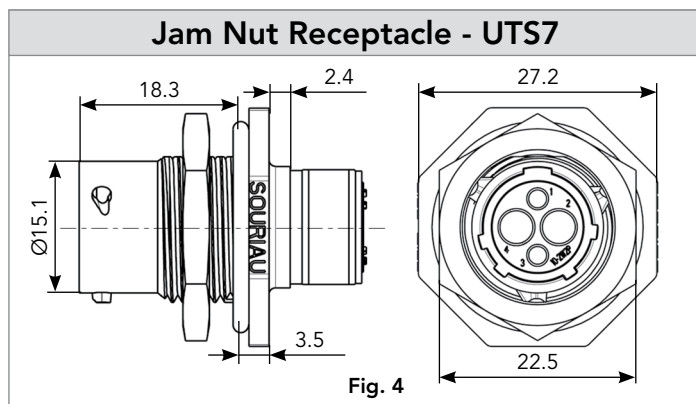
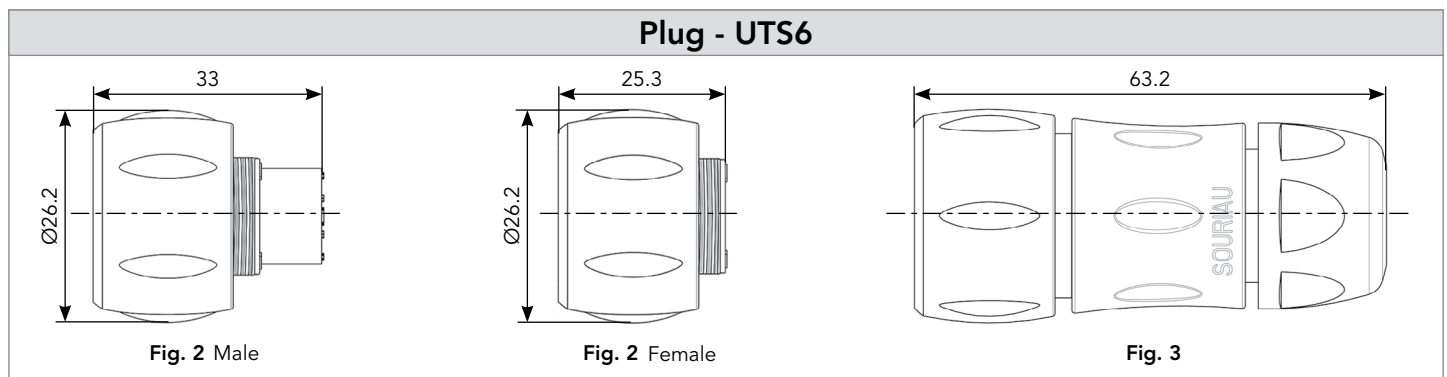
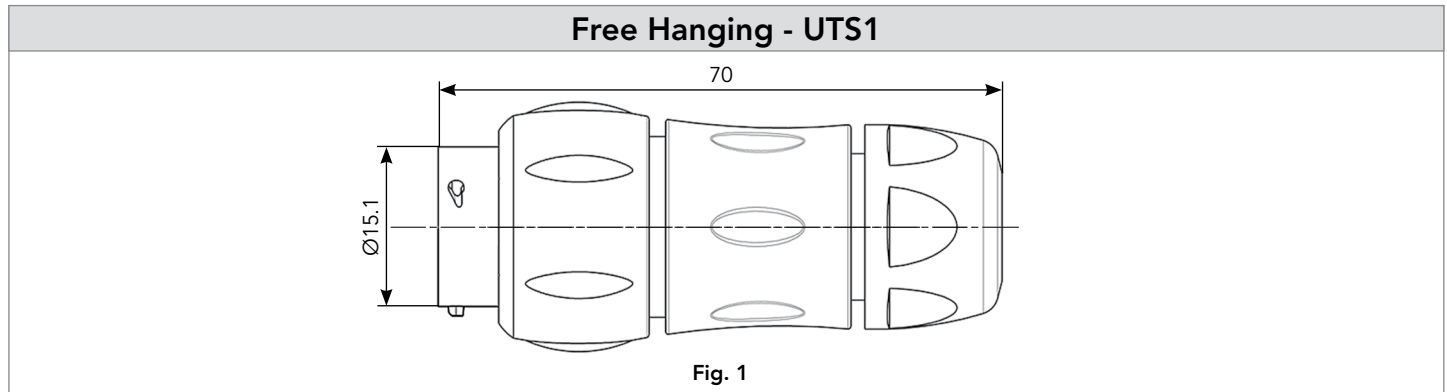
Connector Part Numbers

| Contact type | Connector type | Backshell | Part number | |
|--|-------------------------|----------------------|---------------------|---------------------|
| | | | Male insert | Female insert |
| Crimp contacts supplied separately see page 67 | Free hanging receptacle | Cable gland (Fig. 1) | UTS1JC102W2P | UTS1JC102W2S |
| | Plug | Without (Fig. 2) | UTS6102W2P | UTS6102W2S |
| | Plug | Cable gland (Fig. 3) | UTS6JC102W2P | UTS6JC102W2S |
| | Jam nut receptacle | Without (Fig. 4) | UTS7102W2P | UTS7102W2S |

102W2 (Shell size 10, 2x#20, 2x12)

Dimensions

4



Note: all dimensions are in mm

102W2 (Shell size 10, 2x#20, 2x12)

Accessories and Tooling

Jam Nut Sealing Caps



IP68/69K

| |
|-------------|
| Part number |
| UTS10DCG |



IP68/69K Metal terminal

| |
|-------------|
| Part number |
| UTS10DCGR |

Plug Sealing Cap



IP68/69K

| |
|-------------|
| Part number |
| UTS610DCG |

Extraction Tool #20




| |
|-------------|
| Part number |
| RX20D44 |

Plastic Protective Cap




| Part numbers | |
|----------------|----------|
| Receptacle cap | Plug cap |
| 85005586A | 85005595 |


Gasket




| |
|--------------|
| Part numbers |
| UTFD12B |

Color Coding Rings

G for Green 

Y for Yellow 

R for Red 

| Part numbers | |
|--------------|------------|
| Receptacles | Plugs |
| UTS710CCRR | UTS610CCRR |
| UTS710CCRY | UTS610CCRY |
| UTS710CCRG | UTS610CCRG |

Crimp Tooling #20



| |
|-------------|
| Part number |
| SHANDLES |



| |
|-------------|
| Part number |
| TOOLKIT |



| Contacts | Contact size | Part number of head |
|-------------------------------|-----------------------------------|---------------------|
| RM/RC 24W3K ⁽¹⁾ | Standard contacts #20 Ø 1mm | S20RCM* |
| RM/RC 20W3K ⁽¹⁾ | | S20RCM* |
| RM/RC 18W3K ⁽¹⁾ | | S20RCM* |
| SM/SC 24WL3 ⁽¹⁾⁽²⁾ | | S20SCM20* |
| SM/SC 20WL3 ⁽¹⁾⁽²⁾ | | S20SCM20* |

(1): Example of plating, for other plating options see page 156
 (2): loose contact
 * Heads to be used with handle PN: SHANDLES


+

=


Handle

Head

Complete set

Crimp Tooling #12



| |
|-----------------------|
| Part number hand tool |
| M317 |



| |
|--|
| Part number positioner + locator setting |
| VGE10078A |

Extraction Tool #12



| |
|-----------------------------|
| Part number extraction tool |
| 51060210924 |

102W2 (Shell size 10, 2x#20, 2x#12)

Contacts

| #20 | Contact type | AWG | Part number | | Max wire Ø | Max insulator Ø |
|-------|---|-------|-----------------------------|-----------------------------|------------|-----------------|
| | | | Male | Female | | |
| Crimp | Machined | 26-24 | RM24W3K | RC24W3K | 0.80 | 1.60 |
| | | 22-20 | RM20W3K | RC20W3K | 1.15 | 1.60 |
| | | 20-18 | RM18W3K | RC18W3K | 1.30 | 2.10 |
| | Stamped & Formed reeled contacts <small>See note (2) for loose piece</small> | 26-24 | SM24W3TK6 ⁽¹⁾⁽²⁾ | SC24W3TK6 ⁽¹⁾⁽²⁾ | - | 0.90-1.60 |
| | | 26-24 | SM24W3S26 ⁽¹⁾⁽²⁾ | SC24W3S25 ⁽¹⁾⁽²⁾ | - | 0.90-1.60 |
| | | 22-20 | SM20W3TK6 ⁽¹⁾⁽²⁾ | SC20W3TK6 ⁽¹⁾⁽²⁾ | - | 1.20-2.10 |
| | | 22-20 | SM20W3S26 ⁽¹⁾⁽²⁾ | SC20W3S25 ⁽¹⁾⁽²⁾ | - | 1.20-2.10 |
| #12 | | | | | | |
| Crimp | Machined | 22 | 82911457NA | 82911456A | 0.87 | 4.90 |
| | | 20 | 82911459NA | 82911458A | 1.12 | |
| | | 18 | 82911461NA | 82911460A | 1.42 | |
| | | 16 | 82911463NA | 82911462A | 1.72 | |
| | | 14 | 82911465NA | 82911464A | 2.22 | |
| | | 12 | 82911467NA | 82911466A | 2.82 | |

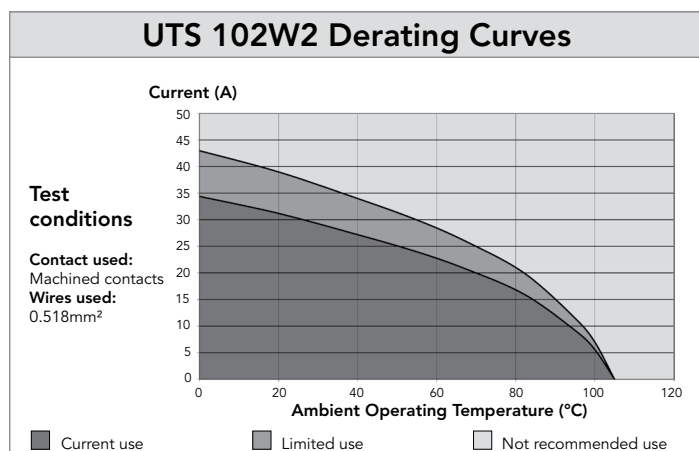
(1): Example of plating, for other plating see page 164

(2): Loose piece contact available if putting L. Example: SM20WL3TK6

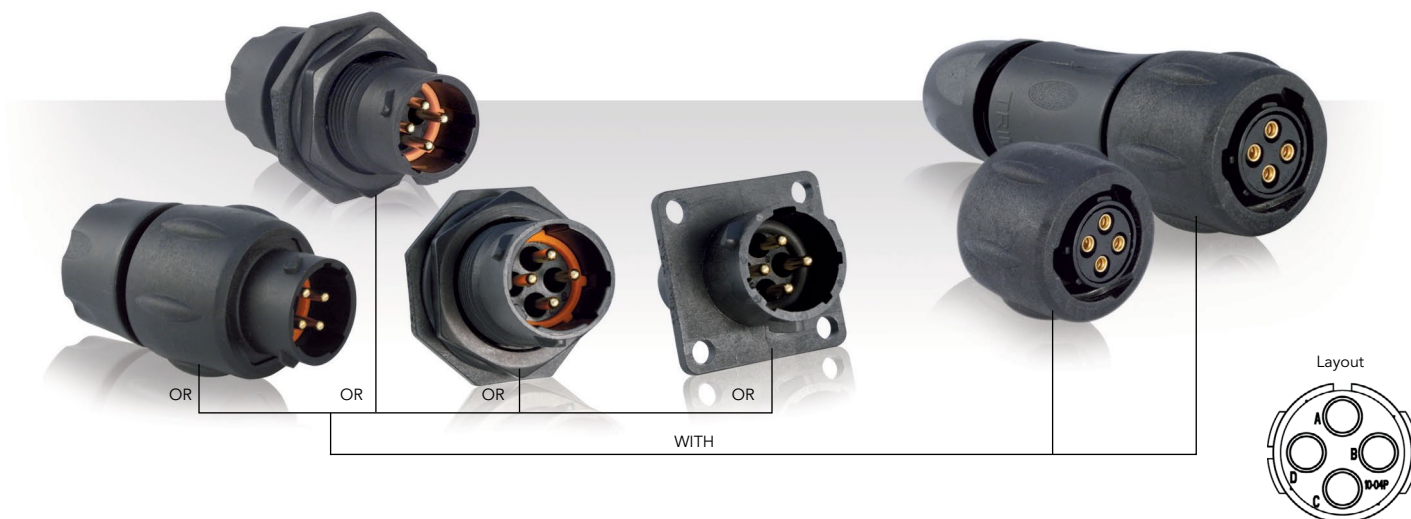
Note: all dimensions are in mm

4

| Electrical Characteristics |
|---|
| <p>UL 20A 500V UL94 V-0</p> <p>CSA 18A 500V UL94 V-0</p> <p>IEC 25A 150V 2.5kV 3 Temperature elevation: 50°C</p> |



104 (Shell size 10, 4x#16)



Connector Part Numbers

| Contact type | Connector type | Backshell | Part number | |
|--|--------------------------|----------------------------------|--------------------|--------------------|
| | | | Male insert | Female insert |
| Crimp Contact supplied separately see page 71 | Square flange receptacle | Without (Fig. 1) | UTS0104P | UTS0104S |
| | Free hanging receptacle | Cable gland and grommet (Fig. 2) | UTS1GJC104P | - |
| | Free hanging receptacle | Nut and grommet (Fig. 3) | UTS1GN104P | - |
| | Free hanging receptacle | Cable gland (Fig. 2) | UTS1JC104P | UTS1JC104S |
| | Plug | Without (Fig. 4) | UTS6104P | UTS6104S |
| | Plug | Cable gland and grommet (Fig. 5) | - | UTS6GJC104S |
| | Plug | Nut and grommet (Fig. 6) | - | UTS6GN104S |
| | Plug | Cable gland (Fig. 5) | UTS6JC104P | UTS6JC104S |
| | Jam nut receptacle | Without (Fig. 7) | UTS7104P | UTS7104S |
| | Jam nut receptacle | Cable gland and grommet (Fig. 9) | UTS7GJC104P | - |
| Jam nut receptacle | Nut and grommet (Fig. 8) | UTS7GN104P | - | |
| PCB contacts supplied separately see page 71 | Jam nut receptacle | Without (Fig. 7) | UTS7104P | UTS7104S |

Possibilities of discrimination/keying methods see page 208

Overmoulded Cable Assembly Part Numbers

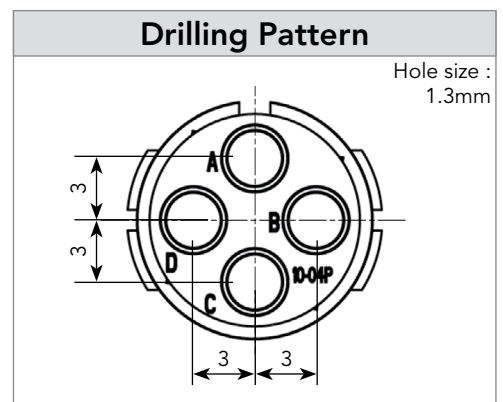
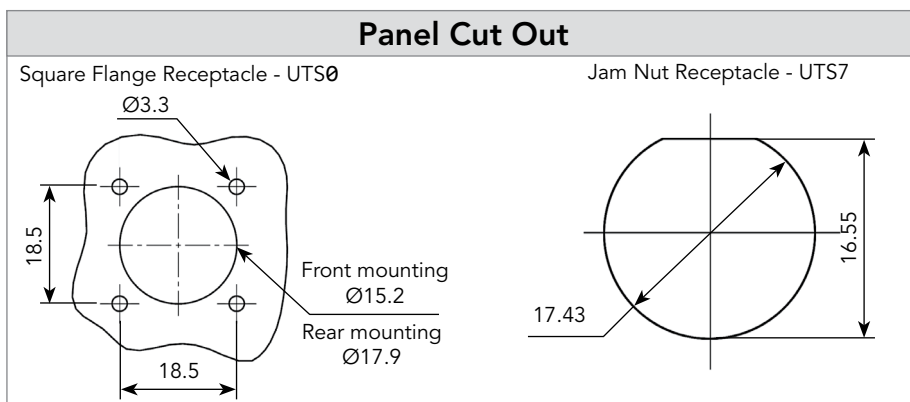
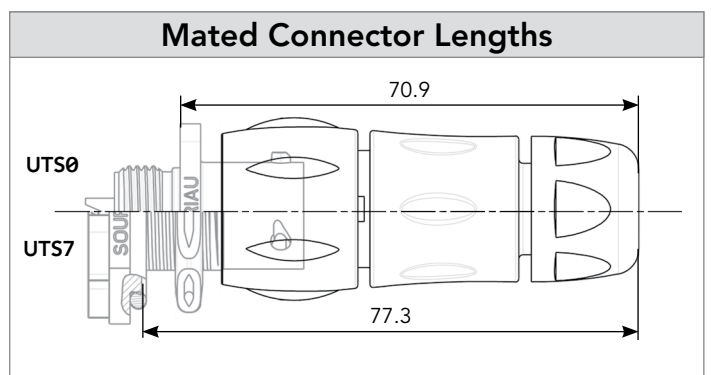
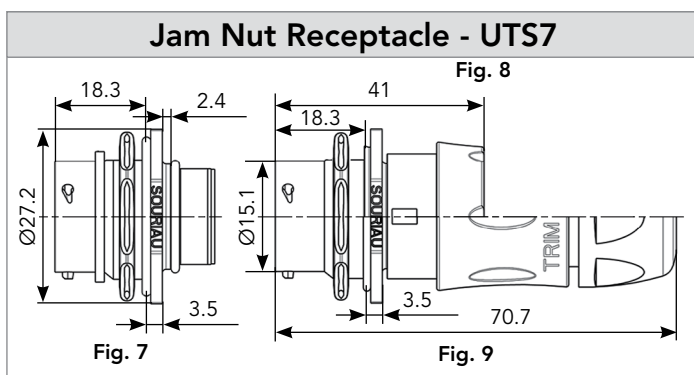
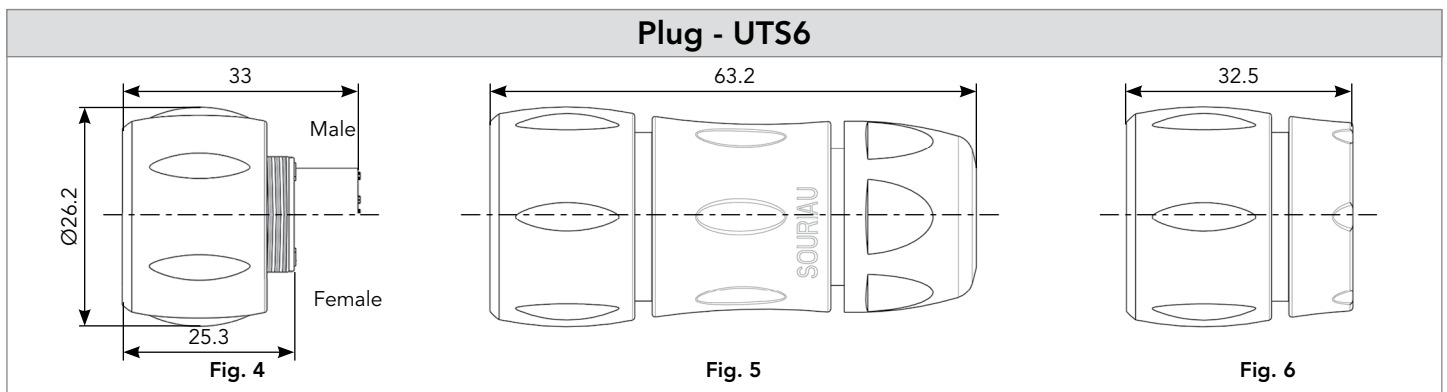
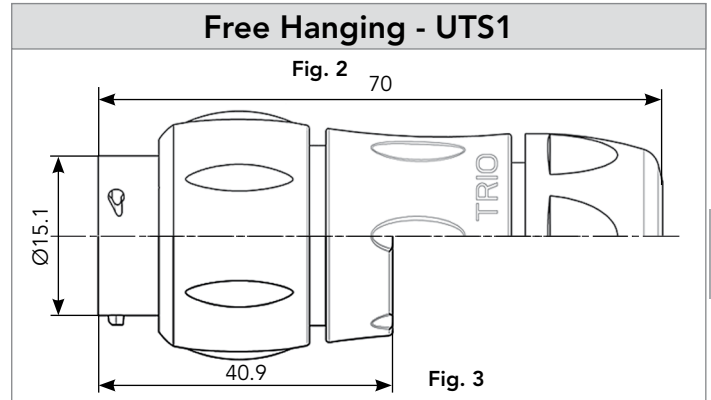
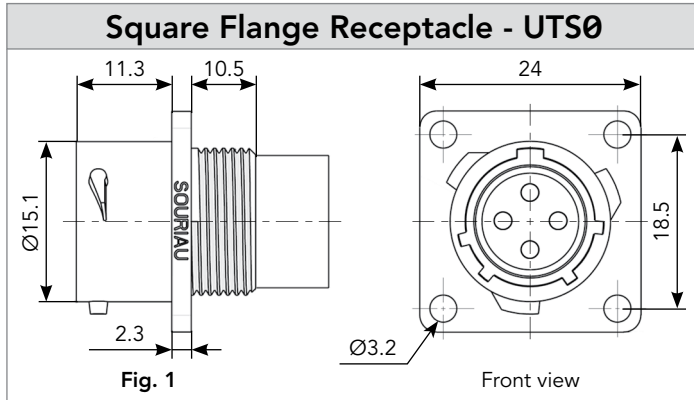
| Overmoulding type | Connector type | Wire size (mm ²) | Harmonized cable part number ⁽¹⁾ | Part number (length: 1m.)* | |
|--------------------|----------------|------------------------------|---|----------------------------|-------------------------|
| | | | | Male plug | Female plug |
| Straight ending | Plug | 1.5 | H05 VV - F 4x1.5 | HAUTS0V104PST100 | HAUTS0V104SST100 |
| Right angle ending | Plug | 1.5 | H05 VV - F 4x1.5 | HAUTS0V104PRA100 | HAUTS0V104SRA100 |

(1) Other cable available on demand

* Other lengths available on demand

104 (Shell size 10, 4x#16)

Dimensions



Note: Overmoulded cable assembly dimensions available page 179.

Note: all dimensions are in mm

104 (Shell size 10, 4x#16)

Accessories and Tooling

Jam Nut Sealing Caps



IP68/69K

| |
|-------------|
| Part number |
| UTS10DCG |



IP68/69K Metal terminal


| |
|-------------|
| Part number |
| UTS10DCGR |

Handle (without Head)



| |
|-------------|
| Part number |
| SHANDLES |

Tool Kit



| |
|-------------|
| Part number |
| TOOLKIT |

Plug Sealing Cap



IP68/69K

| |
|-------------|
| Part number |
| UTS610DCG |


Square Flange Sealing Cap



IP68/69K Metal terminal

| |
|-------------|
| Part number |
| UTS10DCGE |

Crimp Tooling (without Shandles)



| Contacts | Contact size | Part number of head | |
|--------------------------------|-------------------------------------|---------------------|---|
| RM/RC 28M1K ⁽¹⁾ | Standard contacts #16 Ø 1.6mm | S16RCM20* | |
| RM/RC 24M9K ⁽¹⁾ | | S16RCM20* | |
| RM/RC 20M13K ⁽¹⁾ | | S16RCM20* | |
| RM/RC 20M12K ⁽¹⁾ | | S16RCM20* | |
| RM/RC 16M23K ⁽¹⁾ | | S16RCM16* | |
| RM/RC 14M30K ⁽¹⁾ | | S16RCM14* | |
| SM/SC 24ML1TK6 ⁽¹⁾ | | S16SCM20* | |
| SM/SC 20ML1TK6 ⁽¹⁾ | | S16SCM20* | |
| SM/SC 16ML1TK6 ⁽¹⁾ | | S16SCML1* | |
| SM/SC 14ML1TK6 ⁽¹⁾ | | S16SCML1* | |
| SM/SC 16ML11TK6 ⁽¹⁾ | | S16SCML11* | |
| RMDXK10D28K | | Coaxial contacts | M10S1J with die set & stop bushing see page 200 to 204 |
| RCDXK1D28K | | | |
| RM/RC DX60xxD28K | | | |
| RM/RC DXK10D28 + york090 | | | |
| RM/RC DX60xxD28 | | | |


(1): Example of plating, for other plating options see page 164
* Heads to be used with handle PN: SHANDLES

Plastic Protective Cap




| Part numbers | |
|----------------|----------|
| Receptacle cap | Plug cap |
| 85005586A | 85005595 |


Gasket




| |
|--------------|
| Part numbers |
| UTFD12B |

Color Coding Rings

G for Green 

Y for Yellow 

R for Red 

| Part numbers | |
|--------------|------------|
| Receptacles | Plugs |
| UTS710CCRR | UTS610CCRR |
| UTS710CCRY | UTS610CCRY |
| UTS710CCRG | UTS610CCRG |



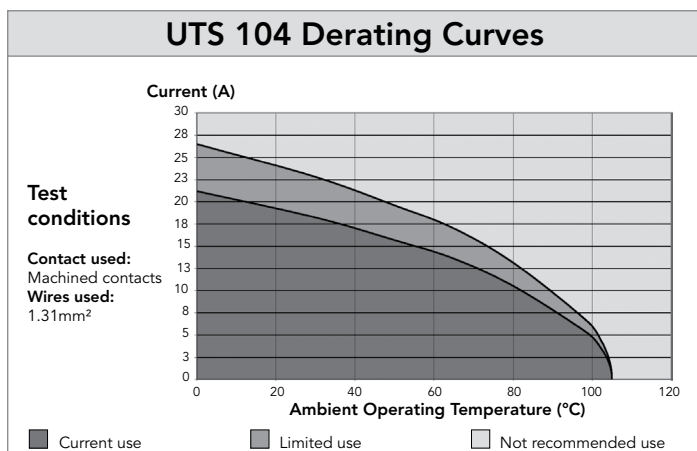
104 (Shell size 10, 4x#16)

Contacts

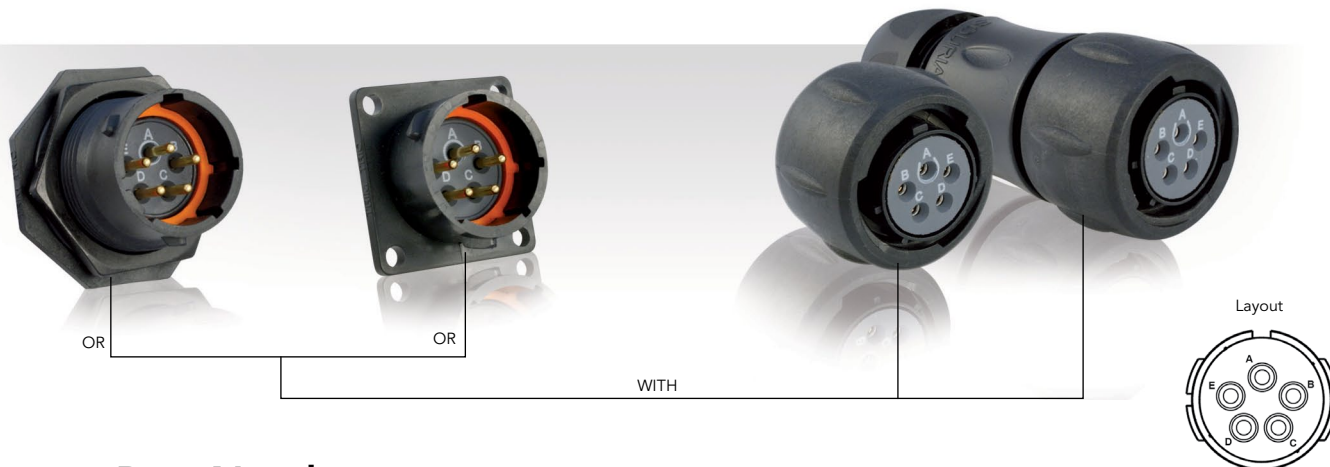
| #16 | Contact type | AWG | Part number | | Max wire Ø | Max insulator Ø |
|-------------|--|---------------------------------|------------------------------|------------------------------|------------|-----------------|
| | | | Male | Female | | |
| Crimp | Machined | 30-28 | RM28M1K ⁽¹⁾ | RC28M1K ⁽¹⁾ | 0.55 | 1.00 |
| | | 26-24 | RM24M9K ⁽¹⁾ | RC24M9K ⁽¹⁾ | 0.80 | 1.60 |
| | | 22-20 | RM20M13K ⁽¹⁾ | RC20M13K ⁽¹⁾ | 1.15 | 1.80 |
| | | 22-20 | RM20M12K ⁽¹⁾ | RC20M12K ⁽¹⁾ | 1.15 | 2.20 |
| | | 20-16 | RM16M23K ⁽¹⁾ | RC16M23K ⁽¹⁾ | 1.80 | 3.20 |
| | | 16-14 | RM14M30K ⁽¹⁾ | RC14M30K ⁽¹⁾ | 2.30 | 3.20 |
| | Stamped & Formed reeled contacts See note (2) for loose piece | 26-24 | SM24M1TK6 ⁽¹⁾⁽²⁾ | SC24M1TK6 ⁽¹⁾⁽²⁾ | - | 0.90-1.60 |
| | | 22-20 | SM20M1TK6 ⁽¹⁾⁽²⁾ | SC20M1TK6 ⁽¹⁾⁽²⁾ | - | 1.20-2.10 |
| | | 18-16 | SM16M1TK6 ⁽¹⁾⁽²⁾ | SC16M1TK6 ⁽¹⁾⁽²⁾ | - | 3.20 |
| | | 18-16 | SM16M11TK6 ⁽¹⁾⁽²⁾ | SC16M11TK6 ⁽¹⁾⁽²⁾ | - | 3.00 |
| 14 | | SM14M1TK6 ⁽¹⁾⁽²⁾ | SC14M1TK6 ⁽¹⁾⁽²⁾ | - | 3.20 | |
| PCB | Machined ⁽³⁾ | - | RM20M12E83K ⁽¹⁾ | RC20M12E84K ⁽¹⁾ | - | - |
| Coaxial | Cable Multipiece | see pages 167, 200 to 206 | RMDXK10D28 | RCDXK1D28 | - | - |
| | Cable Monocrimp | | RMDX60xxD28 | RCDX60xxD28 | - | - |
| | Twisted pair Multipiece | | RMDXK10D28 + york090 | RCDXK1D28 + york090 | - | - |
| | Twisted pair Monocrimp | | RMDX60xxD28 | RCDX60xxD28 | - | - |
| Fiber optic | POF contacts (Plastic Optical Fiber) | - | RMPOF1000 | RCPOF1000B | - | - |

(1): Example of plating, for other plating see page 164 (2): Loose piece contact available if putting L. Example: SM20ML1TK6 (3): For dimensions see page 168 Note: all dimensions are in mm

| Electrical Characteristics |
|--|
| <p>UL 10A 500V UL94 V-0</p> <p>CSA 7A 500V UL94 V-0</p> <p>IEC 13A 150V 2.5kV 3</p> |



14E5/14D5 (Shell size 14, 5x#16)



Connector Part Numbers

| Contact type | Connector type | Backshell | Part number | |
|--|--|----------------------|--------------------|--------------------|
| | | | Male insert | Female insert |
| Hand solder electrical contacts loaded see page 75 | Square flange receptacle | Without (Fig. 6) | UTS014E5P | UTS014E5S |
| | Plug | Without (Fig. 1) | UTS614E5P | UTS614E5S |
| | | Cable gland (Fig. 2) | UTS6JC14E5P | UTS6JC14E5S |
| | Jam nut receptacle | Without (Fig. 3) | UTS714E5P | UTS714E5S |
| PCB contacts loaded see page 75 | Square flange receptacle | Without (Fig. 6) | UTS014D5P | UTS014D5S |
| | Jam nut receptacle with hold down clips | Without (Fig. 4) | UTS714D5P32 | UTS714D5S32 |
| | Jam nut receptacle with stand off and without hold down clip | Without (Fig. 5) | UTS714D5P | UTS714D5S |

Possibilities of discrimination/keying methods see page 208

Sealed unmated

Overmoulded Cable Assembly Part Numbers

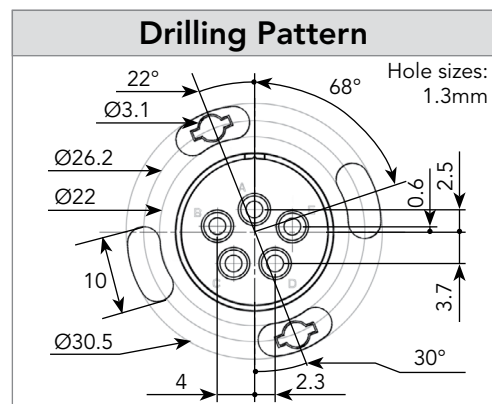
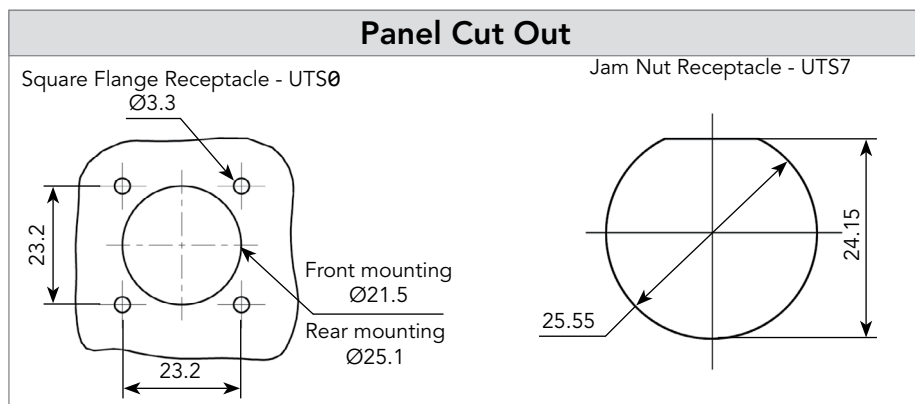
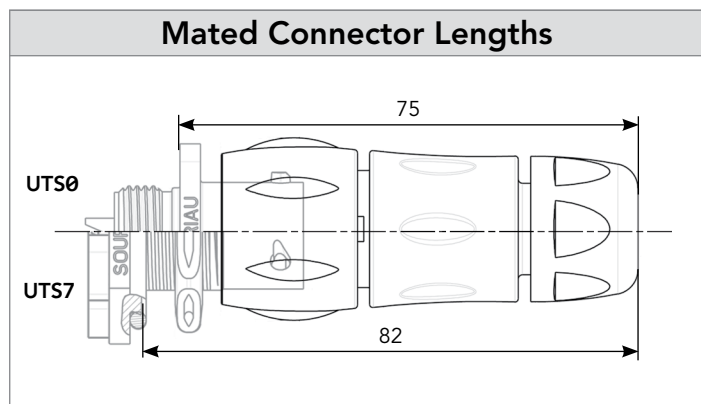
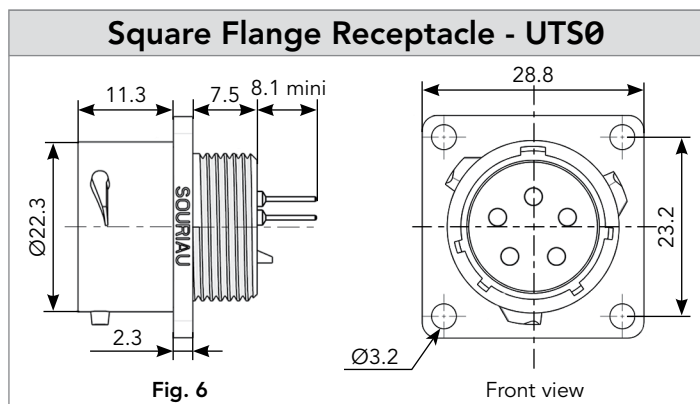
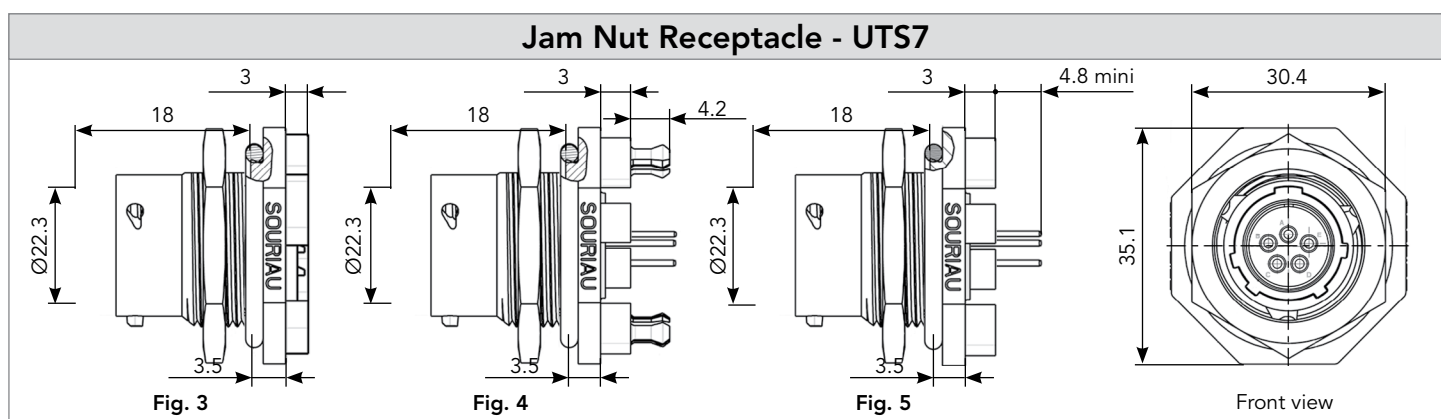
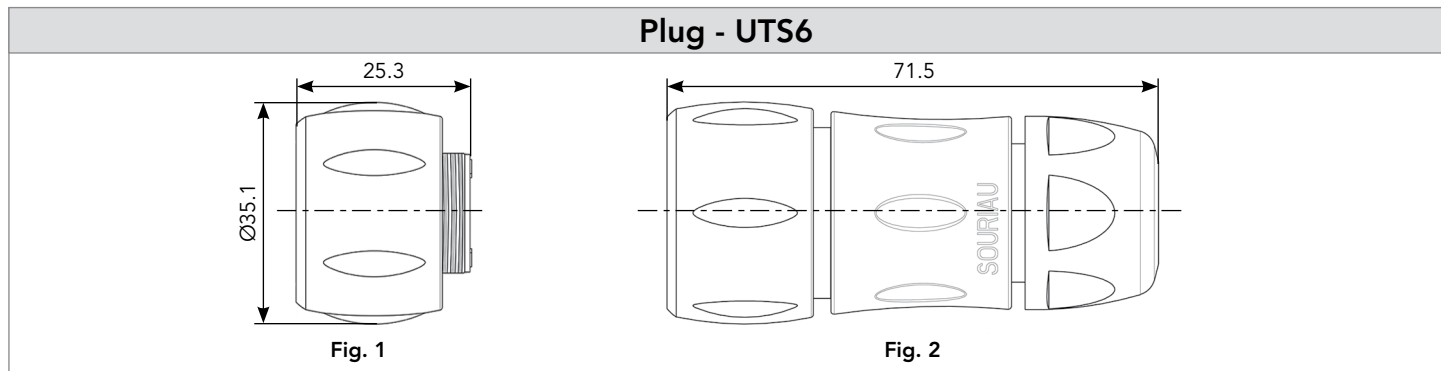
| Overmoulding type | Connector type | Wire size (mm ²) | Harmonized cable part number ⁽¹⁾ | Part number (length: 1m.)* | |
|--------------------|----------------|------------------------------|---|----------------------------|--------------------------|
| | | | | Male plug | Female plug |
| Straight ending | Plug | 1.5 | H05 VV - F 5x1.5 | HAUTS0V14E5PST100 | HAUTS0V14E5SST100 |
| Right angle ending | Plug | 1.5 | H05 VV - F 5x1.5 | HAUTS0V14E5PRA100 | HAUTS0V14E5SRA100 |

(1) Other cable available on demand

* Other lengths available on demand

14E5/14D5 (Shell size 14, 5x#16)

Dimensions



Note: Overmoulded cable assembly dimensions available page 179.

Note: all dimensions are in mm

14E5/14D5 (Shell size 14, 5x#16)

Accessories and Tooling

Jam Nut Sealing Caps



IP68/69K

| Part number |
|-------------|
| UTS14DCG |



IP68/69K Metal terminal

| Part number |
|-------------|
| UTS14DCGR |

Plug Sealing Cap



IP68/69K

| Part number |
|-------------|
| UTS614DCG |

Square Flange Sealing Cap



IP68/69K Metal terminal


| Part number |
|-------------|
| UTS14DCGE |

Plastic Protective Cap




| Part numbers | |
|----------------|----------|
| Receptacle cap | Plug cap |
| 85005588A | 85005597 |


Gasket




| Part numbers |
|--------------|
| UTFD14B |

Color Coding Rings

G for Green 

Y for Yellow 

R for Red 

| Part numbers | |
|--------------|------------|
| Receptacles | Plugs |
| UTS714CCRR | UTS614CCRR |
| UTS714CCRY | UTS614CCRY |
| UTS714CCRG | UTS614CCRG |

14E5/14D5 (Shell size 14, 5x#16)

Contacts

| #16 | Contact type | Plating | Cable acceptance (AWG) | Wire stripping length |
|-------------|-------------------------|----------------------------|------------------------|-----------------------|
| Hand solder | Loaded in the connector | Min 0.4μ gold over 0.8μ Ni | 18 to 14 | 5 mm |
| PCB | Machined ⁽¹⁾ | Min 0.4μ gold over 0.8μ Ni | - | - |

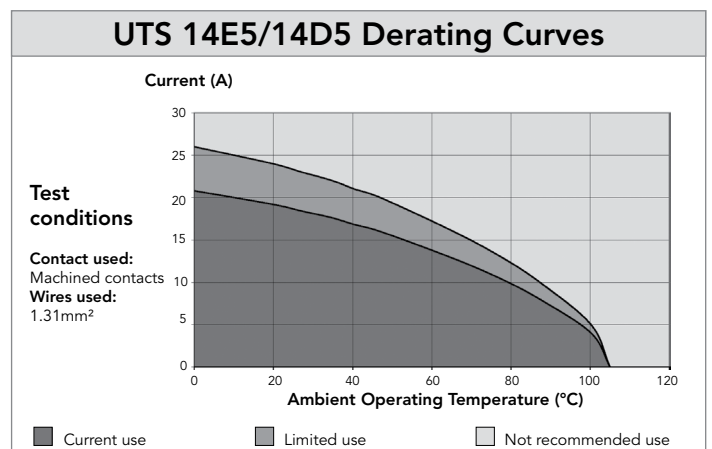
(1): For dimensions see page 169

Electrical Characteristics

UL
12A 600V UL94 HB

CSA
12A 600V UL94 HB

IEC
16A 150V 2.5kV 3



18X2M3 (Shell size 18, 3x#16, 2x#8)

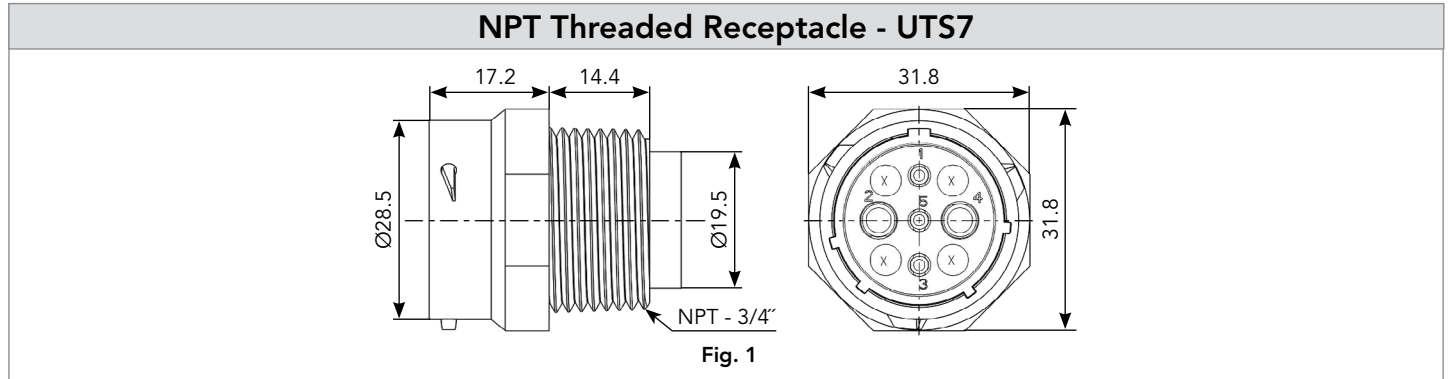


Connector Part Numbers

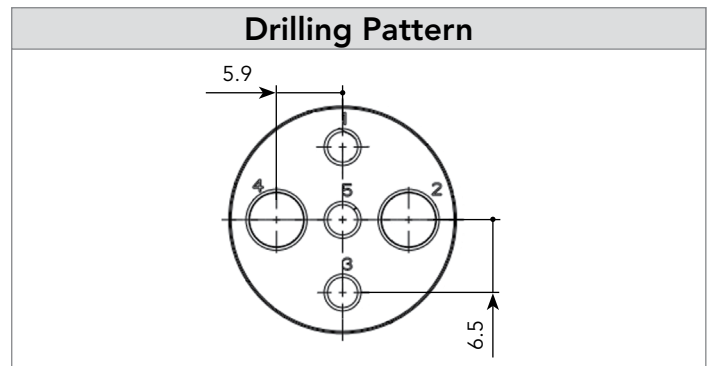
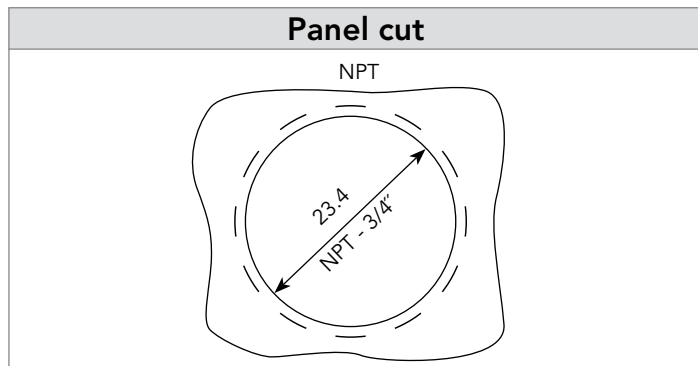
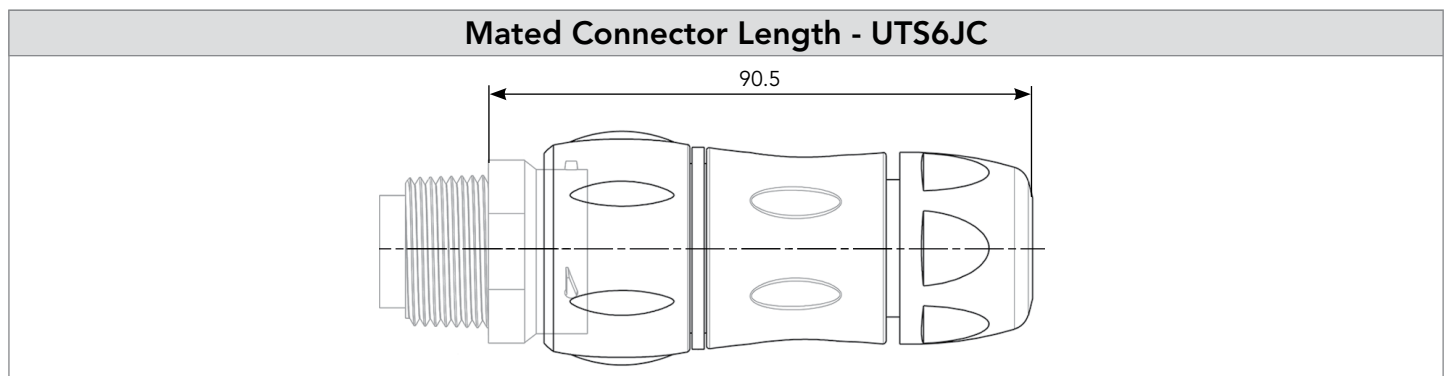
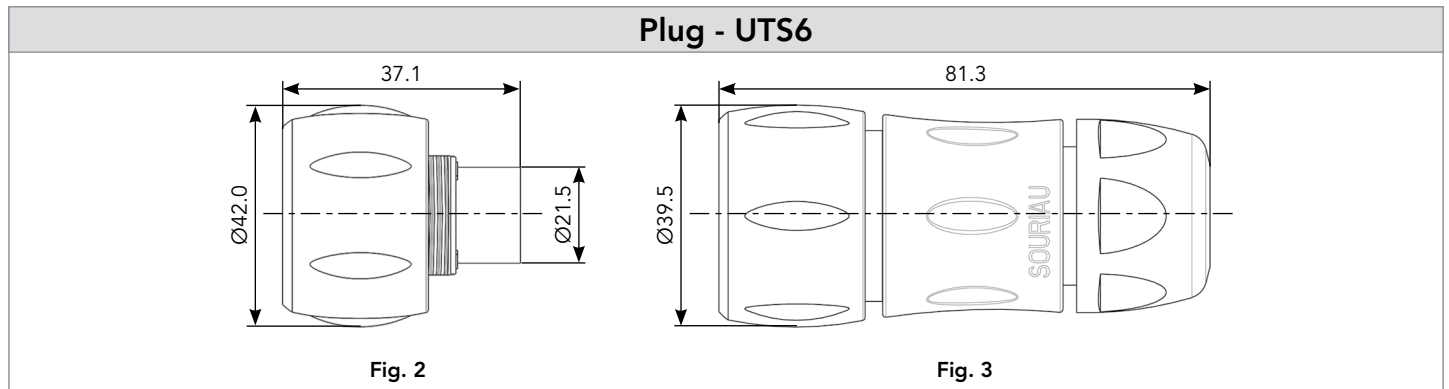
| Contact type | Connector type | Backshell | Part number | |
|--|-------------------------|----------------------|-----------------------|-----------------------|
| | | | Male insert | Female insert |
| Crimp contacts supplied separately see page 79 | NPT threaded receptacle | Without (Fig. 1) | UTS718X2M3PNPT | UTS718X2M3SNPT |
| | Plug | Without (Fig. 2) | UTS618X2M3P | UTS618X2M3S |
| | Plug | Cable gland (Fig. 3) | UTS6JC18X2M3P | UTS6JC18X2M3S |
| PCB contacts supplied separately see page 79 | NPT threaded receptacle | Without (Fig. 1) | UTS718X2M3PNPT | UTS718X2M3SNPT |

18X2M3 (Shell size 18, 3x#16, 2x#8)

Dimensions



5



Note: all dimensions are in mm

18X2M3 (Shell size 18, 3x#16, 2x#8)

Accessories and Tooling

Jam Nut or NPT Threaded Receptacle Sealing Caps



IP68/69K

Part number
UTS18DCG



IP68/69K

Metal terminal

Part number
UTS18DCGR

Plug Sealing Cap



IP68/69K

Part number
UTS618DCG

Extraction Tool #16



Part number
RX2025GE1

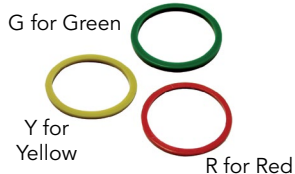
Plastic Protective Cap



Part numbers

| Receptacle cap | Plug cap |
|----------------|----------|
| 85005590A | 85005599 |

Color Coding Rings



| Part numbers | |
|--------------|------------|
| Receptacles | Plugs |
| UTS718CCRR | UTS618CCRR |
| UTS718CCRY | UTS618CCRY |
| UTS718CCRG | UTS618CCRG |

Crimp Tooling #16



Part number
SHANDLES



Part number
TOOLKIT



| Contacts | Contact size | Part number of head |
|--------------------------------|-------------------------------------|---------------------|
| RM/RC 28M1K | Standard contacts #16 Ø 1.6mm | S16RCM20* |
| RM/RC 24M9K | | S16RCM20* |
| RM/RC 20M13K | | S16RCM20* |
| RM/RC 20M12K | | S16RCM20* |
| RM/RC 16M23K | | S16RCM16* |
| RM/RC 14M30K | | S16RCM14* |
| SM/SC 24ML1TK6 ⁽¹⁾ | | S16SCM20* |
| SM/SC 20ML1TK6 ⁽¹⁾ | | S16SCM20* |
| SM/SC 16ML1TK6 ⁽¹⁾ | | S16SCML1* |
| SM/SC 14ML1TK6 ⁽¹⁾ | | S16SCML1* |
| SM/SC 16ML11TK6 ⁽¹⁾ | | S16SCML11* |

(1): Example of plating, for other plating see page 164
*: Heads to be used with handle PN: SHANDLES

Crimp Tooling #8



Part number hand tool
M317



Part number positioner + locator setting
VGE10078A

Extraction Tool #8



Part number extraction tool
51060210936

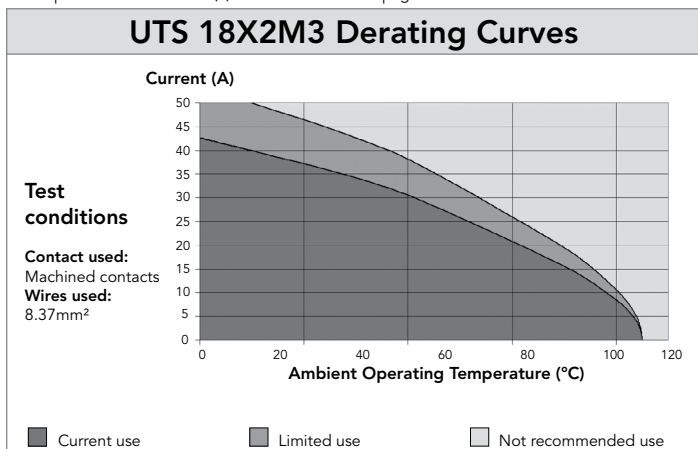
18X2M3 (Shell size 18, 3x#16, 2x#8)

Contacts

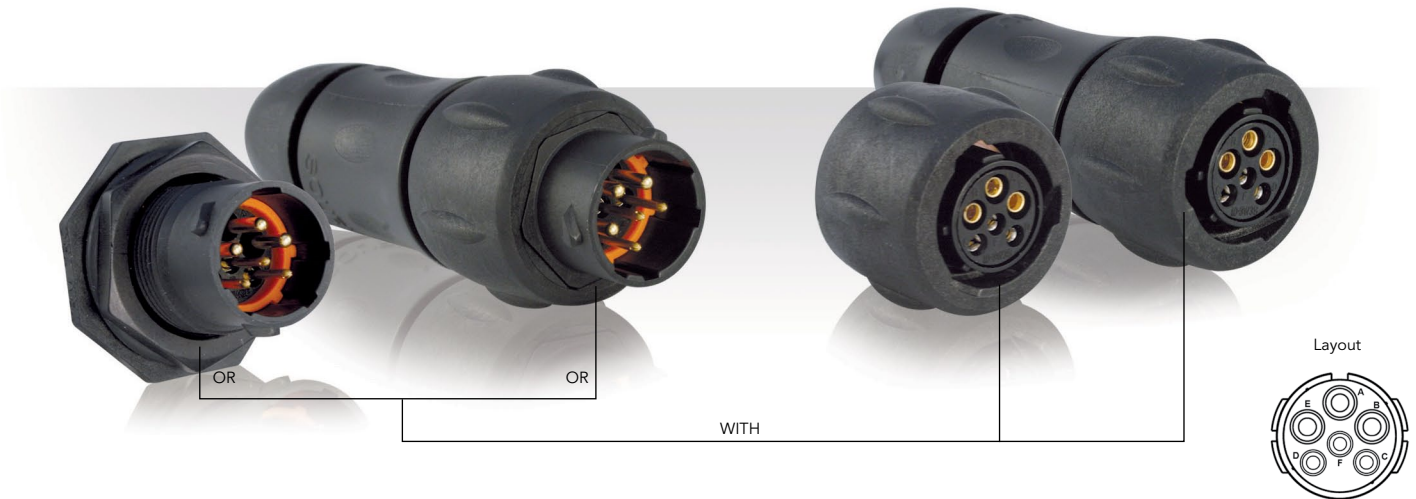
| #16 | Contact type | Wire size | | Part number | | Max wire Ø | Max insulator Ø |
|-------------|--|-----------|-----------------------------|------------------------------|------------------------------|------------|-----------------|
| | | AWG | mm ² | Male | Female | | |
| Crimp | Machined | 30-28 | 0.50-0.08 | RM28M1K | RC28M1K | 0.55 | 1.00 |
| | | 26-24 | 0.13-0.25 | RM24M9K | RC24M9K | 0.80 | 1.60 |
| | | 22-20 | 0.32-0.52 | RM20M13K | RC20M13K | 1.15 | 1.80 |
| | | 22-20 | 0.32-0.52 | RM20M12K | RC20M12K | 1.15 | 2.20 |
| | | 20-16 | 0.52-1.50 | RM16M23K | RC16M23K | 1.80 | 3.20 |
| | | 16-14 | 1.50-2.50 | RM14M30K | RC14M30K | 2.30 | 3.20 |
| | Stamped & Formed reeled contacts See note (2) for loose piece | 26-24 | 0.13-0.25 | SM24M1TK6 ⁽¹⁾⁽²⁾ | SC24M1TK6 ⁽¹⁾⁽²⁾ | - | 0.90-1.60 |
| | | 22-20 | 0.32-0.52 | SM20M1TK6 ⁽¹⁾⁽²⁾ | SC20M1TK6 ⁽¹⁾⁽²⁾ | - | 1.20-2.10 |
| | | 18-16 | 0.80-1.50 | SM16M1TK6 ⁽¹⁾⁽²⁾ | SC16M1TK6 ⁽¹⁾⁽²⁾ | - | 3.20 |
| | | 18-16 | 0.80-1.50 | SM16M11TK6 ⁽¹⁾⁽²⁾ | SC16M11TK6 ⁽¹⁾⁽²⁾ | - | 3.00 |
| 14 | | 2.50 | SM14M1TK6 ⁽¹⁾⁽²⁾ | SC14M1TK6 ⁽¹⁾⁽²⁾ | - | 3.20 | |
| PCB | Machined ⁽³⁾ | - | - | RM20M12E83K ⁽¹⁾ | RC20M12E84K ⁽¹⁾ | - | - |
| Coaxial | Cable Multipiece | - | - | RMDXK10D28 | RCDXK1D28 | - | - |
| | Cable Monocrimp | - | - | RMDX60xxD28 | RCDX60xxD28 | - | - |
| | Twisted pair Multipiece | - | - | RMDXK10D28 + yorK090 | RCDXK1D28 + yorK090 | - | - |
| | Twisted pair Monocrimp | - | - | RMDX60xxD28 | RCDX60xxD28 | - | - |
| Fiber optic | POF contacts (Plastic Optical Fiber) | - | - | RMPOF1000 | RCPOF1000B | - | - |
| #8 | | | | | | | |
| Crimp | Machined | 16 | 1.50 | 82913601A ⁽¹⁾ | 82913600A ⁽¹⁾ | 1.72 | 6.50 |
| | | 14 | 2.50 | 82913603A ⁽¹⁾ | 82913602A ⁽¹⁾ | 2.22 | |
| | | 12 | 4.00 | 82913605A ⁽¹⁾ | 82913604A ⁽¹⁾ | 2.82 | |
| | | 10 | 6.00 | 82913607A ⁽¹⁾ | 82913606A ⁽¹⁾ | 3.50 | |
| | | 8 | 10.00 | 82913609A ⁽¹⁾ | 82913608A ⁽¹⁾ | 4.35 | |
| PCB | Machined ⁽³⁾ | - | - | 82911685NPC ⁽¹⁾ | 82911684NPC ⁽¹⁾ | - | - |

(1): Example of plating, for other plating see page 164 (2): Loose piece contact available if putting L. Example: SM20ML1TK6 (3): For dimensions see page 168 Note: all dimensions are in mm

| Electrical Characteristics |
|---|
| <p>UL 44A 600V UL94 V-0</p> <p>CSA 34A 600V UL94 V-0</p> <p>IEC 32A 300V 4kV 3</p> |



103W3 (Shell size 10, 3x#20, 3x#16)

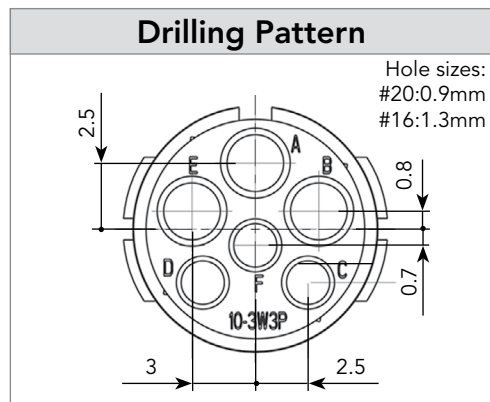
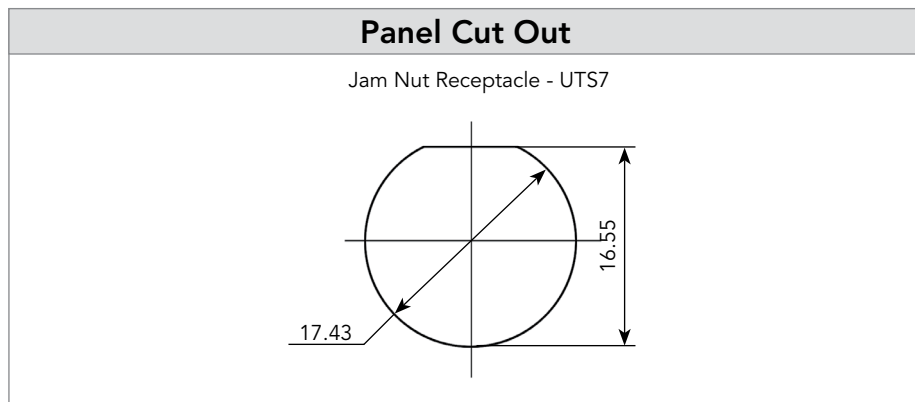
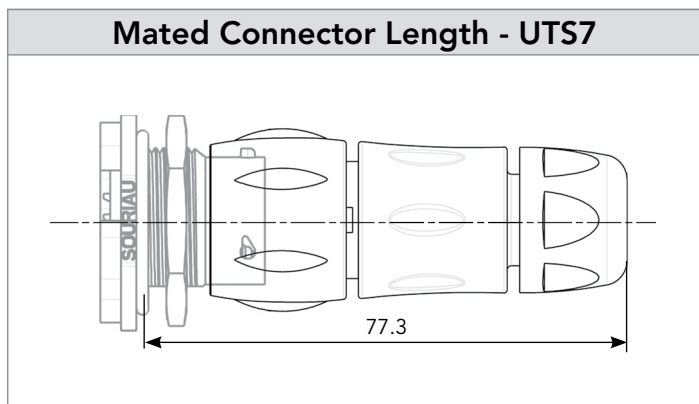
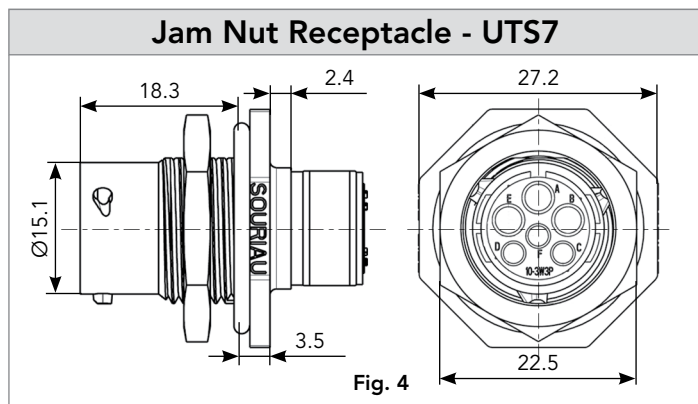
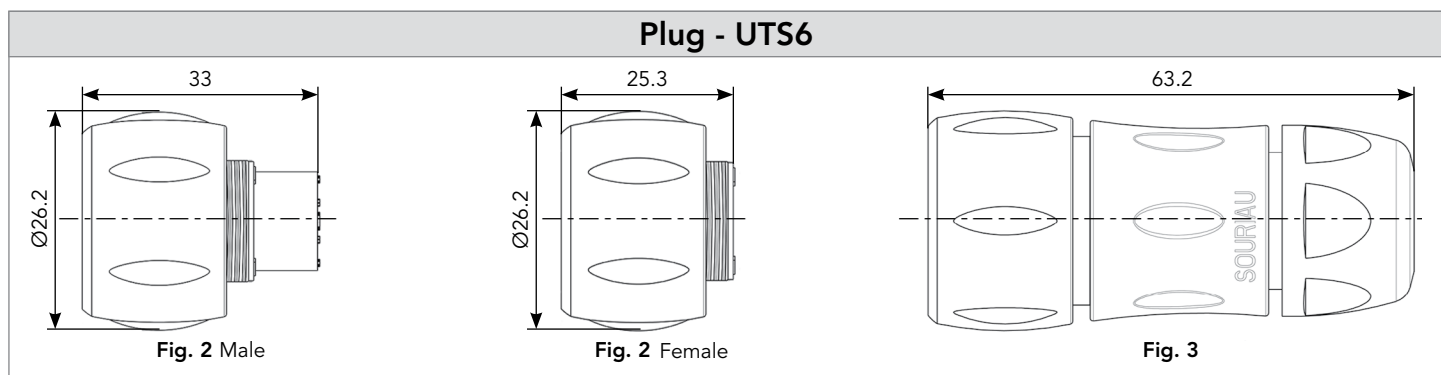
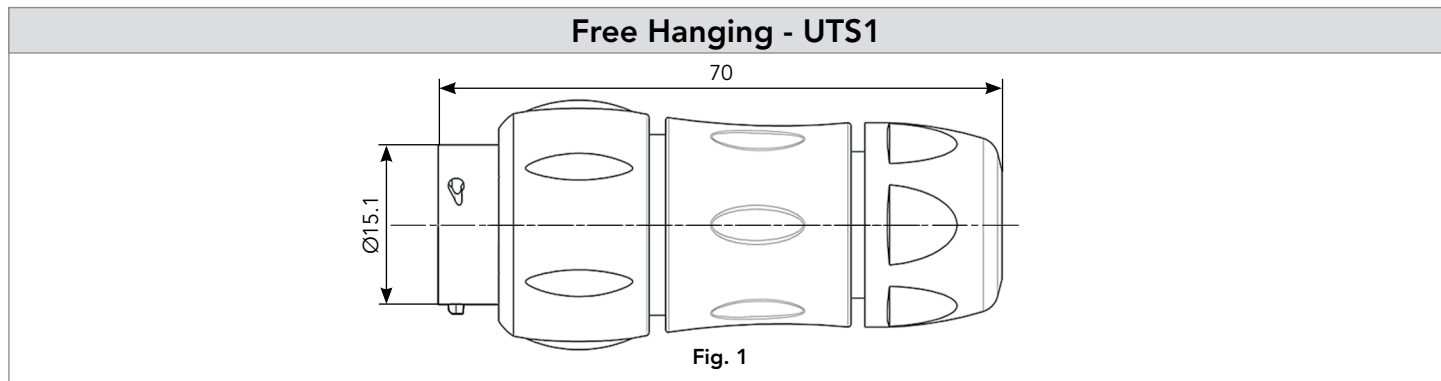


Connector Part Numbers

| Contact type | Connector type | Backshell | Part number | |
|--|--|----------------------|---------------------|---------------------|
| | | | Male insert | Female insert |
| Crimp contacts supplied separately see page 83 | Free hanging receptacle | Cable gland (Fig. 1) | UTS1JC103W3P | UTS1JC103W3S |
| | Plug | Without (Fig. 2) | UTS6103W3P | UTS6103W3S |
| | Plug | Cable gland (Fig. 3) | UTS6JC103W3P | UTS6JC103W3S |
| | Jam nut receptacle | Without (Fig. 4) | UTS7103W3P | UTS7103W3S |
| PCB contacts supplied separately see page 83 | Jam nut receptacle with stand off and without hold down clip | Without (Fig. 4) | UTS7103W3P | UTS7103W3S |

103W3 (Shell size 10, 3x#20, 3x#16)

Dimensions



Note: all dimensions are in mm

103W3 (Shell size 10, 3x#20, 3x#16)

Accessories and Tooling

Jam Nut Sealing Caps



IP68/69K

| |
|-------------|
| Part number |
| UTS10DCG |



IP68/69K Metal terminal


| |
|-------------|
| Part number |
| UTS10DCGR |

Handle



| |
|-------------|
| Part number |
| SHANDLES |

Tool Kit



| |
|-------------|
| Part number |
| TOOLKIT |

Plug Sealing Cap



IP68/69K

| |
|-------------|
| Part number |
| UTS610DCG |


Square Flange Sealing Cap



IP68/69K Metal terminal

| |
|-------------|
| Part number |
| UTS10DCGE |

Crimp Tooling




| Contacts | Contact size | Part number of head |
|--------------------------------|-------------------------------------|---------------------|
| RM/RC 28M1K | Standard contacts #16 Ø 1.6mm | S16RCM20* |
| RM/RC 24M9K | | S16RCM20* |
| RM/RC 20M13K | | S16RCM20* |
| RM/RC 20M12K | | S16RCM20* |
| RM/RC 16M23K | | S16RCM16* |
| RM/RC 14M30K | | S16RCM14* |
| SM/SC 24ML1TK6 ⁽¹⁾ | | S16SCM20* |
| SM/SC 20ML1TK6 ⁽¹⁾ | | S16SCM20* |
| SM/SC 16ML1TK6 ⁽¹⁾ | | S16SCML1* |
| SM/SC 14ML1TK6 ⁽¹⁾ | | S16SCML1* |
| SM/SC 16ML11TK6 ⁽¹⁾ | | S16SCML11* |
| RMDXK10D28 | | Coaxial contacts |
| RCDXK1D28 | | |
| RMDX60xxD28 | | |
| RCDX60xxD28 | | |
| RM/RC DXK10D28 + york090 | Standard contacts #20 Ø 1mm | S20RCM* |
| RM/RC 24W3K ⁽¹⁾ | | S20RCM* |
| RM/RC 20W3K ⁽¹⁾ | | S20RCM* |
| RM/RC 18W3K ⁽¹⁾ | | S20RCM* |
| SM/SC 24WL3S | | S20SCM20* |
| SM/SC 20WL3S | | S20SCM20* |

Plastic Protective Cap



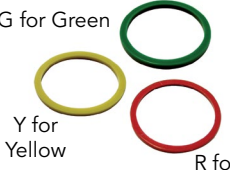
| Part numbers | |
|----------------|----------|
| Receptacle cap | Plug cap |
| 85005586A | 85005595 |

Gasket



| |
|--------------|
| Part numbers |
| UTFD12B |

Color Coding Rings



| Part numbers | |
|--------------|------------|
| Receptacles | Plugs |
| UTS710CCRR | UTS610CCRR |
| UTS710CCRY | UTS610CCRY |
| UTS710CCRG | UTS610CCRG |

(1): Example of plating, for other plating see page 164
 *: Heads to be used with handle PN: SHANDLES

103W3 (Shell size 10, 3x#20, 3x#16)

Contacts

| #16 | Contact type | Wire size | | Part number | | Max wire Ø | Max insulator Ø |
|-------------|---|-----------|-----------------------------|------------------------------|------------------------------|------------|-----------------|
| | | AWG | mm ² | Male | Female | | |
| Crimp | Machined | 30-28 | 0.50-0.08 | RM28M1K | RC28M1K | 0.55 | 1.00 |
| | | 26-24 | 0.13-0.25 | RM24M9K | RC24M9K | 0.80 | 1.60 |
| | | 22-20 | 0.32-0.52 | RM20M13K | RC20M13K | 1.15 | 1.80 |
| | | 22-20 | 0.32-0.52 | RM20M12K | RC20M12K | 1.15 | 2.20 |
| | | 20-16 | 0.52-1.50 | RM16M23K | RC16M23K | 1.80 | 3.20 |
| | Stamped & Formed reeled contacts <small>See note (2) for loose piece</small> | 16-14 | 1.50-2.50 | RM14M30K | RC14M30K | 2.30 | 3.20 |
| | | 26-24 | 0.13-0.25 | SM24M1TK6 ⁽¹⁾⁽²⁾ | SC24M1TK6 ⁽¹⁾⁽²⁾ | - | 0.90-1.60 |
| | | 22-20 | 0.32-0.52 | SM20M1TK6 ⁽¹⁾⁽²⁾ | SC20M1TK6 ⁽¹⁾⁽²⁾ | - | 1.20-2.10 |
| | | 18-16 | 0.80-1.50 | SM16M1TK6 ⁽¹⁾⁽²⁾ | SC16M1TK6 ⁽¹⁾⁽²⁾ | - | 3.20 |
| | | 18-16 | 0.80-1.50 | SM16M11TK6 ⁽¹⁾⁽²⁾ | SC16M11TK6 ⁽¹⁾⁽²⁾ | - | 3.00 |
| | 14 | 2.50 | SM14M1TK6 ⁽¹⁾⁽²⁾ | SC14M1TK6 ⁽¹⁾⁽²⁾ | - | 3.20 | |
| PCB | Machined ⁽³⁾ | - | - | RM20M12E83K ⁽¹⁾ | RC20M12E84K ⁽¹⁾ | - | - |
| Coaxial | Cable Multipiece | - | - | RMDXK10D28 | RCDXK1D28 | - | - |
| | Cable Monocrimp | - | - | RMDX60xxD28 | RCDX60xxD28 | - | - |
| | Twisted pair Multipiece | - | - | RMDXK10D28 + york090 | RCDXK1D28 + york090 | - | - |
| | Twisted pair Monocrimp | - | - | RMDX60xxD28 | RCDX60xxD28 | - | - |
| Fiber optic | POF contacts (Plastic Optical Fiber) | - | - | RMPOF1000 | RCPOF1000B | - | - |
| #20 | | | | | | | |
| Crimp | Machined | 26-24 | 0.13-0.25 | RM24W3K ⁽¹⁾ | RC24W3K ⁽¹⁾ | 0.80 | 1.60 |
| | | 22-20 | 0.32-0.52 | RM20W3K ⁽¹⁾ | RC20W3K ⁽¹⁾ | 1.15 | 1.60 |
| | | 20-18 | 0.50-0.93 | RM18W3K ⁽¹⁾ | RC18W3K ⁽¹⁾ | 1.30 | 2.10 |
| | Stamped & Formed reeled contacts <small>See note (2) for loose piece</small> | 26-24 | 0.13-0.25 | SM24W3TK6 ⁽²⁾ | SC24W3TK6 ⁽²⁾ | - | 0.90-1.60 |
| | | 26-24 | 0.13-0.25 | SM24W3S26 ⁽²⁾ | SC24W3S25 ⁽²⁾ | - | 0.90-1.60 |
| | | 22-20 | 0.32-0.52 | SM20W3TK6 ⁽²⁾ | SC20W3TK65 ⁽²⁾ | - | 1.20-2.10 |
| | | 22-20 | 0.32-0.52 | SM20W3S26 ⁽²⁾ | SC20W3S25 ⁽²⁾ | - | 1.20-2.10 |
| PCB | Machined ⁽³⁾ | - | - | RMW5016K | RCW5016K | - | - |

(1): Example of plating, for other plating see page 164 (2): Loose piece contact available if putting L. Example: SM20ML1TK6 (3): For dimensions see page 168 Note: all dimensions are in mm

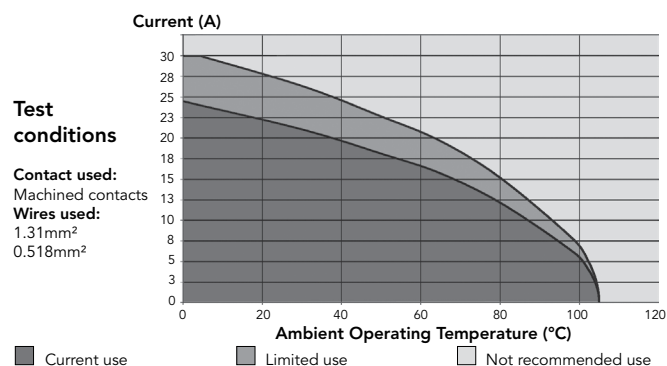
Electrical Characteristics

UL
10A 500V UL94 V-0

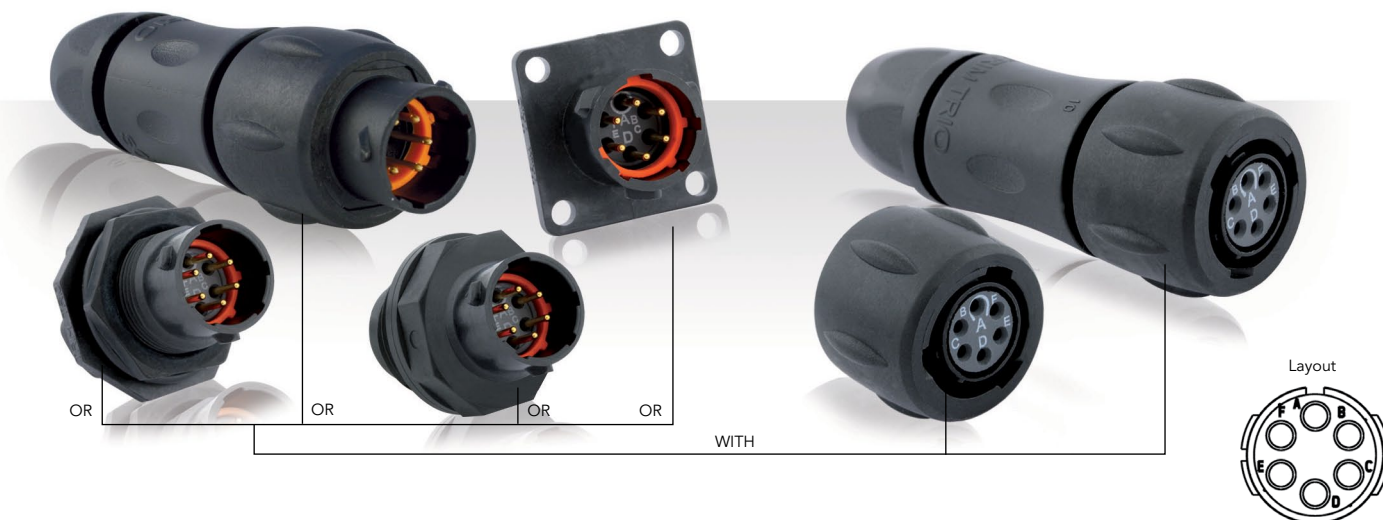
CSA
7A 500V UL94 V-0

IEC
5A 32V 1.5kV 3
Temperature elevation: 50°C

UTS 103W3 Derating Curves



106 - 10E6/10D6 (Shell size 10, 6x#20)



Connector Part Numbers

| Contact type | Connector type | Backshell | Part number | |
|--|--|----------------------|---------------------|---------------------|
| | | | Male insert | Female insert |
| Crimp contacts supplied separately see page 87 | Free hanging receptacle | Cable gland (Fig. 1) | UTS1JC106P | UTS1JC106S |
| | Plug | Without (Fig. 2) | UTS6106P | UTS6106S |
| | Plug | Cable gland (Fig. 3) | UTS6JC106P | UTS6JC106S |
| | Jam nut receptacle | Without (Fig. 4) | UTS7106P | UTS7106S |
| PCB contacts supplied separately see page 87 | Jam nut receptacle | Without (Fig. 4) | UTS7106P | UTS7106S |
| Hand solder electrical contacts loaded | Square flange receptacle | Without (Fig. 10) | UTS010E6P | UTS010E6S |
| | Plug | Without (Fig. 2) | UTS610E6P | UTS610E6S |
| | | Cable gland (Fig. 3) | UTS6JC10E6P | UTS6JC10E6S |
| Jam nut receptacle | Without (Fig. 5) | UTS710E6P | UTS710E6S | |
| Hand solder electrical contacts loaded see page 87 | M16 threaded receptacle | Without (Fig. 8) | UTS710E6PM16 | UTS710E6SM16 |
| PCB contacts supplied separately see page 87 | Jam nut receptacle | Without (Fig.4) | UTS7106P | UTS7106S |
| PCB contacts loaded see page 87 | Square flange receptacle | Without (Fig.9) | UTS010D6P | UTS010D6S |
| | Jam nut receptacle with stand off and with hold down clips | Without (Fig.7) | UTS710D6P32 | UTS710D6S32 |
| | Jam nut receptacle with stand off and without hold down clip | Without (Fig.6) | UTS710D6P | UTS710D6S |

Possibilities of discrimination/keying methods see page 208

Sealed unmatd

Overmoulded Cable Assembly Part Numbers

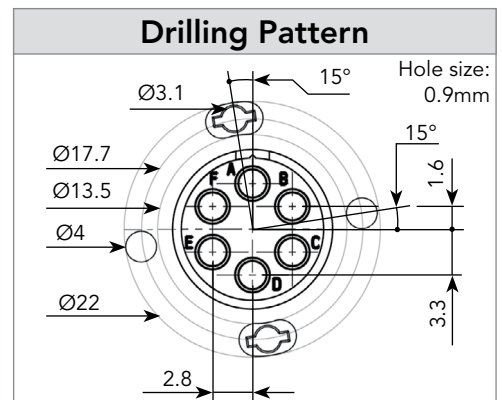
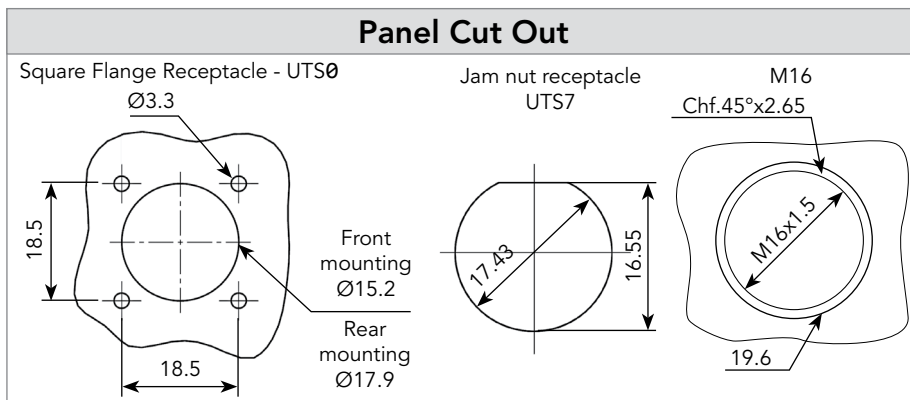
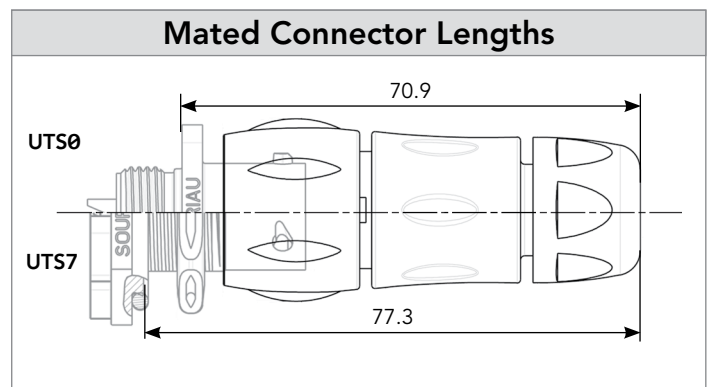
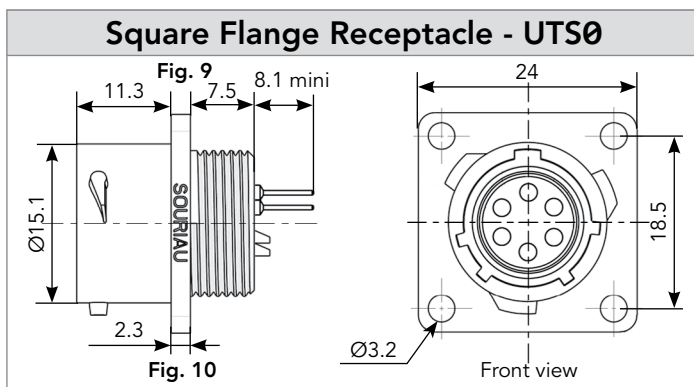
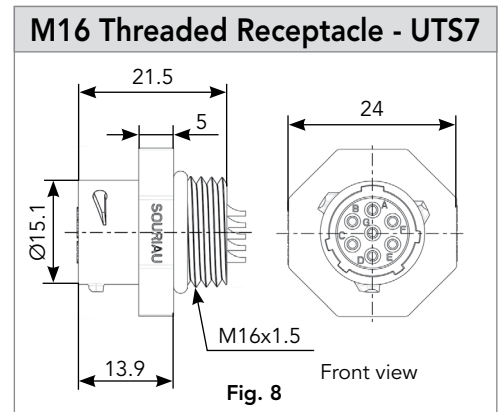
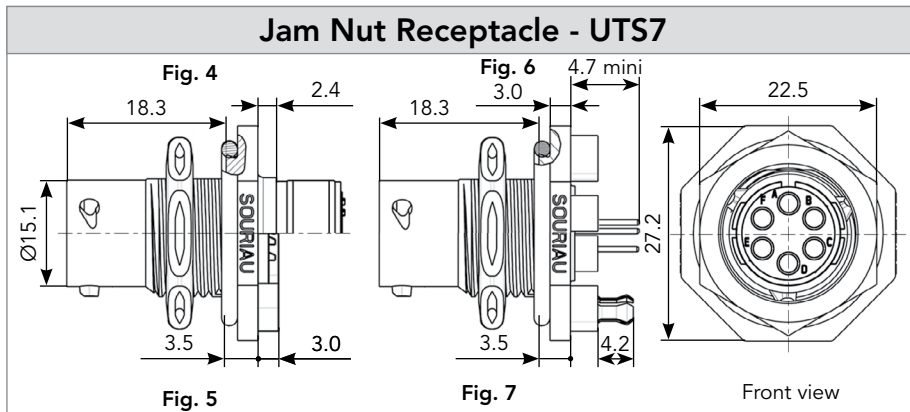
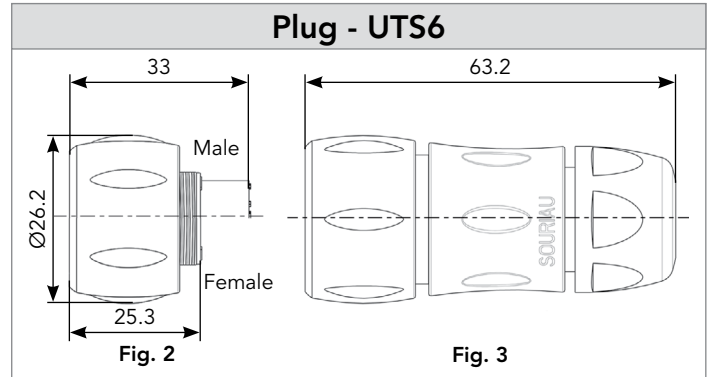
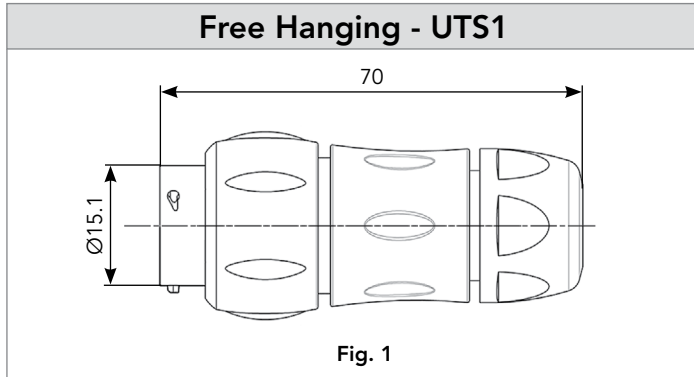
| Overmoulding type | Connector type | Wire size (mm ²) | Harmonized cable part number ⁽¹⁾ | Part number (length: 1m.)* | |
|--------------------|----------------|------------------------------|---|----------------------------|--------------------------|
| | | | | Male plug | Female plug |
| Straight ending | Plug | 0.5 | H05 VV - F 6x0.5 | HAUTS0V106PST100 | HAUTS0V106SST100 |
| | | | | HAUTS0V10E6PST100 | HAUTS0V10E6SST100 |
| Right angle ending | Plug | 0.5 | H05 VV - F 6x0.5 | HAUTS0V106PRA100 | HAUTS0V106SRA100 |
| | | | | HAUTS0V10E6PRA100 | HAUTS0V10E6SRA100 |

(1) Other cable available on demand

* Other lengths available on demand

106 - 10E6/10D6 (Shell size 10, 6x#20)

Dimensions



Note: Overmoulded cable assembly dimensions available page 179.

Note: all dimensions are in mm

106 - 10E6/10D6 (Shell size 10, 6x#20)

Accessories and Tooling

Jam Nut Sealing Caps



IP68/69K

| |
|-------------|
| Part number |
| UTS10DCG |



IP68/69K Metal terminal


| |
|-------------|
| Part number |
| UTS10DCGR |

Handle (without Head)



| |
|-------------|
| Part number |
| SHANDLES |

Tool Kit



| |
|-------------|
| Part number |
| TOOLKIT |

Plug Sealing Cap



IP68/69K

| |
|-------------|
| Part number |
| UTS610DCG |


Square Flange Sealing Cap



IP68/69K Metal terminal

| |
|-------------|
| Part number |
| UTS10DCGE |

Crimp Tooling (without Shandles)



| Contacts | Contact size | Part number of head |
|----------------------------|-----------------------------------|---------------------|
| RM/RC 24W3K ⁽¹⁾ | Standard contacts #20 Ø 1mm | S20RCM* |
| RM/RC 20W3K ⁽¹⁾ | | S20RCM* |
| RM/RC 18W3K ⁽¹⁾ | | S20RCM* |
| SM/SC 24WL3S | | S20SCM20* |
| SM/SC 20WL3S | | S20SCM20* |


(1): Example of plating, for other plating see page 164
*: Heads to be used with handle PN: SHANDLES

Plastic Protective Cap

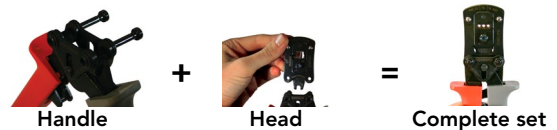


| Part numbers | |
|----------------|----------|
| Receptacle cap | Plug cap |
| 85005586A | 85005595 |

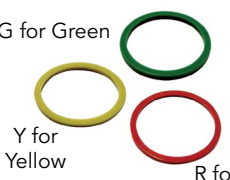
Gasket



| |
|--------------|
| Part numbers |
| UTFD12B |



Color Coding Rings



G for Green
Y for Yellow
R for Red

| Part numbers | |
|--------------|------------|
| Receptacles | Plugs |
| UTS710CCRR | UTS610CCRR |
| UTS710CCRY | UTS610CCRY |
| UTS710CCRG | UTS610CCRG |

Extraction Tool #20



| |
|-------------|
| Part number |
| RX20D44 |

106 - 10E6/10D6 (Shell size 10, 6x#20)

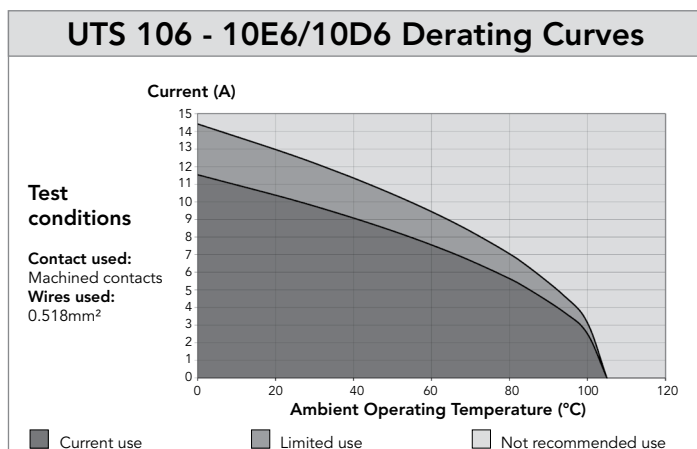
Contacts

| #20 | Contact type | Wire size | | Part number | | Max wire Ø | Max insulator Ø |
|-------|--|-----------|-----------------|--------------------------|--------------------------|------------|-----------------|
| | | AWG | mm ² | Male | Female | | |
| Crimp | Machined | 26-24 | 0.13-0.25 | RM24W3K ⁽¹⁾ | RC24W3K ⁽¹⁾ | 0.80 | 1.60 |
| | | 22-20 | 0.32-0.52 | RM20W3K ⁽¹⁾ | RC20W3K ⁽¹⁾ | 1.15 | 1.60 |
| | | 20-18 | 0.50-0.93 | RM18W3K ⁽¹⁾ | RC18W3K ⁽¹⁾ | 1.30 | 2.10 |
| | Stamped & Formed reeled contacts See note (2) for loose piece | 26-24 | 0.13-0.25 | SM24W3TK6 ⁽²⁾ | SC24W3TK6 ⁽²⁾ | - | 0.90-1.60 |
| | | 26-24 | 0.13-0.25 | SM24W3S26 ⁽²⁾ | SC24W3S25 ⁽²⁾ | - | 0.90-1.60 |
| | | 22-20 | 0.32-0.52 | SM20W3TK6 ⁽²⁾ | SC20W3TK6 ⁽²⁾ | - | 1.20-2.10 |
| | | 22-20 | 0.32-0.52 | SM20W3S26 ⁽²⁾ | SC20W3S25 ⁽²⁾ | - | 1.20-2.10 |
| PCB | Machined ⁽³⁾ | - | - | RMW5016K | RCW5016K | - | - |

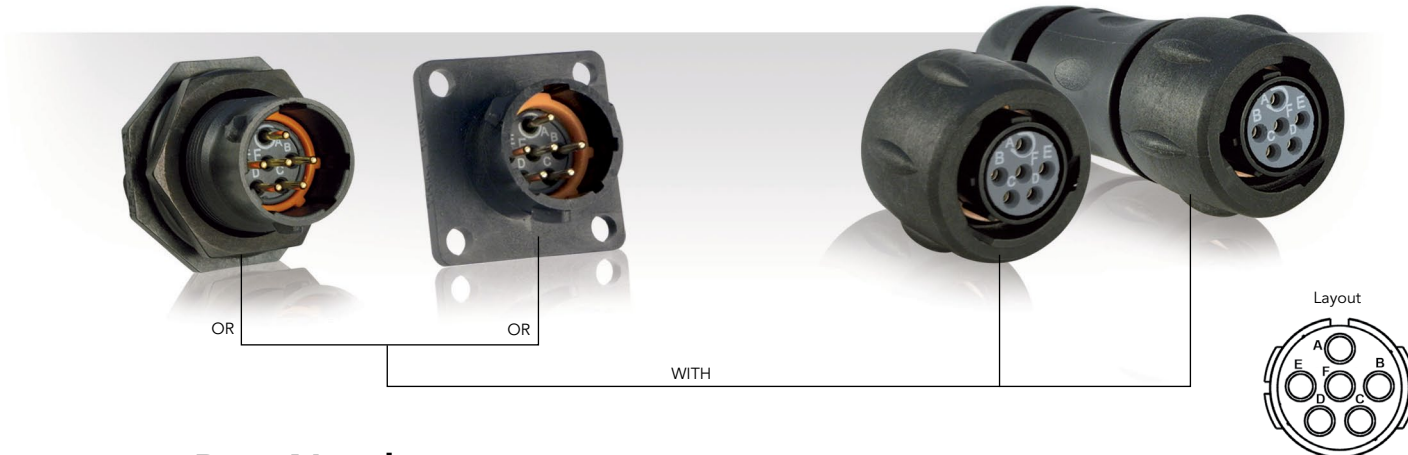
(1): Example of plating, for other plating see page 164 (2): Loose piece contact available if putting L. Example: SM20WL3TK6 (3): For dimensions see page 168 Note: all dimensions are in mm

| #20 | Contact type | Plating | Cable acceptance (AWG) | Wire stripping length |
|-------------|-------------------------|----------------------------|------------------------|-----------------------|
| Hand solder | Loaded in the connector | Min 0.4µ gold over 0.8µ Ni | 22 to 18 | 3.8 mm |

| Electrical Characteristics | |
|--|---|
| UTS 106 UL 6A 250V UL94 V-0 | UTS 10E6/10D6 UL 6A 250V UL94 HB |
| CSA 4A 250V UL94 V-0 | CSA 6A 250V UL94 HB |
| IEC 7A 32V 1.5kV 3 | |



10E98/10D98 (Shell size 10, 6x#20)



Connector Part Numbers

| Contact type | Connector type | Backshell | Part number | |
|--|--|----------------------|---------------------|---------------------|
| | | | Male insert | Female insert |
| Hand solder electrical contacts loaded see page 91 | Square flange receptacle | Without (Fig. 6) | UTS010E98P | UTS010E98S |
| | Plug | Without (Fig. 1) | UTS610E98P | UTS610E98S |
| | | Cable gland (Fig. 2) | UTS6JC10E98P | UTS6JC10E98S |
| | Jam nut receptacle | Without (Fig. 3) | UTS710E98P | UTS710E98S |
| PCB contacts loaded see page 91 | Square flange receptacle | Without (Fig. 7) | UTS010D98P | UTS010D98S |
| | Jam nut receptacle with stand off and with hold down clips | Without (Fig. 4) | UTS710D98P32 | UTS710D98S32 |
| | Jam nut receptacle with stand off and without hold down clip | Without (Fig. 5) | UTS710D98P | UTS710D98S |

Possibilities of discrimination/keying methods see page 208

Sealed unmatred

Overmoulded Cable Assembly Part Numbers

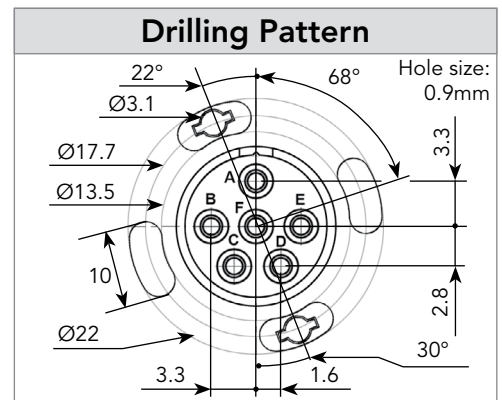
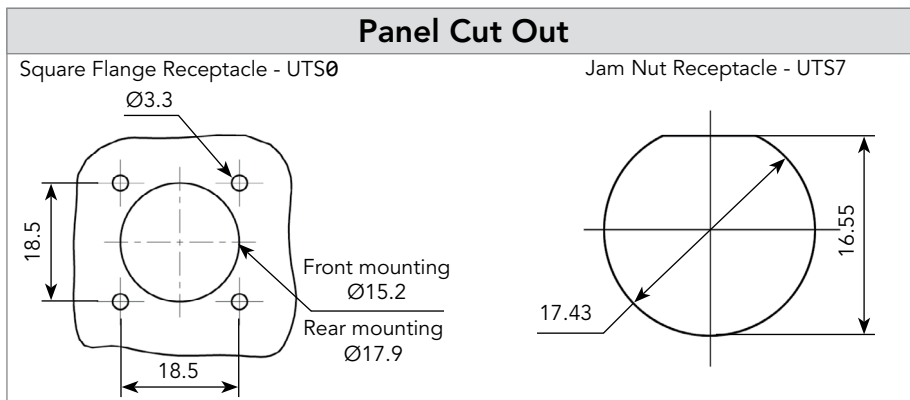
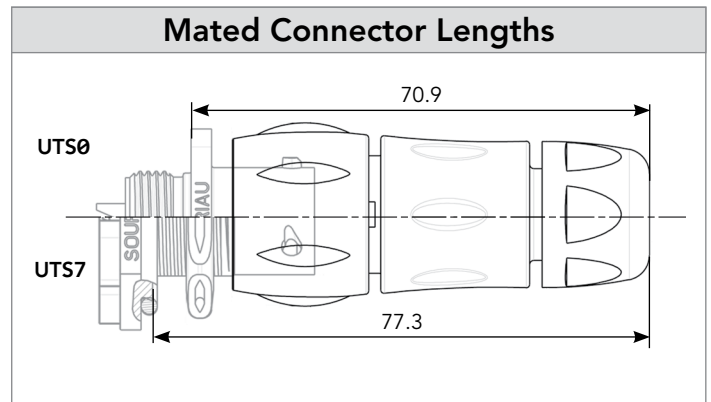
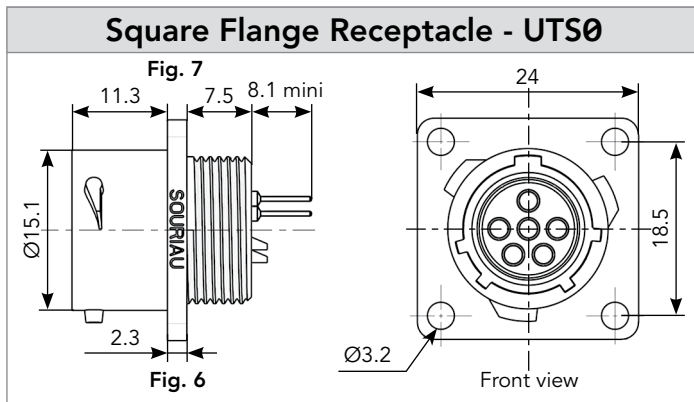
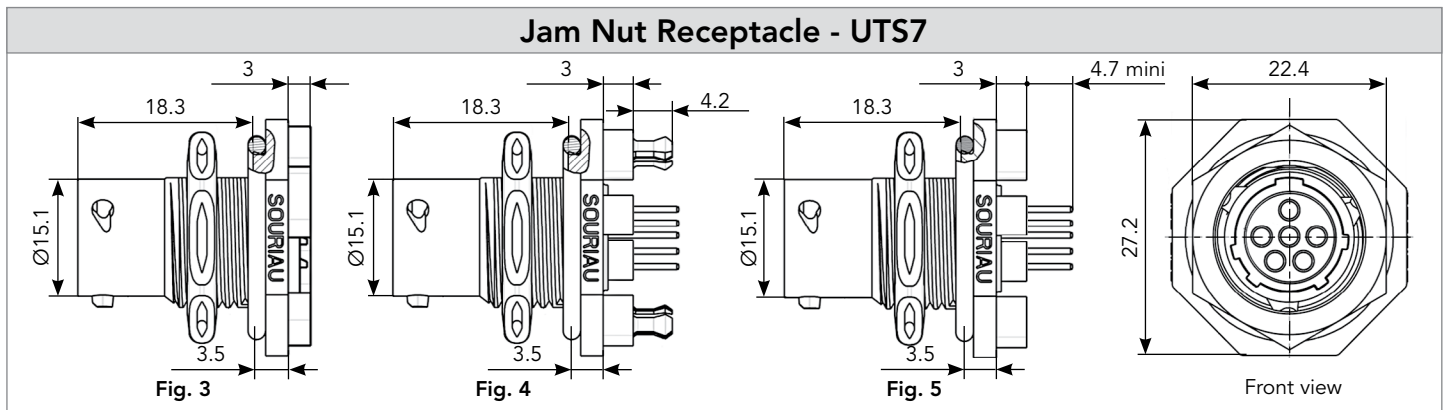
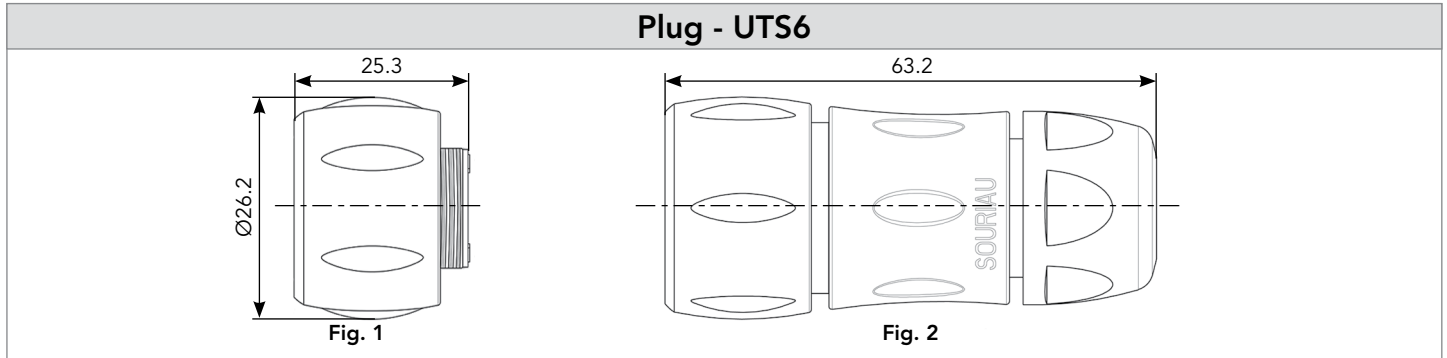
| Overmoulding type | Connector type | Wire size (mm ²) | Harmonized cable part number ⁽¹⁾ | Part number (length: 1m.)* | |
|--------------------|----------------|------------------------------|---|----------------------------|---------------------------|
| | | | | Male plug | Female plug |
| Straight ending | Plug | 0.5 | H05 VV - F 6x0.5 | HAUTS0V10E98PST100 | HAUTS0V10E98SST100 |
| Right angle ending | Plug | 0.5 | H05 VV - F 6x0.5 | HAUTS0V10E98PRA100 | HAUTS0V10E98SRA100 |

(1) Other cable available on demand

* Other lengths available on demand

10E98/10D98 (Shell size 10, 6x#20)

Dimensions



Note: Overmoulded cable assembly dimensions available page 179.

Note: all dimensions are in mm

10E98/10D98 (Shell size 10, 6x#20)

Accessories and Tooling

Jam Nut Sealing Caps



IP68/69K

| Part number |
|-------------|
| UTS10DCG |



IP68/69K Metal terminal

| Part number |
|-------------|
| UTS10DCGR |

Plug Protective Cap



IP68/69K

| Part number |
|-------------|
| UTS610DCG |

Square Flange Sealing Cap



IP68/69K Metal terminal


| Part number |
|-------------|
| UTS10DCGE |

Plastic Protective Cap




| Part numbers | |
|----------------|----------|
| Receptacle cap | Plug cap |
| 85005586A | 85005595 |


Gasket




| Part numbers |
|--------------|
| UTFD12B |

Color Coding Rings

G for Green 

Y for Yellow 

R for Red 

| Part numbers | |
|--------------|------------|
| Receptacles | Plugs |
| UTS710CCRR | UTS610CCRR |
| UTS710CCRY | UTS610CCRY |
| UTS710CCRG | UTS610CCRG |

10E98/10D98 (Shell size 10, 6x#20)

Contacts

| #20 | Contact type | Plating | Cable acceptance (AWG) | Wire stripping length |
|-------------|-------------------------|----------------------------|------------------------|-----------------------|
| Hand solder | Loaded in the connector | Min 0.4μ gold over 0.8μ Ni | 22 to 18 | 5 mm |
| PCB | Machined ⁽¹⁾ | Min 0.4μ gold over 0.8μ Ni | - | - |

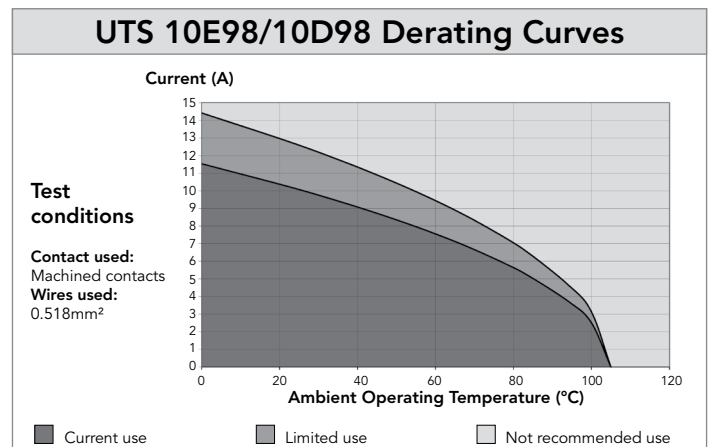
(1): For dimensions see page 169

Electrical Characteristics

UL
6A 250V UL94 HB

CSA
6A 250V UL94 HB

IEC
7A 50V 1.5kV 3



147 - 14E7/14D7 (Shell size 14, 6 + ground, 7x#16)



Connector Part Numbers

| Contact type | Connector type | Backshell | Part number | |
|--|--|---|----------------------|----------------------|
| | | | Male insert | Female insert |
| Crimp contacts supplied separately see page 95 | Square flange receptacle | Without (Fig. 2) | UTS0147P | UTS0147S |
| | Free hanging receptacle | Cable gland and grommet (Fig. 3) | UTS1GJC147P | - |
| | Free hanging receptacle | Nut and grommet (Fig. 4) | UTS1GN147P | - |
| | Free hanging receptacle | Cable gland (Fig. 3) | UTS1JC147P | UTS1JC147S |
| | Plug | Without (Fig. 5) | UTS6147P | UTS6147S |
| | Plug | Cable gland and grommet (Fig. 6) | - | UTS6GJC147S |
| | Plug | Nut and grommet (Fig. 7) | - | UTS6GN147S |
| | Plug | Cable gland (Fig. 6) | UTS6JC147P | UTS6JC147S |
| | Jam nut receptacle | Without (Fig. 8) | UTS7147P | UTS7147S |
| | Jam nut receptacle | Cable gland and grommet (Fig. 10) | UTS7GJC147P | - |
| Jam nut receptacle | Nut and grommet (Fig. 9) | UTS7GN147P | - | |
| PCB contacts loaded see page 95 | Jam nut receptacle | With stand off and hold down clip (Fig. 11) | UTS7147PSEK9 | - |
| Screw contacts loaded | Jam nut receptacle | Without (Fig. 8) | UTS7147PSCR | UTS7147SSCR |
| | Free hanging receptacle | Cable gland (Fig. 3) | UTS1JC147PSCR | - |
| | Plug | Cable gland (Fig. 6) | UTS6JC147PSCR | UTS6JC147SSCR |
| Hand solder electrical contacts loaded see page 95 | Square flange receptacle | Without (Fig. 2) | UTS014E7P | UTS014E7S |
| | Plug | Cable gland (Fig. 6) | UTS6JC14E7P | UTS6JC14E7S |
| | Jam nut receptacle | Without (Fig. 8) | UTS714E7P | UTS714E7S |
| PCB contacts loaded see page 95 | Square flange receptacle | Without (Fig. 1) | UTS014D7P | UTS014D7S |
| | Jam nut receptacle with stand off and hold down clips | Without (Fig. 11) | UTS714D7P32 | UTS714D7S32 |
| | Jam nut receptacle with stand off and without hold down clip | Without (Fig. 11) | UTS714D7P | UTS714D7S |

Sealed unsealed

Overmoulded Cable Assembly Part Numbers

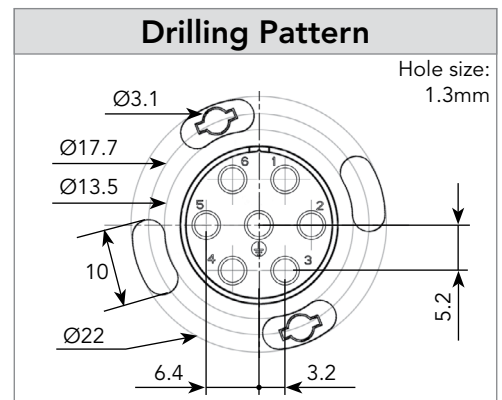
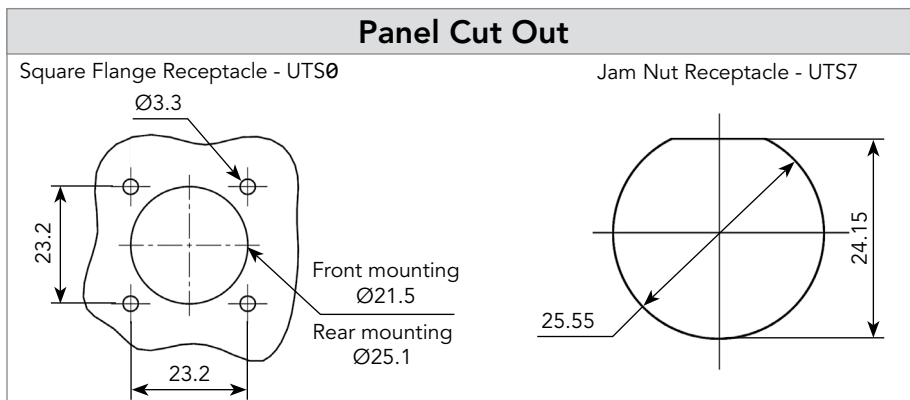
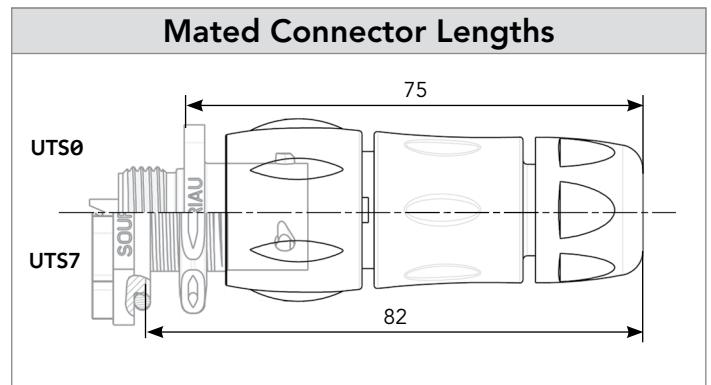
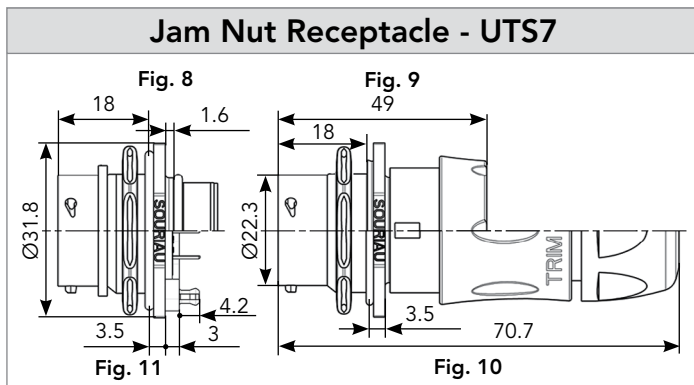
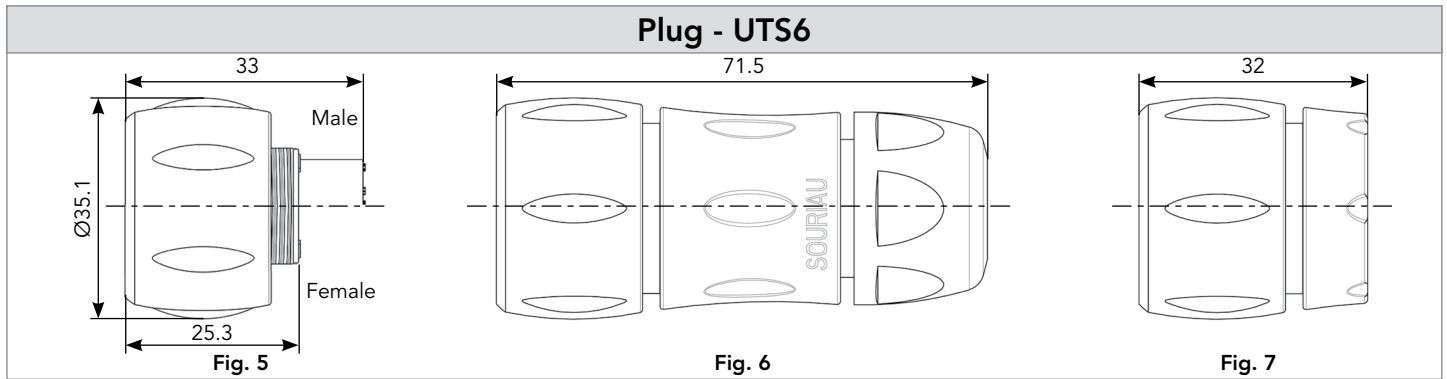
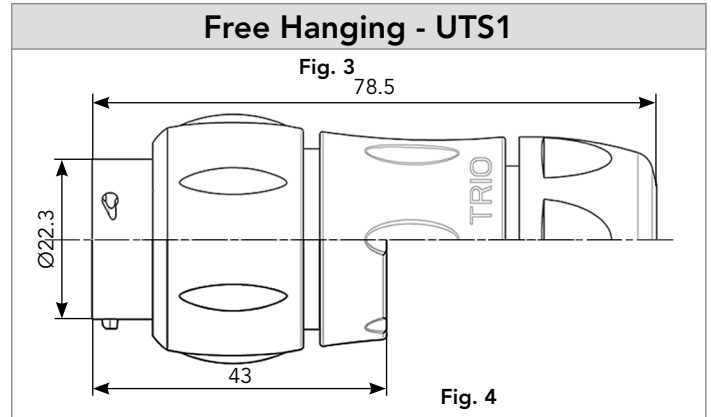
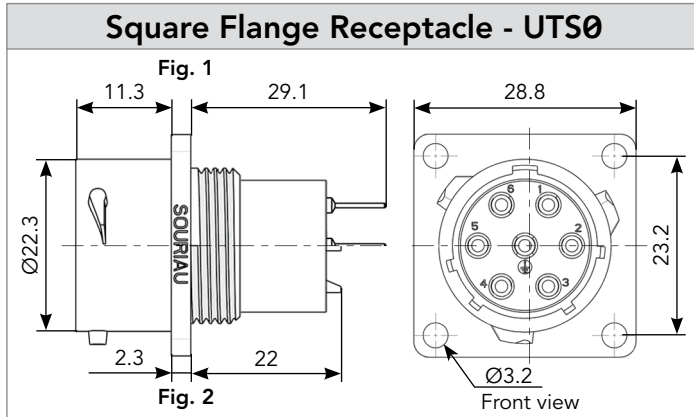
| Overmoulding type | Connector type | Wire size (mm ²) | Harmonized cable part number ⁽¹⁾ | Part number (length: 1m.)* | |
|--------------------|----------------|------------------------------|---|----------------------------|--------------------------|
| | | | | Male plug | Female plug |
| Straight ending | Plug | 1.5 | H05 VV - F 7x1.5 | HAUTS0V147PST100 | HAUTS0V147SST100 |
| | | | | HAUTS0V14E7PST100 | HAUTS0V14E7SST100 |
| Right angle ending | Plug | 1.5 | H05 VV - F 7x1.5 | HAUTS0V147PRA100 | HAUTS0V147SRA100 |
| | | | | HAUTS0V14E7PRA100 | HAUTS0V14E7SRA100 |

(1) Other cable available on demand

* Other lengths available on demand

147 - 14E7/14D7 (Shell size 14, 6 + ground, 7x#16)

Dimensions



Note: Overmoulded cable assembly dimensions available page 179.

Note: all dimensions are in mm

147 - 14E7/14D7 (Shell size 14, 6 + ground, 7x#16)

Accessories and Tooling

Jam Nut Sealing Caps



IP68/69K

| |
|-------------|
| Part number |
| UTS14DCG |



IP68/69K Metal terminal


| |
|-------------|
| Part number |
| UTS14DCGR |

Handle (without Head)



| |
|-------------|
| Part number |
| SHANDLES |

Tool Kit



| |
|-------------|
| Part number |
| TOOLKIT |

Plug Sealing Cap



IP68/69K

| |
|-------------|
| Part number |
| UTS614DCG |


Square Flange Sealing Cap



IP68/69K Metal terminal

| |
|-------------|
| Part number |
| UTS14DCGE |

Crimp Tooling (without Shandles)



| Contacts | Contact size | Part number of head | |
|--------------------------------|-------------------------------------|---------------------|---|
| RM/RC 28M1K ⁽¹⁾ | Standard contacts #16 Ø 1.6mm | S16RCM20* | |
| RM/RC 24M9K ⁽¹⁾ | | S16RCM20* | |
| RM/RC 20M13K ⁽¹⁾ | | S16RCM20* | |
| RM/RC 20M12K ⁽¹⁾ | | S16RCM20* | |
| RM/RC 16M23K ⁽¹⁾ | | S16RCM16* | |
| RM/RC 14M30K ⁽¹⁾ | | S16RCM14* | |
| SM/SC 24ML1TK6 ⁽¹⁾ | | S16SCM20* | |
| SM/SC 20ML1TK6 ⁽¹⁾ | | S16SCM20* | |
| SM/SC 16ML1TK6 ⁽¹⁾ | | S16SCML1* | |
| SM/SC 14ML1TK6 ⁽¹⁾ | | S16SCML1* | |
| SM/SC 16ML11TK6 ⁽¹⁾ | | S16SCML11* | |
| RMDXK10D28K | | Coaxial contacts | M10S1J with die set & stop bushing see page 200 to 204 |
| RCDXK1D28K | | | |
| RM/RC DX60xxD28K | | | |
| RM/RC DXK10D28 + yorK090 | | | |
| RM/RC DX60xxD28 | | | |


(1): Example of plating, for other plating options see page 164
* Heads to be used with handle PN: SHANDLES

Plastic Protective Cap




| Part numbers | |
|----------------|----------|
| Receptacle cap | Plug cap |
| 85005588A | 85005597 |


Gasket




| |
|--------------|
| Part numbers |
| UTFD14B |

Color Coding Rings

G for Green 

Y for Yellow 

R for Red 

| Part numbers | |
|--------------|------------|
| Receptacles | Plugs |
| UTS714CCRR | UTS614CCRR |
| UTS714CCRY | UTS614CCRY |
| UTS714CCRG | UTS614CCRG |



147 - 14E7/14D7 (Shell size 14, 6 + ground, 7x#16)

Contacts

| #16 | Contact type | AWG | Part number | | Max wire Ø | Max insulator Ø |
|-------------|--|---------------------------------|------------------------------|------------------------------|------------|-----------------|
| | | | Male | Female | | |
| Crimp | Machined | 30-28 | RM28M1K ⁽¹⁾ | RC28M1K ⁽¹⁾ | 0.55 | 1.00 |
| | | 26-24 | RM24M9K ⁽¹⁾ | RC24M9K ⁽¹⁾ | 0.80 | 1.60 |
| | | 22-20 | RM20M13K ⁽¹⁾ | RC20M13K ⁽¹⁾ | 1.15 | 1.80 |
| | | 22-20 | RM20M12K ⁽¹⁾ | RC20M12K ⁽¹⁾ | 1.15 | 2.20 |
| | | 20-16 | RM16M23K ⁽¹⁾ | RC16M23K ⁽¹⁾ | 1.80 | 3.20 |
| | | 16-14 | RM14M30K ⁽¹⁾ | RC14M30K ⁽¹⁾ | 2.30 | 3.20 |
| | Stamped & Formed reeled contacts See note (2) for loose piece | 26-24 | SM24M1TK6 ⁽¹⁾⁽²⁾ | SC24M1TK6 ⁽¹⁾⁽²⁾ | - | 0.90-1.60 |
| | | 22-20 | SM20M1TK6 ⁽¹⁾⁽²⁾ | SC20M1TK6 ⁽¹⁾⁽²⁾ | - | 1.20-2.10 |
| | | 18-16 | SM16M1TK6 ⁽¹⁾⁽²⁾ | SC16M1TK6 ⁽¹⁾⁽²⁾ | - | 3.20 |
| | | 18-16 | SM16M11TK6 ⁽¹⁾⁽²⁾ | SC16M11TK6 ⁽¹⁾⁽²⁾ | - | 3.00 |
| 14 | | SM14M1TK6 ⁽¹⁾⁽²⁾ | SC14M1TK6 ⁽¹⁾⁽²⁾ | - | 3.20 | |
| PCB | Machined ⁽³⁾ | - | RM20M12E83K ⁽¹⁾ | RC20M12E84K ⁽¹⁾ | - | - |
| Coaxial | Cable Multipiece | see pages 167, 200 to 206 | RMDXK10D28 | RCDXK1D28 | - | - |
| | Cable Monocrimp | | RMDX60xxD28 | RCDX60xxD28 | - | - |
| | Twisted pair Multipiece | | RMDXK10D28 + york090 | RCDXK1D28 + york090 | - | - |
| | Twisted pair Monocrimp | | RMDX60xxD28 | RCDX60xxD28 | - | - |
| Fiber optic | POF contacts (Plastic Optical Fiber) | - | RMPOF1000 | RCPOF1000B | - | - |
| Hand-solder | Loaded in the connector | 14-18 | - | - | - | - |



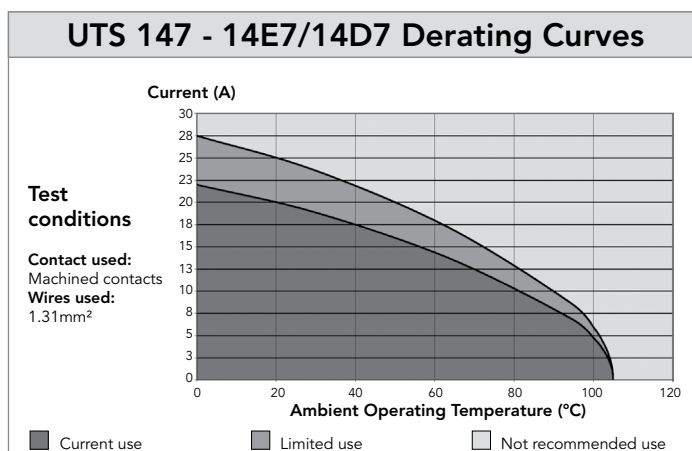
(1): Example of plating, for other plating see page 164 (2): Loose piece contact available if putting L. Example: SM20M1TK6 (3): For dimensions see page 168 Note: all dimensions are in mm

Electrical Characteristics

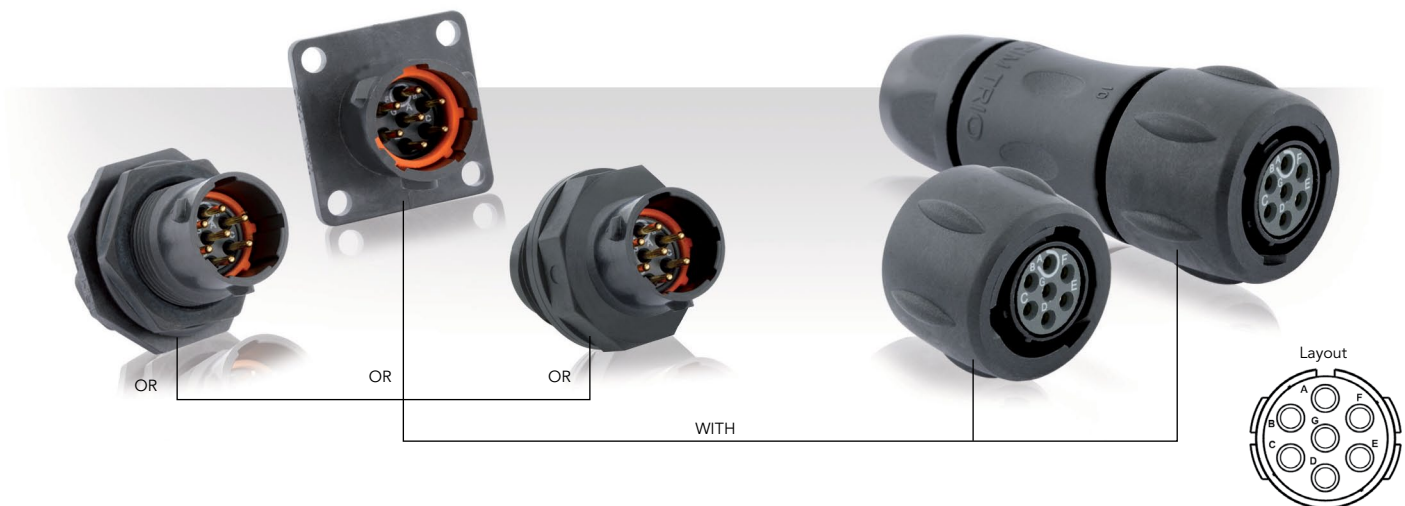
UL
10A 500V UL94 V-0

CSA
7A 500V UL94 V-0

IEC
16A 300V 4kV 3
Temperature elevation: 50°C



10E7/10D7 (Shell size 10, 7x#20)



Connector Part Numbers

| Contact type | Connector type | Backshell | Part number | |
|--|--------------------------|----------------------|---------------------|---------------------|
| | | | Male insert | Female insert |
| Hand solder electrical contacts loaded see page 99 | Square flange receptacle | Without (Fig. 1) | UTS010E7P | UTS010E7S |
| | Plug | Without (Fig. 2) | UTS610E7P | UTS610E7S |
| | | Cable gland (Fig. 3) | UTS6JC10E7P | UTS6JC10E7S |
| | Jam nut receptacle | Without (Fig. 4) | UTS710E7P | UTS710E7S |
| | M16 threaded receptacle | Without (Fig. 5) | UTS710E7PM16 | UTS710E7SM16 |

Possibilities of discrimination/keying methods see page 208

Sealed unmated

Overmoulded Cable Assembly Part Numbers

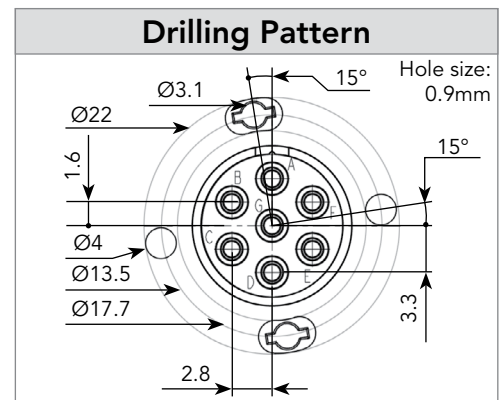
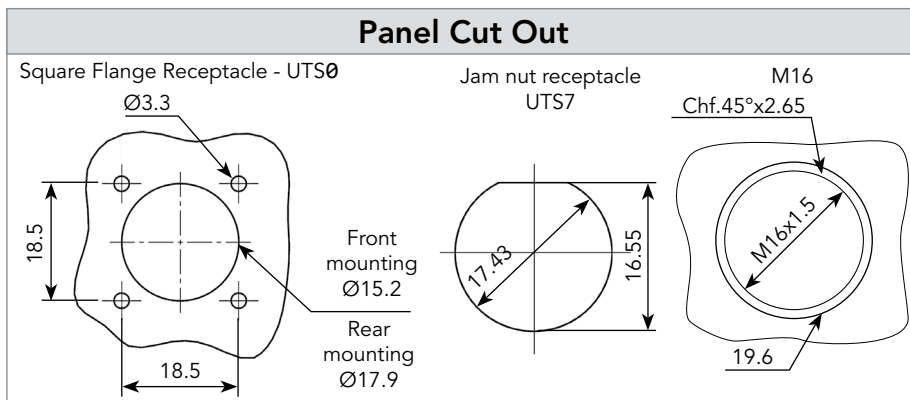
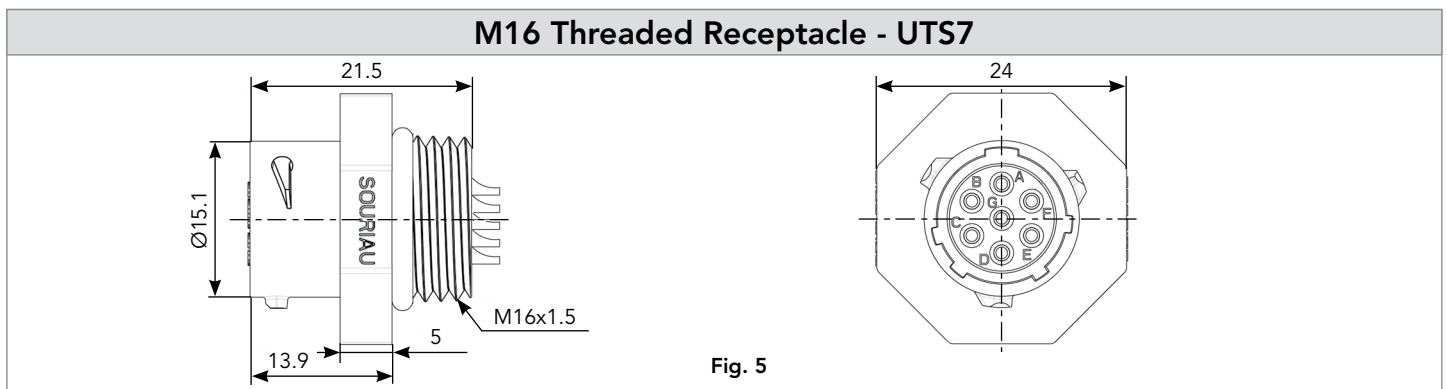
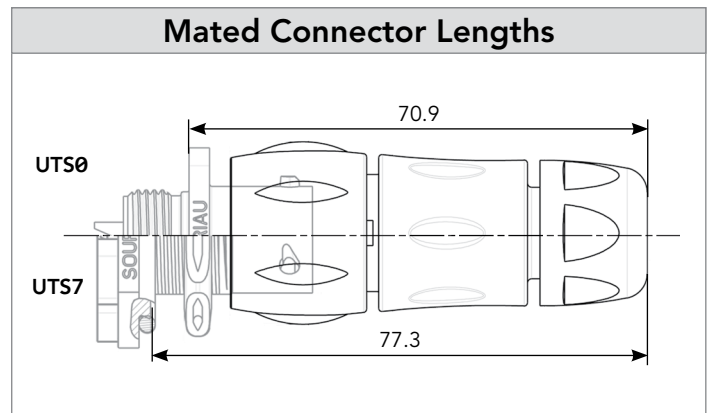
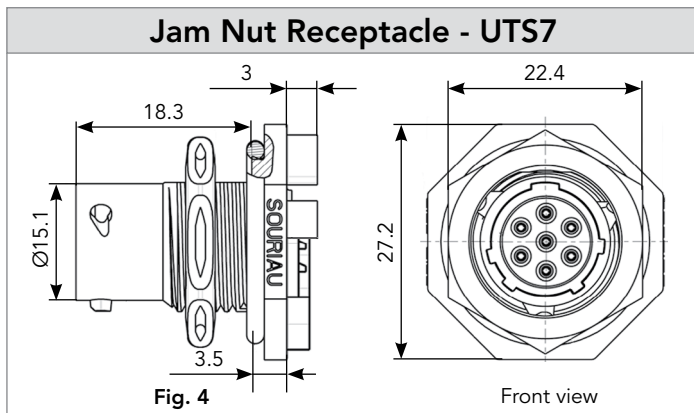
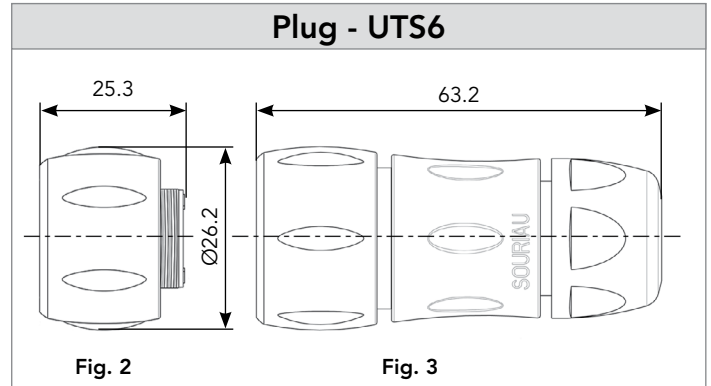
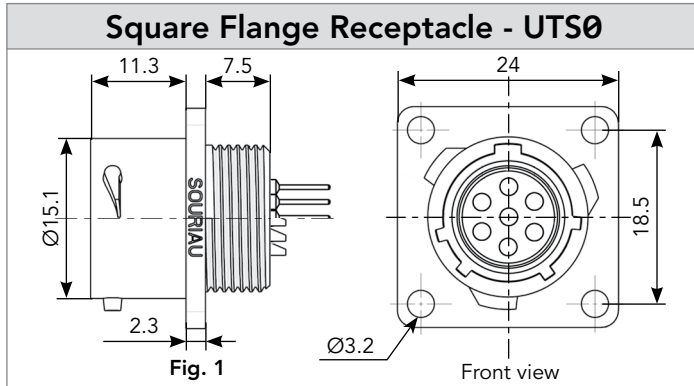
| Overmoulding type | Connector type | Wire size (mm ²) | Harmonized cable part number ⁽¹⁾ | Part number (length: 1m.)* | |
|--------------------|----------------|------------------------------|---|----------------------------|--------------------------|
| | | | | Male plug | Female plug |
| Straight ending | Plug | 0.5 | H05 VV - F 7x0.5 | HAUTS0V10E7PST100 | HAUTS0V10E7SST100 |
| Right angle ending | Plug | 0.5 | H05 VV - F 7x0.5 | HAUTS0V10E7PRA100 | HAUTS0V10E7SRA100 |

(1) Other cable available on demand

* Other lengths available on demand

10E7/10D7 (Shell size 10, 7x#20)

Dimensions



Note: Overmoulded cable assembly dimensions available page 179.

Note: all dimensions are in mm

10E7/10D7 (Shell size 10, 7x#20)

Accessories and Tooling

Jam Nut Sealing Caps



IP68/69K

| Part number |
|-------------|
| UTS10DCG |



IP68/69K Metal terminal

| Part number |
|-------------|
| UTS10DCGR |

Plug Sealing Cap



IP68/69K

| Part number |
|-------------|
| UTS610DCG |

Square Flange Sealing Cap



IP68/69K Metal terminal


| Part number |
|-------------|
| UTS10DCGE |

Plastic Protective Cap




| Part numbers | |
|----------------|----------|
| Receptacle cap | Plug cap |
| 85005586A | 85005595 |


Gasket




| Part numbers |
|--------------|
| UTFD12B |

Color Coding Rings

G for Green 

Y for Yellow 

R for Red 

| Part numbers | |
|--------------|------------|
| Receptacles | Plugs |
| UTS710CCRR | UTS610CCRR |
| UTS710CCRY | UTS610CCRY |
| UTS710CCRG | UTS610CCRG |

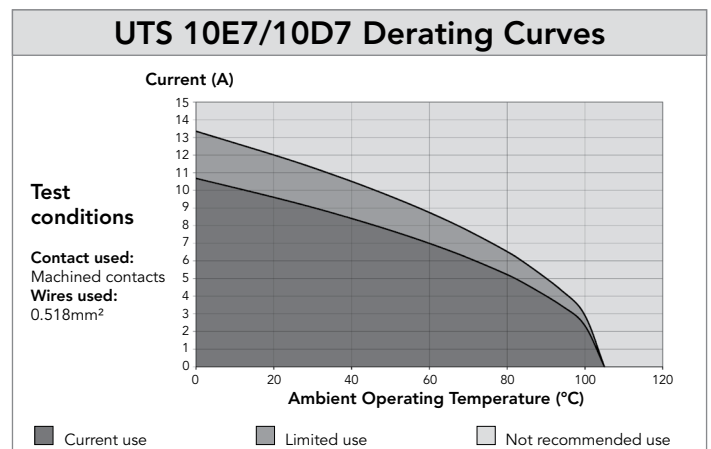
10E7/10D7 (Shell size 10, 7x#20)

Contacts

| #20 | Contact type | Plating | Cable acceptance (AWG) | Wire stripping length |
|-------------|-------------------------|----------------------------|------------------------|-----------------------|
| Hand solder | Loaded in the connector | Min 0.4μ gold over 0.8μ Ni | 22 to 18 | 3.8 mm |

7

| Electrical Characteristics |
|---|
| <p>UL 6A 250V UL94 HB</p> <p>CSA 6A 250V UL94 HB</p> <p>IEC 7A 50V 1.5kV 3</p> |



128 (Shell size 12, 8x#16)



Connector Part Numbers

| Contact type | Connector type | Backshell | Part number | |
|---|--------------------------|--|-----------------------|-----------------------|
| | | | Male insert | Female insert |
| Crimp contacts supplied separately see page 103 | Square flange receptacle | Without (Fig. 1) | UTS0128P | UTS0128S |
| | Free hanging receptacle | Cable gland and grommet (Fig. 2) | UTS1GJC128P | - |
| | Free hanging receptacle | Nut and grommet (Fig. 3) | UTS1GN128P | - |
| | M20 threaded receptacle | Panel gasket and nut (Fig. 8) | UTS7128PM20NUT | UTS7128SM20NUT |
| | | Panel gasket (Fig. 9) | UTS7128PM20 | UTS7128SM20 |
| | Free hanging receptacle | Cable gland (Fig. 2) | UTS1JC128P | UTS1JC128S |
| | Plug | Without (Fig. 10) | UTS6128P | UTS6128S |
| | Plug | Cable gland and grommet (Fig. 11) | - | UTS6GJC128S |
| | Plug | Nut and grommet (Fig. 12) | - | UTS6GN128S |
| | Plug | Cable gland (Fig. 11) | UTS6JC128P | UTS6JC128S |
| | Jam nut receptacle | Without (Fig. 4) | UTS7128P | UTS7128S |
| | Jam nut receptacle | Cable gland and grommet (Fig. 7) | UTS7GJC128P | - |
| Jam nut receptacle | Nut and grommet (Fig. 6) | UTS7GN128P | - | |
| PCB contacts loaded see page 103 | Jam nut receptacle | With stand off and hold down clip (Fig. 5) | UTS7128PSEK9 | - |

Possibilities of discrimination/keying methods see page 208

Overmoulded Cable Assembly Part Numbers

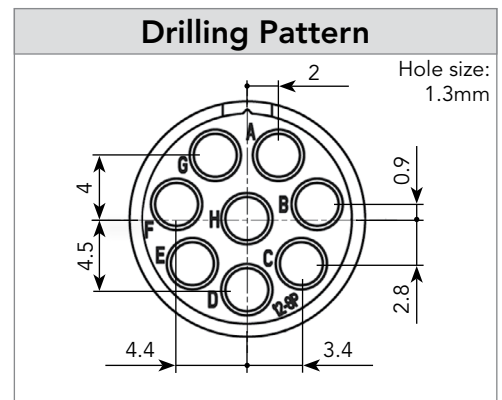
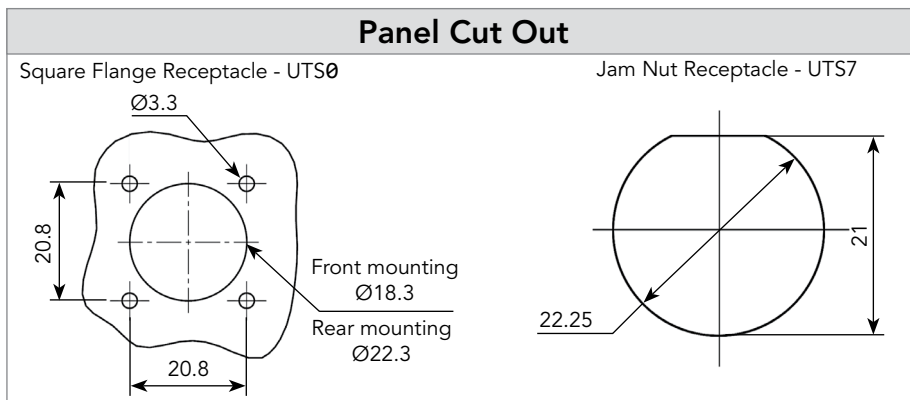
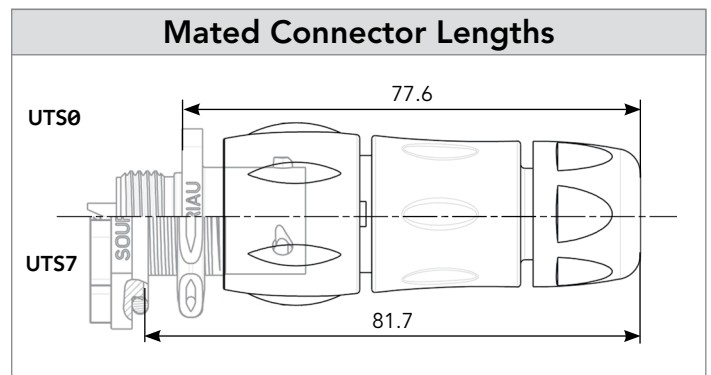
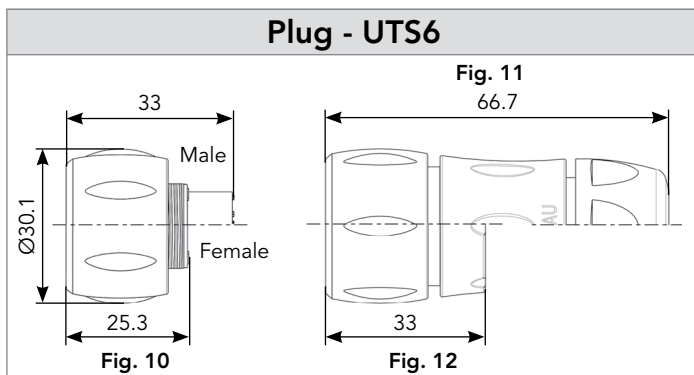
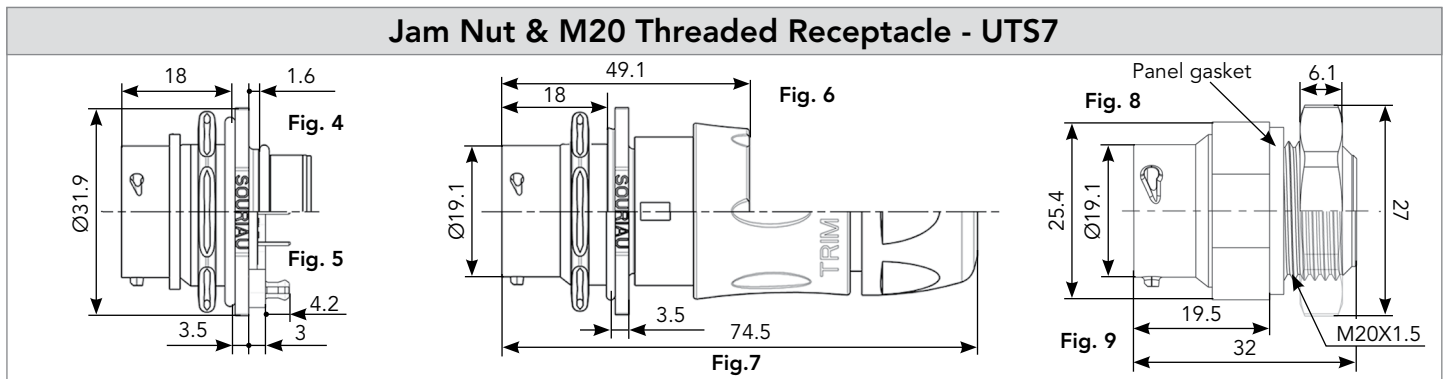
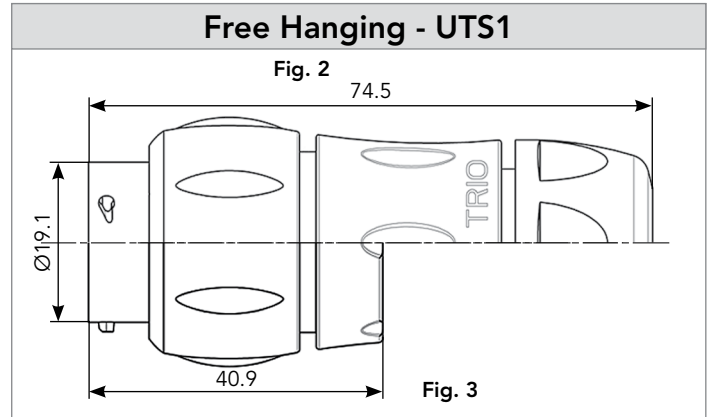
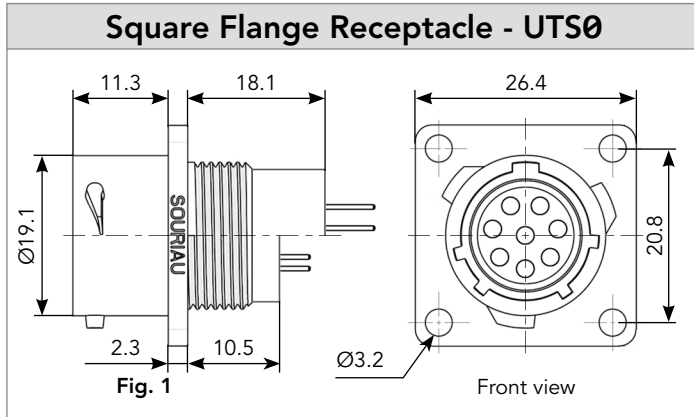
| Overmoulding type | Connector type | Wire size (mm ²) | Harmonized cable part number ⁽¹⁾ | Part number (length: 1m.)* | |
|--------------------|----------------|------------------------------|---|----------------------------|-------------------------|
| | | | | Male plug | Female plug |
| Straight ending | Plug | 1.5 | H05 VV - F 8x1.5 | HAUTS0V128PST100 | HAUTS0V128SST100 |
| Right angle ending | Plug | 1.5 | H05 VV - F 8x1.5 | HAUTS0V128PRA100 | HAUTS0V128SRA100 |

(1) Other cable available on demand

* Other lengths available on demand

128 (Shell size 12, 8x#16)

Dimensions



Note: Overmoulded cable assembly dimensions available page 179.

Note: all dimensions are in mm

128 (Shell size 12, 8x#16)

Accessories and Tooling

Jam Nut Sealing Caps



IP68/69K

| |
|-------------|
| Part number |
| UTS12DCG |



IP68/69K Metal terminal


| |
|-------------|
| Part number |
| UTS12DCGR |

Handle (without Head)



| |
|-------------|
| Part number |
| SHANDLES |

Tool Kit



| |
|-------------|
| Part number |
| TOOLKIT |

Plug Sealing Cap



IP68/69K

| |
|-------------|
| Part number |
| UTS612DCG |


Square Flange Sealing Cap



IP68/69K Metal terminal

| |
|-------------|
| Part number |
| UTS12DCGE |

Crimp Tooling (without Shandles)



| Contacts | Contact size | Part number of head | |
|--------------------------------|-------------------------------------|---------------------|--|
| RM/RC 28M1K ⁽¹⁾ | Standard contacts #16 Ø 1.6mm | S16RCM20* | |
| RM/RC 24M9K ⁽¹⁾ | | S16RCM20* | |
| RM/RC 20M13K ⁽¹⁾ | | S16RCM20* | |
| RM/RC 20M12K ⁽¹⁾ | | S16RCM20* | |
| RM/RC 16M23K ⁽¹⁾ | | S16RCM16* | |
| RM/RC 14M30K ⁽¹⁾ | | S16RCM14* | |
| SM/SC 24ML1TK6 ⁽¹⁾ | | S16SCM20* | |
| SM/SC 20ML1TK6 ⁽¹⁾ | | S16SCM20* | |
| SM/SC 16ML1TK6 ⁽¹⁾ | | S16SCML1* | |
| SM/SC 14ML1TK6 ⁽¹⁾ | | S16SCML1* | |
| SM/SC 16ML11TK6 ⁽¹⁾ | | S16SCML11* | |
| RMDXK10D28K | | Coaxial contacts | M10S1J with die set & stop bushing see page 200 to 204 |
| RCDXK1D28K | | | |
| RM/RC DX60xxD28K | | | |
| RM/RC DXK10D28 + yorK090 | | | |
| RM/RC DX60xxD28 | | | |


⁽¹⁾: Example of plating, for other plating options see page 164
* Heads to be used with handle PN: SHANDLES

Plastic Protective Cap




| Part numbers | |
|----------------|----------|
| Receptacle cap | Plug cap |
| 85005587A | 85005596 |


Gasket




| |
|--------------|
| Part numbers |
| UTFD13B |

Color Coding Rings

G for Green 

Y for Yellow 

R for Red 

| Part numbers | |
|--------------|------------|
| Receptacles | Plugs |
| UTS712CCRR | UTS612CCRR |
| UTS712CCRY | UTS612CCRY |
| UTS712CCRG | UTS612CCRG |



128 (Shell size 12, 8x#16)

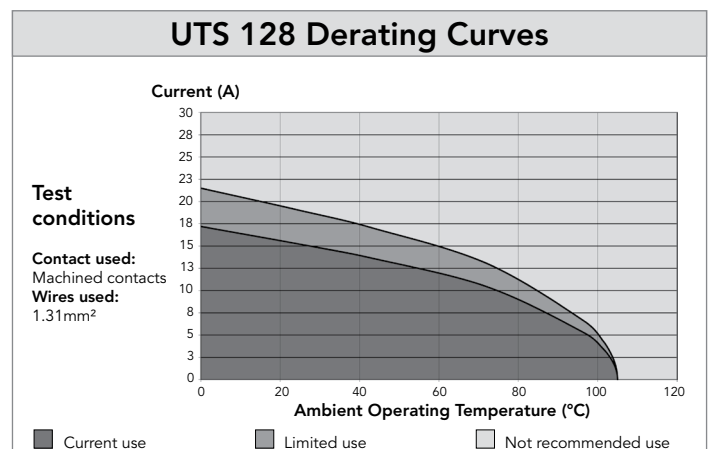
Contacts

| #16 | Contact type | AWG | Part number | | Max wire Ø | Max insulator Ø |
|-------------|--|---------------------------------|------------------------------|------------------------------|------------|-----------------|
| | | | Male | Female | | |
| Crimp | Machined | 30-28 | RM28M1K ⁽¹⁾ | RC28M1K ⁽¹⁾ | 0.55 | 1.00 |
| | | 26-24 | RM24M9K ⁽¹⁾ | RC24M9K ⁽¹⁾ | 0.80 | 1.60 |
| | | 22-20 | RM20M13K ⁽¹⁾ | RC20M13K ⁽¹⁾ | 1.15 | 1.80 |
| | | 22-20 | RM20M12K ⁽¹⁾ | RC20M12K ⁽¹⁾ | 1.15 | 2.20 |
| | | 20-16 | RM16M23K ⁽¹⁾ | RC16M23K ⁽¹⁾ | 1.80 | 3.20 |
| | | 16-14 | RM14M30K ⁽¹⁾ | RC14M30K ⁽¹⁾ | 2.30 | 3.20 |
| | Stamped & Formed reeled contacts See note (2) for loose piece | 26-24 | SM24M1TK6 ⁽¹⁾⁽²⁾ | SC24M1TK6 ⁽¹⁾⁽²⁾ | - | 0.90-1.60 |
| | | 22-20 | SM20M1TK6 ⁽¹⁾⁽²⁾ | SC20M1TK6 ⁽¹⁾⁽²⁾ | - | 1.20-2.10 |
| | | 18-16 | SM16M1TK6 ⁽¹⁾⁽²⁾ | SC16M1TK6 ⁽¹⁾⁽²⁾ | - | 3.20 |
| | | 18-16 | SM16M11TK6 ⁽¹⁾⁽²⁾ | SC16M11TK6 ⁽¹⁾⁽²⁾ | - | 3.00 |
| 14 | | SM14M1TK6 ⁽¹⁾⁽²⁾ | SC14M1TK6 ⁽¹⁾⁽²⁾ | - | 3.20 | |
| PCB | Machined ⁽³⁾ | - | RM20M12E83K ⁽¹⁾ | RC20M12E84K ⁽¹⁾ | - | - |
| Coaxial | Cable Multipiece | see pages 167, 200 to 206 | RMDXK10D28 | RCDXK1D28 | - | - |
| | Cable Monocrimp | | RMDX60xxD28 | RCDX60xxD28 | - | - |
| | Twisted pair Multipiece | | RMDXK10D28 + york090 | RCDXK1D28 + york090 | - | - |
| | Twisted pair Monocrimp | | RMDX60xxD28 | RCDX60xxD28 | - | - |
| Fiber optic | POF contacts (Plastic Optical Fiber) | - | RMPOF1000 | RCPOF1000B | - | - |
| Hand-solder | Loaded in the connector | 14-18 | - | - | - | - |

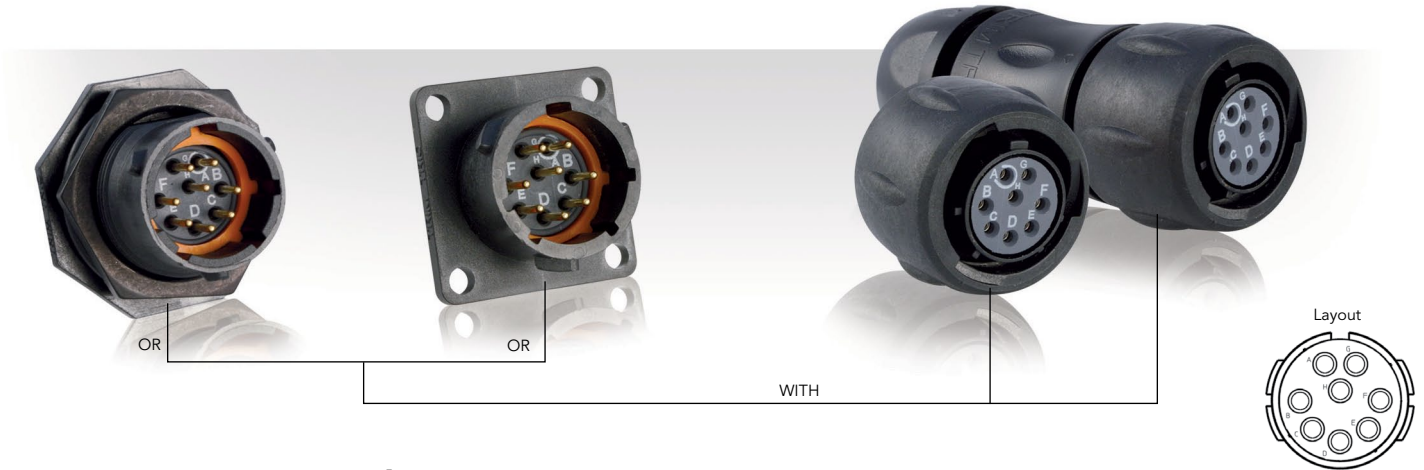
(1): Example of plating, for other plating see page 164 (2): Loose piece contact available if putting L. Example: SM20M1TK6 (3): For dimensions see page 168 Note: all dimensions are in mm

8

| Electrical Characteristics |
|---|
| <p>UL 10A 500V UL94 V-0</p> <p>CSA 7A 500V UL94 V-0</p> <p>IEC 10A 80V 1.5kV 3</p> |



12E8/12D8 (Shell size 12, 8x#20)



Connector Part Numbers

| Contact type | Connector type | Backshell | Part number | |
|---|--|----------------------|--------------------|--------------------|
| | | | Male insert | Female insert |
| Hand solder electrical contacts loaded see page 107 | Square flange receptacle | Without (Fig. 6) | UTS012E8P | UTS012E8S |
| | Plug | Without (Fig. 1) | UTS612E8P | UTS612E8S |
| | | Cable gland (Fig. 2) | UTS6JC12E8P | UTS6JC12E8S |
| | Jam nut receptacle | Without (Fig. 3) | UTS712E8P | UTS712E8S |
| PCB contacts loaded see page 107 | Square flange receptacle | Without (Fig. 7) | UTS012D8P | UTS012D8S |
| | Jam nut receptacle with stand off and with hold down clips | Without (Fig. 4) | UTS712D8P32 | UTS712D8S32 |
| | Jam nut receptacle with stand off and without hold down clip | Without (Fig. 5) | UTS712D8P | UTS712D8S |

Possibilities of discrimination/keying methods see page 208

Sealed unmounted

Overmoulded Cable Assembly Part Numbers

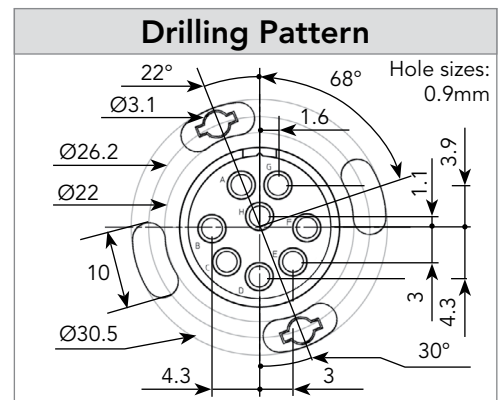
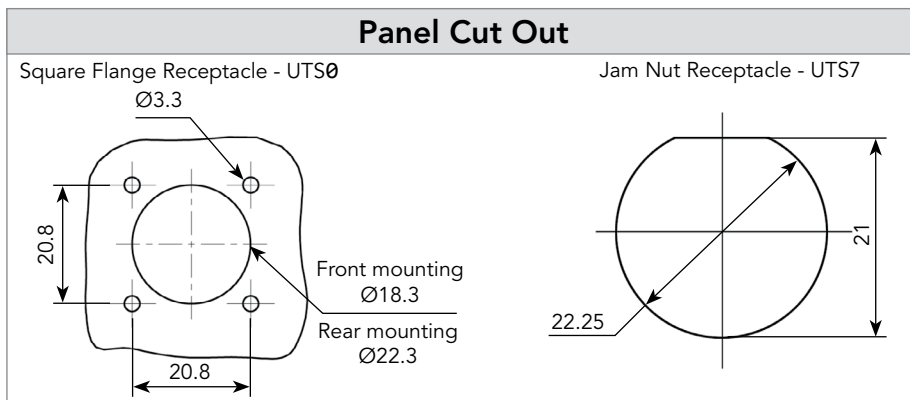
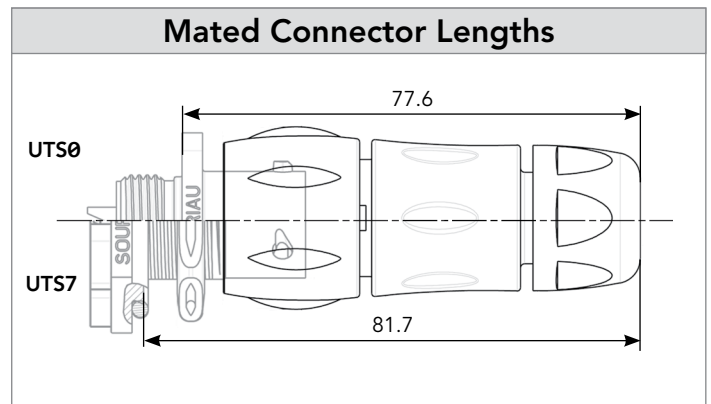
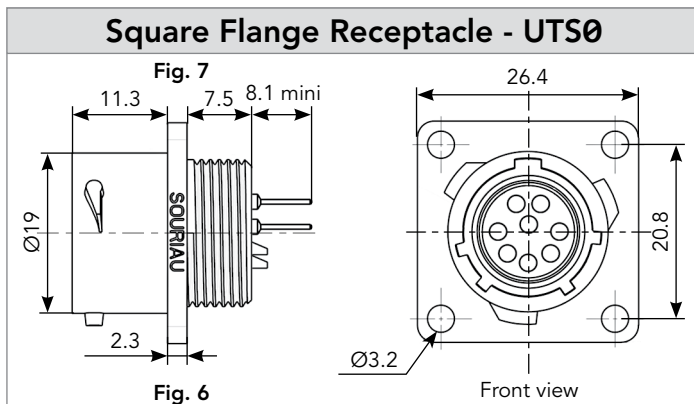
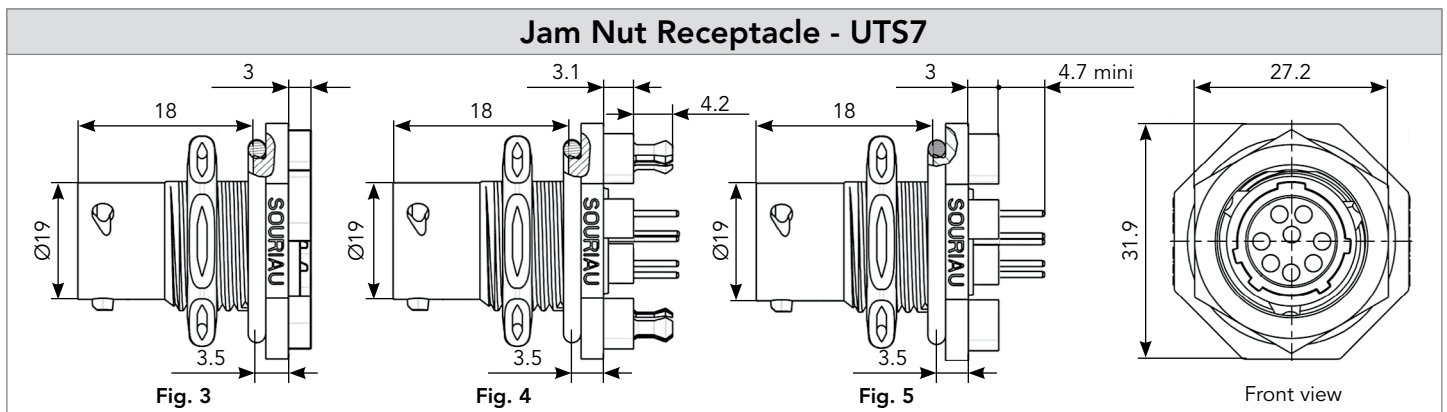
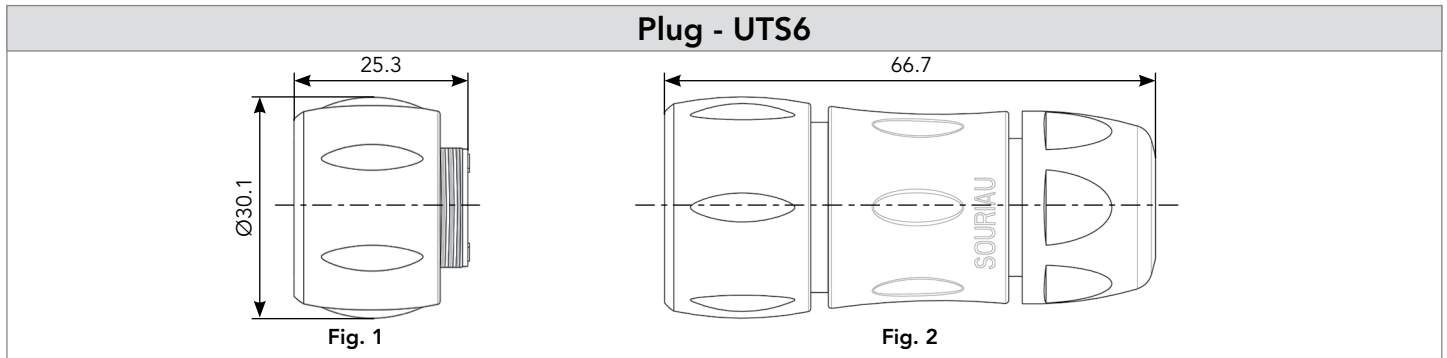
| Overmoulding type | Connector type | Wire size (mm ²) | Harmonized cable part number ⁽¹⁾ | Part number (length: 1m.)* | |
|--------------------|----------------|------------------------------|---|----------------------------|--------------------------|
| | | | | Male plug | Female plug |
| Straight ending | Plug | 0.5 | H05 VV - F 8x0.5 | HAUTS0V12E8PST100 | HAUTS0V12E8SST100 |
| Right angle ending | Plug | 0.5 | H05 VV - F 8x0.5 | HAUTS0V12E8PRA100 | HAUTS0V12E8SRA100 |

(1) Other cable available on demand

* Other lengths available on demand

12E8/12D8 (Shell size 12, 8x#20)

Dimensions



Note: Overmoulded cable assembly dimensions available page 179.

Note: all dimensions are in mm

12E8/12D8 (Shell size 12, 8x#20)

Accessories and Tooling

Jam Nut Sealing Caps



IP68/69K

| Part number |
|-------------|
| UTS12DCG |



IP68/69K Metal terminal

| Part number |
|-------------|
| UTS12DCGR |

Plug Sealing Cap



IP68/69K

| Part number |
|-------------|
| UTS612DCG |

Square Flange Sealing Cap



IP68/69K Metal terminal


| Part number |
|-------------|
| UTS12DCGE |

Plastic Protective Cap




| Part numbers | |
|----------------|----------|
| Receptacle cap | Plug cap |
| 85005587A | 85005596 |


Gasket




| Part numbers |
|--------------|
| UTFD13B |

Color Coding Rings

G for Green 

Y for Yellow 

R for Red 

| Part numbers | |
|--------------|------------|
| Receptacles | Plugs |
| UTS712CCRR | UTS612CCRR |
| UTS712CCRY | UTS612CCRY |
| UTS712CCRG | UTS612CCRG |

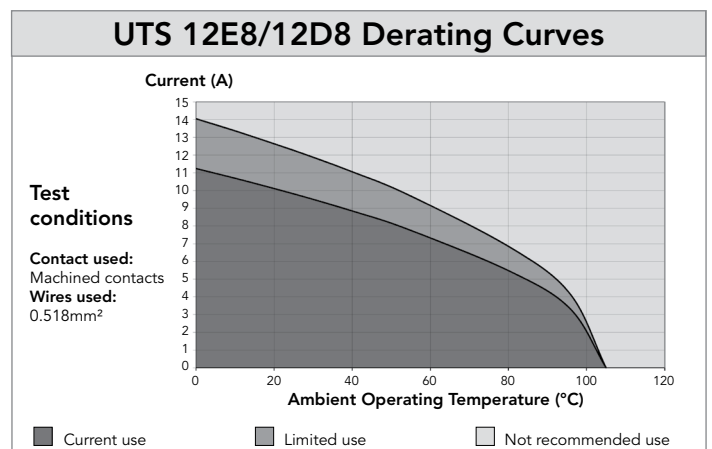
12E8/12D8 (Shell size 12, 8x#20)

Contacts

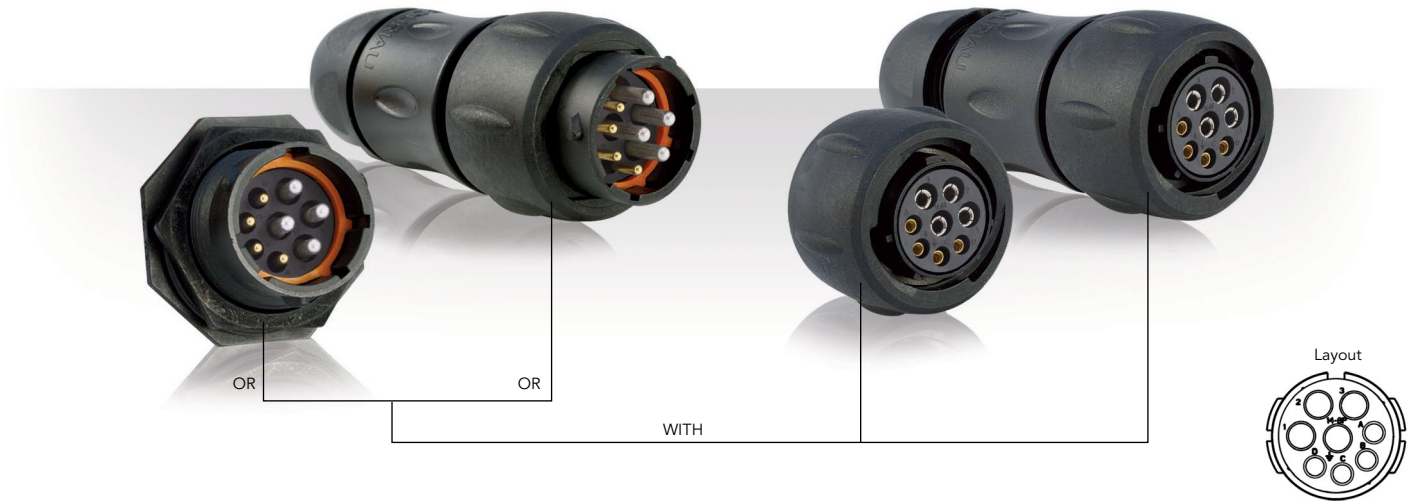
| #20 | Contact type | Plating | Cable acceptance (AWG) | Wire stripping length |
|-------------|-------------------------|----------------------------|------------------------|-----------------------|
| Hand solder | Loaded in the connector | Min 0.4μ gold over 0.8μ Ni | 22 to 18 | 5 mm |
| PCB | Machined ⁽¹⁾ | Min 0.4μ gold over 0.8μ Ni | - | - |

(1): For dimensions see page 169

| Electrical Characteristics |
|---|
| <p>UL 4.5A 250V UL94 HB</p> <p>CSA 4.5A 250V UL94 HB</p> <p>IEC 6A 32V 1.5kV 3</p> |



148 (Shell size 14, 4x#16, 4x#12)

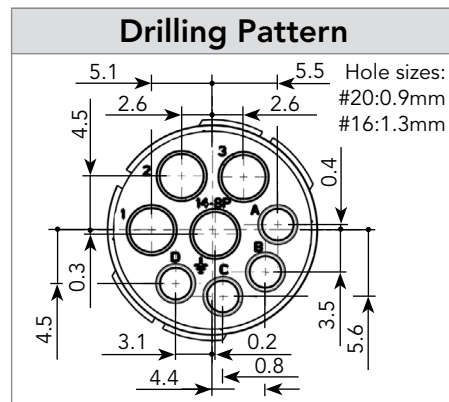
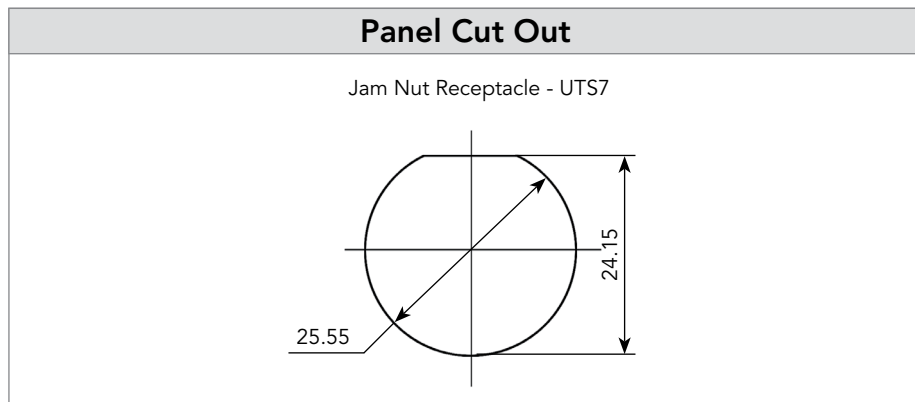
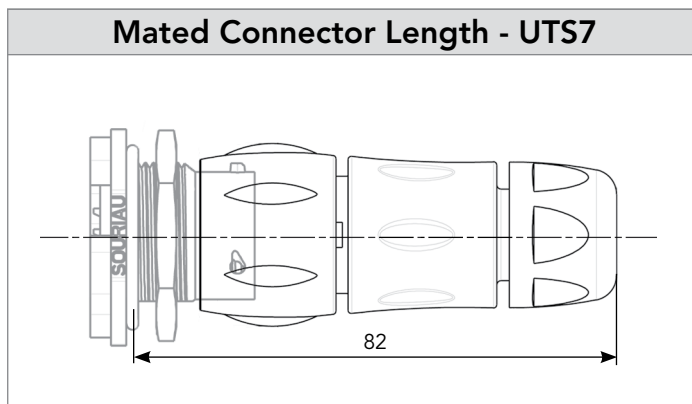
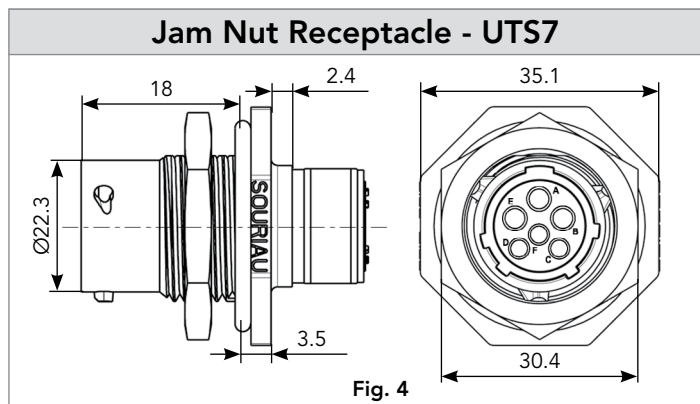
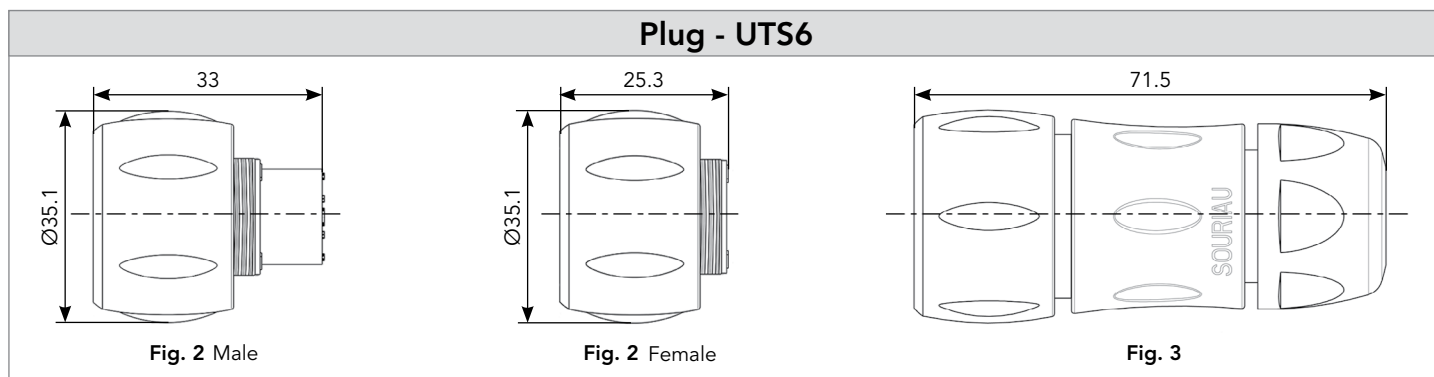
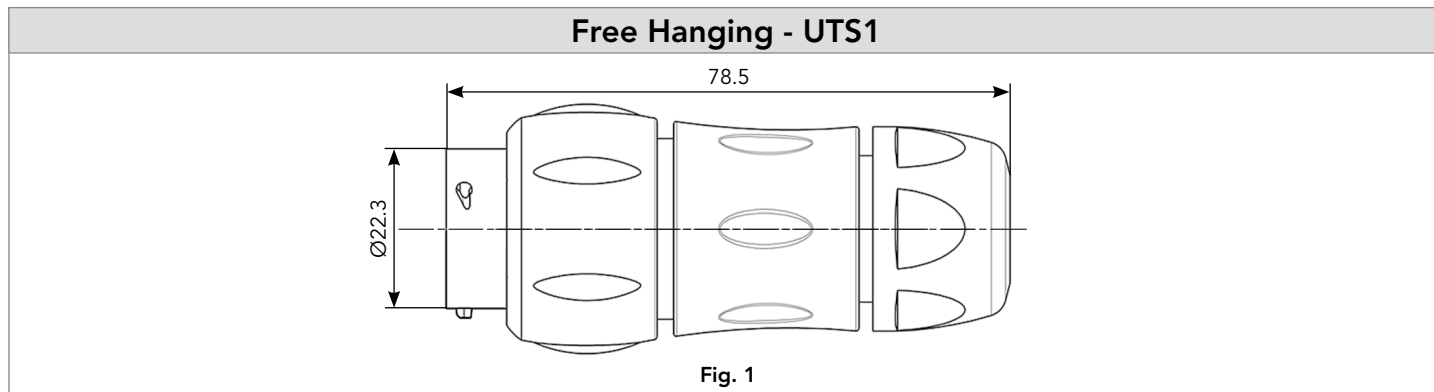


Connector Part Numbers

| Contact type | Connector type | Backshell | Part number | |
|---|-------------------------|----------------------|-------------------|-------------------|
| | | | Male insert | Female insert |
| Crimp contacts supplied separately see page 111 | Free hanging receptacle | Cable gland (Fig. 1) | UTS1JC148P | UTS1JC148S |
| | Plug | Without (Fig. 2) | UTS6148P | UTS6148S |
| | Plug | Cable gland (Fig. 3) | UTS6JC148P | UTS6JC148S |
| | Jam nut receptacle | Without (Fig. 4) | UTS7148P | UTS7148S |

148 (Shell size 14, 4x#16, 4x#12)

Dimensions




Note: all dimensions are in mm

148 (Shell size 14, 4x#16, 4x#12)


Accessories and Tooling

Jam Nut Sealing Caps



IP68/69K

| |
|-------------|
| Part number |
| UTS14DCG |



IP68/69K Metal terminal

| |
|-------------|
| Part number |
| UTS14DCGR |

Plug Sealing Cap



IP68/69K

| |
|-------------|
| Part number |
| UTS614DCG |

Square Flange Sealing Cap



IP68/69K Metal terminal


| |
|-------------|
| Part number |
| UTS14DCGE |

Plastic Protective Cap




| | |
|----------------|----------|
| Part numbers | |
| Receptacle cap | Plug cap |
| 85005588A | 85005597 |


Gasket




| |
|--------------|
| Part numbers |
| UTFD14B |

Color Coding Rings

G for Green 

Y for Yellow 

R for Red 

| | |
|--------------|------------|
| Part numbers | |
| Receptacles | Plugs |
| UTS714CCRR | UTS614CCRR |
| UTS714CCRY | UTS614CCRY |
| UTS714CCRG | UTS614CCRG |

Extraction Tool




| |
|---------------------|
| Part number |
| Extraction tool #12 |
| 51060210924 |




| |
|---------------------|
| Part number |
| Extraction tool #16 |
| VGE10078A |

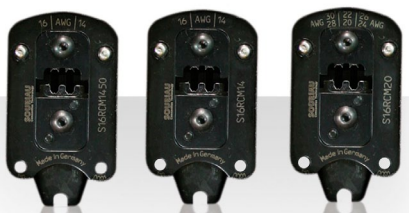
Crimp Tooling #16



| |
|-------------------------|
| Part number |
| SHANDLES (without Head) |




| |
|-------------|
| Part number |
| TOOLKIT |



HEAD (without Shandles)

| Contacts | Contact size | Part number of head |
|--------------------------------|-------------------------------------|---------------------|
| RM/RC 28M1K | Standard contacts #16 Ø 1.6mm | S16RCM20* |
| RM/RC 24M9K | | S16RCM20* |
| RM/RC 20M13K | | S16RCM20* |
| RM/RC 20M12K | | S16RCM20* |
| RM/RC 16M23K | | S16RCM16* |
| RM/RC 14M30K | | S16RCM14* |
| SM/SC 24ML1TK6 ⁽¹⁾ | | S16SCM20* |
| SM/SC 20ML1TK6 ⁽¹⁾ | | S16SCM20* |
| SM/SC 16ML1TK6 ⁽¹⁾ | | S16SCML1* |
| SM/SC 14ML1TK6 ⁽¹⁾ | | S16SCML1* |
| SM/SC 16ML11TK6 ⁽¹⁾ | S16SCML11* | |

(1): Example of plating, for other plating see page 164
*: Heads to be used with handle PN: SHANDLES



Handle + Head = Complete set

Crimp Tooling #12



| |
|-----------------------|
| Part number hand tool |
| M317 |



| |
|------------------------------|
| Part number |
| positioner + locator setting |
| VGE10078A |

148 (Shell size 14, 4x#16, 4x#12)

Contacts

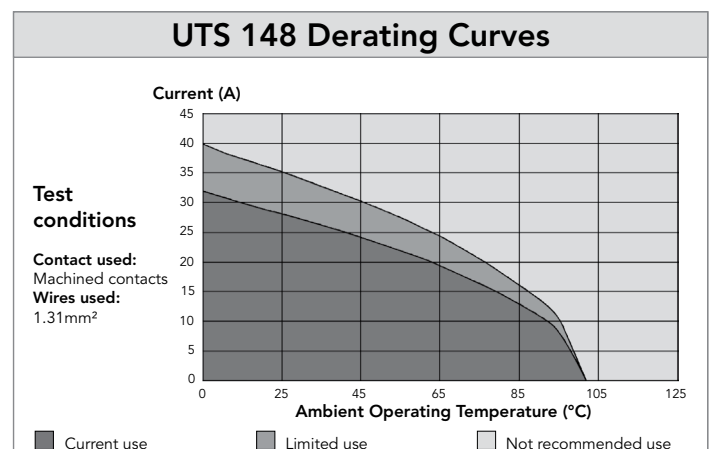
| #16 | Contact type | AWG | Part number | | Max wire Ø | Max insulator Ø |
|---------|--|---------------------------------|------------------------------|------------------------------|------------|-----------------|
| | | | Male | Female | | |
| Crimp | Machined | 30-28 | RM28M1K ⁽¹⁾ | RC28M1K ⁽¹⁾ | 0.55 | 1.00 |
| | | 26-24 | RM24M9K ⁽¹⁾ | RC24M9K ⁽¹⁾ | 0.80 | 1.60 |
| | | 22-20 | RM20M13K ⁽¹⁾ | RC20M13K ⁽¹⁾ | 1.15 | 1.80 |
| | | 22-20 | RM20M12K ⁽¹⁾ | RC20M12K ⁽¹⁾ | 1.15 | 2.20 |
| | | 20-16 | RM16M23K ⁽¹⁾ | RC16M23K ⁽¹⁾ | 1.80 | 3.20 |
| | | 16-14 | RM14M30K ⁽¹⁾ | RC14M30K ⁽¹⁾ | 2.30 | 3.20 |
| | Stamped & Formed reeled contacts See note (2) for loose piece | 26-24 | SM24M1TK6 ⁽¹⁾⁽²⁾ | SC24M1TK6 ⁽¹⁾⁽²⁾ | - | 0.90-1.60 |
| | | 22-20 | SM20M1TK6 ⁽¹⁾⁽²⁾ | SC20M1TK6 ⁽¹⁾⁽²⁾ | - | 1.20-2.10 |
| | | 18-16 | SM16M1TK6 ⁽¹⁾⁽²⁾ | SC16M1TK6 ⁽¹⁾⁽²⁾ | - | 3.20 |
| | | 18-16 | SM16M11TK6 ⁽¹⁾⁽²⁾ | SC16M11TK6 ⁽¹⁾⁽²⁾ | - | 3.00 |
| 14 | | SM14M1TK6 ⁽¹⁾⁽²⁾ | SC14M1TK6 ⁽¹⁾⁽²⁾ | - | 3.20 | |
| Coaxial | Cable Multipiece | see pages 167, 200 to 206 | RMDXK10D28 | RCDXK1D28 | - | - |
| | Cable Monocrimp | | RMDX60xxD28 | RCDX60xxD28 | - | - |
| | Twisted pair Multipiece | | RMDXK10D28 + york090 | RCDXK1D28 + york090 | - | - |
| | Twisted pair Monocrimp | | RMDX60xxD28 | RCDX60xxD28 | - | - |
| #12 | | | | | | |
| Crimp | Machined | 22 | 82911457NA ⁽¹⁾ | 82911456A ⁽¹⁾ | 0.87 | 4.90 |
| | | 20 | 82911459NA ⁽¹⁾ | 82911458A ⁽¹⁾ | 1.12 | |
| | | 18 | 82911461NA ⁽¹⁾ | 82911460A ⁽¹⁾ | 1.42 | |
| | | 16 | 82911463NA ⁽¹⁾ | 82911462A ⁽¹⁾ | 1.72 | |
| | | 14 | 82911465NA ⁽¹⁾ | 82911464A ⁽¹⁾ | 2.22 | |
| | | 12 | 82911467NA ⁽¹⁾ | 82911466A ⁽¹⁾ | 2.82 | |

(1): Example of plating, for other plating see page 164

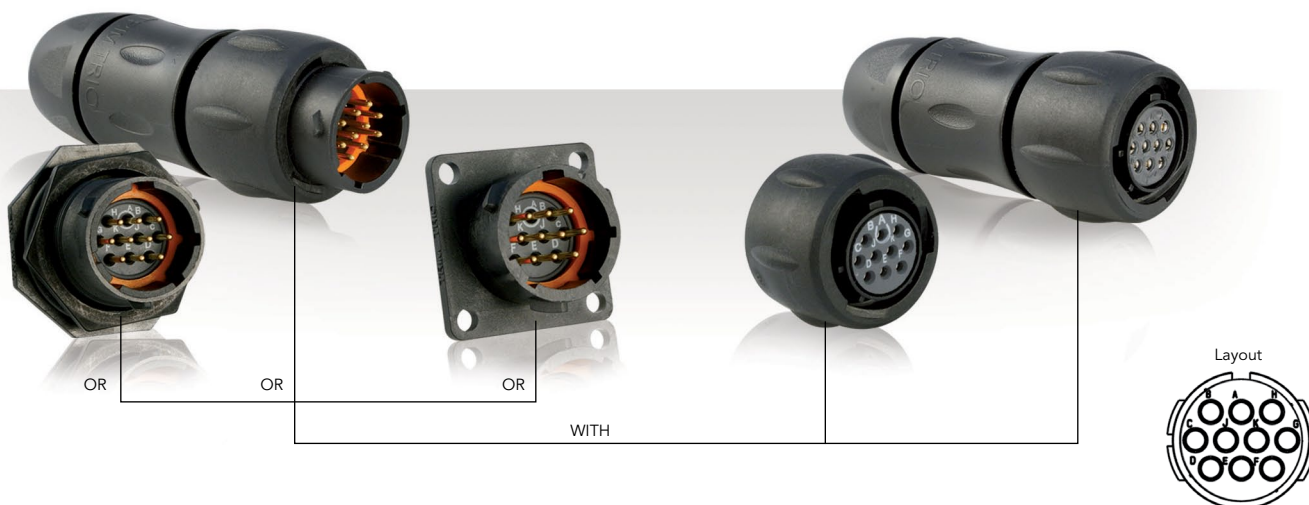
(2): Loose piece contact available if putting L. Example: SM20ML1TK6

Note: all dimensions are in mm

| Electrical Characteristics |
|---|
| <p>UL 25A 250V UL94 V-0</p> <p>CSA 17A 230V UL94 V-0</p> <p>IEC 17A 230V 1.5kV 3</p> |



1210 - 12E10/12D10 (Shell size 12, 10x#20)



Connector Part Numbers

| Contact type | Connector type | Backshell | Part number | |
|---|--|----------------------|---------------------|---------------------|
| | | | Male insert | Female insert |
| Crimp contacts supplied separately see page 115 | Free hanging receptacle | Cable gland (Fig. 1) | UTS1JC1210P | UTS1JC1210S |
| | Plug | Without (Fig. 2) | UTS61210P | UTS61210S |
| | Plug | Cable gland (Fig. 3) | UTS6JC1210P | UTS6JC1210S |
| | Jam nut receptacle | Without (Fig. 4) | UTS71210P | UTS71210S |
| Hand solder electrical contacts loaded see page 115 | Square flange receptacle | Without (Fig. 6) | UTS012E10P | UTS012E10S |
| | Plug | Without (Fig. 2) | UTS612E10P | UTS612E10S |
| | | Cable gland (Fig. 3) | UTS6JC12E10P | UTS6JC12E10S |
| | Jam nut receptacle | Without (Fig. 5) | UTS712E10P | UTS712E10S |
| PCB contacts loaded see page 115 | Square flange receptacle | Without (Fig. 7) | UTS012D10P | UTS012D10S |
| | Jam nut receptacle with stand off and with hold down clips | Without (Fig. 6) | UTS712D10P32 | UTS712D10S32 |
| | Jam nut receptacle with stand off and without hold down clip | Without (Fig. 7) | UTS712D10P | UTS712D10S |
| | | | | |

Possibilities of discrimination/keying methods see page 208

Sealed unmated

Overmoulded Cable Assembly Part Numbers

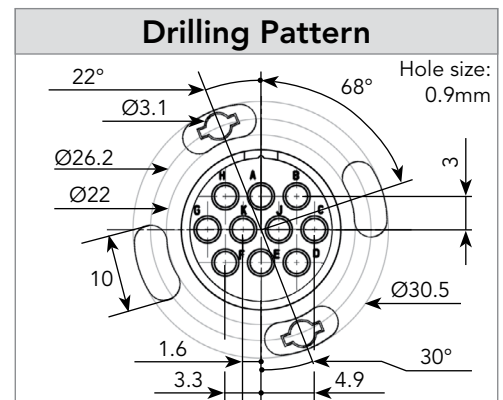
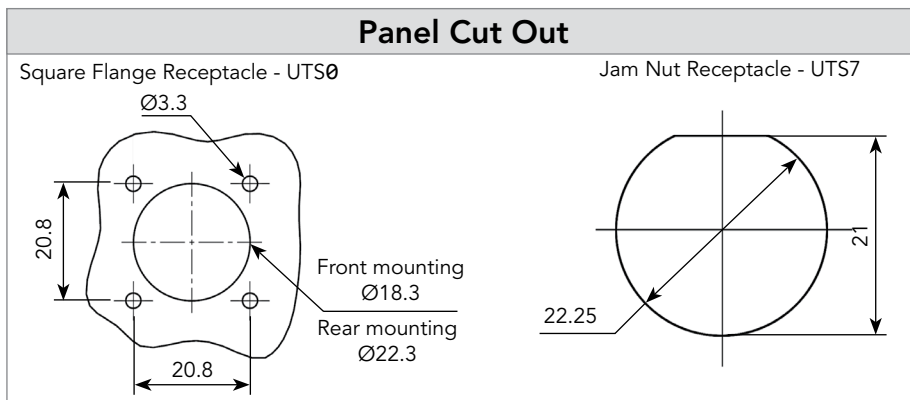
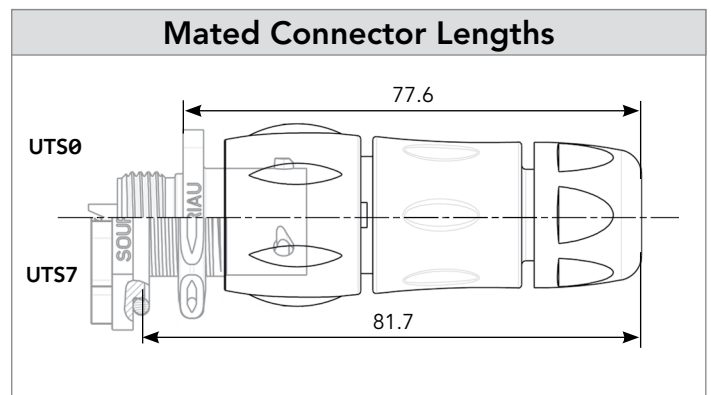
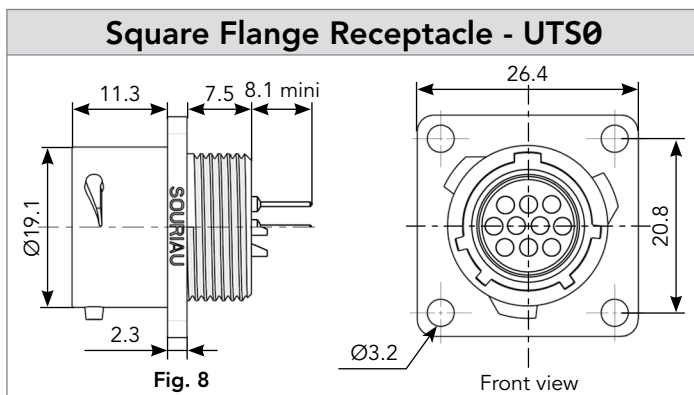
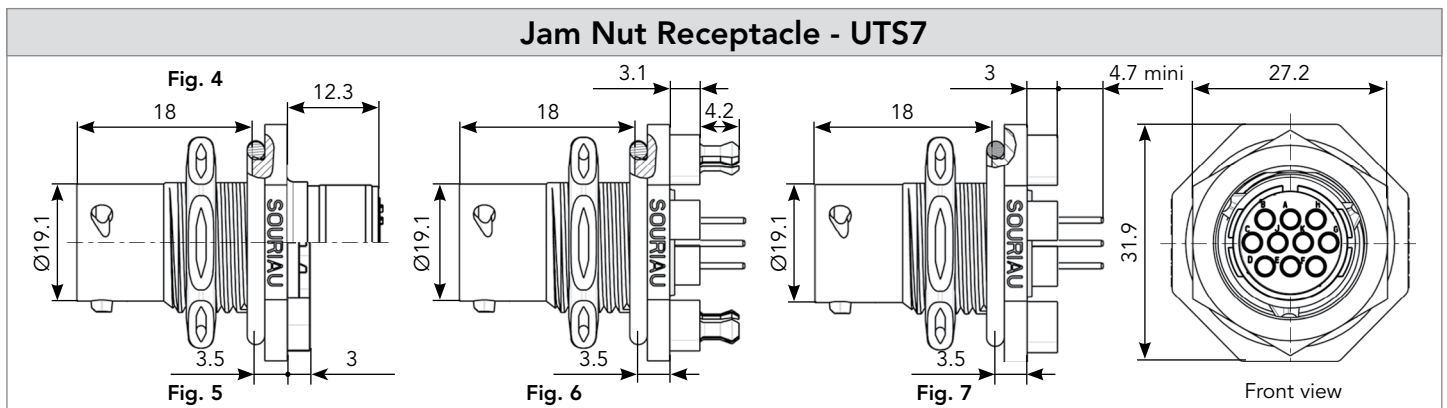
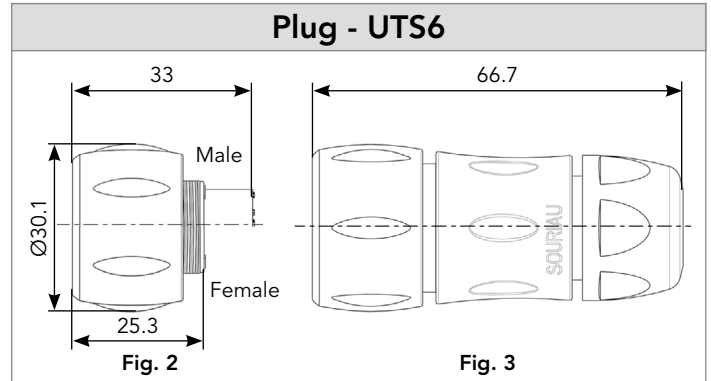
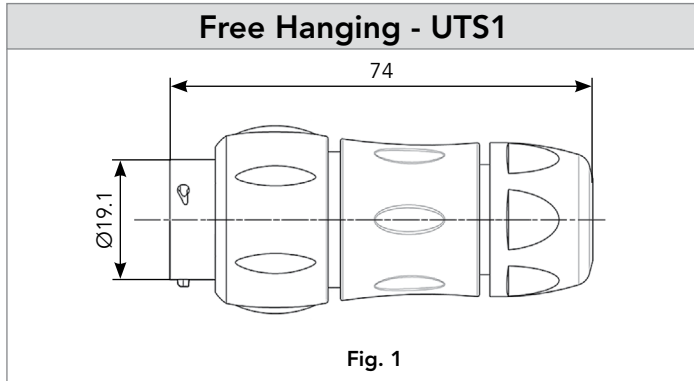
| Overmoulding type | Connector type | Wire size (mm ²) | Harmonized cable part number ⁽¹⁾ | Part number (length: 1m.)* | |
|--------------------|----------------|------------------------------|---|----------------------------|---------------------------|
| | | | | Male plug | Female plug |
| Straight ending | Plug | 0.5 | H05 VV - F 10x0.5 | HAUTS0V1210PST100 | HAUTS0V1210SST100 |
| | | | | HAUTS0V12E10PST100 | HAUTS0V12E10SST100 |
| Right angle ending | Plug | 0.5 | H05 VV - F 10x0.5 | HAUTS0V1210PRA100 | HAUTS0V1210SRA100 |
| | | | | HAUTS0V12E10PRA100 | HAUTS0V12E10SRA100 |

(1) Other cable available on demand

* Other lengths available on demand

1210 - 12E10/12D10 (Shell size 12, 10x#20)

Dimensions



Note: Overmoulded cable assembly dimensions available page 179.

Note: all dimensions are in mm

1210 - 12E10/12D10 (Shell size 12, 10x#20)

Accessories and Tooling

Jam Nut Sealing Caps



IP68/69K

| |
|-------------|
| Part number |
| UTS12DCG |



IP68/69K Metal terminal


| |
|-------------|
| Part number |
| UTS12DCGR |

Handle (without Head)



| |
|-------------|
| Part number |
| SHANDLES |

Tool Kit



| |
|-------------|
| Part number |
| TOOLKIT |

Plug Sealing Cap



IP68/69K

| |
|-------------|
| Part number |
| UTS612DCG |

Square Flange Sealing Cap



IP68/69K Metal terminal

| |
|-------------|
| Part number |
| UTS12DCGE |

Crimp Tooling (without Shandles)



| Contacts | Contact size | Part number of head |
|----------------------------|-----------------------------------|---------------------|
| RM/RC 24W3K ⁽¹⁾ | Standard contacts #20 Ø 1mm | S20RCM* |
| RM/RC 20W3K ⁽¹⁾ | | S20RCM* |
| RM/RC 18W3K ⁽¹⁾ | | S20RCM* |
| SM/SC 24WL3S | | S20SCM20* |
| SM/SC 20WL3S | | S20SCM20* |


(1): Example of plating, for other plating see page 164
*: Heads to be used with handle PN: SHANDLES

Plastic Protective Cap

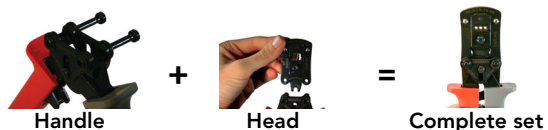


| Part numbers | |
|----------------|----------|
| Receptacle cap | Plug cap |
| 85005587A | 85005596 |


Gasket





| |
|--------------|
| Part numbers |
| UTFD13B |



Color Coding Rings

G for Green 

Y for Yellow 

R for Red 

| Part numbers | |
|--------------|------------|
| Receptacles | Plugs |
| UTS712CCRR | UTS612CCRR |
| UTS712CCRY | UTS612CCRY |
| UTS712CCRG | UTS612CCRG |

Extraction Tool #20



| |
|-------------|
| Part number |
| RX20D44 |

1210 - 12E10/12D10 (Shell size 12, 10x#20)

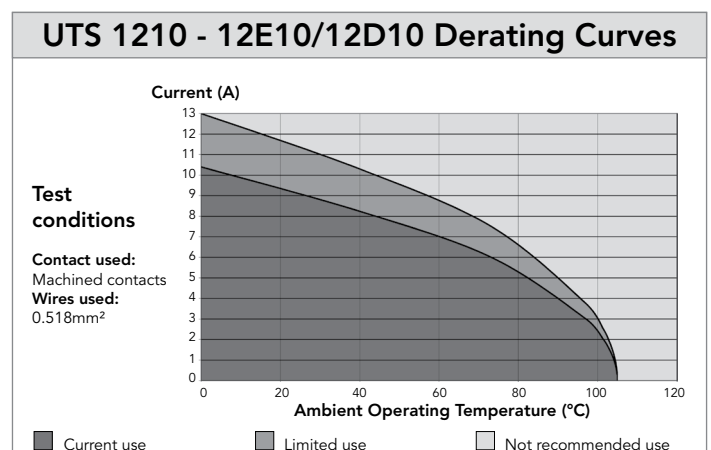
Contacts

| #20 | Contact type | Wire size | | Part number | | Max wire Ø | Max insulator Ø |
|-------|--|-------------------------|-----------------|--------------------------|--------------------------|------------|-----------------|
| | | AWG | mm ² | Male | Female | | |
| Crimp | Machined | 26-24 | 0.13-0.25 | RM24W3K ⁽¹⁾ | RC24W3K ⁽¹⁾ | 0.80 | 1.60 |
| | | 22-20 | 0.32-0.52 | RM20W3K ⁽¹⁾ | RC20W3K ⁽¹⁾ | 1.15 | 1.60 |
| | | 20-18 | 0.50-0.93 | RM18W3K ⁽¹⁾ | RC18W3K ⁽¹⁾ | 1.30 | 2.10 |
| | Stamped & Formed reeled contacts See note (2) for loose piece | 26-24 | 0.13-0.25 | SM24W3TK6 ⁽²⁾ | SC24W3TK6 ⁽²⁾ | - | 0.90-1.60 |
| | | 26-24 | 0.13-0.25 | SM24W3S26 ⁽²⁾ | SC24W3S25 ⁽²⁾ | - | 0.90-1.60 |
| | | 22-20 | 0.32-0.52 | SM20W3TK6 ⁽²⁾ | SC20W3TK6 ⁽²⁾ | - | 1.20-2.10 |
| | | 22-20 | 0.32-0.52 | SM20W3S26 ⁽²⁾ | SC20W3S25 ⁽²⁾ | - | 1.20-2.10 |
| | PCB | Machined ⁽³⁾ | - | - | RMW5016K | RCW5016K | - |

(1): Example of plating, for other plating see page 164 (2): Loose piece contact available if putting L. Example: SM20WL3TK6 (3): For dimensions see page 168 Note: all dimensions are in mm

| #20 | Contact type | Plating | Cable acceptance (AWG) | Wire stripping length |
|-------------|-------------------------|----------------------------|------------------------|-----------------------|
| Hand solder | Loaded in the connector | Min 0.4µ gold over 0.8µ Ni | 22 to 18 | 3.8 mm |

| Electrical Characteristics | |
|--|--|
| UTS 1210 UL 5A 250V UL94 V-0 | UTS 12E10/12D10 UL 4.5A 250V UL94 HB |
| CSA 4A 250V UL94 V-0 | CSA 4.5A 250V UL94 HB |
| IEC 6A 50V 1.5kV 3 | |



1412 (Shell size 14, 12x#16)



Connector Part Numbers

| Contact type | Connector type | Backshell | Part number | |
|---|--------------------------|----------------------------------|---------------------|---------------------|
| | | | Male insert | Female insert |
| Crimp contacts supplied separately see page 119 | Square flange receptacle | Without (Fig. 1) | UTS01412P | UTS01412S |
| | Free hanging receptacle | Cable gland and grommet (Fig. 2) | UTS1GJC1412P | - |
| | Free hanging receptacle | Nut and grommet (Fig. 3) | UTS1GN1412P | - |
| | Free hanging receptacle | Cable gland (Fig. 2) | UTS1JC1412P | UTS1JC1412S |
| | Plug | Without (Fig. 4) | UTS61412P | UTS61412S |
| | Plug | Cable gland and grommet (Fig. 5) | - | UTS6GJC1412S |
| | Plug | Nut and grommet (Fig. 6) | - | UTS6GN1412S |
| | Plug | Cable gland (Fig. 5) | UTS6JC1412P | UTS6JC1412S |
| | Jam nut receptacle | Without (Fig. 7) | UTS71412P | UTS71412S |
| | Jam nut receptacle | Cable gland and grommet (Fig. 9) | UTS7GJC1412P | - |
| | Jam nut receptacle | Nut and grommet (Fig. 8) | UTS7GN1412P | - |
| PCB contacts supplied separately see page 119 | Square flange receptacle | Without (Fig. 1) | UTS01412P | UTS01412S |
| | Jam nut receptacle | Without (Fig. 7) | UTS71412P | UTS71412S |

Possibilities of discrimination/keying methods see page 208

Overmoulded Cable Assembly Part Numbers

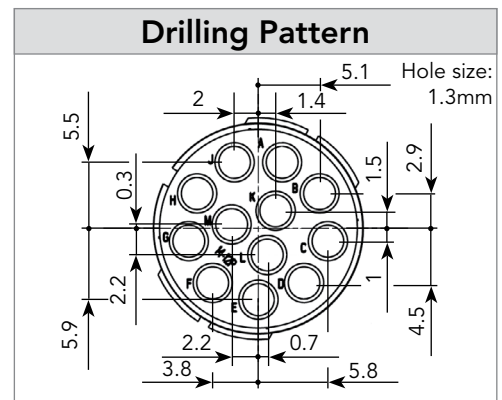
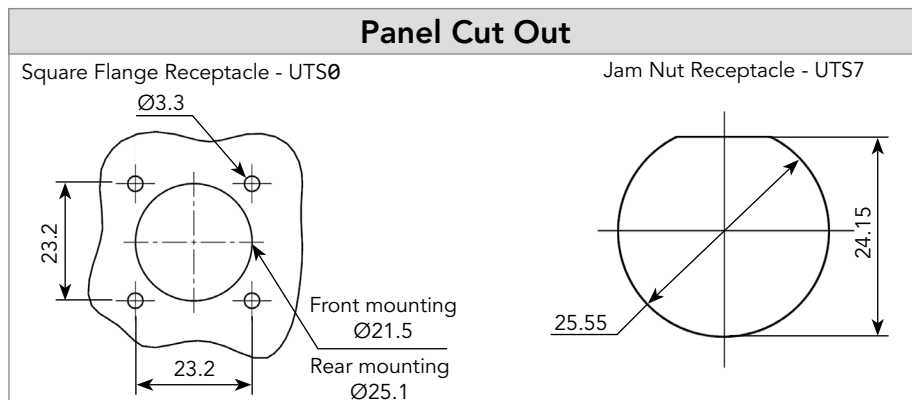
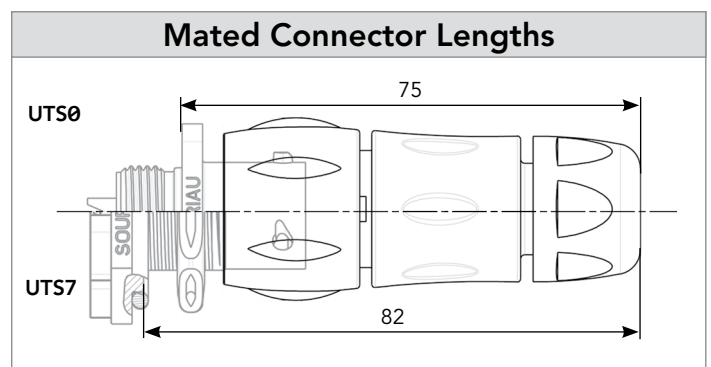
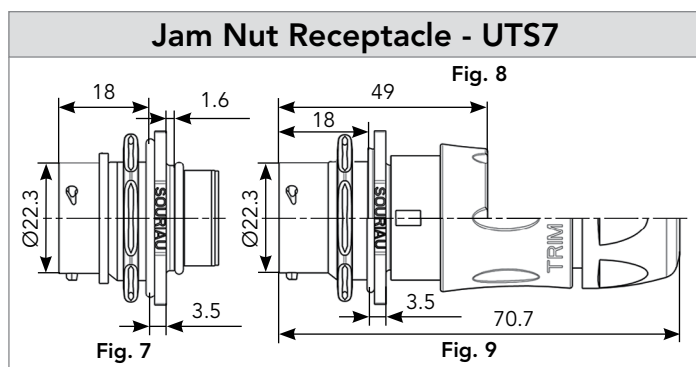
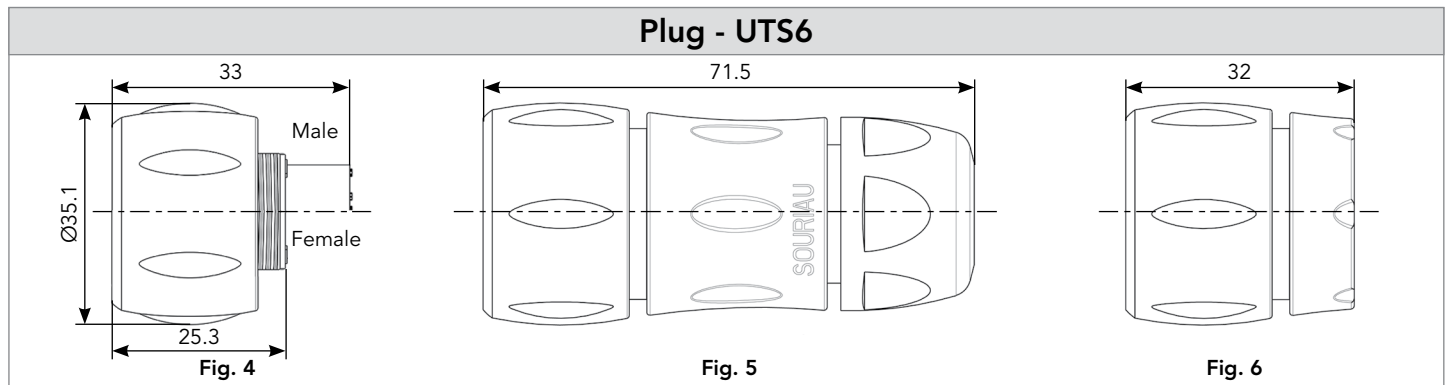
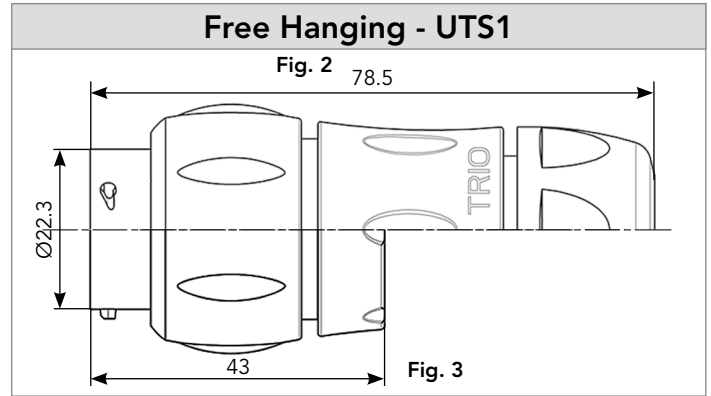
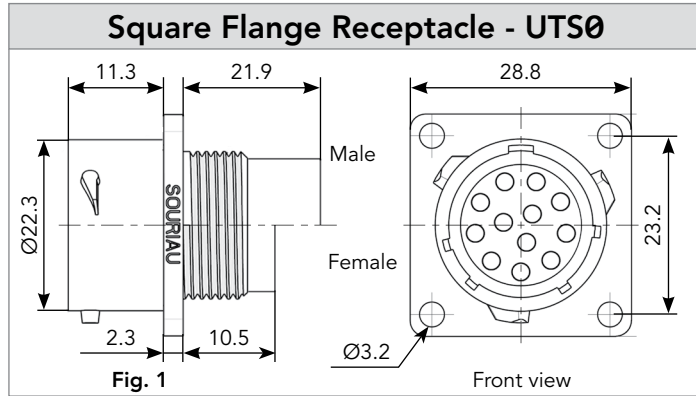
| Overmoulding type | Connector type | Wire size (mm ²) | Harmonized cable part number ⁽¹⁾ | Part number (length: 1m.)* | |
|--------------------|----------------|------------------------------|---|----------------------------|--------------------------|
| | | | | Male plug | Female plug |
| Straight ending | Plug | 1.5 | H05 VV - F 12x1.5 | HAUTS0V1412PST100 | HAUTS0V1412SST100 |
| Right angle ending | Plug | 1.5 | H05 VV - F 12x1.5 | HAUTS0V1412PRA100 | HAUTS0V1412SRA100 |

(1) Other cable available on demand

* Other lengths available on demand

1412 (Shell size 14, 12x#16)

Dimensions



Note: Overmoulded cable assembly dimensions available page 179.

Note: all dimensions are in mm

1412 (Shell size 14, 12x#16)

Accessories and Tooling

Jam Nut Sealing Caps



IP68/69K

| |
|-------------|
| Part number |
| UTS14DCG |



IP68/69K Metal terminal


| |
|-------------|
| Part number |
| UTS14DCGR |

Handle (without Head)



| |
|-------------|
| Part number |
| SHANDLES |

Tool Kit



| |
|-------------|
| Part number |
| TOOLKIT |

Plug Sealing Cap



IP68/69K

| |
|-------------|
| Part number |
| UTS614DCG |


Square Flange Sealing Cap



IP68/69K Metal terminal

| |
|-------------|
| Part number |
| UTS14DCGE |

Crimp Tooling (without Shandles)



| Contacts | Contact size | Part number of head | |
|--------------------------------|-------------------|---------------------|--|
| RM/RC 28M1K ⁽¹⁾ | Standard contacts | S16RCM20* | |
| RM/RC 24M9K ⁽¹⁾ | | S16RCM20* | |
| RM/RC 20M13K ⁽¹⁾ | | S16RCM20* | |
| RM/RC 20M12K ⁽¹⁾ | | S16RCM20* | |
| RM/RC 16M23K ⁽¹⁾ | | S16RCM16* | |
| RM/RC 14M30K ⁽¹⁾ | | S16RCM14* | |
| SM/SC 24ML1TK6 ⁽¹⁾ | | #16 Ø 1.6mm | S16SCM20* |
| SM/SC 20ML1TK6 ⁽¹⁾ | | | S16SCM20* |
| SM/SC 16ML1TK6 ⁽¹⁾ | | | S16SCML1* |
| SM/SC 14ML1TK6 ⁽¹⁾ | | | S16SCML1* |
| SM/SC 16ML11TK6 ⁽¹⁾ | | | S16SCML11* |
| RMDXK10D28K | | Coaxial contacts | M10S1J with die set & stop bushing see page 200 to 204 |
| RCDXK1D28K | | | |
| RM/RC DX60xxD28K | | | |
| RM/RC DXK10D28 + york090 | | | |
| RM/RC DX60xxD28 | | | |


(1): Example of plating, for other plating options see page 164
* Heads to be used with handle PN: SHANDLES

Plastic Protective Cap




| Part numbers | |
|----------------|----------|
| Receptacle cap | Plug cap |
| 85005588A | 85005597 |


Gasket




| |
|--------------|
| Part numbers |
| UTFD14B |

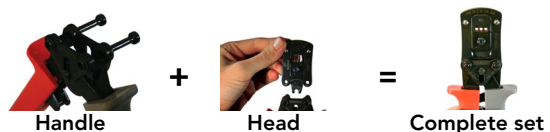
Color Coding Rings

G for Green 

Y for Yellow 

R for Red 

| Part numbers | |
|--------------|-----------|
| Receptacles | Plugs |
| UTS714CCR | UTS614CCR |
| UTS714CCR | UTS614CCR |
| UTS714CCR | UTS614CCR |



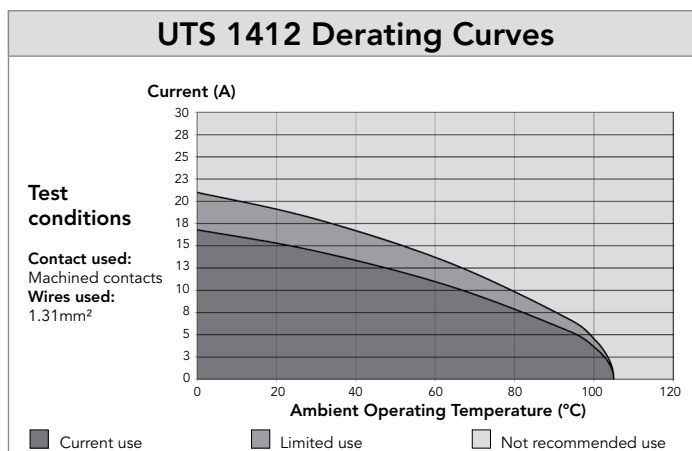
1412 (Shell size 14, 12x#16)

Contacts

| #16 | Contact type | AWG | Part number | | Max wire Ø | Max insulator Ø |
|-------------|--|---------------------------------|------------------------------|------------------------------|------------|-----------------|
| | | | Male | Female | | |
| Crimp | Machined | 30-28 | RM28M1K ⁽¹⁾ | RC28M1K ⁽¹⁾ | 0.55 | 1.00 |
| | | 26-24 | RM24M9K ⁽¹⁾ | RC24M9K ⁽¹⁾ | 0.80 | 1.60 |
| | | 22-20 | RM20M13K ⁽¹⁾ | RC20M13K ⁽¹⁾ | 1.15 | 1.80 |
| | | 22-20 | RM20M12K ⁽¹⁾ | RC20M12K ⁽¹⁾ | 1.15 | 2.20 |
| | | 20-16 | RM16M23K ⁽¹⁾ | RC16M23K ⁽¹⁾ | 1.80 | 3.20 |
| | | 16-14 | RM14M30K ⁽¹⁾ | RC14M30K ⁽¹⁾ | 2.30 | 3.20 |
| | Stamped & Formed reeled contacts See note (2) for loose piece | 26-24 | SM24M1TK6 ⁽¹⁾⁽²⁾ | SC24M1TK6 ⁽¹⁾⁽²⁾ | - | 0.90-1.60 |
| | | 22-20 | SM20M1TK6 ⁽¹⁾⁽²⁾ | SC20M1TK6 ⁽¹⁾⁽²⁾ | - | 1.20-2.10 |
| | | 18-16 | SM16M1TK6 ⁽¹⁾⁽²⁾ | SC16M1TK6 ⁽¹⁾⁽²⁾ | - | 3.20 |
| | | 18-16 | SM16M11TK6 ⁽¹⁾⁽²⁾ | SC16M11TK6 ⁽¹⁾⁽²⁾ | - | 3.00 |
| 14 | | SM14M1TK6 ⁽¹⁾⁽²⁾ | SC14M1TK6 ⁽¹⁾⁽²⁾ | - | 3.20 | |
| PCB | Machined ⁽³⁾ | - | RM20M12E83K ⁽¹⁾ | RC20M12E84K ⁽¹⁾ | - | - |
| Coaxial | Cable Multipiece | see pages 167, 200 to 206 | RMDXK10D28 | RCDXK1D28 | - | - |
| | Cable Monocrimp | | RMDX60xxD28 | RCDX60xxD28 | - | - |
| | Twisted pair Multipiece | | RMDXK10D28 + york090 | RCDXK1D28 + york090 | - | - |
| | Twisted pair Monocrimp | | RMDX60xxD28 | RCDX60xxD28 | - | - |
| Fiber optic | POF contacts (Plastic Optical Fiber) | - | RMPOF1000 | RCPOF1000B | - | - |
| Hand-solder | Loaded in the connector | 14-18 | - | - | - | - |

(1): Example of plating, for other plating see page 164 (2): Loose piece contact available if putting L. Example: SM20M1TK6 (3): For dimensions see page 168 Note: all dimensions are in mm

| Electrical Characteristics |
|---|
| <p>UL 10A 600V UL94 V-0</p> <p>CSA 7A 600V UL94 V-0</p> <p>IEC 10A 63V 1.5kV 3</p> |



14E12/14D12 (Shell size 14, 8x#20, 4x#16)



Connector Part Numbers

| Contact type | Connector type | Backshell | Part number | |
|---|--|----------------------|---------------------|---------------------|
| | | | Male insert | Female insert |
| Hand solder electrical contacts loaded see page 123 | Square flange receptacle | Without (Fig. 6) | UTS014E12P | UTS014E12S |
| | Plug | Without (Fig. 1) | UTS614E12P | UTS614E12S |
| | | Cable gland (Fig. 2) | UTS6JC14E12P | UTS6JC14E12S |
| | Jam nut receptacle | Without (Fig. 3) | UTS714E12P | UTS714E12S |
| PCB contacts loaded see page 123 | Square flange receptacle | Without (Fig. 6) | UTS014D12P | UTS014D12S |
| | Jam nut receptacle with stand off and with hold down clips | Without (Fig. 4) | UTS714D12P32 | UTS714D12S32 |
| | Jam nut receptacle with stand off and without hold down clip | Without (Fig. 5) | UTS714D12P | UTS714D12S |

Possibilities of discrimination/keying methods see page 208

Sealed unmatad

Overmoulded Cable Assembly Part Numbers

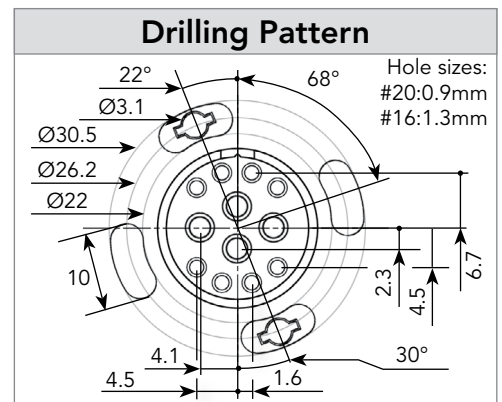
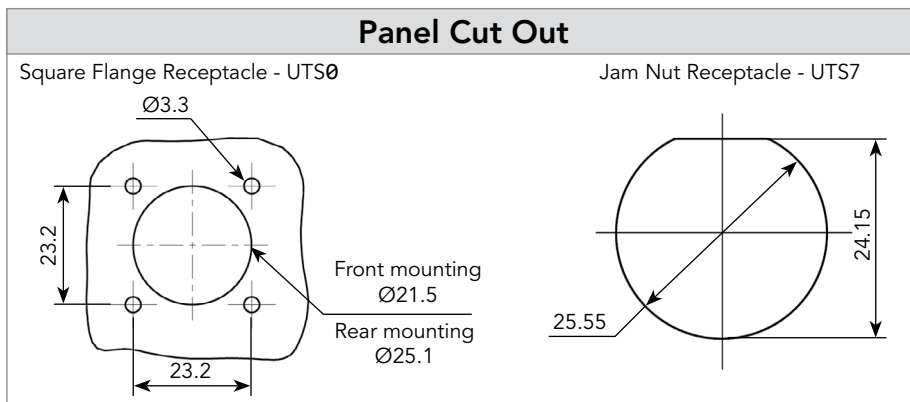
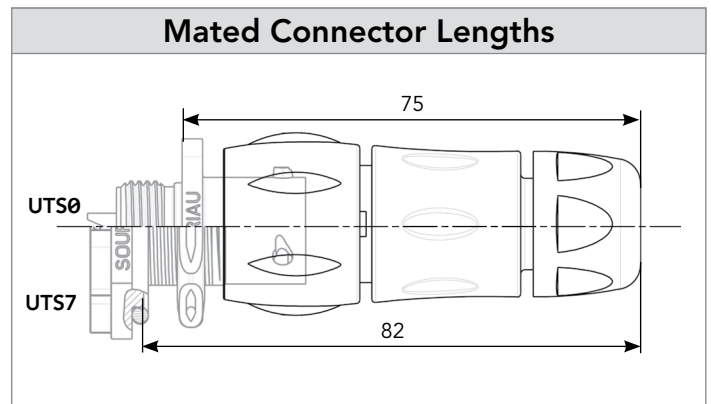
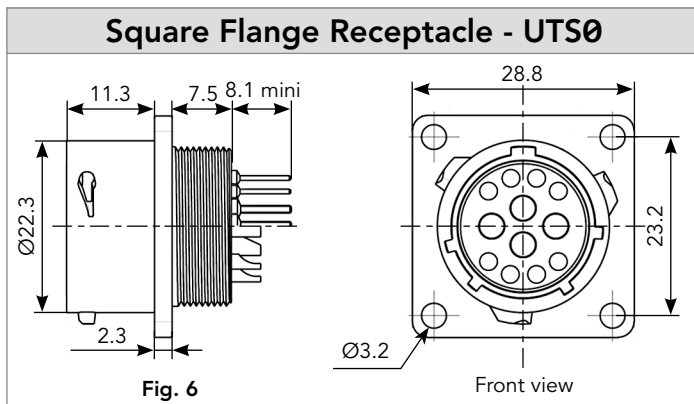
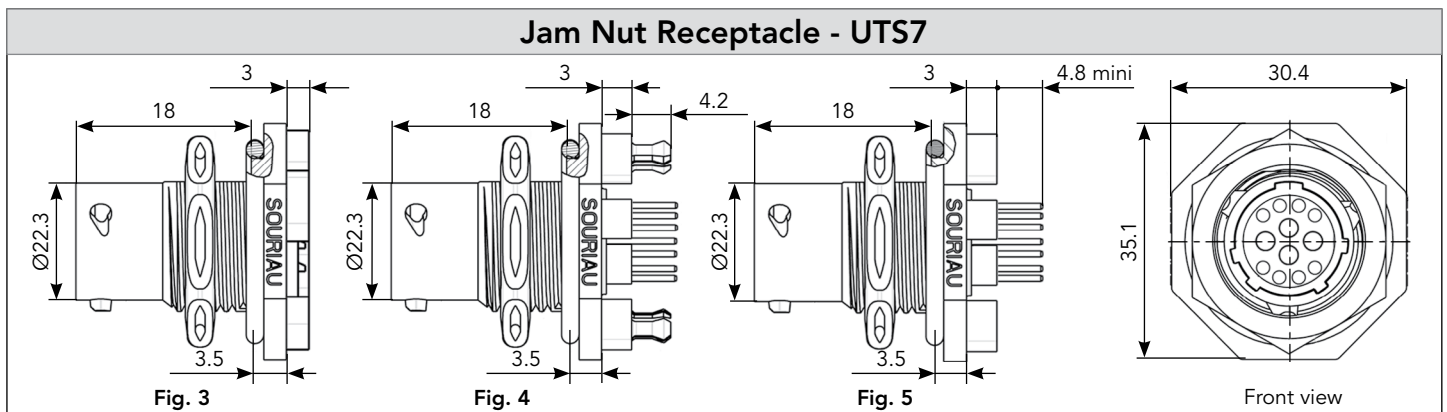
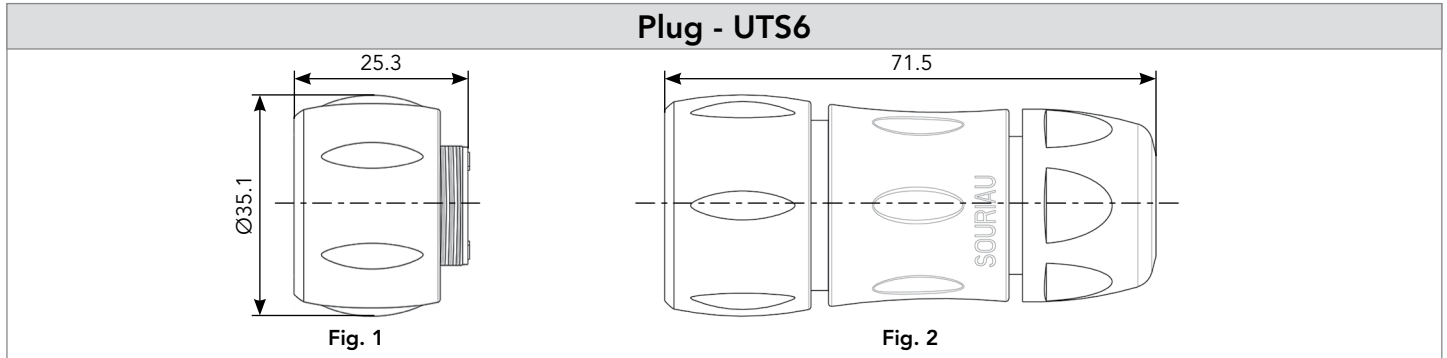
| Overmoulding type | Connector type | Wire size (mm ²) | Harmonized cable part number ⁽¹⁾ | Part number (length: 1m.)* | |
|--------------------|----------------|------------------------------|---|----------------------------|---------------------------|
| | | | | Male plug | Female plug |
| Straight ending | Plug | 1.5 | H05 VV - F 12x1.5 | HAUTS0V14E12PST100 | HAUTS0V14E12SST100 |
| Right angle ending | Plug | 1.5 | H05 VV - F 12x1.5 | HAUTS0V14E12PRA100 | HAUTS0V14E12SRA100 |

(1) Other cable available on demand

* Other lengths available on demand

14E12/14D12 (Shell size 14, 8x#20, 4x#16)

Dimensions



Note: Overmoulded cable assembly dimensions available page 179.

Note: all dimensions are in mm

14E12/14D12 (Shell size 14, 8x#20, 4x#16)

Accessories and Tooling

Jam Nut Sealing Caps



IP68/69K

| Part number | |
|-------------|--|
| UTS14DCG | |



IP68/69K Metal terminal

| Part number | |
|-------------|--|
| UTS14DCGR | |

Plug Sealing Cap



IP68/69K

| Part number | |
|-------------|--|
| UTS614DCG | |

Square Flange Sealing Cap



IP68/69K Metal terminal


| Part number | |
|-------------|--|
| UTS14DCGE | |

Plastic Protective Cap



| Part numbers | |
|----------------|----------|
| Receptacle cap | Plug cap |
| 85005588A | 85005597 |


Gasket




| Part numbers | |
|--------------|--|
| UTFD14B | |

Color Coding Rings


G for Green



Y for Yellow



R for Red



| Part numbers | |
|--------------|------------|
| Receptacles | Plugs |
| UTS714CCRR | UTS614CCRR |
| UTS714CCRY | UTS614CCRY |
| UTS714CCRG | UTS614CCRG |

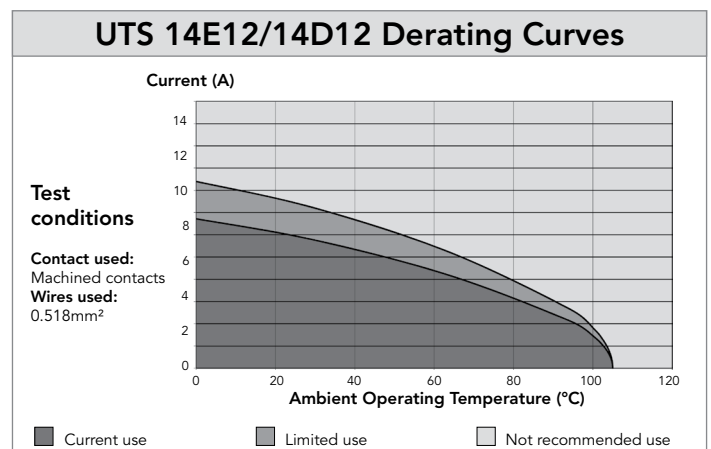
14E12/14D12 (Shell size 14, 8x#20, 4x#16)

Contacts

| #16 | Contact type | Plating | Cable acceptance (AWG) | Wire stripping length |
|-------------|-------------------------|----------------------------|------------------------|-----------------------|
| Hand solder | Loaded in the connector | Min 0.4μ gold over 0.8μ Ni | 18 to 14 | 5.0 mm |
| PCB | Machined ⁽¹⁾ | Min 0.4μ gold over 0.8μ Ni | - | - |
| #20 | Contact type | Plating | Cable acceptance (AWG) | Wire stripping length |
| Hand solder | Loaded in the connector | Min 0.4μ gold over 0.8μ Ni | 22 to 18 | 3.8 mm |
| PCB | Machined ⁽¹⁾ | Min 0.4μ gold over 0.8μ Ni | - | - |

(1): For dimensions see page 169

| Electrical Characteristics |
|---|
| <p>UL 4.5A 250V UL94 HB</p> <p>CSA 4.5A 250V UL94 HB</p> <p>IEC 4A 50V 1.5kV 3</p> |



1492 (Shell size 14, 12x#16)



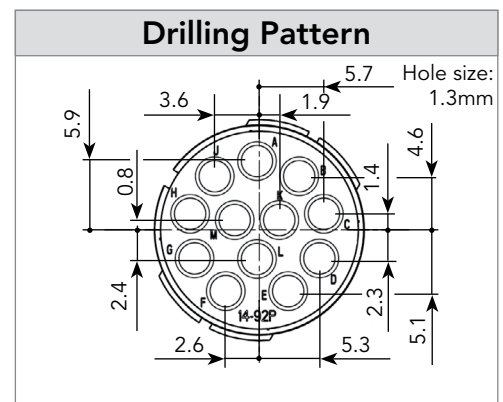
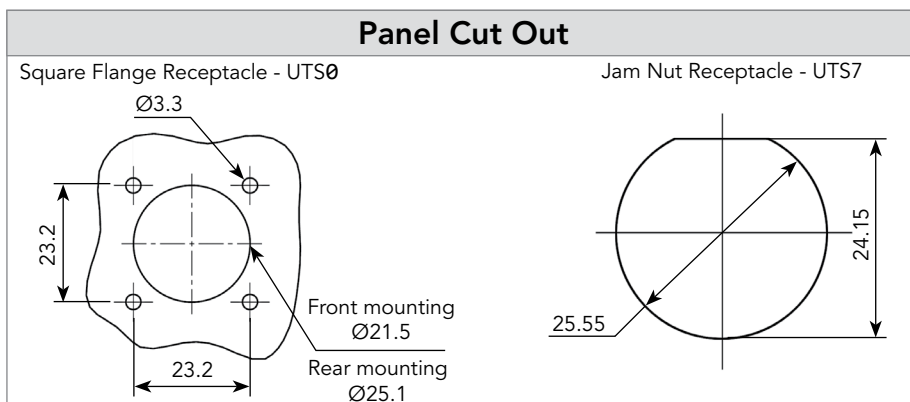
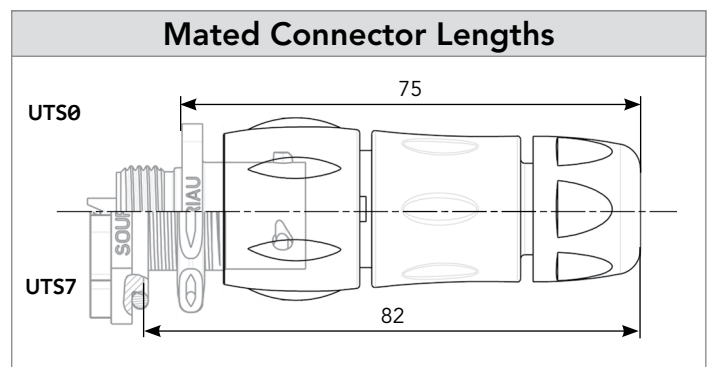
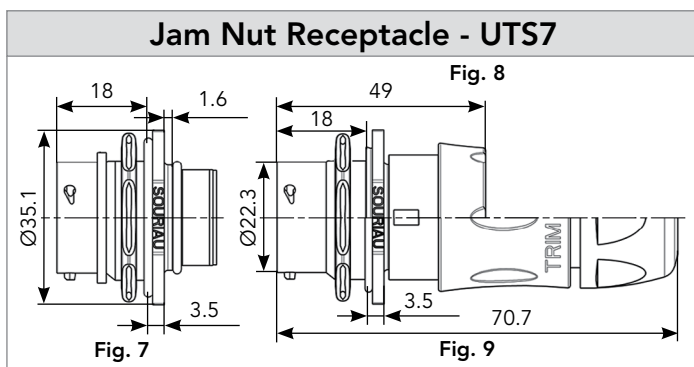
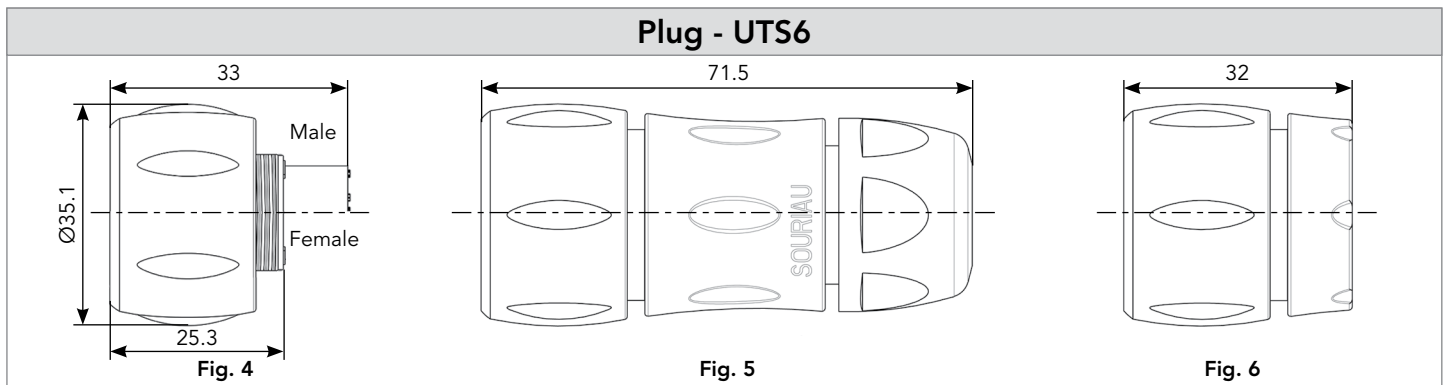
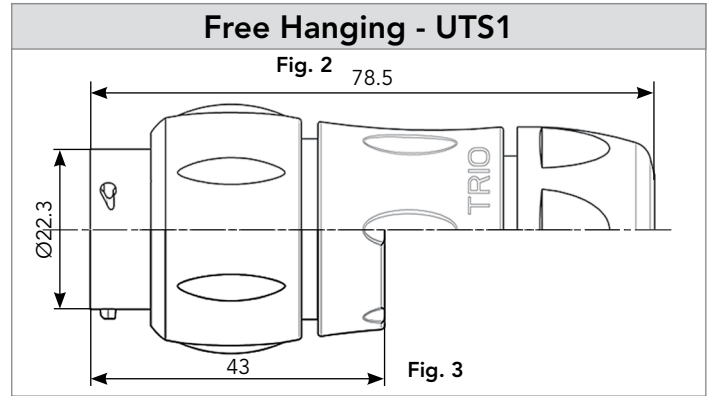
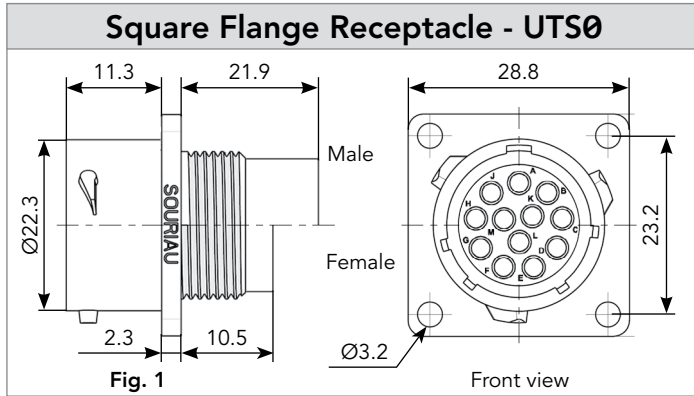
Connector Part Numbers

| Contact type | Connector type | Backshell | Part number | |
|---|--------------------------|----------------------------------|---------------------|---------------------|
| | | | Male insert | Female insert |
| Crimp contacts supplied separately see page 127 | Square flange receptacle | Without (Fig. 1) | UTS01492P | UTS01492S |
| | Free hanging receptacle | Cable gland and grommet (Fig. 2) | UTS1GJC1492P | - |
| | Free hanging receptacle | Nut and grommet (Fig. 3) | UTS1GN1492P | - |
| | Free hanging receptacle | Cable gland (Fig. 2) | UTS1JC1492P | UTS1JC1492S |
| | Plug | Without (Fig. 4) | UTS61492P | UTS61492S |
| | Plug | Cable gland and grommet (Fig. 5) | - | UTS6GJC1492S |
| | Plug | Nut and grommet (Fig. 6) | - | UTS6GN1492S |
| | Plug | Cable gland (Fig. 5) | UTS6JC1492P | UTS6JC1492S |
| | Jam nut receptacle | Without (Fig. 7) | UTS71492P | UTS71492S |
| | Jam nut receptacle | Cable gland and grommet (Fig. 9) | UTS7GJC1492P | - |
| | Jam nut receptacle | Nut and grommet (Fig. 8) | UTS7GN1492P | - |
| PCB contacts supplied separately see page 127 | Square flange receptacle | Without (Fig. 1) | UTS01492P | UTS01492S |
| | Jam nut receptacle | Without (Fig. 7) | UTS71492P | UTS71492S |

Possibilities of discrimination/keying methods see page 208

1492 (Shell size 14, 12x#16)

Dimensions



Note: all dimensions are in mm

1492 (Shell size 14, 12x#16)

Accessories and Tooling

Jam Nut Sealing Caps



IP68/69K

| |
|-------------|
| Part number |
| UTS14DCG |



IP68/69K Metal terminal


| |
|-------------|
| Part number |
| UTS14DCGR |

Handle (without Head)



| |
|-------------|
| Part number |
| SHANDLES |

Tool Kit



| |
|-------------|
| Part number |
| TOOLKIT |

Plug Sealing Cap



IP68/69K

| |
|-------------|
| Part number |
| UTS614DCG |


Square Flange Sealing Cap



IP68/69K Metal terminal

| |
|-------------|
| Part number |
| UTS14DCGE |

Crimp Tooling (without Shandles)



| Contacts | Contact size | Part number of head |
|--------------------------------|-------------------------------------|---------------------|
| RM/RC 28M1K ⁽¹⁾ | Standard contacts #16 Ø 1.6mm | S16RCM20* |
| RM/RC 24M9K ⁽¹⁾ | | S16RCM20* |
| RM/RC 20M13K ⁽¹⁾ | | S16RCM20* |
| RM/RC 20M12K ⁽¹⁾ | | S16RCM20* |
| RM/RC 16M23K ⁽¹⁾ | | S16RCM16* |
| RM/RC 14M30K ⁽¹⁾ | | S16RCM14* |
| SM/SC 24ML1TK6 ⁽¹⁾ | | S16SCM20* |
| SM/SC 20ML1TK6 ⁽¹⁾ | | S16SCM20* |
| SM/SC 16ML1TK6 ⁽¹⁾ | | S16SCML1* |
| SM/SC 14ML1TK6 ⁽¹⁾ | | S16SCML1* |
| SM/SC 16ML11TK6 ⁽¹⁾ | | S16SCML11* |
| RMDXK10D28K | | Coaxial contacts |
| RCDXK1D28K | | |
| RM/RC DX60xxD28K | | |
| RM/RC DXK10D28 + york090 | | |
| RM/RC DX60xxD28 | | |


(1): Example of plating, for other plating options see page 164
* Heads to be used with handle PN: SHANDLES

Plastic Protective Cap




| Part numbers | |
|----------------|----------|
| Receptacle cap | Plug cap |
| 85005588A | 85005597 |


Gasket




| |
|--------------|
| Part numbers |
| UTFD14B |

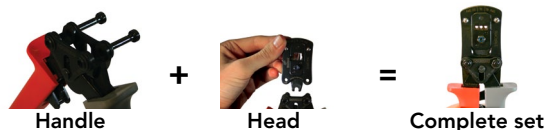
Color Coding Rings

G for Green 

Y for Yellow 

R for Red 

| Part numbers | |
|--------------|-----------|
| Receptacles | Plugs |
| UTS714CCR | UTS614CCR |
| UTS714CCR | UTS614CCR |
| UTS714CCR | UTS614CCR |



1492 (Shell size 14, 12x#16)

Contacts

| #16 | Contact type | AWG | Part number | | Max wire Ø | Max insulator Ø |
|-------------|--|---------------------------------|------------------------------|------------------------------|------------|-----------------|
| | | | Male | Female | | |
| Crimp | Machined | 30-28 | RM28M1K ⁽¹⁾ | RC28M1K ⁽¹⁾ | 0.55 | 1.00 |
| | | 26-24 | RM24M9K ⁽¹⁾ | RC24M9K ⁽¹⁾ | 0.80 | 1.60 |
| | | 22-20 | RM20M13K ⁽¹⁾ | RC20M13K ⁽¹⁾ | 1.15 | 1.80 |
| | | 22-20 | RM20M12K ⁽¹⁾ | RC20M12K ⁽¹⁾ | 1.15 | 2.20 |
| | | 20-16 | RM16M23K ⁽¹⁾ | RC16M23K ⁽¹⁾ | 1.80 | 3.20 |
| | | 16-14 | RM14M30K ⁽¹⁾ | RC14M30K ⁽¹⁾ | 2.30 | 3.20 |
| | Stamped & Formed reeled contacts See note (2) for loose piece | 26-24 | SM24M1TK6 ⁽¹⁾⁽²⁾ | SC24M1TK6 ⁽¹⁾⁽²⁾ | - | 0.90-1.60 |
| | | 22-20 | SM20M1TK6 ⁽¹⁾⁽²⁾ | SC20M1TK6 ⁽¹⁾⁽²⁾ | - | 1.20-2.10 |
| | | 18-16 | SM16M1TK6 ⁽¹⁾⁽²⁾ | SC16M1TK6 ⁽¹⁾⁽²⁾ | - | 3.20 |
| | | 18-16 | SM16M11TK6 ⁽¹⁾⁽²⁾ | SC16M11TK6 ⁽¹⁾⁽²⁾ | - | 3.00 |
| 14 | | SM14M1TK6 ⁽¹⁾⁽²⁾ | SC14M1TK6 ⁽¹⁾⁽²⁾ | - | 3.20 | |
| PCB | Machined ⁽³⁾ | - | RM20M12E83K ⁽¹⁾ | RC20M12E84K ⁽¹⁾ | - | - |
| Coaxial | Cable Multipiece | see pages 167, 200 to 206 | RMDXK10D28 | RCDXK1D28 | - | - |
| | Cable Monocrimp | | RMDX60xxD28 | RCDX60xxD28 | - | - |
| | Twisted pair Multipiece | | RMDXK10D28 + york090 | RCDXK1D28 + york090 | - | - |
| | Twisted pair Monocrimp | | RMDX60xxD28 | RCDX60xxD28 | - | - |
| Fiber optic | POF contacts (Plastic Optical Fiber) | - | RMPOF1000 | RCPOF1000B | - | - |
| Hand-solder | Loaded in the connector | 14-18 | - | - | | |

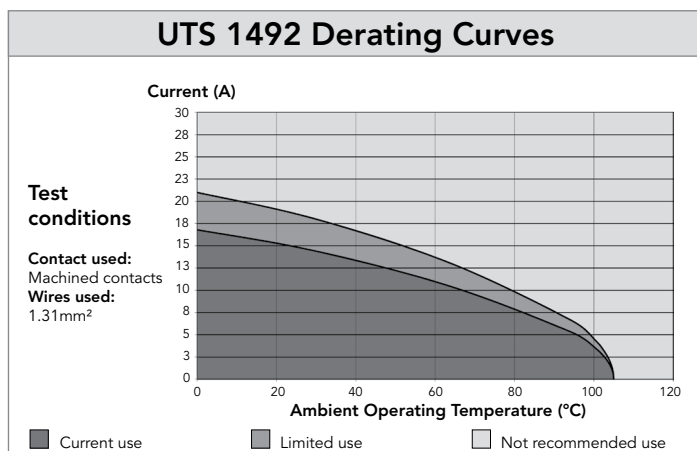
(1): Example of plating, for other plating see page 164 (2): Loose piece contact available if putting L. Example: SM20M1TK6 (3): For dimensions see page 168 Note: all dimensions are in mm

Electrical Characteristics

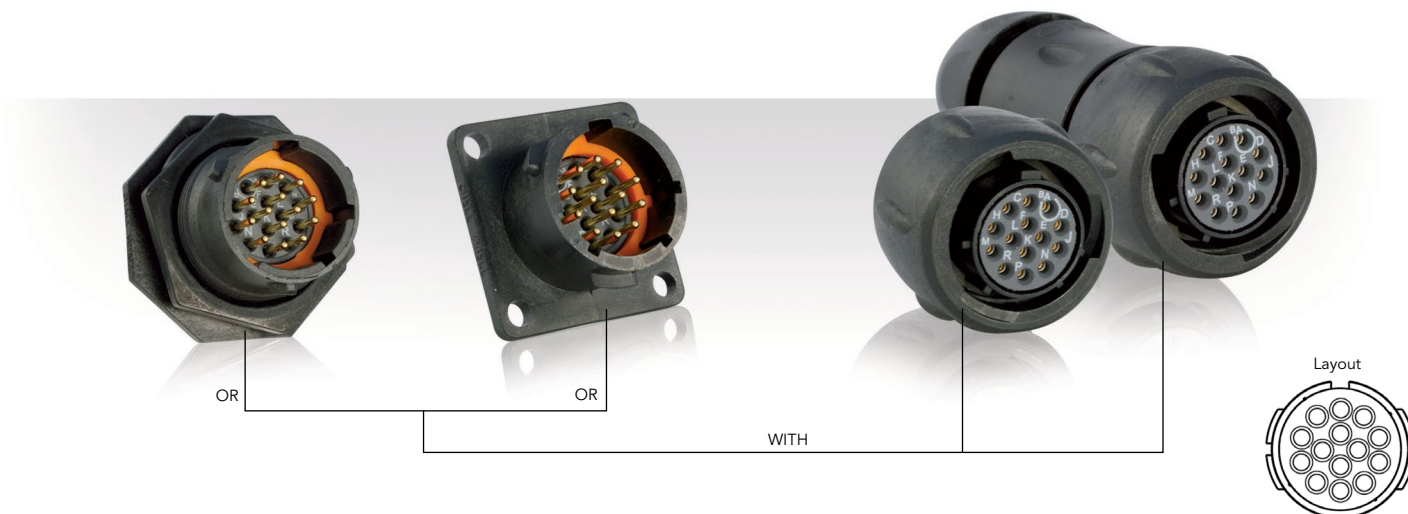
UL
10A 600V UL94 V-0

CSA
7A 600V UL94 V-0

IEC
10A 63V 1.5kV 3



12E14/12D14 (Shell size 12, 14x#20)



Connector Part Numbers

| Contact type | Connector type | Backshell | Part number | |
|---|--|----------------------|---------------------|---------------------|
| | | | Male insert | Female insert |
| Hand solder electrical contacts loaded see page 131 | Square flange receptacle | Without (Fig. 6) | UTS012E14P | UTS012E14S |
| | Plug | Without (Fig. 1) | UTS612E14P | UTS612E14S |
| | | Cable gland (Fig. 2) | UTS6JC12E14P | UTS6JC12E14S |
| | Jam nut receptacle | Without (Fig. 3) | UTS712E14P | UTS712E14S |
| PCB contacts loaded see page 131 | Square flange receptacle | Without (Fig. 7) | UTS012D14P | UTS012D14S |
| | Jam nut receptacle with stand off and with hold down clips | Without (Fig. 4) | UTS712D14P32 | UTS712D14S32 |
| | Jam nut receptacle with stand off and without hold down clip | Without (Fig. 5) | UTS712D14P | UTS712D14S |

Possibilities of discrimination/keying methods see page 208

Sealed unmated

Overmoulded Cable Assembly Part Numbers

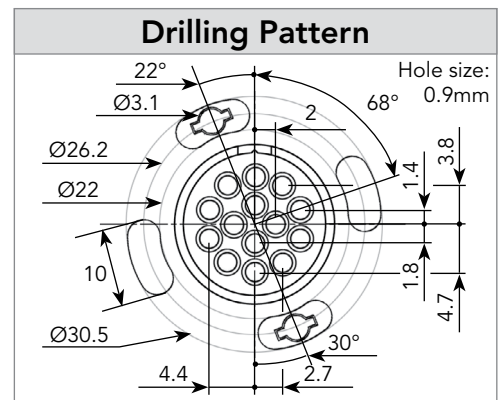
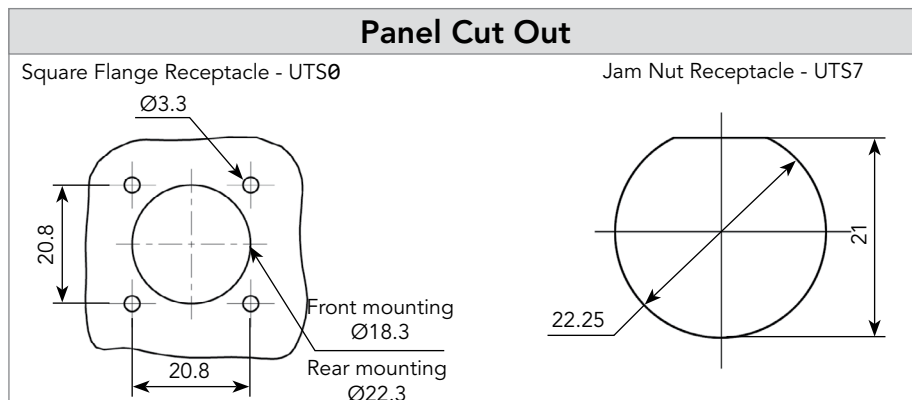
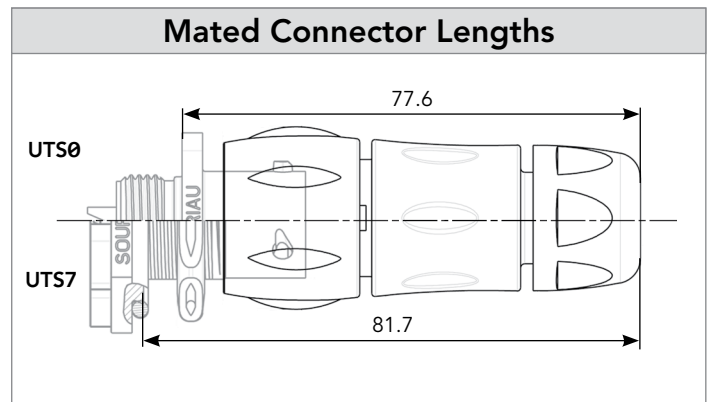
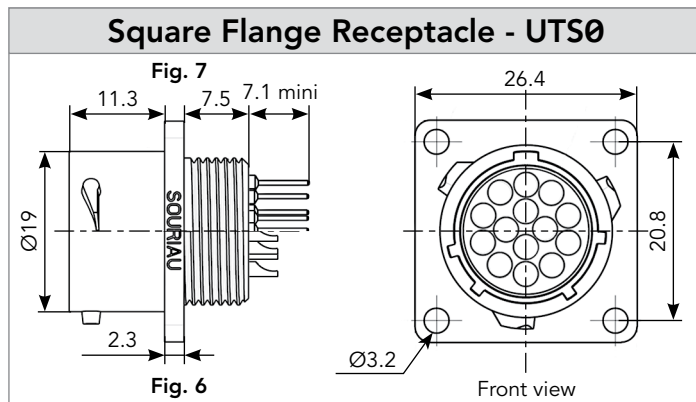
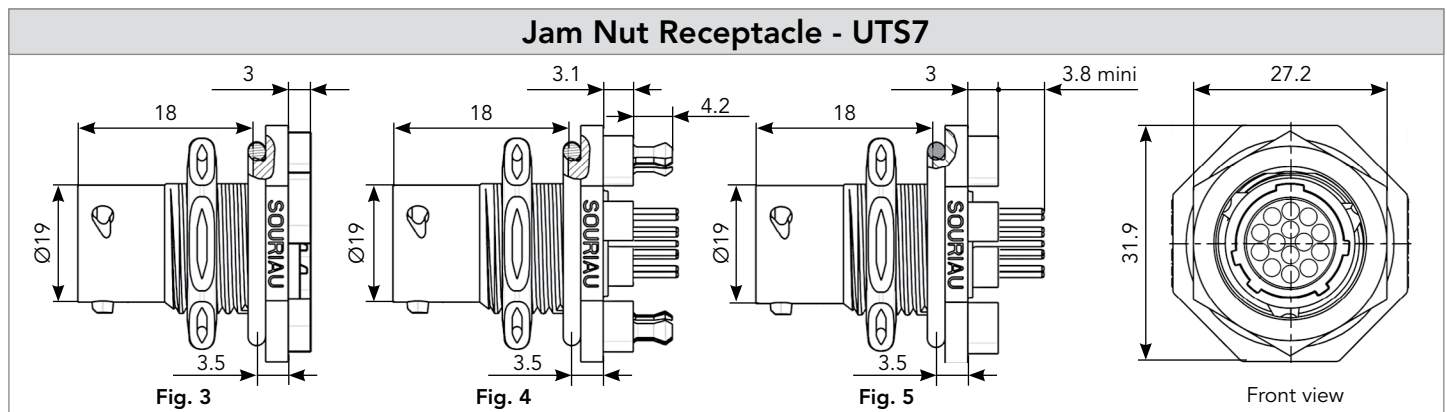
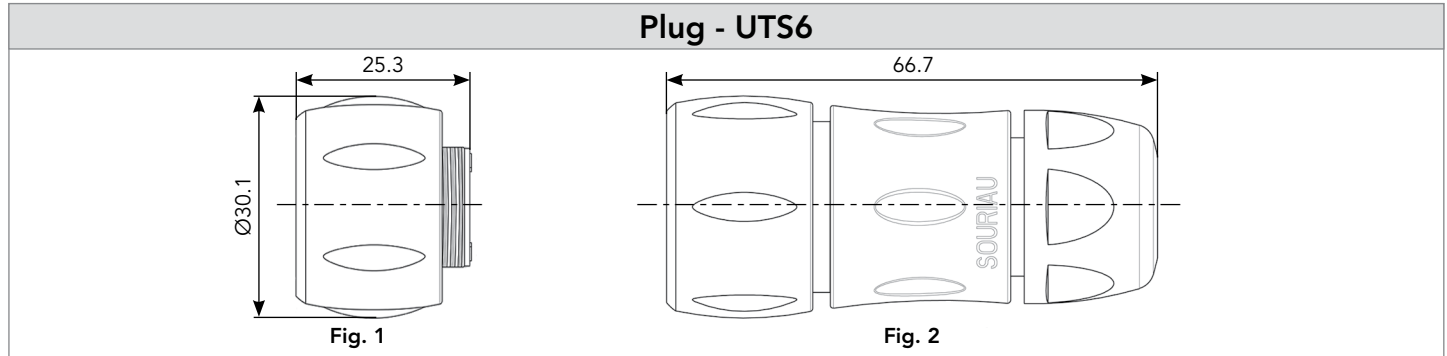
| Overmoulding type | Connector type | Wire size (mm ²) | Harmonized cable part number ⁽¹⁾ | Part number (length: 1m.)* | |
|--------------------|----------------|------------------------------|---|----------------------------|---------------------------|
| | | | | Male plug | Female plug |
| Straight ending | Plug | 0.5 | H05 VV - F 14x0.5 | HAUTS0V12E14PST100 | HAUTS0V12E14SST100 |
| Right angle ending | Plug | 0.5 | H05 VV - F 14x0.5 | HAUTS0V12E14PRA100 | HAUTS0V12E14SRA100 |

(1) Other cable available on demand

* Other lengths available on demand

12E14/12D14 (Shell size 12, 14x#20)

Dimensions



Note: Overmoulded cable assembly dimensions available page 179.

Note: all dimensions are in mm

12E14/12D14 (Shell size 12, 14x#20)

Accessories and Tooling

Jam Nut Sealing Caps



IP68/69K


| Part number | |
|-------------|--|
| UTS12DCG | |



IP68/69K Metal terminal

| Part number | |
|-------------|--|
| UTS12DCGR | |

Plug Sealing Cap



IP68/69K

| Part number | |
|-------------|--|
| UTS612DCG | |

Square Flange Sealing Cap



IP68/69K Metal terminal


| Part number | |
|-------------|--|
| UTS12DCGE | |

Plastic Protective Cap




| Part numbers | |
|----------------|----------|
| Receptacle cap | Plug cap |
| 85005587A | 85005596 |


Gasket




| Part numbers | |
|--------------|--|
| UTFD13B | |

Color Coding Rings

G for Green 

Y for Yellow 

R for Red 

| Part numbers | |
|--------------|------------|
| Receptacles | Plugs |
| UTS712CCRR | UTS612CCRR |
| UTS712CCRY | UTS612CCRY |
| UTS712CCRG | UTS612CCRG |

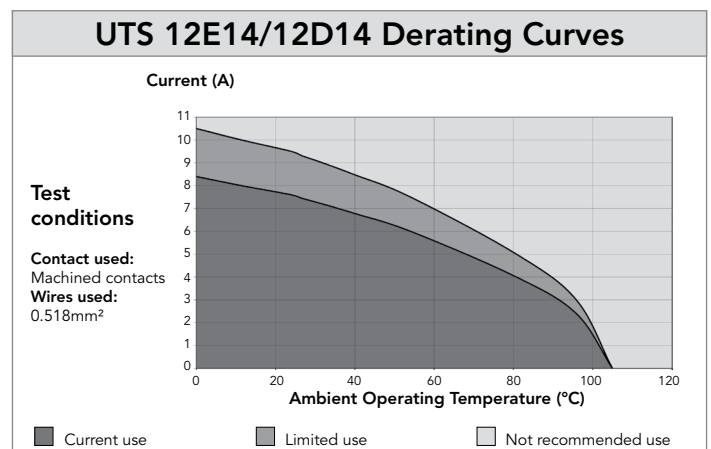
12E14/12D14 (Shell size 12, 14x#20)

Contacts

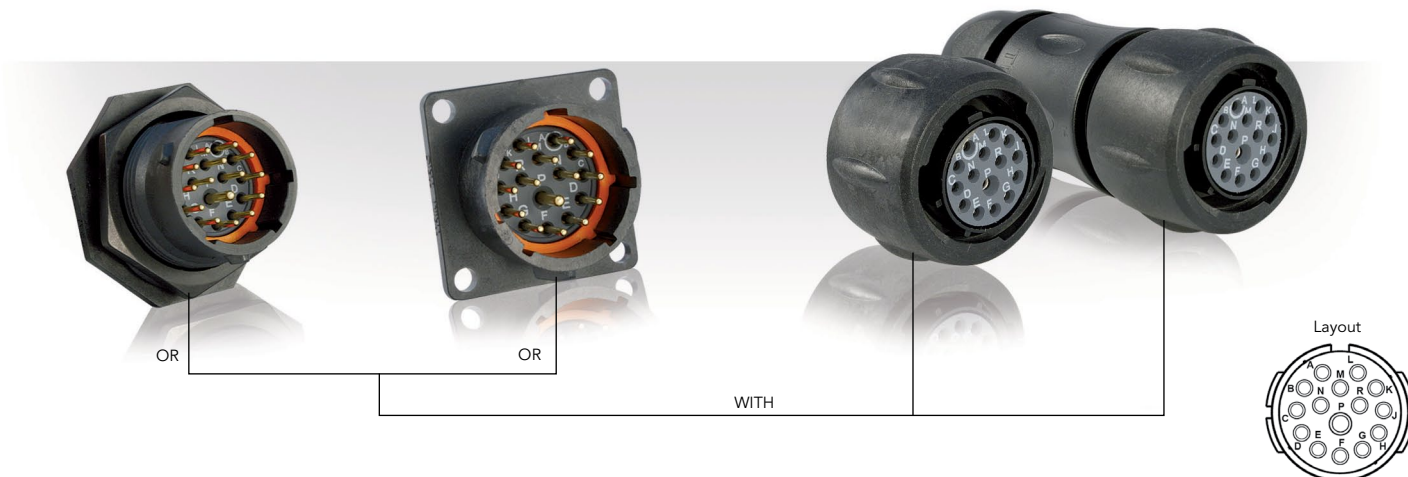
| #20 | Contact type | Plating | Cable acceptance (AWG) | Wire stripping length |
|-------------|-------------------------|----------------------------|------------------------|-----------------------|
| Hand solder | Loaded in the connector | Min 0.4μ gold over 0.8μ Ni | 22 to 18 | 5 mm |
| PCB | Machined ⁽¹⁾ | Min 0.4μ gold over 0.8μ Ni | - | - |

(1): For dimensions see page 169

| Electrical Characteristics |
|---|
| <p>UL 4.5A 250V UL94 HB</p> <p>CSA 4.5A 250V UL94 HB</p> <p>IEC 5A 32V 1.5kV 3</p> |



14E15/14D15 (Shell size 14, 14x#20, 1x#16)



Connector Part Numbers

| Contact type | Connector type | Backshell | Part number | |
|---|--|----------------------|---------------------|---------------------|
| | | | Male insert | Female insert |
| Hand solder electrical contacts loaded see page 135 | Square flange receptacle | Without (Fig. 6) | UTS014E15P | UTS014E15S |
| | Plug | Without (Fig. 1) | UTS614E15P | UTS614E15S |
| | | Cable gland (Fig. 2) | UTS6JC14E15P | UTS6JC14E15S |
| | Jam nut receptacle | Without (Fig. 3) | UTS714E15P | UTS714E15S |
| PCB contacts loaded see page 135 | Square flange receptacle | Without (Fig. 7) | UTS014D15P | UTS014D15S |
| | Jam nut receptacle with stand off and with hold down clips | Without (Fig. 4) | UTS714D15P32 | UTS714D15S32 |
| | Jam nut receptacle with stand off and without hold down clip | Without (Fig. 5) | UTS714D15P | UTS714D15S |

Possibilities of discrimination/keying methods see page 208

Sealed unmatd

Overmoulded Cable Assembly Part Numbers

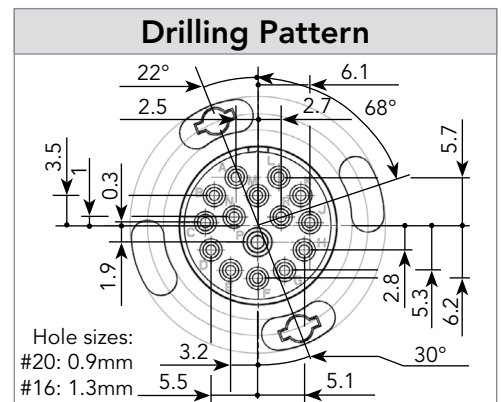
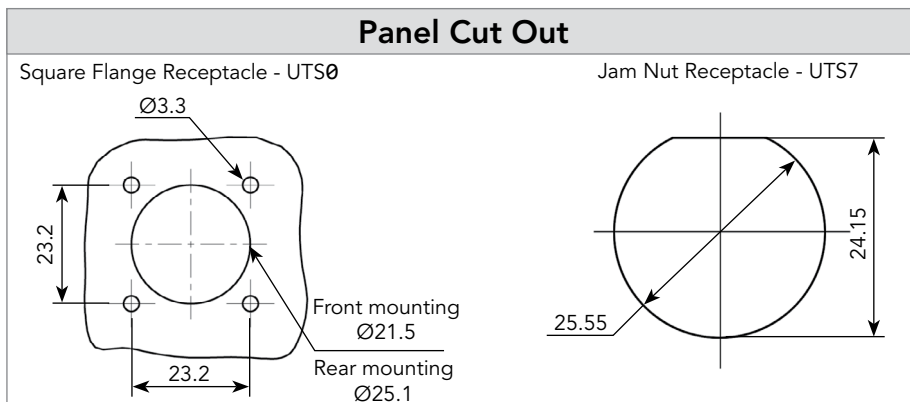
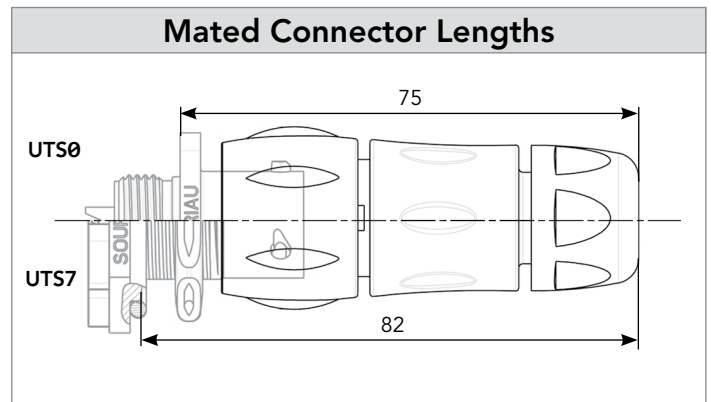
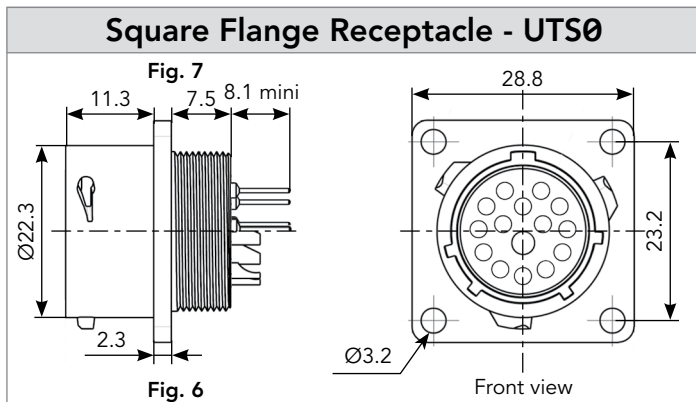
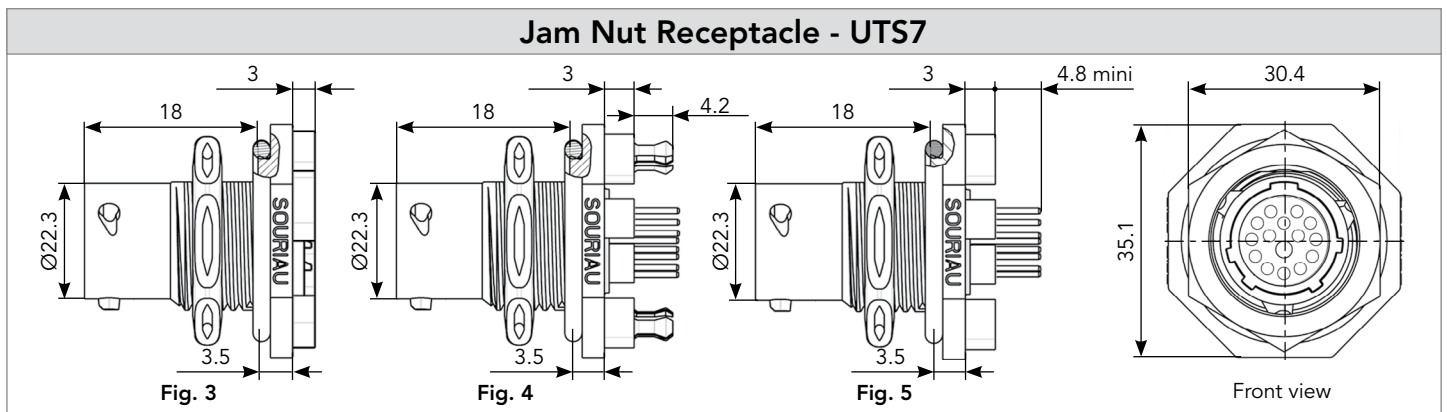
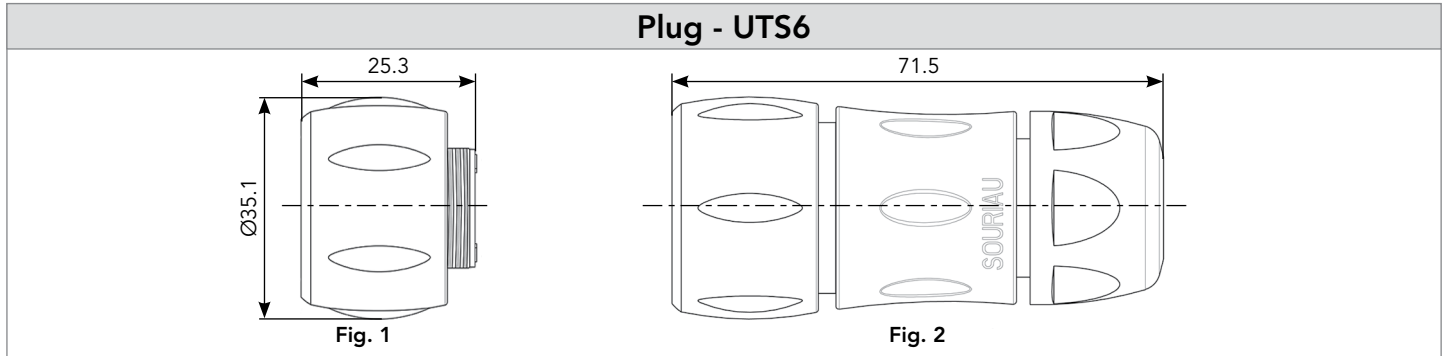
| Overmoulding type | Connector type | Wire size (mm ²) | Harmonized cable part number ⁽¹⁾ | Part number (length: 1m.)* | |
|--------------------|----------------|------------------------------|---|----------------------------|---------------------------|
| | | | | Male plug | Female plug |
| Straight ending | Plug | 1.5 | H05 VV - F 15x1.5 | HAUTS0V14E15PST100 | HAUTS0V14E15SST100 |
| Right angle ending | Plug | 1.5 | H05 VV - F 15x1.5 | HAUTS0V14E15PRA100 | HAUTS0V14E15SRA100 |

(1) Other cable available on demand

* Other lengths available on demand

14E15/14D15 (Shell size 14, 14x#20, 1x#16)

Dimensions



Note: Overmoulded cable assembly dimensions available page 179.

Note: all dimensions are in mm

14E15/14D15 (Shell size 14, 14x#20, 1x#16)

Accessories and Tooling

Jam Nut Sealing Caps



IP68/69K

| Part number | |
|-------------|--|
| UTS14DCG | |



IP68/69K Metal terminal

| Part number | |
|-------------|--|
| UTS14DCGR | |

Plug Sealing Cap



IP68/69K

| Part number | |
|-------------|--|
| UTS614DCG | |

Square Flange Sealing Cap



IP68/69K Metal terminal


| Part number | |
|-------------|--|
| UTS14DCGE | |

Plastic Protective Cap



| Part numbers | |
|----------------|----------|
| Receptacle cap | Plug cap |
| 85005588A | 85005597 |


Gasket




| Part numbers | |
|--------------|--|
| UTFD14B | |

Color Coding Rings


G for Green



Y for Yellow



R for Red



| Part numbers | |
|--------------|------------|
| Receptacles | Plugs |
| UTS714CCRR | UTS614CCRR |
| UTS714CCRY | UTS614CCRY |
| UTS714CCRG | UTS614CCRG |

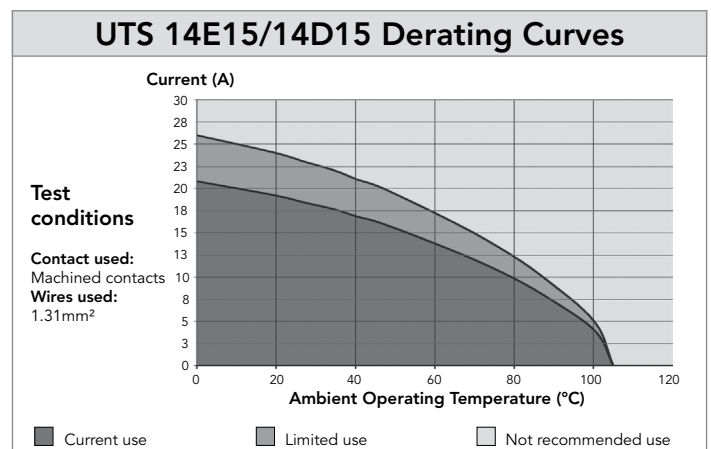
14E15/14D15 (Shell size 14, 14x#20, 1x#16)

Contacts

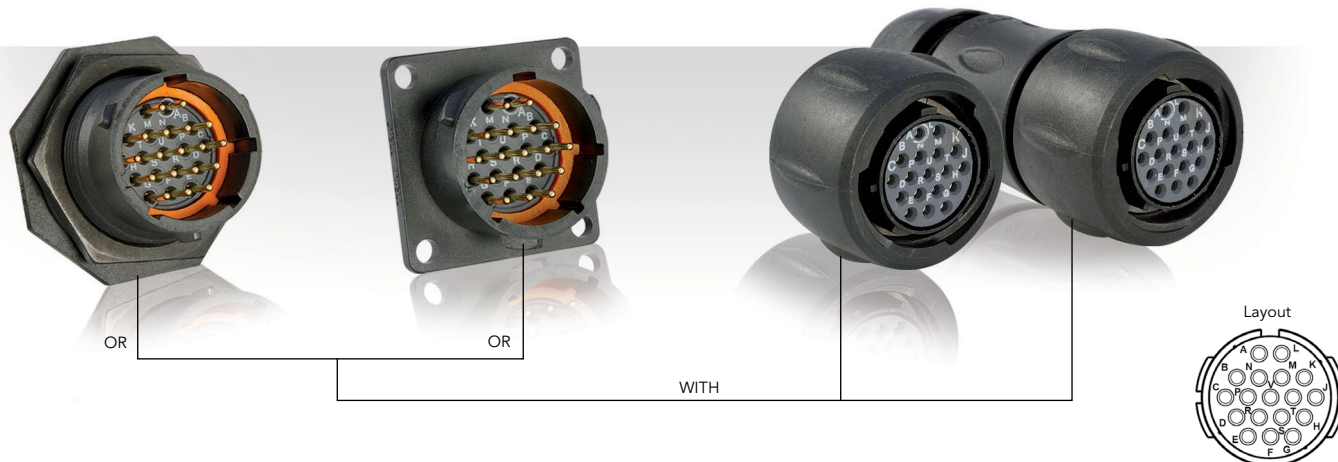
| #16 | Contact type | Plating | Cable acceptance (AWG) | Wire stripping length |
|-------------|-------------------------|----------------------------|------------------------|-----------------------|
| Hand solder | Loaded in the connector | Min 0.4μ gold over 0.8μ Ni | 18 to 14 | 5.0 mm |
| PCB | Machined ⁽¹⁾ | Min 0.4μ gold over 0.8μ Ni | - | - |
| #20 | Contact type | Plating | Cable acceptance (AWG) | Wire stripping length |
| Hand solder | Loaded in the connector | Min 0.4μ gold over 0.8μ Ni | 22 to 18 | 3.8 mm |
| PCB | Machined ⁽¹⁾ | Min 0.4μ gold over 0.8μ Ni | - | - |

(1): For dimensions see page 169

| Electrical Characteristics |
|---|
| <p>UL 12A 600V UL94 HB</p> <p>CSA 12A 600V UL94 HB</p> <p>IEC 4A 50V 1.5kV 3</p> |



14E18/14D18 (Shell size 14, 18x#20)



Connector Part Numbers

| Contact type | Connector type | Backshell | Part number | |
|---|--|----------------------|---------------------|---------------------|
| | | | Male insert | Female insert |
| Hand solder electrical contacts loaded see page 139 | Square flange receptacle | Without (Fig. 6) | UTS014E18P | UTS014E18S |
| | Plug | Without (Fig. 1) | UTS614E18P | UTS614E18S |
| | | Cable gland (Fig. 2) | UTS6JC14E18P | UTS6JC14E18S |
| | Jam nut receptacle | Without (Fig. 3) | UTS714E18P | UTS714E18S |
| PCB contacts loaded see page 139 | Square flange receptacle | Without (Fig. 7) | UTS014D18P | UTS014D18S |
| | Jam nut receptacle with stand off and with hold down clips | Without (Fig. 4) | UTS714D18P32 | UTS714D18S32 |
| | Jam nut receptacle with stand off and without hold down clip | Without (Fig. 5) | UTS714D18P | UTS714D18S |

Possibilities of discrimination/keying methods see page 208

Sealed unmatd

Overmoulded Cable Assembly Part Numbers

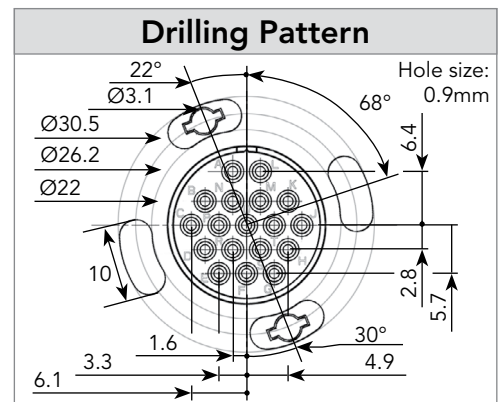
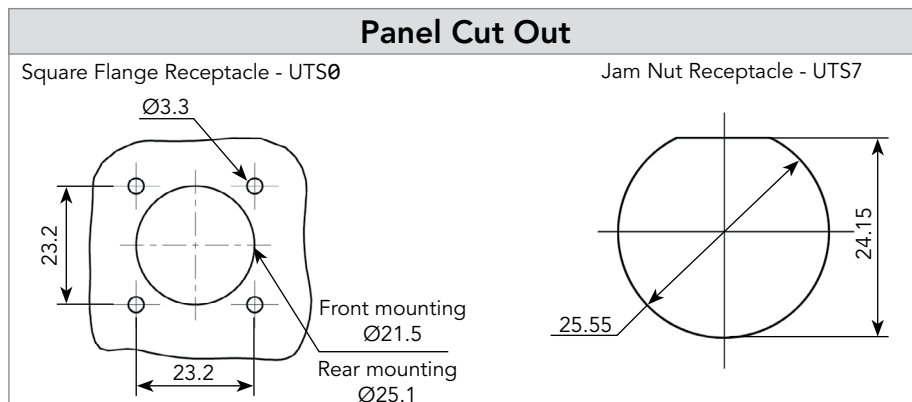
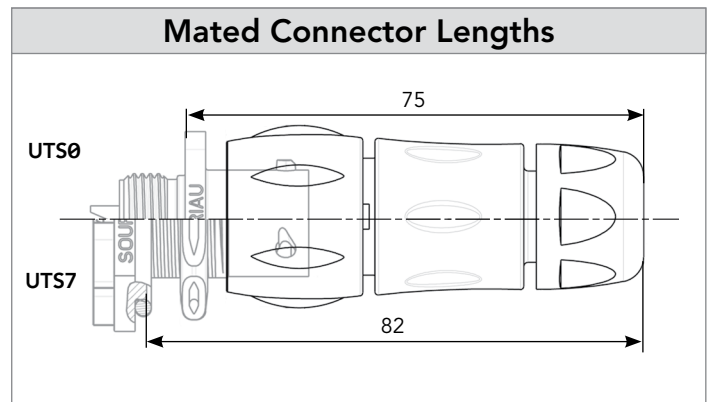
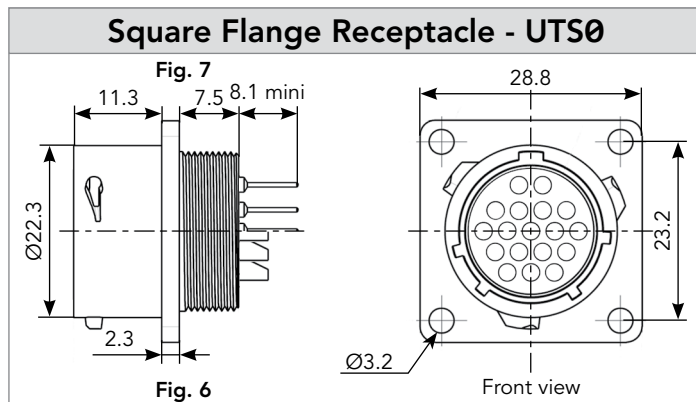
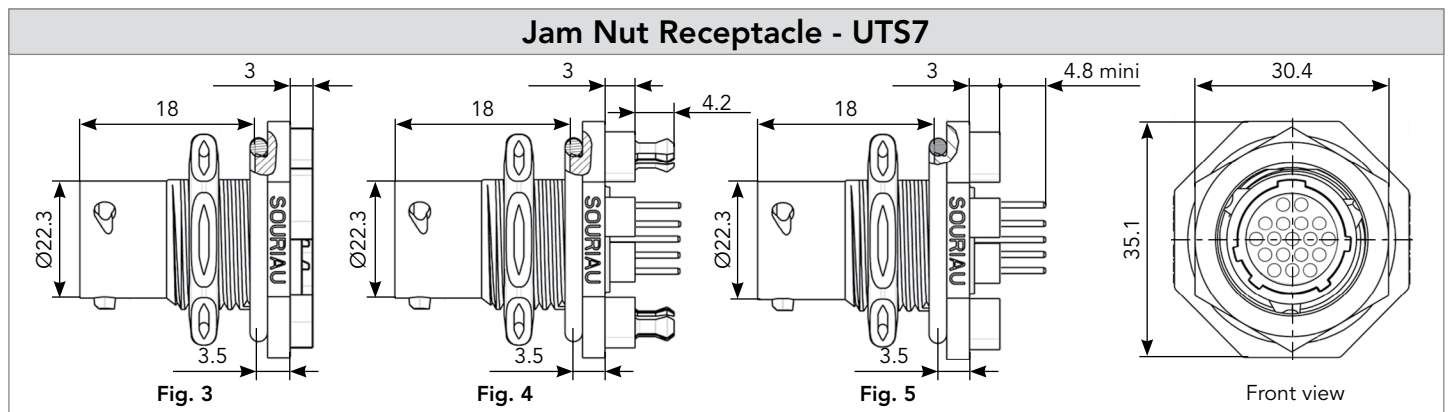
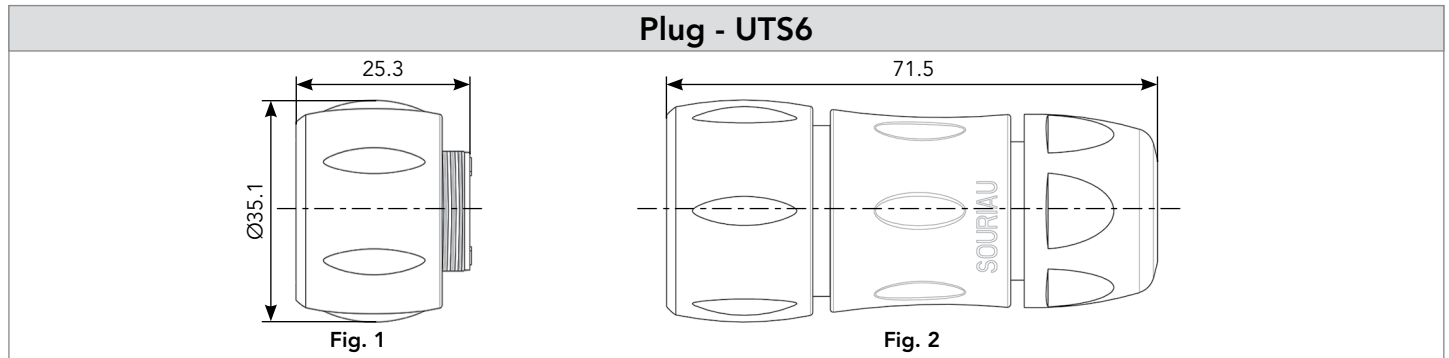
| Overmoulding type | Connector type | Wire size (mm ²) | Harmonized cable part number ⁽¹⁾ | Part number (length: 1m.)* | |
|--------------------|----------------|------------------------------|---|----------------------------|---------------------------|
| | | | | Male plug | Female plug |
| Straight ending | Plug | 0.5 | H05 VV - F 18x0.5 | HAUTS0V14E18PST100 | HAUTS0V14E18SST100 |
| Right angle ending | Plug | 0.5 | H05 VV - F 18x0.5 | HAUTS0V14E18PRA100 | HAUTS0V14E18SRA100 |

(1) Other cable available on demand

* Other lengths available on demand

14E18/14D18 (Shell size 14, 18x#20)

Dimensions



Note: Overmoulded cable assembly dimensions available page 179.

Note: all dimensions are in mm

14E18/14D18 (Shell size 14, 18x#20)

Accessories and Tooling

Jam Nut Sealing Caps



IP68/69K

| Part number | |
|-------------|--|
| UTS14DCG | |



IP68/69K Metal terminal

| Part number | |
|-------------|--|
| UTS14DCGR | |

Plug Sealing Cap



IP68/69K

| Part number | |
|-------------|--|
| UTS614DCG | |

Square Flange Sealing Cap



IP68/69K Metal terminal


| Part number | |
|-------------|--|
| UTS14DCGE | |

Plastic Protective Cap



| Part numbers | |
|----------------|----------|
| Receptacle cap | Plug cap |
| 85005588A | 85005597 |


Gasket




| Part numbers | |
|--------------|--|
| UTFD14B | |

Color Coding Rings


G for Green



Y for Yellow



R for Red



| Part numbers | |
|--------------|------------|
| Receptacles | Plugs |
| UTS714CCRR | UTS614CCRR |
| UTS714CCRY | UTS614CCRY |
| UTS714CCRG | UTS614CCRG |

14E18/14D18 (Shell size 14, 18x#20)

Contacts

| #20 | Contact type | Plating | Cable acceptance (AWG) | Wire stripping length |
|-------------|-------------------------|----------------------------|------------------------|-----------------------|
| Hand solder | Loaded in the connector | Min 0.4μ gold over 0.8μ Ni | 22 to 18 | 5 mm |
| PCB | Machined ⁽¹⁾ | Min 0.4μ gold over 0.8μ Ni | - | - |

(1): For dimensions see page 169

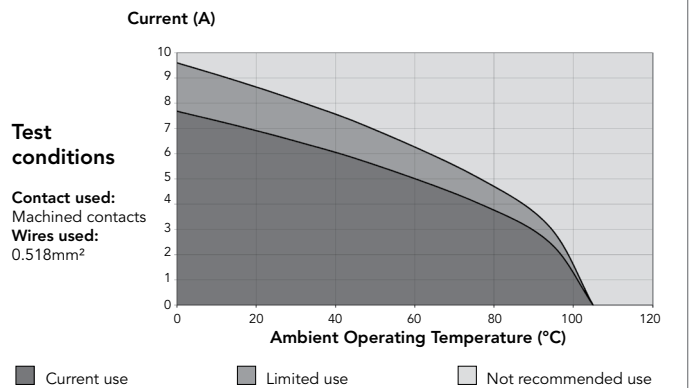
Electrical Characteristics

UL
4A 250V UL94 HB

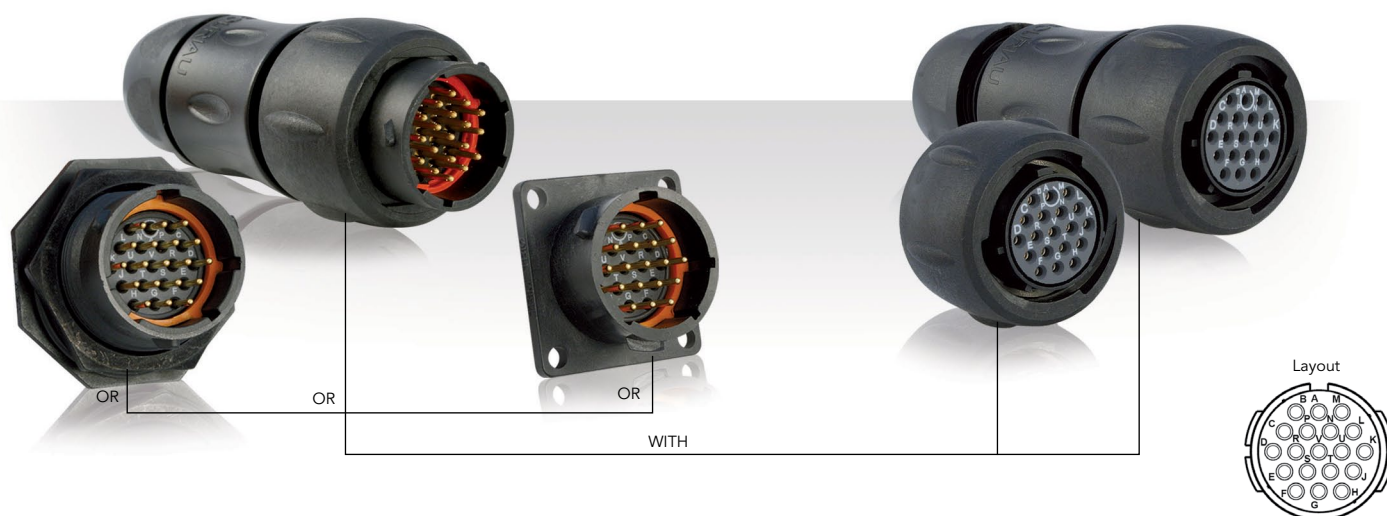
CSA
4A 250V UL94 HB

IEC
5A 50V 1.5kV 3

UTS 14E18/14D18 Derating Curves



1419 - 14E19/14D19 (Shell size 14, 19x#20)



Connector Part Numbers

| Contact type | Connector type | Backshell | Part number | |
|---|--|----------------------|---------------------|---------------------|
| | | | Male insert | Female insert |
| Crimp contacts supplied separately see page 143 | Free hanging receptacle | Cable gland (Fig. 1) | UTS1JC1419P | UTS1JC1419S |
| | Plug | Without (Fig. 2) | UTS61419P | UTS61419S |
| | Plug | Cable gland (Fig. 3) | UTS6JC1419P | UTS6JC1419S |
| | Jam nut receptacle | Without (Fig. 4) | UTS71419P | UTS71419S |
| PCB contacts supplied separately see page 143 | Jam nut receptacle | Without (Fig. 4) | UTS71419P | UTS71419S |
| Hand solder electrical contacts loaded see page 143 | Square flange receptacle | Without (Fig. 8) | UTS014E19P | UTS014E19S |
| | Plug | Without (Fig. 2) | UTS614E19P | UTS614E19S |
| | | Cable gland (Fig. 3) | UTS6JC14E19P | UTS6JC14E19S |
| | Jam nut receptacle | Without (Fig. 5) | UTS714E19P | UTS714E19S |
| PCB contacts loaded see page 143 | Square flange receptacle | Without (Fig. 9) | UTS014D19P | UTS014D19S |
| | Jam nut receptacle with stand off and with hold down clips | Without (Fig. 6) | UTS714D19P32 | UTS714D19S32 |
| | Jam nut receptacle with stand off and without hold down clip | Without (Fig. 7) | UTS714D19P | UTS714D19S |

Possibilities of discrimination/keying methods see page 208

Sealed unmeted

Overmoulded Cable Assembly Part Numbers

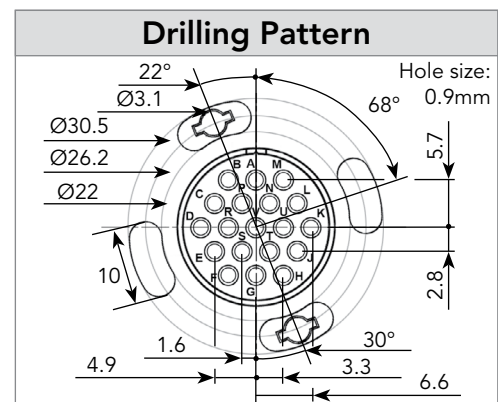
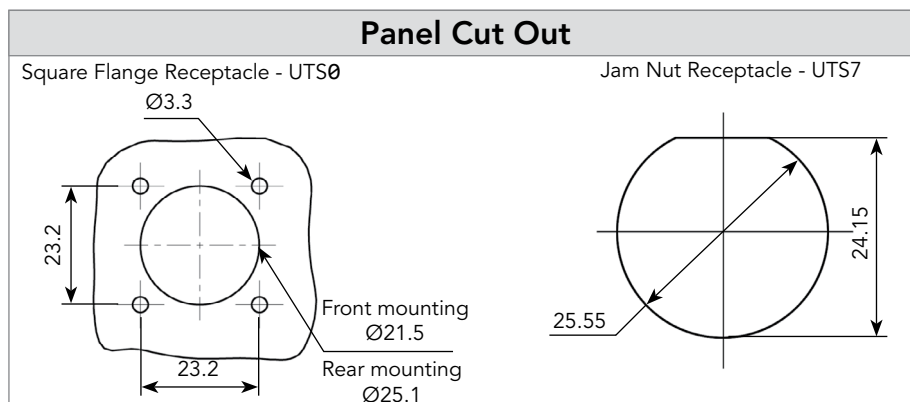
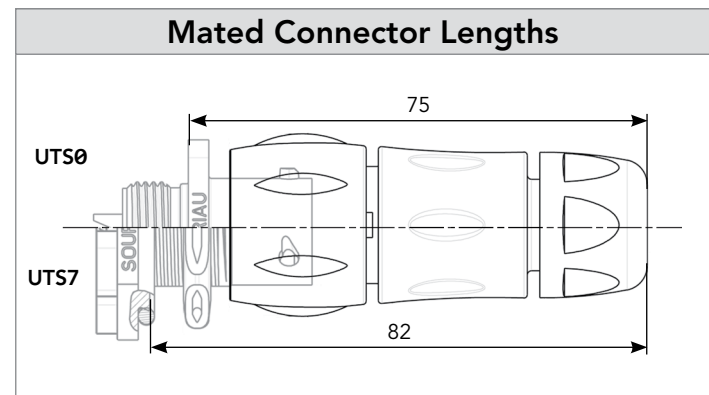
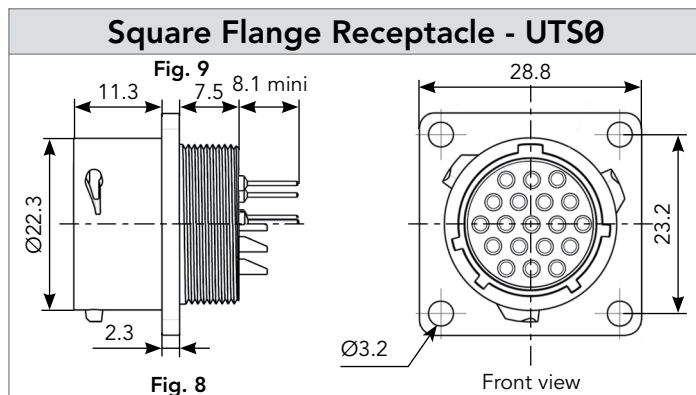
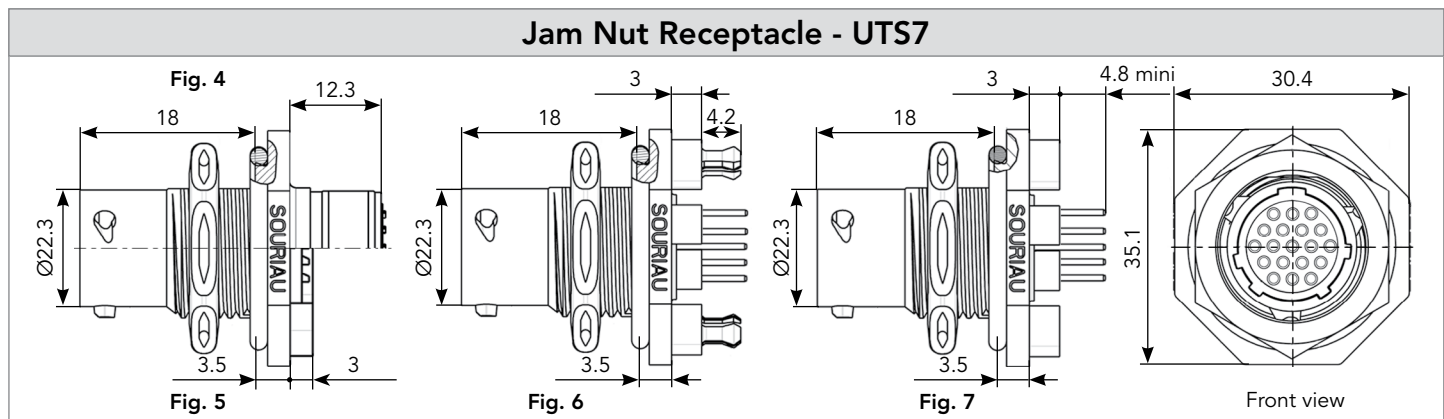
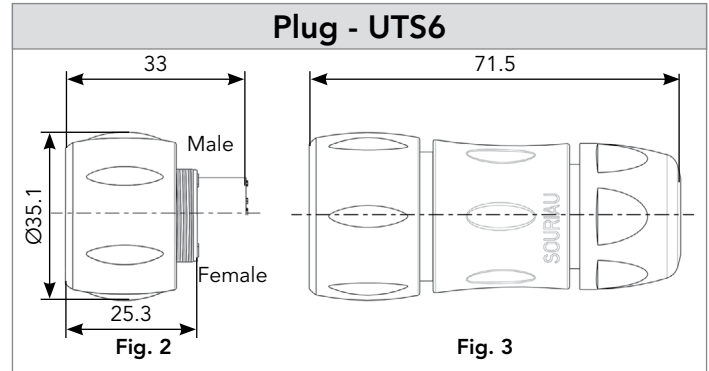
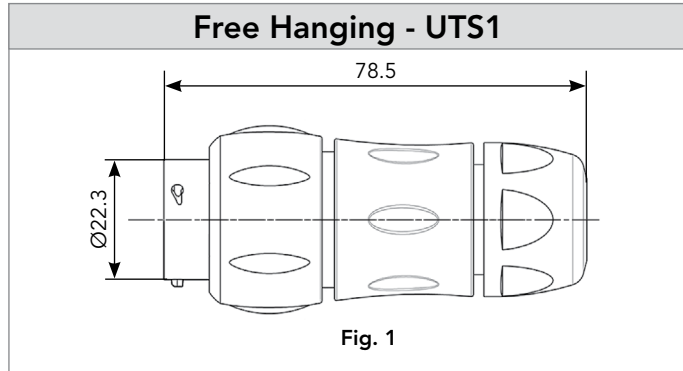
| Overmoulding type | Connector type | Wire size (mm ²) | Harmonized cable part number ⁽¹⁾ | Part number (length: 1m.)* | |
|--------------------|----------------|------------------------------|---|----------------------------|---------------------------|
| | | | | Male plug | Female plug |
| Straight ending | Plug | 0.5 | H05 VV - F 19x0.5 | HAUTS0V1419PST100 | HAUTS0V1419SST100 |
| | | | | HAUTS0V14E19PST100 | HAUTS0V14E19SST100 |
| Right angle ending | Plug | 0.5 | H05 VV - F 19x0.5 | HAUTS0V1419PRA100 | HAUTS0V1419SRA100 |
| | | | | HAUTS0V14E19PRA100 | HAUTS0V14E19SRA100 |

(1) Other cable available on demand

* Other lengths available on demand

1419 - 14E19/14D19 (Shell size 14, 19x#20)

Dimensions



Note: Overmoulded cable assembly dimensions available page 179.

Note: all dimensions are in mm

1419 - 14E19/14D19 (Shell size 14, 19x#20)

Accessories and Tooling

Jam Nut Sealing Caps



IP68/69K

| |
|-------------|
| Part number |
| UTS14DCG |



IP68/69K Metal terminal


| |
|-------------|
| Part number |
| UTS14DCGR |

Handle (without Head)



| |
|-------------|
| Part number |
| SHANDLES |

Tool Kit



| |
|-------------|
| Part number |
| TOOLKIT |

Plug Sealing Cap



IP68/69K

| |
|-------------|
| Part number |
| UTS614DCG |

Square Flange Sealing Cap



IP68/69K Metal terminal

| |
|-------------|
| Part number |
| UTS14DCGE |

Crimp Tooling (without Shandles)



| Contacts | Contact size | Part number of head |
|----------------------------|-----------------------------------|---------------------|
| RM/RC 24W3K ⁽¹⁾ | Standard contacts #20 Ø 1mm | S20RCM* |
| RM/RC 20W3K ⁽¹⁾ | | S20RCM* |
| RM/RC 18W3K ⁽¹⁾ | | S20RCM* |
| SM/SC 24WL3S | | S20SCM20* |
| SM/SC 20WL3S | | S20SCM20* |


(1): Example of plating, for other plating see page 164
*: Heads to be used with handle PN: SHANDLES

Plastic Protective Cap

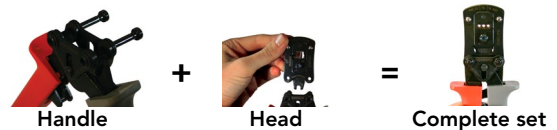


| | |
|----------------|----------|
| Part numbers | |
| Receptacle cap | Plug cap |
| 85005588A | 85005597 |


Gasket





| |
|--------------|
| Part numbers |
| UTFD14B |



Color Coding Rings

G for Green 

Y for Yellow 

R for Red 

| Part numbers | |
|--------------|------------|
| Receptacles | Plugs |
| UTS714CCRR | UTS614CCRR |
| UTS714CCRY | UTS614CCRY |
| UTS714CCRG | UTS614CCRG |

Extraction Tool #20



| |
|-------------|
| Part number |
| RX20D44 |

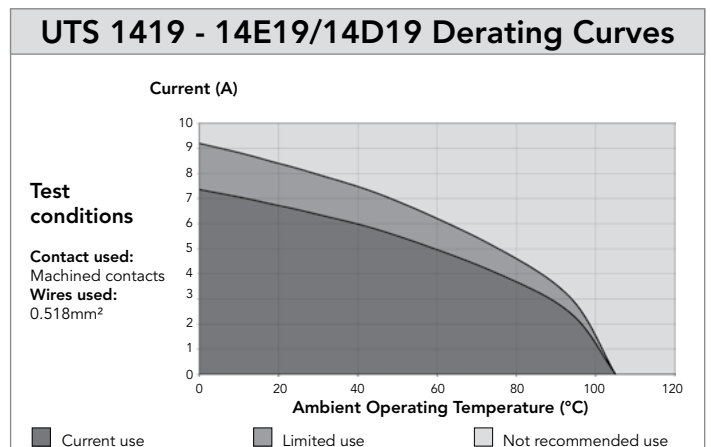
1419 - 14E19/14D19 (Shell size 14, 19x#20)

Contacts

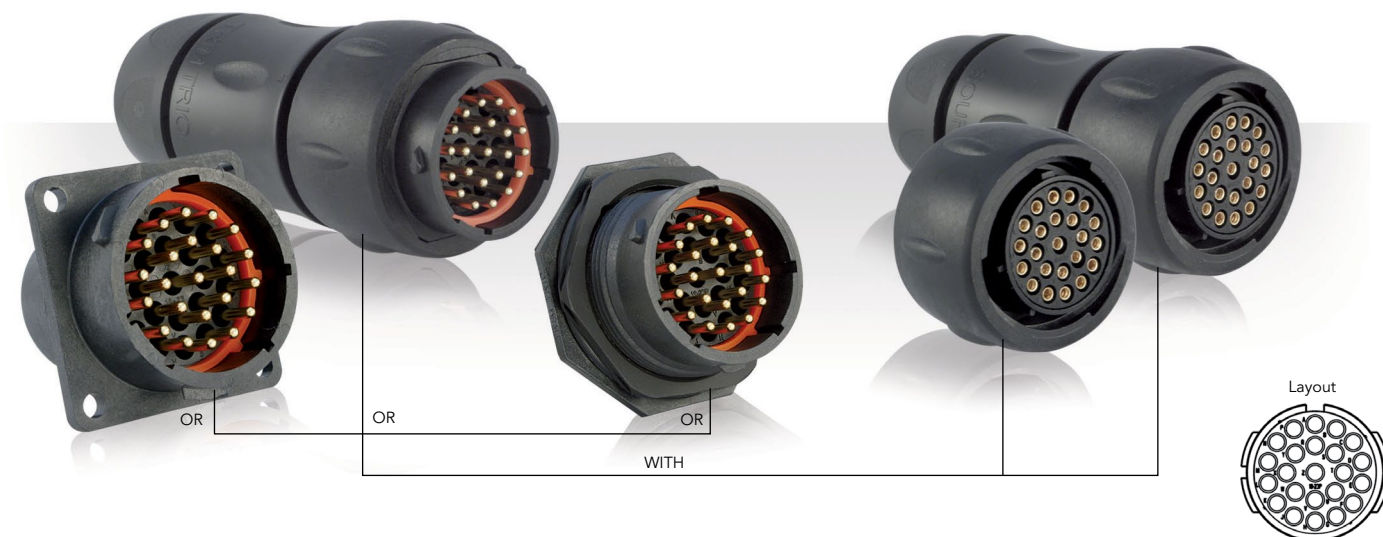
| #20 | Contact type | Wire size | | Part number | | Max wire Ø | Max insulator Ø | Wire striping length |
|-------------|--|-----------|-----------|--------------------------|--------------------------|------------|-----------------|----------------------|
| | | AWG | mm² | Male | Female | | | |
| Crimp | Machined | 26-24 | 0.13-0.25 | RM24W3K ⁽¹⁾ | RC24W3K ⁽¹⁾ | 0.80 | 1.60 | 4.80 |
| | | 22-20 | 0.32-0.52 | RM20W3K ⁽¹⁾ | RC20W3K ⁽¹⁾ | 1.15 | 1.60 | 4.80 |
| | | 20-18 | 0.50-0.93 | RM18W3K ⁽¹⁾ | RC18W3K ⁽¹⁾ | 1.30 | 2.10 | 4.80 |
| | Stamped & Formed reeled contacts See note (2) for loose piece | 26-24 | 0.13-0.25 | SM24W3TK6 ⁽²⁾ | SC24W3TK6 ⁽²⁾ | - | 0.90-1.60 | 4.00 |
| | | 26-24 | 0.13-0.25 | SM24W3S26 ⁽²⁾ | SC24W3S25 ⁽²⁾ | - | 0.90-1.60 | 4.00 |
| | | 22-20 | 0.32-0.52 | SM20W3TK6 ⁽²⁾ | SC20W3TK6 ⁽²⁾ | - | 1.20-2.10 | 4.00 |
| | | 22-20 | 0.32-0.52 | SM20W3S26 ⁽²⁾ | SC20W3S25 ⁽²⁾ | - | 1.20-2.10 | 4.00 |
| PCB | Machined ⁽³⁾ | - | - | RMW5016K | RCW5016K | - | - | - |
| Hand-solder | Loaded in the connector | 22-18 | - | - | - | - | - | 3.80 |

(1): Example of plating, for other plating see page 164 (2): Loose piece contact available if putting L. Example: SM20WL3TK6 (3): For dimensions see page 168 Note: all dimensions are in mm

| Electrical Characteristics | |
|---|---|
| UTS 1419 UL 5A 250V UL94 V-0 | UTS 14E19/14D19 UL 4A 250V UL94 HB |
| CSA 4A 250V UL94 V-0 | CSA 4A 250V UL94 HB |
| IEC 5A 32V 1.5kV 3 | |



1823 (Shell size 18, 23x#16)



Connector Part Numbers

| Contact type | Connector type | Backshell | Part number | |
|---|--------------------------|----------------------|--------------------|--------------------|
| | | | Male insert | Female insert |
| Crimp contacts supplied separately see page 147 | Square flange receptacle | Without (Fig. 1) | UTS01823P | UTS01823S |
| | Free hanging receptacle | Cable gland (Fig. 2) | UTS1JC1823P | UTS1JC1823S |
| | Plug | Without (Fig. 3) | UTS61823P | UTS61823S |
| | Plug | Cable gland (Fig. 4) | UTS6JC1823P | UTS6JC1823S |
| | Jam nut receptacle | Without (Fig. 5) | UTS71823P | UTS71823S |
| PCB contacts supplied separately see page 147 | Square flange receptacle | Without (Fig. 1) | UTS01823P | UTS01823S |
| | Jam nut receptacle | Without (Fig. 5) | UTS71823P | UTS71823S |

Possibilities of discrimination/keying methods see page 208

Overmoulded Cable Assembly Part Numbers

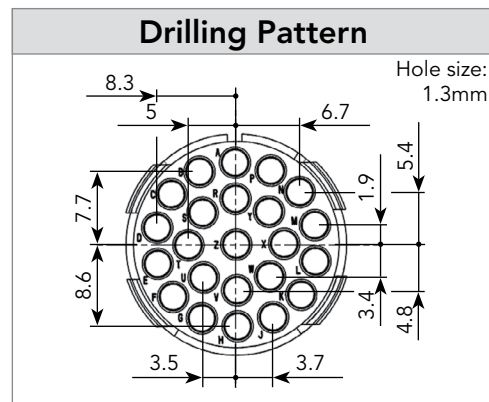
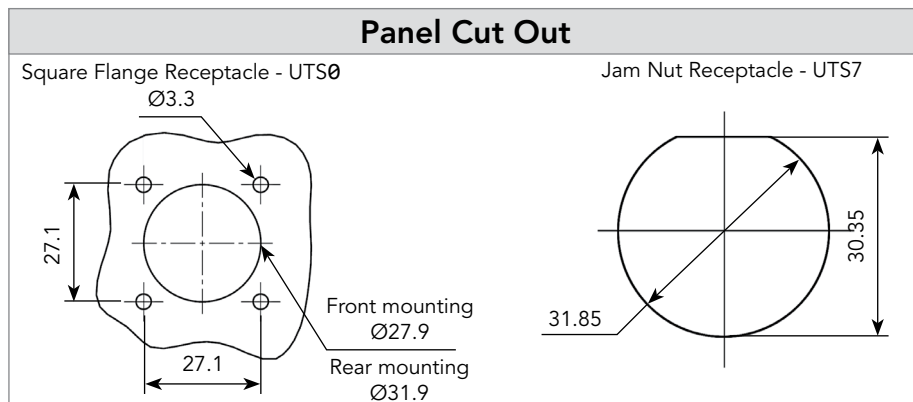
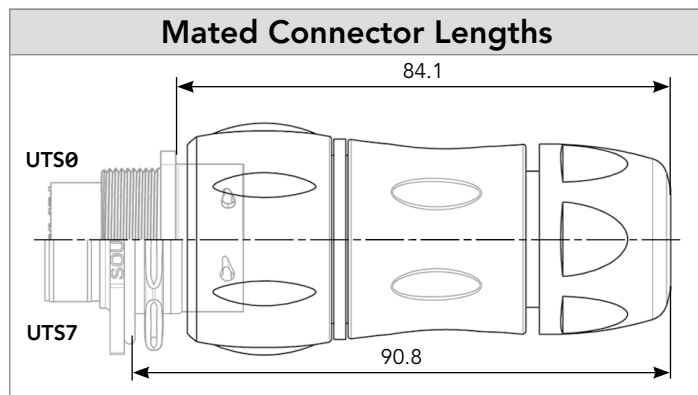
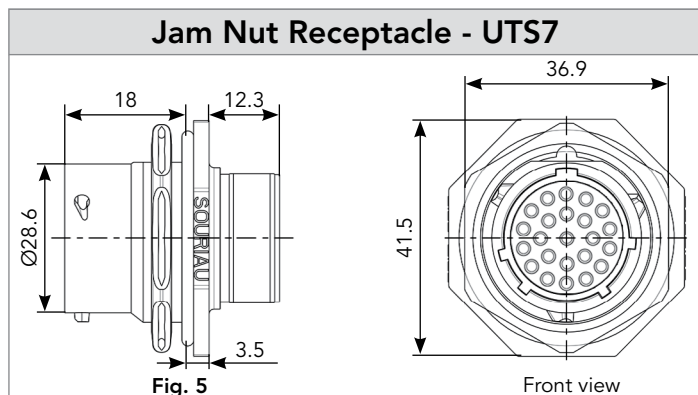
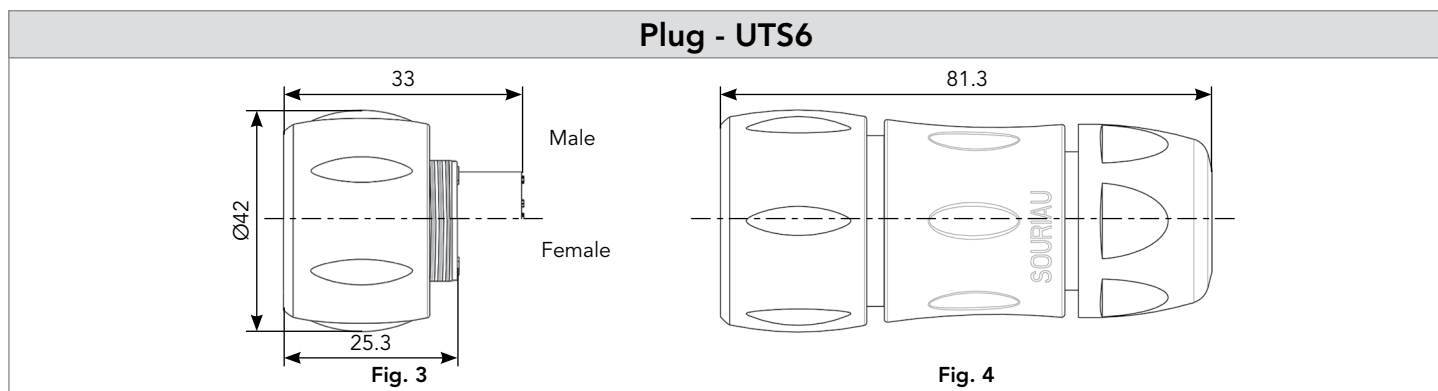
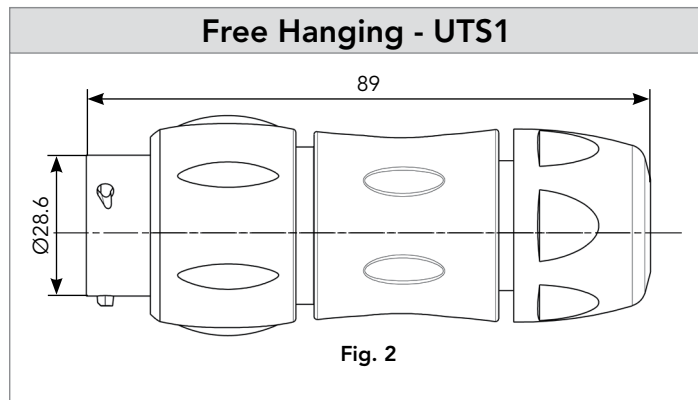
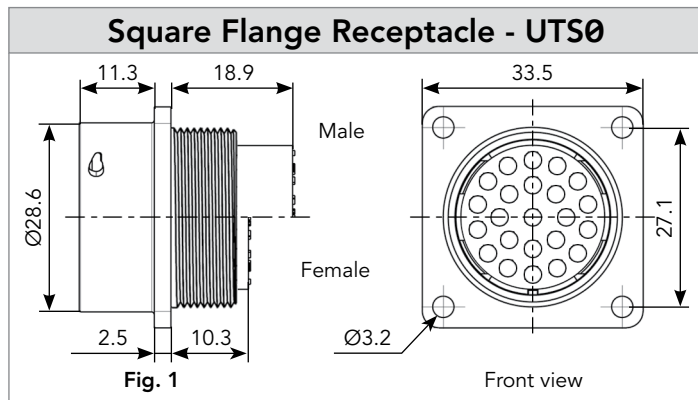
| Overmoulding type | Connector type | Wire size (mm ²) | Harmonized cable part number ⁽¹⁾ | Part number (length: 1m.)* | |
|--------------------|----------------|------------------------------|---|----------------------------|--------------------------|
| | | | | Male plug | Female plug |
| Straight ending | Plug | 1.5 | H05 VV - F 23x1.5 | HAUTS0V1823PST100 | HAUTS0V1823SST100 |
| Right angle ending | Plug | 1.5 | H05 VV - F 23x1.5 | HAUTS0V1823PRA100 | HAUTS0V1823SRA100 |

(1) Other cable available on demand

* Other lengths available on demand

1823 (Shell size 18, 23x#16)

Dimensions



Note: Overmoulded cable assembly dimensions available page 179.

Note: all dimensions are in mm

1823 (Shell size 18, 23x#16)

Accessories and Tooling

Jam Nut Sealing Caps



IP68/69K

| |
|-------------|
| Part number |
| UTS18DCG |



IP68/69K Metal terminal


| |
|-------------|
| Part number |
| UTS18DCGR |

Handle (without Head)



| |
|-------------|
| Part number |
| SHANDLES |

Tool Kit



| |
|-------------|
| Part number |
| TOOLKIT |

Plug Sealing Cap



IP68/69K

| |
|-------------|
| Part number |
| UTS618DCG |


Square Flange Sealing Cap



IP68/69K Metal terminal

| |
|-------------|
| Part number |
| UTS18DCGE |

Crimp Tooling (without Shandles)



| Contacts | Contact size | Part number of head | |
|--------------------------------|---|---------------------|--|
| RM/RC 28M1K ⁽¹⁾ | Standard contacts #16 Ø 1.6mm | S16RCM20* | |
| RM/RC 24M9K ⁽¹⁾ | | S16RCM20* | |
| RM/RC 20M13K ⁽¹⁾ | | S16RCM20* | |
| RM/RC 20M12K ⁽¹⁾ | | S16RCM20* | |
| RM/RC 16M23K ⁽¹⁾ | | S16RCM16* | |
| RM/RC 14M30K ⁽¹⁾ | | S16RCM14* | |
| SM/SC 24ML1TK6 ⁽¹⁾ | | S16SCM20* | |
| SM/SC 20ML1TK6 ⁽¹⁾ | | S16SCM20* | |
| SM/SC 16ML1TK6 ⁽¹⁾ | | S16SCML1* | |
| SM/SC 14ML1TK6 ⁽¹⁾ | | S16SCML1* | |
| SM/SC 16ML11TK6 ⁽¹⁾ | | S16SCML11* | |
| RMDXK10D28K | | Coaxial contacts | M10S1J with die set & stop bushing see page 200 to 204 |
| RCDXK1D28K | | | |
| RM/RC DX60xxD28K | | | |
| RM/RC DXK10D28 + york090 | | | |
| RM/RC DX60xxD28 | | | |


(1): Example of plating, for other plating options see page 164
* Heads to be used with handle PN: SHANDLES

Plastic Protective Cap




| Part numbers | |
|----------------|----------|
| Receptacle cap | Plug cap |
| 85005590A | 85005599 |


Gasket




| |
|--------------|
| Part numbers |
| UTFD16B |

Color Coding Rings

G for Green 

Y for Yellow 

R for Red 

| Part numbers | |
|--------------|------------|
| Receptacles | Plugs |
| UTS718CCR | UTS618CCR |
| UTS718CCRY | UTS618CCRY |
| UTS718CCRG | UTS618CCRG |



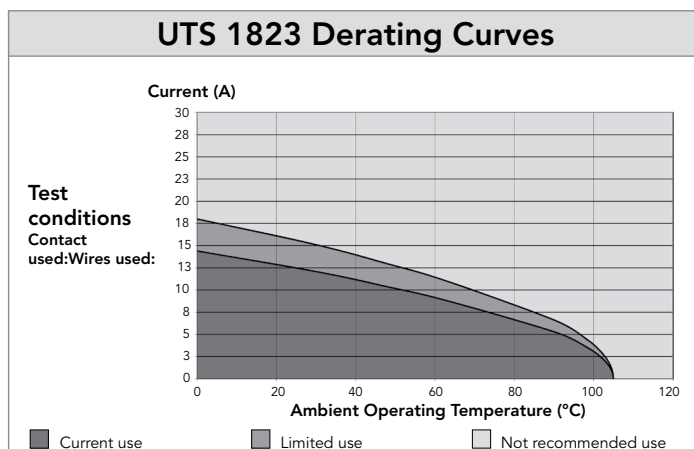
1823 (Shell size 18, 23x#16)

Contacts

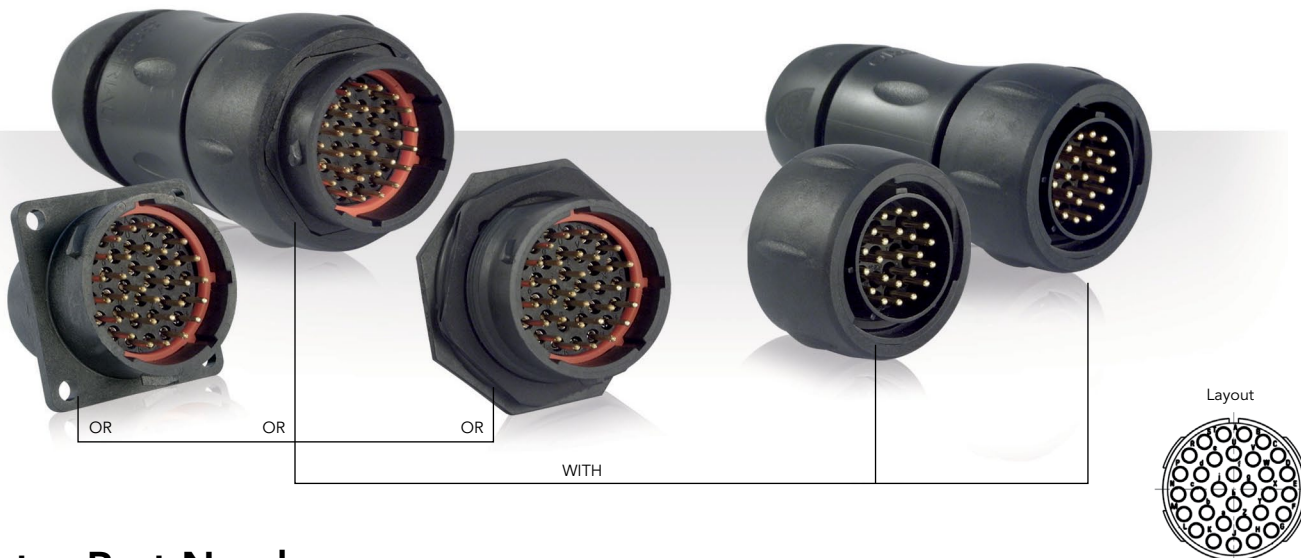
| #16 | Contact type | AWG | Part number | | Max wire Ø | Max insulator Ø |
|-------------|--|---------------------------------|------------------------------|------------------------------|------------|-----------------|
| | | | Male | Female | | |
| Crimp | Machined | 30-28 | RM28M1K ⁽¹⁾ | RC28M1K ⁽¹⁾ | 0.55 | 1.00 |
| | | 26-24 | RM24M9K ⁽¹⁾ | RC24M9K ⁽¹⁾ | 0.80 | 1.60 |
| | | 22-20 | RM20M13K ⁽¹⁾ | RC20M13K ⁽¹⁾ | 1.15 | 1.80 |
| | | 22-20 | RM20M12K ⁽¹⁾ | RC20M12K ⁽¹⁾ | 1.15 | 2.20 |
| | | 20-16 | RM16M23K ⁽¹⁾ | RC16M23K ⁽¹⁾ | 1.80 | 3.20 |
| | | 16-14 | RM14M30K ⁽¹⁾ | RC14M30K ⁽¹⁾ | 2.30 | 3.20 |
| | Stamped & Formed reeled contacts See note (2) for loose piece | 26-24 | SM24M1TK6 ⁽¹⁾⁽²⁾ | SC24M1TK6 ⁽¹⁾⁽²⁾ | - | 0.90-1.60 |
| | | 22-20 | SM20M1TK6 ⁽¹⁾⁽²⁾ | SC20M1TK6 ⁽¹⁾⁽²⁾ | - | 1.20-2.10 |
| | | 18-16 | SM16M1TK6 ⁽¹⁾⁽²⁾ | SC16M1TK6 ⁽¹⁾⁽²⁾ | - | 3.20 |
| | | 18-16 | SM16M11TK6 ⁽¹⁾⁽²⁾ | SC16M11TK6 ⁽¹⁾⁽²⁾ | - | 3.00 |
| 14 | | SM14M1TK6 ⁽¹⁾⁽²⁾ | SC14M1TK6 ⁽¹⁾⁽²⁾ | - | 3.20 | |
| PCB | Machined ⁽³⁾ | - | RM20M12E83K ⁽¹⁾ | RC20M12E84K ⁽¹⁾ | - | - |
| Coaxial | Cable Multipiece | see pages 167, 200 to 206 | RMDXK10D28 | RCDXK1D28 | - | - |
| | Cable Monocrimp | | RMDX60xxD28 | RCDX60xxD28 | - | - |
| | Twisted pair Multipiece | | RMDXK10D28 + york090 | RCDXK1D28 + york090 | - | - |
| | Twisted pair Monocrimp | | RMDX60xxD28 | RCDX60xxD28 | - | - |
| Fiber optic | POF contacts (Plastic Optical Fiber) | - | RMPOF1000 | RCPOF1000B | - | - |

(1): Example of plating, for other plating see page 164 (2): Loose piece contact available if putting L. Example: SM20ML1TK6 (3): For dimensions see page 168 Note: all dimensions are in mm

| Electrical Characteristics |
|--|
| <p>UL 10A 500V UL94 V-0</p> <p>CSA 7A 500V UL94 V-0</p> <p>IEC 9A 63V 1.5kV 3</p> |



1832 - 18E32 (Shell size 18, 32x#20)



Connector Part Numbers

| Contact type | Connector type | Backshell | Part number | |
|--|-----------------------------|----------------------|--------------------|--------------------|
| | | | Male insert | Female insert |
| Crimp Contact supplied separately see page 151 | Free hanging receptacle | Cable gland (Fig. 2) | UTS1JC1832P | UTS1JC1832S |
| | Plug | Without (Fig. 3) | UTS61832P | UTS61832S |
| | Plug | Cable gland (Fig. 4) | UTS6JC1832P | UTS6JC1832S |
| | Jam nut receptacle | Without (Fig. 5) | UTS71832P | UTS71832S |
| PCB contacts supplied separately see page 151 | Jam nut receptacle | Without (Fig. 5) | UTS71832P | UTS71832S |
| Hand solder electrical contacts loaded see page 151 | Square flange receptacle | Without (Fig. 1) | UTS018E32P | - |

Possibilities of discrimination/keying methods see page 208

Sealed unmated

Overmoulded Cable Assembly Part Numbers

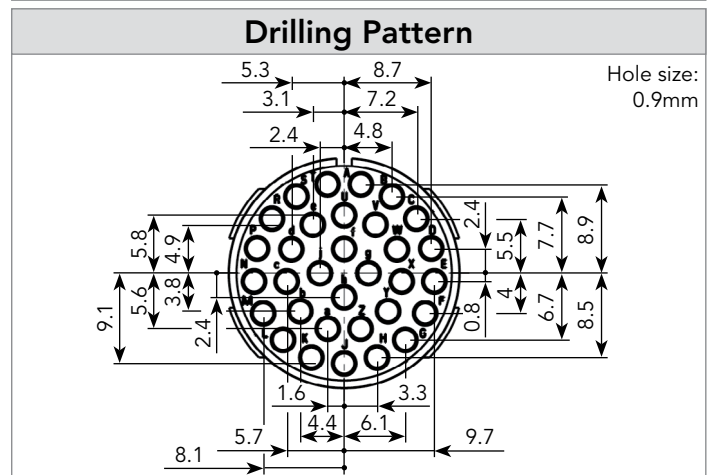
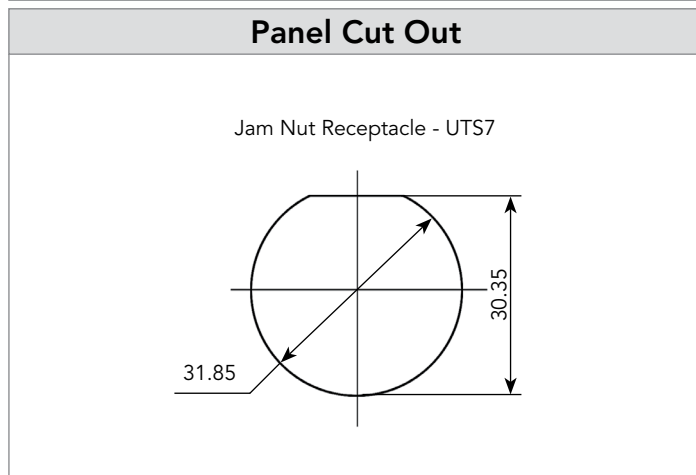
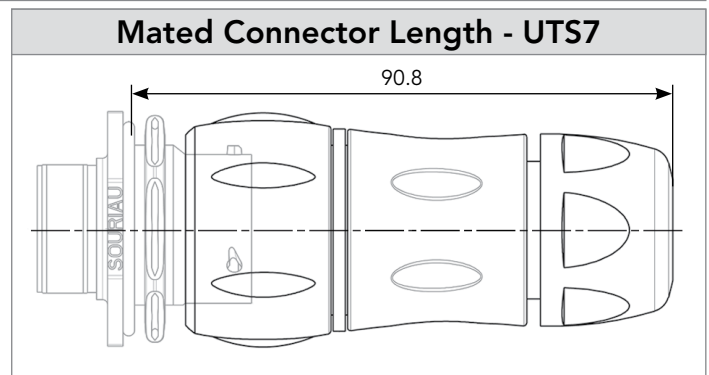
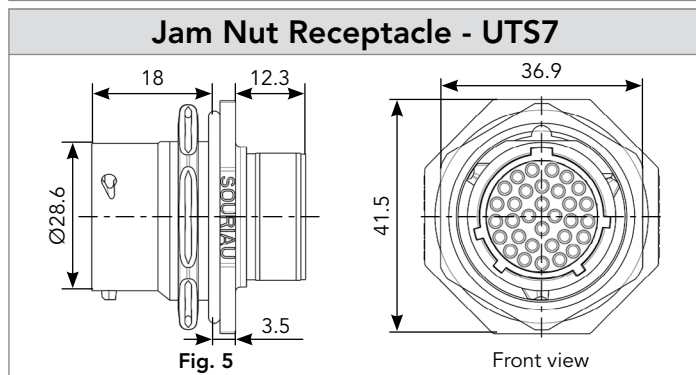
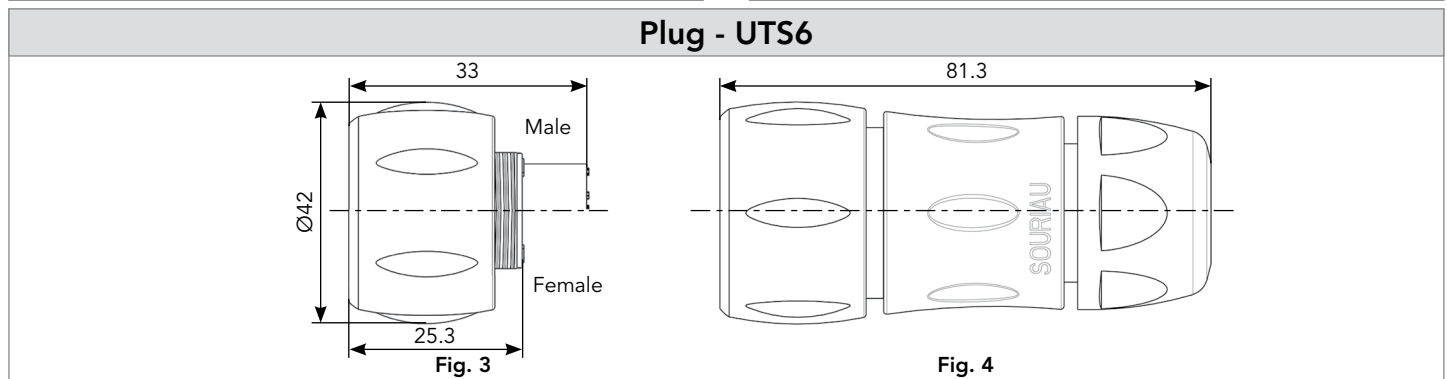
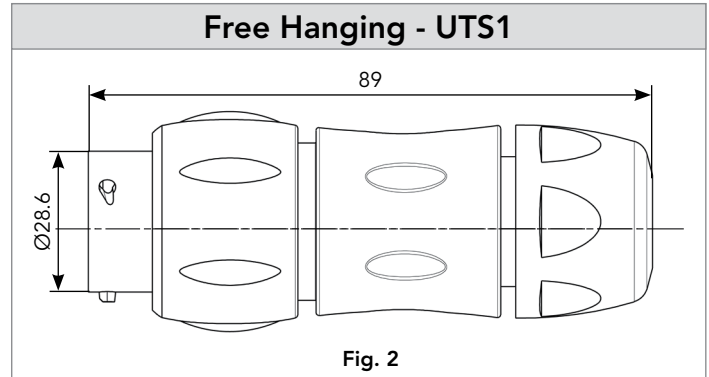
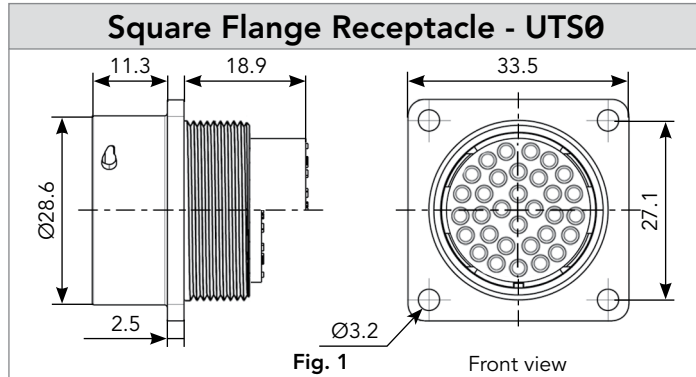
| Overmoulding type | Connector type | Wire size (mm ²) | Harmonized cable part number ⁽¹⁾ | Part number (length: 1m.)* | |
|--------------------|----------------|---------------------------------|--|----------------------------|--------------------------|
| | | | | Male plug | Female plug |
| Straight ending | Plug | 0.5 | H05 VV - F 32x0.5 | HAUTS0V1832PST100 | HAUTS0V1832SST100 |
| Right angle ending | Plug | 0.5 | H05 VV - F 32x0.5 | HAUTS0V1832PRA100 | HAUTS0V1832SRA100 |

(1) Other cable available on demand

* Other lengths available on demand

1832 - 18E32 (Shell size 18, 32x#20)

Dimensions



Note: Overmoulded cable assembly dimensions available page 179.

Note: all dimensions are in mm

1832 - 18E32 (Shell size 18, 32x#20)

Accessories and Tooling

Jam Nut Sealing Caps



IP68/69K

| |
|-------------|
| Part number |
| UTS18DCG |



IP68/69K Metal terminal


| |
|-------------|
| Part number |
| UTS18DCGR |

Handle (without Head)



| |
|-------------|
| Part number |
| SHANDLES |

Tool Kit



| |
|-------------|
| Part number |
| TOOLKIT |

Plug Sealing Cap



IP68/69K

| |
|-------------|
| Part number |
| UTS618DCG |

Square Flange Sealing Cap



IP68/69K Metal terminal

| |
|-------------|
| Part number |
| UTS18DCGE |

Crimp Tooling (without Shandles)



| Contacts | Contact size | Part number of head |
|----------------------------|-----------------------------------|---------------------|
| RM/RC 24W3K ⁽¹⁾ | Standard contacts #20 Ø 1mm | S20RCM* |
| RM/RC 20W3K ⁽¹⁾ | | S20RCM* |
| RM/RC 18W3K ⁽¹⁾ | | S20RCM* |
| SM/SC 24WL3S | | S20SCM20* |
| SM/SC 20WL3S | | S20SCM20* |


(1): Example of plating, for other plating see page 164
*: Heads to be used with handle PN: SHANDLES

Plastic Protective Cap

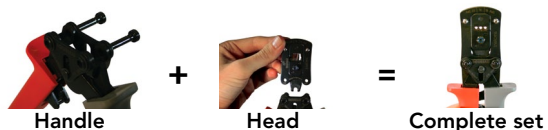


| Part numbers | |
|----------------|----------|
| Receptacle cap | Plug cap |
| 85005590A | 85005599 |


Gasket





| |
|--------------|
| Part numbers |
| UTFD16B |



Color Coding Rings

G for Green 

Y for Yellow 

R for Red 

| Part numbers | |
|--------------|------------|
| Receptacles | Plugs |
| UTS718CCRR | UTS618CCRR |
| UTS718CCRY | UTS618CCRY |
| UTS718CCRG | UTS618CCRG |

Extraction Tool #20



| |
|-------------|
| Part number |
| RX20D44 |

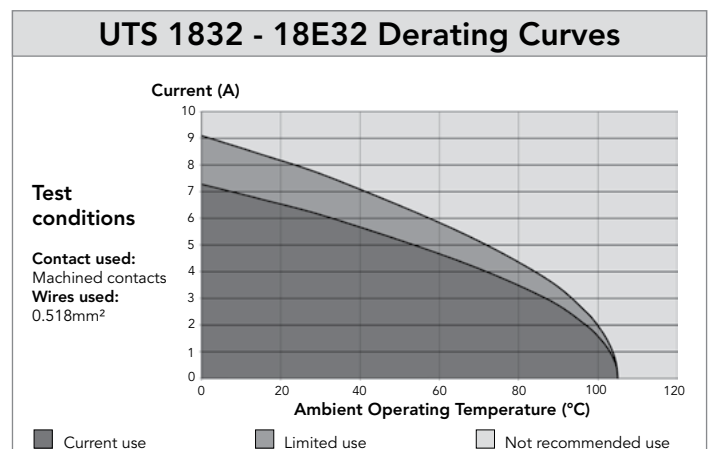
1832 - 18E32 (Shell size 18, 32x#20)

Contacts

| #20 | Contact type | Wire size | | Part number | | Max wire Ø | Max insulator Ø | Wire striping length |
|-------------|--|-----------|-----------------|--------------------------|--------------------------|------------|-----------------|----------------------|
| | | AWG | mm ² | Male | Female | | | |
| Crimp | Machined | 26-24 | 0.13-0.25 | RM24W3K ⁽¹⁾ | RC24W3K ⁽¹⁾ | 0.80 | 1.60 | 4.80 |
| | | 22-20 | 0.32-0.52 | RM20W3K ⁽¹⁾ | RC20W3K ⁽¹⁾ | 1.15 | 1.60 | 4.80 |
| | | 20-18 | 0.50-0.93 | RM18W3K ⁽¹⁾ | RC18W3K ⁽¹⁾ | 1.30 | 2.10 | 4.80 |
| | Stamped & Formed reeled contacts See note (2) for loose piece | 26-24 | 0.13-0.25 | SM24W3TK6 ⁽²⁾ | SC24W3TK6 ⁽²⁾ | - | 0.90-1.60 | 4.00 |
| | | 26-24 | 0.13-0.25 | SM24W3S26 ⁽²⁾ | SC24W3S25 ⁽²⁾ | - | 0.90-1.60 | 4.00 |
| | | 22-20 | 0.32-0.52 | SM20W3TK6 ⁽²⁾ | SC20W3TK6 ⁽²⁾ | - | 1.20-2.10 | 4.00 |
| | | 22-20 | 0.32-0.52 | SM20W3S26 ⁽²⁾ | SC20W3S25 ⁽²⁾ | - | 1.20-2.10 | 4.00 |
| PCB | Machined ⁽³⁾ | - | - | RMW5016K | RCW5016K | - | - | - |
| Hand-solder | Loaded in the connector | 18-22 | - | - | - | - | - | 3.80 |

(1): Example of plating, for other plating see page 164 (2): Loose piece contact available if putting L. Example: SM20WL3TK6 (3): For dimensions see page 168 Note: all dimensions are in mm

| Electrical Characteristics |
|---|
| <p>UL 5A 250V UL94 V-0</p> <p>CSA 4A 250V UL94 V-0</p> <p>IEC 4A 32V 1.5kV 3</p> |



LC

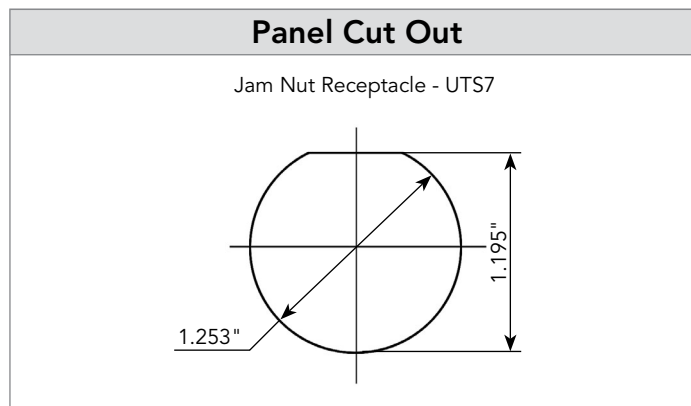
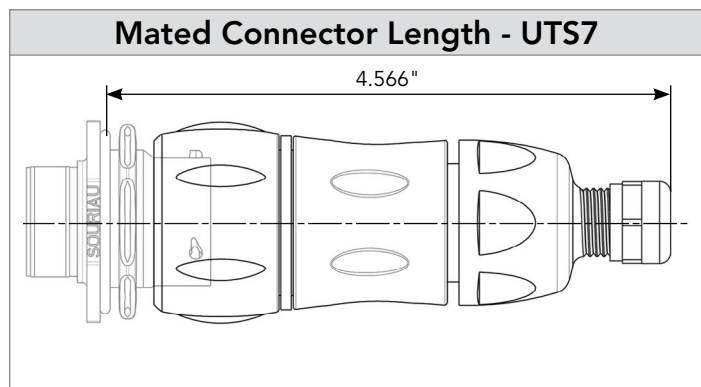
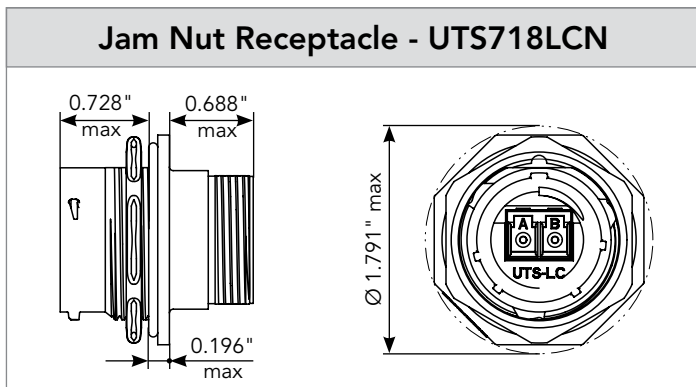
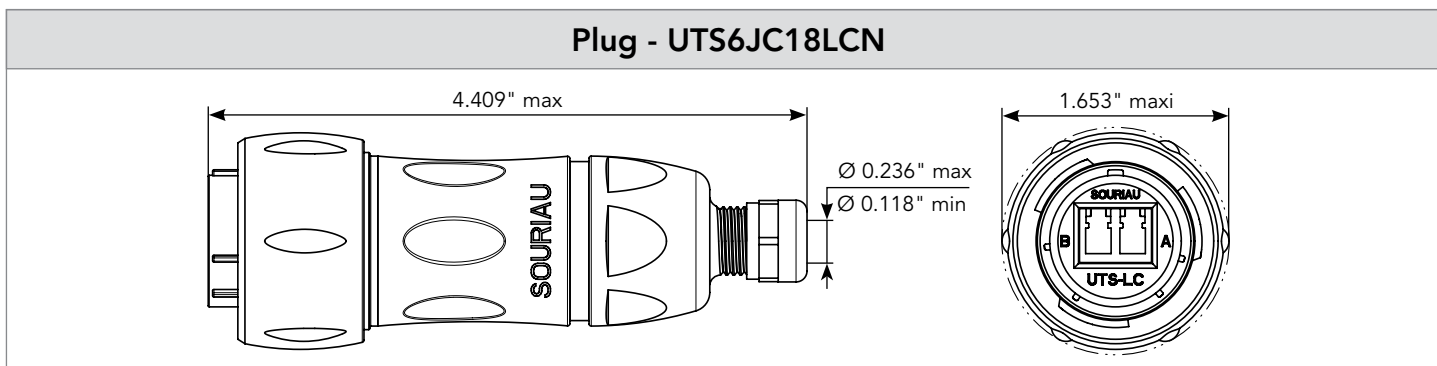
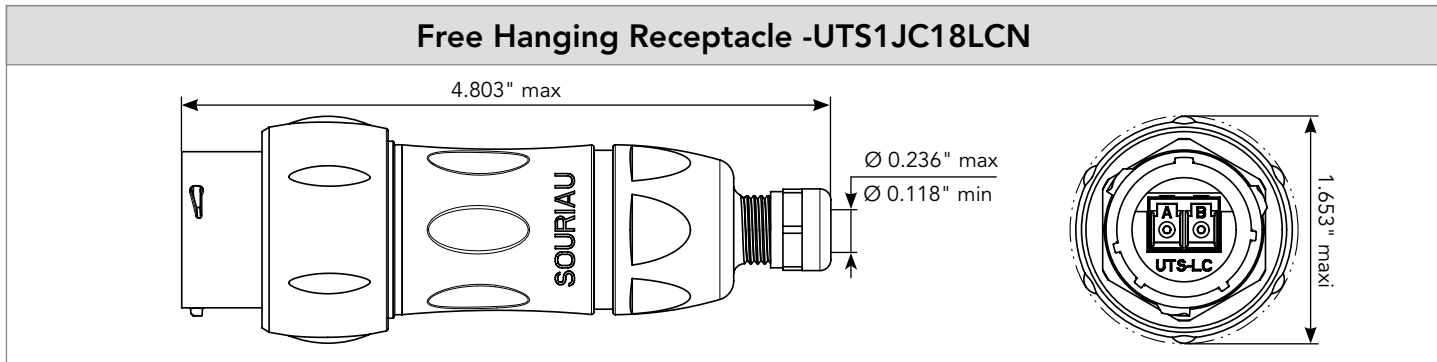


Connector Part Numbers

| Connector type | Backshell | Part number | |
|-------------------------|-------------|--------------------|--------------------|
| | | Male insert | Female insert |
| Free hanging receptacle | Cable gland | UTS1JC18LCN | - |
| Plug | Cable gland | - | UTS6JC18LCN |
| Jam nut receptacle | Without | UTS718LCN | - |

LC

Dimensions

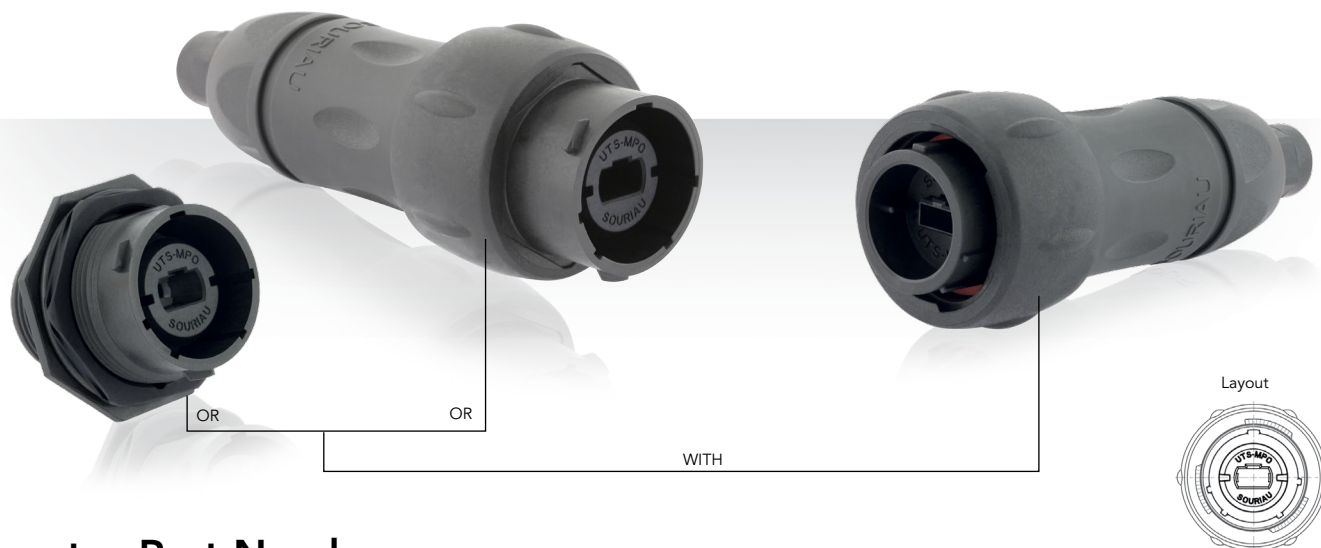


LC

Accessories

| Sealing Caps | | | | | |
|--|-------------|------------|--|-------------|-----------|
| <p>For UTS6JC18LCN</p>  <table border="1"><tr><th>Part number</th></tr><tr><td>UTS618DCG2</td></tr></table> | Part number | UTS618DCG2 | <p>For UTS1JC18LCN & UTS718LCN</p>  <table border="1"><tr><th>Part number</th></tr><tr><td>UTS18DCG2</td></tr></table> | Part number | UTS18DCG2 |
| Part number | | | | | |
| UTS618DCG2 | | | | | |
| Part number | | | | | |
| UTS18DCG2 | | | | | |

MPO

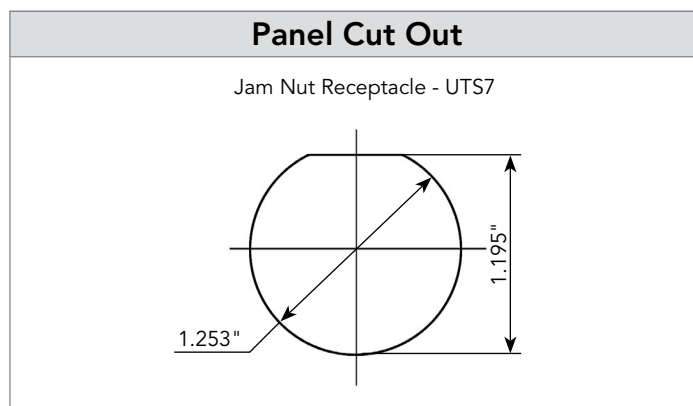
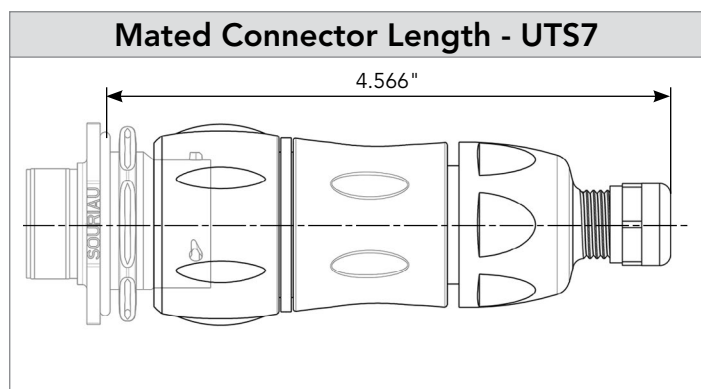
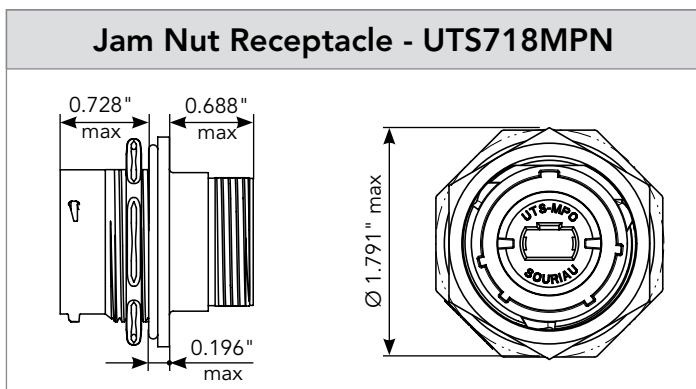
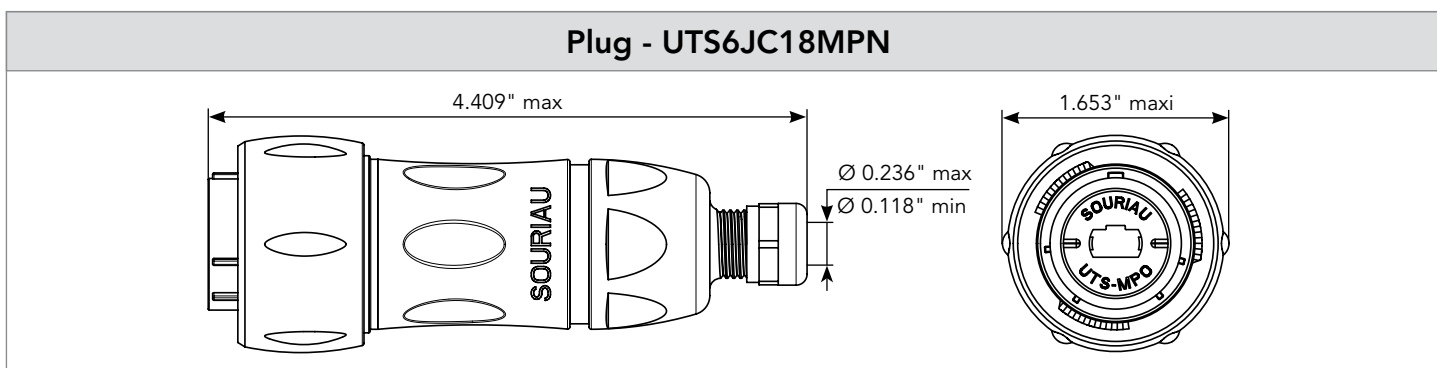
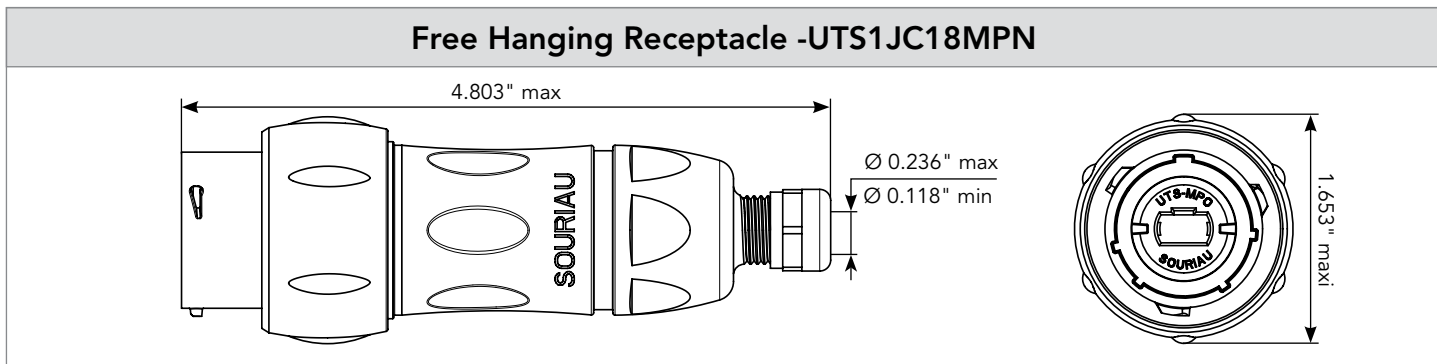


Connector Part Numbers

| Connector type | Backshell | Part number | |
|-------------------------|-------------|--------------------|--------------------|
| | | Male insert | Female insert |
| Free hanging receptacle | Cable gland | UTS1JC18MPN | - |
| Plug | Cable gland | - | UTS6JC18MPN |
| Jam nut receptacle | Without | UTS718MPN | - |

MPO

Dimensions



MPO

Accessories

| Sealing Caps | | | |
|---|---|-------------|------------|
| <p>For UTS6JC18MPN</p>  | <table border="1"><tr><th>Part number</th></tr><tr><td>UTS618DCG2</td></tr></table> | Part number | UTS618DCG2 |
| Part number | | | |
| UTS618DCG2 | | | |
| <p>For UTS1JC18MPN & UTS718MPN</p>  | <table border="1"><tr><th>Part number</th></tr><tr><td>UTS18DCG2</td></tr></table> | Part number | UTS18DCG2 |
| Part number | | | |
| UTS18DCG2 | | | |

UTS SERIES

Contacts

| | |
|--|-----|
| ■ Description | 162 |
| ■ Contact Plating Selector Guide | 163 |
| ■ Contact Selector Guide | 164 |
| ■ Packaging | 164 |
| ■ Crimp Contacts | 165 |
| ■ #16 Coaxial Contacts | 167 |
| ■ PCB Contacts | 168 |
| ■ Fiber Optic Contacts | 169 |

Contacts



Description

The UTS series is delivered with (solder and PCB versions) or without contact (crimp version) and offers the unique feature to use the same contact style in any layout with the same active part size (i.e. #20, #16, #12, etc.). This provides our customers with an easy solution to buy only one type of contact to equip all their connectors even if housings/shell sizes are different.

This provides the benefit of standardisation and subsequent reduced inventory costs. In addition, it eliminates the need for added tooling and simplifies the assembly process. SOURIAU contacts are designed for simple snap-in installation and further eliminate the need for insertion tooling.

In addition to the below "crimp" style contact options, the UTS series can also be equipped with PCB contacts.

Crimp contacts are available in different versions:



• Machined



• Stamped & Formed



• Coaxial



• Fiber Optic

Contact Plating Selector Guide

Once the contact size has been selected, the next step is to decide on which type to use. SOURIAU offers two main types of electrical contacts:

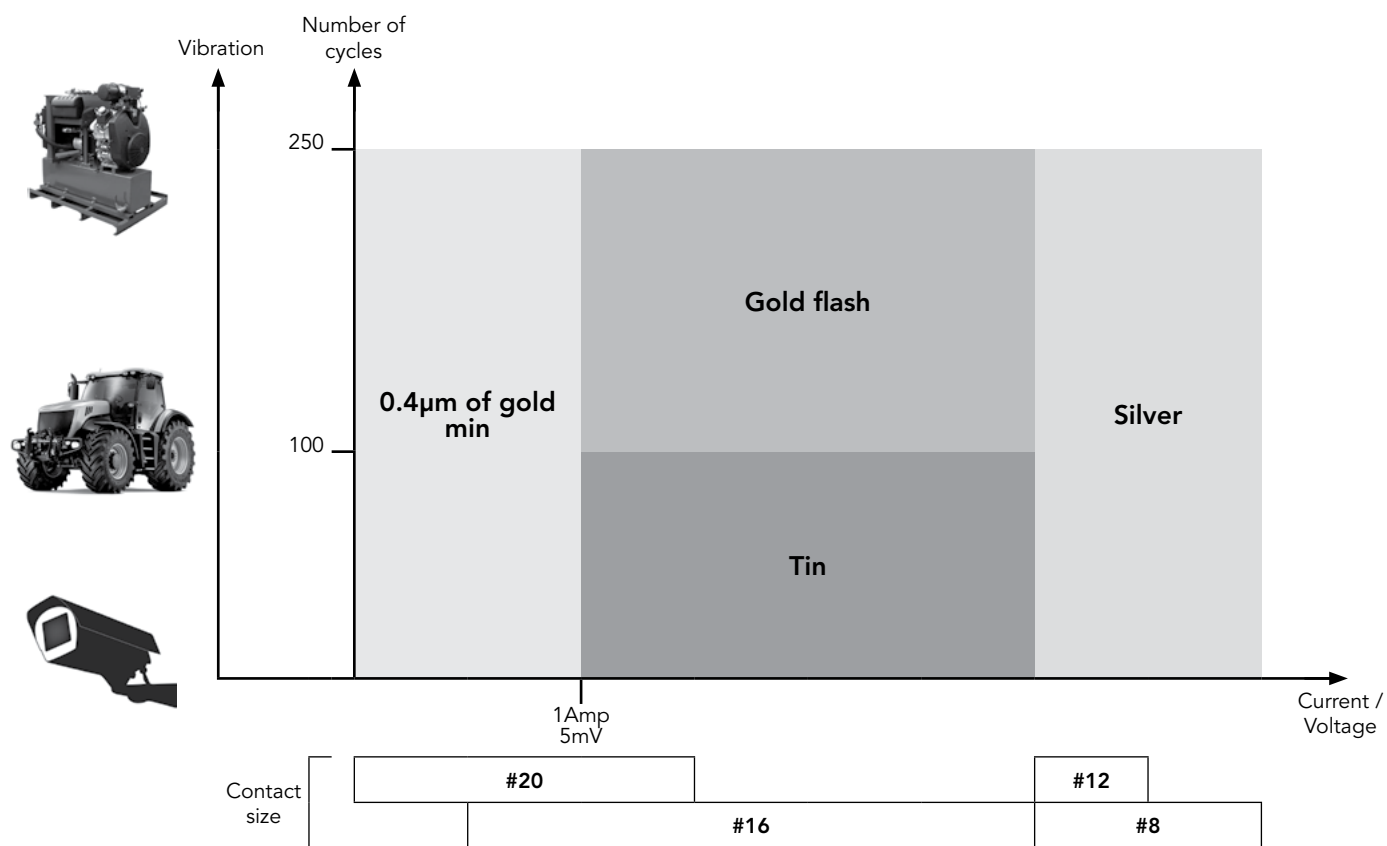
- Machined
- Stamped & Formed

Machined contacts are generally chosen as a better solution for power applications or when lower quantities are needed. Stamped & Formed contacts offer the ability to be crimped automatically which makes them more suitable for high volume production applications.

The next decision to make is: What plating should I choose?

The graph below can help guide you to plating recommendations based on application, mating cycles and current/voltage needs.

Note: do not mix different platings (i.e. tin plated pin contacts with gold plated socket contacts).



Contact Selector Guide

Contact supplied separately

| Electrical characteristics: contact resistance | | |
|--|------------------|-------|
| #20 Ø1mm | Machined | < 6mΩ |
| | Stamped & Formed | < 6mΩ |
| #16 Ø1.6mm | Machined | < 3mΩ |
| | Stamped & Formed | < 6mΩ |
| #12 Ø2.4mm | Machined | < 5mΩ |
| #8 Ø3.6mm | Machined | < 5mΩ |

| Available platings (contact supplied separately) | |
|---|---|
| A | 2μ Ni + 2μ Ag |
| J | Gold flash over 2μ Ni |
| K | Min 0.4μ gold over 2μ Ni |
| S31 | Active part: Gold flash over Ni Crimp area: Nickel |
| S18 | Active part: 0.75μ gold min over 2μ Ni Crimp area: 1.3μ tin over Ni Other: Nickel |
| S25 S26 | Active part: 0.75μ Au over Ni Crimp area: flash Au over Ni |
| TK6 | 2-5μ Sn pre-plated |
| D70 | Superseded by S31 |
| S6 | Superseded by S18 |
| Other platings on request (contact supplied separately) | |
| T | T: 2μ Ni mini all over + 3 to 5 μm Sn all over |
| D28 | 0.75μ gold over Ni |
| NPC | 2 μm Ni |

Contact preloaded

| Electrical characteristics: contact resistance | | |
|--|----------|-------|
| #20 Ø1mm | Machined | < 4mΩ |
| #16 Ø1.6mm | Machined | < 3mΩ |

| Available plating (contact preloaded) | |
|---------------------------------------|--|
| Min 0.4μ gold over 0.8μ Ni | |

Packaging

Due to the wide variety of applications, contact packaging is offered for small series (bulk package) and high volume production (reeled contacts):

Size contacts #20 (Ø1mm) & #16 (Ø1.6mm)



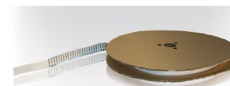
- 25 pieces loose package (Stamped & Formed contacts)



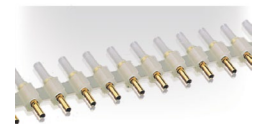
- 50 pieces bulk package (Machined contacts)



- 1,000 pieces bulk package (Machined contacts)



- 3,000 pieces reeled (Stamped & Formed contacts)



- 2,000 pieces reeled (Machined contacts)

Size contacts #12 (Ø2.4mm) & #8 (Ø3.6mm)



- 100 pieces bulk package (Machined contacts)

Note: 1,000 pieces bulk package available by adding 1000 at the end of the part number: e.g. RC16M23K1000
2,000 pieces reeled package available by adding K at the beginning of the part number: e.g. KRC16M23K

Crimp Contacts

Standard Version



| Contact size | Type | Wire size | | Part number | | Max wire Ø | Max insulator Ø | Available plating see page 156 | |
|------------------|------------------|-----------|-----------------|---------------------------------|---------------------------------|-------------------------------|--------------------|-----------------------------------|-----------------------------------|
| | | AWG | mm ² | Male | Female | | | | |
| #20 Ø1 mm | Machined | 26-24 | 0.13-0.20 | RM24W3K | RC24W3K | - | 1.58 max | K | |
| | Stamped & Formed | 26-24 | 0.13-0.25 | SM24W3 - (1) | SC24W3 - (1) | - | 0.89-1.58 | TK6 S25 (female) S26 (male) | |
| | | | | SM24WL3 - (2) | SC24WL3 - (2) | - | | | |
| | Machined | 22-20 | 0.32-0.52 | 0.35-0.5 | RM20W3K | RC20W3K | - | 1.58 max | K |
| | | | | | SM20W3 - (1) | SC20W3 - (1) | - | 1.17-2.08 | TK6 S25 (female) S26 (male) |
| | | | SM20WL3 - (2) | SC20WL3 - (2) | - | | | | |
| Machined | 20-18 | 0.50-0.93 | | RM18W3K | RC18W3K | | 2.10 max | K | |
| #16 Ø1.6 mm | Machined | 30-28 | 0.05-0.08 | RM28M1 - | RC28M1 - | 0.55 | 1.1 | K, J | |
| | Machined | 26-24 | 0.13-0.2 | RM24M9 - | RC24M9 - | 0.8 | 1.6 | K, J | |
| | Stamped & Formed | 26-24 | 0.13-0.25 | | SM24M1 - (1) SM24ML1 - (2) | SC24M1 - (1) SC24ML1 - (2) | 0.89-1.28 | Insulation grip | S31, S18, TK6 |
| | | | | | | | | | |
| | Machined | 22-20 | 0.32-0.52 | | RM20M13 - RM20M12 - | RC20M13 - RC20M12 - | 1.18 | 1.8 2.2 | K, J |
| | | | | | | | | | |
| | Stamped & Formed | 22-20 | 0.35-0.5 | | SM20M1 - (1) SM20ML1 - (2) | SC20M1 - (1) SC20ML1 - (2) | 1.17-2.08 | Insulation grip | S31, S18, TK6 |
| | | | | | | | | | |
| | Machined | 20-16 | 0.52-1.5 | | RM16M23 - | RC16M23 - | 1.8 | 3.2 | K, J |
| | Stamped & Formed | 18-16 | 0.8-1.5 | | SM16M1 - (1) SM16ML1 - (2) | SC16M1 - (1) SC16ML1 - (2) | 3.0 | No insulation grip | S31, S18, TK6 |
| | | | | | | | | | |
| Stamped & Formed | 18-16 | 0.8-1.5 | | SM16M11 - (1) SM16ML11 - (2) | SC16M11 - (1) SC16ML11 - (2) | 2.0-3.0 | Insulation grip | S31, S18, TK6 | |
| | | | | | | | | | |
| Machined | 16-14 | 1.5-2.5 | | RM14M30 - | RC14M30 - | 2.28 | 3.2 | K, J | |
| Stamped & Formed | 14 | 2.0-2.5 | | SM14M1 - (1) SM14ML1 - (2) | SC14M1 - (1) SC14ML1 - (2) | 3.2 | No insulation grip | S31, S18, TK6 | |
| | | | | | | | | | |
| #12 Ø2.4 mm | Machined | 22 | 0.13-0.4 | 82911457N - | 82911456 - | - | 4.9 | A, K | |
| | | 20 | 0.5 | 82911459N - | 82911458 - | | | | |
| | | 18 | 0.75-1.0 | 82911461N - | 82911460 - | | | | |
| | | 16 | 1.5 | 82911463N - | 82911462 - | | | | |
| | | 14 | 2.5 | 82911465N - | 82911464 - | | | | |
| | | 12 | 4 | 82911467N - | 82911466 - | | | | |
| #8 Ø3.6 mm | Machined | 16 | 1.5 | 82913601A | 82913600A | - | 6.5 | A | |
| | | 14 | 2.5 | 82913603A | 82913602A | | | | |
| | | 12 | 4 | 82913605A | 82913604A | | | | |
| | | 10 | 6.0 | 82913607A | 82913606A | | | | |
| | | 8 | 10.0 | 82913609A | 82913608A | | | | |

(1) contact reeled (2) loose contact
Example: RM24W3K - Size #20, Machined, AWG24 wire.

Note: all dimensions are in mm

Crimp Contacts (Continued)

First Mate Last Break Contacts

| Contact size | Type | Wire size | | Part number | | Max wire Ø (mm) | Max insulator Ø (mm) | Color band | | Available plating see p. 156 |
|---|----------|-----------|-----------------|-------------|-------------|-----------------|----------------------|------------|------|------------------------------|
| | | AWG | mm ² | Male | Female | | | Front | Rear | |
| #16 Ø1.6 mm Longer male contact (+1mm) | Machined | 30-28 | 0.05-0.08 | RM28M1GE1K | - | 0.55 | 1.1 | - | Red | K |
| | | 26-24 | 0.13-0.2 | RM24M9GE1K | | 0.8 | 1.6 | Red | Red | |
| | | 22-20 | 0.32-0.52 | RM20M13GE1K | | 1.18 | 1.8 | Black | Red | |
| | | | | RM20M12GE1K | | | 2.2 | Blue | Red | |
| | | 20-16 | 0.52-1.5 | RM16M23GE1K | | 1.8 | 3.2 | - | Red | |
| | | 16-14 | 1.5-2.5 | RM14M30GE1K | | 2.28 | - | - | Red | |
| #16 Ø1.6 mm Shorter female contact (-0.7mm) | Machined | 30-28 | 0.05-0.08 | - | RC28M1GE7K | 0.55 | 1.1 | - | Blue | K |
| | | 26-24 | 0.13-0.2 | | RC24M9GE7K | 0.8 | 1.6 | Red | Blue | |
| | | 22-20 | 0.32-0.52 | | RC20M13GE7K | 1.18 | 1.8 | Black | Blue | |
| | | | | | RC20M12GE7K | | 2.2 | Blue | Blue | |
| | | 20-16 | 0.52-1.5 | | RC16M23GE7K | 1.8 | 3.2 | - | Blue | |
| | | 16-14 | 1.5-2.5 | | RC14M30GE7K | 2.28 | - | - | Blue | |

How to make FMLB / LMFB connection

| Contact 1 \ Contact 2 | Standard male contact | Standard female contact | Longer male contact |
|-------------------------|-----------------------|-------------------------|---------------------|
| Standard male contact | | ✓ | |
| Standard female contact | ✓ | | ✓ FMLB |
| Shorter female contact | ✓ LMFB | | |

First Mate Last Break contacts should be chosen only if the cavity is not marked with the ground symbol. For cavities marked with the ground symbol, standard contacts will fulfill the same role as a first mate, last break contact used in a standard cavity.



Ground symbol

#16 Coaxial Contacts

Coaxial Contact Range

SOURIAU provides 2 types of coaxial contacts suitable for 50 or 75Ω, coaxial cable or twisted pair cable.

Monocrimp coaxial contact

- The monocrimp one-piece coaxial contacts offer high reliability plus the economic advantage of a 95% reduction in installation time over conventional assembly methods.
- This economy is achieved by simultaneously crimping both the inner conductor and outer braid or drain wire.



Multipiece crimp coaxial contact

- The inner conductor and outer braid is crimped individually.
- The thermoplastic insulating bushing in the outer body is designed to accept and permanently retain the inner contact.
- An outer ferrule is used to connect the braid to the outer contact and provide cable support to ensure against bending and vibration.



Suitable for coaxial cable or twisted cable

- For jacket diameter from 1.78 to 3.05mm
Inner conductor up to 2.44mm diameter



- For jacket diameter from 0.64 to 1.45mm
Inner conductor from AWG30 to AWG24



Contacts for coaxial cable summary

| Contact type | Contact range | | Contact part number with cable combination | Cabling notice |
|--------------|---------------|----------------|--|---------------------|
| | Male contact | Female contact | | |
| Multipiece | RMDXK10D28 | RCDXK1D28 | See page 200 | See pages 204 & 205 |
| Monocrimp | RMDX60xxD28 | RCDX60xxD28 | | See page 206 |

Contacts for twisted pairs cable summary

| Contact type | Contact range | | Contact part number with cable combination | Cabling notice |
|--------------|----------------------|---------------------|--|----------------|
| | Male contact | Female contact | | |
| Multipiece | RMDXK10D28 + YORK090 | RCDXK1D28 + YORK090 | See page 201 | See page 202 |
| Monocrimp | RMDX60xxD28 | RCDX60xxD28 | | See page 203 |

PCB Contacts

PCB Contacts Supplied Separately - UTS Standard Series

PCB soldering

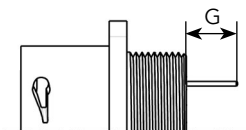
The UTS Series can be used in a wave soldering process, but not reflow soldering process. All high temperature processes are prohibited.



| Contact size | Part number | | Plating see page 164 |
|---------------|--|---|-------------------------|
| | Male | Female | |
| #20 Ø1mm | RMW50A7K RMW5016K | RCW50A7K RCW5016K | K |
| #16 Ø1.6mm | RM20M12E8K RM20M12E83K RM20M12E84K | RC20M12E8K RC20M12E83K RC20M12E84K RC20M12E85K RC20M12E86K RC20M12E87K | K |
| #8 Ø3.6mm | 82911685NPC | 82911684NPC | 2 µm Ni |

Minimal length G (mm)

Dimension of dipsolder contacts out of connector (contacts to be ordered separately).



UTSØ with PCB contacts #16

| Connector size | Pin contact | | | Socket contact | | | |
|----------------|-------------|--------------|--------------|----------------|--------------|--------------|--------------|
| | RM20M12E8K* | RM20M12E83K* | RM20M12E84K* | RC20M12E8K* | RC20M12E83K* | RC20M12E84K* | RC20M12E87K* |
| 10 | 4.2 | 9.4 | 12.9 | 4.2 | 9.4 | 12.9 | 6.5 |
| 12 | 3.6 | 8.8 | 12.3 | 4.2 | 9.4 | 12.9 | 6.5 |
| 14 | 3.3 | 8.5 | 12.0 | 2.6 | 7.8 | 11.3 | 4.9 |
| 18 | 4.2 | 9.3 | 12.9 | 4.2 | 9.4 | 12.9 | 6.5 |

UTS7 with PCB contacts #20 and #16

| Connector size | Pin contact | | | | Socket contact | | |
|----------------|--------------|--------------|-----------|-----------|----------------|-----------|-----------|
| | RM20M12E83K* | RM20M12E84K* | RMW50A7K* | RMW5016K* | RC20M12E84K* | RCW50A7K* | RCW5016K* |
| 10 | 7.3 | 10.8 | 8.4 | 9.3 | 3.6 | 8.4 | 9.3 |
| 12 | 7.3 | 10.8 | 8.4 | 9.3 | 3.9 | 8.4 | 9.3 |
| 14 | 7.3 | 10.8 | 8.4 | 9.3 | 3.6 | - | - |
| 18 | 8.1 | 11.6 | 8.4 | 9.3 | 3.6 | - | - |

* Plating indication see page 164

UTS7 with PCB contacts #16 and #8

| Connector type | Pin contact | | Socket contact | |
|----------------|--------------|--------------|----------------|--------------|
| | RM20M12E83K* | 82911685NPC* | RC20M12E87K* | 82911684NPC* |
| UTS7142G1P | - | 6.4 | - | - |
| UTS7142G1S | - | - | - | 8.2 |
| UTS7142G1SNPT | - | 5.8 | - | 5.4 |
| UTS718X2M3 | 4.9 | 4.5 | 3.6 | 5.2 |
| UTS7183G1SNPT | - | - | - | 4.17 |

* Plating indication see page 164

Note: all dimensions are in mm

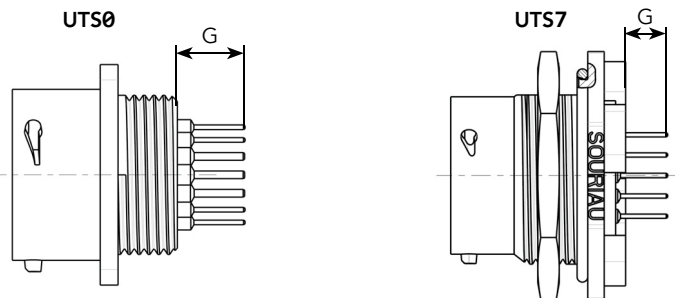
PCB Contacts Loaded - UTS Sealed Unmated Series

PCB soldering

The UTS Series can be used in a wave soldering process, but not reflow soldering process. All high temperature processes are prohibited.

Nominal length G (mm)

Dimension of dipsolder contacts out of connector (contacts to be ordered separately).



UTS0

| Connector size | Connector Part Number | Pin contact | | Socket contact | |
|----------------|---------------------------------------|-------------|--------|----------------|--------|
| | | G mini | G maxi | G mini | G maxi |
| 8 | 8D2 - 8D3 8D4 | 7.2 | 9.2 | 7 | 9 |
| | 8D3A/8D98 8D33 | 8.1 | 10.4 | 8.1 | 10.1 |
| 10 | 10D6 - 10D98 10D7 | 8.1 | 10.2 | 8.1 | 10.3 |
| 12 | 12D2 - 12D3 12D8 - 12D10 | 8.1 | 10.2 | 8.1 | 10.3 |
| | 12D4 | 8.2 | 10 | 8.1 | 10.3 |
| | 12D14 | 7.2 | 9 | 7.1 | 9.2 |
| 14 | 14D5 - 14D12 - 14D15 14D18 - 14D19 | 8.1 | 10.2 | 8.1 | 10.3 |
| | 14D7 | 8.2 | 10 | 8.1 | 10.3 |

UTS7

| Connector size | Connector Part Number | Pin contact | | Socket contact | |
|----------------|---------------------------------------|-------------|--------|----------------|--------|
| | | G mini | G maxi | G mini | G maxi |
| 8 | 8D2 - 8D3 8D4 | 3.8 | 6.1 | 3.7 | 5.9 |
| | 8D3A/8D98 8D33 | 4.7 | 7.3 | 4.7 | 7 |
| 10 | 10D6 - 10D98 10D7 | 4.7 | 7.3 | 4.7 | 7 |
| 12 | 12D2 - 12D3 12D8 - 12D10 | 4.7 | 7.3 | 4.8 | 7 |
| | 12D4 | 4.9 | 7.1 | 4.8 | 7 |
| | 12D14 | 3.9 | 6.2 | 3.8 | 6 |
| 14 | 14D5 - 14D12 - 14D15 14D18 - 14D19 | 4.8 | 7.3 | 4.9 | 7 |
| | 14D7 | 4.9 | 7.1 | 4.9 | 7 |

Note: all dimensions are in mm

Fiber Optic Contacts

Description

Size 16 fiber optic contacts for UTS and other TRIM TRIO® connectors

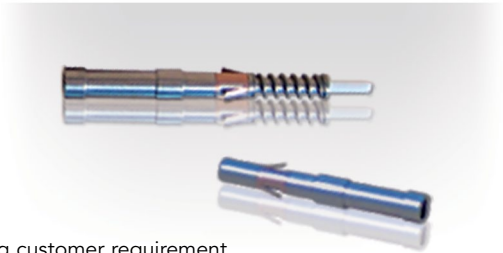
Size 16 fiber optic contacts are designed for the integration of optical links in UTS and other TRIM TRIO® cable connectors.

The Fiber optic contacts are designed to accommodate:

- Plastic Optical Fiber (POF) 1 mm core and 2.2 mm jacket

Typical features and benefits are:

- Socket contact is spring loaded to avoid any air gap between the two optical faces.
- Low insertion loss is provided by high precision pieces.
- Single jumpers, multiway harness and active device housings can be supplied regarding customer requirement.



Technical Characteristics

Performance

- Fiber type: POF
- Wave length: 650 nm
- Optical insertion loss (typ.): 2 dB max.
- Jacketed external diameter: 2.2mm
- Temperature range: -25°C to +70°C
- Cable retention: 49N
- Mating cycles without cleaning: 50
- Max. mating cycles: 500

Construction

- Contact body: Copper alloy

Connector accommodation

Any TRIM TRIO® size 16 contact can be used in any contact position in any connector in the TRIM TRIO® size 16 interconnection system: UTP, UTS, UTG, UTO, UTL.

Ordering Information

POF Contacts (Plastic Optical Fiber)

Male contact RMPOF1000

Female contact RCPOF1000B

POF Contact (Plastic Optical Fiber)

STANDARD TOOLING KIT - P/N 80MS0004

The *standard tooling kit* is made of the part numbers below that can be ordered separately as well.

| Part numbers | Descriptions |
|--------------|--|
| 80WD0005 | Stripping tool |
| 80WD0025 | Automatic stripping tool for Ø 0.5 mm, 0.6 mm, 0.7 mm & 3.8 mm |
| 80WM0006 | Ruler |
| 80WP0005 | Polishing plate |
| 80WP0013 | Non slip base (to hold the polishing plate) |
| 80WP0014 | Polishing disk (grain size 9µm) |
| 80WP0018 | Polishing tool |
| 80WP0019 | Polishing disk (grain size 30µm) |
| 80WS0002 | Crimping plier |

SPECIFIC TOOLING LIST - Can only be ordered separately

| Part numbers | Descriptions |
|--------------|----------------|
| 80WG0010 | Needle |
| 80WG0015 | Capsule |
| 80WG0016 | Syringe |
| 80WN0005 | Dry air spray |
| 80WN0006 | Optical paper |
| 80WN0012 | Dropper bottle |
| 80WN0008 | Wiping solvent |

UTS SERIES

Technical Information

| | |
|--|-----|
| ■ Tooling | 174 |
| ■ Crimping Instructions | 176 |
| ■ Handle & Interchangeable Heads | 178 |
| ■ Extraction Tools | 179 |
| ■ Overmoulded Harnesses Dimensions | 179 |
| ■ Assembly Instructions | 180 |
| ■ Mated Connector Lengths | 184 |
| ■ Mating Procedure | 185 |
| ■ Rated Current & Working Voltage | 186 |
| ■ UV Resistance | 187 |
| ■ UL94 + UL1977 | 188 |
| ■ IEC 61984 & IP Codes Explained | 191 |
| ■ IEC 61140 Explained | 193 |
| ■ What is NEMA Rating ? | 194 |
| ■ Ethernet for the Layman | 195 |

Automatic Crimping Tools



SOURIAU

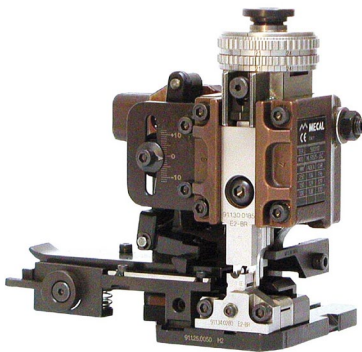
Mecal is a leader in manufacturing tooling for crimping terminals over a stripped wire.

Established in 1976, Mecal has become one of the world's leading companies dedicated to the design and manufacture of semi automatic production tools for strip fed, open barrel crimp terminals, serving the Automotive, Telecom and Datacom industries.

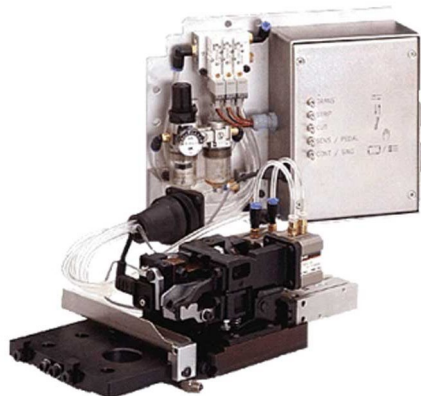
The extreme environment interconnect specialist "from deep sea to deep space".

SOURIAU designs, manufactures and markets high performance interconnect solutions for severe environments dedicated to the aerospace, defense, light and heavy industry markets.

SOURIAU has been working in partnership with Mecal for many years. With sales offices located in all major industrial regions of the world, the combined strengths of both organizations has resulted in a truly global solution to all your production tooling needs.



Mini Applicator



Stripper



Presses

Mecal sales network:

<http://www.mecal.net/index.php/en/europe>

Tooling

Crimp Tool Table

Standard contacts

| Contact size | Part number | Head* | Handles* | Extraction tools |
|------------------|------------------|-----------|----------|------------------|
| #20 Ø 1mm | RM/RC 24W3K | S2ØRCM | SHANDLES | RX2ØD44 |
| | RM/RC 20W3K | | | |
| | RM/RC 18W3K | | | |
| | SM 24WL3S*(1) | S2ØSCM2Ø | | |
| | SC 24WL3S*(1) | | | |
| SM/SC 2ØWL3S*(1) | S16RCM2Ø | RX2Ø25GE1 | | |
| RM/RC 28M1* | | | | |
| RM/RC 24M9* | | | | |
| RM/RC 2ØM13* | | | | |
| RM/RC 2ØM12* | | | | |
| RM/RC 16M23* | | S16RCM16 | | |
| RM/RC 14M3Ø* | | S16RCM14 | | |
| SM/SC 24ML1*(1) | | S16SCM2Ø | | |
| SM/SC 2ØML1*(1) | | S16SCML1 | | |
| SM/SC 16ML1*(1) | | | | |
| SM/SC 14ML1*(1) | | | | |
| | SM/SC 16ML11*(1) | S16SCML11 | | |

(1) loose contact * endurance of SHANDLES & Head tools = 50,000 cycles

| Contact size | Part number | Tool with separate locator | | | Extraction tools |
|----------------|------------------------|----------------------------|------------------------------|-----|------------------|
| | | Hand tool | Positioner + locator setting | | |
| #12 Ø 2.4mm | 82911457N* / 82911456* | M317 | VGE1ØØ77A | 1-2 | 51Ø6Ø21Ø924 |
| | 82911459N* / 82911458* | | | 2 | |
| | 82911461N* / 8291146Ø* | | | 2 | |
| | 82911463N* / 82911462* | | | 3 | |
| | 82911465N* / 82911464* | | | 3 | |
| | 82911467N* / 82911466* | | | 4 | |
| #8 Ø 3.6mm | 829136Ø1A / 829136ØØA | M317 | VGE1ØØ78A | 3 | 51Ø6Ø21Ø936 |
| | 829136Ø3A / 829136Ø2A | | | 3 | |
| | 829136Ø5A / 829136Ø4A | | | 4 | |
| | 829136Ø7A / 829136Ø6A | | | 5 | |
| | 829136Ø9A / 829136Ø8A | | | 6/7 | |

* see page 157 for plating options and other contact details

Specific contacts (First mate Last break contacts)





| Contact size | Part number* | Hand tools (SHANDLES) head | Tool with separate locator | | | Extraction tools | | | |
|---|--------------|-------------------------------|----------------------------|------------------------------|------|------------------|-------|---------|-----|
| | | | Hand tool | Positioner + locator setting | | | | | |
| #16 Ø 1.6mm Longer RM contact | RM28M1GE1K | S16RCM2Ø | - | - | - | RX2Ø25GE1 | | | |
| | RM24M9GE1K | | | | | | | | |
| | RM2ØM13GE1K | | | | | | | | |
| | RM16M23GE1K | S16RCM16 | | | | | MH86Ø | MH86186 | 6/8 |
| | RM2ØM12GE1K | S16RCM14 | | | | | - | - | - |
| RM14M3ØGE1K | | | | | | | | | |
| #16 Ø 1.6mm Shorter RC contact | RC28M1GE7K | S16RCM2Ø | MH86Ø | MH86164G | 4/6 | | | | |
| | RC24M9GE7K | | | | 5/6 | | | | |
| | RC2ØM13GE7K | | | | 5/7 | | | | |
| | RC2ØM12GE7K | S16RCM16 | | | | | 6/8 | | |
| | RC16M23GE7K | S16RCM14 | | | M317 | UH25 | 3 | | |

* see page 166 for plating options and other contact details

Coaxial contacts

See coax contacts details on page 167 and cabling notice pages 202 to 206.

Crimping instructions

| Wire Stripping Crimp Version | | | |
|---|---|---|--------------------|
| | Part number | | Stripping length L |
| | Male | Female | |
| Machined contact | #20 (Ø 1mm) | | |
|  | RM24W3- / RM20W3- RM18W3- | RC24W3- / RC20W3- RC18W3- | 4.8 |
| | #16 (Ø 1.6mm) | | |
| | RM28M1- / RM24M9- RM20M13- / RM20M12- | RC28M1- / RC24M9- RC20M13- / RC20M12- | 4.8 |
| | RM16M23- / RM14M30- | RC16M23- / RC14M30- | 7.1 |
| | #8 (Ø 3.6mm) | | |
| | 82913601- / 82913603- 82913605- / 82913607- 82913609- | 82913600- / 82913602- 82913604- / 82913606- 82913608- | 6.5 to 7.5 |
| Stamped & Formed | #16 (Ø 1.6mm) | | |
| With insulation support | SM24M1- / SM24ML1- SM20M1- / SM20ML1- | SC24M1- / SC24ML1- SC20M1- / SC20ML1- | 4 |
|  | SM16M11- / SM16ML11- | SC16M11- / SC16ML11- | 4.65 |
| | #20 (Ø 1mm) | | |
| | SM24W3- / SM24WL3- SM20W3- / SM20WL3- | SC24W3- / SC24WL3- SC20W3- / SC20WL3- | 4 |
| Without insulation support | #16 (Ø 1.6mm) | | |
|  | SM16M1- / SM16ML1- | SC16M1- / SC16ML1- | 6.35 |
| | SM14M1- / SM14ML1- | SC14M1- / SC14ML1- | 6.35 |
| Power contacts | #12 (Ø 2.4mm) | | |
|  | 82911457- / 82911459- 82911461- / 82911463- 82911465- / 82911467- | 82911456- / 82911458- 82911460- / 82911462- 82911464- / 82911466- | 7 to 8 |
| | #8 (Ø 3.6mm) | | |
| | 82913601- / 82913603- 82913605- / 82913607- 82913609- | 82913600- / 82913602- 82913604- / 82913606- 82913608- | 6.5 to 7.5 |

Note: See page 165 for plating options and other contact details

| Wire Stripping Solder and Screw Versions | | |
|---|-----------------------------|--------------------|
| | | Stripping length L |
| Solder contact delivered with connector | #16 (Ø 1.6mm) & #20 (Ø 1mm) | |
|  | | 5 |
| Screw contact delivered with connector | #16 (Ø 1.6mm) | |
|  | | 5.8 |

Note: all dimensions are in mm

Crimping

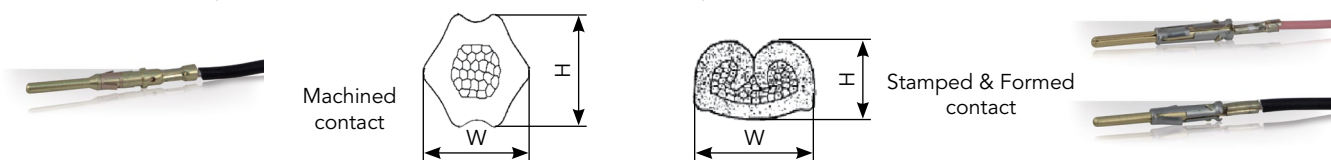
One of the key factors which affects the performance of a connector is the way contacts are terminated. Crimped connections are nowadays seen as the best solution to ensure quality throughout the lifetime of the product. Here are some reasons why we recommend this method of termination for UTS connectors:

Advantages (Extract from the IEC 60352-2):

- Efficient processing of connections at each production level
- Processing by fully-automatic or semi- automatic crimping machines, or with hand operated tools
- No cold-soldered joints
- No degradation of the spring characteristic of female contacts by the soldering temperature

- No health risk from heavy metal and flux steam
- Preservation of conductor flexibility behind the crimped connection
- No burnt, discolored and overheated wire insulation
- Good connections with reproducible electrical and mechanical performances
- Easy production control.

To ensure that the crimp tooling is performing according to original specifications, it is important to carry out regular checks. A common way to check the performance of tooling is with a simple pull test, ideally using a dedicated electric pull tester. Minimum recommended pull forces are indicated in the tables below:



| Active contact part | Contact type | Die location on heads | Wire section range | Section (mm ²) | Tensile straight test (mini) | Height (mm) H (±0.075) | Width (mm) W (±0.075) | Tooling head p/n | | |
|-----------------------------------|-------------------------------------|-----------------------|--------------------|----------------------------|------------------------------|------------------------|-----------------------|------------------|------|----------|
| Machined contacts size #20 Ø 1 mm | RM24W3K RC24W3K | 26/24 | AWG 26 | 0.12 min | 15 N | 0.95 | 1.27 | S20RCM | | |
| | | | AWG 24 | 0.25 max | 32 N | | | | | |
| | RM20W3K RC20W3K | 22/20 | AWG 22 | 0.32 min | 40 N | 1.26 | 1.78 | | | |
| | | | AWG 20 | 0.50 max | 60 N | | | | | |
| | RM18W3K RC18W3K | 20/18 | AWG 20 | 0.50 max | 60 N | 1.35 | 1.86 | | | |
| | | | AWG 18 | 0.82 max | 90 N | | | | | |
| S & F contacts size #20 Ø 1 mm | SM24WL3TK6* SC24WL3TK6* | 26/24 | AWG 26 | 0.12 min | 15 N | 0.80 | 1.49 | S20SCM20 | | |
| | | | AWG 24 | 0.25 max | 32 N | | | | | |
| | SM20WL3TK6* SC20WL3TK6* | 22/20 | AWG 22 | 0.32 min | 40 N | 1.01 | 1.53 | | | |
| | | | AWG 20 | 0.50 max | 60 N | | | | | |
| | Machined contacts size #16 Ø 1.6 mm | RM28M1K* RC28M1K* | 30/28 | AWG 30 | 0.05 min | 11 N | 1.14 | | 1.41 | S16RCM20 |
| | | | | AWG 28 | 0.08 max | 11 N | | | | |
| RM24M9K* RC24M9K* | | 26/24 | AWG 26 | 0.12 min | 15 N | 1.15 | 1.41 | | | |
| | | | AWG 24 | 0.25 max | 32 N | | | | | |
| RM20M13K* RC20M13K* | | 22/20 | AWG 22 | 0.32 min | 40 N | 1.26 | 1.76 | | | |
| | | | AWG 20 | 0.50 max | 60 N | | | | | |
| | AWG 20 | | 0.32 min | 40 N | | | | | | |
| RM20M12K* RC20M12K* | 22/20 | AWG 20 | 0.50 max | 60 N | 1.66 | 2.18 | | | | |
| | | 20 | AWG 20 | 0.50 max | | | 60 N | | | |
| | | 18 | AWG 18 | 0.82 max | | | 90 N | | | |
| RM16M23K* RC16M23K* | 16 | AWG 16 | 1.50 max | 150 N | 1.96 | 2.43 | S16RCM16 | | | |
| | | 16 | AWG 16 | 1.50 max | 150 N | 2.10 | | 2.68 | | |
| RM14M30K* RC14M30K* | 14 | AWG 14 | 2.50 min | 230 N | 2.30 | 2.78 | S16RCM14 | | | |
| | | 14 | AWG 14 | 2.50 min | 230 N | 2.30 | | 2.78 | | |
| S & F contacts size #16 Ø 1.6 mm | SM24ML1TK6* SC24ML1TK6* | 26/24 | AWG 26 | 0.12 min | 15 N | 0.84 | 1.50 | S16SCM20 | | |
| | | | AWG 24 | 0.25 max | 32 N | | | | | |
| | SM20ML1TK6* SC20ML1TK6* | 22/20 | AWG 22 | 0.32 min | 40 N | 1.02 | 1.54 | | | |
| | | | AWG 20 | 0.50 max | 60 N | | | | | |
| | SM16ML11TK6* SC16ML11TK6* | 18 | AWG 18 | 0.82 min | 90 N | 1.32 | 2.09 | S16SCML11 | | |
| | | | 16 | AWG 16 | 1.50 max | 150 N | 1.36 | | 2.10 | |
| | SM16ML1TK6* SC16ML1TK6* | 18 | AWG 18 | 0.82 min | 90 N | 1.49 | 2.02 | S16SCML1 | | |
| | | | 16 | AWG 16 | 1.50 max | 150 N | 1.7 | | 2.05 | |
| | SM14ML1TK6* SC14ML1TK6* | 14 | AWG 14 | 2.50 max | 230 N | 1.79 | 2.58 | | | |

*: example of plating options, for other plating see page 164

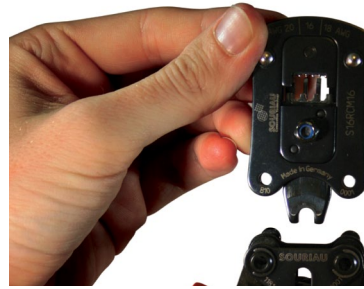
Handle & Interchangeable Heads

User Guide

- 1) Fully close then release the tool, keep it open.
Open the 2 pins.



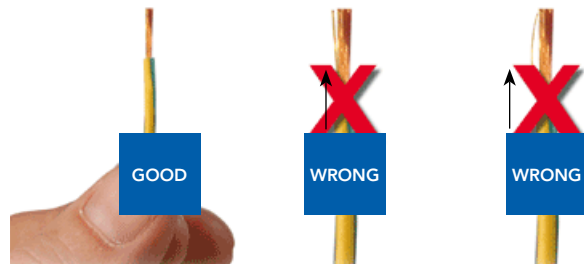
- 2) Choose the adapter head (sold separately), keep vertical and slide it into the handle until the mechanical end.



- 3) Close the two pins simultaneously to maintain the head.



- 4) Strip the cable properly check the recommended size in the catalog on page 176.



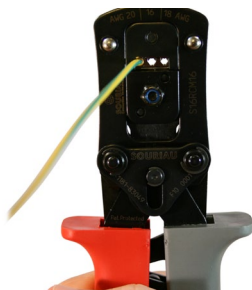
- 5) Place conductors, with no deteriorations, in the bucket contact.
All strands to be located in the crimp bucket.



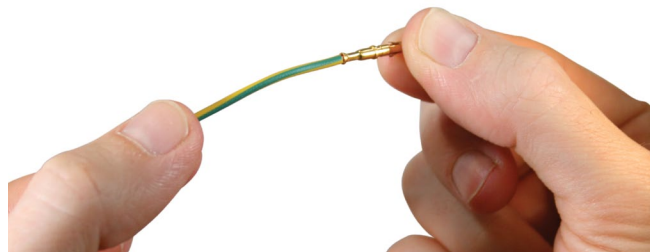
- 6) Position the contact in the bottom of the tool by checking its orientation.



- 7) To crimp contact assembly-cable, tighten sharply the clip to the end of the mechanism (maxi 175N).



- 8) To control crimp quality, slightly pull cable with two fingers to control retention.



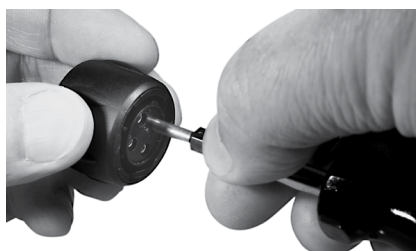
Extraction Tools

| Contact size | Extractor |
|-----------------|-------------|
| #20 Ø 1 mm | RX20D44 |
| #16 Ø 1.6 mm | RX2025GE1 |
| #12 Ø 2.4mm | 51060210924 |
| #8 Ø 3.6mm | 51060210936 |

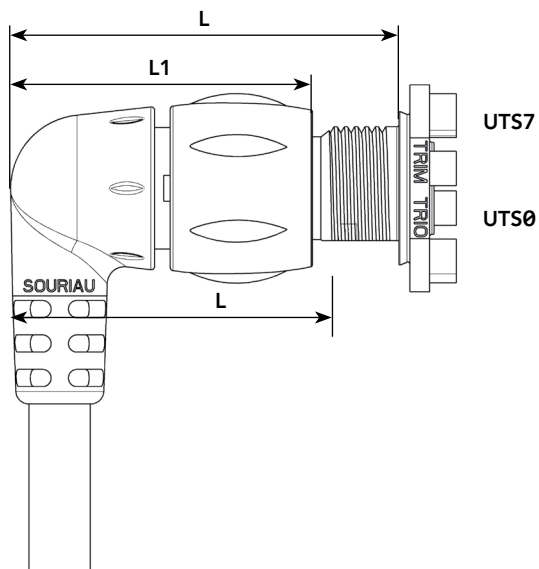


Contact extraction instruction

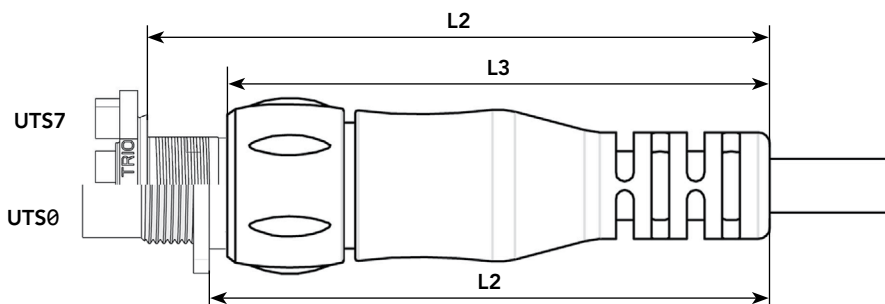
Place the tool into the cavity from front face of the connector, push on the handle, then remove the contact.



Overmoulded Cable Assembly Dimensions



| Shell size | UTS0 | | | | UTS7 | | | |
|------------|-------|--------|--------|--------|-------|--------|--------|--------|
| | L max | L1 max | L2 max | L3 max | L max | L1 max | L2 max | L3 max |
| 8 | 42.8 | 36.8 | 80.7 | 57.2 | 46.8 | 36.8 | 85.8 | 57.2 |
| 10 | 55.8 | 50.3 | 98.6 | 92 | 60.5 | 50.3 | 102.7 | 92 |
| 12 | 57.1 | 51.4 | 99.3 | 93.7 | 61.4 | 51.4 | 106.4 | 93.7 |
| 14 | 62.5 | 56.3 | 100.3 | 94.6 | 67.6 | 56.3 | 104.8 | 94.6 |



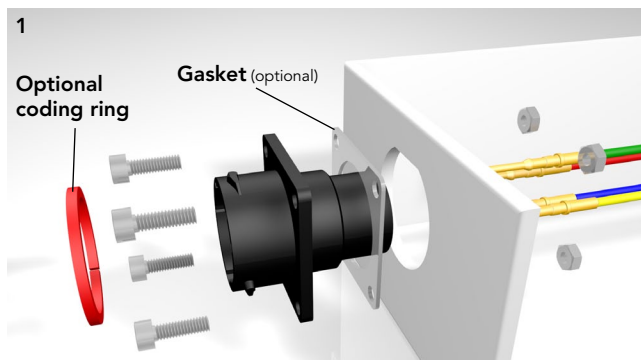
Note: all dimensions are in mm

Assembly Instructions

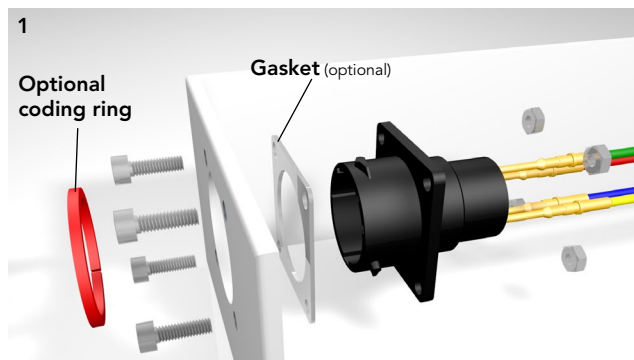
UTS0 Assembly (Mounting Suggestion)

- Strip wires, crimp or solder contacts (see pages 176 & 177)
- Insert contacts into connector cavities (insert manually or use tool RTM205 crimp contacts)
- Place receptacle in the panel cut-out
- Secure receptacle with screws (not supplied)
Tighten screws: M2.5 (recommended torque: see table below)
- For complete sealing of the system use optional gasket and sealed screw solution (not sold by SOURIAU).

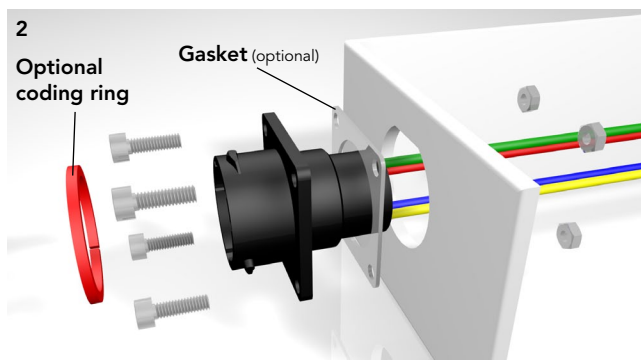
Front mounting: Crimp version



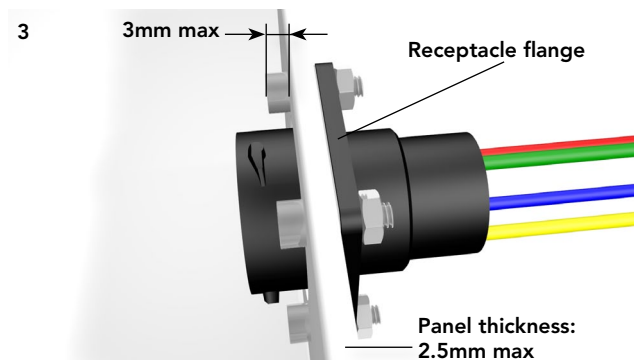
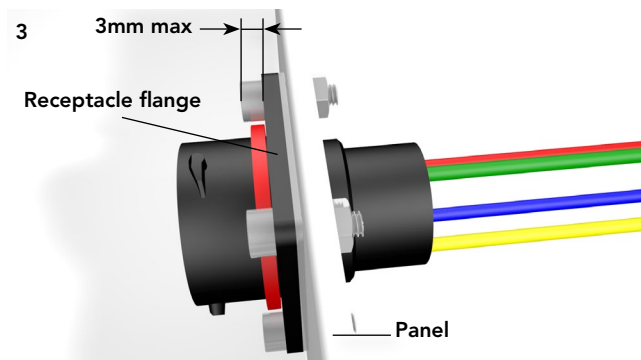
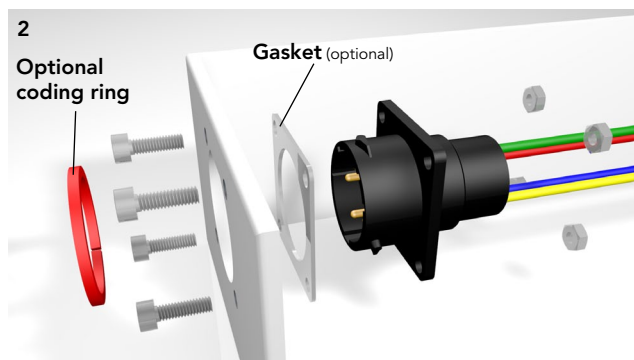
Rear mounting: Crimp version



Front mounting: Solder version



Rear mounting: Solder version



| | Shell size | | | | |
|------------------------------|------------|-----------|-----------|-----------|-----------|
| | 10 | 12 | 14 | 16 | 18 |
| Screw tightening torque (Nm) | 0.30/0.40 | 0.30/0.40 | 0.30/0.40 | 0.30/0.40 | 0.35/0.45 |

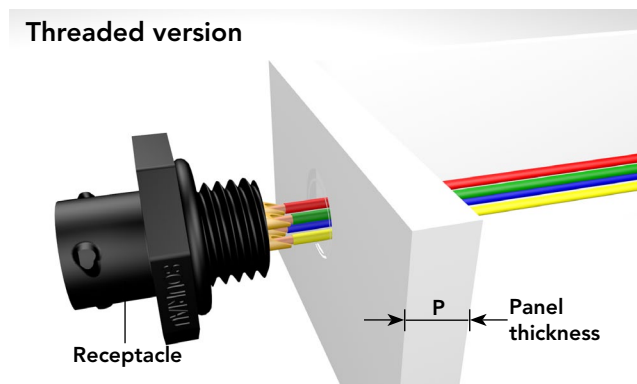
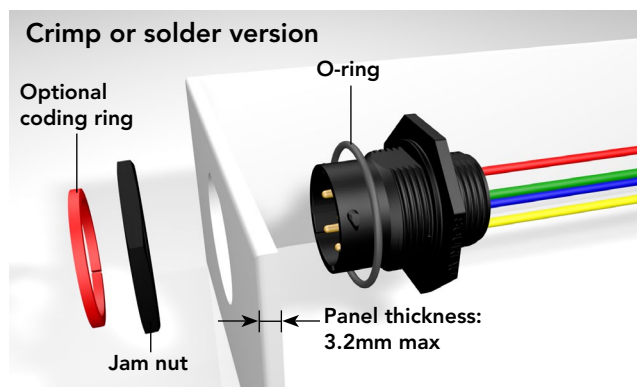
UTS7 Assembly (Mounting Suggestion)

- Strip wires and crimp contacts (see pages 176 & 177)
- Insert contacts into connector cavities (insert manually or use tool RTM205 crimp contacts)
- Seat o-ring, place receptacle in the panel cut-out
- Tighten jam nut

| Shell size | Jam nut torque (Nm) maxi | Exterior jam nut dim. (mm) | Ø Wire | |
|------------|--------------------------|----------------------------|------------------|-----------------------|
| | | | Standard version | Discrete wire sealing |
| 8 | 1.5 | 19.0 | 3.2 mm max. | from 1.7 mm to 3.0 mm |
| 10 | 3 | 22.2 | | |
| 12 | 4 | 27.0 | | |
| 14 | 5 | 30.1 | | |
| 18 | 5 | 36.5 | | |

Threaded receptacle

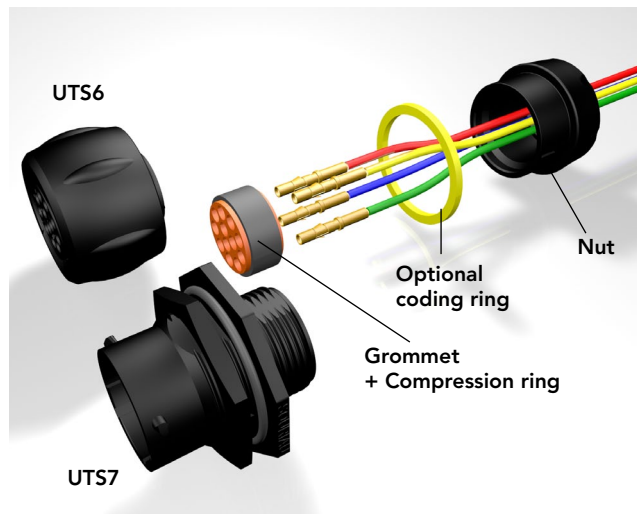
| Shell size | Jam nut torque (Nm) maxi | Threading | P mini (mm) |
|------------|--------------------------|-----------|-------------|
| 8 | 2.5 | M12 x 1.5 | 7.7 |
| 10 | 3.75 | M16 x 1.5 | |
| 12 | 3.75 | M20 x 1.5 | 10.4 |
| 14 | 4.18 | 1/2" | 8.3 |
| 18 | 4.76 | 3/4" | 11.6 |



UTS6 or UTS7 with GN Backshell Assembly

- Strip wires and crimp contacts (see pages 176 & 177)
- Insert first contact into the grommet (first contact in cavity A, no tool is required). Then insert the contact in the connector cavity A (insert manually or use tool RTM205)
- Insert the other contacts
- Tighten the nut to rear of either UTS6 or UTS7 (recommended torque values to be applied according to the table below).

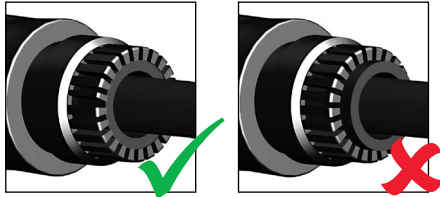
| Shell size | layout | Nut tightening torque (Nm) | Ø Wire |
|------------|--------|----------------------------|-----------------------|
| 10 | 4 | 1 | From 1.7 mm to 3.0 mm |
| 12 | 8 | 1.5 | |
| 14 | 7 | 1.5 | |
| 14 | 12 | 1.5 | |



Assembly Instructions (Continued)

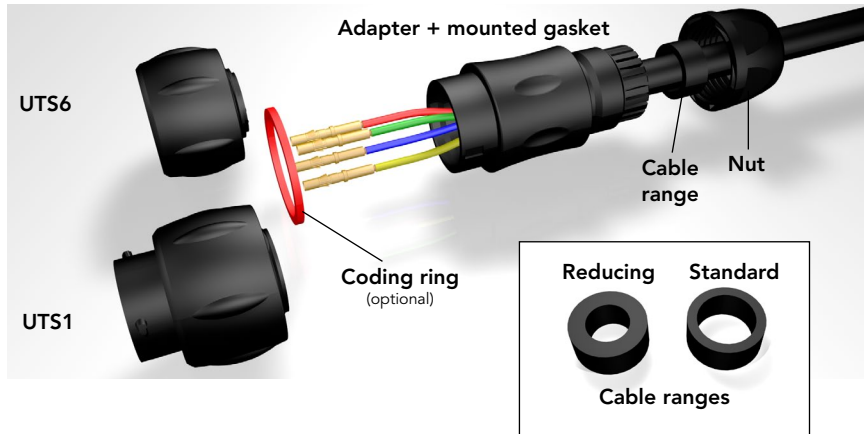
UTS1JC or UTS6JC Assembly: Crimp Version

- Slide accessories onto the cable



Make sure the seal is positioned as shown.

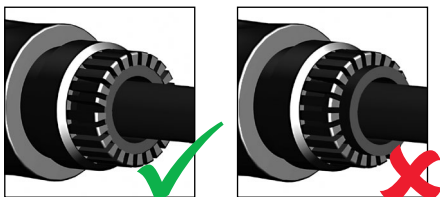
- Mate the plug with a corresponding counter part
- Strip external cable jacket
- Strip wires and crimp contacts (see pages 176 & 177)
- Insert contacts into connector cavities (insert manually or use tool RTM205)
- Tighten adapter with plug UTS6 or receptacle UTS1, choose right seal (waste the other seal)
- Tighten the nut to rear of either UTS1 or UTS6 (recommended torque values to be applied according table to the right)
- Caution: only one of both delivered gasket should be used !



| Shell size | Recommended jacket strip length (mm) | | Adapter tightening torque (Nm) | Nut tightening torque (Nm) | Ø Cable range Standard seal | Ø Cable range Reducing seal | Ø Wire |
|------------|--------------------------------------|--------|--------------------------------|----------------------------|-----------------------------|-----------------------------|-----------------------|
| | Male | Female | | | | | |
| 10 | 21 | 29 | 1.5 | 1 | 2.5/8.0 | 1.5/5.0 | From 1.7 mm to 3.0 mm |
| 12 | 25 | 33 | 2 | 2.5 | 5.0/12.0 | 3.0/9.0 | |
| 14 | 29 | 36 | 3 | 2.5 | 7.0/14.0 | 5.0/12.0 | |
| 18 | 37 | 45 | 4 | 3.5 | 9.0/18.0 | 7.0/16.0 | |

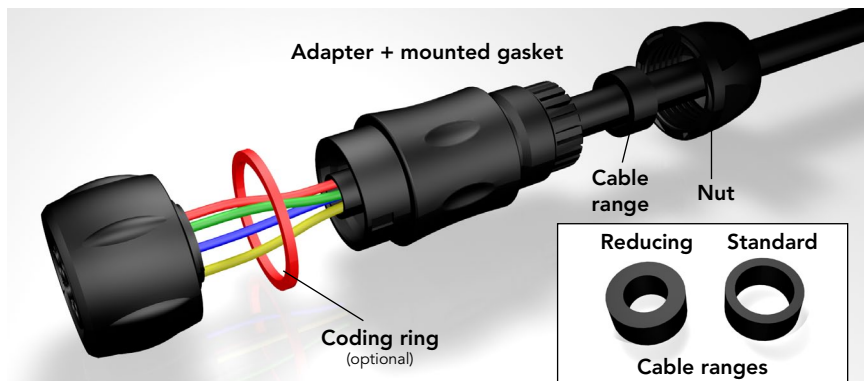
UTS6JC Assembly: Solder Version

- Slide accessories onto the cable



Make sure the seal is positioned as shown.

- Mate the plug with a corresponding receptacle
- Strip external cable jacket
- Strip wires and crimp contacts (see pages 176 & 177)
- Insert contacts into connector cavities (insert manually or use tool RTM205)
- Tighten adapter with plug, choose right seal (waste the other seal)
- Tighten the nut to rear of either UTS6 (recommended torque values to be applied according table to the right)
- Caution: only one of both delivered gasket should be used !



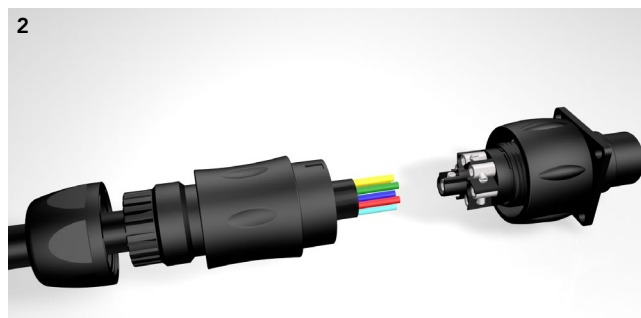
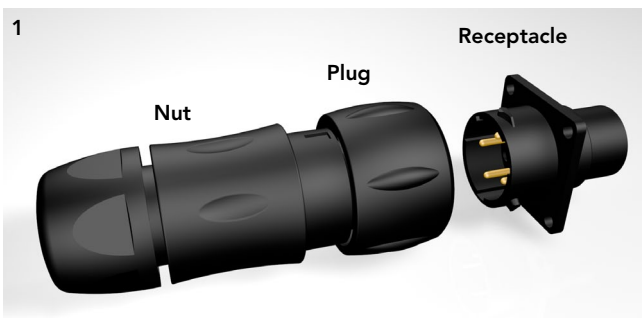
| Shell size | Recommended jacket strip length (mm) | | Adapter tightening torque (Nm) | Nut tightening torque (Nm) | Ø Cable range Standard seal | Ø Cable range Reducing seal | Ø Wire |
|------------|--------------------------------------|--------|--------------------------------|----------------------------|-----------------------------|-----------------------------|-----------------------|
| | Male | Female | | | | | |
| 8 | 17 | | 1 | 0.75 | 2.5/6.5 | 1.5/5.0 | From 1.7 mm to 3.0 mm |
| 10 | 21 | | 1.5 | 1 | 2.5/8.0 | 1.5/5.0 | |
| 12 | 25 | | 2 | 2.5 | 5.0/12.0 | 3.0/9.0 | |
| 14 | 29 | | 3 | 2.5 | 7.0/14.0 | 5.0/12.0 | |

Note: all dimensions are in mm

UTS6JC Screw Termination Assembly

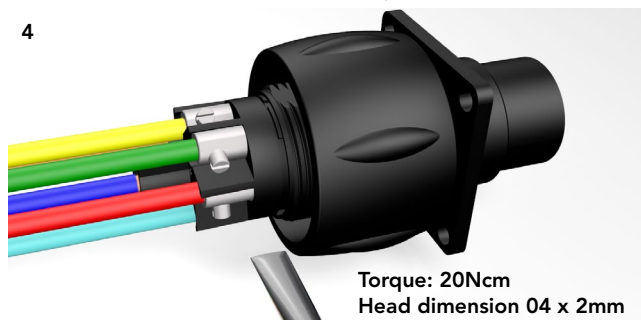
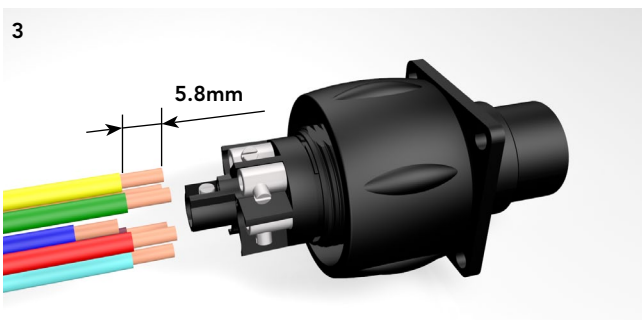
- Mate the plug with a corresponding receptacle equipped with its contacts
- Choose and place right seal depending on cable diameter (see table below)

- Slide accessories on the cable
- Strip external jacket (see table below).



- Strip the wires (strip length 5.8 mm)

- Place the conductors in the contact barrel. Make sure all conductor strands are inside the barrel
- Tight the contact screws, advised torque 20 Ncm



- Check the mechanical cable retention, by gently pull the cable with 2 fingers
- Tighten adaptater with the plug (recommended torque: see table)

- Tighten backshell nut with adapter (recommended torque: see table below) (cables should not turn into the backshell during this operation).



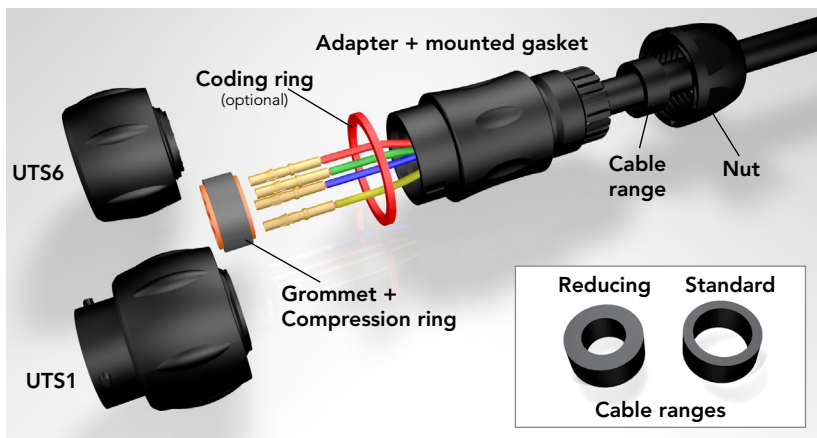
| Shell size | Recommended jacket strip length (mm) | | Adapter tightening torque (Nm) | Nut tightening torque (Nm) | Ø Cable range Standard seal | Ø Cable range Reducing seal | Ø Wire |
|------------|--------------------------------------|----------|--------------------------------|----------------------------|-----------------------------|-----------------------------|-----------------------|
| | Male | Female | | | | | |
| 12 | 22.8 max | 15.1 max | 2 | 2.5 | 5.0/12.0 | 3.0/9.0 | From 1.7 mm to 3.0 mm |
| 14 | 26.7 max | 18.9 max | 3 | 2.5 | 7.0/14.0 | 5.0/12.0 | |

Note: all dimensions are in mm

Assembly Instructions (Continued)

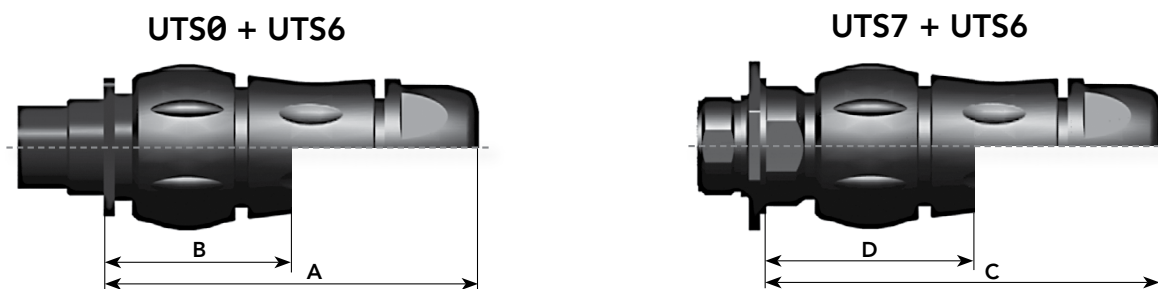
UTS1GJC or UTS6GJC Assembly

- Slide accessories onto the cable (make sure to keep compression ring on the grommet)
- Strip external cable jacket
- Strip wires and crimp contacts (see pages 176 & 177)
- Insert first contact into the grommet (first contact in cavity A, no tool is required). Then insert the contact in the connector cavity A (insert manually or use tool RTM205)
- Place the grommet and compression ring on the insulator
- Insert the other contacts
- Tighten adapter with plug UTS6 or receptacle UTS1, choose right seal(waste the other seal)
- Tighten the nut to rear of either UTS1 or UTS6 (recommended torque values to be applied according to the table right).



| Shell size | Recommended jacket strip length (mm) | | Adapter tightening torque (Nm) | Nut tightening torque (Nm) | Ø Cable range Standard seal | Ø Cable range Reducing seal | Ø Wire |
|------------|--------------------------------------|--------|--------------------------------|----------------------------|-----------------------------|-----------------------------|-----------------------|
| | Male | Female | | | | | |
| 10 | 21 | 29 | 1.5 | 2 | 2.5/8.0 | 1.5/5.0 | from 1.7 mm to 3.0 mm |
| 12 | 25 | 33 | 2 | 2.5 | 5.0/12.0 | 3.0/9.0 | |
| 14 | 29 | 36 | 3 | 2.5 | 7.0/14.0 | 5.0/12.0 | |

Mated Connector Lengths



| Shell size | UTS0 + UTS6 JC & GJC | UTS0 + UTS6 GN | UTS7 + UTS6 JC & GJC | UTS7 + UTS6 GN |
|------------|----------------------|----------------|----------------------|----------------|
| | A max | B max | C max | D max |
| 8 | 61.1 | - | 66.6 | - |
| 10 | 73.2 | 39.6 | 77.3 | 43.7 |
| 12 | 77.6 | 39.4 | 81.7 | 43.5 |
| 14 | 83.5 | 40 | 87.6 | 44.1 |
| 18 | 93.1 | - | 97.2 | - |

Note: all dimensions are in mm

Mating Procedure

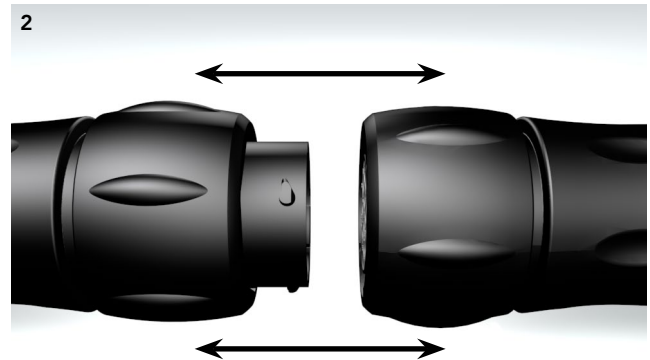
UTS Coupling Procedure

The pictures below provide step by step instructions on how to mate a plug and receptacle connector in order to avoid damaging any of the contacts.

- Identify the primary key of each connector.



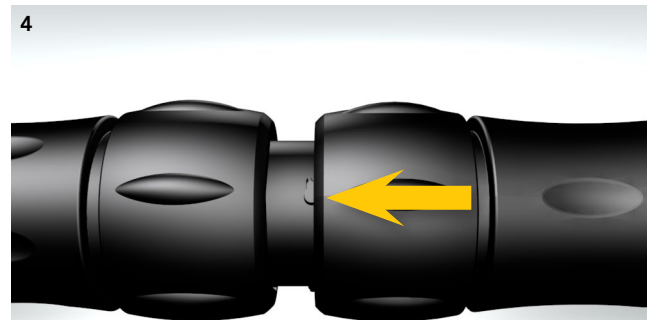
- Align the primary keys of the connectors.



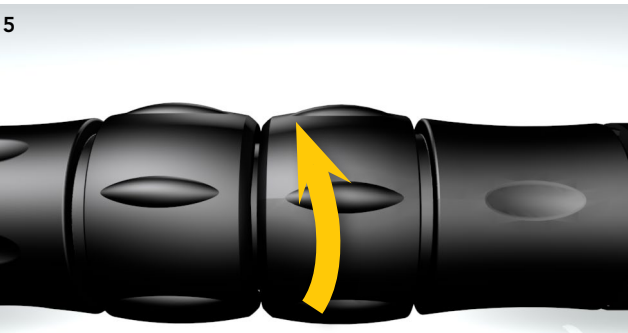
Non correct positioning:



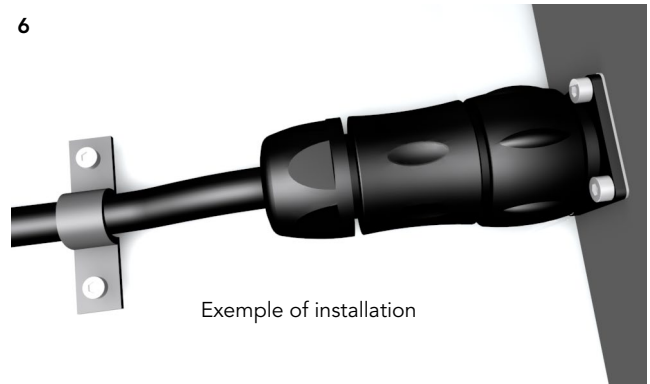
- Offer the plug to the receptacle.



- Turn coupling ring until you hear a 'click'



Fastening of cable: In order to avoid any mechanical stress on the connection, cable could be clamp closed to the connector in such a way there is no bending or traction applying on the connector.

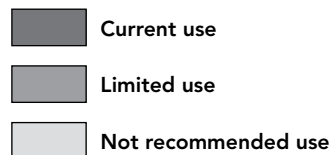
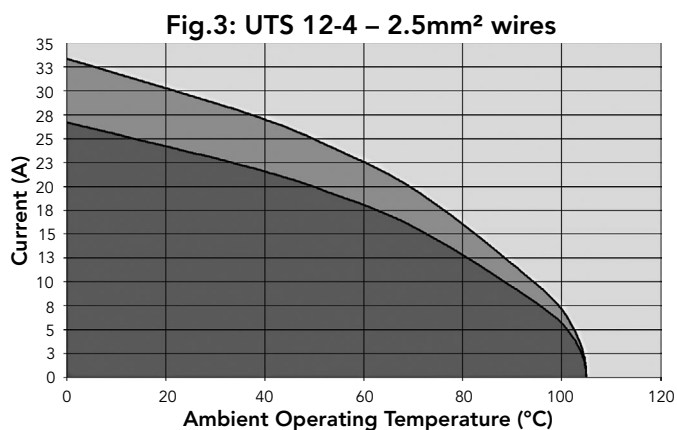
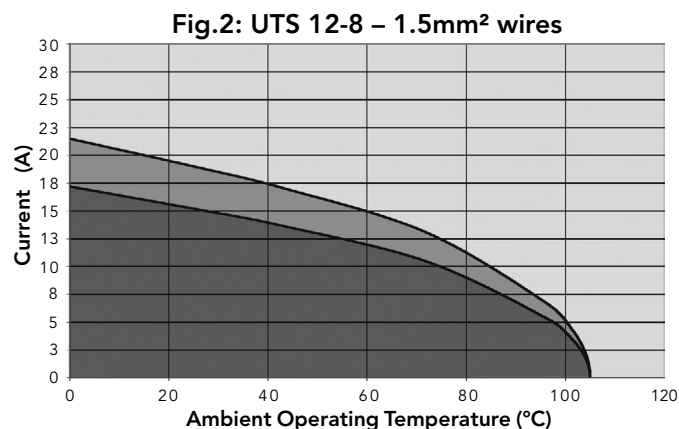
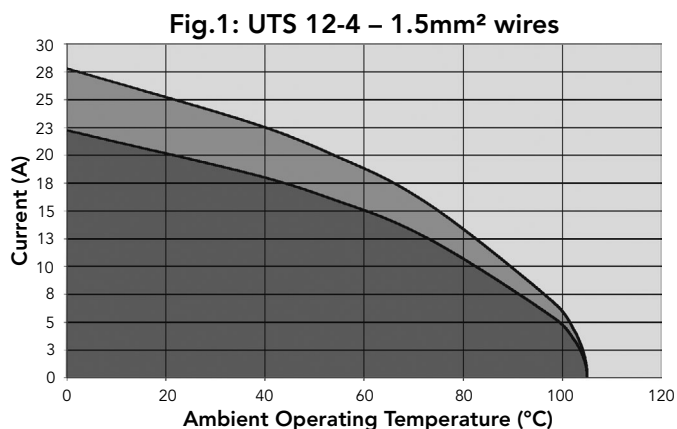


Rated Current & Working Voltage

Current Carrying Capacity

The current carrying capacity of a connector is limited by the thermal properties of materials used in its construction. The amount of current that can be handled depends on the size of cable used, the ambient temperature and the heat that is generated inside the connector. Part 3 of the IEC 60512 standard determines through a derating curve, the maximum current permissible, which varies from one layout to another (Fig.1 & Fig.2). Wire size plays an important role in dissipating heat and avoid overheating (Fig.1 & Fig.3).

Please note that the curve should be adjusted when dealing with potential hot spots, which can occur as a result of unequal loading of current across a number of contacts. As a general rule, it is best to avoid placing power handling contacts in the middle of the connector; try to locate them towards the edge where heat can be dissipated more effectively. Eventually you should find a level which represents the permissible operating range:



The **rated current** is defined as uninterrupted continuous current that a connector can take when all contacts are energized simultaneously without exceeding the maximum limit of temperature. The earth contact is never loaded.

UV Resistance

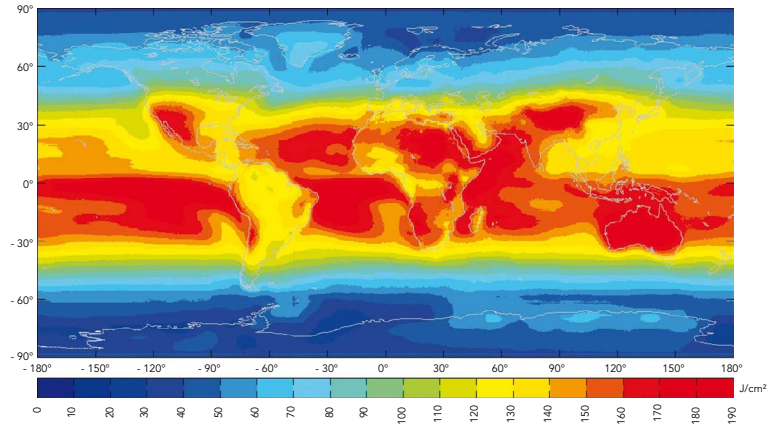
Exposure in Natural Environment

Solar radiation affects all materials, but plastics can be susceptible to extreme degradation over time. The choice of materials for the UTS series was therefore a critical consideration.

All over the world we are not exposed to the same amount of energy given by the sun. The chart shown here clearly illustrates this.

So we performed test according to the ISO 4892-2 and simulated 5 years exposure to outdoor environments (temperature, humidity, etc...) After this period there was no significant colour variation, no crazing, no cracking and no major variation of mechanical properties.

Yearly mean of daily irradiation in UV (280-400 nm) on horizontal plane (J/cm²) (1990-2004)



UL94 + UL1977



There are two main standards for industrial connectors: UL94 & UL1977

UL94

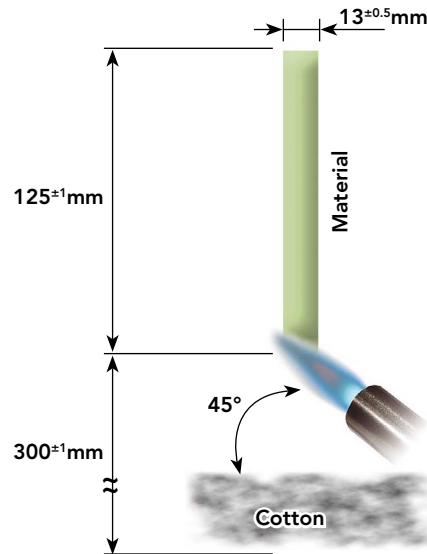
This standard is dedicated to plastics flammability. It characterises how the material burns in various orientation and thicknesses.

The UTS series has been rated at **V-0** & **HB**.

Procedure: A specimen is supported in a vertical or horizontal position and a flame is applied to the bottom of the specimen. The flame is applied for ten seconds and then removed until flaming stops, at which time the flame is reapplied for another ten seconds and then removed. Two sets of five specimens are tested.

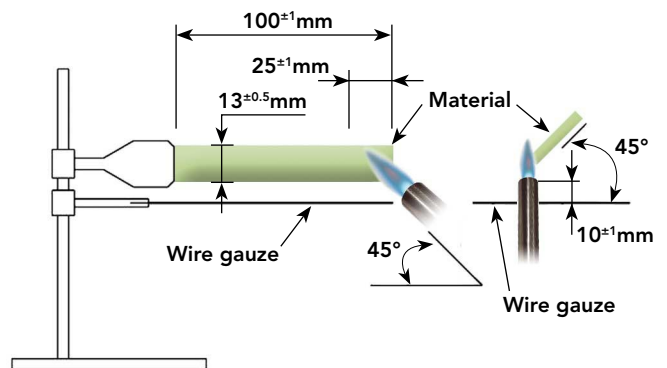
V-0 Vertical burning:

- Specimens must not burn with flaming combustion for more than 10 seconds after each test flame application
- Total flaming combustion time must not exceed 50 seconds for each set of 5 specimens
- Specimens must not burn with flaming or glowing combustion up to the specimen holding clamp
- Specimens must not drip flaming particles that ignite the cotton
- No specimen can have glowing combustion remain for longer than 30 seconds after removal of the test flame.



HB Horizontal burning:

- A material classified HB shall not have a burning rate exceeding 40 mm per minute over a 75 mm span for specimens having a thickness of 3.0 to 13 mm
- A material classified HB shall not have a burning rate exceeding 75 mm per minute over a 75 mm span for specimens having a thickness less than 3.0 mm
- A material classified HB shall cease to burn before the 100 mm reference mark.



UL1977

There are several standards which deal with plug and receptacle. Each of them is only for a small area of applications. It could be telecommunication, etc. The UL 1977 covers single and multipole connectors intended for factory assembly.

Requirements apply to devices taking into account intensity and voltage. The categories are as follows:

| | | | |
|--------|---------|---------------------|---------|
| | 0 | 30 V (42 V peak) | 600 V |
| 0 | Type 0 | | Type 1A |
| 31 A | Type 1B | | Type 2 |
| | | | Type 3 |
| 1000 A | Type 4 | | |

According to above table, the level of performance that has to be reached could be different. Most of them are explained in the following page.

Insulating materials:

Material uses for electrical insulation, as a minimum, have to comply with the characteristics shown below:

• **Minimum ratings for polymeric materials**

| Type | Flame rating | Relative thermal index (RTI) Electrical/mechanical w/o impact */** |
|------|--------------|---|
| 0 | - | 50/50 |
| 1A | HB | 50/50 |
| 1B | HB | 50/50 |
| 2 | HB | 50/50 |
| 3 | HB | 50/50 |
| 4 | HB | 50/50 |

* The RTI of the material shall not be lower than the temperature measured during the Temperature Test.

** For a thickness less than that for which a value has been established, the RTI of the minimum thickness with an established value shall be used.

Assembly:

Connector has to be keyed to prevent any mismatching that can damage the machine or hurt the user. In the same way, plugs and sockets have to be equipped to protect persons against contact with live parts.

Finally the identified grounding contact shall be located so that the corresponding electrical continuity has to be completed before any other contact.

UL94 + UL1977 (Continued)



UL1977

Spacing:

For a 250V max connector, distance through air or over material shall be 1.2mm whereas from 250V to 600V connector the spacing is 3.2mm minimum. These distances have to be taken between uninsulated live parts as shown in the matrix below:

• **Applicability of spacing requirements**

| Type | Uninsulated live part - uninsulated live part of opposite polarity | Uninsulated live part - uninsulated grounded metal part | Uninsulated live part - exposed dead metal part |
|------|--|---|---|
| 0 | No | No | No |
| 1A | Yes | Yes | Yes |
| 1B | Yes | Yes | No |
| 2 | Yes | Yes | Yes |
| 3 | Yes | Yes | Yes |
| 4 | Yes | Yes | Yes |

An alternative way to determine voltage rating is with the Dielectric-Withstand test. If during one minute there is no arc-over or breakdown the rated voltage is given as shown below:

- a) 500 volts for a type 1B device
- b) 1000 volts plus twice rated voltage for types 1A, 2, 3 and 4 devices.

Marking:

A device shall be legibly marked with the manufacturer's trade name, trade mark, or other descriptive marking by which the organisation responsible for the product may be identified. (Exception: If the device is too small, or where the legibility would be difficult to attain, the manufacturer's name, trademark, or other descriptive marking may appear on the smallest unit container or carton)

The following shall be marked on the device or on the smallest unit container or carton or on a stuffer sheet in the smallest unit container or carton:

- a) The catalog number or an equivalent designation
- b) The electrical rating in both volts and amperes, if assigned
- c) Whether ac or dc, if restricted
- d) Flammability class, if identified

Example - Marking for the arrangement 10-3: 10A 500V UL94 V-0

IEC 61984 & IP Codes Explained

IEC 61984

The norm is dedicated to connectors with rated voltage above 50V and up to 1000V and rated currents up to 125A per contact. Depending on your application connectors should be compliant with another standard. This has to be double checked with the customer.

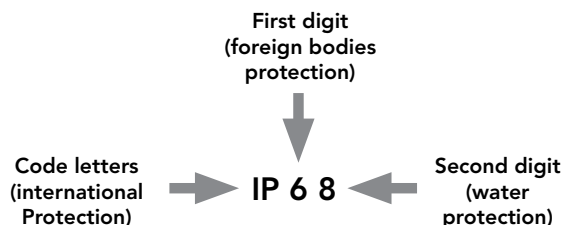
There are a lot of constructional requirements and performances specified in that standard. Most of them are illustrated in greater details hereafter.

Provisions for earthing:

The UTS connector is intended to be used on Class I or Class III (see IEC 61140) systems. Even if the purpose of our connector is not to interrupt current, there is a need to add a protective earth contact. This one shall be a "First mate, last break" style. Critically, among all of the normal assumptions we make in designing a connector, this contact has to be considered as a live part and must be protected attached to the ground wire.

IP Code:

IP is a coding system defined by the IEC 60529 to indicate the degrees of protection provided by an enclosure. The aim of this is to give information regarding the accessibility of live parts against ingress of water and other foreign bodies.



| 1 st digit | Degree of protection | 2 nd digit | Degree of protection |
|-----------------------|---|-----------------------|--|
| 0 | No protection against accidental contact. No protection against solid foreign bodies. | 0 | No protection against water. |
| 1 | Protection against contact with any large area by hand and against large solid foreign bodies with a diameter bigger than 50 mm. | 1 | Drip-proof. Protection against vertical water drips. |
| 2 | Protection against contact with the fingers. Protection against solid foreign bodies with a diameter bigger than 12 mm. | 2 | Drip-proof. Protection against water drips up to a 15° angle. |
| 3 | Protection against tools, wires or similar objects with a diameter bigger than 2.5 mm. Protection against small solid bodies with a diameter bigger than 2.5 mm. | 3 | Spray-proof. Protection against diagonal water drips up to a 60° angle. |
| 4 | Same as 3 however diameter is bigger than 1 mm. | 4 | Splash-proof. Protection against splashed water from all directions. |
| 5 | Full protection against contact. Protection against interior injurious dust deposits. | 5 | Hose-proof. Protection against water (out of a nozzle) from all directions. |
| 6 | Total protection against contact. Protection against penetration of dust. | 6 | Protection against temporary flooding. |
| | | 7 | Protection against temporary immersions. |
| | | 8 | Protection against water pressure. Pressure to be specified by supplier. |

UTS offers high sealing performance IP68 / 69K... Even in dynamic situations.

In addition to the IEC 60529 we conjointly use the DIN 40050 part 9 which are dedicated to road vehicles. The main differences are:

- **First digit:** 5 replaced by 5K, 6 by 6K. In the DIN the tested equipment is not depressurized as it is in the IEC.
- **Second digit:** 5K and 6K has been added and are equivalent respectively to 5 and 6 but with higher pressure. 9K which represents the High pressure cleaning.

| | |
|----|--|
| 9K | High pressure hose-proof. Protection against high pressure water (out of a nozzle) from all directions. |
|----|--|

IEC 61984 ed.2.0 "Copyright © 2008 IEC Geneva, Switzerland.www.iec.ch"
IEC 60664-1 ed.2.0 "Copyright © 2007 IEC Geneva, Switzerland.www.iec.ch"

IEC 61984 & IP Codes Explained (Continued)

IEC 61984

Overvoltage

UTS connectors are qualified to be used on systems rated at Overvoltage category III

Per the IEC 60664-1 (formerly VDE 0110) each category is linked to the end application and where the device will be implemented:

- **Category IV** (primary overcurrent protection equipment):
Origin of the installation
- **Category III** (any fixed installation with a permanent connection)
Fixed installation and equipment and for cases where the reliability and the availability is subject to special requirements
- **Category II** (domestic appliances):
Energy consuming equipment to be supplied from the fixed installation
- **Category I** (protected electronic circuit):
For connection to circuit in which measures are taken to limit transient overvoltage.

Pollution degree

Per the IEC 60664-1 (formerly VDE 0110) the environment affects the performance of the insulation. Particles can build a bridge between two metal parts. As a rule dust mixed with water can be conductive and more generally speaking metal dust is conductive. Finally, the standard defines 4 levels of pollution:

- **Degree 1** (Air conditioned dry room):
No pollution or only dry, non conductive pollution occurs. The pollution has no influence.
- **Degree 2** (Personal computer in a residential area):
Only non conductive pollution occurs except that occasionally a temporary conductivity caused by condensation is to be expected.
- **Degree 3** (Machine tools):
Conductive pollution occurs or dry non-conductive pollution occurs which becomes conductive due to condensation which is to be expected.
- **Degree 4** (Equipments on roof, locomotives):
Continuous conductivity occurs due to conductive dust, rain or other wet conditions.

Finally, the harsher the environment is, the longer clearance and creepage distances should be. Nonetheless, according the IEC 61984, enclosure rated at IP54 or higher can be dimensioned for a lower pollution degree. This applies to mated connectors disengaged for test and maintenance.

Marking

The marking should give enough details to the user to know what the main characteristics are and without going deep in technical documentation. Below examples identify the suitability of the connector:

- **Example 1:**
Marking of a connector with rated current 16A, rated voltage 400V, rated impulse voltage 6kV and pollution degree 3, 2 and 1 for use in any system, preferably unearthed or delta-earthed systems:

16A 400V 6kV 3

- **Example 2:**
Marking of a connector with rated current 16A, rated insulation voltages line-to-earth 250V, line-to-line 400V, rated impulse voltage 4kV and pollution degree 3, 2 and 1 for use in earthed systems:

16A 250V 400V 4kV 3

IEC 61140 Explained

IEC 61140

On a daily basis, we are using many electrical appliances, some are grounded, and some are not. The levels of grounding protection are clearly defined by the International Electrotechnical Commission standard IEC 61140, a standard that has an influence on our connectors and how they should be used; our customers therefore need to pay particular attention to the three categories defined within this standard to ensure compatibility with their system. Everything explained hereafter is valid for connectors not intended to interrupt current.

Class I:

Devices which belong to this category have their chassis grounded via the ground wire (green/yellow in Europe, green in the US, Canada and Japan). A fault in the appliance might cause a live conductor to energize the casing. In this case, the current flows to the ground conductor and the circuit interrupter will cut off the power supply. In case of the UTS series, it means the envelope (coupling ring, backshell and housing) may become live, therefore, care needs to be taken to attach the connector to the ground. This is usually done via the ground conductor using a splice between the ground contact and the housing.

Class II:

Products in this category have reinforced insulation, meaning that the casing does not need to be connected to ground. In this case, the possibility of electric shock has been removed. Most of the time, reinforced insulation means double insulation, i.e. the second layer will take over the first one in case the first one fails. The UTS series is not designed to comply with this standard, so we cannot recommend it for this product category.

Note: UL 1310 also defines a class II device, but in that case this is just to set the upper limit of use, like a wall charger for our cell phone.

Class III:

In this category, electrical appliances are fed by a low voltage source (<48VAC or < 120VDC). In normal conditions live conductors can be accessible without any risk for the end user. No particular attention needs to be taken in regards to UTS series when it comes to a class III device.

Conclusion:

UTS series can be used in class I and class III environments, but each category affects the product performance. Throughout the catalog, current and voltage ratings have been given for class I devices keeping in mind the ground conductor needs to be attached according to recommended wiring instructions.

Note: Special applications like recreational vehicles are not under the scope of the IEC 61140.

What is NEMA Rating ?

- NEMA ratings vs IP ratings

Whereas IP ratings only consider protection against ingress of foreign bodies (first digit) and ingress of water (second digit), NEMA ratings consider these but also verify protection from external ice, corrosive materials, oil immersion, etc.

The correlation between NEMA & IP being limited only to dust and water, we can state that a NEMA type is equivalent to an IP rating but it is not possible to say the contrary.

Below a list of some NEMA standards:

| Enclosure rating | IP20 | IP22 | IP55 | IP64 | IP65 | IP66 | IP67 | IP68 |
|------------------|------|------|------|------|------|------|------|------|
| Type 1 | • | | | | | | | |
| Type 3 | | | | • | | | | |
| Type 3R | | • | | | | | | |
| Type 3S | | | | • | | | | |
| Type 4 | | | | | | • | | |
| Type 4X | | | | | | • | | |
| Type 6 | | | | | | | • | |
| Type 6P | | | | | | | | • |
| Type 12 | | | • | | | | | |
| Type 13 | | | | | • | | | |

• indicates compliance

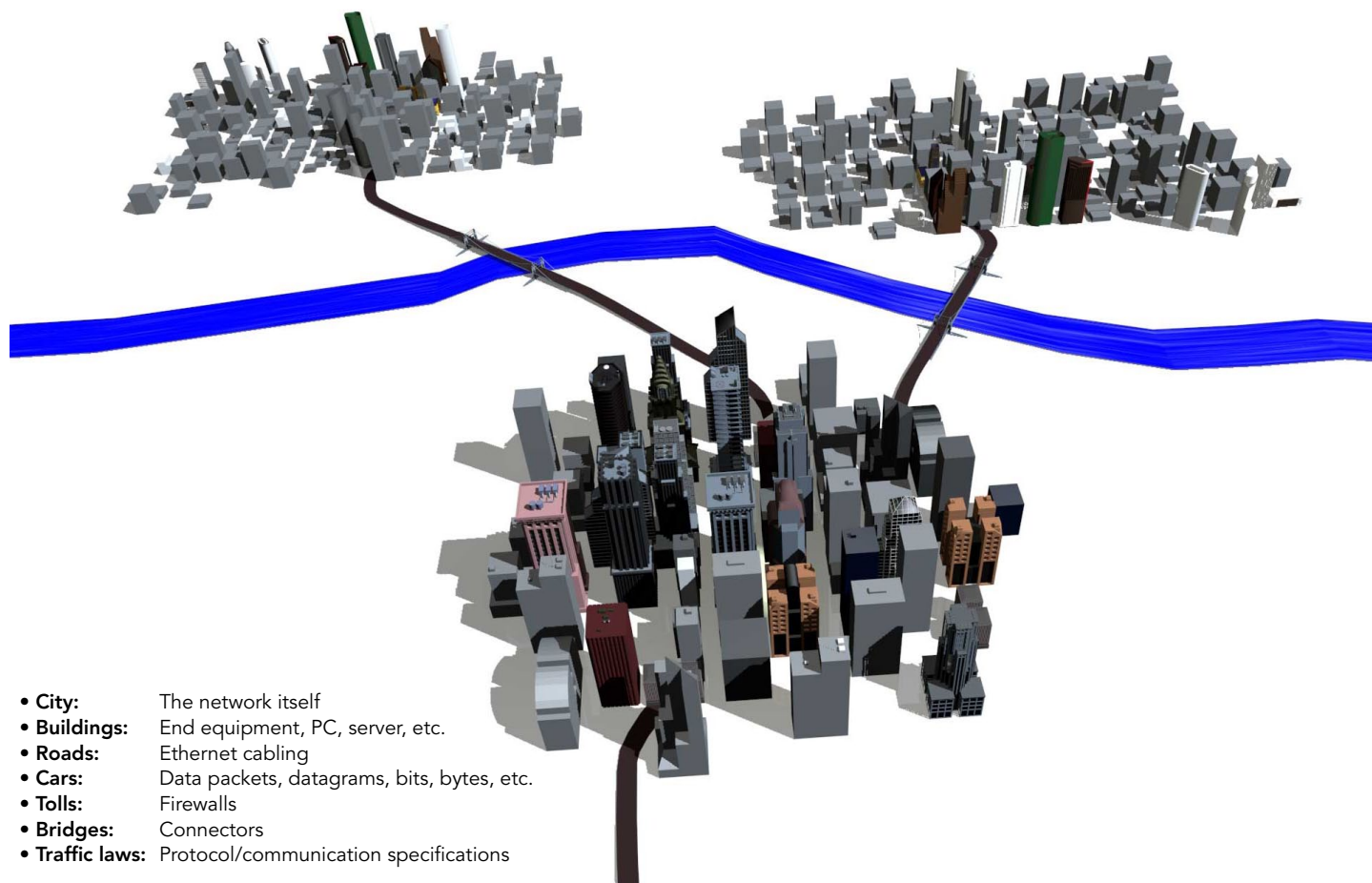


Type 6 rating can be either Type 6 or Type 6P - please see below:

| | | |
|----|------|---|
| 6 | IP67 | Enclosures constructed for either indoor or outdoor use to provide a degree of protection to personnel against incidental contact with the enclosed equipment, falling dirt, hose-directed water, the entry of water during occasional temporary submersion at a limited depth and damage from external ice formation. |
| 6P | IP68 | Enclosures constructed for either indoor or outdoor use to provide a degree of protection to personnel against incidental contact with the enclosed equipment, falling dirt, hose-directed water, the entry of water during prolonged submersion at a limited depth and damage from external ice formation. |

Ethernet for the Layman

In order to explain basic Ethernet theory, we can use a functional comparison to a busy city with highways, buildings and cars. To illustrate this, the table below provides correlation between the different components/pieces/links that encompass Ethernet network connectivity, and the larger scale infrastructure of a metropolitan city.



Ethernet Basics

Ethernet is a widely used communications protocol that is used to transmit data packets (datagrams) between network devices. Imagine a highway in a large metropolitan area six lanes wide at rush hour. The vehicles on the highway need rules to follow so that they get to their destination without crashing into each other. In an Ethernet network link, there could be 100 million bits of information transmitted in one second. In the Ethernet standard, there exist rules to govern packet structure, transmission requirements, error correction, communication with end equipment, etc.

Examining the differences between 100Mhz, 100 Base TX, Cat5e/Cat6. What does it all mean?

When discussing connectors and Ethernet, there are a few key details to be aware of:

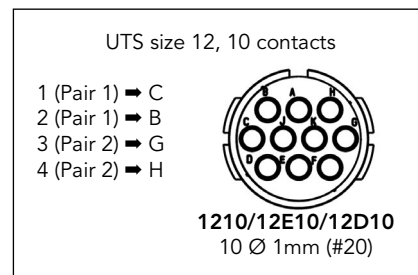
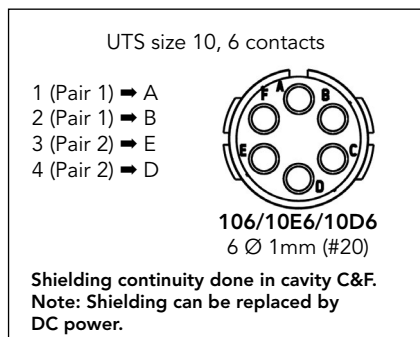
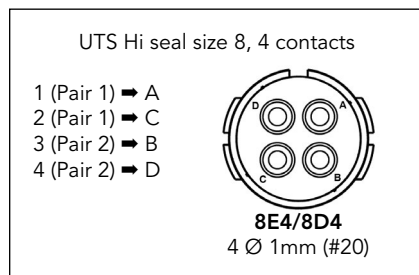
- 100Mhz is a measurement of Frequency for the signal
 - Comparable to the Speed Limit of a highway
- 100BaseTX (or Fast Ethernet) is an Ethernet link standard and identifies available link bandwidth. The bandwidth is measured in units of MBits/S (megabits per second)
 - Comparable to the number of cars that pass a point in one second
- Cat5e/Cat6 are an EIA/TIA standard for performance and physical characteristics for cables and connectors
 - Comparable to performance specifications of the car and highway.

In connectors and cables, Fast Ethernet uses 2 pairs. One for transmit and one for receive. This way data traffic can flow in both directions simultaneously.

Ethernet for the Layman (Continued)

Souriau offering:

Standard solutions.



What about using coax contacts ?

Ethernet twisted pairs carry a symmetrical (balanced) signal. Once terminated into a coax contact, the inner core will be protected by a shield - but not the outer contact. Because of EMI issues, the signal will no longer be balanced. Conclusion - it does not work and is not recommended.

What about using Quadrax contacts ?

The Quadrax contact is used in railway applications because of the use of quad cable. In this specific market, the standard Ethernet twisted pairs wires cannot be offered, they are too thin and often solid (not stranded).

In the rest of industry, UTP (Unshielded Twisted Pairs) cables are widely used. The Quadrax contact is not designed to terminate them. And thus, are not advised for industrial applications.

Conclusion

To carry 100Mb/s data signal, 100BaseTX or Fast Ethernet recommends the use of Cat5e connectors as well as Cat5e cable with the support of a 100MHz signal. Nevertheless, a 100Mb/s signal can be transmitted in certain conditions (short distance, only one connector, lower frequency but a different code) thru many other connection materials - not necessarily Cat5e rated.

UTS SERIES

Appendices

| | |
|--|-----|
| ■ #16 Coaxial Contacts/Cabling Notices | 200 |
| ■ Glossary of Terms | 207 |
| ■ Discrimination/Keying Methods | 208 |
| ■ Part number Index | 209 |

#16 Coaxial Contacts

Coaxial Cable - Contact Monocrimp and Multipiece

| Cable type | Impedance | Contact type | Ø over jacket | | Ø over dielectric | | Inner cond size Ext. Ø mm | Ø outer braid | | Male contact kit for coaxial cable | Female contact kit for coaxial cable |
|----------------------------|-----------|--------------|---------------|----------|-------------------|--------|---------------------------------|---------------|----------|------------------------------------|--------------------------------------|
| | | | inch | mm | inch | mm | | inch | mm | | |
| RG161/U | 75 | Multi piece | 0.09" | 2.29 | 0.057" | 1.45 | - | - | - | RMDXK10D28 | RCDXK1D28 |
| RG179A/U | 75 | | 0.105" | 2.67 | 0.063" | 1.6 | 0.3 | 0.084" | 2.13 max | | |
| RG179B/U | 75 | | 0.105" | 2.67 | 0.063" | 1.6 | 0.3 | 0.084" | 2.13 max | | |
| RG187/U | 75 | | 0.11" | 2.79 max | 0.06" | 1.52 | 0.3 | - | - | | |
| RG188/U | 50 | | 0.11" | 2.79 max | 0.06" | 1.52 | 0.51 | 0.078" | 1.98 max | | |
| RG174/U | 50 | | 0.11" | 2.92 | 0.06" | 1.52 | 0.48 | 0.088" | 2.24 max | | |
| AMPHENOL 21-598 | 50 | | 0.105" | 2.67 | 0.06" | 1.52 | 0.48 | - | - | | |
| RG196/U | 50 | | 0.08" | 2.03 max | 0.034" | 0.086 | 0.3 | - | - | | |
| RG178A/U | 50 | | 0.075" | 1.91 | 0.034" | 0.86 | 0.3 | 0.054" | 1.37 max | | |
| RG/188A/U | 50 | Mono crimp | 0.110" | 2.79 | 0.06" | 1.52 | 0.51 | 0.078" | 1.98 max | RMDX6036D28 | RCDX6036D28 |
| KX21TVT (europe) RG178 B/U | 50 | | 0.075" | 1.91 | 0.034" | 0.86 | 0.3 | 0.054" | 1.37 max | RMDX6034D28 | RCDX6034D28 |
| RG178 / BU | 50 | | 0.075" | 1.91 | 0.034" | 0.86 | 0.3 | 0.054" | 1.37 max | RMDX6050D28 | RCDX6016D28 |
| RG174/U | 50 | | 0.115" | 2.92 | 0.06" | 1.52 | 0.48 | 0.088" | 2.24 max | RMDX6032D28 | RCDX6032D28 |
| RG188A/U | 50 | | 0.11" | 2.79 | 0.06" | 1.52 | 0.51 | 0.078" | 1.98 max | RMDX6036D28 | RCDX6036D28 |
| RG316/U | 50 | | 0.107" | 2.72 | 0.06" | 1.52 | 0.51 | 0.078" | 2.05 max | RMDX6036D28 | RCDX6036D28 |
| raychem 5024A3111 | 50 | | 0.12" | 3.05 | 0.083" | 2.11 | 0.64 | 0.097" | 2.46 | RMDX6052D28 | RCDX6052D28 |
| raychem 5026e1614 | 50 | | 0.083" | 2.11 | 0.05" | 1.27 | 0.48 | 0.067" | 1.7 | RMDX6036D28 | RCDX6036D28 |
| surprenant pn 8134 | - | | Multi piece | 0.1" | 2.54 | 0.058" | 1.47 | 0.3 | - | - | RMDXK10D28 |
| PRD PN 247AS-C1123-001 | - | Mono crimp | 0.103" | 2.62 | 0.06" | 1.52 | 0.51 | 0.078" | 1.98 | RMDX6018D28 | RCDX6018D28 |
| PRD PN 247AS-C1251 | - | | 0.092" | 2.34 | 0.05" | 1.27 | 0.64 | 0.067" | 1.7 | RMDX6018D28 | RCDX6018D28 |
| JUDD C15013010902 | - | | 0.087" | 2.13 | 0.05" | 1.27 | 0.48 | 0.066" | 1.67 | RMDX6036D28 | RCDX6036D28 |
| CDC PIN22939200 | - | | 0.09" | 2.29 | 0.048" | 1.22 | 0.3 | 0.064" | 1.63 | RMDX6046D28 | RCDX6016D28 |
| CDC PIN22939200 | - | | 0.09" | 2.29 | 0.048" | 1.22 | 0.3 | 0.064" | 1.63 | RMDX6050D28 | RCDX6016D28 |
| CDC PIN245670000 | - | | 0.104" | 2.64 | 0.067" | 1.7 | 0.3 | 0.083" | 2.11 | RMDX6050D28 | RCDX6016D28 |
| ampex | - | | 0.114" | 2.9 | 0.075" | 1.91 | 0.38 | 0.09" | 1.29 | RMDX6032D28 | RCDX6032D28 |
| TI PN 920580 | - | | 0.7" | 1.78 | 0.038" | 0.96 | 0.48 | 0.054v | 1.37 | RMDX6024D28 | RCDX6024D28 |
| Honeywell PN 58000062 | - | | 0.12" | 3.05 | 0.077" | 1.96 | 0.41 solid | 0.096" | 2.44 | RMDX6026D28 | RCDX6026D28 |
| - | - | | 0.104" | 2.64 | 0.067" | 1.7 | 0.3 | - | 2.11 | RMDX6050D28 | - |
| - | - | | 0.09" | 2.29 | 0.048" | 1.22 | 0.3 | - | 1.63 | RMDX6050D28 | - |
| - | - | | 0.114" | 2.9 | 0.075" | 1.91 | 0.38 | - | 1.29 | RMDX6032D28 | RCDX6032D28 |
| - | - | | 0.07" | 1.78 | 0.038" | 0.96 | 0.48 | - | 1.37 | RMDX6024D28 | RCDX6024D28 |
| - | - | | 0.12" | 3.05 | 0.077" | 1.96 | 0.41 | - | 2.44 | RMDX6026D28 | RCDX6026D28 |

Twisted Cable - Contact Monocrimp and Multipiece

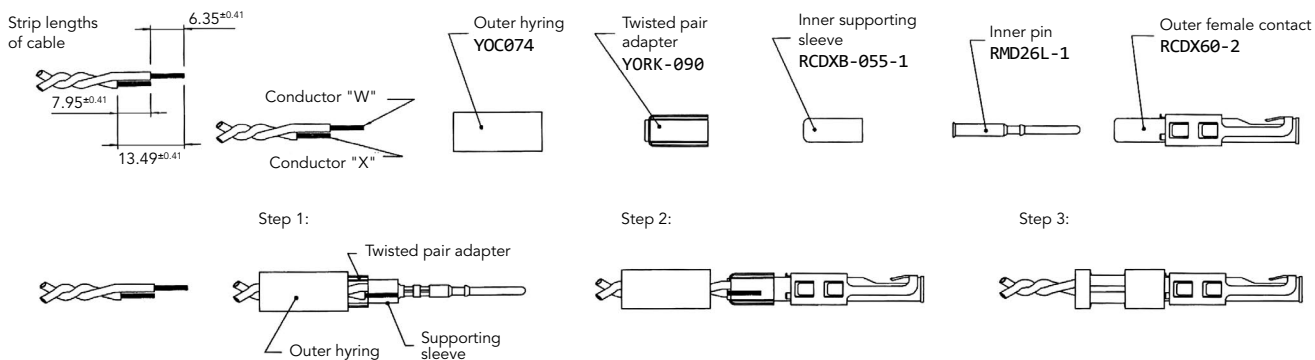
| Cable type | Contact type | Inner AWG cond | Ø over jacket (single wire) | | Inner cond size | | Ø outer braid | | Male contact kit for coaxial cable | Female contact kit for coaxial cable |
|---|--------------|----------------|-----------------------------|----------|---------------------|-----------|---------------|-----------------------|------------------------------------|--------------------------------------|
| | | | inch | mm | Stranded definition | Ext. Ø mm | inch | mm | | |
| 2#24 stranded MIL-W-16878 type B | Multi piece | 24 | 0.049" | 1.24 max | 7/.008 | - | - | - | RMDXK10D28 | RCDXK1D28 |
| 2 #24 solid MIL-W-76 type LW | | 24 | 0.047" | 1.12 max | 1/.0201 | - | - | - | RMDXK10D28 | RCDXK1D28 |
| 2 #26 stranded MIL-W-76 type LW or MIL-W-16878 type B&E | | 26 | 0.043" | 1.09 max | 7/.0063 | 0.16 | - | - | RMDXK10D28 | RCDXK1D28 |
| 2 #28 solid MIL-W-81822/3 | | 28 | 0.028" | 0.71 max | - | - | - | - | RMDXK10D28 | RCDXK1D28 |
| Twisted pair 1/.201 solid MIL-W-76 type LW or MIL-W-16878 | | 26 | 0.044" | 1.12 max | 1/.0201 | 0.511 | - | - | RMDXK10D28 | RCDXK1D28 |
| Twisted pair solid MIL-W-81822/3 | | 28 | 0.028" | 0.71 max | 1/.0126 | 0.32 | - | - | RMDXK10D28 | RCDXK1D28 |
| #28 7/.0036 per Hitachi spec ec-711 (13-2820) | Mono crimp | - | 0.046" | 1.17 | 7/.0036 | - | - | - | RMDX6031D28 + YORX090 | RCDX6031D28 + YORX090 |
| 20218201 | | - | 0.028" | 0.71 | - | - | - | - | RMDX6031D28 + YORX090 | RCDX6031D28 + YORX090 |
| #30 solid | | - | 0.025" | 0.64 | - | - | - | - | RMDX6015D28 + YORX090 | RCDX6015D28 + YORX090 |
| #26 7/.0063 | | 26 | 0.028" | 0.71 | 7/.063 | 0.16 | - | - | RMDX6031D28 + YORX090 | RCDX6031D28 + YORX090 |
| #26 19/.004 | | 26 | 0.049" | 1.24 | 19/.004 | - | - | - | RMDX6019D28 + YORX090 | RCDX6019D28 + YORX090 |
| #24 7/.008 | | 24 | 0.049" | 1.24 | 7/.008 | - | - | - | RMDX6019D28 + YORX090 | RCDX6019D28 + YORX090 |
| #24 19/.005 | | 24 | 0.057" | 1.45 | 19/.005 | - | - | - | RMDX6019D28 + YORX090 | RCDX6019D28 + YORX090 |
| - | | 26 | - | 1.25 | - | - | - | 19x0.1 | RMDX6019D28 + YORX090 | RCDX6019D28 + YORX090 |
| - | | 24 | - | 1.25 | - | - | - | 7x0.2 | RMDX6019D28 + YORX090 | RCDX6019D28 + YORX090 |
| - | | 24 | - | 1.45 | - | - | - | 19x0.13 | RMDX6019D28 + YORX090 | RCDX6019D28 + YORX090 |
| - | 26 | - | 0.7 | - | - | - | 7x0.16 | RMDX6031D28 + YORX090 | RCDX6031D28 + YORX090 | |

#16 Coaxial Contacts (Continued)

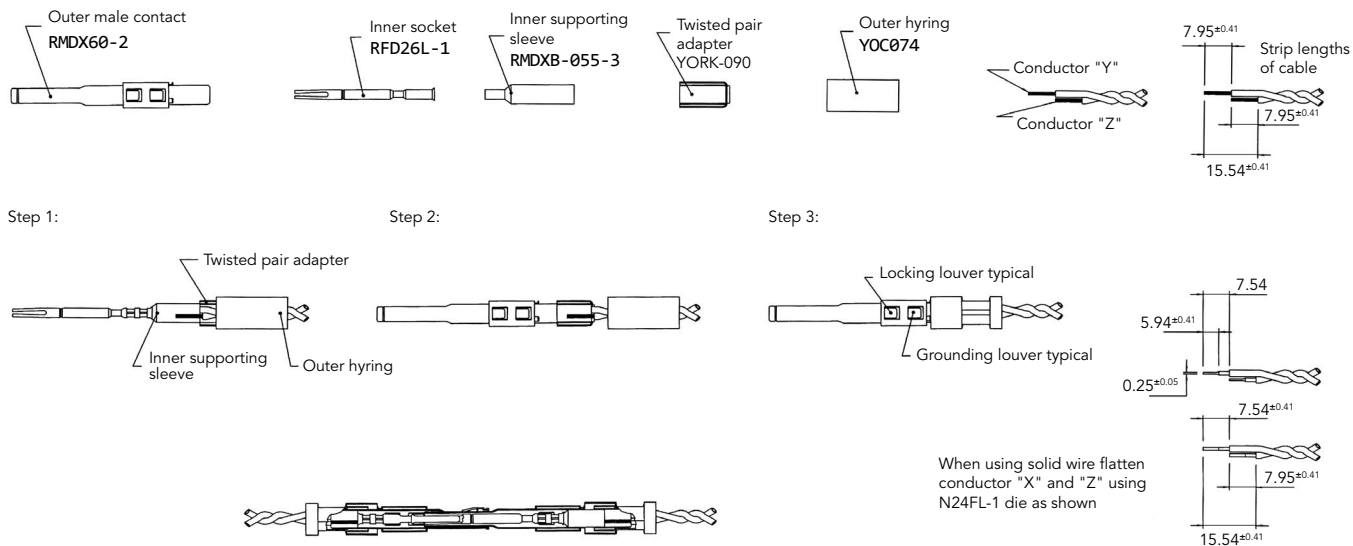
Twisted Pair Cable Multipiece Contact Cabling

| Cable reference | Contact type | Male contact | Female contact | Crimp tool | Die set | Stop bushing | Cable strip length | | | Inner conductor crimp | | Braid crimp | |
|---|--------------|--------------|----------------|------------|---------|--------------|--------------------|---|---|-----------------------|-------|-------------|-------|
| | | | | | | | A | B | C | g dim | t dim | g dim | t dim |
| 2#24 stranded mil w 16878 type B | Multi piece | RMDXK10D28 | RCDXK1D28 | M10S1J | - | - | | | | See assembly notice | | | |
| 2 #24 solid mil-w-76 type LW | | | | | | | | | | | | | |
| 2 #26 stranded mil w 76 type LW or mil w16878 type B & E | | | | | | | | | | | | | |
| 2 #28 solid mil-w-81822/3 | | | | | | | | | | | | | |
| twisted pair 1/.201 solid mil w 76 type LW or mil w 16878 | | | | | | | | | | | | | |
| twisted pair solid mil w 81822/3 | | | | | | | | | | | | | |

Female contact



Male contact



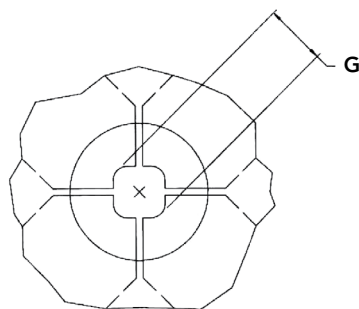
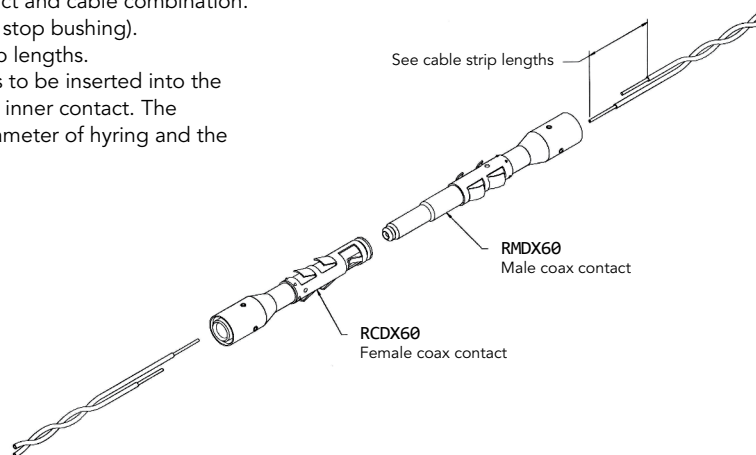
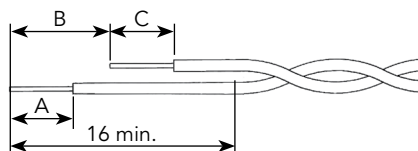
Note : all dimensions are in mm

Twisted Pair Cable Monocrimp Contact Cabling

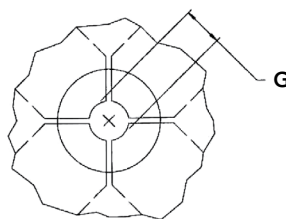
| Cable reference | Contact type | Male contact | Female contact | Crimp tool | Die set | Stop bushing | Cable strip length | | | Inner conductor crimp | | Braid crimp | | |
|---|--------------|-----------------------|-----------------------|------------|---------|--------------|---------------------|-----|------|-----------------------|--------------|--------------|--------------|--|
| | | | | | | | A | B | C | g dim | t dim | g dim | t dim | |
| #28 7/.0036 per Hitachi spec ec-711 (13-2820) | Mono crimp | RMDX6031D28 + YORX090 | RCDX6031D28 + YORX090 | M10S1J | S80 | SL105 | 4.7 | 6.1 | 4.32 | 1.30 to 1.12 | 1.4 to 1.22 | 2.97 to 2.84 | 3.07 to 2.9 | |
| 20218204 | | | | | | | 3.94 | 6.1 | 3.16 | 1.30 to 1.17 | 1.4 to 1.22 | 2.97 to 2.84 | 3.07 to 2.79 | |
| #30 solid | | | | | | | 4.7 | 6.1 | 4.06 | 1.22 to 1.12 | 1.35 to 1.22 | 2.97 to 2.84 | 3.12 to 2.95 | |
| #26 7/.0063 | | | | | | | 4.7 | 6.1 | 4.06 | 1.30 to 1.17 | 1.4 to 1.22 | 2.97 to 2.84 | 3.07 to 2.9 | |
| #26 19/.004 | | | | | | | 4.7 | 6.1 | 4.06 | 1.22 to 1.17 | 1.35 to 1.22 | 2.84 to 2.79 | 3.12 to 2.97 | |
| #24 7/.008 | | | | | | | 4.7 | 6.1 | 4.06 | 1.22 to 1.17 | 1.35 to 1.22 | 2.84 to 2.79 | 3.12 to 2.97 | |
| #24 19/.005 | | | | | | | 4.7 | 6.1 | 4.06 | 1.22 to 1.17 | 1.35 to 1.22 | 2.84 to 2.79 | 3.12 to 2.97 | |
| AWG26 (19x0.1) | | | | | | | M10S68 crimping kit | 4.7 | 6 | 4 | | | | |
| AWG24 (7x0.2) | | | | | | | | | | | | | | |
| AWG24 (19x0.13) | | | | | | | | | | | | | | |
| AWG26 (7x0.16) | | | | | | | | | | | | | | |

- Select appropriate monocrimp coax twisted pair contact and cable combination.
- Select appropriate crimp tooling (hand tool, S-die set, stop bushing).
- Strip the twisted pair cable to the designated wire strip lengths.
- Insert the stripped cable into the contact. One cable is to be inserted into the inside diameter of hyring, and pushed forward into the inner contact. The second cable is to be inserted between the outside diameter of hyring and the inside diameter of the outer contact body.
- Crimp the contact.

Cable strip length



Braid crimp (G) to be measured with die set fully closed



Inner conductor crimp (G) to be measured with die set fully closed

Note : all dimensions are in mm

#16 Coaxial Contacts (Continued)

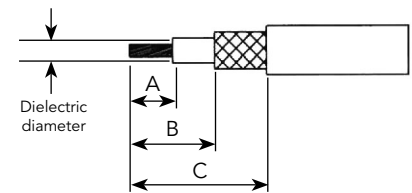
Multipiece Male Contact with Coax Cable

| Cable reference | Contact | Hyring complementary compoments | Outer contact crimp tool | | Inner contact crimp tool | | Cable strip length | | |
|--------------------|---------------------|---------------------------------|--------------------------|--------------|--------------------------|--------------|--------------------|------|-------|
| | | | Crimp tool M10S1J | | Crimp tool M10S1J | | A | B | C |
| | | | Die set | Stop bushing | Die set | Stop bushing | | | |
| RG161U | Male: RMDXK10D28 | YOC074 | S221 | SL471 | S23D2 | SL46D2 | 4.37 | 7.95 | 15.88 |
| RG179 | | | | | | | 4.37 | 7.95 | 15.88 |
| RG187U | | | | | | | 4.37 | 7.95 | 15.88 |
| RG188/U | | YOC074 + RMDXB0553 | | | S26D2 | | 4.37 | 7.95 | 15.88 |
| RG174/U | | | | | | | 4.37 | 7.95 | 15.88 |
| RG178A/U | | | | | | | 7.54 | 9.12 | 17.53 |
| RG196U | | YOC074 | | | - | | 7.54 | 9.12 | 17.53 |
| AMPHENOL 21-598 | | | | | | | 4.37 | 7.95 | 15.88 |
| surprenant pn 8134 | | | | | | | 4.37 | 7.95 | 15.88 |

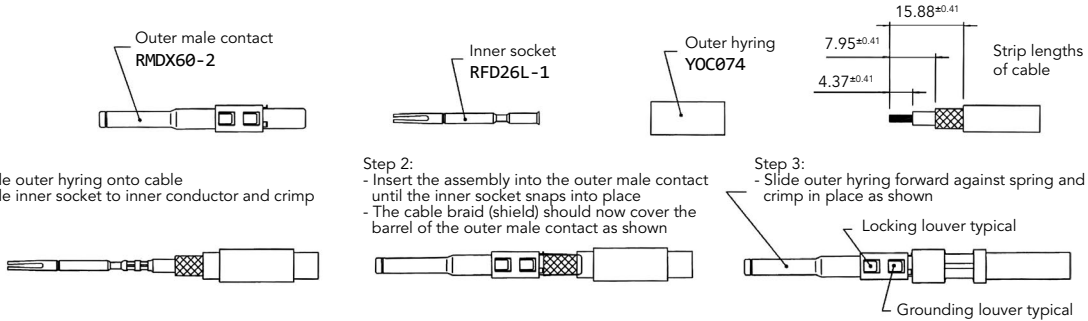
Multipiece kit details

| | | |
|---------------------|------------|-------------------------|
| RMDXK10D28 includes | RMDX602D28 | Outer contact |
| | RFD26L1D28 | Inner contact |
| | YOC074 | Outer hyring |
| | RMDXB0553 | Inner supporting sleeve |

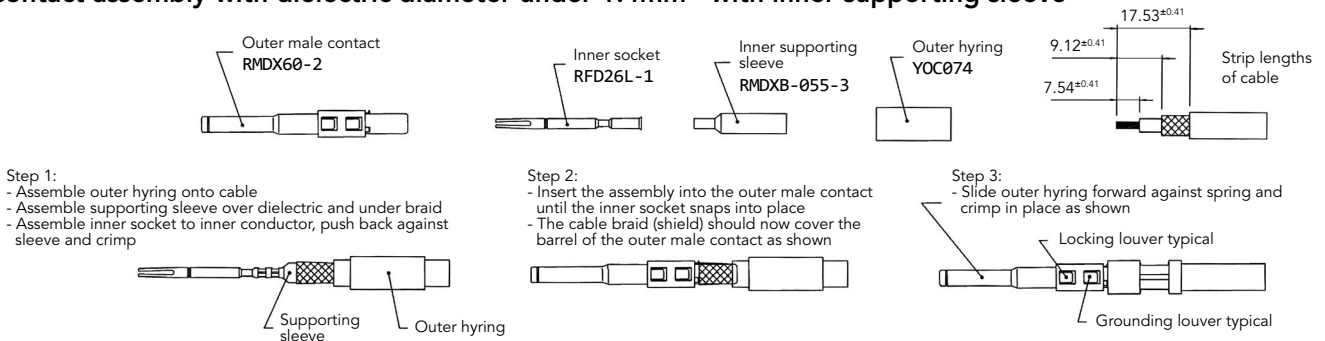
Cable strip length



Contact assembly with dielectric diameter over 1.4mm - without inner supporting sleeve



Contact assembly with dielectric diameter under 1.4mm - with inner supporting sleeve



Note : all dimensions are in mm

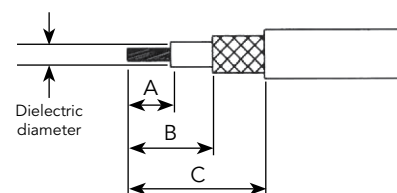
Multipiece Female Contact with Coax Cable

| Cable reference | Contact | Hyring complementary compoments | Outer contact crimp tool | | Inner contact crimp tool | | Cable strip length | | |
|-----------------------|----------------------|---------------------------------|--------------------------|--------------|--------------------------|--------------|--------------------|---|-------|
| | | | Crimp tool M10S1J | | Crimp tool M10S1J | | A | B | C |
| | | | Die set | Stop bushing | Die set | Stop bushing | | | |
| RG161U | Female: RCDXK1D28 | YOC074 | S221 | SL471 | S23D2 | SL46D2 | 4.37 | - | 11.13 |
| RG179 | | | | | | | 4.37 | | 11.13 |
| RG187U | | | | | | | 4.37 | | 11.13 |
| RG188/U | | | | | | | 4.37 | | 11.13 |
| RG174/U | | YOC074 + RMDXB0553 | | | 4.37 | | 11.13 | | |
| RG178A/U | | | | | 6.35 | | 11.13 | | |
| RG196U | | | | | 6.35 | | 11.13 | | |
| AMPHENOL 21-598 | | YOC074 | | | - | | 4.37 | | 11.13 |
| surprenant pn 8134 | | | | | - | | 4.37 | | 11.13 |

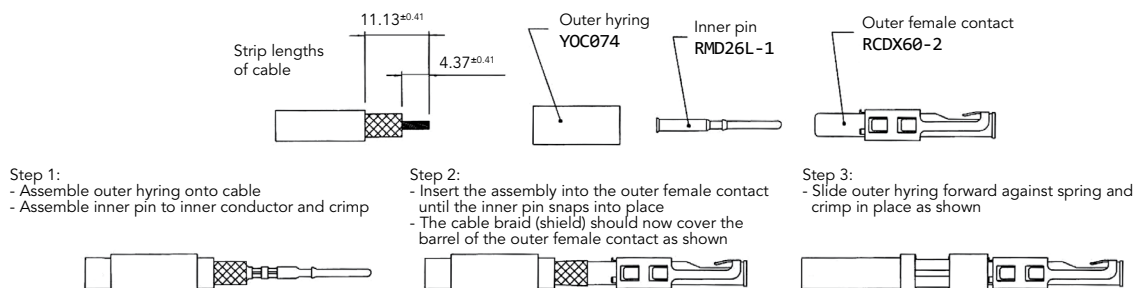
Multipiece kit details

| RCDXK1D28 includes | Part | Description |
|--------------------|------------|-------------------------|
| | RCDX602D28 | Outer contact |
| | RMD26L1D28 | Inner contact |
| | YOC074 | Outer hyring |
| | RCDXB0553 | Inner supporting sleeve |

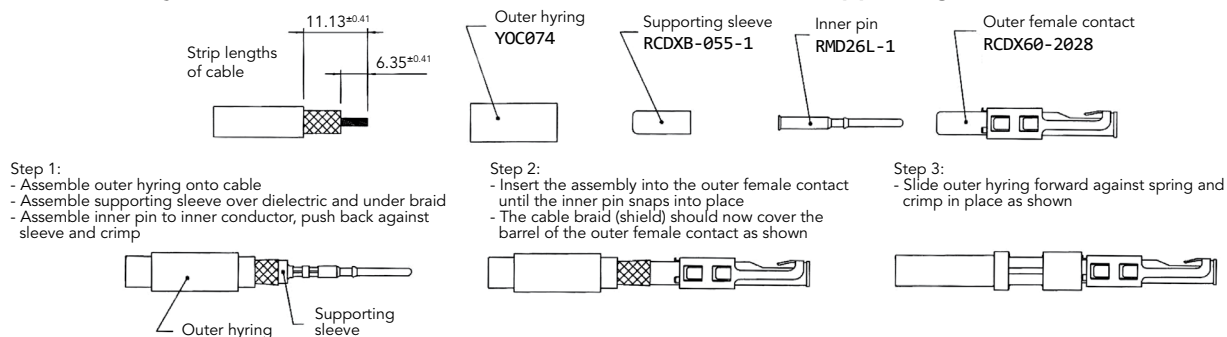
Cable strip length



Contact assembly with dielectric diameter over 1.4mm - without inner supporting sleeve



Contact assembly with dielectric diameter under 1.4mm - with inner supporting sleeve



Note : all dimensions are in mm

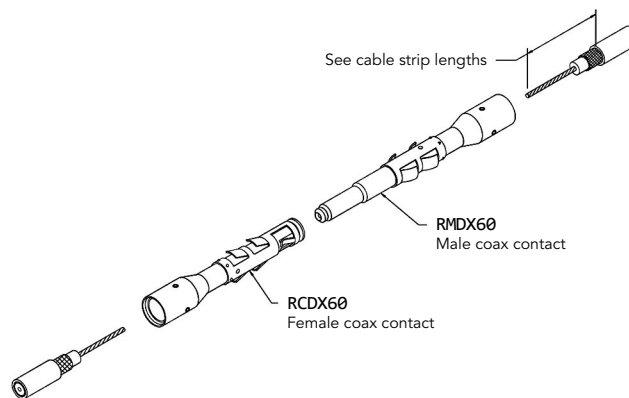
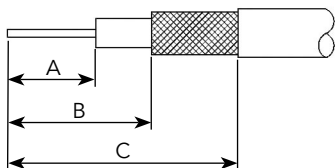
#16 Coaxial Contacts (Continued)

Coax Cable with Monocrimp Contact Cabling

| Cable reference | Male contact | Female contact | Crimp tool | Die set | Stop bushing | Cable strip length | | | Inner conductor crimp | | Braid crimp | | |
|-------------------------------------|--------------|----------------|------------|---|--------------|--------------------|------|-------|-----------------------|-----------|-------------|-----------|-----------|
| | | | | | | A | B | C | g dim | t dim | g dim | t dim | |
| CDC PIN22939200 | RMDX6046D28 | RCDX6016D28 | M1051J | S80 | SL105 | 4.19 | 5.97 | 8.51 | 1.30/1.17 | 1.40/1.22 | 2.77/2.64 | 3.02/2.84 | |
| CDC PIN22939200 | RMDX6046D28 | RCDX6016D28 | | S87 | SL105 | 5.08 | 6.35 | 8.89 | 1.30/1.17 | 1.40/1.22 | 2.77/2.64 | 3.02/2.84 | |
| CDC PIN245670000 | RMDX6050D28 | RCDX6016D28 | | S80 | SL105 | 5.08 | 6.35 | 8.89 | 1.30/1.17 | 1.40/1.22 | 2.97/2.84 | 3.12/2.95 | |
| KX21TVT (europe) RG178 B/U | RMDX6034D28 | RCDX6034D28 | | S82 | SL105 | 5.08 | 6.35 | 8.89 | 1.30/1.17 | 1.32/1.17 | 2.84/2.74 | 3.07/2.9 | |
| RG178 / BU | RMDX6050D28 | RCDX6016D28 | | S87 | SL105 | 5.08 | 6.35 | 8.89 | 1.30/1.17 | 1.40/1.22 | 2.77/2.64 | 3.02/2.84 | |
| ampex | RMDX6032D28 | RCDX6032D28 | | S80 | SL105 | 5.08 | 6.35 | 11.68 | 1.30/1.17 | 1.40/1.22 | 2.97/2.84 | 3.12/2.95 | |
| TI PN 920580 | RMDX6024D28 | RCDX6024D28 | | S82 | SL105 | 5.08 | 6.35 | 8.89 | 1.35/1.19 | 1.42/1.27 | 2.87/2.74 | 3.07/2.9 | |
| RG174/U | RMDX6032D28 | RCDX6032D28 | | S80 | SL105 | 5.08 | 6.35 | 11.68 | 1.30/1.17 | 1.40/1.22 | 2.97/2.84 | 3.12/2.95 | |
| Honeywell PN 58000062 | RMDX6026D28 | RCDX6026D28 | | S82 | SL105 | 5.08 | 6.35 | 8.89 | 1.35/1.19 | 1.42/1.27 | 2.87/2.74 | 3.07/2.9 | |
| RG188A/U | RMDX6036D28 | RCDX6036D28 | | S80 | SL105 | 5.08 | 6.35 | 11.68 | 1.30/1.17 | 1.40/1.22 | 2.97/2.84 | 3.12/2.95 | |
| RG316/U | RMDX6036D28 | RCDX6036D28 | | S80 | SL105 | 5.08 | 6.35 | 11.68 | 1.30/1.17 | 1.40/1.22 | 2.97/2.84 | 3.12/2.95 | |
| PRD PN 247AS-C1123-001 | RMDX6018D28 | RCDX6018D28 | | M105G8 TOOL DIE SET STOP BUSHING M1051J TOOL | | | 5.08 | 6.35 | 8.89 | 1.22/1.17 | 1.35/1.22 | 2.92/2.79 | 3.12/2.97 |
| PRD PN 247AS-C1251 | RMDX6018D28 | RCDX6018D28 | | | | | 5.08 | 6.35 | 8.89 | 1.22/1.17 | 1.35/1.22 | 2.92/2.79 | 3.12/2.97 |
| raychem 5024A3111 | RMDX6052D28 | RCDX6052D28 | | S88 | SL105 | 5.08 | 6.35 | 11.68 | 1.37/1.27 | 1.45/1.32 | 2.92/2.79 | | |
| raychem 5026e1614 | RMDX6036D28 | RCDX6036D28 | | M105G8 TOOL DIE SET STOP BUSHING M1051J TOOL | | | 5.08 | 6.35 | 8.89 | 1.22/1.17 | 1.35/1.22 | 2.92/2.79 | 3.12/2.97 |
| JUDD C15013010902 | RMDX6036D28 | RCDX6036D28 | | | | | 5.08 | 6.35 | 8.89 | 1.22/1.17 | 1.35/1.22 | 2.92/2.79 | 3.12/2.97 |
| inner cond. #30, braid diam 2.64 | RMDX6050D28 | - | | S80 | SL105 | 5.1 | 6.35 | 8.9 | - | - | - | - | |
| inner cond. #30, braid diam 2.29 | RMDX6050D28 | - | | S87 | SL105 | 4.2 | 6.35 | 8.5 | - | - | - | - | |
| inner cond. #28, braid diam 2.9 | RMDX6032D28 | RCDX6032D28 | | S80 | SL105 | 5.1 | 6.35 | 11.7 | - | - | - | - | |
| inner cond. #26, braid diam 1.78 | RMDX6024D28 | RCDX6024D28 | | S82 | SL105 | 5.1 | 6.35 | 8.9 | - | - | - | - | |
| inner cond. #26, braid diam 3.05 | RMDX6026D28 | RCDX6026D28 | S82 | SL105 | 5.1 | 6.35 | 8.9 | - | - | - | - | | |

- Select appropriate cable and contact combination.
- Select appropriate crimp tooling (hand tool, S-die set, stop bushing).
- Strip coax cable to the designated wire strip lengths.
- Insert the stripped coax into the rear of the contact.
- Crimp the contact.

Cable strip length



Glossary of Terms

- **Clearance**

Per the IEC 60664-1 it is the shortest distance between two conductive parts even over the air.

- **Creepage distance**

Per the IEC 60664-1 it represents the shortest distance along the surface of the insulating material between two conductive parts.

- **Working voltage**

Per the IEC 60664-1 it is the highest r.m.s. value of A.C. or D.C. voltage across any particular insulation which can occur when the equipment is supplied at rated voltage.

- **Rated impulse voltage**

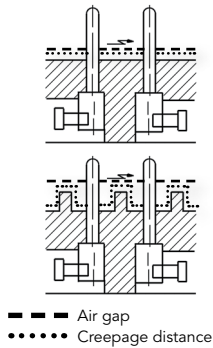
Impulse withstands voltage value assigned by the manufacturer to the equipment or to a part of it characterizing the specified withstand capability of its insulation against transient overvoltage.

- **Working current**

It is the maximum continuous and not interrupted current able to be carried by all contacts without exceeding the maximum temperature of the insulating material.

- **Transient voltage**

Extract from the IEC 60664-1: Short duration overvoltage of a few millisecond or less, oscillatory or non-oscillatory, usually highly damped.



- **CTI (Comparative Tracking Index)**

The CTI value is commonly used to characterise the electrical breakdown properties of an insulating material. It allows users to know the tendency to create creepage paths. This value represents the maximum voltage after 50 drops of ammonium chloride solution without any breakdown.

- **RTI (Relative temperature Index):**

Extract from ULs website:

Maximum service temperature for a material, where a class of critical property will not be unacceptably compromised through chemical thermal degradation, over the reasonable life of an electrical product, relative to a reference material having a confirmed, acceptable corresponding performance defined RTI.

- **RTI Elec:** Electrical RTI, associated with critical electrical insulating properties.

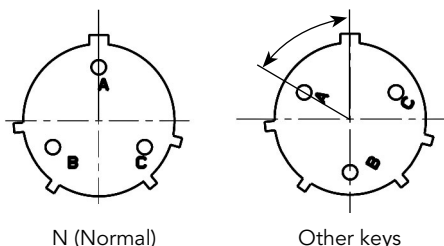
- **RTI Mech Imp:** Mechanical Impact RTI, associated with critical impact resistance, resilience and flexibility properties.

- **RTI Mech Str:** Mechanical Strength (Mechanical without Impact) RTI, associated with critical mechanical strength where impact resistance, resilience and flexibility are not essential.

Discrimination/Keying Methods

In applications where similar connectors are used next to each other, mismatching can cause disturbances, system failure or even danger to operating personnel.

To eliminate mismatching, some Trim Trio® connectors are offered with discrimination keys to avoid interconnection system errors. In addition, the connector insert can also be rotated inside the shell to create custom keying options.



Note: Insert rotated in body
(viewed from front face of male insert)

Connectors with rotated inserts can be ordered by adding the suffix W, X, Y or Z to the standard part number.

e.g. **UTS6JC104S** (N key) → **UTS6JC104SW** (W key)

Consult us for overmoulded harnesses.

| Shell size | Layout | Discrimination keys degrees | | | |
|------------|------------------------------------|-----------------------------|------|------|------|
| | | W | X | Y | Z |
| 8 | 8E2/8D2 | 58° | 122° | - | - |
| | 8E3/8D3 8E3A/ 8D3A 8E98/8D98 | 60° | 210° | - | - |
| | 8E4/8D4 | 45° | - | - | - |
| | 8E33/8D33 | 90° | - | - | - |
| 10 | 102W2/103 | - | - | - | - |
| | 104 | 45° | - | - | - |
| | 103W3 | - | - | - | - |
| | 106 10E6/10D6 | 90° | - | - | - |
| | 10E7/10D7 | 90° | - | - | - |
| 12 | 10E98/ 10D98 | 90° | 180° | 240° | 270° |
| | 12E2/12D2 | - | - | - | - |
| | 12E3/12D3 | - | - | 180° | - |
| | 124 12E4/12D4 | - | - | - | - |
| | 128 | 26° | - | - | - |
| | 12E8/12D8 | 90° | 112° | 203° | 292° |
| | 1210 12E10/12D10 | 60° | 155° | 270° | 295° |
| 14 | 12E14/12D14 | 45° | - | - | - |
| | 14E5/14D5 | 40° | 92° | 184° | 273° |
| | 142G1 | - | - | - | - |
| | 147 14E7/14D7 | - | - | - | - |
| | 148 | - | - | - | - |
| | 1412 | 60° | - | - | - |
| | 1492 | 49° | 71° | 145° | - |
| | 14E12/14D12 | 43° | 90° | - | - |
| | 14E15/14D15 | 17° | 110° | 155° | 234° |
| | 14E18/14D18 | 15° | 90° | 180° | 270° |
| | 1419 | 30° | 165° | 315° | - |
| | 14E19/14D19 | 30° | 165° | 315° | - |
| 18 | 183G1 | - | - | - | - |
| | 18X2M3 | - | - | - | - |
| | 1823 | - | 158° | - | 270° |
| | 1832 18E32/18D32 | 85° | 138° | 222° | 265° |

SMSPE0 (only for UTS layouts using #16 contacts)

When one of these dummy contacts is used, the UTS connector will only mate with a connector which has a vacant cavity at the corresponding position.

The material used is polyamide 6.6.



Part Number Index

Connectors

| | | | | | |
|------------------|--------|-------------------|--------|---------------------|--------|
| UTS0104P..... | P. 68 | UTS014D12P..... | P. 120 | UTS1GJC1492P..... | P. 124 |
| UTS0104S..... | P. 68 | UTS014D12S..... | P. 120 | UTS1GN104P..... | P. 68 |
| UTS010D6P..... | P. 84 | UTS014D15P..... | P. 132 | UTS1GN128P..... | P. 100 |
| UTS010D6S..... | P. 84 | UTS014D15S..... | P. 132 | UTS1GN1412P..... | P. 116 |
| UTS710D6P..... | P. 84 | UTS014D18P..... | P. 136 | UTS1GN147P..... | P. 92 |
| UTS710D6P32..... | P. 84 | UTS014D18S..... | P. 136 | UTS1GN1492P..... | P. 124 |
| UTS710D6S..... | P. 84 | UTS014D19P..... | P. 140 | UTS1JJC102W2P..... | P. 64 |
| UTS710D6S32..... | P. 84 | UTS014D19S..... | P. 140 | UTS1JJC102W2S..... | P. 64 |
| UTS010D98P..... | P. 88 | UTS014D5P..... | P. 72 | UTS1JJC103P..... | P. 28 |
| UTS010D98S..... | P. 88 | UTS014D5S..... | P. 72 | UTS1JJC103S..... | P. 28 |
| UTS010E6P..... | P. 84 | UTS014E12P..... | P. 120 | UTS1JJC103W3P..... | P. 80 |
| UTS010E6S..... | P. 84 | UTS014E12S..... | P. 120 | UTS1JJC103W3S..... | P. 80 |
| UTS010E7P..... | P. 96 | UTS014E15P..... | P. 132 | UTS1JJC104P..... | P. 68 |
| UTS010E7S..... | P. 96 | UTS014E15S..... | P. 132 | UTS1JJC104S..... | P. 68 |
| UTS010E98P..... | P. 88 | UTS014E18P..... | P. 136 | UTS1JJC106P..... | P. 84 |
| UTS010E98S..... | P. 88 | UTS014E18S..... | P. 136 | UTS1JJC106S..... | P. 84 |
| UTS0124P..... | P. 52 | UTS014E19P..... | P. 140 | UTS1JJC1210P..... | P. 112 |
| UTS0128P..... | P. 100 | UTS014E19S..... | P. 140 | UTS1JJC1210S..... | P. 112 |
| UTS0128S..... | P. 100 | UTS014E5P..... | P. 72 | UTS1JJC124P..... | P. 52 |
| UTS012D10P..... | P. 112 | UTS014E5S..... | P. 72 | UTS1JJC124PSCR..... | P. 52 |
| UTS012D10S..... | P. 112 | UTS014E7P..... | P. 92 | UTS1JJC124S..... | P. 52 |
| UTS012D14P..... | P. 128 | UTS014E7S..... | P. 92 | UTS1JJC128P..... | P. 100 |
| UTS012D14S..... | P. 128 | UTS01823P..... | P. 144 | UTS1JJC128S..... | P. 100 |
| UTS012D2P..... | P. 24 | UTS01823S..... | P. 144 | UTS1JJC1412P..... | P. 116 |
| UTS012D2S..... | P. 24 | UTS018E32P..... | P. 148 | UTS1JJC1412S..... | P. 116 |
| UTS012D3P..... | P. 48 | UTS08D2P..... | P. 20 | UTS1JJC1419P..... | P. 140 |
| UTS012D3S..... | P. 48 | UTS08D2S..... | P. 20 | UTS1JJC1419S..... | P. 140 |
| UTS012D4P..... | P. 52 | UTS08D33P..... | P. 44 | UTS1JJC142G1P..... | P. 32 |
| UTS012D4S..... | P. 52 | UTS08D33S..... | P. 44 | UTS1JJC142G1S..... | P. 32 |
| UTS012D8P..... | P. 104 | UTS08D3AP..... | P. 40 | UTS1JJC147P..... | P. 92 |
| UTS012D8S..... | P. 104 | UTS08D3AS..... | P. 40 | UTS1JJC1492P..... | P. 124 |
| UTS012E10P..... | P. 112 | UTS08D3P..... | P. 36 | UTS1JJC1492S..... | P. 124 |
| UTS012E10S..... | P. 112 | UTS08D3S..... | P. 36 | UTS1JJC147PSCR..... | P. 92 |
| UTS012E14P..... | P. 128 | UTS08D4P..... | P. 60 | UTS1JJC147S..... | P. 92 |
| UTS012E14S..... | P. 128 | UTS08D4S..... | P. 60 | UTS1JJC148P..... | P. 108 |
| UTS012E2P..... | P. 24 | UTS08D98P..... | P. 40 | UTS1JJC148S..... | P. 108 |
| UTS012E2S..... | P. 24 | UTS08D98S..... | P. 40 | UTS1JJC1823P..... | P. 144 |
| UTS012E3P..... | P. 48 | UTS08E2P..... | P. 20 | UTS1JJC1823S..... | P. 144 |
| UTS012E3S..... | P. 48 | UTS08E2S..... | P. 20 | UTS1JJC1832P..... | P. 148 |
| UTS012E4P..... | P. 52 | UTS08E33P..... | P. 44 | UTS1JJC1832S..... | P. 148 |
| UTS012E4S..... | P. 52 | UTS08E33S..... | P. 44 | UTS1JJC18LCN..... | P. 152 |
| UTS012E8P..... | P. 104 | UTS08E3AP..... | P. 40 | UTS1JJC18MPN..... | P. 156 |
| UTS012E8S..... | P. 104 | UTS08E3AS..... | P. 40 | UTS6102W2P..... | P. 64 |
| UTS01412P..... | P. 116 | UTS08E3P..... | P. 36 | UTS6102W2S..... | P. 64 |
| UTS01412S..... | P. 116 | UTS08E3S..... | P. 36 | UTS6103P..... | P. 28 |
| UTS0142G1P..... | P. 32 | UTS08E4P..... | P. 60 | UTS6103S..... | P. 28 |
| UTS0147P..... | P. 92 | UTS08E4S..... | P. 60 | UTS6103W3P..... | P. 80 |
| UTS0147S..... | P. 92 | UTS08E98P..... | P. 40 | UTS6103W3S..... | P. 80 |
| UTS01492P..... | P. 124 | UTS08E98S..... | P. 40 | UTS6104P..... | P. 68 |
| UTS01492S..... | P. 124 | UTS1GJC104P..... | P. 68 | UTS6104S..... | P. 68 |
| UTS014D7P..... | P. 92 | UTS1GJC128P..... | P. 100 | UTS6106P..... | P. 84 |
| UTS014D7S..... | P. 92 | UTS1GJC1412P..... | P. 116 | UTS6106S..... | P. 84 |
| | | UTS1GJC147P..... | P. 92 | UTS610E6P..... | P. 84 |

Part Number Index (Continued)

| | | | | | |
|------------------|--------|--------------------|--------|--------------------|--------|
| UTS610E6S..... | P. 84 | UTS68E2P..... | P. 20 | UTS6JC12E3S..... | P. 48 |
| UTS610E7P..... | P. 96 | UTS68E2S..... | P. 20 | UTS6JC12E4P..... | P. 52 |
| UTS610E7S..... | P. 96 | UTS68E33P..... | P. 44 | UTS6JC12E4S..... | P. 52 |
| UTS610E98P..... | P. 88 | UTS68E33S..... | P. 44 | UTS6JC12E8P..... | P. 104 |
| UTS610E98S..... | P. 88 | UTS68E3AP..... | P. 40 | UTS6JC12E8S..... | P. 104 |
| UTS61210P..... | P. 112 | UTS68E3AS..... | P. 40 | UTS6JC1412P..... | P. 116 |
| UTS61210S..... | P. 112 | UTS68E3P..... | P. 36 | UTS6JC1412S..... | P. 116 |
| UTS6124P..... | P. 52 | UTS68E3S..... | P. 36 | UTS6JC1419P..... | P. 140 |
| UTS6124PSCR..... | P. 52 | UTS68E4P..... | P. 60 | UTS6JC1419S..... | P. 140 |
| UTS6124SSCR..... | P. 52 | UTS68E4S..... | P. 60 | UTS6JC142G1P..... | P. 32 |
| UTS6128P..... | P. 100 | UTS68E98P..... | P. 40 | UTS6JC142G1S..... | P. 32 |
| UTS6128S..... | P. 100 | UTS68E98S..... | P. 40 | UTS6JC147P..... | P. 92 |
| UTS612E10P..... | P. 112 | UTS6GGJC104S..... | P. 68 | UTS6JC147PSCR..... | P. 92 |
| UTS612E10S..... | P. 112 | UTS6GGJC128S..... | P. 100 | UTS6JC147S..... | P. 92 |
| UTS612E14P..... | P. 128 | UTS6GGJC1412S..... | P. 116 | UTS6JC147SSCR..... | P. 92 |
| UTS612E14S..... | P. 128 | UTS6GGJC147S..... | P. 92 | UTS6JC1492P..... | P. 124 |
| UTS612E2P..... | P. 24 | UTS6GGJC1492S..... | P. 124 | UTS6JC1492S..... | P. 124 |
| UTS612E2S..... | P. 24 | UTS6GN104S..... | P. 68 | UTS6JC148P..... | P. 108 |
| UTS612E3P..... | P. 48 | UTS6GN128S..... | P. 100 | UTS6JC148S..... | P. 108 |
| UTS612E3S..... | P. 48 | UTS6GN1412S..... | P. 116 | UTS6JC14E12P..... | P. 120 |
| UTS612E4P..... | P. 52 | UTS6GN147S..... | P. 92 | UTS6JC14E12S..... | P. 120 |
| UTS612E4S..... | P. 52 | UTS6GN1492S..... | P. 124 | UTS6JC14E15P..... | P. 132 |
| UTS612E8P..... | P. 104 | UTS6JC102W2P..... | P. 64 | UTS6JC14E15S..... | P. 132 |
| UTS612E8S..... | P. 104 | UTS6JC102W2S..... | P. 64 | UTS6JC14E18P..... | P. 136 |
| UTS61412P..... | P. 116 | UTS6JC103P..... | P. 28 | UTS6JC14E18S..... | P. 136 |
| UTS61412S..... | P. 116 | UTS6JC103S..... | P. 28 | UTS6JC14E19P..... | P. 140 |
| UTS61419P..... | P. 140 | UTS6JC103W3P..... | P. 80 | UTS6JC14E19S..... | P. 140 |
| UTS61419S..... | P. 140 | UTS6JC103W3S..... | P. 80 | UTS6JC14E5P..... | P. 72 |
| UTS6142G1P..... | P. 32 | UTS6JC104P..... | P. 68 | UTS6JC14E5S..... | P. 72 |
| UTS6142G1S..... | P. 32 | UTS6JC104S..... | P. 68 | UTS6JC14E7P..... | P. 92 |
| UTS6147P..... | P. 92 | UTS6JC106P..... | P. 84 | UTS6JC14E7S..... | P. 92 |
| UTS6147S..... | P. 92 | UTS6JC106S..... | P. 84 | UTS6JC1823P..... | P. 144 |
| UTS6148P..... | P. 108 | UTS6JC10E6P..... | P. 84 | UTS6JC1823S..... | P. 144 |
| UTS6148S..... | P. 108 | UTS6JC10E6S..... | P. 84 | UTS6JC1832P..... | P. 148 |
| UTS61492P..... | P. 124 | UTS6JC10E7P..... | P. 96 | UTS6JC1832S..... | P. 148 |
| UTS61492S..... | P. 124 | UTS6JC10E7S..... | P. 96 | UTS6JC183G1P..... | P. 56 |
| UTS614E12P..... | P. 120 | UTS6JC10E98P..... | P. 88 | UTS6JC18LCN..... | P. 152 |
| UTS614E12S..... | P. 120 | UTS6JC10E98S..... | P. 88 | UTS6JC18MPN..... | P. 156 |
| UTS614E15P..... | P. 132 | UTS6JC1210P..... | P. 112 | UTS6JC18X2M3P..... | P. 76 |
| UTS614E15S..... | P. 132 | UTS6JC1210S..... | P. 112 | UTS6JC18X2M3S..... | P. 76 |
| UTS614E18P..... | P. 136 | UTS6JC124P..... | P. 52 | UTS6JC8E2P..... | P. 20 |
| UTS614E18S..... | P. 136 | UTS6JC124PSCR..... | P. 52 | UTS6JC8E2S..... | P. 20 |
| UTS614E19P..... | P. 140 | UTS6JC124S..... | P. 52 | UTS6JC8E33P..... | P. 44 |
| UTS614E19S..... | P. 140 | UTS6JC124SSCR..... | P. 52 | UTS6JC8E33S..... | P. 44 |
| UTS614E5P..... | P. 72 | UTS6JC128P..... | P. 100 | UTS6JC8E3AP..... | P. 40 |
| UTS614E5S..... | P. 72 | UTS6JC128S..... | P. 100 | UTS6JC8E3AS..... | P. 40 |
| UTS61823P..... | P. 144 | UTS6JC12E10P..... | P. 112 | UTS6JC8E3P..... | P. 36 |
| UTS61823S..... | P. 144 | UTS6JC12E10S..... | P. 112 | UTS6JC8E3S..... | P. 36 |
| UTS61832P..... | P. 148 | UTS6JC12E14P..... | P. 128 | UTS6JC8E4P..... | P. 60 |
| UTS61832S..... | P. 148 | UTS6JC12E14S..... | P. 128 | UTS6JC8E4S..... | P. 60 |
| UTS6183G1P..... | P. 56 | UTS6JC12E2P..... | P. 24 | UTS6JC8E98P..... | P. 40 |
| UTS618X2M3P..... | P. 76 | UTS6JC12E2S..... | P. 24 | UTS6JC8E98S..... | P. 40 |
| UTS618X2M3S..... | P. 76 | UTS6JC12E3P..... | P. 48 | UTS7102W2P..... | P. 64 |

| | | | | | |
|---------------------|--------|--------------------|--------|---------------------|--------|
| UTS7102W2S..... | P. 64 | UTS712D4P32..... | P. 52 | UTS714D19S..... | P. 140 |
| UTS7103P..... | P. 28 | UTS712D4S..... | P. 52 | UTS714D19S32..... | P. 140 |
| UTS7103S..... | P. 28 | UTS712D4S32..... | P. 52 | UTS714D5P..... | P. 72 |
| UTS7103W3P..... | P. 80 | UTS712D8P..... | P. 104 | UTS714D5P32..... | P. 72 |
| UTS7103W3S..... | P. 80 | UTS712D8P32..... | P. 104 | UTS714D5S..... | P. 72 |
| UTS7104P..... | P. 68 | UTS712D8S..... | P. 104 | UTS714D5S32..... | P. 72 |
| UTS7104S..... | P. 68 | UTS712D8S32..... | P. 104 | UTS714E12P..... | P. 120 |
| UTS7106P..... | P. 84 | UTS712E10P..... | P. 112 | UTS714E12S..... | P. 120 |
| UTS7106S..... | P. 84 | UTS712E10S..... | P. 112 | UTS714E15P..... | P. 132 |
| UTS710D98P..... | P. 88 | UTS712E14P..... | P. 128 | UTS714E15S..... | P. 125 |
| UTS710D98P32..... | P. 88 | UTS712E14S..... | P. 128 | UTS714E18P..... | P. 136 |
| UTS710D98S..... | P. 88 | UTS712E2P..... | P. 24 | UTS714E18S..... | P. 136 |
| UTS710D98S32..... | P. 88 | UTS712E2S..... | P. 24 | UTS714E19P..... | P. 140 |
| UTS710E6P..... | P. 84 | UTS712E3P..... | P. 48 | UTS714E19S..... | P. 140 |
| UTS710E6S..... | P. 84 | UTS712E3S..... | P. 48 | UTS714E5P..... | P. 72 |
| UTS710E6PMM16..... | P. 84 | UTS712E4P..... | P. 52 | UTS714E5S..... | P. 72 |
| UTS710E6SM16..... | P. 84 | UTS712E4S..... | P. 52 | UTS714E7P..... | P. 92 |
| UTS710E7P..... | P. 96 | UTS712E8P..... | P. 104 | UTS714E7S..... | P. 92 |
| UTS710E7S..... | P. 96 | UTS712E8S..... | P. 104 | UTS71823P..... | P. 144 |
| UTS710E7PMM16..... | P. 96 | UTS71412P..... | P. 116 | UTS71823S..... | P. 144 |
| UTS710E7SM16..... | P. 96 | UTS71412S..... | P. 116 | UTS71832P..... | P. 148 |
| UTS710E98P..... | P. 88 | UTS71419P..... | P. 140 | UTS71832S..... | P. 148 |
| UTS710E98S..... | P. 88 | UTS71419S..... | P. 140 | UTS7183G1SNPT..... | P. 56 |
| UTS71210P..... | P. 112 | UTS7142G1P..... | P. 32 | UTS718LCN..... | P. 152 |
| UTS71210S..... | P. 112 | UTS7142G1S..... | P. 32 | UTS718MPN..... | P. 156 |
| UTS7124P..... | P. 52 | UTS7142G1SNPT..... | P. 32 | UTS718X2M3PNPT..... | P. 76 |
| UTS7124PSCR..... | P. 52 | UTS7147P..... | P. 92 | UTS718X2M3SNPT..... | P. 76 |
| UTS7124S..... | P. 52 | UTS7147PSCR..... | P. 92 | UTS78D2P..... | P. 20 |
| UTS7124SSCR..... | P. 52 | UTS7147PSEK9..... | P. 92 | UTS78D2P32..... | P. 20 |
| UTS7128P..... | P. 100 | UTS7147S..... | P. 92 | UTS78D2S..... | P. 20 |
| UTS7128PM20..... | P. 100 | UTS71492P..... | P. 124 | UTS78D2S32..... | P. 20 |
| UTS7128PM20NUT..... | P. 100 | UTS71492S..... | P. 124 | UTS78D33P..... | P. 44 |
| UTS7128PSEK9..... | P. 100 | UTS7148P..... | P. 108 | UTS78D33P32..... | P. 44 |
| UTS7128S..... | P. 100 | UTS7148S..... | P. 108 | UTS78D33S..... | P. 44 |
| UTS7128SM20..... | P. 100 | UTS7147SSCR..... | P. 92 | UTS78D33S32..... | P. 44 |
| UTS7128SM20NUT..... | P. 100 | UTS714D7P..... | P. 92 | UTS78D3AP..... | P. 40 |
| UTS712D10P..... | P. 112 | UTS714D7P32..... | P. 92 | UTS78D3AP32..... | P. 40 |
| UTS712D10P32..... | P. 112 | UTS714D7S..... | P. 92 | UTS78D3AS..... | P. 40 |
| UTS712D10S..... | P. 112 | UTS714D7S32..... | P. 92 | UTS78D3AS32..... | P. 40 |
| UTS712D10S32..... | P. 112 | UTS714D12P..... | P. 120 | UTS78D3P..... | P. 36 |
| UTS712D14P..... | P. 128 | UTS714D12P32..... | P. 120 | UTS78D3P32..... | P. 36 |
| UTS712D14P32..... | P. 128 | UTS714D12S..... | P. 120 | UTS78D3S..... | P. 36 |
| UTS712D14S..... | P. 128 | UTS714D12S32..... | P. 120 | UTS78D3S32..... | P. 36 |
| UTS712D14S32..... | P. 128 | UTS714D15P..... | P. 132 | UTS78D4P..... | P. 60 |
| UTS712D2P..... | P. 24 | UTS714D15P32..... | P. 132 | UTS78D4P32..... | P. 60 |
| UTS712D2P32..... | P. 24 | UTS714D15S..... | P. 132 | UTS78D4S..... | P. 60 |
| UTS712D2S..... | P. 24 | UTS714D15S32..... | P. 132 | UTS78D4S32..... | P. 60 |
| UTS712D2S32..... | P. 24 | UTS714D18P..... | P. 136 | UTS78D98P..... | P. 40 |
| UTS712D3P..... | P. 48 | UTS714D18P32..... | P. 136 | UTS78D98P32..... | P. 40 |
| UTS712D3P32..... | P. 48 | UTS714D18S..... | P. 136 | UTS78D98S..... | P. 40 |
| UTS712D3S..... | P. 48 | UTS714D18S32..... | P. 136 | UTS78D98S32..... | P. 40 |
| UTS712D3S32..... | P. 48 | UTS714D19P..... | P. 140 | UTS78E2P..... | P. 20 |
| UTS712D4P..... | P. 52 | UTS714D19P32..... | P. 140 | UTS78E2S..... | P. 20 |

Part Number Index (Continued)

| | | | | | |
|-------------------|--------|-------------------------|--------|-------------------------|--------|
| UTS78E33P..... | P. 44 | HAUTS0V10E98SST100..... | P. 88 | HAUTS0V14E15PRA100..... | P. 132 |
| UTS78E33S..... | P. 44 | HAUTS0V1210PRA100..... | P. 112 | HAUTS0V14E15PST100..... | P. 132 |
| UTS78E3AP..... | P. 40 | HAUTS0V1210PST100..... | P. 112 | HAUTS0V14E15SRA100..... | P. 132 |
| UTS78E3AS..... | P. 40 | HAUTS0V1210SRA100..... | P. 112 | HAUTS0V14E15SST100..... | P. 132 |
| UTS78E3P..... | P. 36 | HAUTS0V1210SST100..... | P. 112 | HAUTS0V14E18PRA100..... | P. 136 |
| UTS78E3S..... | P. 36 | HAUTS0V124PRA100..... | P. 52 | HAUTS0V14E18PST100..... | P. 136 |
| UTS78E4P..... | P. 60 | HAUTS0V124PST100..... | P. 52 | HAUTS0V14E18SRA100..... | P. 136 |
| UTS78E4S..... | P. 60 | HAUTS0V124SRA100..... | P. 52 | HAUTS0V14E18SST100..... | P. 136 |
| UTS78E98P..... | P. 40 | HAUTS0V124SST100..... | P. 52 | HAUTS0V14E19PRA100..... | P. 140 |
| UTS78E98S..... | P. 40 | HAUTS0V128PRA100..... | P. 100 | HAUTS0V14E19PST100..... | P. 140 |
| UTS7GJC104P..... | P. 68 | HAUTS0V128PST100..... | P. 100 | HAUTS0V14E19SRA100..... | P. 140 |
| UTS7GJC128P..... | P. 100 | HAUTS0V128SRA100..... | P. 100 | HAUTS0V14E19SST100..... | P. 140 |
| UTS7GJC1412P..... | P. 116 | HAUTS0V128SST100..... | P. 100 | HAUTS0V14E5PRA100..... | P. 72 |
| UTS7GJC147P..... | P. 92 | HAUTS0V12E10PRA100..... | P. 112 | HAUTS0V14E5PST100..... | P. 72 |
| UTS7GJC1492P..... | P. 124 | HAUTS0V12E10PST100..... | P. 112 | HAUTS0V14E5SRA100..... | P. 72 |
| UTS7GN104P..... | P. 68 | HAUTS0V12E10SRA100..... | P. 112 | HAUTS0V14E5SST100..... | P. 72 |
| UTS7GN128P..... | P. 100 | HAUTS0V12E10SST100..... | P. 112 | HAUTS0V14E7PRA100..... | P. 92 |
| UTS7GN1412P..... | P. 116 | HAUTS0V12E14PRA100..... | P. 128 | HAUTS0V14E7PST100..... | P. 92 |
| UTS7GN147P..... | P. 92 | HAUTS0V12E14PST100..... | P. 128 | HAUTS0V14E7SRA100..... | P. 92 |
| UTS7GN1492P..... | P. 124 | HAUTS0V12E14SRA100..... | P. 128 | HAUTS0V14E7SST100..... | P. 92 |
| | | HAUTS0V12E14SST100..... | P. 128 | HAUTS0V1823PRA100..... | P. 144 |
| | | HAUTS0V12E2PRA100..... | P. 24 | HAUTS0V1823PST100..... | P. 144 |
| | | HAUTS0V12E2PST100..... | P. 24 | HAUTS0V1823SRA100..... | P. 144 |
| | | HAUTS0V12E2SRA100..... | P. 24 | HAUTS0V1823SST100..... | P. 144 |
| | | HAUTS0V12E2SST100..... | P. 24 | HAUTS0V1832PRA100..... | P. 148 |
| | | HAUTS0V12E3PRA100..... | P. 48 | HAUTS0V1832PST100..... | P. 148 |
| | | HAUTS0V12E3PST100..... | P. 48 | HAUTS0V1832SRA100..... | P. 148 |
| | | HAUTS0V12E3SRA100..... | P. 48 | HAUTS0V1832SST100..... | P. 148 |
| | | HAUTS0V12E3SST100..... | P. 48 | HAUTS0V8E2PRA100..... | P. 20 |
| | | HAUTS0V12E4PRA100..... | P. 52 | HAUTS0V8E2PST100..... | P. 20 |
| | | HAUTS0V12E4PST100..... | P. 52 | HAUTS0V8E2SRA100..... | P. 20 |
| | | HAUTS0V12E4SRA100..... | P. 52 | HAUTS0V8E2SST100..... | P. 20 |
| | | HAUTS0V12E4SST100..... | P. 52 | HAUTS0V8E33APRA100..... | P. 44 |
| | | HAUTS0V12E8PRA100..... | P. 104 | HAUTS0V8E33APST100..... | P. 44 |
| | | HAUTS0V12E8PST100..... | P. 104 | HAUTS0V8E33ASRA100..... | P. 44 |
| | | HAUTS0V12E8SRA100..... | P. 104 | HAUTS0V8E33ASST100..... | P. 44 |
| | | HAUTS0V12E8SST100..... | P. 104 | HAUTS0V8E3APRA100..... | P. 40 |
| | | HAUTS0V1412PRA100..... | P. 116 | HAUTS0V8E3APST100..... | P. 40 |
| | | HAUTS0V1412PST100..... | P. 116 | HAUTS0V8E3ASRA100..... | P. 40 |
| | | HAUTS0V1412SRA100..... | P. 116 | HAUTS0V8E3ASST100..... | P. 40 |
| | | HAUTS0V1412SST100..... | P. 116 | HAUTS0V8E3PRA100..... | P. 36 |
| | | HAUTS0V1419PRA100..... | P. 140 | HAUTS0V8E3PST100..... | P. 36 |
| | | HAUTS0V1419PST100..... | P. 140 | HAUTS0V8E3SRA100..... | P. 36 |
| | | HAUTS0V1419SRA100..... | P. 140 | HAUTS0V8E3SST100..... | P. 36 |
| | | HAUTS0V1419SST100..... | P. 140 | HAUTS0V8E4PRA100..... | P. 60 |
| | | HAUTS0V147PRA100..... | P. 92 | HAUTS0V8E4PST100..... | P. 60 |
| | | HAUTS0V147PST100..... | P. 92 | HAUTS0V8E4SRA100..... | P. 60 |
| | | HAUTS0V147SRA100..... | P. 92 | HAUTS0V8E4SST100..... | P. 60 |
| | | HAUTS0V147SST100..... | P. 92 | | |
| | | HAUTS0V14E12PRA100..... | P. 120 | | |
| | | HAUTS0V14E12PST100..... | P. 120 | | |
| | | HAUTS0V14E12SRA100..... | P. 120 | | |
| | | HAUTS0V14E12SST100..... | P. 120 | | |

Overmoulded Cable Assemblies

| | | | | | |
|-------------------------|-------|--|--|--|--|
| HAUTS0V102W2PRA100..... | P. 64 | | | | |
| HAUTS0V102W2PST100..... | P. 64 | | | | |
| HAUTS0V102W2SRA100..... | P. 64 | | | | |
| HAUTS0V102W2SST100..... | P. 64 | | | | |
| HAUTS0V103PRA100..... | P. 28 | | | | |
| HAUTS0V103PST100..... | P. 28 | | | | |
| HAUTS0V103SRA100..... | P. 28 | | | | |
| HAUTS0V103SST100..... | P. 28 | | | | |
| HAUTS0V103W3PRA100..... | P. 80 | | | | |
| HAUTS0V103W3PST100..... | P. 80 | | | | |
| HAUTS0V103W3SRA100..... | P. 80 | | | | |
| HAUTS0V103W3SST100..... | P. 80 | | | | |
| HAUTS0V104PRA100..... | P. 68 | | | | |
| HAUTS0V104PST100..... | P. 68 | | | | |
| HAUTS0V104SRA100..... | P. 68 | | | | |
| HAUTS0V104SST100..... | P. 68 | | | | |
| HAUTS0V106PRA100..... | P. 84 | | | | |
| HAUTS0V106PST100..... | P. 84 | | | | |
| HAUTS0V106SRA100..... | P. 84 | | | | |
| HAUTS0V106SST100..... | P. 84 | | | | |
| HAUTS0V10E6PRA100..... | P. 84 | | | | |
| HAUTS0V10E6PST100..... | P. 84 | | | | |
| HAUTS0V10E6SRA100..... | P. 84 | | | | |
| HAUTS0V10E6SST100..... | P. 84 | | | | |
| HAUTS0V10E7PRA100..... | P. 96 | | | | |
| HAUTS0V10E7PST100..... | P. 96 | | | | |
| HAUTS0V10E7SRA100..... | P. 96 | | | | |
| HAUTS0V10E7SST100..... | P. 96 | | | | |
| HAUTS0V10E98PRA100..... | P. 88 | | | | |
| HAUTS0V10E98PST100..... | P. 88 | | | | |
| HAUTS0V10E98SRA100..... | P. 88 | | | | |

Accessories

| | |
|-----------------|--------|
| 85005585A..... | P. 22 |
| 85005586A..... | P. 30 |
| 85005587A..... | P. 26 |
| 85005588A..... | P. 34 |
| 85005590A..... | P. 58 |
| 85005594..... | P. 22 |
| 85005595..... | P. 30 |
| 85005596..... | P. 26 |
| 85005597..... | P. 34 |
| 85005599..... | P. 58 |
| UTS18DCG2..... | P. 154 |
| UTS610CCRG..... | P. 30 |
| UTS610CCRR..... | P. 30 |
| UTS610CCRY..... | P. 30 |
| UTS612CCRG..... | P. 26 |
| UTS612CCRR..... | P. 26 |
| UTS612CCRY..... | P. 26 |
| UTS614CCRG..... | P. 34 |
| UTS614CCRR..... | P. 34 |
| UTS614CCRY..... | P. 34 |
| UTS618CCRG..... | P. 58 |
| UTS618CCRR..... | P. 58 |
| UTS618CCRY..... | P. 58 |
| UTS618DCG2..... | P. 154 |
| UTFD11B..... | P. 22 |
| UTFD12B..... | P. 30 |
| UTFD13B..... | P. 26 |
| UTFD14B..... | P. 34 |
| UTFD16B..... | P. 58 |
| UTS10DCG..... | P. 30 |
| UTS10DCGE..... | P. 74 |
| UTS10DCGR..... | P. 30 |
| UTS12DCG..... | P. 26 |
| UTS12DCGE..... | P. 26 |
| UTS12DCGR..... | P. 26 |
| UTS14DCG..... | P. 34 |
| UTS14DCGE..... | P. 78 |
| UTS14DCGR..... | P. 34 |
| UTS18DCG..... | P. 58 |
| UTS18DCGE..... | P. 146 |
| UTS18DCGR..... | P. 58 |
| UTS610DCG..... | P. 30 |
| UTS612DCG..... | P. 26 |
| UTS614DCG..... | P. 34 |
| UTS618DCG..... | P. 58 |
| UTS68C..... | P. 22 |
| UTS68CCRG..... | P. 22 |
| UTS68CCRR..... | P. 22 |
| UTS68CCRY..... | P. 22 |
| UTS710CCRG..... | P. 30 |
| UTS710CCRR..... | P. 30 |
| UTS710CCRY..... | P. 30 |

| | |
|-----------------|-------|
| UTS712CCRG..... | P. 26 |
| UTS712CCRR..... | P. 26 |
| UTS712CCRY..... | P. 26 |
| UTS714CCRG..... | P. 34 |
| UTS714CCRR..... | P. 34 |
| UTS714CCRY..... | P. 34 |
| UTS718CCRG..... | P. 58 |
| UTS718CCRR..... | P. 58 |
| UTS718CCRY..... | P. 58 |
| UTS78CCRG..... | P. 22 |
| UTS78CCRR..... | P. 22 |
| UTS78CCRY..... | P. 22 |
| UTS8DCGE..... | P. 22 |
| UTS8DCGR..... | P. 22 |

Contacts

| | |
|------------------|--------|
| 82911456A..... | P. 165 |
| 82911456K..... | P. 165 |
| 82911457NA..... | P. 165 |
| 82911457NK..... | P. 165 |
| 82911458A..... | P. 165 |
| 82911458K..... | P. 165 |
| 82911459NA..... | P. 165 |
| 82911459NK..... | P. 165 |
| 82911460A..... | P. 165 |
| 82911460K..... | P. 165 |
| 82911461NA..... | P. 165 |
| 82911461NK..... | P. 165 |
| 82911462A..... | P. 165 |
| 82911462K..... | P. 165 |
| 82911463NA..... | P. 165 |
| 82911463NK..... | P. 165 |
| 82911464A..... | P. 165 |
| 82911464K..... | P. 165 |
| 82911465NA..... | P. 165 |
| 82911465NK..... | P. 165 |
| 82911466A..... | P. 165 |
| 82911466K..... | P. 165 |
| 82911467NA..... | P. 165 |
| 82911467NK..... | P. 165 |
| 82911684NPC..... | P. 168 |
| 82911685NPC..... | P. 168 |
| 82913600A..... | P. 165 |
| 82913601A..... | P. 165 |
| 82913602A..... | P. 165 |
| 82913603A..... | P. 165 |
| 82913604A..... | P. 165 |
| 82913605A..... | P. 165 |
| 82913606A..... | P. 165 |
| 82913607A..... | P. 165 |
| 82913608A..... | P. 165 |
| 82913609A..... | P. 165 |
| RC14M30GE7K..... | P. 166 |

| | |
|------------------|--------|
| RC14M30K..... | P. 165 |
| RC16M23GE7K..... | P. 166 |
| RC16M23K..... | P. 165 |
| RC18W3K..... | P. 165 |
| RC20M12E8K..... | P. 168 |
| RC20M12E83K..... | P. 168 |
| RC20M12E84J..... | P. 168 |
| RC20M12E85K..... | P. 168 |
| RC20M12E86K..... | P. 168 |
| RC20M12E87K..... | P. 168 |
| RC20M12GE7K..... | P. 166 |
| RC20M12K..... | P. 165 |
| RC20M13GE7K..... | P. 166 |
| RC20M13K..... | P. 165 |
| RC20W3K..... | P. 165 |
| RC24M9GE7K..... | P. 166 |
| RC24M9K..... | P. 165 |
| RC24W3K..... | P. 165 |
| RC28M1GE7K..... | P. 166 |
| RC28M1K..... | P. 165 |
| RCDX6015D28..... | P. 201 |
| RCDX6016D28..... | P. 200 |
| RCDX6018D28..... | P. 200 |
| RCDX6019D28..... | P. 201 |
| RCDX6024D28..... | P. 200 |
| RCDX6026D28..... | P. 200 |
| RCDX602D28..... | P. 205 |
| RCDX6031D28..... | P. 201 |
| RCDX6032D28..... | P. 200 |
| RCDX6034D28..... | P. 200 |
| RCDX6036D28..... | P. 200 |
| RCDX6052D28..... | P. 200 |
| RCDXB0553..... | P. 205 |
| RCDXK1D28..... | P. 200 |
| RCPOF1000B..... | P. 171 |
| RCW5016K..... | P. 168 |
| RCW50A7K..... | P. 168 |
| RFD26L1D28..... | P. 196 |
| RM14M30GE1K..... | P. 166 |
| RM14M30K..... | P. 165 |
| RM16M23GE1K..... | P. 166 |
| RM16M23K..... | P. 165 |
| RM18W3K..... | P. 165 |
| M20M12E8K..... | P. 168 |
| RM20M12E83K..... | P. 168 |
| RM20M12E84K..... | P. 168 |
| RM20M12GE1K..... | P. 166 |
| RM20M12K..... | P. 165 |
| RM20M13GE1K..... | P. 166 |
| RM20M13K..... | P. 165 |
| RM20W3K..... | P. 165 |
| RM24M9GE1K..... | P. 166 |
| RM24M9K..... | P. 165 |

Part Number Index (Continued)

| | | | | | |
|-------------------|--------|------------------|--------|----------------|--------|
| RM24W3K..... | P. 165 | SC24ML1TK6..... | P. 165 | RX20D44..... | P. 175 |
| RM28M1GE1K..... | P. 166 | SC24W3S25..... | P. 165 | S16RCM14..... | P. 175 |
| RM28M1K..... | P. 165 | SC24W3TK6..... | P. 165 | S16RCM16..... | P. 175 |
| RMD26L1D28..... | P. 205 | SC24WL3S25..... | P. 165 | S16RCM20..... | P. 175 |
| RMDX6015D28..... | P. 201 | SC24WL3TK6..... | P. 165 | S16SCM20..... | P. 175 |
| RRMDX6018D28..... | P. 200 | SM14M1S18..... | P. 165 | S16SCML1..... | P. 175 |
| RMDX6019D28..... | P. 201 | SM14M1S31..... | P. 165 | S16SCML11..... | P. 175 |
| RMDX6024D28..... | P. 200 | SM14M1TK6..... | P. 165 | S20RCM..... | P. 175 |
| RMDX6026D28..... | P. 200 | SM14ML1S18..... | P. 165 | S20SCM20..... | P. 175 |
| RMDX602D28..... | P. 204 | SM14ML1S31..... | P. 165 | S221..... | P. 204 |
| RMDX6031D28..... | P. 201 | SM14ML1TK6..... | P. 165 | S23D2..... | P. 204 |
| RMDX6032D28..... | P. 200 | SM16M11S18..... | P. 165 | S26D2..... | P. 204 |
| RMDX6034D28..... | P. 200 | SM16M11S31..... | P. 165 | S80..... | P. 203 |
| RMDX6036D28..... | P. 200 | SM16M11TK6..... | P. 165 | S82..... | P. 206 |
| RMDX6050D28..... | P. 200 | SM16M1S18..... | P. 165 | S83..... | P. 203 |
| RMDX6052D28..... | P. 200 | SM16M1S31..... | P. 165 | S87..... | P. 206 |
| RMDXB0553..... | P. 204 | SM16M1TK6..... | P. 165 | S88..... | P. 206 |
| RMDXK10D28..... | P. 200 | SM16ML11S18..... | P. 165 | SHANGLES..... | P. 175 |
| RMP0F1000..... | P. 171 | SM16ML11S31..... | P. 165 | SL105..... | P. 203 |
| RMW5016K..... | P. 168 | SM16ML11TK6..... | P. 165 | SL46D2..... | P. 204 |
| RMW50A7K..... | P. 168 | SM16ML1S18..... | P. 165 | SL471..... | P. 204 |
| SC14M1S18..... | P. 165 | SM16ML1S31..... | P. 165 | UH25..... | P. 175 |
| SC14M1S31..... | P. 165 | SM16ML1TK6..... | P. 165 | VGE10077A..... | P. 175 |
| SC14M1TK6..... | P. 165 | SM20M1S18..... | P. 165 | VGE10078A..... | P. 175 |
| SC14ML1S18..... | P. 165 | SM20M1S31..... | P. 165 | | |
| SC14ML1S31..... | P. 165 | SM20M1TK6..... | P. 165 | | |
| SC14ML1TK6..... | P. 165 | SM20ML1S18..... | P. 165 | | |
| SC16M11S18..... | P. 165 | SM20ML1S31..... | P. 165 | | |
| SC16M11S31..... | P. 165 | SM20ML1TK6..... | P. 165 | | |
| SC16M11TK6..... | P. 165 | SM20W3S26..... | P. 165 | | |
| SC16M1S18..... | P. 165 | SM20W3TK6..... | P. 165 | | |
| SC16M1S31..... | P. 165 | SM20WL3S26..... | P. 165 | | |
| SC16M1TK6..... | P. 165 | SM20WL3TK6..... | P. 165 | | |
| SC16ML11S18..... | P. 165 | SM24M1S18..... | P. 165 | | |
| SC16ML11S31..... | P. 165 | SM24M1S31..... | P. 165 | | |
| SC16ML11TK6..... | P. 165 | SM24M1TK6..... | P. 165 | | |
| SC16ML1S18..... | P. 165 | SM24ML1S18..... | P. 165 | | |
| SC16ML1S31..... | P. 165 | SM24ML1S31..... | P. 165 | | |
| SC16ML1TK6..... | P. 165 | SM24ML1TK6..... | P. 165 | | |
| SC20M1S18..... | P. 165 | SM24W3S26..... | P. 165 | | |
| SC20M1S31..... | P. 165 | SM24W3TK6..... | P. 165 | | |
| SC20M1TK6..... | P. 165 | SM24WL3S26..... | P. 165 | | |
| SC20ML1S18..... | P. 165 | SM24WL3TK6..... | P. 165 | | |
| SC20ML1S31..... | P. 165 | | | | |
| SC20ML1TK6..... | P. 165 | | | | |
| SC20W3S25..... | P. 165 | | | | |
| SC20W3TK6..... | P. 165 | | | | |
| SC20WL3S25..... | P. 165 | | | | |
| SC20WL3TK6..... | P. 165 | | | | |
| SC24M1S18..... | P. 165 | | | | |
| SC24M1S31..... | P. 165 | | | | |
| SC24M1TK6..... | P. 165 | | | | |
| SC24ML1S18..... | P. 165 | | | | |
| SC24ML1S31..... | P. 165 | | | | |
| | | Tooling | | | |
| | | 51060210924..... | P. 175 | | |
| | | 51060210936..... | P. 175 | | |
| | | M10S1J..... | P. 202 | | |
| | | M10SG8..... | P. 203 | | |
| | | M317..... | P. 175 | | |
| | | MH860..... | P. 175 | | |
| | | MH86164G..... | P. 175 | | |
| | | MH86186..... | P. 175 | | |
| | | RX2025GE1..... | P. 175 | | |

Reliable People, Reliable Solutions



Your local contact



Our contribution to environmental protection:
This catalog is printed on PEFC certified paper
Advancement of sustainable wood cultivation. www.pefc.org

SOURIAU

www.souriau-industrial.com
contactindustry@souriau.com





**Стандарт
Электрон
Связь**

Мы молодая и активно развивающаяся компания в области поставок электронных компонентов. Мы поставляем электронные компоненты отечественного и импортного производства напрямую от производителей и с крупнейших складов мира.

Благодаря сотрудничеству с мировыми поставщиками мы осуществляем комплексные и плановые поставки широчайшего спектра электронных компонентов.

Собственная эффективная логистика и склад в обеспечивает надежную поставку продукции в точно указанные сроки по всей России.

Мы осуществляем техническую поддержку нашим клиентам и предпродажную проверку качества продукции. На все поставляемые продукты мы предоставляем гарантию .

Осуществляем поставки продукции под контролем ВП МО РФ на предприятия военно-промышленного комплекса России , а также работаем в рамках 275 ФЗ с открытием отдельных счетов в уполномоченном банке. Система менеджмента качества компании соответствует требованиям ГОСТ ISO 9001.

Минимальные сроки поставки, гибкие цены, неограниченный ассортимент и индивидуальный подход к клиентам являются основой для выстраивания долгосрочного и эффективного сотрудничества с предприятиями радиоэлектронной промышленности, предприятиями ВПК и научно-исследовательскими институтами России.

С нами вы становитесь еще успешнее!

Наши контакты:

Телефон: +7 812 627 14 35

Электронная почта: sales@st-electron.ru

Адрес: 198099, Санкт-Петербург,
Промышленная ул, дом № 19, литера Н,
помещение 100-Н Офис 331