

TimerBlox: Oscillators, One Shots, PWM, Delay, Power on Reset

DESCRIPTION

Demonstration circuit 1562B is an engineering tool to design and evaluate the LTC699X-X family of TimerBlox® circuits. The center section of the board contains a pre-configured TimerBlox function. DC1562B comes in twelve timing function variations as outlined in Table 1.

Surrounding the center board is a playground prototyping area. The prototyping area has pads for DIP-8, S8, MS8, or S6 packages with bread boarding connections to each pin and two convenient power buses and ground bus surrounding the entire area. This area is for conditioning signals to control the timer function and for adding loads controlled in time.

The center part of the board can be detached as a streamlined circuit, to combine with a pre-existing circuit. For application flexibility, a provision is made for buffering and inverting the output of the timer. An optional NC7W04P6X SC70 package dual inverter can be added at U2 to provide this functionality.

Design files for this circuit board are available at <http://www.linear.com/demo>

LT, LT, LTC, LTM, Linear Technology, TimerBlox and the Linear logo are registered trademarks of Linear Technology Corporation. All other trademarks are the property of their respective owners.

USING THE DEMO BOARD

To understand the simplicity and flexibility of the TimerBlox function, download the appropriate data sheet from the LTC website, www.linear.com. Each evaluation board comes with a TimerBlox part, decoupling cap and a bulk decoupling 10 μ F tantalum cap. Resistors are also installed that configure the TimerBlox device so that they are ready to use by simply adding power. Changing the default configuration of the demo board is a simple matter of determining a few new resistor values. Simply select a pair of resistor values for the DIV value from the data sheet DIV table, calculate the value of R_{SET} required, replace the resistor on the board, apply power, and go! Single supply power between 2.25V and 5.5V and ground must be supplied directly to the center board.

The outer prototyping section of the board can be used with single or dual supplies as required. **When using the prototyping area, the outermost trace, which is ground, must be connected (hand wired) to the ground on the center board section.** All input and output holes are sized for 65mil turret terminals, or wires can be soldered in the holes directly.

Changing the timer configuration requires changing resistor values on the center board. The resistor lead holes can accept “pressed-in” DIP sockets, or resistors can be soldered directly in the holes. Pads for 0805 surface mount resistors are also included at each position where a leaded resistor could be used. Pads are also included for three 25-turn trim pots which can be used to replace R_{SET} (R8) for master oscillator frequency adjustment, PSF in (R10) for voltage controlled options, and R_{DEV} (R7) for frequency divider control to permit real-time adjustments while running.

DEMO MANUAL DC1562B

USING THE DEMO BOARD

Table 1. Standard Configuration for Each Version

| DEMO BOARD NUMBER | LTC PART NUMBER | PART MARKING | FUNCTION | CONFIGURED FUNCTION |
|-------------------|-----------------|--------------|----------|---|
| DC1562B-A | LTC6990 | LTDWW | HF OSC | 1kHz to 10kHz Voltage Controlled Oscillator |
| DC1562B-B | LTC6991 | LTDWY | LF OSC | 1Hz (1Sec) Fixed Frequency Oscillator |
| DC1562B-C | LTC6992-1 | LTDXB | PWM | 10kHz 0% to 100% Duty Cycle PWM |
| DC1562B-D | LTC6992-2 | LTDXD | PWM | 10kHz 5% to 95% Duty Cycle PWM |
| DC1562B-E | LTC6992-3 | LTFCQ | PWM | 10kHz 0% to 95% Duty Cycle PWM |
| DC1562B-F | LTC6992-4 | LTFCV | PWM | 10kHz 5% to 100% Duty Cycle PWM |
| DC1562B-G | LTC6993-1 | LTDXG | One-Shot | RET* 100ms Positive Output Pulse |
| DC1562B-H | LTC6993-2 | LTDXJ | One-Shot | RET* Retriggerable 100ms Positive Output Pulse |
| DC1562B-I | LTC6993-3 | LTFMH | One-Shot | FET** Positive 100ms Output Pulse |
| DC1562B-J | LTC6993-4 | LTFMK | One-Shot | FET** Retriggerable 100ms Positive Output Pulse |
| DC1562B-K | LTC6994-1 | LTFCV | Delay | Output Falling Edge Delayed 100ms from Input Falling Edge |
| DC1562B-L | LTC6994-2 | LTFCX | Delay | Output Rise/Fall Edges Delayed 100ms from Input Rise/Fall Edges |
| DC1562B-M | LTC6995-1 | LTGJN | POR | 1sec Power on Reset |
| DC1562B-N | LTC6995-2 | LTGJQ | POR | 1sec Power on Reset |

* Rising Edge Triggered

** Falling Edge Triggered

USING THE DEMO BOARD



Figure 1. DC1562B-X External Connection Diagram

USING THE DEMO BOARD



Figure 2. DC1562B-X Center Board Connection Diagram

DEFAULT CIRCUIT CONFIGURATIONS FOR EACH VERSION



Figure 3. DC1562B-A, 1kHz to 10kHz VCO



Figure 4. DC1562B-B, 1Hz (1Sec Period) Fixed Frequency Oscillator

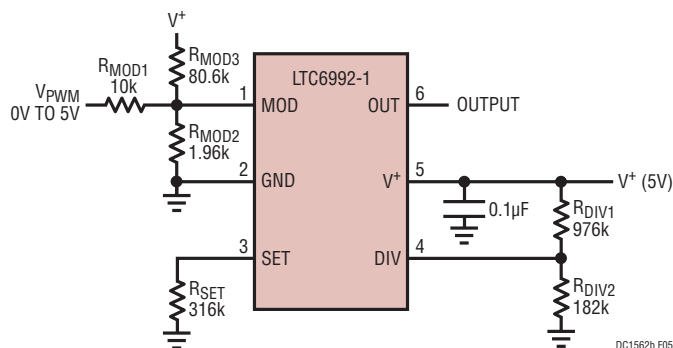


Figure 5. DC1562B-C, 10kHz 0% to 100% Duty Cycle PWM

DEFAULT CIRCUIT CONFIGURATIONS FOR EACH VERSION



Figure 6. DC1562B-D, 10kHz 5% to 95% Duty Cycle PWM



Figure 7. DC1562B-E, 10kHz 0% to 95% Duty Cycle PWM



Figure 8. DC1562B-F, 10kHz 5% to 100% Duty Cycle PWM

DEFAULT CIRCUIT CONFIGURATIONS FOR EACH VERSION

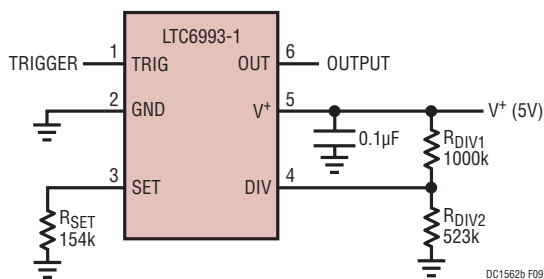


Figure 9. DC1562B-G, Rising Edge Triggered 100ms Positive Output Pulse One-Shot



Figure 10. DC1562B-H, Rising Edge Retriggered 100ms Positive Output Pulse One-Shot



Figure 11. DC1562B-I, Falling Edge Triggered 100ms Positive Output Pulse One-Shot

DEFAULT CIRCUIT CONFIGURATIONS FOR EACH VERSION



Figure 12. DC1562B-J, Falling Edge Retriggerable 100ms Positive Output Pulse One-Shot



Figure 13. DC1562B-K, 100ms Delayed Output Falling Edge from Input Falling Edge



Figure 14. DC1562B-L, 100ms Delayed Output Edge from Input Edge, Both Rising and Falling Edges

DEFAULT CIRCUIT CONFIGURATIONS FOR EACH VERSION



Figure 15. DC1562B-M, 1sec Active Low Power on Reset

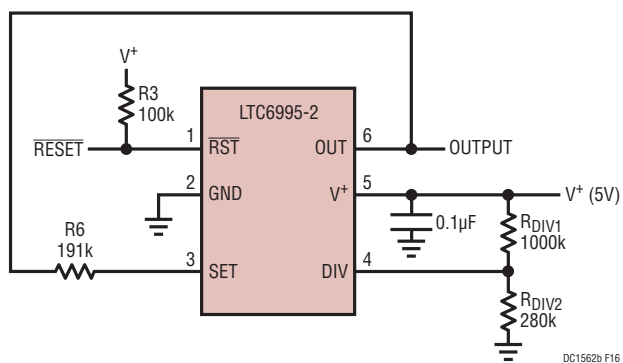


Figure 16. DC1562B-N, 1sec Active Low Power on Reset

DEMO MANUAL DC1562B

PARTS LIST

| ITEM | QTY | REFERENCE | PART DESCRIPTION | MANUFACTURER/PART NUMBER |
|------|-----|--|-----------------------------------|-----------------------------------|
| 1 | 0 | C1 (OPT.) | CAP., 0805 | |
| 2 | 1 | C2 | CAP., CHIP, X7R, 0.1µF, 25V, 0805 | TDK, C2012X7R1H104K |
| 3 | 1 | C3 | Cap., CHIP, X5R, 10µF, 16V, 1206 | TAIYO YUDEN, EMK316BJ106KDT |
| 4 | 24 | E1-E16, E016-E18, E20-E24 | TESTPOINT, TURRET, .064" | MILL-MAX, 2308-2-00-80-00-00-07-0 |
| 5 | 0 | R9-R11 (OPT.) | RES., 0805 | |
| 6 | 0 | R7, R8, R10 (OPT.) | POT., 3266W or 3266Y | |
| 7 | 0 | U2 (OPT.) | IC., NC7WZ04P6X, SC-70 | |
| 8 | 0 | OPTIONAL SOCKETS FOR LEADED COMPONENTS | | MILL MAX, 8427-0-15-01-30-02-04-0 |

DC1562B-A

| | | | | |
|---|---|-----------|-------------------------------|--------------------------|
| 1 | 1 | DC1562B | GENERAL BOM | |
| 2 | 1 | R1 | RES., CHIP, 1M, 1% 0805 | VISHAY, CRCW08051M00FKEA |
| 3 | 1 | R2 | RES., CHIP, 681k, 1% 0805 | VISHAY, CRCW0805681KFKEA |
| 4 | 1 | R3 | RES., CHIP, 100k, 1% 0805 | VISHAY, CRCW0805100KFKEA |
| 5 | 1 | R4 | RES., CHIP, 0Ω, 1% 0805 | VISHAY, CRCW08050000Z0EA |
| 6 | 0 | R5 (OPEN) | RES., 0805 | |
| 7 | 1 | R6 | RES., CHIP, 432k, 1% 0805 | VISHAY, CRCW0805432KFKEA |
| 8 | 1 | RSET | RES., CHIP, 95.3k, 1% 0805 | VISHAY, CRCW080595K3FKEA |
| 9 | 1 | U1 | IC., TimerBlox FAMILY, SOT-23 | LINEAR TECH., LTC6990CS6 |

DC1562B-B

| | | | | |
|---|---|-----------|-------------------------------|--------------------------|
| 1 | 1 | DC1562B | GENERAL BOM | |
| 2 | 1 | R1 | RES., CHIP, 976k, 1% 0805 | VISHAY, CRCW0805976KFKEA |
| 3 | 1 | R2 | RES., CHIP, 182k, 1% 0805 | VISHAY, CRCW0805182KFKEA |
| 4 | 0 | R3 (OPEN) | RES., 0805 | |
| 5 | 1 | R4 | RES., CHIP, 0Ω, 1% 0805 | VISHAY, CRCW08050000Z0EA |
| 6 | 1 | R5 | RES., CHIP, 100k, 1% 0805 | VISHAY, CRCW0805100KFKEA |
| 7 | 0 | R6 (OPEN) | RES., 0805 | |
| 8 | 1 | RSET | RES., CHIP, 768k, 1% 0805 | VISHAY, CRCW0805768KFKEA |
| 9 | 1 | U1 | IC., TimerBlox FAMILY, SOT-23 | LINEAR TECH., LTC6991CS6 |

DC1562B-C

| | | | | |
|---|---|-----------|------------------------------|----------------------------|
| 1 | 1 | DC1562B | GENERAL BOM | |
| 2 | 1 | R1 | RES., CHIP, 976k, 1% 0805 | VISHAY, CRCW0805976KFKEA |
| 3 | 1 | R2 | RES., CHIP, 182k, 1% 0805 | VISHAY, CRCW0805182KFKEA |
| 4 | 1 | R3 | RES., CHIP, 80.6k, 1% 0805 | VISHAY, CRCW080580K6FKEA |
| 5 | 1 | R4 | RES., CHIP, 10k, 1% 0805 | VISHAY, CRCW080510K0FKEA |
| 6 | 1 | R5 | RES., CHIP, 1.96k, 1% 0805 | VISHAY, CRCW08051K96FKEA |
| 7 | 0 | R6 (OPEN) | RES., 0805 | |
| 8 | 1 | RSET | RES., CHIP, 316k, 1% 0805 | VISHAY, CRCW0805316KFKEA |
| 9 | 1 | U1 | IC., TimerBlox FAMILY SOT-23 | LINEAR TECH., LTC6992CS6-1 |

DC1562B-D

| | | | | |
|---|---|-----------|------------------------------|----------------------------|
| 1 | 1 | DC1562B | GENERAL BOM | |
| 2 | 1 | R1 | RES., CHIP, 976k, 1% 0805 | VISHAY, CRCW0805976KFKEA |
| 3 | 1 | R2 | RES., CHIP, 182k, 1% 0805 | VISHAY, CRCW0805182KFKEA |
| 4 | 1 | R3 | RES., CHIP, 51.1k, 1% 0805 | VISHAY, CRCW080551K1FKEA |
| 5 | 1 | R4 | RES., CHIP, 10k, 1% 0805 | VISHAY, CRCW080510K0FKEA |
| 6 | 1 | R5 | RES., CHIP, 1.74k, 1% 0805 | VISHAY, CRCW08051K74FKEA |
| 7 | 0 | R6 (OPEN) | RES., 0805 | |
| 8 | 1 | RSET | RES., CHIP, 316k, 1% 0805 | VISHAY, CRCW0805316KFKEA |
| 9 | 1 | U1 | IC., TimerBlox FAMILY SOT-23 | LINEAR TECH., LTC6992CS6-2 |

PARTS LIST

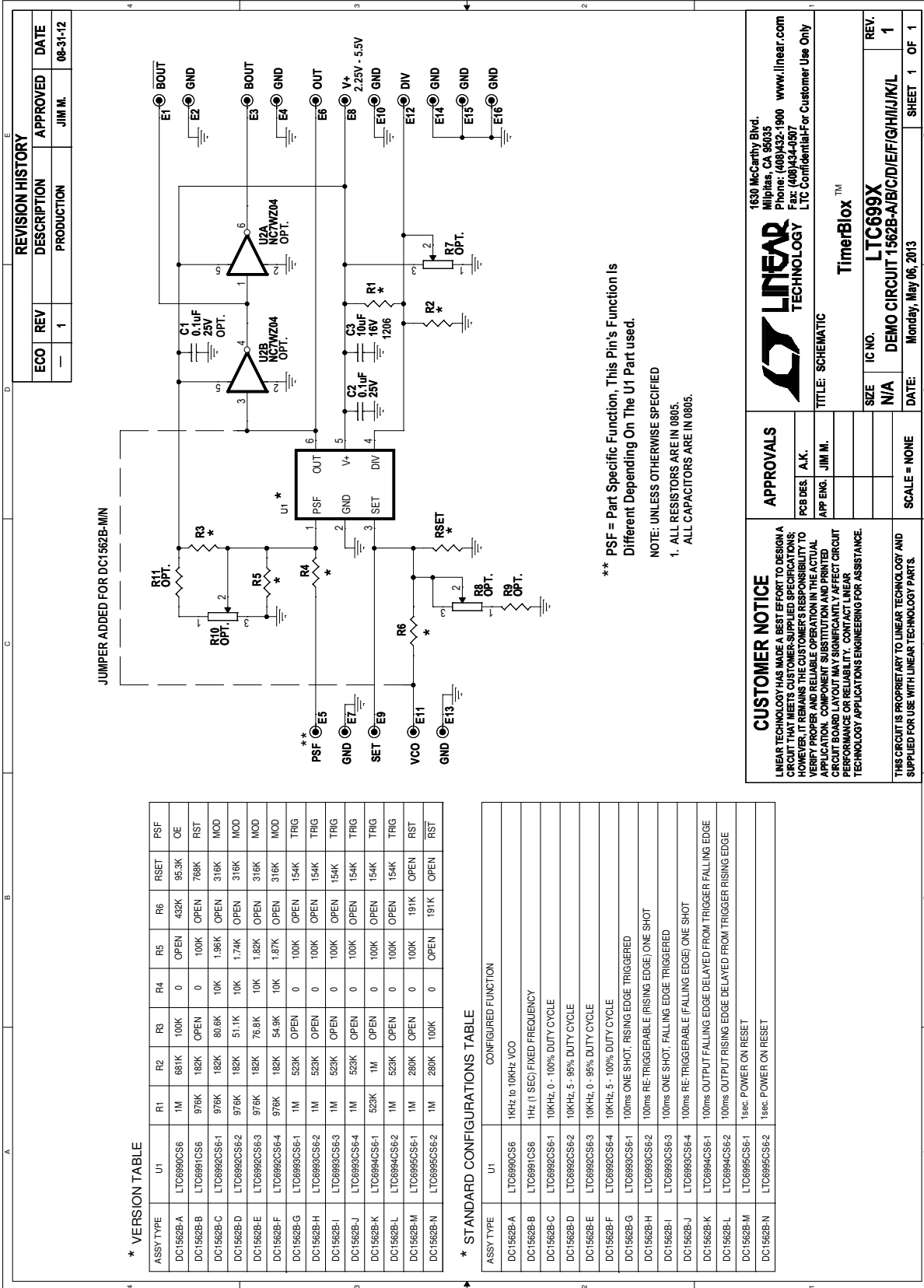
| ITEM | QTY | REFERENCE | PART DESCRIPTION | MANUFACTURER/PART NUMBER |
|------------------|-----|-----------|----------------------------------|----------------------------|
| DC1562B-E | | | | |
| 1 | 1 | DC1562B | GENERAL BOM | |
| 2 | 1 | R1 | RES., CHIP, 976k, 1% 0805 | VISHAY, CRCW0805976KFKEA |
| 3 | 1 | R2 | RES., CHIP, 182k, 1% 0805 | VISHAY, CRCW0805182KFKEA |
| 4 | 1 | R3 | RES., CHIP, 76.8k, 1% 0805 | VISHAY, CRCW080576K8FKEA |
| 5 | 1 | R4 | RES., CHIP, 10k, 1% 0805 | VISHAY, CRCW080510K0FKEA |
| 6 | 1 | R5 | RES., CHIP, 1.82k, 1% 0805 | VISHAY, CRCW08051K82FKEA |
| 7 | 0 | R6 (OPEN) | RES., 0805 | |
| 8 | 1 | RSET | RES., CHIP, 316k, 1% 0805 | VISHAY, CRCW0805316KFKEA |
| 9 | 1 | U1 | IC., TimerBlox FAMILY SOT-23 | LINEAR TECH., LTC6992CS6-3 |
| DC1562B-F | | | | |
| 1 | 1 | DC1562B | GENERAL BOM | |
| 2 | 1 | R1 | RES., CHIP, 976k, 1% 0805 | VISHAY, CRCW0805976KFKEA |
| 3 | 1 | R2 | RES., CHIP, 182k, 1% 0805 | VISHAY, CRCW0805182KFKEA |
| 4 | 1 | R3 | RES., CHIP, 54.9k, 1% 0805 | VISHAY, CRCW080554K9FKEA |
| 5 | 1 | R4 | RES., CHIP, 10k, 1% 0805 | VISHAY, CRCW080510K0FKEA |
| 6 | 1 | R5 | RES., CHIP, 1.87k, 1% 0805 | VISHAY, CRCW08051K87FKEA |
| 7 | 0 | R6 (OPEN) | RES., 0805 | |
| 8 | 1 | RSET | RES., CHIP, 316k, 1% 0805 | VISHAY, CRCW0805316KFKEA |
| 9 | 1 | U1 | IC., TimerBlox FAMILY SOT-23 | LINEAR TECH., LTC6992CS6-4 |
| DC1562B-G | | | | |
| 1 | 1 | DC1562B | GENERAL BOM | |
| 2 | 1 | R1 | RES., CHIP, 1M, 1% 0805 | VISHAY, CRCW08051M00FKEA |
| 3 | 1 | R2 | RES., CHIP, 523k, 1% 0805 | VISHAY, CRCW0805523KFKEA |
| 4 | 0 | R3 (OPEN) | RES., 0805 | |
| 5 | 1 | R4 | RES., CHIP, 0 Ω , 1% 0805 | VISHAY, CRCW08050000Z0EA |
| 6 | 1 | R5 | RES., CHIP, 100k, 1% 0805 | VISHAY, CRCW0805100KFKEA |
| 7 | 0 | R6 (OPEN) | RES., 0805 | |
| 8 | 1 | RSET | RES., CHIP, 154k, 1% 0805 | VISHAY, CRCW0805154KFKEA |
| 9 | 1 | U1 | IC., TimerBlox FAMILY, SOT-23 | LINEAR TECH., LTC6993CS6-1 |
| DC1562B-H | | | | |
| 1 | 1 | DC1562B | GENERAL BOM | |
| 2 | 1 | R1 | RES., CHIP, 1M, 1% 0805 | VISHAY, CRCW08051M00FKEA |
| 3 | 1 | R2 | RES., CHIP, 523k, 1% 0805 | VISHAY, CRCW0805523KFKEA |
| 4 | 0 | R3 (OPEN) | RES., 0805 | |
| 5 | 1 | R4 | RES., CHIP, 0 Ω , 1% 0805 | VISHAY, CRCW08050000Z0EA |
| 6 | 1 | R5 | RES., CHIP, 100k, 1% 0805 | VISHAY, CRCW0805100KFKEA |
| 7 | 0 | R6 (OPEN) | RES., 0805 | |
| 8 | 1 | RSET | RES., CHIP, 154k, 1% 0805 | VISHAY, CRCW0805154KFKEA |
| 9 | 1 | U1 | IC., TimerBlox FAMILY SOT-23 | LINEAR TECH., LTC6993CS6-2 |
| DC1562B-I | | | | |
| 1 | 1 | DC1562B | GENERAL BOM | |
| 2 | 1 | R1 | RES., CHIP, 1M, 1% 0805 | VISHAY, CRCW08051M00FKEA |
| 3 | 1 | R2 | RES., CHIP, 523k, 1% 0805 | VISHAY, CRCW0805523KFKEA |
| 4 | 0 | R3 (OPEN) | RES., 0805 | |
| 5 | 1 | R4 | RES., CHIP, 0 Ω , 1% 0805 | VISHAY, CRCW08050000Z0EA |
| 6 | 1 | R5 | RES., CHIP, 100k, 1% 0805 | VISHAY, CRCW0805100KFKEA |
| 7 | 0 | R6 (OPEN) | RES., 0805 | |
| 8 | 1 | RSET | RES., CHIP, 154k, 1% 0805 | VISHAY, CRCW0805154KFKEA |
| 9 | 1 | U1 | IC., TimerBlox FAMILY SOT-23 | LINEAR TECH., LTC6993CS6-3 |

DEMO MANUAL DC1562B

PARTS LIST

| ITEM | QTY | REFERENCE | PART DESCRIPTION | MANUFACTURER/PART NUMBER |
|------------------|-----|-------------|----------------------------------|----------------------------|
| DC1562B-J | | | | |
| 1 | 1 | DC1562B | GENERAL BOM | |
| 2 | 1 | R1 | RES., CHIP, 1M, 1% 0805 | VISHAY, CRCW08051M00FKEA |
| 3 | 1 | R2 | RES., CHIP, 523k, 1% 0805 | VISHAY, CRCW0805523KFKEA |
| 4 | 0 | R3 (OPEN) | RES., 0805 | |
| 5 | 1 | R4 | RES., CHIP, 0 Ω , 1% 0805 | VISHAY, CRCW08050000Z0EA |
| 6 | 1 | R5 | RES., CHIP, 100k, 1% 0805 | VISHAY, CRCW0805100KFKEA |
| 7 | 0 | R6 (OPEN) | RES., 0805 | |
| 8 | 1 | RSET | RES., CHIP, 154k, 1% 0805 | VISHAY, CRCW0805154KFKEA |
| 9 | 1 | U1 | IC., TimerBlox FAMILY SOT-23 | LINEAR TECH., LTC6993CS6-4 |
| DC1562B-K | | | | |
| 1 | 1 | DC1562B | GENERAL BOM | |
| 3 | 1 | R1 | RES., CHIP, 523k, 1% 0805 | VISHAY, CRCW0805523KFKEA |
| 2 | 1 | R2 | RES., CHIP, 1M, 1% 0805 | VISHAY, CRCW08051M00FKEA |
| 4 | 0 | R3 (OPEN) | RES., 0805 | |
| 5 | 1 | R4 | RES., CHIP, 0 Ω , 1% 0805 | VISHAY, CRCW08050000Z0EA |
| 6 | 1 | R5 | RES., CHIP, 100k, 1% 0805 | VISHAY, CRCW0805100KFKEA |
| 7 | 0 | R6 (OPEN) | RES., 0805 | |
| 8 | 1 | RSET | RES., CHIP, 154K, 1% 0805 | VISHAY, CRCW0805154KFKEA |
| 9 | 1 | U1 | IC., TimerBlox FAMILY SOT-23 | LINEAR TECH., LTC6994CS6-1 |
| DC1562B-L | | | | |
| 1 | 1 | DC1562B | GENERAL BOM | |
| 2 | 1 | R1 | RES., CHIP, 1M, 1% 0805 | VISHAY, CRCW08051M00FKEA |
| 3 | 1 | R2 | RES., CHIP, 523k, 1% 0805 | VISHAY, CRCW0805523KFKEA |
| 4 | 0 | R3 (OPEN) | RES., 0805 | |
| 5 | 1 | R4 | RES., CHIP, 0 Ω , 1% 0805 | VISHAY, CRCW08050000Z0EA |
| 6 | 1 | R5 | RES., CHIP, 100k, 1% 0805 | VISHAY, CRCW0805100KFKEA |
| 7 | 0 | R6 (OPEN) | RES., 0805 | |
| 8 | 1 | RSET | RES., CHIP, 154k, 1% 0805 | VISHAY, CRCW0805154KFKEA |
| 9 | 1 | U1 | IC., TimerBlox FAMILY SOT-23 | LINEAR TECH., LTC6994CS6-2 |
| DC1562B-M | | | | |
| 1 | 1 | DC1562B | GENERAL BOM | |
| 2 | 1 | R1 | RES., CHIP, 1M, 1% 0805 | VISHAY, CRCW08051M00FKEA |
| 3 | 1 | R2 | RES., CHIP, 280k, 1% 0805 | |
| 4 | 0 | R3 (OPEN) | RES., 0805 | |
| 5 | 1 | R4 | RES., CHIP, 0 Ω , 1% 0805 | VISHAY, CRCW08050000Z0EA |
| 6 | 1 | R5 | RES., CHIP, 100k, 1% 0805 | VISHAY, CRCW0805100KFKEA |
| 7 | 1 | R6 | RES., CHIP, 191k, 1% 0805 | |
| 8 | 0 | RSET (OPEN) | RES., 0805 | |
| 9 | 1 | U1 | IC., TimerBlox FAMILY SOT-23 | LINEAR TECH., LTC6995CS6-1 |
| DC1562B-N | | | | |
| 1 | 1 | DC1562B | GENERAL BOM | |
| 2 | 1 | R1 | RES., CHIP, 1M, 1% 0805 | VISHAY, CRCW08051M00FKEA |
| 3 | 1 | R2 | RES., CHIP, 280k, 1% 0805 | |
| 4 | 0 | R3 | RES., CHIP, 100k, 1% 0805 | |
| 5 | 1 | R4 | RES., CHIP, 0 Ω , 1% 0805 | VISHAY, CRCW08050000Z0EA |
| 6 | 1 | R5 (OPEN) | RES., 0805 | |
| 7 | 0 | R6 | RES., CHIP, 191k, 1% 0805 | |
| 8 | 0 | RSET | RES., 0805 | |
| 9 | 1 | U1 | IC., TimerBlox FAMILY SOT-23 | LINEAR TECH., LTC6995CS6-2 |

SCHEMATIC DIAGRAM



DEMO MANUAL DC1562B

DEMONSTRATION BOARD IMPORTANT NOTICE

Linear Technology Corporation (LTC) provides the enclosed product(s) under the following **AS IS** conditions:

This demonstration board (DEMO BOARD) kit being sold or provided by Linear Technology is intended for use for **ENGINEERING DEVELOPMENT OR EVALUATION PURPOSES ONLY** and is not provided by LTC for commercial use. As such, the DEMO BOARD herein may not be complete in terms of required design-, marketing-, and/or manufacturing-related protective considerations, including but not limited to product safety measures typically found in finished commercial goods. As a prototype, this product does not fall within the scope of the European Union directive on electromagnetic compatibility and therefore may or may not meet the technical requirements of the directive, or other regulations.

If this evaluation kit does not meet the specifications recited in the DEMO BOARD manual the kit may be returned within 30 days from the date of delivery for a full refund. **THE FOREGOING WARRANTY IS THE EXCLUSIVE WARRANTY MADE BY THE SELLER TO BUYER AND IS IN LIEU OF ALL OTHER WARRANTIES, EXPRESSED, IMPLIED, OR STATUTORY, INCLUDING ANY WARRANTY OF MERCHANTABILITY OR FITNESS FOR ANY PARTICULAR PURPOSE. EXCEPT TO THE EXTENT OF THIS INDEMNITY, NEITHER PARTY SHALL BE LIABLE TO THE OTHER FOR ANY INDIRECT, SPECIAL, INCIDENTAL, OR CONSEQUENTIAL DAMAGES.**

The user assumes all responsibility and liability for proper and safe handling of the goods. Further, the user releases LTC from all claims arising from the handling or use of the goods. Due to the open construction of the product, it is the user's responsibility to take any and all appropriate precautions with regard to electrostatic discharge. Also be aware that the products herein may not be regulatory compliant or agency certified (FCC, UL, CE, etc.).

No License is granted under any patent right or other intellectual property whatsoever. **LTC assumes no liability for applications assistance, customer product design, software performance, or infringement of patents or any other intellectual property rights of any kind.**

LTC currently services a variety of customers for products around the world, and therefore this transaction **is not exclusive**.

Please read the DEMO BOARD manual prior to handling the product. Persons handling this product must have electronics training and observe good laboratory practice standards. **Common sense is encouraged.**

This notice contains important safety information about temperatures and voltages. For further safety concerns, please contact a LTC application engineer.

Mailing Address:

Linear Technology
1630 McCarthy Blvd.
Milpitas, CA 95035

Copyright © 2004, Linear Technology Corporation



Стандарт Электрон Связь

Мы молодая и активно развивающаяся компания в области поставок электронных компонентов. Мы поставляем электронные компоненты отечественного и импортного производства напрямую от производителей и с крупнейших складов мира.

Благодаря сотрудничеству с мировыми поставщиками мы осуществляем комплексные и плановые поставки широчайшего спектра электронных компонентов.

Собственная эффективная логистика и склад в обеспечивает надежную поставку продукции в точно указанные сроки по всей России.

Мы осуществляем техническую поддержку нашим клиентам и предпродажную проверку качества продукции. На все поставляемые продукты мы предоставляем гарантию .

Осуществляем поставки продукции под контролем ВП МО РФ на предприятия военно-промышленного комплекса России , а также работаем в рамках 275 ФЗ с открытием отдельных счетов в уполномоченном банке. Система менеджмента качества компании соответствует требованиям ГОСТ ISO 9001.

Минимальные сроки поставки, гибкие цены, неограниченный ассортимент и индивидуальный подход к клиентам являются основой для выстраивания долгосрочного и эффективного сотрудничества с предприятиями радиоэлектронной промышленности, предприятиями ВПК и научно-исследовательскими институтами России.

С нами вы становитесь еще успешнее!

Наши контакты:

Телефон: +7 812 627 14 35

Электронная почта: sales@st-electron.ru

Адрес: 198099, Санкт-Петербург,
Промышленная ул, дом № 19, литера Н,
помещение 100-Н Офис 331