

## DRV5023-Q1 Automotive Digital-Switch Hall Effect Sensor

### 1 Features

- Digital Unipolar-Switch Hall Sensor
- AEC-Q100 Qualified for Automotive Applications
  - Grade 1:  $T_A = -40$  to  $125^\circ\text{C}$  (Q, See [Figure 22](#))
  - Grade 0:  $T_A = -40$  to  $150^\circ\text{C}$  (E, See [Figure 22](#))
- Superior Temperature Stability
  - Sensitivity  $\pm 10\%$  Over Temperature
- High Sensitivity Options:
  - $+6.9 / +3.2$  mT (AJ)
  - $+14.5 / +6$  mT (BI)
- Supports a Wide Voltage Range
  - 2.7 to 38 V
  - No External Regulator Required
- Open Drain Output (30-mA Sink)
- Fast 35- $\mu\text{s}$  Power-On Time
- Small Package and Footprint
  - Surface Mount 3-Pin SOT-23 (DBZ)
    - 2.92 mm  $\times$  2.37 mm
  - Through-Hole 3-Pin SIP (LPG)
    - 4.00 mm  $\times$  3.15 mm
- **Protection Features**
  - Reverse Supply Protection (up to  $-22$  V)
  - Supports up to 40-V Load Dump
  - Output Short-Circuit Protection
  - Output Current Limitation
  - OUT Short to Battery Protection

### 2 Applications

- Docking Detection
- Door Open and Close Detection
- Proximity Sensing
- Valve Positioning
- Pulse Counting

### 3 Description

The DRV5023-Q1 device is a chopper-stabilized Hall Effect Sensor that offers a magnetic sensing solution with superior sensitivity stability over temperature and integrated protection features.

When the applied magnetic flux density exceeds the  $B_{OP}$  threshold, the DRV5023-Q1 open drain output goes low. The output stays low until the field decreases to less than  $B_{RP}$ , and then the output goes to high impedance. The output current sink capability is 30 mA. A wide operating voltage range from 2.7 to 38 V with reverse polarity protection up to  $-22$  V makes the device suitable for a wide range of automotive applications.

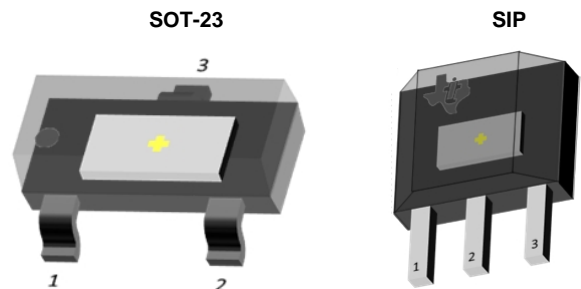
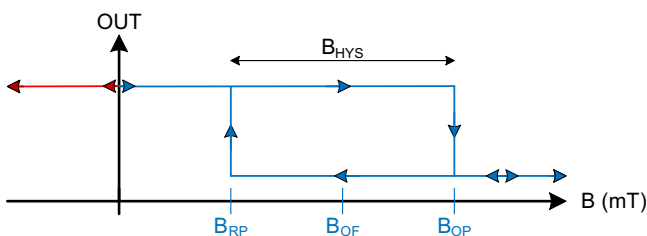
Internal protection functions are provided for reverse supply conditions, load dump, and output short circuit or over current.

Device Information<sup>(1)</sup>

| PART NUMBER | PACKAGE    | BODY SIZE (NOM)          |
|-------------|------------|--------------------------|
| DRV5023-Q1  | SOT-23 (3) | 2.92 mm $\times$ 2.37 mm |
|             | SIP (3)    | 4.00 mm $\times$ 3.15 mm |

(1) For all available packages, see the orderable addendum at the end of the data sheet.

### 4 Output State



## Table of Contents

|  |          |  |           |
|--|----------|--|-----------|
| <b>1 Features</b> .....                        | <b>1</b> | 8.1 Overview .....   | <b>8</b>  |
| <b>2 Applications</b> .....                    | <b>1</b> | 8.2 Functional Block Diagram .....                               | <b>8</b>  |
| <b>3 Description</b> .....                     | <b>1</b> | 8.3 Feature Description .....                                    | <b>9</b>  |
| <b>4 Output State</b> .....                    | <b>1</b> | 8.4 Device Functional Modes .....                                | <b>14</b> |
| <b>5 Revision History</b> .....                | <b>2</b> | <b>9 Application and Implementation</b> .....                    | <b>15</b> |
| <b>6 Pin Configuration and Functions</b> ..... | <b>3</b> | 9.1 Application Information .....                                | <b>15</b> |
| <b>7 Specifications</b> .....                  | <b>4</b> | 9.2 Typical Application .....                                    | <b>15</b> |
| 7.1 Absolute Maximum Ratings .....             | <b>4</b> | <b>10 Power Supply Recommendations</b> .....                     | <b>17</b> |
| 7.2 ESD Ratings .....                          | <b>4</b> | <b>11 Device and Documentation Support</b> .....                 | <b>18</b> |
| 7.3 Recommended Operating Conditions .....     | <b>4</b> | 11.1 Device Support .....  | <b>18</b> |
| 7.4 Thermal Information .....                  | <b>4</b> | 11.2 Community Resources .....                                   | <b>19</b> |
| 7.5 Electrical Characteristics .....           | <b>5</b> | 11.3 Trademarks .....  | <b>19</b> |
| 7.6 Switching Characteristics .....            | <b>5</b> | 11.4 Electrostatic Discharge Caution .....                       | <b>19</b> |
| 7.7 Magnetic Characteristics .....             | <b>5</b> | 11.5 Glossary .....  | <b>19</b> |
| 7.8 Typical Characteristics .....              | <b>6</b> | <b>12 Mechanical, Packaging, and Orderable Information</b> ..... | <b>19</b> |
| <b>8 Detailed Description</b> .....            | <b>8</b> |  |           |

## 5 Revision History

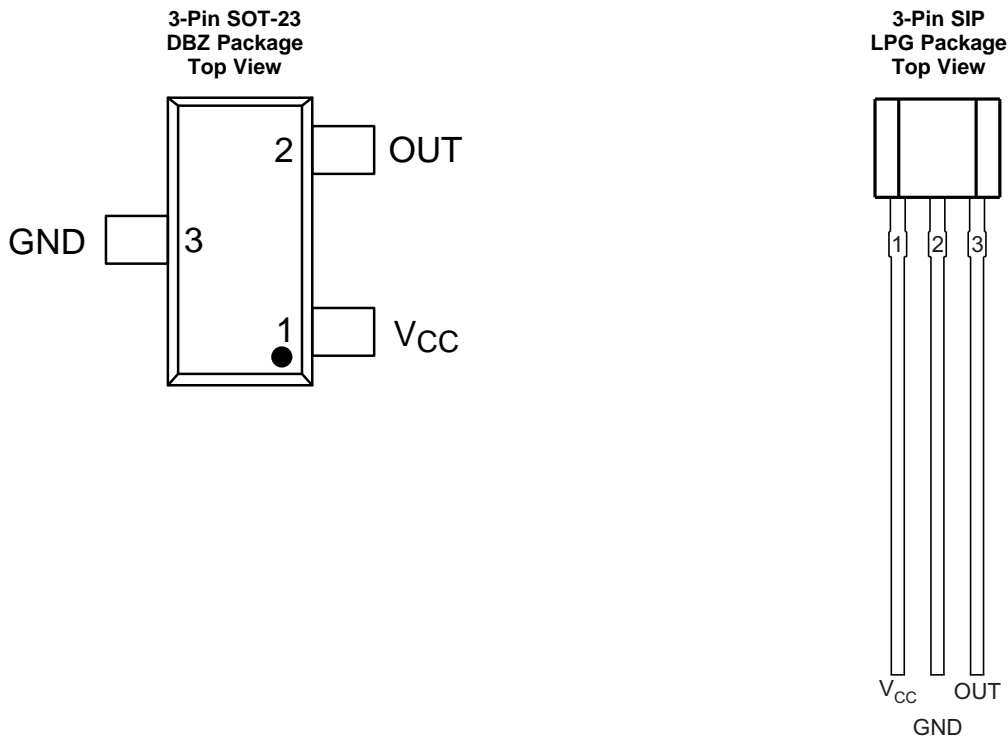
### Changes from Original (December 2014) to Revision A

Page

|  |          |
|--|----------|
| • Updated device status to production data ..... | <b>1</b> |
|--|----------|

## 6 Pin Configuration and Functions

For additional configuration information, see [Device Markings](#) and [Mechanical, Packaging, and Orderable Information](#).



### Pin Functions

| PIN             |     |     | TYPE   | DESCRIPTION   |
|-----------------|-----|-----|--------|---|
| NAME            | DBZ | LPG |        |   |
| GND             | 3   | 2   | GND    | Ground pin  |
| OUT             | 2   | 3   | Output | Hall sensor open-drain output. The open drain requires a resistor pullup.   |
| V <sub>CC</sub> | 1   | 1   | Power  | 2.7 to 38 V power supply. Bypass this terminal to the GND terminal with a 0.01- $\mu$ F (minimum) ceramic capacitor rated for V <sub>CC</sub> . |

## 7 Specifications

### 7.1 Absolute Maximum Ratings

 over operating free-air temperature range (unless otherwise noted)<sup>(1)</sup>

|  |   | MIN                | MAX                | UNIT |
|--|---|--------------------|--------------------|------|
| Power supply voltage                                       | V <sub>CC</sub>   | -22 <sup>(2)</sup> | 40                 | V    |
|  | Voltage ramp rate (V <sub>CC</sub> ), V <sub>CC</sub> < 5 V | Unlimited          |                    | V/μs |
|  | Voltage ramp rate (V <sub>CC</sub> ), V <sub>CC</sub> > 5 V | 0                  | 2                  |      |
| Output pin voltage   | OUT   | -0.5               | 40                 | V    |
| Output pin reverse current during reverse supply condition | OUT   | 0                  | 100                | mA   |
| Operating junction temperature, T <sub>J</sub>             | Q, see <a href="#">Figure 22</a>                            | -40                | 150 <sup>(3)</sup> | °C   |
|  | E, see <a href="#">Figure 22</a>                            | -40                | 175 <sup>(4)</sup> |      |
| T <sub>stg</sub>   | Storage temperature   | -65                | 150                | °C   |

- (1) Stresses beyond those listed under *Absolute Maximum Ratings* may cause permanent damage to the device. These are stress ratings only, which do not imply functional operation of the device at these or any other conditions beyond those indicated under *Recommended Operating Conditions*. Exposure to absolute-maximum-rated conditions for extended periods may affect device reliability.
- (2) Ensured by design. Only tested to -20 V.
- (3) Tested in production to T<sub>A</sub> = 125°C.
- (4) Tested in production to T<sub>A</sub> = 150°C.

### 7.2 ESD Ratings

|                    |                         |  | VALUE | UNIT |
|--------------------|-------------------------|--|-------|------|
| V <sub>(ESD)</sub> | Electrostatic discharge | Human body model (HBM), per ANSI/ESDA/JEDEC JS-001, all pins <sup>(1)</sup>              | ±2500 | V    |
|                    |                         | Charged device model (CDM), per JEDEC specification JESD22-C101, all pins <sup>(2)</sup> | ±500  |      |

- (1) JEDEC document JEP155 states that 500-V HBM allows safe manufacturing with a standard ESD control process.
- (2) JEDEC document JEP157 states that 250-V CDM allows safe manufacturing with a standard ESD control process.

### 7.3 Recommended Operating Conditions

over operating free-air temperature range (unless otherwise noted)

|                   |  |                                  | MIN | MAX | UNIT |
|-------------------|--|----------------------------------|-----|-----|------|
| V <sub>CC</sub>   | Power supply voltage                         |                                  | 2.7 | 38  | V    |
| V <sub>O</sub>    | Output pin voltage (OUT)                     |                                  | 0   | 38  | V    |
| I <sub>SINK</sub> | Output pin current sink (OUT) <sup>(1)</sup> |                                  | 0   | 30  | mA   |
| T <sub>A</sub>    | Operating ambient temperature                | Q, see <a href="#">Figure 22</a> | -40 | 125 | °C   |
|                   |  | E, see <a href="#">Figure 22</a> | -40 | 150 |      |

- (1) Power dissipation and thermal limits must be observed.

### 7.4 Thermal Information

| THERMAL METRIC <sup>(1)</sup> |  | DRV5023-Q1   |           | UNIT |
|-------------------------------|--|--------------|-----------|------|
|                               |  | SOT-23 (DBZ) | SIP (LPG) |      |
|                               |  | 3 PINS       | 3 PINS    |      |
| R <sub>θJA</sub>              | Junction-to-ambient thermal resistance       | 333.2        | 180       | °C/W |
| R <sub>θJC(top)</sub>         | Junction-to-case (top) thermal resistance    | 99.9         | 98.6      | °C/W |
| R <sub>θJB</sub>              | Junction-to-board thermal resistance         | 66.9         | 154.9     | °C/W |
| ψ <sub>JT</sub>               | Junction-to-top characterization parameter   | 4.9          | 40        | °C/W |
| ψ <sub>JB</sub>               | Junction-to-board characterization parameter | 65.2         | 154.9     | °C/W |

- (1) For more information about traditional and new thermal metrics, see the *Semiconductor and IC Package Thermal Metrics* application report, [SPRA953](#).

## 7.5 Electrical Characteristics

over operating free-air temperature range (unless otherwise noted)

| PARAMETER                              |                                   | TEST CONDITIONS  | MIN | TYP | MAX | UNIT |
|--|-----------------------------------|--|-----|-----|-----|------|
| <b>POWER SUPPLIES (V<sub>CC</sub>)</b> |                                   |  |     |     |     |      |
| V <sub>CC</sub>                        | V <sub>CC</sub> operating voltage |  | 2.7 |     | 38  | V    |
| I <sub>CC</sub>                        | Operating supply current          | V <sub>CC</sub> = 2.7 to 38 V, T <sub>A</sub> = 25°C                               |     | 2.7 |     | mA   |
|  |                                   | V <sub>CC</sub> = 2.7 to 38 V, T <sub>A</sub> = T <sub>A, MAX</sub> <sup>(1)</sup> |     | 3   | 3.5 |      |
| t <sub>on</sub>                        | Power-on time                     |  |     | 35  | 50  | µs   |
| <b>OPEN DRAIN OUTPUT (OUT)</b>         |                                   |  |     |     |     |      |
| r <sub>DS(on)</sub>                    | FET on-resistance                 | V <sub>CC</sub> = 3.3 V, I <sub>O</sub> = 10 mA, T <sub>A</sub> = 25°C             |     | 22  |     | Ω    |
|  |                                   | V <sub>CC</sub> = 3.3 V, I <sub>O</sub> = 10 mA, T <sub>A</sub> = 125°C            |     | 36  | 50  |      |
| I <sub>lkg(off)</sub>                  | Off-state leakage current         | Output Hi-Z  |     |     | 1   | µA   |
| <b>PROTECTION CIRCUITS</b>             |                                   |  |     |     |     |      |
| V <sub>CCR</sub>                       | Reverse supply voltage            |  | -22 |     |     | V    |
| I <sub>OCP</sub>                       | Overcurrent protection level      | OUT shorted V <sub>CC</sub>  | 15  | 30  | 45  | mA   |

(1) T<sub>A, MAX</sub> is 125°C for Q Grade 1 devices and 150°C for E Grade 0 devices (see [Figure 22](#))

## 7.6 Switching Characteristics

over operating free-air temperature range (unless otherwise noted)

| PARAMETER                      |                               | TEST CONDITIONS  | MIN | TYP | MAX | UNIT |
|--------------------------------|-------------------------------|--|-----|-----|-----|------|
| <b>OPEN DRAIN OUTPUT (OUT)</b> |                               |  |     |     |     |      |
| t <sub>d</sub>                 | Output delay time             | B = B <sub>RP</sub> – 10 mT to B <sub>OP</sub> + 10 mT in 1 µs |     | 13  | 25  | µs   |
| t <sub>r</sub>                 | Output rise time (10% to 90%) | R1 = 1 kΩ, C <sub>O</sub> = 50 pF, V <sub>CC</sub> = 3.3 V     |     | 200 |     | ns   |
| t <sub>f</sub>                 | Output fall time (90% to 10%) | R1 = 1 kΩ, C <sub>O</sub> = 50 pF, V <sub>CC</sub> = 3.3 V     |     | 31  |     | ns   |

## 7.7 Magnetic Characteristics

over operating free-air temperature range (unless otherwise noted)

| PARAMETER                        |  | TEST CONDITIONS | MIN | TYP  | MAX | UNIT <sup>(1)</sup> |
|----------------------------------|--|-----------------|-----|------|-----|---------------------|
| f <sub>BW</sub>                  | Bandwidth <sup>(2)</sup>   |                 | 20  |      |     | kHz                 |
| <b>DRV5023AJ: +6.9 / +3.2 mT</b> |  |                 |     |      |     |                     |
| B <sub>OP</sub>                  | Operate point (see <a href="#">Figure 12</a> )                                     |                 | 3   | 6.9  | 12  | mT                  |
| B <sub>RP</sub>                  | Release point (see <a href="#">Figure 12</a> )                                     |                 | 1   | 3.2  | 5   | mT                  |
| B <sub>hys</sub>                 | Hysteresis; B <sub>hys</sub> = (B <sub>OP</sub> – B <sub>RP</sub> )                |                 |     | 3.7  |     | mT                  |
| B <sub>O</sub>                   | Magnetic offset, B <sub>O</sub> = (B <sub>OP</sub> + B <sub>RP</sub> ) / 2         |                 |     | 5    |     | mT                  |
| <b>DRV5023BI: +14.5 / +6 mT</b>  |  |                 |     |      |     |                     |
| B <sub>OP</sub>                  | Operate point (see <a href="#">Figure 12</a> )                                     |                 | 6   | 14.5 | 24  | mT                  |
| B <sub>RP</sub>                  | Release point (see <a href="#">Figure 12</a> )                                     |                 | 3   | 6    | 9   | mT                  |
| B <sub>hys</sub>                 | Hysteresis; B <sub>hys</sub> = (B <sub>OP</sub> – B <sub>RP</sub> ) <sup>(3)</sup> |                 |     | 8.5  |     | mT                  |
| B <sub>O</sub>                   | Magnetic offset, B <sub>O</sub> = (B <sub>OP</sub> + B <sub>RP</sub> ) / 2         |                 |     | 10.3 |     | mT                  |

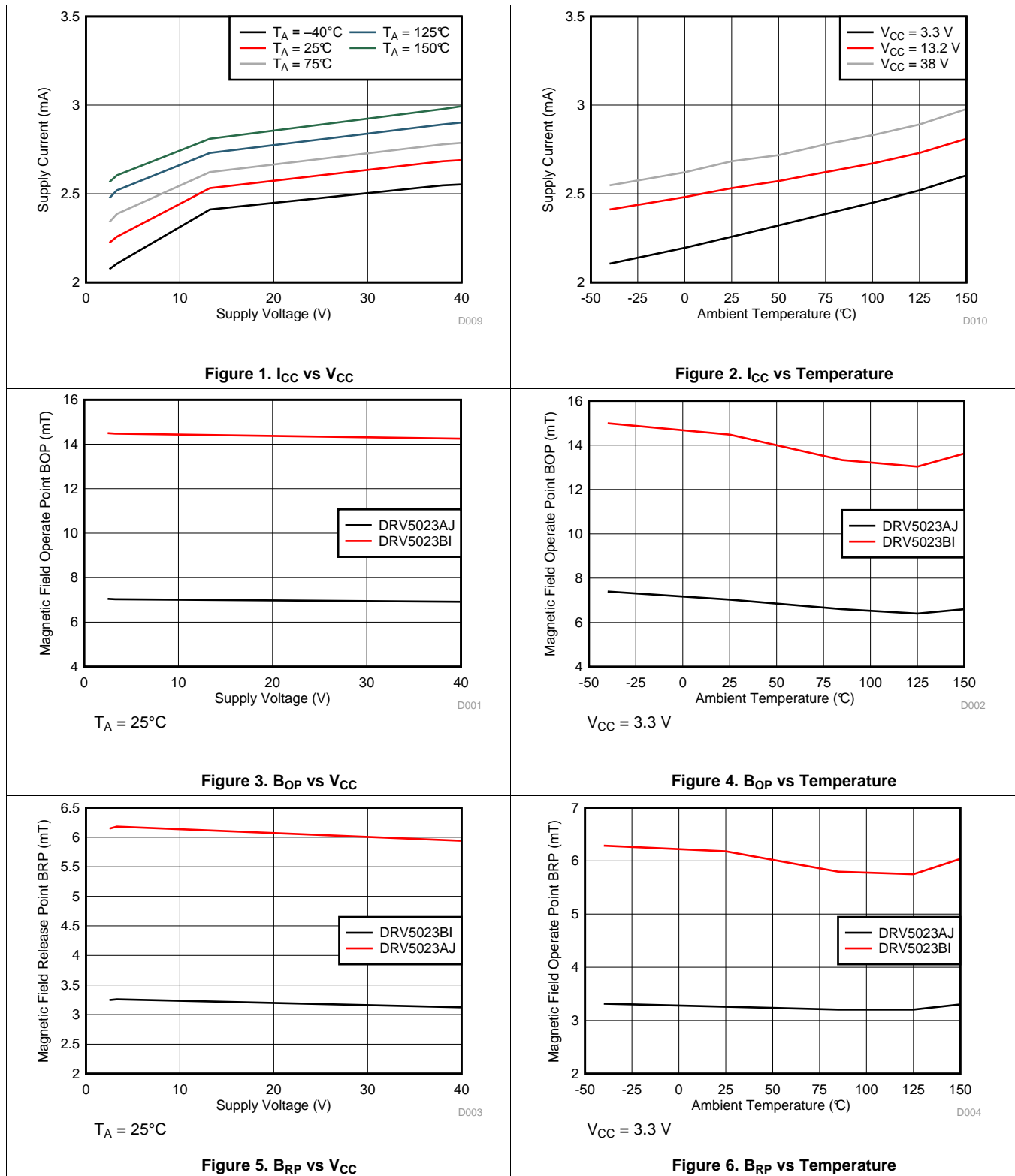
(1) 1 mT = 10 Gauss

(2) Bandwidth describes the fastest changing magnetic field that can be detected and translated to the output.

(3) |B<sub>OP</sub>| is always greater than |B<sub>RP</sub>|.

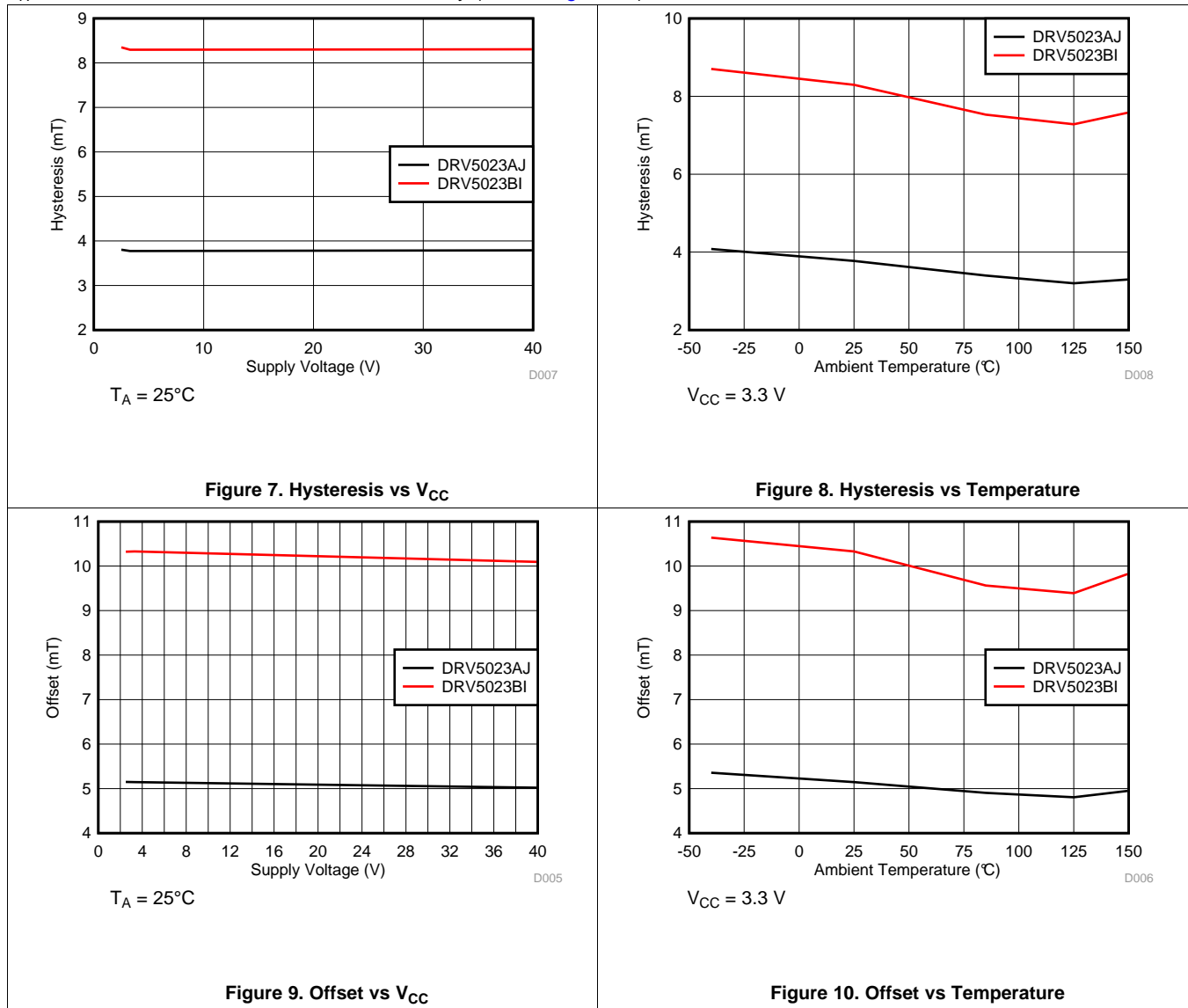
## 7.8 Typical Characteristics

$T_A > 125^\circ\text{C}$  data is valid for Grade 0 devices only (E, see Figure 22)



Typical Characteristics (continued)

$T_A > 125^\circ\text{C}$  data is valid for Grade 0 devices only (E, see Figure 22)



## 8 Detailed Description

### 8.1 Overview

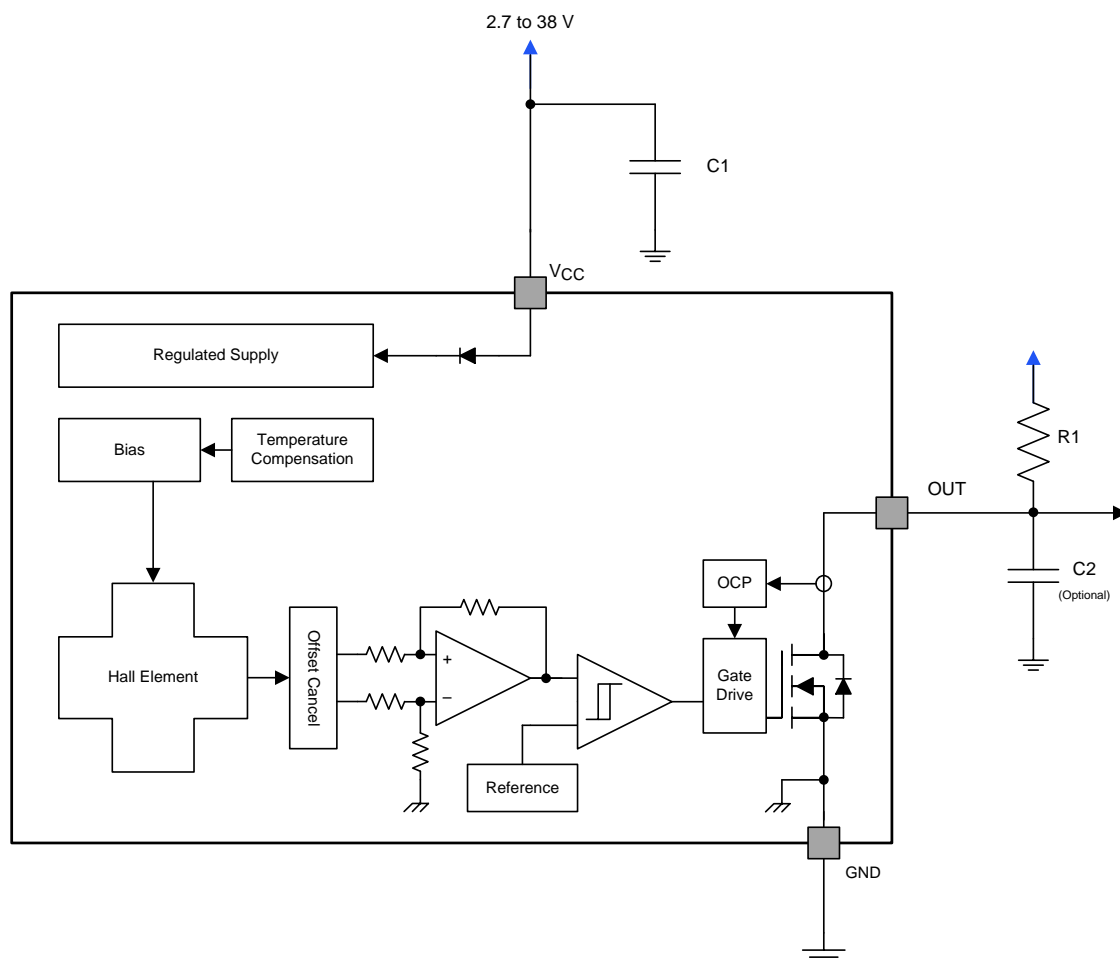
The DRV5023-Q1 device is a chopper-stabilized Hall sensor with a digital latched output for magnetic sensing applications. The DRV5023-Q1 device can be powered with a supply voltage between 2.7 and 38 V, and will survive  $-22$  V reverse-battery conditions. The DRV5023-Q1 device does not operate when  $-22$  to 2.4 V is applied to the  $V_{CC}$  pin (with respect to GND pin). In addition, the device can withstand supply voltages up to 40 V for transient durations.

The field polarity is defined as follows: a **south pole** near the marked side of the package is a positive magnetic field. A **north pole** near the marked side of the package is a negative magnetic field.

The output state is dependent on the magnetic field perpendicular to the package. A strong **south pole** near the marked side of the package causes the output to pull low (operate point, BOP), and a weak **south pole** causes the output to release (release point, BRP). Hysteresis is included in between the operate point and the release point therefore magnetic-field noise does not accidentally trip the output.

An external pullup resistor is required on the OUT pin. The OUT pin can be pulled up to  $V_{CC}$ , or to a different voltage supply. This allows for easier interfacing with controller circuits.

### 8.2 Functional Block Diagram





### 8.3 Feature Description

#### 8.3.1 Field Direction Definition

A positive magnetic field is defined as a **south pole** near the marked side of the package as shown in [Figure 11](#).

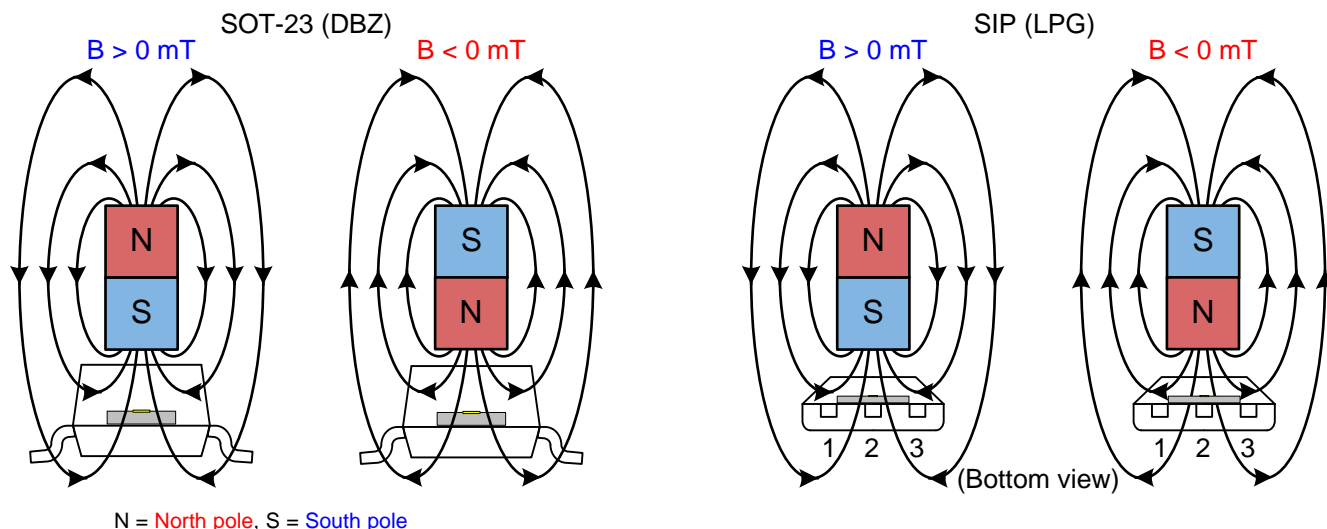


Figure 11. Field Direction Definition

#### 8.3.2 Device Output

If the device is powered on with a magnetic field strength between  $B_{RP}$  and  $B_{OP}$ , then the device output is indeterminate and can either be Hi-Z or Low. If the field strength is greater than  $B_{OP}$ , then the output is pulled low. If the field strength is less than  $B_{RP}$ , then the output is released.

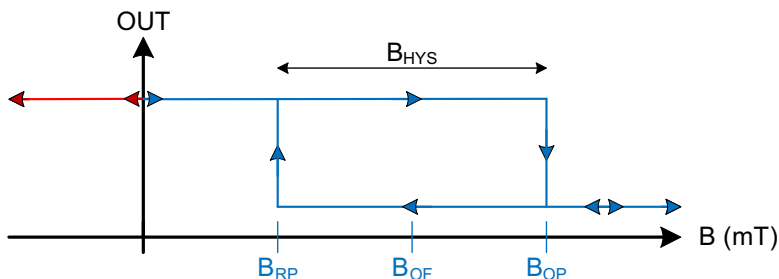
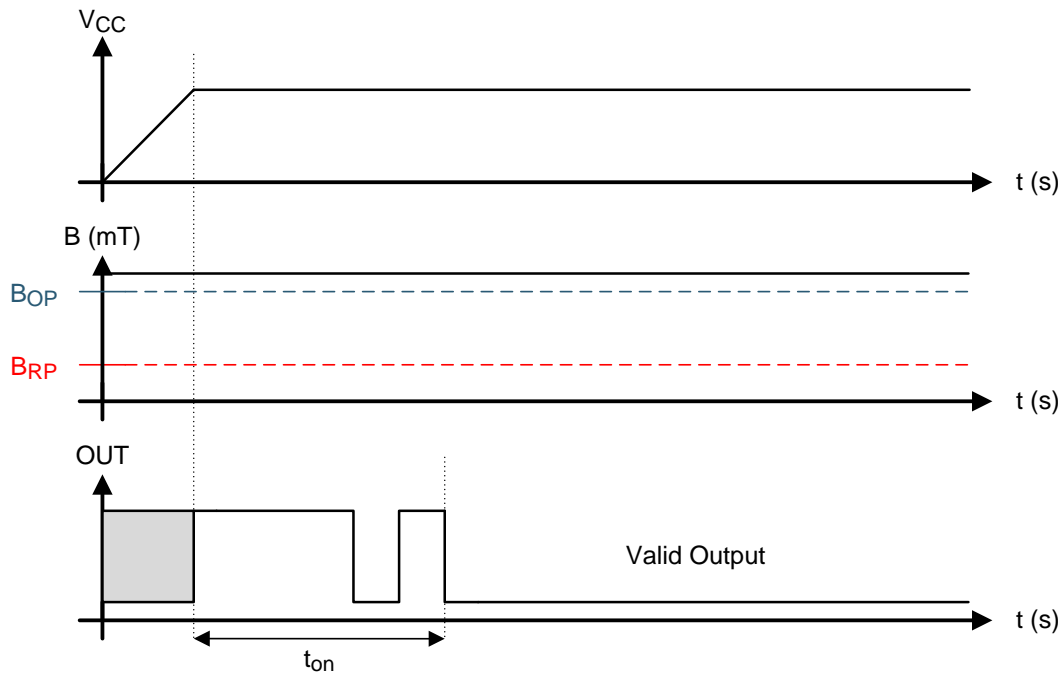


Figure 12. Output State

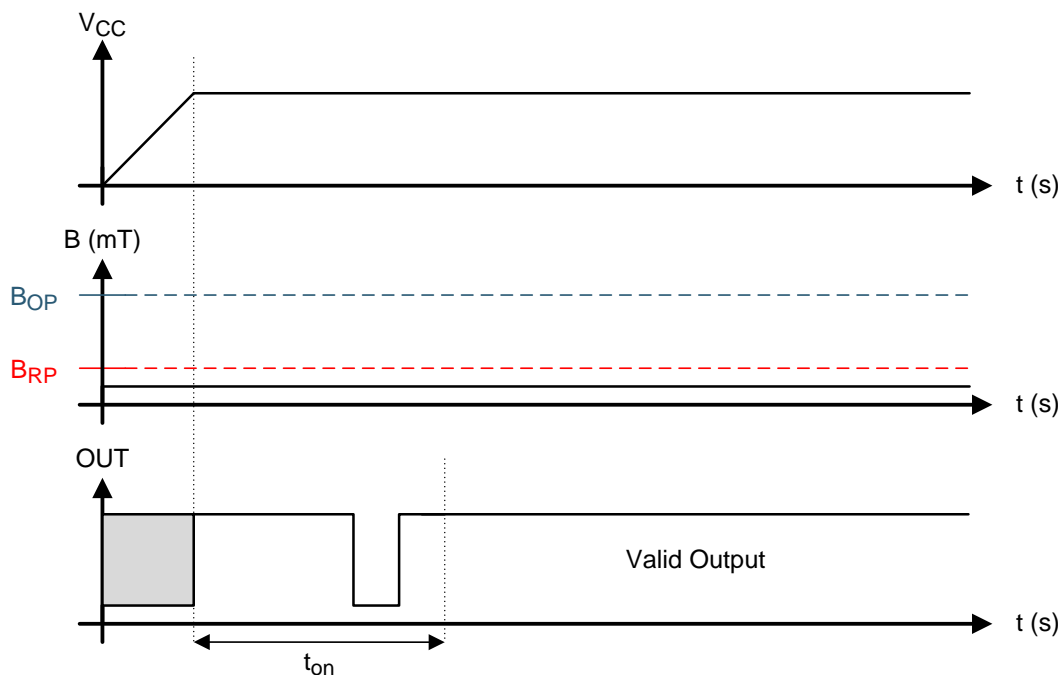
## Feature Description (continued)

### 8.3.3 Power-On Time

After applying  $V_{CC}$  to the DRV5023-Q1 device,  $t_{on}$  must elapse before the OUT pin is valid. During the power-up sequence, the output is Hi-Z. A pulse as shown in Figure 13 and Figure 14 occurs at the end of  $t_{on}$ . This pulse can allow the host processor to determine when the DRV5023-Q1 output is valid after startup. In Case 1 (Figure 13) and Case 2 (Figure 14), the output is defined assuming a constant magnetic field  $B > B_{OP}$  and  $B < B_{RP}$ .



**Figure 13. Case 1: Power On When  $B > B_{OP}$**



**Figure 14. Case 2: Power On When  $B < B_{RP}$**

### Feature Description (continued)

If the device is powered on with the magnetic field strength  $B_{RP} < B < B_{OP}$ , then the device output is indeterminate and can either be Hi-Z or pulled low. During the power-up sequence, the output is held Hi-Z until  $t_{on}$  has elapsed. At the end of  $t_{on}$ , a pulse is given on the OUT pin to indicate that  $t_{on}$  has elapsed. After  $t_{on}$ , if the magnetic field changes such that  $B_{OP} < B$ , the output is released. Case 3 (Figure 15) and Case 4 (Figure 16) show examples of this behavior.

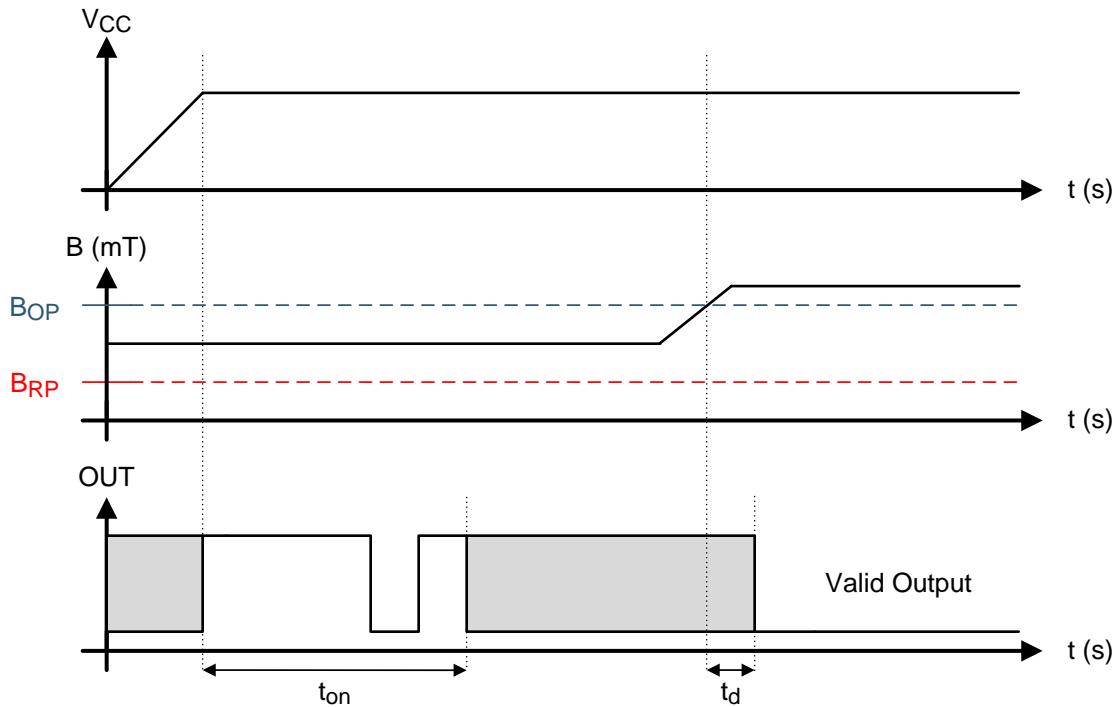
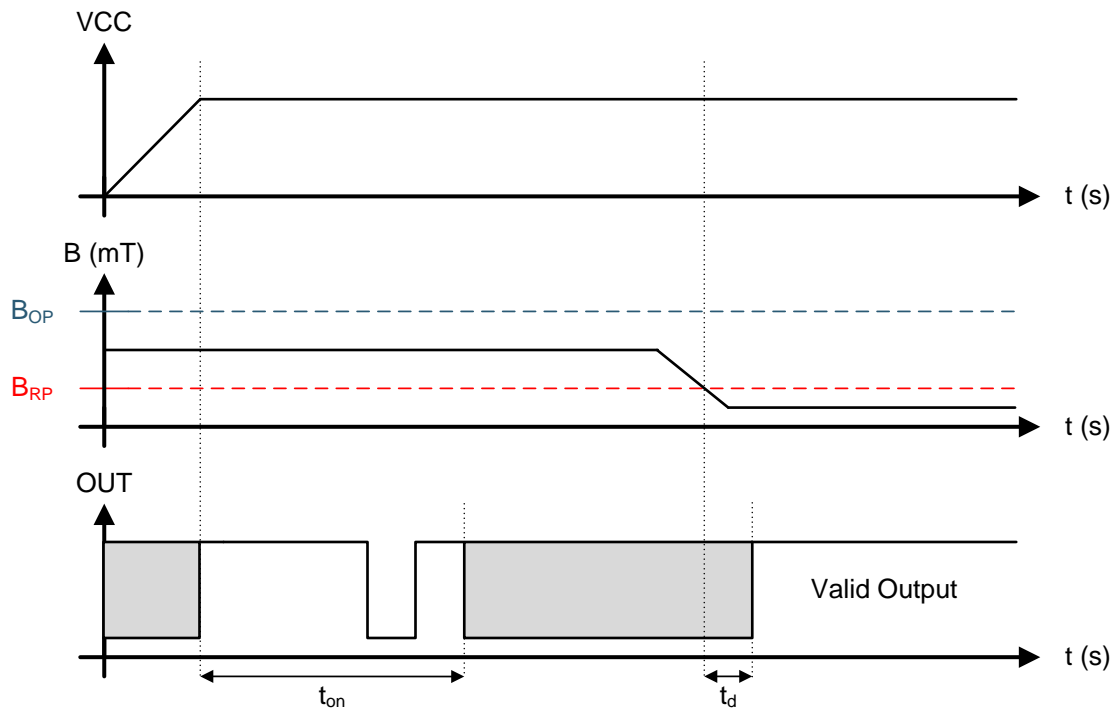


Figure 15. Case 3: Power On When  $B_{RP} < B < B_{OP}$ , Followed by  $B > B_{OP}$

**Feature Description (continued)**



**Figure 16. Case 4: Power On When  $B_{RP} < B < B_{OP}$ , Followed by  $B < B_{RP}$**

## Feature Description (continued)

### 8.3.4 Output Stage

The DRV5023-Q1 output stage uses an open-drain NMOS, and it is rated to sink up to 30 mA of current. For proper operation, calculate the value of the pullup resistor R1 using [Equation 1](#).

$$\frac{V_{\text{ref max}}}{30 \text{ mA}} \leq R1 \leq \frac{V_{\text{ref min}}}{100 \mu\text{A}} \quad (1)$$

The size of R1 is a tradeoff between the OUT rise time and the current when OUT is pulled low. A lower current is generally better, however faster transitions and bandwidth require a smaller resistor for faster switching.

In addition, ensure that the value of R1 > 500 Ω to ensure the output driver can pull the OUT pin close to GND.

#### NOTE

$V_{\text{ref}}$  is not restricted to  $V_{\text{CC}}$ . The allowable voltage range of this pin is specified in the [Absolute Maximum Ratings](#).

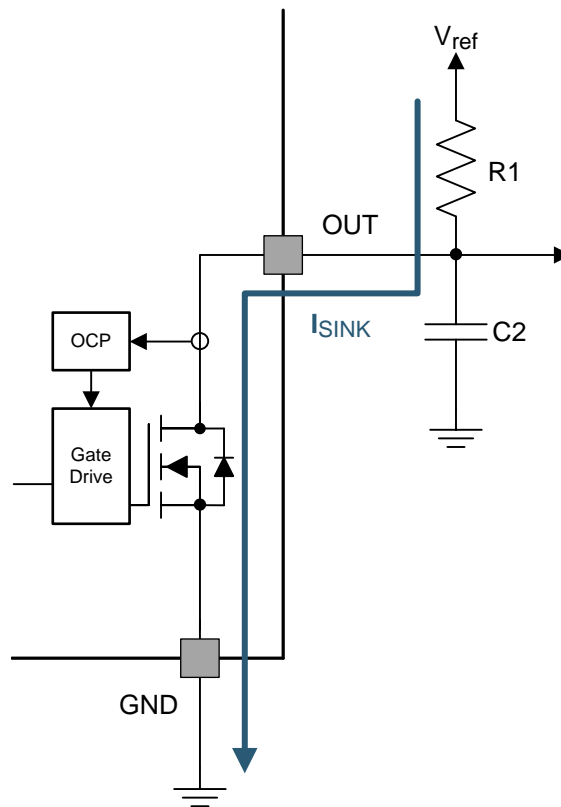


Figure 17.

Select a value for C2 based on the system bandwidth specifications as shown in [Equation 2](#).

$$2 \times f_{\text{BW}} \text{ (Hz)} < \frac{1}{2\pi \times R1 \times C2} \quad (2)$$

Most applications do not require this C2 filtering capacitor.

## Feature Description (continued)

### 8.3.5 Protection Circuits

The DRV5023-Q1 device is fully protected against overcurrent and reverse-supply conditions.

#### 8.3.5.1 Overcurrent Protection (OCP)

An analog current-limit circuit limits the current through the FET. The driver current is clamped to  $I_{OCP}$ . During this clamping, the  $r_{DS(on)}$  of the output FET is increased from the nominal value.

#### 8.3.5.2 Load Dump Protection

The DRV5023-Q1 device operates at DC  $V_{CC}$  conditions up to 38 V nominally, and can additionally withstand  $V_{CC} = 40$  V. No current-limiting series resistor is required for this protection.

#### 8.3.5.3 Reverse Supply Protection

The DRV5023-Q1 device is protected in the event that the  $V_{CC}$  pin and the GND pin are reversed (up to  $-22$  V).

#### NOTE

In a reverse supply condition, the OUT pin reverse-current must not exceed the ratings specified in the [Absolute Maximum Ratings](#).

**Table 1.**

| FAULT              | CONDITION                            | DEVICE    | DESCRIPTION                                  | RECOVERY                   |
|--------------------|--------------------------------------|-----------|--|----------------------------|
| FET overload (OCP) | $I_{SINK} \geq I_{OCP}$              | Operating | Output current is clamped to $I_{OCP}$       | $I_O < I_{OCP}$            |
| Load dump          | $38\text{ V} < V_{CC} < 40\text{ V}$ | Operating | Device will operate for a transient duration | $V_{CC} \leq 38\text{ V}$  |
| Reverse supply     | $-22\text{ V} < V_{CC} < 0\text{ V}$ | Disabled  | Device will survive this condition           | $V_{CC} \geq 2.7\text{ V}$ |

## 8.4 Device Functional Modes

The DRV5023-Q1 device is active only when  $V_{CC}$  is between 2.7 and 38 V.

When a reverse supply condition exists, the device is inactive.

## 9 Application and Implementation

### NOTE

Information in the following applications sections is not part of the TI component specification, and TI does not warrant its accuracy or completeness. TI's customers are responsible for determining suitability of components for their purposes. Customers should validate and test their design implementation to confirm system functionality.

### 9.1 Application Information

The DRV5023-Q1 device is used in magnetic-field sensing applications.

### 9.2 Typical Application

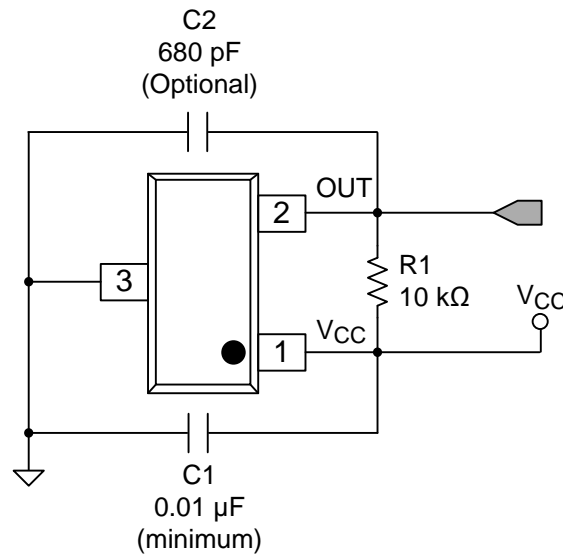


Figure 18. Typical Application Circuit

#### 9.2.1 Design Requirements

For this design example, use the parameters listed in Table 2 as the input parameters.

Table 2. Design Parameters

| DESIGN PARAMETER | REFERENCE | EXAMPLE VALUE |
|------------------|-----------|---------------|
| Supply voltage   | $V_{CC}$  | 3.2 to 3.4 V  |
| System bandwidth | $f_{BW}$  | 10 kHz        |

#### 9.2.2 Detailed Design Procedure

Table 3. External Components

| COMPONENT | PIN 1    | PIN 2              | RECOMMENDED  |
|-----------|----------|--------------------|--|
| C1        | $V_{CC}$ | GND                | A 0.01- $\mu$ F (minimum) ceramic capacitor rated for $V_{CC}$ |
| C2        | OUT      | GND                | <b>Optional:</b> Place a ceramic capacitor to GND              |
| R1        | OUT      | REF <sup>(1)</sup> | Requires a resistor pullup                                     |

(1) REF is not a pin on the DRV5023-Q1 device, but a REF supply-voltage pullup is required for the OUT pin; the OUT pin may be pulled up to  $V_{CC}$ .

### 9.2.2.1 Configuration Example

In a 3.3-V system,  $3.2 \text{ V} \leq V_{\text{ref}} \leq 3.4 \text{ V}$ . Use [Equation 3](#) to calculate the allowable range for R1.

$$\frac{V_{\text{ref max}}}{30 \text{ mA}} \leq R1 \leq \frac{V_{\text{ref min}}}{100 \mu\text{A}} \quad (3)$$

For this design example, use [Equation 4](#) to calculate the allowable range of R1.

$$\frac{3.4 \text{ V}}{30 \text{ mA}} \leq R1 \leq \frac{3.2 \text{ V}}{100 \mu\text{A}} \quad (4)$$

Therefore:

$$113 \Omega \leq R1 \leq 32 \text{ k}\Omega \quad (5)$$

After finding the allowable range of R1 ([Equation 5](#)), select a value between 500  $\Omega$  and 32 k $\Omega$  for R1.

Assuming a system bandwidth of 10 kHz, use [Equation 6](#) to calculate the value of C2.

$$2 \times f_{\text{BW}} (\text{Hz}) < \frac{1}{2\pi \times R1 \times C2} \quad (6)$$

For this design example, use [Equation 7](#) to calculate the value of C2.

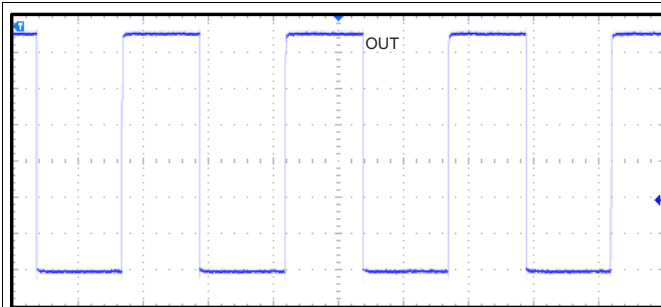
$$2 \times 10 \text{ kHz} < \frac{1}{2\pi \times R1 \times C2} \quad (7)$$

An R1 value of 10 k $\Omega$  and a C2 value less than 820 pF satisfy the requirement for a 10-kHz system bandwidth.

A selection of R1 = 10 k $\Omega$  and C2 = 680 pF would cause a low-pass filter with a corner frequency of 23.4 kHz.

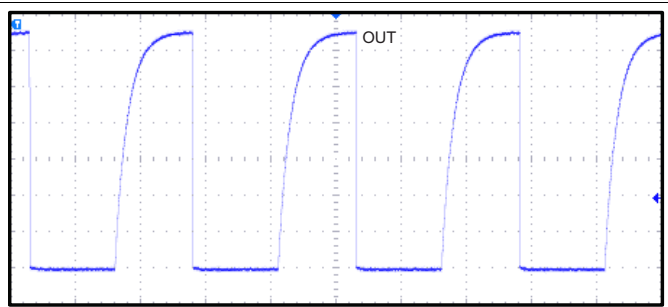


### 9.2.3 Application Curves



R1 = 10-k $\Omega$  pullup No C2

Figure 19. 10-kHz Switching Magnetic Field



R1 = 10-k $\Omega$  pullup C2 = 680 pF

Figure 20. 10-kHz Switching Magnetic Field

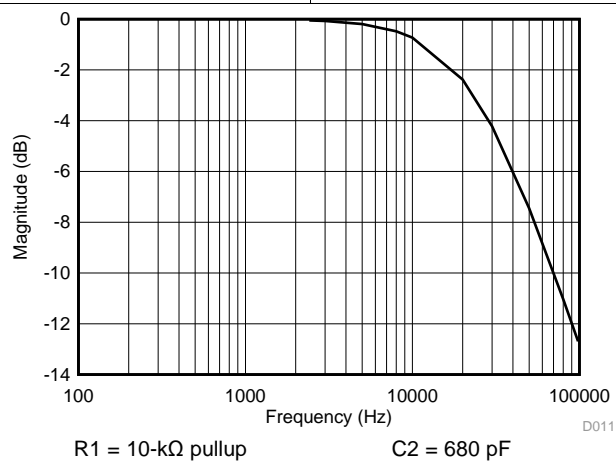


Figure 21. Low-Pass Filtering

## 10 Power Supply Recommendations

The DRV5023-Q1 device is designed to operate from an input voltage supply (VM) range between 2.7 and 38 V. A 0.01- $\mu$ F (minimum) ceramic capacitor rated for  $V_{CC}$  must be placed as close to the DRV5023-Q1 device as possible.

## 11 Device and Documentation Support

### 11.1 Device Support

#### 11.1.1 Device Nomenclature

Figure 22 shows a legend for reading the complete device name for and DRV5023-Q1 device.

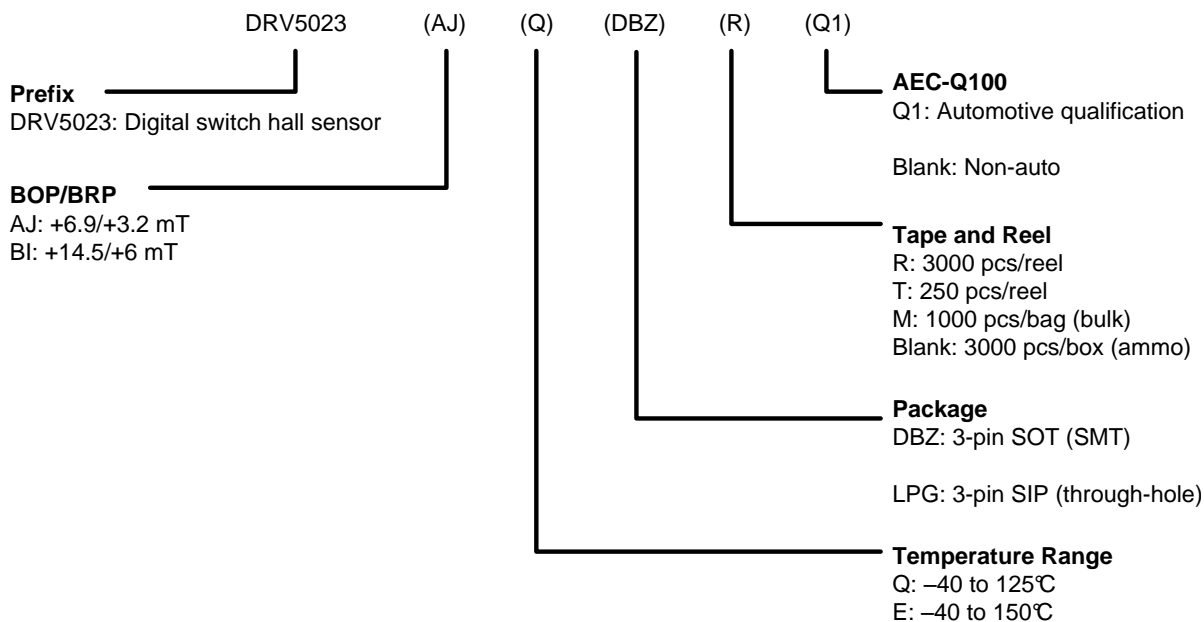


Figure 22. Device Nomenclature

#### 11.1.2 Device Markings

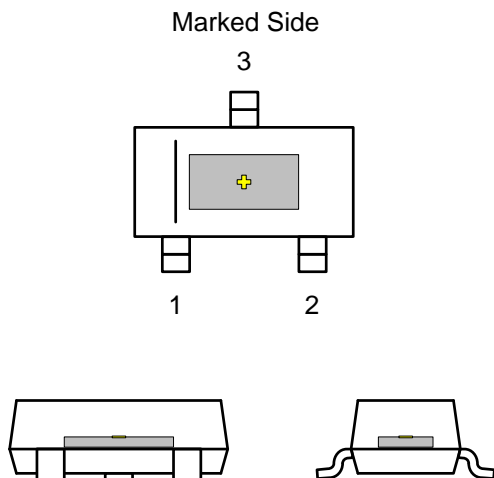


Figure 23. SOT-23 (DBZ) Package

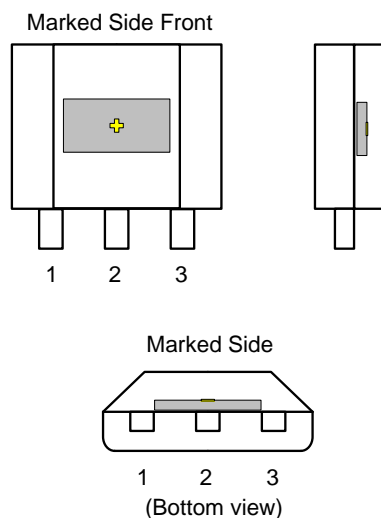


Figure 24. SIP (LPG) Package

⊕ indicates the Hall effect sensor (not to scale). The Hall element is located in the center of the package with a tolerance of  $\pm 100 \mu\text{m}$ . The height of the Hall element from the bottom of the package is  $0.7 \text{ mm} \pm 50 \mu\text{m}$  in the DBZ package and  $0.987 \text{ mm} \pm 50 \mu\text{m}$  in the LPG package.

## 11.2 Community Resources

The following links connect to TI community resources. Linked contents are provided "AS IS" by the respective contributors. They do not constitute TI specifications and do not necessarily reflect TI's views; see TI's [Terms of Use](#).

**TI E2E™ Online Community** *TI's Engineer-to-Engineer (E2E) Community*. Created to foster collaboration among engineers. At [e2e.ti.com](http://e2e.ti.com), you can ask questions, share knowledge, explore ideas and help solve problems with fellow engineers.

**Design Support** *TI's Design Support* Quickly find helpful E2E forums along with design support tools and contact information for technical support.

## 11.3 Trademarks

E2E is a trademark of Texas Instruments.  
All other trademarks are the property of their respective owners.

## 11.4 Electrostatic Discharge Caution



These devices have limited built-in ESD protection. The leads should be shorted together or the device placed in conductive foam during storage or handling to prevent electrostatic damage to the MOS gates.

## 11.5 Glossary

[SLYZ022](#) — *TI Glossary*.

This glossary lists and explains terms, acronyms, and definitions.

## 12 Mechanical, Packaging, and Orderable Information

The following pages include mechanical, packaging, and orderable information. This information is the most current data available for the designated devices. This data is subject to change without notice and revision of this document. For browser-based versions of this data sheet, refer to the left-hand navigation.

**PACKAGING INFORMATION**

| Orderable Device | Status<br>(1) | Package Type | Package Drawing | Pins | Package Qty | Eco Plan<br>(2)         | Lead/Ball Finish<br>(6) | MSL Peak Temp<br>(3) | Op Temp (°C) | Device Marking<br>(4/5) | Samples                 |
|------------------|---------------|--------------|-----------------|------|-------------|-------------------------|-------------------------|----------------------|--------------|-------------------------|-------------------------|
| DRV5023AJEDBZRQ1 | ACTIVE        | SOT-23       | DBZ             | 3    | 3000        | Green (RoHS & no Sb/Br) | CU NIPDAU               | Level-1-260C-UNLIM   | -40 to 150   | +PJAJ                   | <a href="#">Samples</a> |
| DRV5023AJEDBZTQ1 | ACTIVE        | SOT-23       | DBZ             | 3    | 250         | Green (RoHS & no Sb/Br) | CU NIPDAU               | Level-1-260C-UNLIM   | -40 to 150   | +PJAJ                   | <a href="#">Samples</a> |
| DRV5023AJELPGMQ1 | ACTIVE        | TO-92        | LPG             | 3    | 3000        | Green (RoHS & no Sb/Br) | CU SN                   | N / A for Pkg Type   | -40 to 150   | +PJAJ                   | <a href="#">Samples</a> |
| DRV5023AJELPGQ1  | ACTIVE        | TO-92        | LPG             | 3    | 1000        | Green (RoHS & no Sb/Br) | CU SN                   | N / A for Pkg Type   | -40 to 150   | +PJAJ                   | <a href="#">Samples</a> |
| DRV5023AJQDBZRQ1 | ACTIVE        | SOT-23       | DBZ             | 3    | 3000        | Green (RoHS & no Sb/Br) | CU NIPDAU               | Level-1-260C-UNLIM   | -40 to 125   | +PKAJ                   | <a href="#">Samples</a> |
| DRV5023AJQDBZTQ1 | ACTIVE        | SOT-23       | DBZ             | 3    | 250         | Green (RoHS & no Sb/Br) | CU NIPDAU               | Level-1-260C-UNLIM   | -40 to 125   | +PKAJ                   | <a href="#">Samples</a> |
| DRV5023AJQLPGMQ1 | ACTIVE        | TO-92        | LPG             | 3    | 3000        | Green (RoHS & no Sb/Br) | CU SN                   | N / A for Pkg Type   | -40 to 125   | +PKAJ                   | <a href="#">Samples</a> |
| DRV5023AJQLPGQ1  | ACTIVE        | TO-92        | LPG             | 3    | 1000        | Green (RoHS & no Sb/Br) | CU SN                   | N / A for Pkg Type   | -40 to 125   | +PKAJ                   | <a href="#">Samples</a> |
| DRV5023BIEDBZRQ1 | ACTIVE        | SOT-23       | DBZ             | 3    | 3000        | Green (RoHS & no Sb/Br) | CU NIPDAU               | Level-1-260C-UNLIM   | -40 to 150   | +PJBI                   | <a href="#">Samples</a> |
| DRV5023BIEDBZTQ1 | ACTIVE        | SOT-23       | DBZ             | 3    | 250         | Green (RoHS & no Sb/Br) | CU NIPDAU               | Level-1-260C-UNLIM   | -40 to 150   | +PJBI                   | <a href="#">Samples</a> |
| DRV5023BIELPGMQ1 | ACTIVE        | TO-92        | LPG             | 3    | 3000        | Green (RoHS & no Sb/Br) | CU SN                   | N / A for Pkg Type   | -40 to 150   | +PJBI                   | <a href="#">Samples</a> |
| DRV5023BIELPGQ1  | ACTIVE        | TO-92        | LPG             | 3    | 1000        | Green (RoHS & no Sb/Br) | CU SN                   | N / A for Pkg Type   | -40 to 150   | +PJBI                   | <a href="#">Samples</a> |
| DRV5023BIQDBZRQ1 | ACTIVE        | SOT-23       | DBZ             | 3    | 3000        | Green (RoHS & no Sb/Br) | CU NIPDAU               | Level-1-260C-UNLIM   | -40 to 125   | +PKBI                   | <a href="#">Samples</a> |
| DRV5023BIQDBZTQ1 | ACTIVE        | SOT-23       | DBZ             | 3    | 250         | Green (RoHS & no Sb/Br) | CU NIPDAU               | Level-1-260C-UNLIM   | -40 to 125   | +PKBI                   | <a href="#">Samples</a> |
| DRV5023BIQLPGMQ1 | ACTIVE        | TO-92        | LPG             | 3    | 3000        | Green (RoHS & no Sb/Br) | CU SN                   | N / A for Pkg Type   | -40 to 125   | +PKBI                   | <a href="#">Samples</a> |
| DRV5023BIQLPGQ1  | ACTIVE        | TO-92        | LPG             | 3    | 1000        | Green (RoHS & no Sb/Br) | CU SN                   | N / A for Pkg Type   | -40 to 125   | +PKBI                   | <a href="#">Samples</a> |

(1) The marketing status values are defined as follows:  
**ACTIVE:** Product device recommended for new designs.

**LIFEBUY:** TI has announced that the device will be discontinued, and a lifetime-buy period is in effect.

**NRND:** Not recommended for new designs. Device is in production to support existing customers, but TI does not recommend using this part in a new design.

**PREVIEW:** Device has been announced but is not in production. Samples may or may not be available.

**OBSOLETE:** TI has discontinued the production of the device.

<sup>(2)</sup> Eco Plan - The planned eco-friendly classification: Pb-Free (RoHS), Pb-Free (RoHS Exempt), or Green (RoHS & no Sb/Br) - please check <http://www.ti.com/productcontent> for the latest availability information and additional product content details.

**TBD:** The Pb-Free/Green conversion plan has not been defined.

**Pb-Free (RoHS):** TI's terms "Lead-Free" or "Pb-Free" mean semiconductor products that are compatible with the current RoHS requirements for all 6 substances, including the requirement that lead not exceed 0.1% by weight in homogeneous materials. Where designed to be soldered at high temperatures, TI Pb-Free products are suitable for use in specified lead-free processes.

**Pb-Free (RoHS Exempt):** This component has a RoHS exemption for either 1) lead-based flip-chip solder bumps used between the die and package, or 2) lead-based die adhesive used between the die and leadframe. The component is otherwise considered Pb-Free (RoHS compatible) as defined above.

**Green (RoHS & no Sb/Br):** TI defines "Green" to mean Pb-Free (RoHS compatible), and free of Bromine (Br) and Antimony (Sb) based flame retardants (Br or Sb do not exceed 0.1% by weight in homogeneous material)

<sup>(3)</sup> MSL, Peak Temp. - The Moisture Sensitivity Level rating according to the JEDEC industry standard classifications, and peak solder temperature.

<sup>(4)</sup> There may be additional marking, which relates to the logo, the lot trace code information, or the environmental category on the device.

<sup>(5)</sup> Multiple Device Markings will be inside parentheses. Only one Device Marking contained in parentheses and separated by a "~" will appear on a device. If a line is indented then it is a continuation of the previous line and the two combined represent the entire Device Marking for that device.

<sup>(6)</sup> Lead/Ball Finish - Orderable Devices may have multiple material finish options. Finish options are separated by a vertical ruled line. Lead/Ball Finish values may wrap to two lines if the finish value exceeds the maximum column width.

**Important Information and Disclaimer:** The information provided on this page represents TI's knowledge and belief as of the date that it is provided. TI bases its knowledge and belief on information provided by third parties, and makes no representation or warranty as to the accuracy of such information. Efforts are underway to better integrate information from third parties. TI has taken and continues to take reasonable steps to provide representative and accurate information but may not have conducted destructive testing or chemical analysis on incoming materials and chemicals. TI and TI suppliers consider certain information to be proprietary, and thus CAS numbers and other limited information may not be available for release.

In no event shall TI's liability arising out of such information exceed the total purchase price of the TI part(s) at issue in this document sold by TI to Customer on an annual basis.

**OTHER QUALIFIED VERSIONS OF DRV5023-Q1 :**

- Catalog: [DRV5023](#)

NOTE: Qualified Version Definitions:

- Catalog - TI's standard catalog product

**TAPE AND REEL INFORMATION**

**QUADRANT ASSIGNMENTS FOR PIN 1 ORIENTATION IN TAPE**


\*All dimensions are nominal

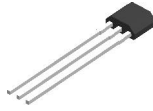
| Device           | Package Type | Package Drawing | Pins | SPQ  | Reel Diameter (mm) | Reel Width W1 (mm) | A0 (mm) | B0 (mm) | K0 (mm) | P1 (mm) | W (mm) | Pin1 Quadrant |
|------------------|--------------|-----------------|------|------|--------------------|--------------------|---------|---------|---------|---------|--------|---------------|
| DRV5023AJEDBZRQ1 | SOT-23       | DBZ             | 3    | 3000 | 180.0              | 8.4                | 3.15    | 2.77    | 1.22    | 4.0     | 8.0    | Q3            |
| DRV5023AJEDBZTQ1 | SOT-23       | DBZ             | 3    | 250  | 180.0              | 8.4                | 3.15    | 2.77    | 1.22    | 4.0     | 8.0    | Q3            |
| DRV5023AJQDBZRQ1 | SOT-23       | DBZ             | 3    | 3000 | 180.0              | 8.4                | 3.15    | 2.77    | 1.22    | 4.0     | 8.0    | Q3            |
| DRV5023AJQDBZTQ1 | SOT-23       | DBZ             | 3    | 250  | 180.0              | 8.4                | 3.15    | 2.77    | 1.22    | 4.0     | 8.0    | Q3            |
| DRV5023BIEDBZRQ1 | SOT-23       | DBZ             | 3    | 3000 | 180.0              | 8.4                | 3.15    | 2.77    | 1.22    | 4.0     | 8.0    | Q3            |
| DRV5023BIEDBZTQ1 | SOT-23       | DBZ             | 3    | 250  | 180.0              | 8.4                | 3.15    | 2.77    | 1.22    | 4.0     | 8.0    | Q3            |
| DRV5023BIQDBZRQ1 | SOT-23       | DBZ             | 3    | 3000 | 180.0              | 8.4                | 3.15    | 2.77    | 1.22    | 4.0     | 8.0    | Q3            |
| DRV5023BIQDBZTQ1 | SOT-23       | DBZ             | 3    | 250  | 180.0              | 8.4                | 3.15    | 2.77    | 1.22    | 4.0     | 8.0    | Q3            |

**TAPE AND REEL BOX DIMENSIONS**


\*All dimensions are nominal

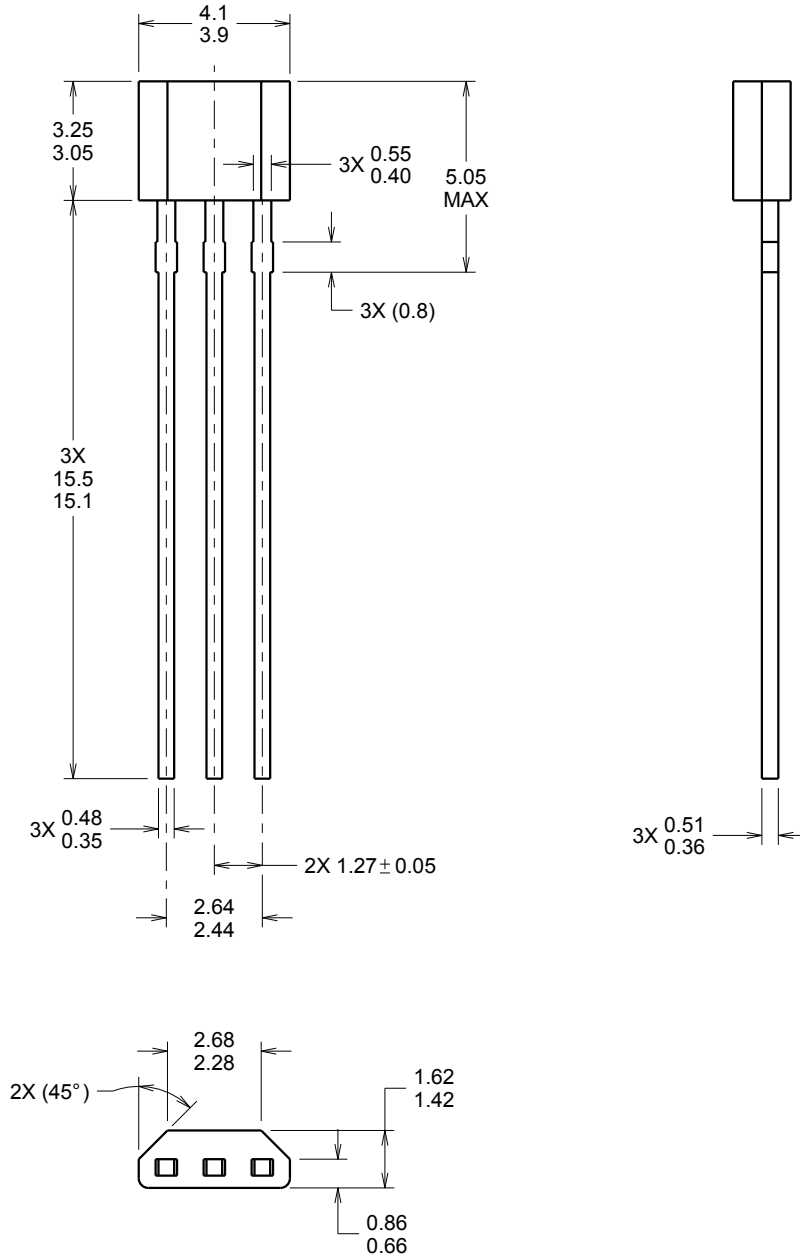
| Device           | Package Type | Package Drawing | Pins | SPQ  | Length (mm) | Width (mm) | Height (mm) |
|------------------|--------------|-----------------|------|------|-------------|------------|-------------|
| DRV5023AJEDBZRQ1 | SOT-23       | DBZ             | 3    | 3000 | 202.0       | 201.0      | 28.0        |
| DRV5023AJEDBZTQ1 | SOT-23       | DBZ             | 3    | 250  | 202.0       | 201.0      | 28.0        |
| DRV5023AJQDBZRQ1 | SOT-23       | DBZ             | 3    | 3000 | 202.0       | 201.0      | 28.0        |
| DRV5023AJQDBZTQ1 | SOT-23       | DBZ             | 3    | 250  | 202.0       | 201.0      | 28.0        |
| DRV5023BIEDBZRQ1 | SOT-23       | DBZ             | 3    | 3000 | 202.0       | 201.0      | 28.0        |
| DRV5023BIEDBZTQ1 | SOT-23       | DBZ             | 3    | 250  | 202.0       | 201.0      | 28.0        |
| DRV5023BIQDBZRQ1 | SOT-23       | DBZ             | 3    | 3000 | 202.0       | 201.0      | 28.0        |
| DRV5023BIQDBZTQ1 | SOT-23       | DBZ             | 3    | 250  | 202.0       | 201.0      | 28.0        |

LPG0003A



**PACKAGE OUTLINE**  
**TO-92 - 5.05 mm max height**

TO-92



4221343/A 02/2014

NOTES:

1. All linear dimensions are in millimeters. Any dimensions in parenthesis are for reference only. Dimensioning and tolerancing per ASME Y14.5M.
2. This drawing is subject to change without notice.





## IMPORTANT NOTICE

Texas Instruments Incorporated and its subsidiaries (TI) reserve the right to make corrections, enhancements, improvements and other changes to its semiconductor products and services per JESD46, latest issue, and to discontinue any product or service per JESD48, latest issue. Buyers should obtain the latest relevant information before placing orders and should verify that such information is current and complete. All semiconductor products (also referred to herein as "components") are sold subject to TI's terms and conditions of sale supplied at the time of order acknowledgment.

TI warrants performance of its components to the specifications applicable at the time of sale, in accordance with the warranty in TI's terms and conditions of sale of semiconductor products. Testing and other quality control techniques are used to the extent TI deems necessary to support this warranty. Except where mandated by applicable law, testing of all parameters of each component is not necessarily performed.

TI assumes no liability for applications assistance or the design of Buyers' products. Buyers are responsible for their products and applications using TI components. To minimize the risks associated with Buyers' products and applications, Buyers should provide adequate design and operating safeguards.

TI does not warrant or represent that any license, either express or implied, is granted under any patent right, copyright, mask work right, or other intellectual property right relating to any combination, machine, or process in which TI components or services are used. Information published by TI regarding third-party products or services does not constitute a license to use such products or services or a warranty or endorsement thereof. Use of such information may require a license from a third party under the patents or other intellectual property of the third party, or a license from TI under the patents or other intellectual property of TI.

Reproduction of significant portions of TI information in TI data books or data sheets is permissible only if reproduction is without alteration and is accompanied by all associated warranties, conditions, limitations, and notices. TI is not responsible or liable for such altered documentation. Information of third parties may be subject to additional restrictions.

Resale of TI components or services with statements different from or beyond the parameters stated by TI for that component or service voids all express and any implied warranties for the associated TI component or service and is an unfair and deceptive business practice. TI is not responsible or liable for any such statements.

Buyer acknowledges and agrees that it is solely responsible for compliance with all legal, regulatory and safety-related requirements concerning its products, and any use of TI components in its applications, notwithstanding any applications-related information or support that may be provided by TI. Buyer represents and agrees that it has all the necessary expertise to create and implement safeguards which anticipate dangerous consequences of failures, monitor failures and their consequences, lessen the likelihood of failures that might cause harm and take appropriate remedial actions. Buyer will fully indemnify TI and its representatives against any damages arising out of the use of any TI components in safety-critical applications.

In some cases, TI components may be promoted specifically to facilitate safety-related applications. With such components, TI's goal is to help enable customers to design and create their own end-product solutions that meet applicable functional safety standards and requirements. Nonetheless, such components are subject to these terms.

No TI components are authorized for use in FDA Class III (or similar life-critical medical equipment) unless authorized officers of the parties have executed a special agreement specifically governing such use.

Only those TI components which TI has specifically designated as military grade or "enhanced plastic" are designed and intended for use in military/aerospace applications or environments. Buyer acknowledges and agrees that any military or aerospace use of TI components which have **not** been so designated is solely at the Buyer's risk, and that Buyer is solely responsible for compliance with all legal and regulatory requirements in connection with such use.

TI has specifically designated certain components as meeting ISO/TS16949 requirements, mainly for automotive use. In any case of use of non-designated products, TI will not be responsible for any failure to meet ISO/TS16949.

### Products

|                              |  |
|------------------------------|--|
| Audio                        | <a href="http://www.ti.com/audio">www.ti.com/audio</a>                               |
| Amplifiers                   | <a href="http://amplifier.ti.com">amplifier.ti.com</a>                               |
| Data Converters              | <a href="http://dataconverter.ti.com">dataconverter.ti.com</a>                       |
| DLP® Products                | <a href="http://www.dlp.com">www.dlp.com</a>   |
| DSP                          | <a href="http://dsp.ti.com">dsp.ti.com</a>   |
| Clocks and Timers            | <a href="http://www.ti.com/clocks">www.ti.com/clocks</a>                             |
| Interface                    | <a href="http://interface.ti.com">interface.ti.com</a>                               |
| Logic                        | <a href="http://logic.ti.com">logic.ti.com</a>                                       |
| Power Mgmt                   | <a href="http://power.ti.com">power.ti.com</a>                                       |
| Microcontrollers             | <a href="http://microcontroller.ti.com">microcontroller.ti.com</a>                   |
| RFID                         | <a href="http://www.ti-rfid.com">www.ti-rfid.com</a>                                 |
| OMAP Applications Processors | <a href="http://www.ti.com/omap">www.ti.com/omap</a>                                 |
| Wireless Connectivity        | <a href="http://www.ti.com/wirelessconnectivity">www.ti.com/wirelessconnectivity</a> |

### Applications

|                               |  |
|-------------------------------|--|
| Automotive and Transportation | <a href="http://www.ti.com/automotive">www.ti.com/automotive</a>                         |
| Communications and Telecom    | <a href="http://www.ti.com/communications">www.ti.com/communications</a>                 |
| Computers and Peripherals     | <a href="http://www.ti.com/computers">www.ti.com/computers</a>                           |
| Consumer Electronics          | <a href="http://www.ti.com/consumer-apps">www.ti.com/consumer-apps</a>                   |
| Energy and Lighting           | <a href="http://www.ti.com/energy">www.ti.com/energy</a>                                 |
| Industrial                    | <a href="http://www.ti.com/industrial">www.ti.com/industrial</a>                         |
| Medical                       | <a href="http://www.ti.com/medical">www.ti.com/medical</a>                               |
| Security                      | <a href="http://www.ti.com/security">www.ti.com/security</a>                             |
| Space, Avionics and Defense   | <a href="http://www.ti.com/space-avionics-defense">www.ti.com/space-avionics-defense</a> |
| Video and Imaging             | <a href="http://www.ti.com/video">www.ti.com/video</a>                                   |

### TI E2E Community

[e2e.ti.com](http://e2e.ti.com)



**Стандарт  
Электрон  
Связь**

Мы молодая и активно развивающаяся компания в области поставок электронных компонентов. Мы поставляем электронные компоненты отечественного и импортного производства напрямую от производителей и с крупнейших складов мира.

Благодаря сотрудничеству с мировыми поставщиками мы осуществляем комплексные и плановые поставки широчайшего спектра электронных компонентов.

Собственная эффективная логистика и склад в обеспечивает надежную поставку продукции в точно указанные сроки по всей России.

Мы осуществляем техническую поддержку нашим клиентам и предпродажную проверку качества продукции. На все поставляемые продукты мы предоставляем гарантию .

Осуществляем поставки продукции под контролем ВП МО РФ на предприятия военно-промышленного комплекса России , а также работаем в рамках 275 ФЗ с открытием отдельных счетов в уполномоченном банке. Система менеджмента качества компании соответствует требованиям ГОСТ ISO 9001.

Минимальные сроки поставки, гибкие цены, неограниченный ассортимент и индивидуальный подход к клиентам являются основой для выстраивания долгосрочного и эффективного сотрудничества с предприятиями радиоэлектронной промышленности, предприятиями ВПК и научно-исследовательскими институтами России.

С нами вы становитесь еще успешнее!

**Наши контакты:**

**Телефон:** +7 812 627 14 35

**Электронная почта:** [sales@st-electron.ru](mailto:sales@st-electron.ru)

**Адрес:** 198099, Санкт-Петербург,  
Промышленная ул, дом № 19, литера Н,  
помещение 100-Н Офис 331