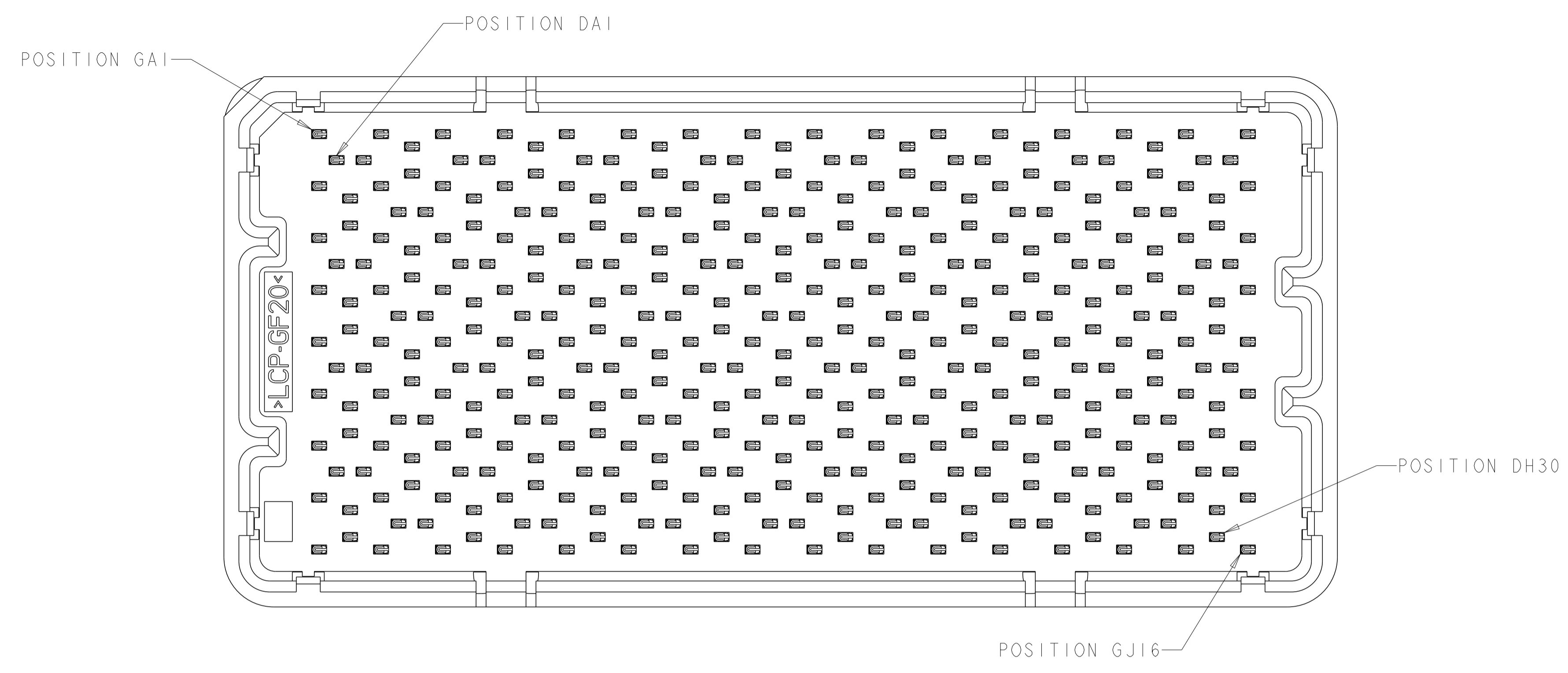
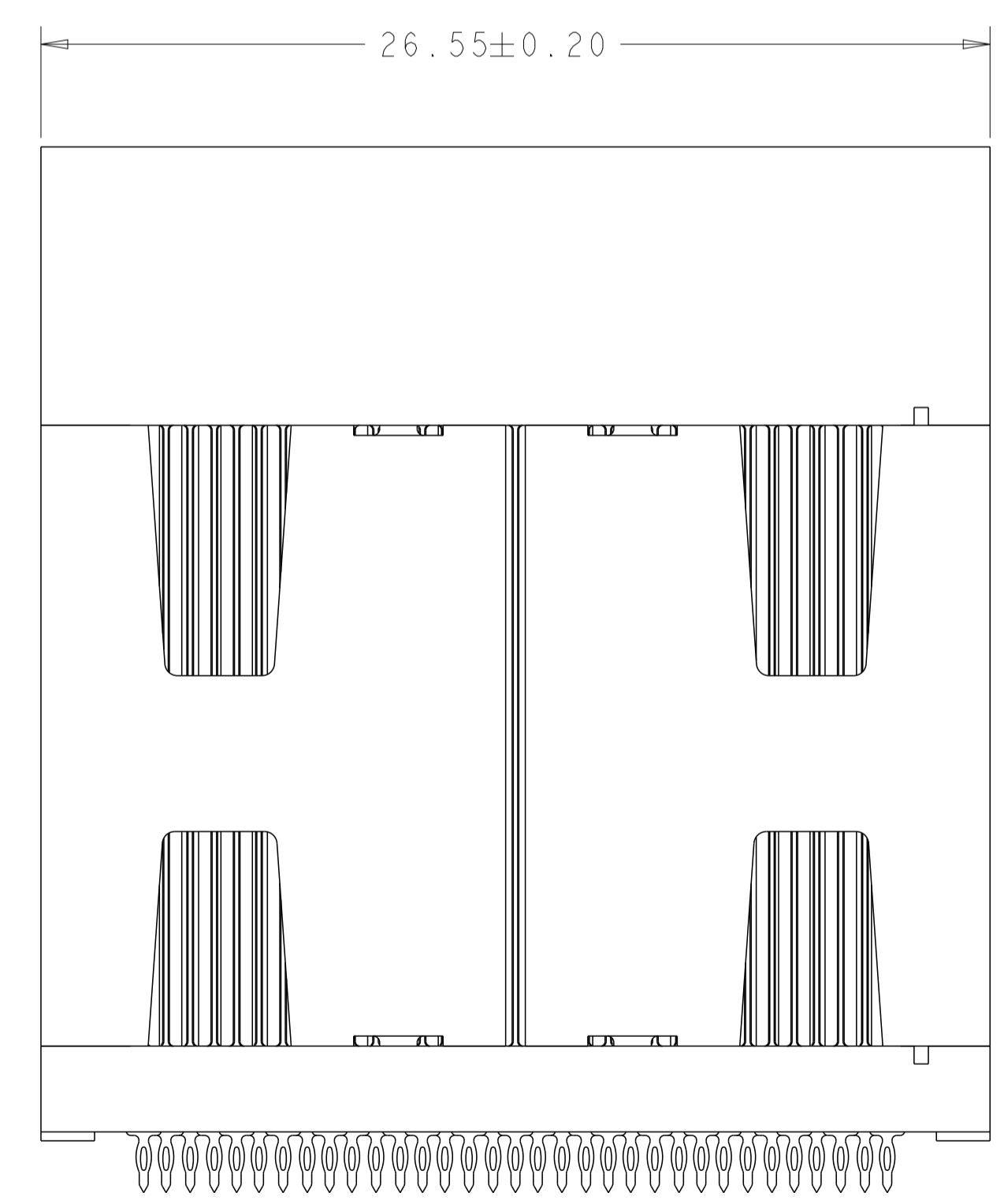
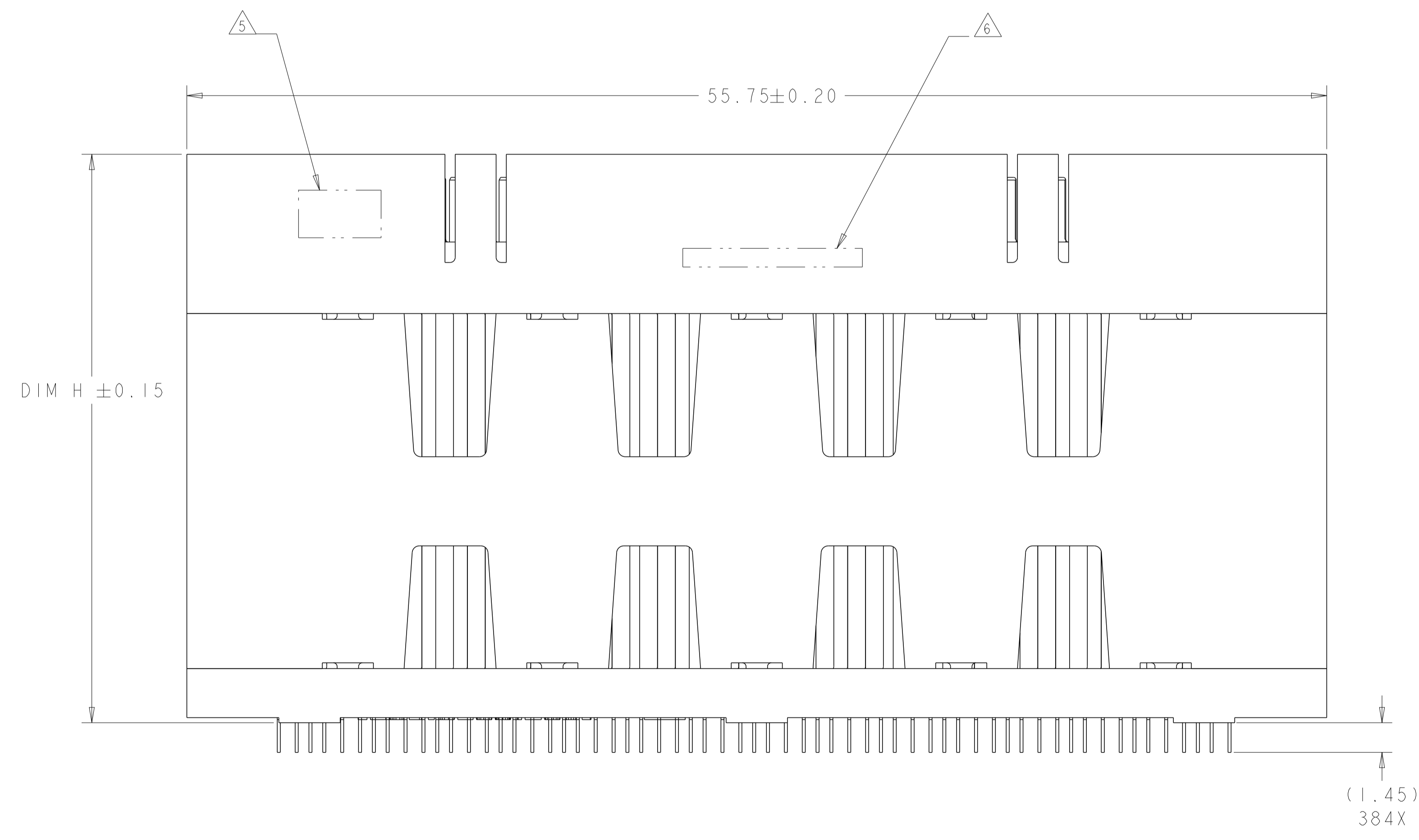


| LOC | DIST | REVISIONS |     |                           |           |     |      |
|-----|------|-----------|-----|---------------------------|-----------|-----|------|
| GP  | 00   | P         | LTN | DESCRIPTION               | DATE      | DWN | APVD |
|     |      | A         |     | REVISED PER ECO-12-018201 | 17OCT2012 | KH  | MH   |



- △ MATERIAL:  
BASE HOUSING, UPPER HOUSING, ORGANIZER,  
AND SPACER: THERMOPLASTIC, FLAMMABILITY  
RATING UL94-V0  
CONTACT: COPPER ALLOY
- 2. CONFORMS TO THE REQUIREMENTS OF TE PRODUCT  
SPECIFICATION, 108-2375; BASED ON TELCORDIA  
GR-1217-CORE FOR SYSTEM QUALITY LEVEL III,  
APPLICATIONS IN CONTROLLED ENVIRONMENTS  
(CENTRAL OFFICE).  
SEE TE PRODUCT SPECIFICATION 108-2375 FOR  
TEST SEQUENCES.
- △ ROWS GA THRU GJ (SHOWN DARKENED) ARE TYPICALLY  
USED AS GROUNDS.
- △ SPECIFIED POSITIONAL TOLERANCE DEFINES HOLE TO  
HOLE LOCATION WITHIN HOLE PATTERN. POSITIONAL  
TOLERANCE OF HOLE PATTERN TO FIDUCIAL MARKS  
OR PCB DATUMS SHALL BE DEFINED BY CUSTOMER.
- △ AREA RESERVED FOR TE CONNECTIVITY LOGO.
- △ AREA RESERVED FOR PART NUMBER (X-XXXXXXX-X)  
AND DATE CODE (YYWW).
- △ USE CENTERLINES INDICATED ON PCB HOLE PATTERN  
TO ESTABLISH ALIGNMENT BETWEEN HEADER AND  
RECEPTACLE BOARDS.
- △ PLATED THROUGH HOLE REQUIREMENTS:  
HOLE SIZE PRIOR TO PLATING =  $\varnothing 0.420 \pm 0.013$   
COPPER PLATING THICKNESS =  $0.038 \pm 0.013$   
CALCULATED FINISHED HOLE SIZE =  $\varnothing 0.344 \pm 0.039$   
THESE DIMENSIONS APPLY TO THE TOP 1.25mm OF  
THE PCB THICKNESS FROM THE CONNECTOR MOUNTING  
SIDE.
- △ CONTACT SALES FOR AVAILABILITY OF THIS STACK  
HEIGHT.

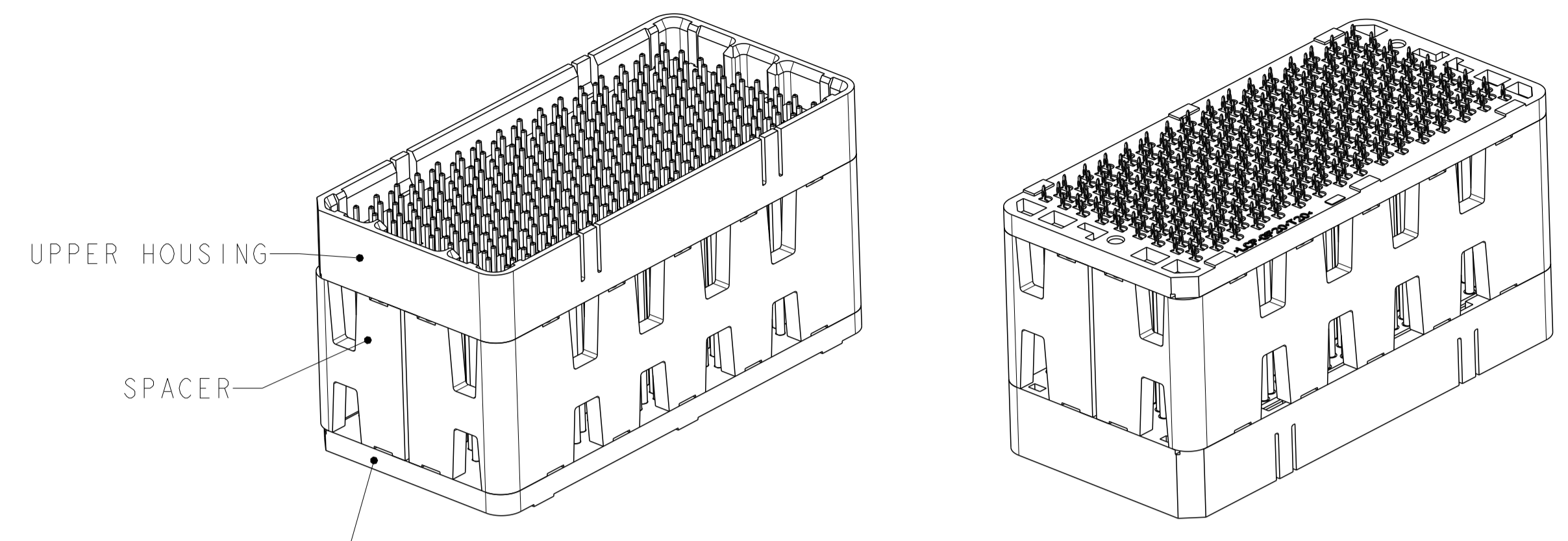


**SIZE 3 HOUSING \***  
**120 DIFFERENTIAL PAIRS**  
**384 TOTAL SIGNAL CONTACTS**

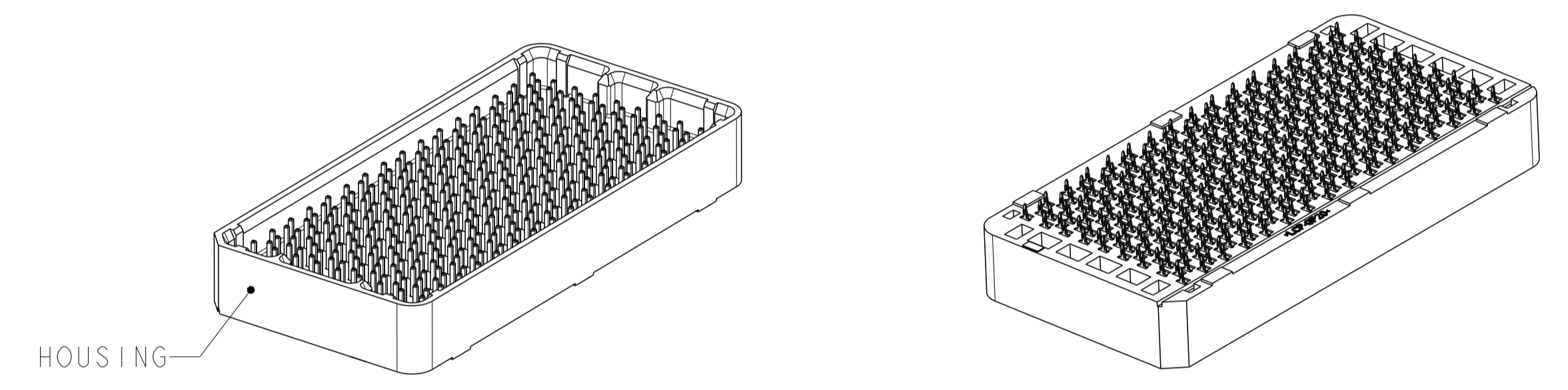
\* SIZE 1 AND SIZE 2 ARE ALSO AVAILABLE

|  |  |                               |  |  |
|--|--|-------------------------------|--|--|
| THIS DRAWING IS A CONTROLLED DOCUMENT. |  | DWN<br>D. RINGLER 26FEB2009   | TE Connectivity  |  |
| DIMENSIONS:                            |  | CHK<br>D. TROUT 26FEB2009     |  |  |
| mm                                     | TOLERANCES UNLESS OTHERWISE SPECIFIED: | APVD<br>J. FEEDER 26FEB2009   | NAME<br>HEADER ASSEMBLY<br>120/384 SIGNAL<br>STRADA MESA MEZZANINE CONNECTOR |  |
| 0 PLC ±                                | 1 PLC ±0.13                            | PRODUCT SPEC<br>108-2375      | SIZE CAGE CODE DRAWING NO RESTRICTED TO                                      |  |
| 2 PLC ±0.13                            | 3 PLC ±0.013                           | APPLICATION SPEC<br>114-13249 | A100779C=2110400   |  |
| 4 PLC ±                                | ANGLES ±1                              | WEIGHT                        | SCALE 6:1 SHEET 1 OF 4 REV A   |  |
| MATERIAL                               | FINISH                                 | CUSTOMER DRAWING              |  |  |

| LOC | DIST | REVISIONS |     |             |      |     |      |
|-----|------|-----------|-----|-------------|------|-----|------|
| GP  | 00   | P         | LYN | DESCRIPTION | DATE | OWN | APVD |
|     |      | -         |     | SEE SHEET 1 |      |     |      |



ISOMETRIC VIEW  
 TYPICAL CONFIGURATION FOR 14mm THRU 42mm  
 28mm SHOWN  
 SCALE 2:1



ISOMETRIC VIEW  
 TYPICAL CONFIGURATION FOR 8mm THRU 13mm  
 8mm SHOWN  
 SCALE 2:1

|        |       |              |                      |             |
|--------|-------|--------------|----------------------|-------------|
| △      | 41.8  | 42mm         | MATTE Sn             | 9-2110400-2 |
| △      | 40.8  | 41mm         | MATTE Sn             | 9-2110400-1 |
| YES    | 39.8  | 40mm         | MATTE Sn             | 9-2110400-0 |
| △      | 38.8  | 39mm         | MATTE Sn             | 8-2110400-9 |
| △      | 37.8  | 38mm         | MATTE Sn             | 8-2110400-8 |
| △      | 36.8  | 37mm         | MATTE Sn             | 8-2110400-7 |
| △      | 35.8  | 36mm         | MATTE Sn             | 8-2110400-6 |
| △      | 34.8  | 35mm         | MATTE Sn             | 8-2110400-5 |
| △      | 33.8  | 34mm         | MATTE Sn             | 8-2110400-4 |
| △      | 32.8  | 33mm         | MATTE Sn             | 8-2110400-3 |
| △      | 31.8  | 32mm         | MATTE Sn             | 8-2110400-2 |
| △      | 30.8  | 31mm         | MATTE Sn             | 8-2110400-1 |
| △      | 29.8  | 30mm         | MATTE Sn             | 8-2110400-0 |
| △      | 28.8  | 29mm         | MATTE Sn             | 7-2110400-9 |
| YES    | 27.8  | 28mm         | MATTE Sn             | 7-2110400-8 |
| △      | 26.8  | 27mm         | MATTE Sn             | 7-2110400-7 |
| △      | 25.8  | 26mm         | MATTE Sn             | 7-2110400-6 |
| △      | 24.8  | 25mm         | MATTE Sn             | 7-2110400-5 |
| △      | 23.8  | 24mm         | MATTE Sn             | 7-2110400-4 |
| YES    | 22.8  | 23mm         | MATTE Sn             | 7-2110400-3 |
| △      | 21.8  | 22mm         | MATTE Sn             | 7-2110400-2 |
| △      | 20.8  | 21mm         | MATTE Sn             | 7-2110400-1 |
| △      | 19.8  | 20mm         | MATTE Sn             | 7-2110400-0 |
| △      | 18.8  | 19mm         | MATTE Sn             | 6-2110400-9 |
| △      | 17.8  | 18mm         | MATTE Sn             | 6-2110400-8 |
| △      | 16.8  | 17mm         | MATTE Sn             | 6-2110400-7 |
| △      | 15.8  | 16mm         | MATTE Sn             | 6-2110400-6 |
| △      | 14.8  | 15mm         | MATTE Sn             | 6-2110400-5 |
| △      | 13.8  | 14mm         | MATTE Sn             | 6-2110400-4 |
| △      | 12.8  | 13mm         | MATTE Sn             | 6-2110400-3 |
| △      | 11.8  | 12mm         | MATTE Sn             | 6-2110400-2 |
| △      | 10.8  | 11mm         | MATTE Sn             | 6-2110400-1 |
| YES    | 9.8   | 10mm         | MATTE Sn             | 6-2110400-0 |
| △      | 8.8   | 9mm          | MATTE Sn             | 5-2110400-9 |
| △      | 7.8   | 8mm          | MATTE Sn             | 5-2110400-8 |
| TOOLED | DIM H | STACK HEIGHT | CONTACT TAIL PLATING | PART NUMBER |

|        |       |              |                      |             |
|--------|-------|--------------|----------------------|-------------|
| △      | 41.8  | 42mm         | Sn/Pb                | 4-2110400-2 |
| △      | 40.8  | 41mm         | Sn/Pb                | 4-2110400-1 |
| YES    | 39.8  | 40mm         | Sn/Pb                | 4-2110400-0 |
| △      | 38.8  | 39mm         | Sn/Pb                | 3-2110400-9 |
| △      | 37.8  | 38mm         | Sn/Pb                | 3-2110400-8 |
| △      | 36.8  | 37mm         | Sn/Pb                | 3-2110400-7 |
| △      | 35.8  | 36mm         | Sn/Pb                | 3-2110400-6 |
| △      | 34.8  | 35mm         | Sn/Pb                | 3-2110400-5 |
| △      | 33.8  | 34mm         | Sn/Pb                | 3-2110400-4 |
| △      | 32.8  | 33mm         | Sn/Pb                | 3-2110400-3 |
| △      | 31.8  | 32mm         | Sn/Pb                | 3-2110400-2 |
| △      | 30.8  | 31mm         | Sn/Pb                | 3-2110400-1 |
| △      | 29.8  | 30mm         | Sn/Pb                | 3-2110400-0 |
| △      | 28.8  | 29mm         | Sn/Pb                | 2-2110400-9 |
| YES    | 27.8  | 28mm         | Sn/Pb                | 2-2110400-8 |
| △      | 26.8  | 27mm         | Sn/Pb                | 2-2110400-7 |
| △      | 25.8  | 26mm         | Sn/Pb                | 2-2110400-6 |
| △      | 24.8  | 25mm         | Sn/Pb                | 2-2110400-5 |
| △      | 23.8  | 24mm         | Sn/Pb                | 2-2110400-4 |
| YES    | 22.8  | 23mm         | Sn/Pb                | 2-2110400-3 |
| △      | 21.8  | 22mm         | Sn/Pb                | 2-2110400-2 |
| △      | 20.8  | 21mm         | Sn/Pb                | 2-2110400-1 |
| △      | 19.8  | 20mm         | Sn/Pb                | 2-2110400-0 |
| △      | 18.8  | 19mm         | Sn/Pb                | 1-2110400-9 |
| △      | 17.8  | 18mm         | Sn/Pb                | 1-2110400-8 |
| △      | 16.8  | 17mm         | Sn/Pb                | 1-2110400-7 |
| △      | 15.8  | 16mm         | Sn/Pb                | 1-2110400-6 |
| △      | 14.8  | 15mm         | Sn/Pb                | 1-2110400-5 |
| △      | 13.8  | 14mm         | Sn/Pb                | 1-2110400-4 |
| △      | 12.8  | 13mm         | Sn/Pb                | 1-2110400-3 |
| △      | 11.8  | 12mm         | Sn/Pb                | 1-2110400-2 |
| △      | 10.8  | 11mm         | Sn/Pb                | 1-2110400-1 |
| YES    | 9.8   | 10mm         | Sn/Pb                | 1-2110400-0 |
| △      | 8.8   | 9mm          | Sn/Pb                | 2110400-9   |
| △      | 7.8   | 8mm          | Sn/Pb                | 2110400-8   |
| TOOLED | DIM H | STACK HEIGHT | CONTACT TAIL PLATING | PART NUMBER |

THIS DRAWING IS A CONTROLLED DOCUMENT. DWG: D. RINGLER 26FEB2009  
 CHK: D. TROUT 26FEB2009  
 APVD: J. FEEDER 26FEB2009

**STE** TE Connectivity

NAME: HEADER ASSEMBLY  
 120/384 SIGNAL  
 STRADA MESA MEZZANINE CONNECTOR

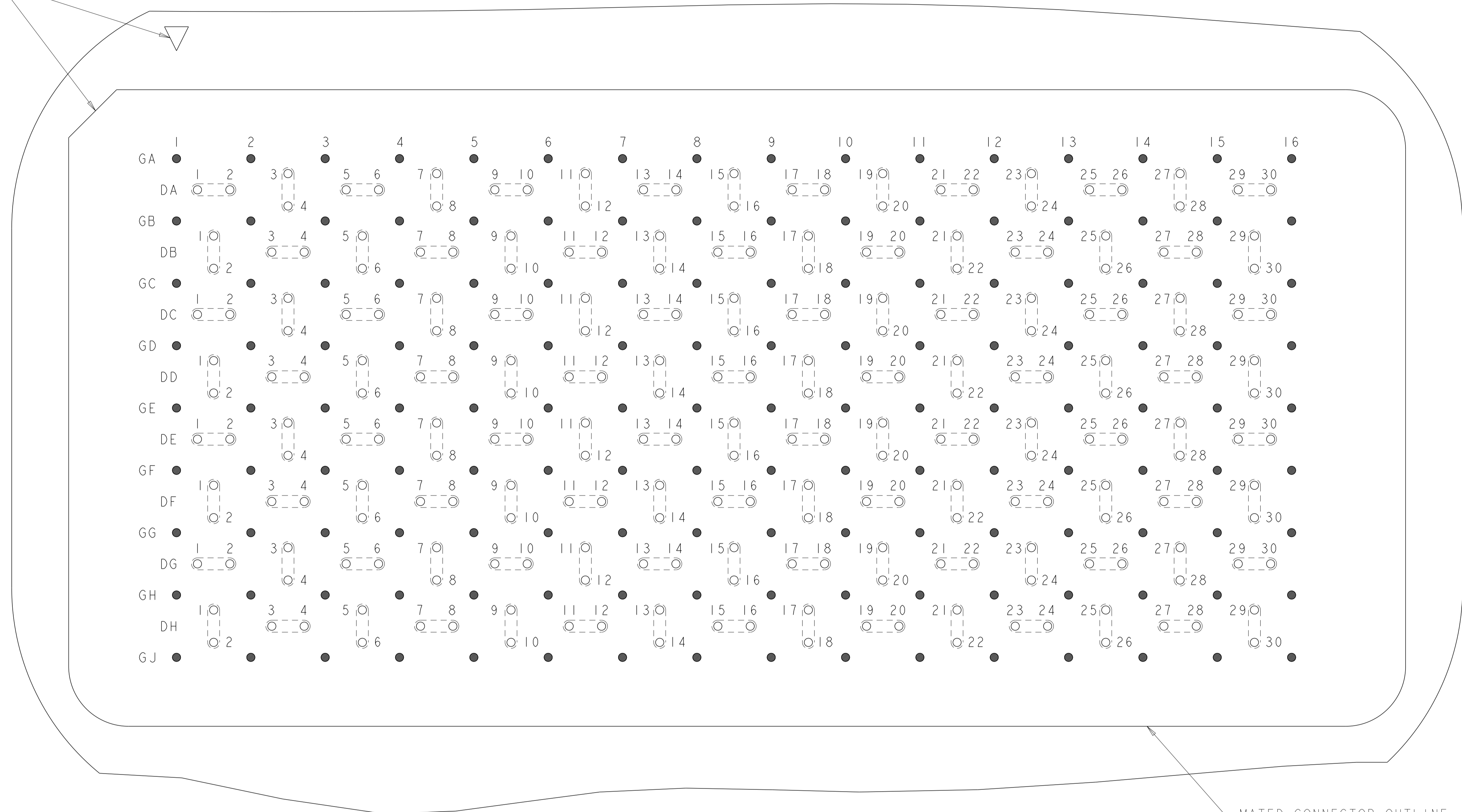
PRODUCT SPEC: 108-2375  
 APPLICATION SPEC: 114-13249

SIZE: A1 CAGE CODE: 2110400 DRAWING NO: 100779  
 WEIGHT: -

CUSTOMER DRAWING SCALE: 6:1 SHEET 2 OF 4 REV A


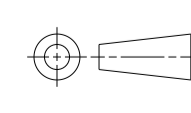
| LOC |     | DIST        |      | REVISIONS |      |  |  |
|-----|-----|-------------|------|-----------|------|--|--|
| P   | LYR | DESCRIPTION | DATE | OWN       | APVD |  |  |
| -   | -   | SEE SHEET 1 | -    | -         | -    |  |  |
|     |     |             |      |           |      |  |  |
|     |     |             |      |           |      |  |  |

AI CORNER INDICATORS.

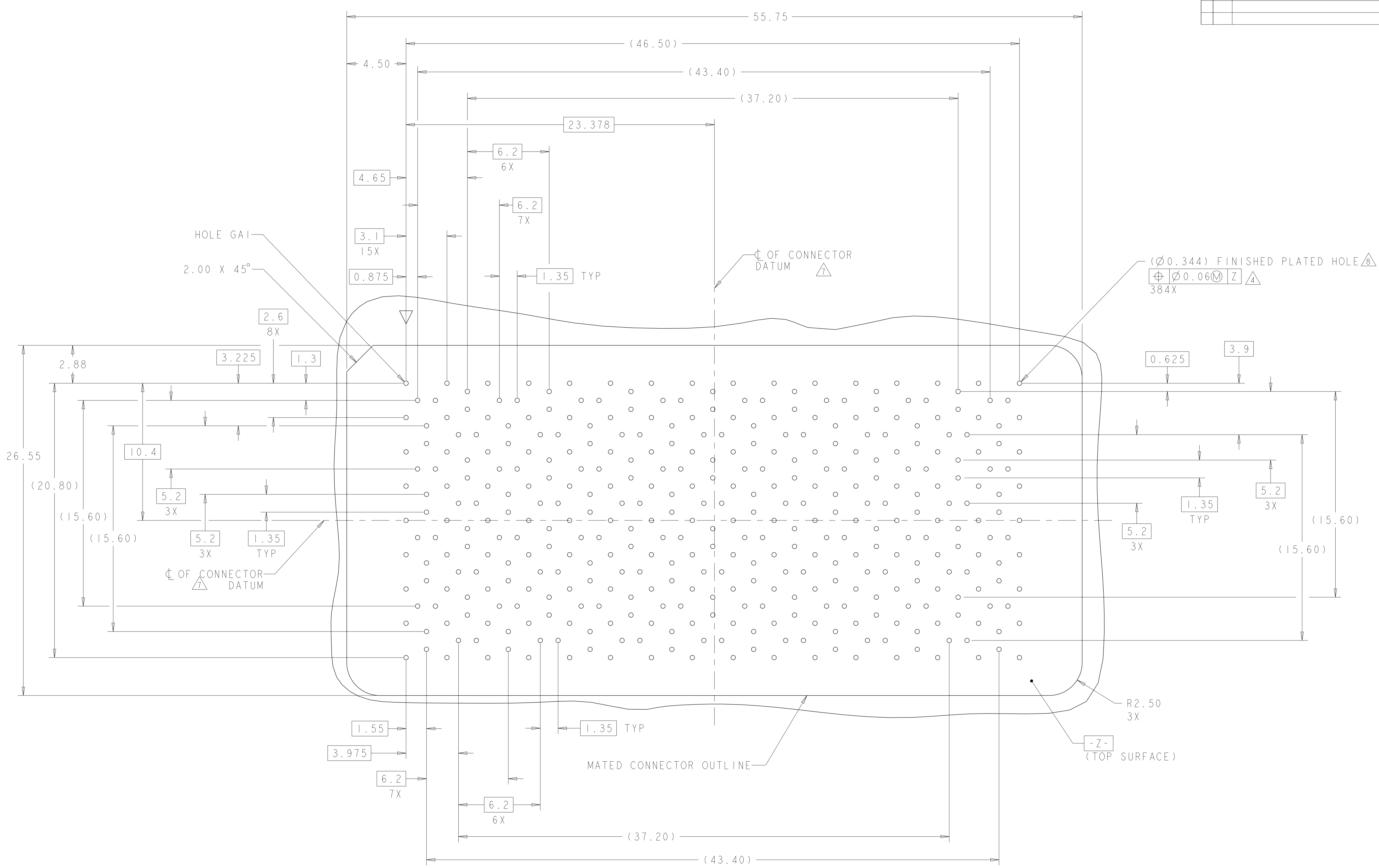


MATED CONNECTOR OUTLINE  
 SEE SHEET 4 FOR LOCATION TO HOLES

**PCB LAYOUT AND PIN IDENTIFICATION**   
 SHOWN FROM CONNECTOR SIDE  
 SCALE 10:1

|   |  |                               |   |
|---|--|-------------------------------|---|
| THIS DRAWING IS A CONTROLLED DOCUMENT.  |  | OWN<br>D. RINGLER 26FEB2009   |  TE Connectivity |
| DIMENSIONS:   |  | CHK<br>D. TROUT 26FEB2009     |   |
| mm  | TOLERANCES UNLESS OTHERWISE SPECIFIED:                         | APVD<br>J. FEEDER 26FEB2009   | NAME<br>HEADER ASSEMBLY   |
|  | 0 PLC ±<br>2 PLC ±0.13<br>3 PLC ±0.013<br>4 PLC ±<br>ANGLES ±1 | PRODUCT SPEC<br>108-2375      | 120/384 SIGNAL  |
| MATERIAL  | FINISH   | APPLICATION SPEC<br>114-13249 | STRADA MESA MEZZANINE CONNECTOR   |
|   |  | WEIGHT                        | SIZE CAGE CODE DRAWING NO RESTRICTED TO<br>A100779C=2110400   |
|   |  | CUSTOMER DRAWING              | SCALE 6:1 SHEET 3 OF 4 REV A  |

| LOC |     | DIST |     | REVISIONS |             |      |     |      |
|-----|-----|------|-----|-----------|-------------|------|-----|------|
| P   | LTN | DATE | DMN | APVD      | DESCRIPTION | DATE | DMN | APVD |
| -   | -   | -    | -   | -         | SEE SHEET 1 | -    | -   | -    |



**PCB HOLE PATTERN**  
 SHOWN FROM CONNECTOR SIDE  
 SCALE 7:1

|  |   |                             |  |
|--|---|-----------------------------|--|
| THIS DRAWING IS A CONTROLLED DOCUMENT.   |   | DMN<br>D. RINGLER 26FEB2009 | TE Connectivity  |
| DIMENSIONS:  |   | CHK<br>D. TROUT 26FEB2009   |  |
| mm   | TOLERANCES UNLESS OTHERWISE SPECIFIED:                                | APVD<br>J. FEEDER 26FEB2009 | NAME<br>HEADER ASSEMBLY                                      |
| 0 PLC ±<br>1 PLC ±0.13<br>2 PLC ±0.13<br>3 PLC ±0.13<br>4 PLC ±<br>ANGLES ±1<br>FINISH ± | PRODUCT SPEC<br>108-2375<br>APPLICATION SPEC<br>114-13249<br>WEIGHT - | SIZE<br>A100779             | DRAWING NO<br>C=2110400<br>RESTRICTED TO<br>CUSTOMER DRAWING |
| MATERIAL   |   | SCALE<br>6:1                | SHEET<br>4 OF 4<br>REV<br>A                                  |



## Стандарт Электрон Связь

Мы молодая и активно развивающаяся компания в области поставок электронных компонентов. Мы поставляем электронные компоненты отечественного и импортного производства напрямую от производителей и с крупнейших складов мира.

Благодаря сотрудничеству с мировыми поставщиками мы осуществляем комплексные и плановые поставки широчайшего спектра электронных компонентов.

Собственная эффективная логистика и склад в обеспечивает надежную поставку продукции в точно указанные сроки по всей России.

Мы осуществляем техническую поддержку нашим клиентам и предпродажную проверку качества продукции. На все поставляемые продукты мы предоставляем гарантию .

Осуществляем поставки продукции под контролем ВП МО РФ на предприятия военно-промышленного комплекса России , а также работаем в рамках 275 ФЗ с открытием отдельных счетов в уполномоченном банке. Система менеджмента качества компании соответствует требованиям ГОСТ ISO 9001.

Минимальные сроки поставки, гибкие цены, неограниченный ассортимент и индивидуальный подход к клиентам являются основой для выстраивания долгосрочного и эффективного сотрудничества с предприятиями радиоэлектронной промышленности, предприятиями ВПК и научно-исследовательскими институтами России.

С нами вы становитесь еще успешнее!

### Наши контакты:

**Телефон:** +7 812 627 14 35

**Электронная почта:** [sales@st-electron.ru](mailto:sales@st-electron.ru)

**Адрес:** 198099, Санкт-Петербург,  
Промышленная ул, дом № 19, литера Н,  
помещение 100-Н Офис 331