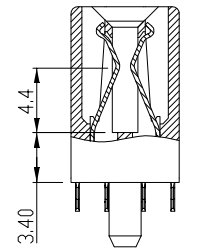
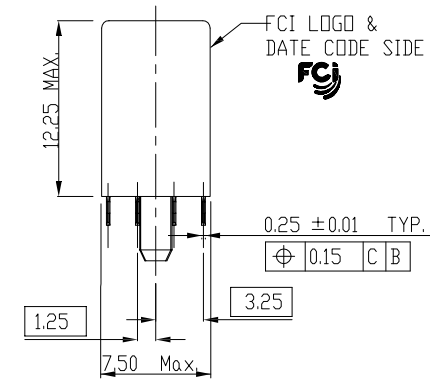
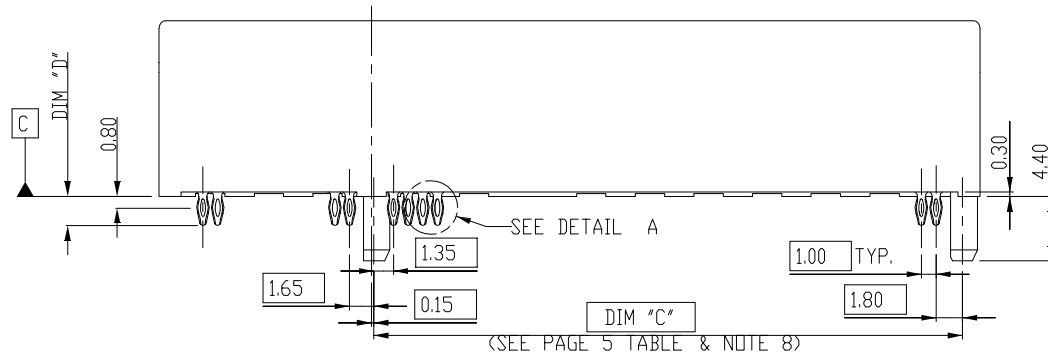
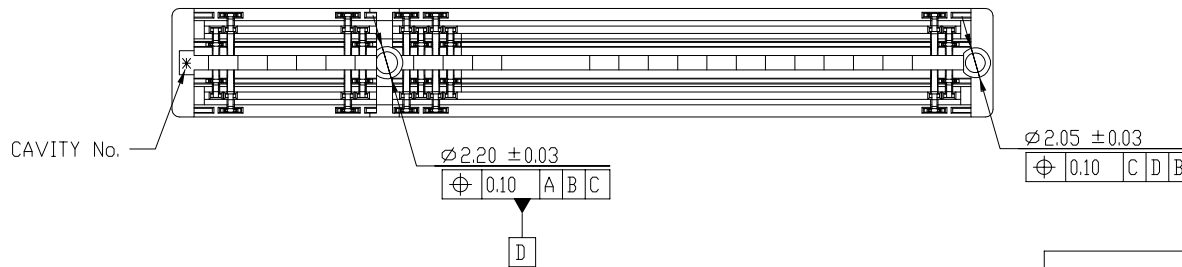


DETAIL A
SCALE 8.000

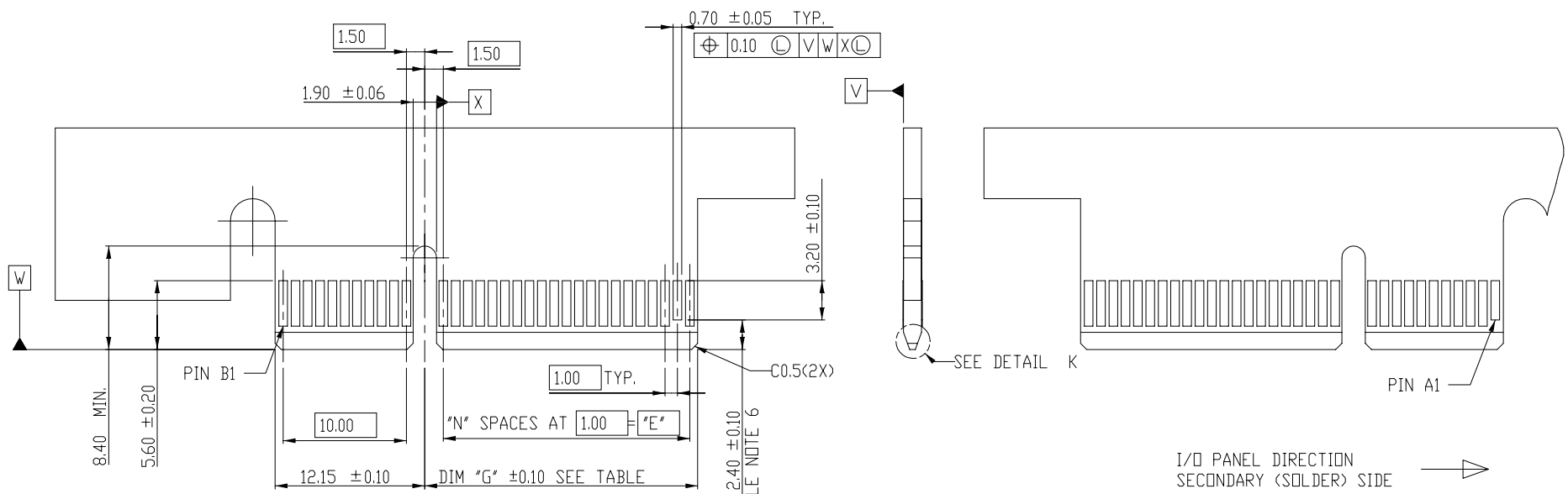


SECTION A-A
SCALE 2.000



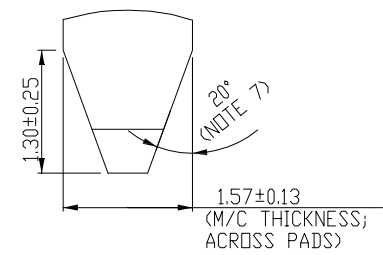
| rev | ecn no | dr | date |
|-----|----------------|----|------------|
| A | T09-1074 | RC | 05/19/2009 |
| B | T09-1112 | RC | 09/02/2009 |
| C | T09-1159 | RC | 12/16/2009 |
| D | DG-008068 | HT | 11/22/2011 |
| E | ELX-DG-21161-1 | ST | 05/27/16 |
| - | - | - | - |
| - | - | - | - |

| | | | | | |
|--------------------|------------|---|----------------|-----------------|--------------------|
| www.fciconnect.com | | surface <input checked="" type="checkbox"/> | tolerance std | projection | MM |
| | | TOLERANCES UNLESS OTHERWISE SPECIFIED | | | Scale 1.000 |
| Dr | P STONE LI | 05/27/15 | ANGULAR | size A4 | ECN ELX-DG-21161-1 |
| Eng | P STONE LI | 05/27/15 | LINEAR | 0.X ±0.25 | Spec ref |
| Chr | P / | / | 0° ±5° | 0.XX ±0.15 | |
| Appr | J PM ZHENG | 05/27/15 | Product family | 0.XXX ±0.10 | |
| FCI | | title PCIE GEN3 EXPRESS MODULE PRESS-FIT ASSEMBLY | | dwg no 10092852 | |
| | | catalog no - | | CUSTOMER | |
| | | | | Rev. E | |
| | | | | sheet 1 of 6 | |



I/O PANEL DIRECTION
PRIMARY (COMPONENT) SIDE

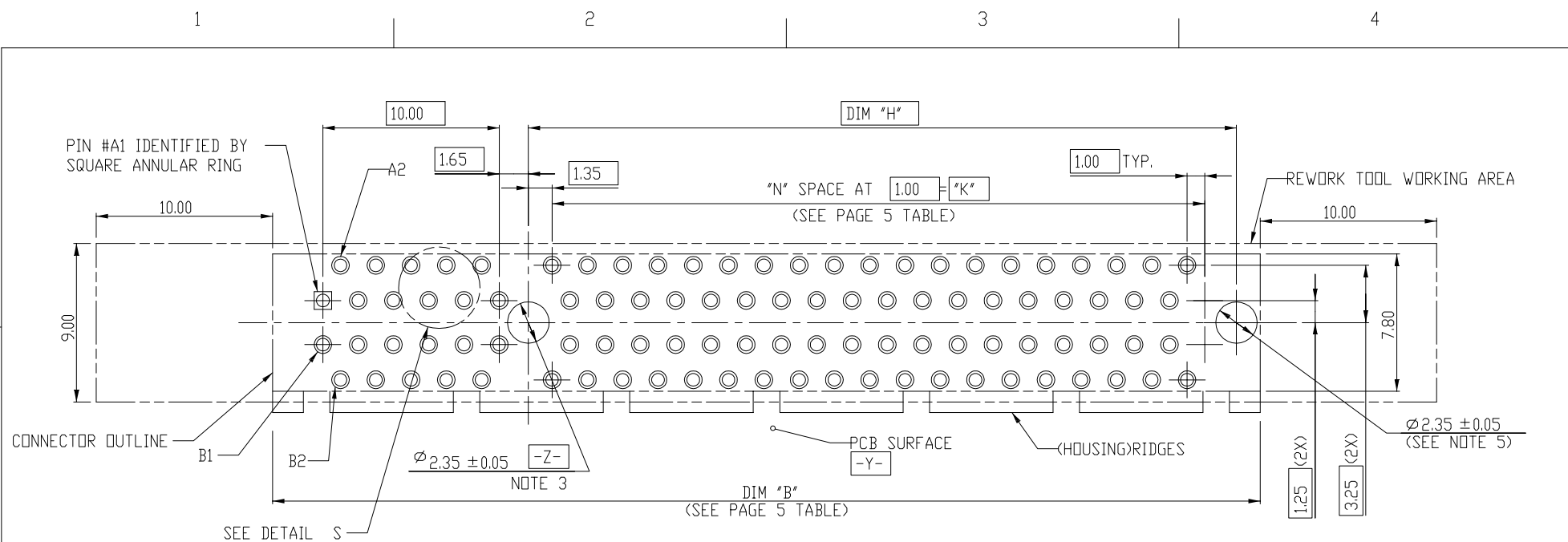
I/O PANEL DIRECTION
SECONDARY (SOLDER) SIDE



DETAIL K
SCALE 12.000

| PDS. REF. | N | DIM "G" | "F" |
|-----------|----|---------|-----|
| 36 | 6 | 8.15 | B17 |
| 64 | 20 | 22.15 | B31 |
| 98 | 37 | 39.15 | B48 |
| 164 | 70 | 72.15 | B81 |

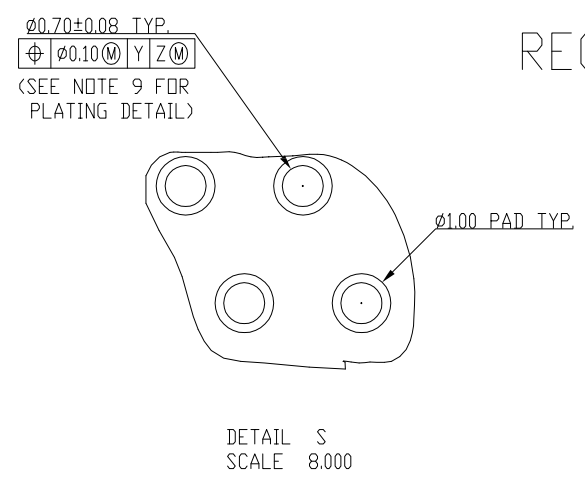
| | | | | | | | |
|---------------------------------------|----------|----------|----------------|---|---------------|------------------------|-------------|
| www.fciconnect.com | | | | surface <input checked="" type="checkbox"/> | tolerance std | projection | MM |
| TOLERANCES UNLESS OTHERWISE SPECIFIED | | | | | | | |
| Dr | STONE LI | 05/27/15 | ANGULAR | 0.X | ±0.25 | size | Scale 1.000 |
| Eng | STONE LI | 05/27/15 | LINEAR | 0.XX | ±0.15 | A4 | |
| Chr | / | / | 0° ±5° | 0.XXX | ±0.10 | ECN ELX-DG-21161-1 | |
| Appr | PM ZHENG | 05/27/15 | Product family | | | Spec ref | |
| | | | | title PCIE GEN3 EXPRESS MODULE PRESS-FIT ASSEMBLY | | dwg no 10092852 | |
| catalog no - | | | | CUSTOMER | | Rev. E sheet 2 of 6 | |



← I/O PANEL DIRECTION

RECOMMENDED FOOTPRINT

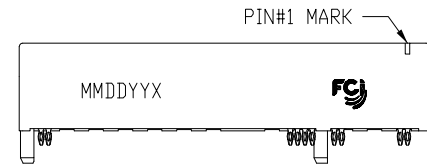
| POS. REF. | N | DIM "H" | DIM "K" |
|-----------|----|---------|---------|
| 36 | 6 | 9.15 | 6.00 |
| 64 | 20 | 23.15 | 20.00 |
| 98 | 37 | 40.15 | 37.00 |
| 164 | 70 | 73.15 | 70.00 |



| | | | | | | |
|--------------------|----------|----------|---|---------------|-----------------|--------------------|
| www.fciconnect.com | | | surface <input checked="" type="checkbox"/> | tolerance std | projection | MM |
| | | | TOLERANCES UNLESS OTHERWISE SPECIFIED | | | ← → |
| Dr | STONE LI | 05/27/15 | ANGULAR | 0.X | ±0.25 | size A4 |
| Eng | STONE LI | 05/27/15 | LINEAR | 0.XX | ±0.15 | Scale 1.000 |
| Chr | / | / | 0° ±5° | 0.XXX | ±0.10 | ECN ELX-DG-21161-1 |
| Appr | PM ZHENG | 05/27/15 | Product family | | Spec ref | |
| | | | title PCIE GEN3 EXPRESS MODULE PRESS-FIT ASSEMBLY | | dwg no 10092852 | Rev. E |
| | | | catalog no - | CUSTOMER | sheet 3 of 6 | |

NOTES:

1. MATERIAL:
 - HOUSING: HIGH PERFORMANCE RESIN, GLASS FILLED UL94V-0 RATED
 - TERMINAL: COPPER ALLOY
 - PLATING: 50u" NICKEL UNDERPLATE ALL OVER TERMINAL
 - CONTACT AREA PLATING - SEE PRODUCT NUMBER CODE
 - CONTACT TAIL: TIN OR Sn/Pb - 100u" MIN. OVER 50u" NICKEL
2. P/N SEE TABLE AND PRODUCT NUMBER CODE : DESH-XXXXTLF FOR TRAY PACKAGING.
3. PACKAGING SPECIFICATION: GS-14-974
4. PRODUCT SPECIFICATION : GS-12-584
- △ THE HORIZONTAL AXIS FOR THE HOLE PATTERN IS ESTABLISHED BY A LINE THROUGH THE CENTER OF THE TWO Ø2.35 HOLES.
- △ THE VERTICAL AXIS IS 90° TO THE HORIZONTAL AXIS, THROUGH THE CENTER OF DATUM Z.
- △ NO TIE BAR PERMITTED FROM CARD EDGE TO LEADING EDGE OF PAD FOR PINS A1 AND PIN NUMBERS "F".
- △ CHAMFER EDGES MUST BE FREE OF CUTTING BURRS.
- △ DIMENSION APPLIES AT CENTER OF PLASTIC PEGS, DIMENSION SHOWN IS TO CENTER LINE OF PEGS.
- △ ALL PTH SHOULD BE 0.70~0.82 mm DIA DRILLED AND 0.025 mm MIN. ELECTRO-DEPOSITED COPPER THK ON THROUGH HOLE WALL.
10. PRODUCT RoHS DEFINITIONS:
 - a-IF TERMINAL PLATING OPTION IS "0,1 OR 2" WHICH MEANS PRODUCT IS 'ROHS COMPATIBLE'. THERE WILL BE "LF" SUFFIX IN THE END.
 - b-IF TERMINAL PLATING OPTION IS "3,4 OR 5" WHICH MEANS PRODUCT IS 'ROHS COMPLIANT'. THERE WILL BE NO "LF" SUFFIX IN THE END.
 - c-"LF" MEANS THE PRODUCT IS LEAD-FREE, 2um MINIMUM MATTE TIN OVER 1.27um MINIMUM NICKEL UNDERPLATE.
11. THE PRODUCT IS NOT INTENDED TO BE EXPOSED TO A MANUFACTURING SOLDER PROCESS.



DATE CODE:
MMDDYY:MONTH/DAY/YEAR
X: "K" - GEN.2 MARK



HOUSING COLOR OPTION:
1: BLACK

0: NON-RIDGE TYPE
1: RIDGE TYPE
(SEE SIDE VIEW OF THIS PAGE)

TERMINAL PLATING OPTIONS

0-50u" Ni UNDERPLATE
30u" Au CONTACT AREA
100u" TIN TAIL AREA -----RoHS COMPATIBALE

1-50u" Ni UNDERPLATE
15u" Au CONTACT AREA
100u" TIN TAIL AREA -----RoHS COMPATIBALE

2-50u" Ni UNDERPLATE
GOLD FLASH CONTACT AREA
100u" TIN TAIL AREA -----RoHS COMPATIBALE

3-50u" Ni UNDERPLATE
30u" Au CONTACT AREA
100u" TIN/LEAD TAIL AREA -----RoHS COMPLIANT

4-50u" Ni UNDERPLATE
15u" Au CONTACT AREA
100u" TIN/LEAD TAIL AREA -----RoHS COMPLIANT

5-50u" Ni UNDERPLATE
GOLD FLASH CONTACT AREA
100u" TIN/LEAD TAIL AREA -----RoHS COMPLIANT

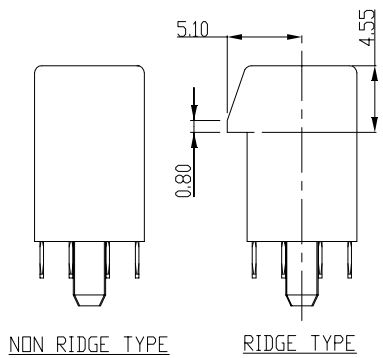
LEAD FREE OPTION
"LF": LEAD-FREE (FOR TERMINAL PLATING OPTION 0,1,2)
"□□": NOT LEAD-FREE (FOR TERMINAL PLATING OPTION 3,4,5)

PACKAGING OPTIONS
T-TRAY PACKAGING

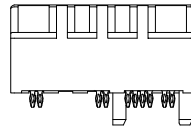
PDS OPTIONS
0-36
1-64
2-98
3-164

TAIL LENGTH OPTIONS

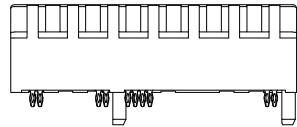
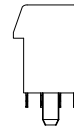
| | DIM "D" | PCB THICKNESS |
|---|-----------|---------------|
| 0 | 2.00±0.20 | 2.36 |
| 1 | 3.25±0.20 | 4.19 |



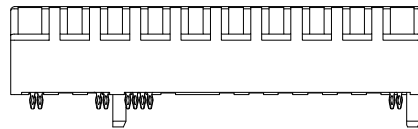
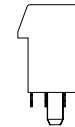
| | | | | | | |
|--------------------|----------|----------|---|---------------|-----------------------|-------------|
| www.fciconnect.com | | | surface <input checked="" type="checkbox"/> | tolerance std | projection | MM |
| | | | TOLERANCES UNLESS OTHERWISE SPECIFIED | | | Scale 1.000 |
| Dr | TONE LI | 05/27/15 | ANGULAR | 0.X ±0.25 | size A4 | |
| Eng | TONE LI | 05/27/15 | LINEAR | 0.XX ±0.15 | | |
| Chr | / | / | 0° ±5° | 0.XXX ±0.10 | ECN ELX-DG-21161-1 | |
| Appr | PM ZHENG | 05/27/15 | Product family | | Spec ref | |
| | | | title PCIE GEN 3 | | dwg no 10092852 | |
| | | | EXPRESS MODULE PRESS-FIT ASSEMBLY | | Rev. E | |
| | | | catalog no - | | CUSTOMER sheet 4 of 6 | |



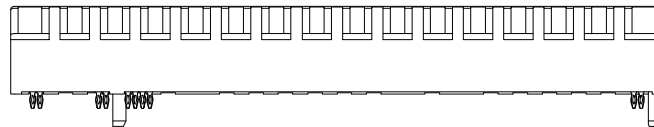
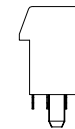
36 PIN RIDGE TYPE FRONT VIEW



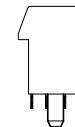
64 PIN RIDGE TYPE FRONT VIEW



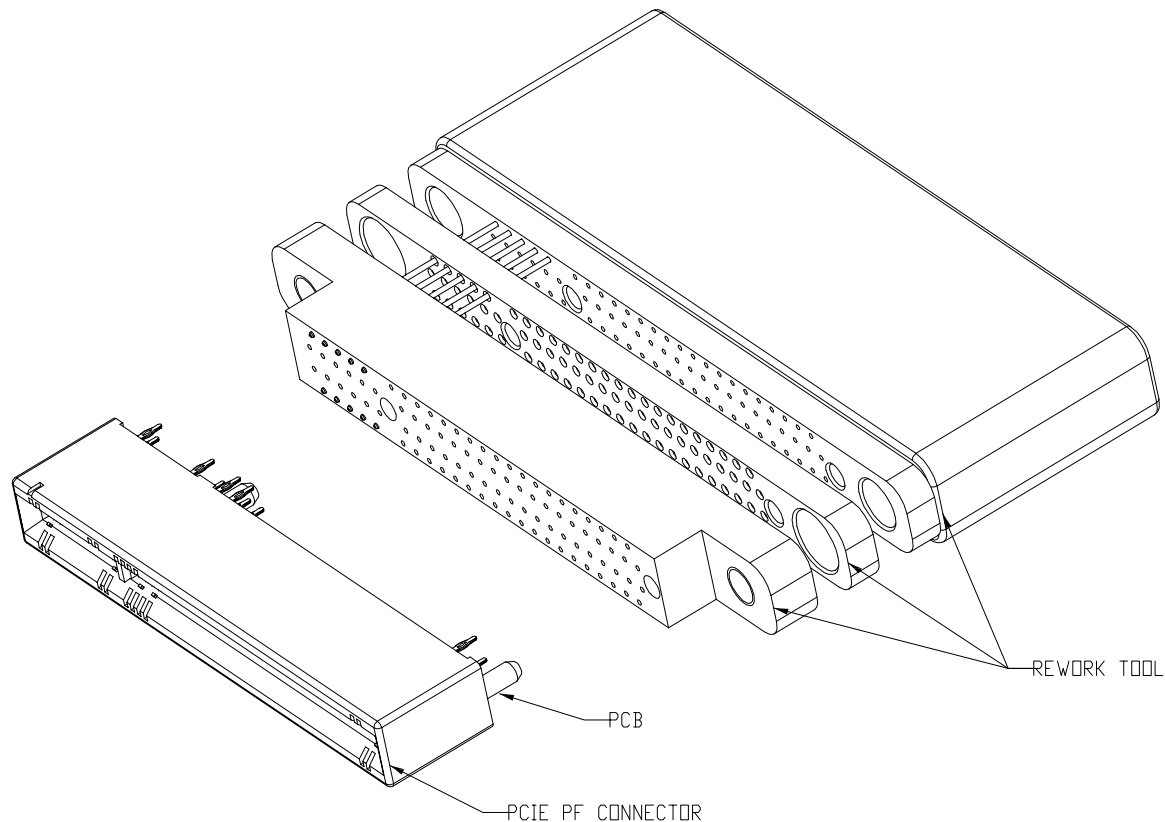
98 PIN RIDGE TYPE FRONT VIEW



164 PIN RIDGE TYPE FRONT VIEW



| | | | | | |
|--------------------|-------------------|---|-----------------|--------------------|-------------|
| www.fciconnect.com | | surface <input checked="" type="checkbox"/> | tolerance std | projection | MM |
| | | TOLERANCES UNLESS OTHERWISE SPECIFIED | | | |
| Dr | STONE LI 05/27/15 | ANGULAR | 0.X ±0.25 | size | Scale 1.000 |
| Eng | STONE LI 05/27/15 | LINEAR | 0.XX ±0.15 | ECN ELX-DG-21161-1 | |
| Chr | / / / | 0° ±5° | 0.XXX ±0.10 | Spec ref | |
| Appr | PM ZHENG 05/27/15 | Product family | | | |
| | title PCIE GEN3 | | dwg no 10092852 | | Rev. E |
| | | EXPRESS MODULE PRESS-FIT ASSEMBLY | | CUSTOMER | |
| | | catalog no - | | sheet 5 of 6 | |



CONNECTOR REWORK TOOL & ILLUSTRATION
(SEE APPLICATION SPECIFICATION GS-20-117
FOR DETAILS)

PRODUCT DIMENSION TABLE FOR EACH TYPES

| CONNECTOR | # POS REF. | N | DIM 'A' | DIM 'B' | DIM 'C' | DIM 'E' |
|-----------|------------|----|---------|---------|---------|---------|
| 1 PORT | 36 | 6 | 7.65 | 25.00 | 9.15 | 6.00 |
| 4 PORT | 64 | 20 | 21.65 | 39.00 | 23.15 | 20.00 |
| 8 PORT | 98 | 37 | 38.65 | 56.00 | 40.15 | 37.00 |
| 16 PORT | 164 | 70 | 71.65 | 89.00 | 73.15 | 70.00 |

| | | | | | | | |
|--------------------|----------|---|---|---------------|-------------|----------|--------------------|
| www.fciconnect.com | | | surface <input checked="" type="checkbox"/> | tolerance std | projection | MM | |
| | | | TOLERANCES UNLESS OTHERWISE SPECIFIED | | | | |
| Dr | STONE LI | 05/27/15 | ANGULAR | LINEAR | 0.X | ±0.25 | |
| Eng | STONE LI | 05/27/15 | | | 0.XX | ±0.15 | size A4 |
| Chr | / | / | 0° | ±5° | 0.XXX | ±0.10 | ECN ELX-DG-21161-1 |
| Appr | PM ZHENG | 05/27/15 | Product family | | | Spec ref | |
| | | title PCIE GEN3 EXPRESS MODULE PRESS-FIT ASSEMBLY | | | no 10092852 | | Rev. E |
| | | catalog no | | | CUSTOMER | | sheet 6 of 6 |



Стандарт Электрон Связь

Мы молодая и активно развивающаяся компания в области поставок электронных компонентов. Мы поставляем электронные компоненты отечественного и импортного производства напрямую от производителей и с крупнейших складов мира.

Благодаря сотрудничеству с мировыми поставщиками мы осуществляем комплексные и плановые поставки широчайшего спектра электронных компонентов.

Собственная эффективная логистика и склад в обеспечивает надежную поставку продукции в точно указанные сроки по всей России.

Мы осуществляем техническую поддержку нашим клиентам и предпродажную проверку качества продукции. На все поставляемые продукты мы предоставляем гарантию .

Осуществляем поставки продукции под контролем ВП МО РФ на предприятия военно-промышленного комплекса России , а также работаем в рамках 275 ФЗ с открытием отдельных счетов в уполномоченном банке. Система менеджмента качества компании соответствует требованиям ГОСТ ISO 9001.

Минимальные сроки поставки, гибкие цены, неограниченный ассортимент и индивидуальный подход к клиентам являются основой для выстраивания долгосрочного и эффективного сотрудничества с предприятиями радиоэлектронной промышленности, предприятиями ВПК и научно-исследовательскими институтами России.

С нами вы становитесь еще успешнее!

Наши контакты:

Телефон: +7 812 627 14 35

Электронная почта: sales@st-electron.ru

Адрес: 198099, Санкт-Петербург,
Промышленная ул, дом № 19, литера Н,
помещение 100-Н Офис 331