

RoHS Recast Compliant

ATA Disk Module

ADM5S 44P/270D Product Specifications

March 30, 2016

Version 1.2



Apacer Technology Inc.

1F, No.32, Zhongcheng Rd., Tucheng Dist., New Taipei City, Taiwan, R.O.C

Tel: +886-2-2267-8000 Fax: +886-2-2267-2261

www.apacer.com

Features:

- **Standard ATA/IDE Bus Interface**
 - ATA command set compatible
 - Compliant with ATA/ATAPI-8
 - ATA operating mode supports up to:
 - PIO Mode up to 4
 - Multiword DMA Mode up to 2
 - Ultra DMA Mode up to 6
- **Connector Type**
 - 44-pin female connector (2.00mm pitch)
- **Power Consumption***
 - Supply voltage: 3.3V & 5V
 - Active mode: 265 mA
 - Idle mode: 5 mA
- **Performance***
 - Sustained read: Up to 75 MB/sec
 - Sustained write: Up to 65 MB/sec
- **Capacity**
 - 128, 256, 512 MB
 - 1, 2, 4, 8, 16, 32, 64 GB
- **NAND Flash Type:** SLC
- **MTBF:** > 2,000,000 hours
- **Temperature Range**
 - Operation:
 - Standard: 0°C to 70°C
 - Extended: -40 to 85°C
 - Storage: -40°C to 100°C
- **Form Factor**
 - ATA Disk Module
 - Dimension: 45.0 x 28.0 x 6.85, unit: mm
- **Flash Management**
 - Advanced wear-leveling algorithms
 - Built-in hardware ECC
 - Flash block management
 - Power failure management
- **ATA Secure Erase**
- **S.M.A.R.T. Technology**
- **Shock & Vibration****
 - Shock: 1,500 G
 - Vibration: 15 G
- **Master/Slave Switch** (optional)
- **RoHS Recast Compliant (2011/65/EU)**

*Performance and power consumption addressed here are typical and may vary from flash configurations or platforms.

**Non-operating

Table of Contents

1. General Description	3
2. Functional Block	3
3. Pin Assignments.....	4
4. Product Specifications.....	5
4.1 Capacity.....	5
4.2 Performance	5
4.3 Environmental Specifications	6
5. Flash Management	7
5.1 Advanced Wear-Leveling algorithms.....	7
5.2 Built-in Hardware ECC	7
5.3 Flash Block Management	7
5.4 Power Failure Management	7
5.5 Mean Time Between Failures (MTBF)	7
6. Software Interface	8
6.1 Command Set.....	8
6.2 S.M.A.R.T.	9
6.3. ATA Secure Erase.....	9
7. Electrical Specifications.....	10
8. Mechanical Specifications	11
9. Product Ordering Information.....	12
9.1 Product Code Designations.....	12
9.2 Valid Combinations.....	13
9.2.1 <i>Standard Temperature</i>	13
9.2.2 <i>Extended Temperature</i>	13

1. General Description

Apacer's ATA Disk Module 5S (ADM5S) SSD delivers smooth performance and low power consumption. This device supports DMA mode up to UDMA 6 that offers advanced data transfer technology and internal memory efficiency, which effectively decreases the loading for the microprocessor. Compliant with ATA/ATAPI-8 standards, our ADM5S supports data transfer modes up to PIO 4, Multiword DMA 2, and Ultra DMA 6. Equipped with power Error Correction Coding (ECC) up to 72bit/1KB, the ADM5S can provide high data integrity. Aside from data efficiency, the ADM5S also comes with power management. The device can work at 3.3V or 5V power supply, with the output voltage automatically adjusted by the voltage regulator in the core. In addition, the built-in ECC engine can support multi-mode correction capability up to 72 bits and perform effective decoding throughput with high reliability.

ADM is a cost-effective solution with standard ATA compliance deployable at all major operating systems such as Microsoft's Windows series, Apple's Mac OS family, and Unix variants. Featuring technologies as wear leveling, S.M.A.R.T, power failure management, and ATA Secure Erase, Apacer's ADM is definitely the ideal and reliable system storage.

2. Functional Block

The ATA-Disk Module (ADM) includes the ATA controller and flash media, as well as the ATA standard interface. Figure 2-1 shows the functional block diagram.

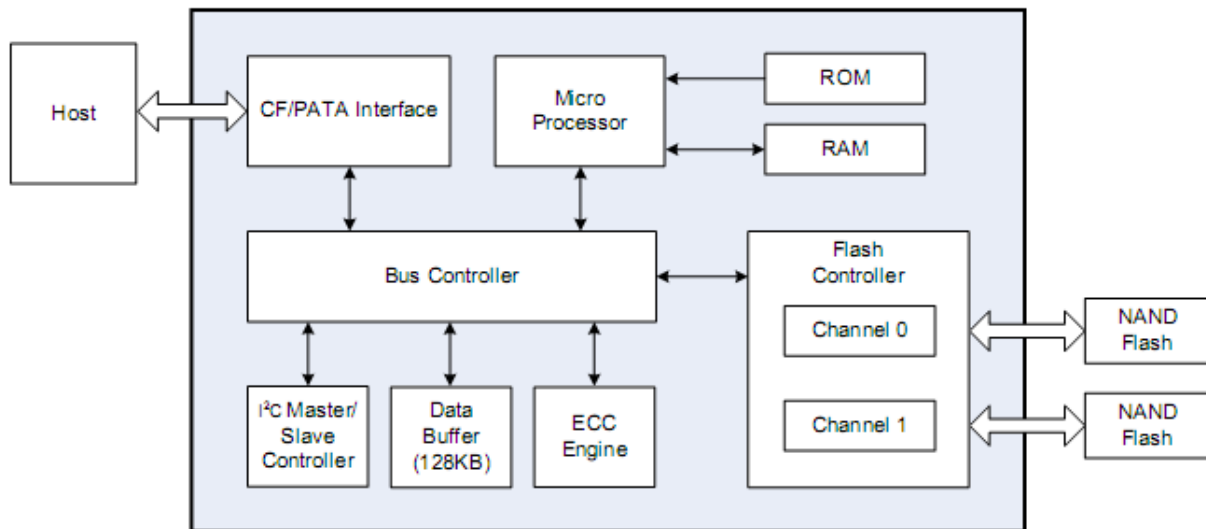


Figure 2-1 Functional Block Diagram

3. Pin Assignments

Table 3-1 lists the pin assignments with respective signal names for the 44-pin configuration. A “#” suffix indicates the active low signal. The pin type can be input, output or input/output.

Table 3-1 Pin Assignments for the 44-Pin Configuration

Pin No.	Signal Name	Pin Type	I/O Type*	Pin No.	Signal Name	Pin Type	I/O Type
1	RESET#	I	I2U	2	GND	-	Ground
3	D7	I/O	I1Z, O2	4	D8	I/O	I1Z, O2
5	D6	I/O	I1Z, O2	6	D9	I/O	I1Z, O2
7	D5	I/O	I1Z, O2	8	D10	I/O	I1Z, O2
9	D4	I/O	I1Z, O2	10	D11	I/O	I1Z, O2
11	D3	I/O	I1Z, O2	12	D12	I/O	I1Z, O2
13	D2	I/O	I1Z, O2	14	D13	I/O	I1Z, O2
15	D1	I/O	I1Z, O2	16	D14	I/O	I1Z, O2
17	D0	I/O	I1Z, O2	18	D15	I/O	I1Z, O2
19	GND	-	Ground	20	NC	-	-
21	DMARQ#	O	O1	22	GND	-	Ground
23	IOWR# STOP	I	I2Z	24	GND	-	Ground
25	IORD# HDMARDY# HSTROBE#	I	I2Z	26	GND	-	Ground
27	IORDY DDMARDY# DSTROBE	O	O1	28	NC/CSEL	I	I1U
29	DMACK#	I	I2U	30	NC/WP# ¹	-/I	-/I1U
31	INTRQ	O	O1	32	IOCS16#	O	O2
33	A1	I	I1Z	34	PDIAG#	I/O	I1U, O1
35	A0	I	I1Z	36	A2	I	I1Z
37	CS1FX#	I	I2Z	38	CS3FX#	I	I2Z
39	DASP#	I/O	I1U, O6	40	GND	-	Ground
41	VDD	-	Power	42	VDD	-	Power
43	GND	-	Ground	44	NC	-	-

*Pin 30 is selectable as NC or WP# through a zero ohm resistor jumper. Default is NC. Note that pin 30 is a GND pin on standard ATA interface. This pin could be redesigned for host to control the write protect function on ADM.

4. Product Specifications

4.1 Capacity

Capacity specifications of the ATA-Disk Module (ADM) product family are available as shown in Table 4-1.

Table 4-1 Capacity Specifications (unformatted)

Capacity	Total bytes	Cylinders	Heads	Sectors	Max LBA
128 MB	128,057,344	977	8	32	250,112
256 MB	256,901,120	980	16	32	501,760
512 MB	512,483,328	993	16	63	1,000,944
1 GB	1,011,032,064	1959	16	63	1,974,672
2 GB	2,011,226,112	3897	16	63	3,928,176
4 GB	4,011,614,208	7773	16	63	7,835,184
8 GB	8,012,390,400	15525	16	63	15,649,200
16 GB	16,013,942,784	16383	16	63	31,277,232
32 GB	32,017,047,552	16383	16	63	62,533,296
64 GB	64,023,257,088	16383	16	63	125,045,424

*Cylinders, heads or sectors are not applicable for these capacities. Only LBA addressing applies.

**Notes: 1 GB = 1,000,000,000 bytes; 1 sector = 512 bytes.

LBA count addressed in the table above indicates total user storage capacity and will remain the same throughout the lifespan of the device. However, the total usable capacity of the SSD is most likely to be less than the total physical capacity because a small portion of the capacity is reserved for device maintenance usages.

4.2 Performance

Performance of the ATA-Disk Module is listed in Table 4-2.

Table 4-2 Performance Specifications

Capacity \ Performance	128 MB	256 MB	512 MB	1 GB	2 GB	4 GB	8 GB	16 GB	32 GB	64 GB
Sustained read (MB/s)	24	24	31	31	35	65	70	75	75	75
Sustained write (MB/s)	11	11	20	20	28	50	60	65	65	65

*Results may differ from various flash configurations and platforms.

4.3 Environmental Specifications

Environmental specifications of the ATA-Disk Module (ADM) follow the MIL-STD-810F standard.

Table 4-3 Environmental Specifications

Environment		Specifications
Temperature	Operation	0°C to 70°C (Standard); -40°C to 85°C (Extended)
	Storage	-40°C to 100°C
Vibration (Non-Operating)		Sine wave: 10~2000Hz, 15G (X, Y, Z axes)
Shock (Non-Operating)		Half sine wave, 1,500 G, 11 ms (X, Y, Z ; All 6 axes)

5. Flash Management

5.1 Advanced Wear-Leveling algorithms

Flash memory devices differ from Hard Disk Drives (HDDs) in terms of how blocks are utilized. For HDDs, when a change is made to stored data, like erase or update, the controller mechanism on HDDs will perform overwrites on blocks. Unlike HDDs, flash blocks cannot be overwritten and each P/E cycle wears down the lifespan of blocks gradually. Repeatedly program/erase cycles performed on the same memory cells will eventually cause some blocks to age faster than others. This would bring flash storages to their end of service term sooner. Wear leveling is an important mechanism that level out the wearing of blocks so that the wearing-down of blocks can be almost evenly distributed. This will increase the lifespan of SSDs. Commonly used wear leveling types are Static and Dynamic.

5.2 Built-in Hardware ECC

The properties of NAND flash memory make it ideal for applications that require high integrity while operating in challenging environments. The integrity of data to NAND flash memory is generally maintained through ECC algorithms. This ATA-Flash Drive is programmed with a hardware ECC engine which correct up to 72 bits per 1KB.

5.3 Flash Block Management

Current production technology is unable to guarantee total reliability of NAND flash memory array. When a flash memory device leaves factory, it comes with a minimal number of initial bad blocks during production or out-of-factory as there is no currently known technology that produce flash chips free of bad blocks. In addition, bad blocks may develop during program/erase cycles. When host performs program/erase command on a block, bad block may appear in Status Register. Since bad blocks are inevitable, the solution is to keep them in control. Apacer flash devices are programmed with ECC, block mapping technique and S.M.A.R.T to reduce invalidity or error. Once bad blocks are detected, data in those blocks will be transferred to free blocks and error will be corrected by designated algorithms.

5.4 Power Failure Management

Power Failure Management plays a crucial role when experiencing unstable power supply. Power disruption may occur when users are storing data into the SSD. In this urgent situation, the controller would run multiple write-to-flash cycles to store the metadata for later block rebuilding. This urgent operation requires about several milliseconds to get it done. At the next power up, the firmware will perform a status tracking to retrieve the mapping table and resume previously programmed NAND blocks to check if there is any incompleteness of transmission.

5.5 Mean Time Between Failures (MTBF)

Mean Time Between Failures (MTBF) is predicted based on reliability data for the individual components in the drive. The prediction result for the drive is more than 2,000,000 hours.

Note: The MTBF is predicated and calculated based on “Telcordia Technologies Special Report, SR-332, Issue 2” method.

6. Software Interface

6.1 Command Set

This section defines the software requirements and the format of the commands the host sends to the ATA-Disk Module (ADM). Commands are issued to the ADM by loading the required registers in the command block with the supplied parameters, and then writing the command code to the Command register. The manner in which a command is accepted varies.

Table 6-1 Command Set (1 of 2)

Command	Code
Check-Power-Mode	E5H or 98H
Execute-Drive-Diagnostic	90H
Erase Sector(s)	C0H
Flush-Cache	E7H
Format Track	50H
Identify-Drive	ECH
Idle	E3H or 97H
Idle-Immediate	E1H or 95H
Initialize-Drive-Parameters	91H
NOP	00H
Read-Buffer	E4H
Read-DMA	C8H or C9H
Read-Multiple	C4H
Read-Sector(s)	20H or 21H
Read-Verify-Sector(s)	40H or 41H
Recalibrate	1XH
Request-Sense	03H
Security-Disable-Password	F6H
Security-Erase-Prepare	F3H
Security-Erase-Unit	F4H
Security-Freeze-Lock	F5H
Security-Set-Password	F1H
Security-Unlock	F2H
Seek	7XH
Set-Features	EFH

Table 6-1 Command Set (2 of 2)

Command	Code
SMART	B0H
Set-Multiple-Mode	C6H
Set-Sleep-Mode	E6H or 99H
Standby	E2H or 96H
Standby-Immediate	E0H or 94H
Translate-Sector	87H
Write-Buffer	E8H
Write-DMA	CAH or CBH
Write-Multiple	C5H
Write-Multiple-Without-Erase	CDH
Write-Sector(s)	30H or 31H
Write-Sector-Without-Erase	38H
Write-Verify	3CH

6.2 S.M.A.R.T.

S.M.A.R.T. is an acronym for Self-Monitoring, Analysis and Reporting Technology, an open standard allowing disk drives to automatically monitor their own health and report potential problems. It protects the user from unscheduled downtime by monitoring and storing critical drive performance and attributes parameters. Ideally, this should allow taking proactive actions to prevent impending drive failure.

6.3. ATA Secure Erase

ATA Secure Erase is an ATA disk purging command currently embedded in most of the storage drives. Defined in ATA specifications, (ATA) Secure Erase is part of Security Feature Set that allows storage drives to erase all user data areas. The erase process usually runs on the firmware level as most of the ATA-based storage media currently in the market are built-in with this command. ATA Secure Erase can securely wipe out the user data in the drive and protects it from malicious attack.

7. Electrical Specifications

Table 7-1 Operating Range

Ambient Temperature	0°C to 70°C -40°C to 85°C
Operating voltage	3.135-3.465V 4.75-5.25V

Table 7-2 Power Consumption

Capacity Modes	128 MB	256 MB	512 MB	1 GB	2 GB	4 GB	8 GB	16 GB	32 GB	64 GB
Active (mA)	110	110	125	125	130	190	220	240	245	265
Idle (mA)	5	5	5	5	5	5	5	5	5	5

*Results were tested at 5.0V power supply and may differ from various flash configurations and platforms.

8. Mechanical Specifications



9. Product Ordering Information

9.1 Product Code Designations



9.2 Valid Combinations

9.2.1 Standard Temperature

Capacity	P/N (3.3V)	P/N (5V)
128MB	AP-FM0128D3003S-T	AP-FM0128D3005S-T
256MB	AP-FM0256D3003S-T	AP-FM0256D3005S-T
512MB	AP-FM0512D3003S-T	AP-FM0512D3005S-T
1GB	AP-FM001GD3003S-T	AP-FM001GD3005S-T
2GB	AP-FM002GD3003S-T	AP-FM002GD3005S-T
4GB	AP-FM004GD3003S-T	AP-FM004GD3005S-T
8GB	AP-FM008GD3003S-T	AP-FM008GD3005S-T
16GB	AP-FM016GD3003S-T	AP-FM016GD3005S-T
32GB	AP-FM032GD3003S-T	AP-FM032GD3005S-T
64GB	AP-FM064GD3003S-T	AP-FM064GD3005S-T

9.2.2 Extended Temperature

Capacity	P/N (3.3V)	P/N (5V)
128MB	AP-FM0128D3003S-TW	AP-FM0128D3005S-TW
256MB	AP-FM0256D3003S-TW	AP-FM0256D3005S-TW
512MB	AP-FM0512D3003S-TW	AP-FM0512D3005S-TW
1GB	AP-FM001GD3003S-TW	AP-FM001GD3005S-TW
2GB	AP-FM002GD3003S-TW	AP-FM002GD3005S-TW
4GB	AP-FM004GD3003S-TW	AP-FM004GD3005S-TW
8GB	AP-FM008GD3003S-TW	AP-FM008GD3005S-TW
16GB	AP-FM016GD3003S-TW	AP-FM016GD3005S-TW
32GB	AP-FM032GD3003S-TW	AP-FM032GD3005S-TW
64GB	AP-FM064GD3003S-TW	AP-FM064GD3005S-TW

Revision History

Revision	Date	Description	Remark
1.0	12/09/2014	Official release	
1.1	1/19/2015	Capacity reorganized.	
1.2	3/30/2016	Added 128MB and 256MB support	

Global Presence

Taiwan (Headquarters)	Apacer Technology Inc. Apacer Technology Inc. 1F., No.32, Zhongcheng Rd., Tucheng Dist., New Taipei City 236, Taiwan R.O.C. Tel: 886-2-2267-8000 Fax: 886-2-2267-2261 amtsales@apacer.com
U.S.A.	Apacer Memory America, Inc. 386 Fairview Way, Suite102, Milpitas, CA 95035 Tel: 1-408-518-8699 Fax: 1-408-935-9611 sa@apacerus.com
Japan	Apacer Technology Corp. 5F, Matsura Bldg., Shiba, Minato-Ku Tokyo, 105-0014, Japan Tel: 81-3-5419-2668 Fax: 81-3-5419-0018 jpservices@apacer.com
Europe	Apacer Technology B.V. Science Park Eindhoven 5051 5692 EB Son, The Netherlands Tel: 31-40-267-0000 Fax: 31-40-267-0000#6199 sales@apacer.nl
China	Apacer Electronic (Shanghai) Co., Ltd 1301, No.251, Xiaomuqiao Road, Shanghai, 200032, China Tel: 86-21-5529-0222 Fax: 86-21-5206-6939 services@apacer.com.cn
India	Apacer Technologies Pvt Ltd, # 535, 1st Floor, 8th cross, JP Nagar 3rd Phase, Bangalore – 560078, India Tel: 91-80-4152-9061 sales_india@apacer.com



Стандарт Электрон Связь

Мы молодая и активно развивающаяся компания в области поставок электронных компонентов. Мы поставляем электронные компоненты отечественного и импортного производства напрямую от производителей и с крупнейших складов мира.

Благодаря сотрудничеству с мировыми поставщиками мы осуществляем комплексные и плановые поставки широчайшего спектра электронных компонентов.

Собственная эффективная логистика и склад в обеспечивает надежную поставку продукции в точно указанные сроки по всей России.

Мы осуществляем техническую поддержку нашим клиентам и предпродажную проверку качества продукции. На все поставляемые продукты мы предоставляем гарантию .

Осуществляем поставки продукции под контролем ВП МО РФ на предприятия военно-промышленного комплекса России , а также работаем в рамках 275 ФЗ с открытием отдельных счетов в уполномоченном банке. Система менеджмента качества компании соответствует требованиям ГОСТ ISO 9001.

Минимальные сроки поставки, гибкие цены, неограниченный ассортимент и индивидуальный подход к клиентам являются основой для выстраивания долгосрочного и эффективного сотрудничества с предприятиями радиоэлектронной промышленности, предприятиями ВПК и научно-исследовательскими институтами России.

С нами вы становитесь еще успешнее!

Наши контакты:

Телефон: +7 812 627 14 35

Электронная почта: sales@st-electron.ru

Адрес: 198099, Санкт-Петербург,
Промышленная ул, дом № 19, литера Н,
помещение 100-Н Офис 331