



Dual 3:1 Clickless Audio Multiplexers with Negative-Signal Handling

General Description

The MAX4908/MAX4909/MAX4930/MAX4932 dual 3:1 clickless audio multiplexers feature negative-signal capability that allows signals as low as $V_{CC} - 5.5V$ to pass through without distortion. These analog multiplexers have a low on-resistance (0.38Ω), low supply current, and operate from a single $+1.8V$ to $+5.5V$ supply.

The MAX4908 has shunt resistors on all input terminals, and the MAX4909 has shunt resistors on all input terminals except X0 and Y0. The MAX4930 has shunt resistors only on the X2 and Y2 terminals, and the MAX4932 has no shunt resistors. The shunt resistor feature reduces click-and-pop sounds by automatically discharging the capacitance at the input terminal when they are not connected. A break-before-make feature further reduces popping.

The MAX4908/MAX4909/MAX4930/MAX4932 use two digital control inputs CB1 and CB2 to switch between signals. The digital control inputs can accept up to $+5.5V$ independent of the supply voltage.

The MAX4908/MAX4909/MAX4930/MAX4932 are available in 12-bump WLP and 14-pin TDFN-EP packages and operate over the $-40^{\circ}C$ to $+85^{\circ}C$ extended temperature range.

Applications

Cell Phones
PDAs and Handheld Devices
Notebook Computers
MP3 Players

Features

- ◆ Distortion-Free Negative Signal Throughput Down to $V_{CC} - 5.5V$
- ◆ Internal Shunt Resistors Reduce Click-and-Pop Sounds
- ◆ High PSRR Reduces Supply Noise
- ◆ Low On-Resistance: 0.38Ω (typ)
- ◆ Channel-to-Channel Matching: 0.1Ω (max)
- ◆ On-Resistance Flatness: 0.35Ω (max)
- ◆ Single $+1.8V$ to $+5.5V$ Supply Voltage
- ◆ $-70dB$ (typ) Crosstalk (20kHz)
- ◆ $-80dB$ (typ) Off-Isolation (20kHz)
- ◆ 0.02% (typ) Total Harmonic Distortion
- ◆ $50nA$ Leakage Current
- ◆ $50nA$ Supply Current

Ordering Information

| PART | TEMP RANGE | PIN-PACKAGE | TOP MARK |
|---------------|----------------------------------|--------------|----------|
| MAX4908ETD+T | $-40^{\circ}C$ to $+85^{\circ}C$ | 14 TDFN-EP** | ABI |
| MAX4908EWC+T* | $-40^{\circ}C$ to $+85^{\circ}C$ | 12 WLP | AAF |
| MAX4909ETD+T | $-40^{\circ}C$ to $+85^{\circ}C$ | 14 TDFN-EP** | ABJ |
| MAX4909EWC+T* | $-40^{\circ}C$ to $+85^{\circ}C$ | 12 WLP | AAG |
| MAX4930ETD+T | $-40^{\circ}C$ to $+85^{\circ}C$ | 14 TDFN-EP** | ADM |
| MAX4930EWC+T* | $-40^{\circ}C$ to $+85^{\circ}C$ | 12 WLP | ADY |
| MAX4932ETD+T | $-40^{\circ}C$ to $+85^{\circ}C$ | 14 TDFN-EP** | ADN |
| MAX4932EWC+T* | $-40^{\circ}C$ to $+85^{\circ}C$ | 12 WLP | AAN |

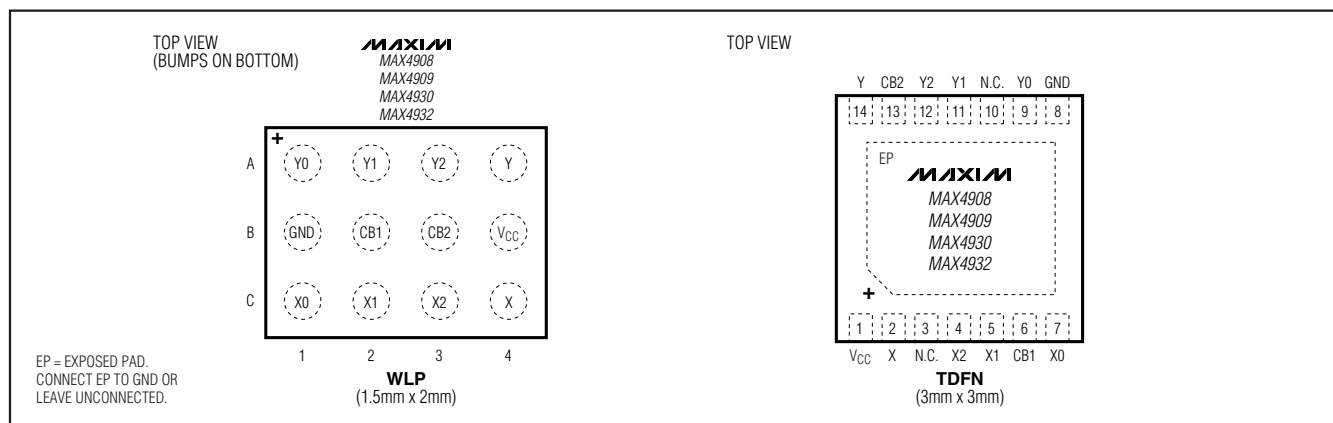
+ Denotes a lead-free/RoHS-compliant package.

T = Tape and reel.

* Future product—contact factory for availability.

** EP = Exposed pad.

Pin Configurations



MAX4908/MAX4909/MAX4930/MAX4932

Dual 3:1 Clickless Audio Multiplexers with Negative-Signal Handling

ABSOLUTE MAXIMUM RATINGS

(All voltages referenced to GND.)

| | |
|---|--|
| V _{CC} , CB ₋ | -0.3V to +6.0V |
| X, X ₋ , Y, Y ₋ | (V _{CC} - 6V) to (V _{CC} + 0.3V) |
| Continuous Current X, X ₋ , Y, Y ₋ | ±300mA |
| Peak Current X, X ₋ , Y, Y ₋ (pulsed at 1ms, 50% Duty Cycle) | ±400mA |
| Peak Current X, X ₋ , Y, Y ₋ (pulsed at 1ms, 10% Duty Cycle) | ±500mA |

| | |
|--|-----------------|
| Continuous Power Dissipation (T _A = +70°C) 12-Bump WLP (derate 8.5mW/°C above +70°C) | 678mW |
| 14-Pin TDFN, Single-Layer Board (derate 18.5mW/°C above +70°C) | 1482mW |
| 14-Pin TDFN, Multilayer Board (derate 24.4mW/°C above +70°C) | 1951mW |
| Operating Temperature Range | -40°C to +85°C |
| Junction Temperature | +150°C |
| Storage Temperature Range | -65°C to +150°C |
| Lead Temperature (soldering, 10s) | +300°C |

Stresses beyond those listed under "Absolute Maximum Ratings" may cause permanent damage to the device. These are stress ratings only, and functional operation of the device at these or any other conditions beyond those indicated in the operational sections of the specifications is not implied. Exposure to absolute maximum rating conditions for extended periods may affect device reliability.

ELECTRICAL CHARACTERISTICS

(V_{CC} = +2.7V to +5.5V, T_A = -40°C to +85°C, unless otherwise noted. Typical values are at V_{CC} = +3.0V, T_A = +25°C.) (Note 1)

| PARAMETER | SYMBOL | CONDITIONS | MIN | TYP | MAX | UNITS |
|--|--|---|---|------|-----------------|-------|
| POWER SUPPLY | | | | | | |
| Supply Voltage | V _{CC} | | 1.8 | | 5.5 | V |
| Supply Current | I _{CC} | V _{CC} = +5.5V, V _{CB-} = 0V or V _{CC} | | 0.05 | 2 | μA |
| | | V _{CC} = +2.7V, V _{CB-} = +0.5V or +1.4V | | | 4 | |
| | | V _{CC} = +5.5V, V _{CB-} = +0.5V or +1.4V | | | 8 | |
| ANALOG SWITCH | | | | | | |
| Analog Signal Range (Note 2) | V _{X-} , V _{Y-} , V _X , V _Y | | V _{CC} - 5.5V | | V _{CC} | V |
| On-Resistance (Note 3) | R _{ON} | V _{CC} = +2.7V; V _{X-} = V _{Y-} = V _{CC} - 5.5V; -1V, 0V, +1V, +2V, V _{CC} ; I _{X-} = I _{Y-} = 100mA | T _A = +25°C | 0.38 | 0.75 | Ω |
| | | | T _A = T _{MIN} to T _{MAX} | | 0.8 | |
| On-Resistance Match Between Channels (Notes 3 and 4) | ΔR _{ON} | Between X0 and Y0, X1 and Y1, X2 and Y2; V _{CC} = +2.7V; V _{X-} or V _{Y-} = 0V; I _{X-} = I _{Y-} = 100mA | | | 0.1 | Ω |
| On-Resistance Flatness (Notes 3 and 5) | R _{FLAT} | V _{CC} = +2.7V; V _{X-} = V _{Y-} = V _{CC} - 5.5V, -1V, 0, +1V, +2V, V _{CC} ; I _{X-} = I _{Y-} = 100mA | | | 0.35 | Ω |
| Shunt Switch Resistance | R _{SH} | | 2 | 3.8 | 6 | kΩ |
| X0, Y0 Off-Leakage Current (MAX4909/MAX4930/MAX4932) | I _{L(OFF)} | V _{CC} = +2.7V, switch open, V _{X0} or V _{Y0} = -2.5V or +2.5V, V _X or V _Y = +2.5V or -2.5V | T _A = +25°C | -50 | +50 | nA |
| | | | T _A = T _{MIN} to T _{MAX} | -200 | +200 | |
| X1, Y1 Off-Leakage Current (MAX4930/MAX4932) | | V _{CC} = +2.7V, switch open, V _{X1} or V _{Y1} = -2.5V or +2.5V, V _X or V _Y = +2.5V or -2.5V | T _A = +25°C | -50 | +50 | |
| | | | T _A = T _{MIN} to T _{MAX} | -200 | +200 | |
| X2, Y2 Off-Leakage Current (MAX4932) | | V _{CC} = +2.7V, switch open, V _{X2} or V _{Y2} = -2.5V or +2.5V, V _X or V _Y = +2.5V or -2.5V | T _A = +25°C | -50 | +50 | |
| | | | T _A = T _{MIN} to T _{MAX} | -200 | +200 | |
| X, Y On-Leakage Current | I _{L(ON)} | V _{CC} = +2.7V, switch closed, V _{X0} or V _{Y0} = -2.5V or +2.5V or unconnected, V _X = V _Y = -2.5V or +2.5V or floating | T _A = +25°C | -100 | +100 | nA |
| | | | T _A = T _{MIN} to T _{MAX} | -300 | +300 | |

Dual 3:1 Clickless Audio Multiplexers with Negative-Signal Handling

MAX4908/MAX4909/MAX4930/MAX4932

ELECTRICAL CHARACTERISTICS (continued)

($V_{CC} = +2.7V$ to $+5.5V$, $T_A = -40^{\circ}C$ to $+85^{\circ}C$, unless otherwise noted. Typical values are at $V_{CC} = +3.0V$, $T_A = +25^{\circ}C$.) (Note 1)

| PARAMETER | SYMBOL | CONDITIONS | MIN | TYP | MAX | UNITS |
|---|------------------------------|---|-----|------|-----|---------|
| DYNAMIC CHARACTERISTICS | | | | | | |
| Turn-On Time | t_{ON} | $V_{CC} = +2.7V$, $CB_{-} =$ low to high, $R_L = 50\Omega$, $C_L = 5pF$, Figure 2 | | 1.0 | | μs |
| Turn-Off Time | t_{OFF} | $V_{CC} = +2.7V$, $CB_{-} =$ high to low, $R_L = 50\Omega$, $C_L = 5pF$, Figure 2 | | 1.0 | | μs |
| Break-Before-Make Delay Time | t_D | $V_{CC} = +2.7V$, $CB_{-} =$ low to high or high to low, $R_L = 50\Omega$, $C_L = 5pF$, Figure 3 | 1.0 | 15 | | ns |
| Charge Injection | Q | $V_X = V_Y = 0V$, $R_{GEN} = 0\Omega$, $C_L = 1nF$, Figure 4 | | 300 | | pC |
| Power-Supply Rejection Ratio | PSRR | $f = 20kHz$, V_X or $V_Y = 1V_{RMS}$, $R_L = 50\Omega$, $C_L = 5pF$ | | 60 | | dB |
| Off-Isolation | V_{ISO} | $f = 20kHz$, $V_X = V_Y = 1V_{RMS}$, $R_L = 50\Omega$, Figure 5 (Note 6) | | -80 | | dB |
| Crosstalk | V_{CT} | $f = 20kHz$, V_X or $V_Y = 1V_{RMS}$, $R_L = 50\Omega$, Figure 5 | | -70 | | dB |
| Total Harmonic Distortion | THD | $f = 20Hz$ to $20kHz$, V_X or $V_Y = 0.5V_{P-P}$, $R_L = 50\Omega$, DC bias = 0 | | 0.02 | | % |
| X ₋ , Y ₋ Off-Capacitance | $C_{X(OFF)}$ $C_{Y(OFF)}$ | $f = 1MHz$, V_X or $V_Y = 0.5V_{P-P}$, DC bias = 0, Figure 6 | | 200 | | pF |
| X, Y On-Capacitance | $C_{X(ON)}$ $C_{Y(ON)}$ | $f = 1MHz$, V_X or $V_Y = 0.5V_{P-P}$, DC bias = 0, Figure 6 | | 450 | | pF |
| DIGITAL INPUTS (CB₋) | | | | | | |
| Input Logic High | V_{IH} | | 1.4 | | | V |
| Input Logic Low | V_{IL} | | | | 0.5 | V |
| Input Leakage Current | I_{CB} | $V_{CB_{-}} = 0V$ or V_{CC} | -1 | | +1 | μA |

Note 1: All parameters are production tested at $T_A = +25^{\circ}C$ and guaranteed by design over the specified temperature range.

Note 2: Signals on X, Y, X₋, or Y₋ exceeding V_{CC} are clamped by internal diodes. Limit forward-diode current to maximum current rating.

Note 3: Guaranteed by design; not production tested.

Note 4: $\Delta R_{ON} = R_{ON(MAX)} - R_{ON(MIN)}$.

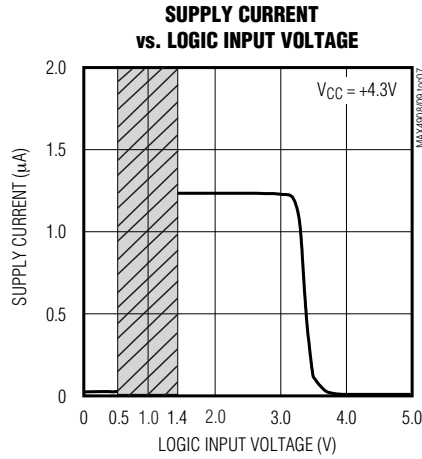
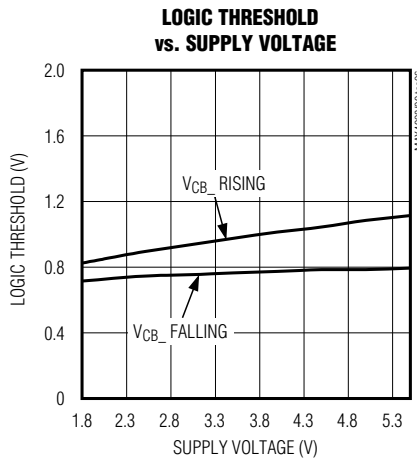
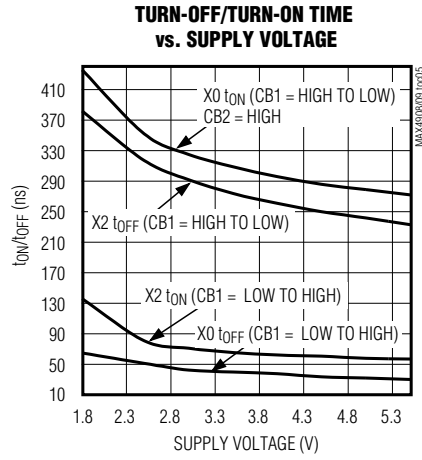
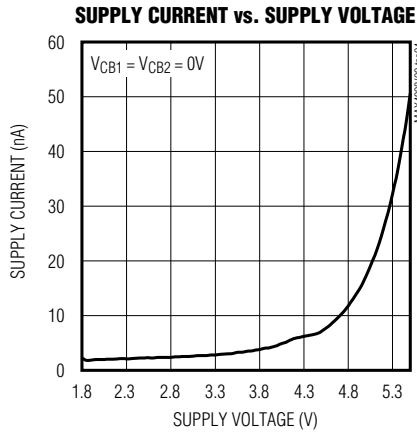
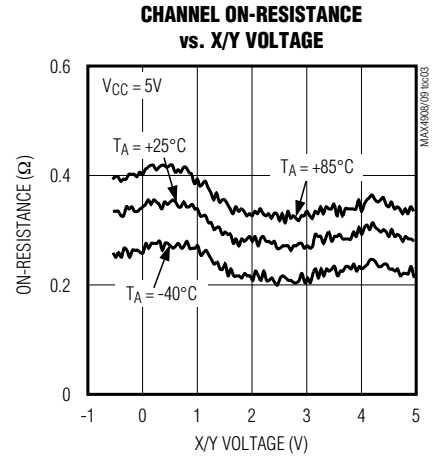
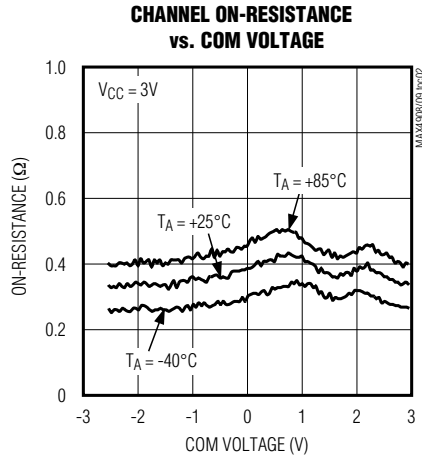
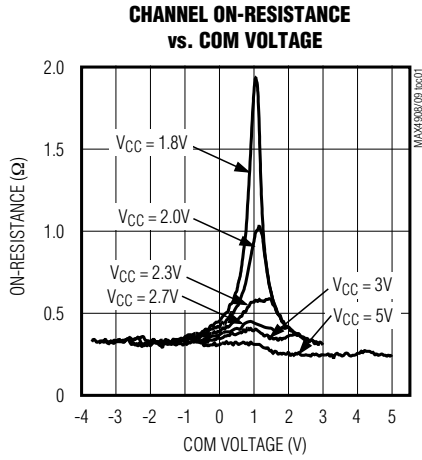
Note 5: Flatness is defined as the difference between the maximum and minimum value of on-resistance as measured over the specified analog signal ranges.

Note 6: X Off-Isolation = $20\log_{10} [V_X / V_{X-}]$, V_X = output, V_{X-} = input to off switch. Y Off-Isolation = $20\log_{10} [V_Y / V_{Y-}]$, V_Y = output, V_{Y-} = input to off switch.

Dual 3:1 Clickless Audio Multiplexers with Negative-Signal Handling

Typical Operating Characteristics

($V_{CC} = 3.0V$, $T_A = +25^\circ C$, unless otherwise noted.)

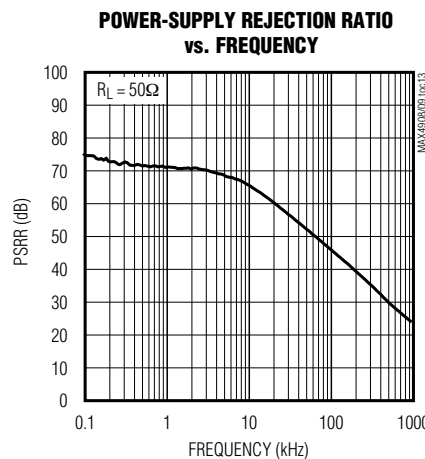
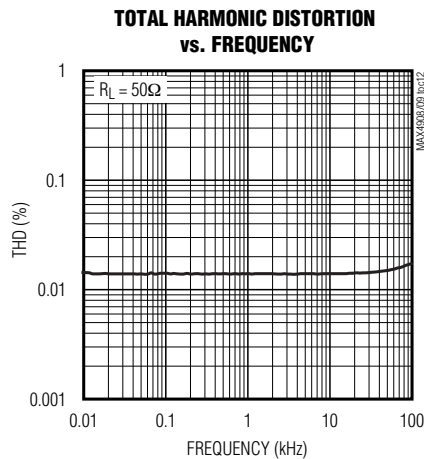
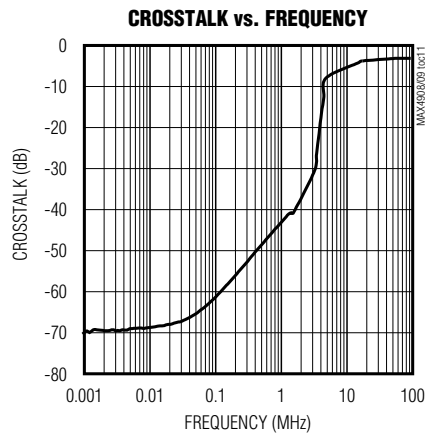
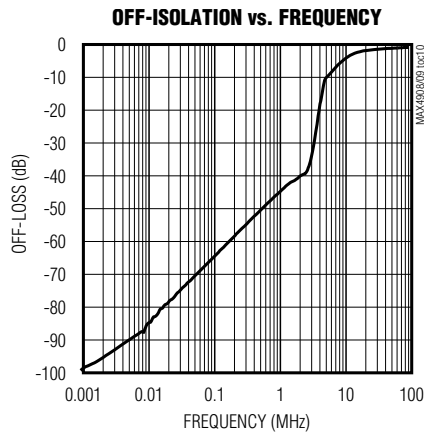
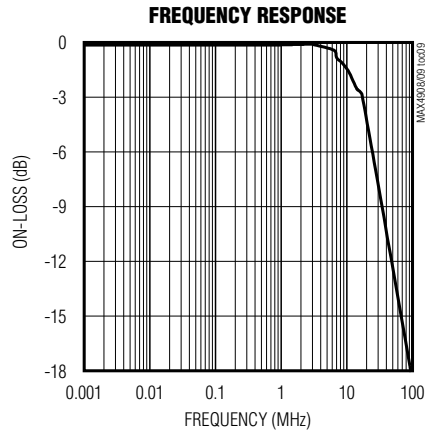
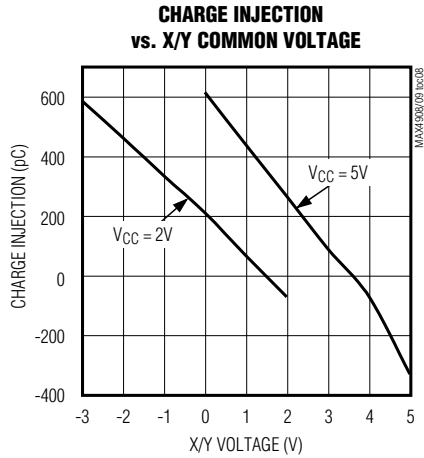


Dual 3:1 Clickless Audio Multiplexers with Negative-Signal Handling

Typical Operating Characteristics (continued)

($V_{CC} = 3.0V$, $T_A = +25^\circ C$, unless otherwise noted.)

MAX4908/MAX4909/MAX4930/MAX4932



Dual 3:1 Clickless Audio Multiplexers with Negative-Signal Handling

Pin Description

| PIN | | NAME | FUNCTION |
|---------|-----|-----------------|--|
| TDFN-EP | WLP | | |
| 1 | B4 | V _{CC} | Positive Supply Voltage Input |
| 2 | C4 | X | Analog Output X Common Terminal |
| 3,10 | — | N.C. | No Connection. Not internally connected. |
| 4 | C3 | X2 | Analog Input X2 |
| 5 | C2 | X1 | Analog Input X1 |
| 6 | B2 | CB1 | Digital Control Input 1 |
| 7 | C1 | X0 | Analog Input X0 |
| 8 | B1 | GND | Ground |
| 9 | A1 | Y0 | Analog Input Y0 |
| 11 | A2 | Y1 | Analog Input Y1 |
| 12 | A3 | Y2 | Analog Input Y2 |
| 13 | B3 | CB2 | Digital Control Input 2 |
| 14 | A4 | Y | Analog Output Y Common Terminal |
| — | — | EP | Exposed Pad. Connect to ground or leave unconnected. |

Detailed Description

The MAX4908/MAX4909/MAX4930/MAX4932 dual 3:1 clickless audio multiplexers are low 0.38Ω (typ) on-resistance, low 150nA (typ) supply current, high power-supply rejection ratio (PSRR) devices that operate from a +1.8V to +5.5V single supply. These devices feature a negative signal capability that allows signals below GND to pass through without distortion and break-before-make switching.

The MAX4908/MAX4909/MAX4930/MAX4932 use two digital control bits CB1 and CB2 to switch between signals (see Table 1). The MAX4908 has shunt resistors on all the unselected terminals to suppress click-and-pop sounds that may occur from switching to a pre-charged terminal. The MAX4909 does not have click-and-pop suppression resistors on X0 and Y0 terminals for applications that do not require pre-discharge switching. The MAX4930 only has shunt resistors on X2 and Y2 terminals. The MAX4932 has no shunt resistors on all terminals.

Table 1. Truth Table

| CB1 | CB2 | COMMON X | COMMON Y |
|-----|-----|-----------------|-----------------|
| 0 | 0 | High Impedance | High Impedance |
| 0 | 1 | Connected to X0 | Connected to Y0 |
| 1 | 0 | Connected to X1 | Connected to Y1 |
| 1 | 1 | Connected to X2 | Connected to Y2 |

Applications Information

Digital Control Inputs

The MAX4908/MAX4909/MAX4930/MAX4932 logic inputs accept up to +5.5V regardless of supply voltage. For example, with a +3.3V supply, CB_n can be driven low to GND and high to +5.5V, allowing for mixing of logic levels in a system. Driving CB_n rail-to-rail minimizes power consumption. For a +3.3V supply voltage, the logic thresholds are +0.5V (low) and +1.4V (high).

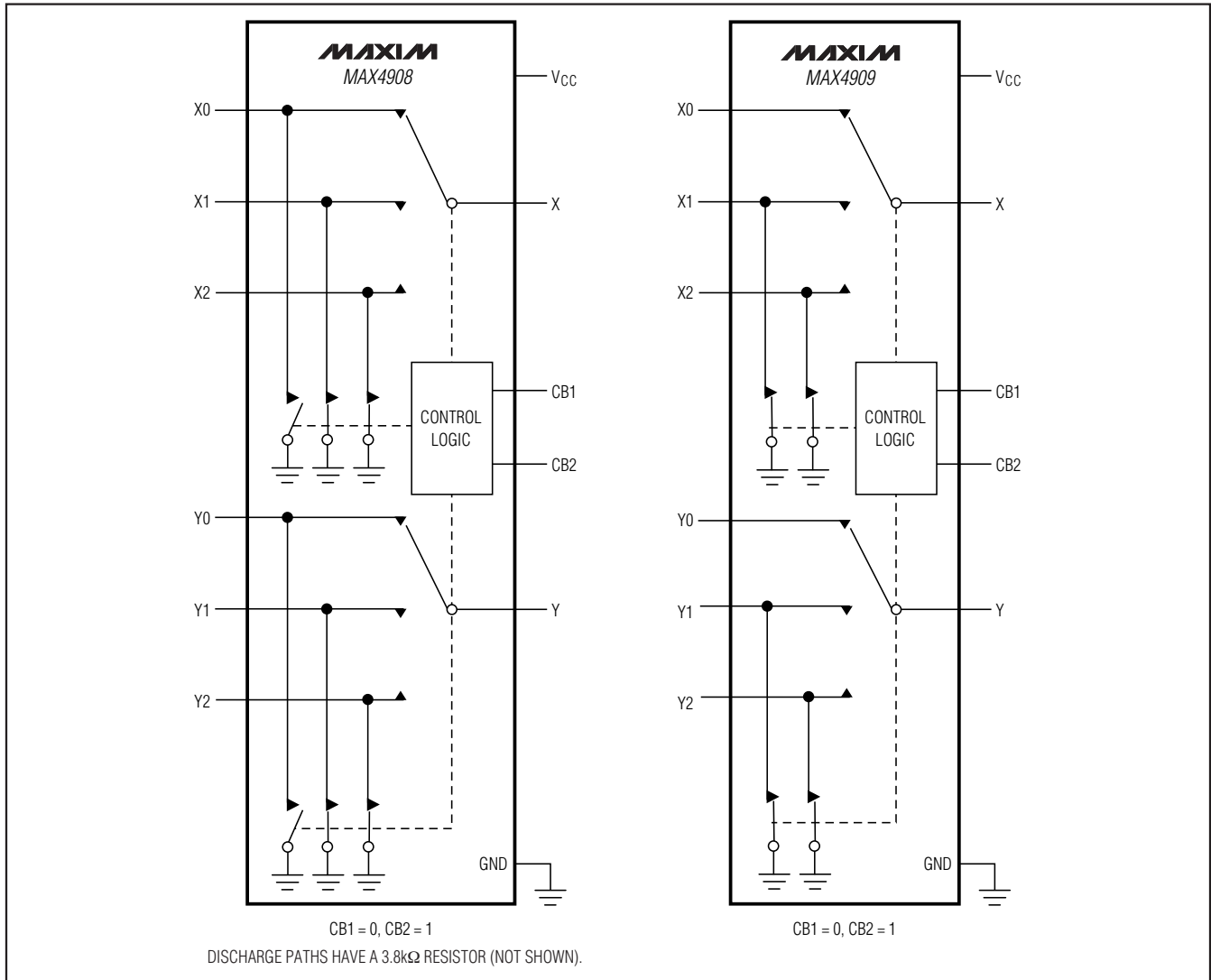
Analog Signal Levels

The MAX4908/MAX4909/MAX4930/MAX4932 have a low on-resistance of 0.38Ω (typ) and the on-resistance flatness is guaranteed over temperature and will show minimal variation over the entire voltage supply range (see the *Typical Operating Characteristics*). The on-resistance flatness and low-leakage features make it ideal for bidirectional operation. The switches are bidirectional, so X_n, Y_n, and common terminals X and Y pins can be either inputs or outputs.

These devices pass signals as low as V_{CC} - 5.5V, including signals below ground with minimal distortion.

Dual 3:1 Clickless Audio Multiplexers with Negative-Signal Handling

Functional Diagram



MAX4908/MAX4909/MAX4930/MAX4932

Click-Pop Suppression

The MAX4908 has a 3.8kΩ (typ) shunt resistor on all of its input terminals to automatically discharge any capacitance when they are not connected to common terminal X and Y. The MAX4909 has shunt resistors on all terminals except X0 and Y0. The MAX4930 only has shunt resistors on X2 and Y2. The shunt resistors reduce audible click-and-pop sounds that occur when switching between audio sources.

Audible clicks and pops are caused when a step DC voltage is switched into the speaker. The DC step transients can be reduced by automatically discharging the

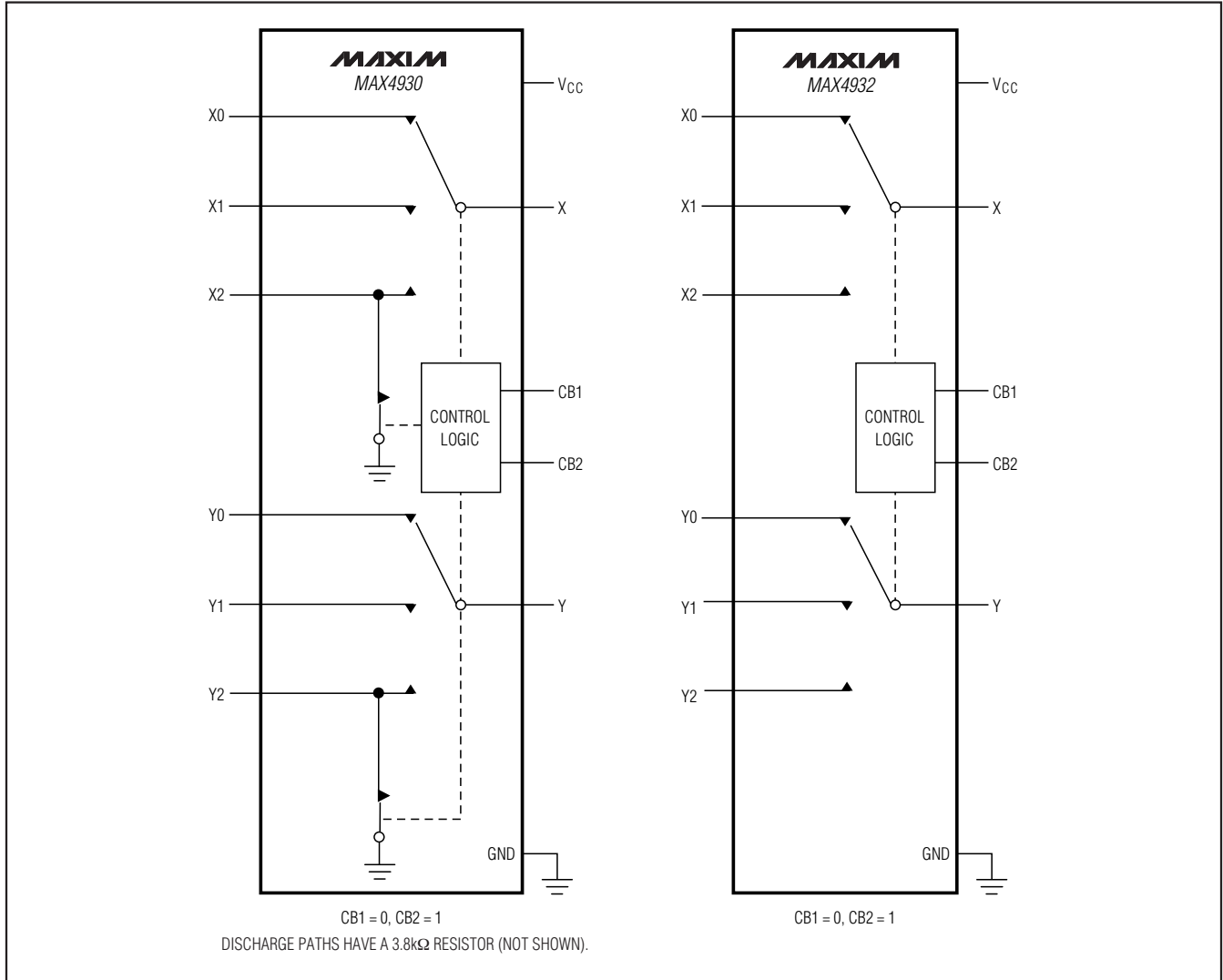
side that is not connected to the common terminal, thus reducing any residual DC voltage and clicks and pops.

Break-Before-Make Switching

The MAX4908/MAX4909/MAX4930/MAX4932 feature break-before-make switching, which is configured to break (open) the first set of contacts before engaging (closing) the new contacts. This prevents the momentary connection of the old and new signal paths to the output, further reducing click-and-pop sounds.

Dual 3:1 Clickless Audio Multiplexers with Negative-Signal Handling

Functional Diagram (continued)



Power-Supply Sequencing and Overvoltage Protection

Caution: Do not exceed the Absolute Maximum Ratings since stresses beyond the listed ratings may cause permanent damage to the device.

Proper power-supply sequencing is recommended for all CMOS devices. Improper supply sequencing can

force the switch into latchup, causing it to draw excessive supply current. The only way out of latchup is to recycle the power and reapply properly. Connect all ground pins first, apply power to VCC, and finally apply signals to X_n, Y_n, and common terminals. Follow the reverse order upon power-down.

Dual 3:1 Clickless Audio Multiplexers with Negative-Signal Handling

MAX4908/MAX4909/MAX4930/MAX4932

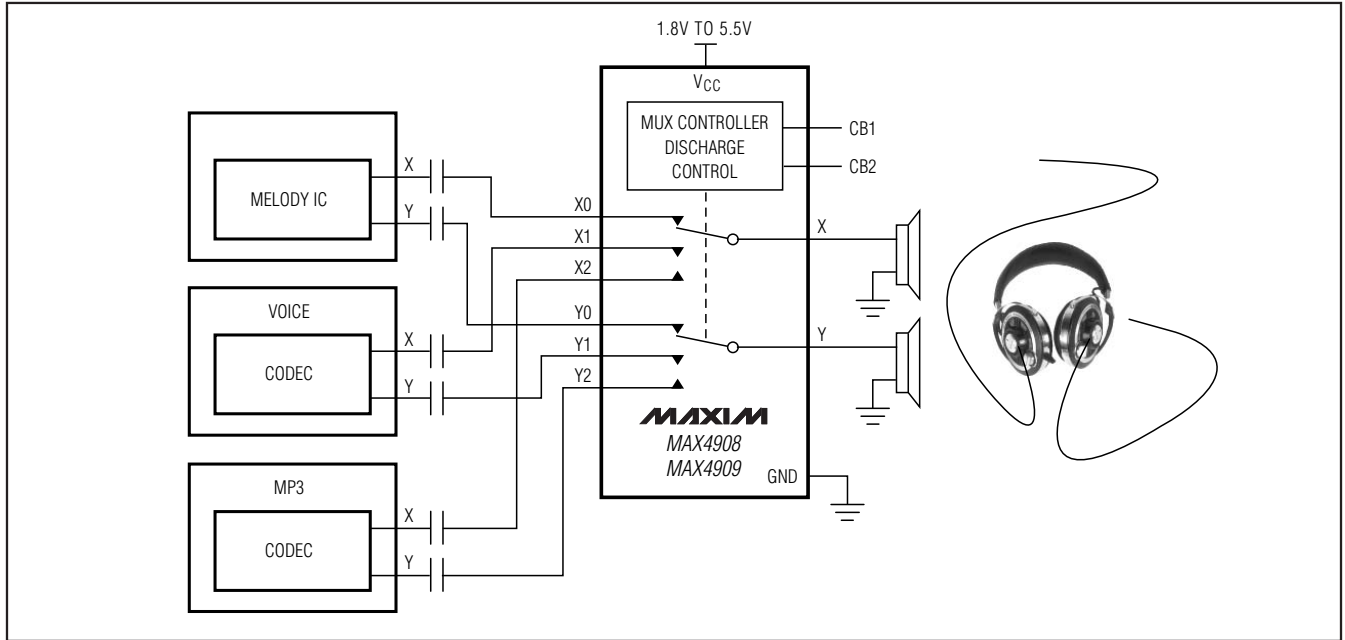


Figure 1. Typical Application Circuit

Dual 3:1 Clickless Audio Multiplexers with Negative-Signal Handling

Test Circuits/Timing Diagrams

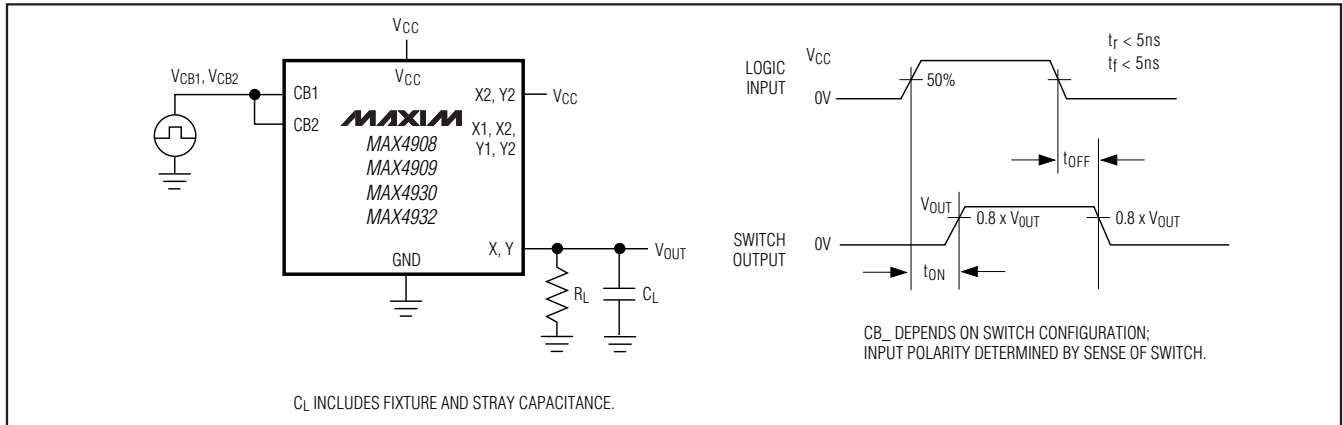


Figure 2. Switching Time

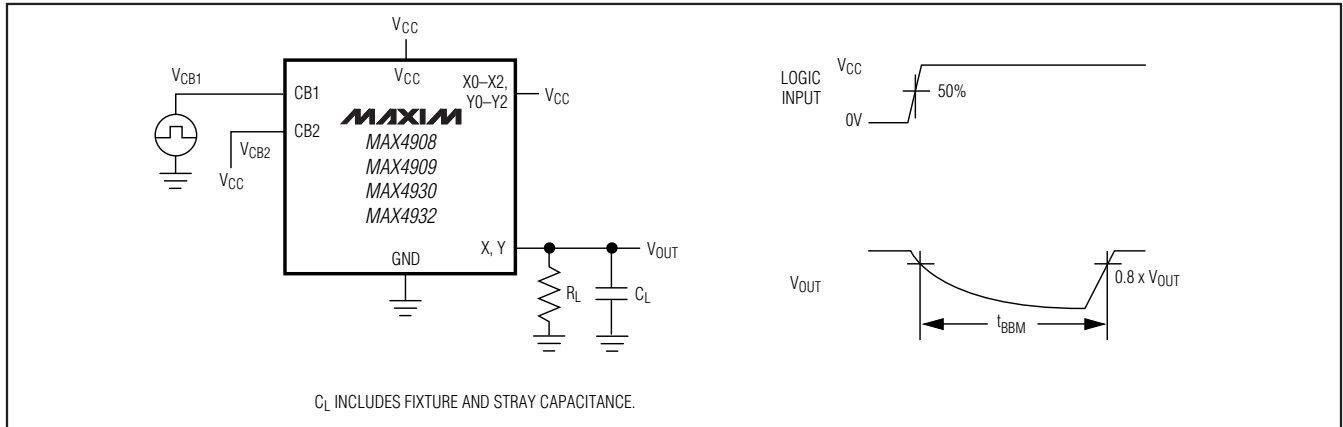


Figure 3. Break-Before-Make Interval

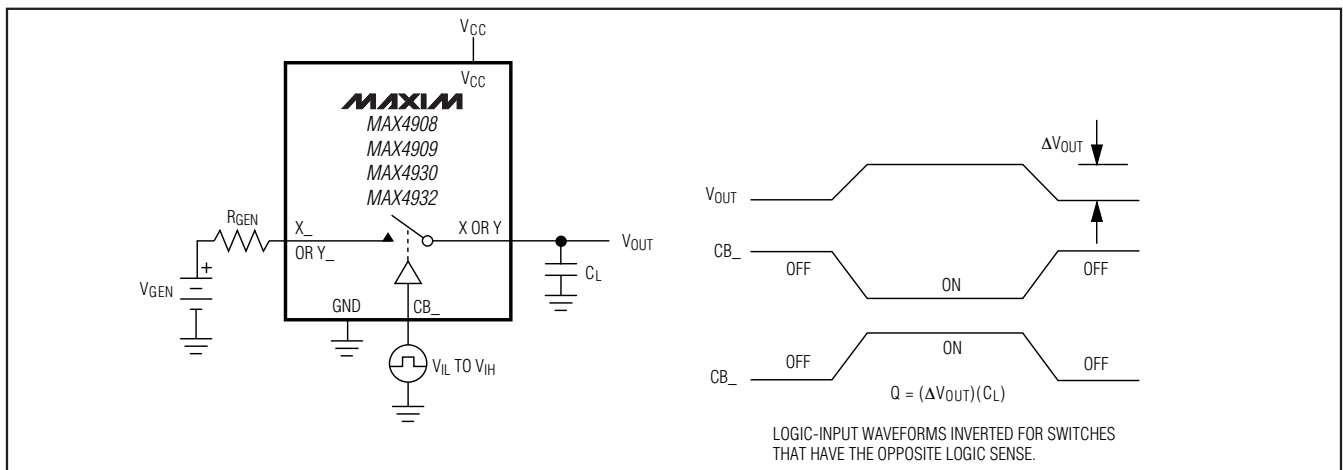


Figure 4. Charge Injection

Dual 3:1 Clickless Audio Multiplexers with Negative-Signal Handling

Test Circuits/Timing Diagrams (continued)

MAX4908/MAX4909/MAX4930/MAX4932

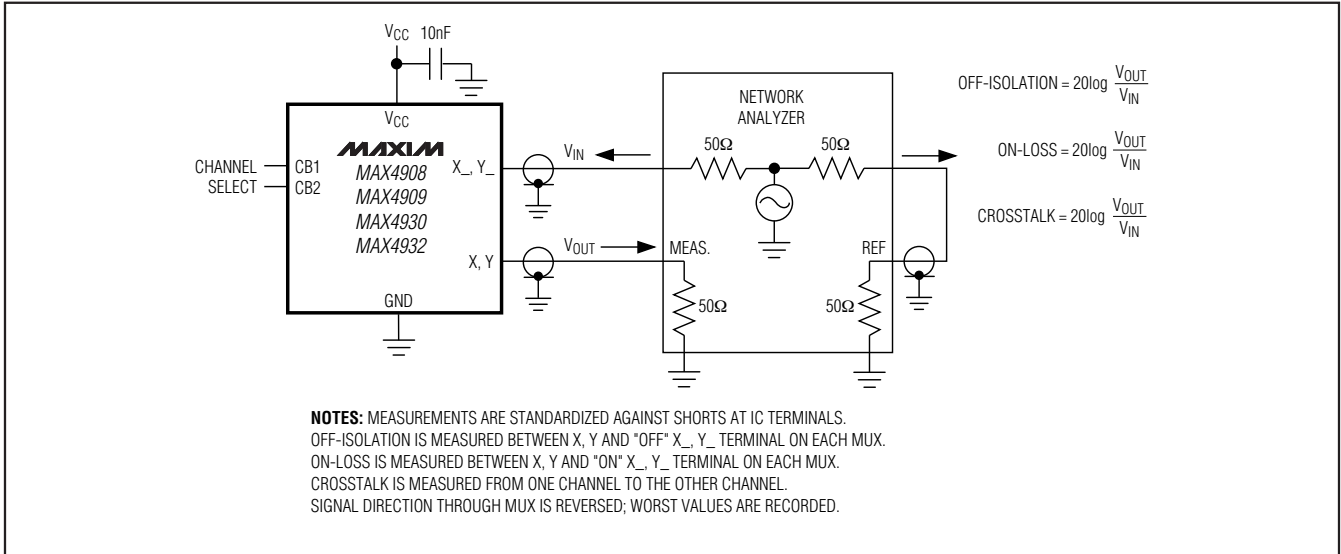


Figure 5. On-Loss, Off-Isolation, and Crosstalk

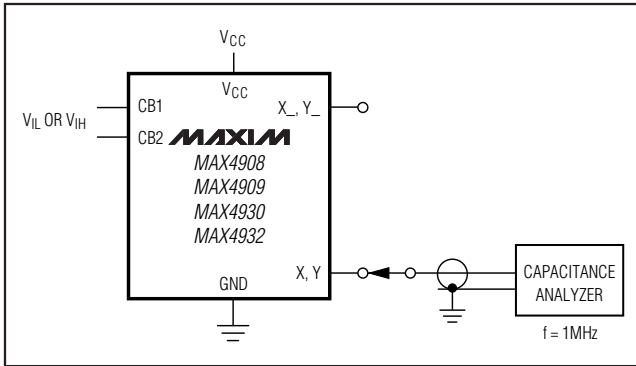


Figure 6. Channel Off/On-Capacitance

Chip Information

PROCESS: BiCMOS

Package Information

For the latest package outline information and land patterns, go to www.maxim-ic.com/packages.

| PACKAGE TYPE | PACKAGE CODE | DOCUMENT NO. |
|--------------|--------------|-------------------------|
| 14 TDFN | T1433-2 | 21-0137 |
| 12 WLP | W121B2-1 | 21-0009 |

Dual 3:1 Clickless Audio Multiplexers with Negative-Signal Handling

Revision History

| REVISION NUMBER | REVISION DATE | DESCRIPTION | PAGES CHANGED |
|-----------------|---------------|--------------------------------|---------------|
| 1 | 7/07 | Adding of the MAX4930/MAX4932 | 1-13 |
| 2 | 6/08 | Changing UCSP to WLP packaging | 1,2,6,8,11 |

Maxim cannot assume responsibility for use of any circuitry other than circuitry entirely embodied in a Maxim product. No circuit patent licenses are implied. Maxim reserves the right to change the circuitry and specifications without notice at any time.

12 **Maxim Integrated Products, 120 San Gabriel Drive, Sunnyvale, CA 94086 408-737-7600**



Стандарт Электрон Связь

Мы молодая и активно развивающаяся компания в области поставок электронных компонентов. Мы поставляем электронные компоненты отечественного и импортного производства напрямую от производителей и с крупнейших складов мира.

Благодаря сотрудничеству с мировыми поставщиками мы осуществляем комплексные и плановые поставки широчайшего спектра электронных компонентов.

Собственная эффективная логистика и склад в обеспечивает надежную поставку продукции в точно указанные сроки по всей России.

Мы осуществляем техническую поддержку нашим клиентам и предпродажную проверку качества продукции. На все поставляемые продукты мы предоставляем гарантию .

Осуществляем поставки продукции под контролем ВП МО РФ на предприятия военно-промышленного комплекса России , а также работаем в рамках 275 ФЗ с открытием отдельных счетов в уполномоченном банке. Система менеджмента качества компании соответствует требованиям ГОСТ ISO 9001.

Минимальные сроки поставки, гибкие цены, неограниченный ассортимент и индивидуальный подход к клиентам являются основой для выстраивания долгосрочного и эффективного сотрудничества с предприятиями радиоэлектронной промышленности, предприятиями ВПК и научно-исследовательскими институтами России.

С нами вы становитесь еще успешнее!

Наши контакты:

Телефон: +7 812 627 14 35

Электронная почта: sales@st-electron.ru

Адрес: 198099, Санкт-Петербург,
Промышленная ул, дом № 19, литера Н,
помещение 100-Н Офис 331