

Overview

KEMET's PEG127 is an electrolytic capacitor with an outstanding electrical performance. The device has a polarized all-welded design, tinned copper wire leads, a negative pole connected to the case, and a plastic insulation. The PEG127 winding is housed in a cylindrical aluminum can with a high purity aluminum lid and high quality rubber gasket, as well as high temperature capability in small case sizes. The PEG127 has 1,600 hours operational life at +150°C for all case sizes. KEMET's automotive grade capacitors meet the demanding Automotive Electronics Council's AEC-Q200 qualification requirements.

Applications

KEMET's PEG127 is a high performance axial electrolytic capacitor. It is designed for automotive applications, with high demands on resistance to vibrations and high ambient temperature.

Benefits

- AEC-Q200 automotive qualified
- 1,600 hours at +150°C
- Resistance to vibrations
- Resistance to high ambient temperature
- High ripple capability
- Polarized all-welded design
- Outstanding electrical performance



Part Number System

| PEG127 | H | A | 318 | 0 | Q | T1 |
|-----------------------------|----------------------------|---------------------|---|--------------|-----------------------|----------------------------|
| Series | Rated Voltage (VDC) | Size Code | Capacitance Code (µF) | Version | Capacitance Tolerance | Packaging |
| Axial Aluminum Electrolytic | H = 25 K = 40 M = 63 | See Dimension Table | The last two digits represent significant figures. The first digit indicates the total number digits. | 0 = Standard | Q = -10/+30% | See Ordering Options Table |

Performance Characteristics

| Item | Performance Characteristics | |
|-------------------------------|---|--|
| Capacitance Range | 33 – 1,300 μ F | |
| Rated Voltage | 25 – 63 VDC | |
| Operating Temperature | -40 to +150°C | |
| Capacitance Tolerance | -10/+30% at 100 Hz/+20°C | |
| Shelf Life | 5,000 hours at +105°C or 10 years at +40°C 0 VDC | |
| Leakage Current | $I = 0.003 CV + 4.0$ (μ A) | |
| | C = rated capacitance (μ F), V = rated voltage (VDC). Voltage applied for 5 minutes at +20°C. | |
| Vibration Test Specifications | Procedure | Requirements |
| | 1.5 mm displacement amplitude or 20 g maximum acceleration. Vibration applied for three 2-hour sessions at 10 – 2,000 Hz (capacitor clamped by body). | No leakage of electrolyte or other visible damage. Deviations in capacitance from initial measurements must not exceed: $\Delta C/C < 5\%$ |
| Standards | IEC 60384-4 long life grade 40/125/56, AEC-Q200 | |

Compensation Factor of Ripple Current (RC) vs. Frequency

| | | | | | |
|-------------|--------|--------|-------|-------|---------|
| Frequency | 100 Hz | 300 Hz | 1 kHz | 5 kHz | 100 kHz |
| Coefficient | 0.35 | 0.57 | 0.80 | 1.00 | 1.04 |

Compensation Factor of ESR (5 kHz,+125°C) vs. Frequency

| | | | | |
|-------------|--------|-------|-------|---------|
| Frequency | 300 Hz | 1 kHz | 5 kHz | 100 kHz |
| Coefficient | 2.5 | 1.4 | 1.0 | 0.9 |

Compensation Factor of ESR (5 kHz,+125°C) vs. Temperature

| | | | | |
|-------------|-------|------|-------|-------|
| Frequency | -10°C | 60°C | 105°C | 125°C |
| Coefficient | 5.00 | 1.50 | 1.1 | 1 |

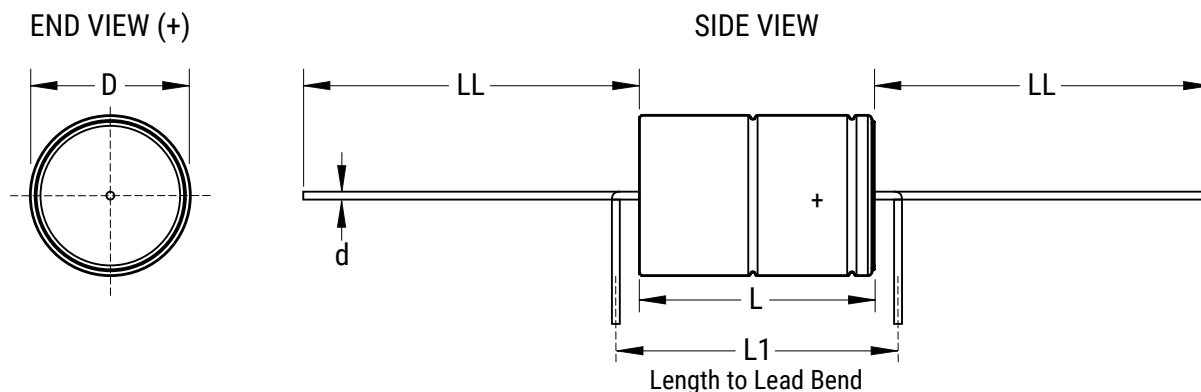
Test Method & Performance

| Endurance Life Test | |
|------------------------------|--|
| Conditions | Performance |
| Temperature | +150°C |
| Test Duration | 1,600 hours |
| Ripple Current | Maximum ripple current specified in table |
| Voltage | The sum of DC voltage and the peak AC voltage must not exceed the rated voltage of the capacitor |
| Performance | The following specifications will be satisfied when the capacitor is tested at +20°C: |
| Capacitance Change | Within 15% of the initial value |
| Equivalent Series Resistance | Does not exceed 200% of the initial value |
| Leakage Current | Does not exceed leakage current limit |

Ordering Options Table

| Packaging Kind | Lead Length (mm) | Lead and Packaging Code |
|----------------------------|---------------------|-------------------------|
| Standard Packaging Options | | |
| Bulk (box) | 42 +3/-2 | L1 |
| Tape & Reel | See Dimension Table | T1 |

Dimensions – Millimeters



| Size Code | Dimensions in mm | | | | Bulk | Taped | Approximate Weight Grams |
|-----------|------------------|------|---------|-------|-------|-------|--------------------------|
| | D | L | L1 | d | LL | LL | |
| | ±0.5 | ±1 | Minimum | ±0.03 | +3/-2 | +3/-2 | |
| A | 10 | 20.0 | 26.0 | 0.8 | 42 | 31 | 3 |
| B | 10 | 29.0 | 35.0 | 0.8 | 42 | 27 | 4 |
| C | 13 | 20.0 | 26.0 | 0.8 | 42 | 31 | 4 |
| D | 13 | 29.0 | 35.0 | 0.8 | 42 | 27 | 6 |
| E | 13 | 37.0 | 43.0 | 0.8 | 42 | 24 | 7 |

Note: L1 is KEMET's recommendation for minimum distance between symmetrical lead bend. Available only for customer specific part numbers. Lead bend dimensions must be specified and confirmed per article.

Shelf Life

The capacitance, ESR and impedance of a capacitor will not change significantly after extended storage periods, however the leakage current will very slowly increase. KEMET products are particularly stable and allow a shelf life in excess of ten years at 40°C. See sectional specification under each product series for specific data.

Failure Rate

Estimated field failure rate: ≤ 0.15 ppm (failures per year/produced number of capacitors per year).

The expected failure rate for this capacitor range is based on field experience for capacitors with structural similarity.

Environmental Compliance



All Part Numbers in this datasheet are Reach and RoHS compliant and Halogen-Free.

As an environmentally conscious company, KEMET is working continuously with improvements concerning the environmental effects of both our capacitors and their production.

In Europe (RoHS Directive) and in some other geographical areas such as China, legislation has been put in place to prevent the use of some hazardous materials, such as lead (Pb), in electronic equipment. All products in this catalog are produced to help our customers' obligations to guarantee their products and fulfill these legislative requirements. The only material of concern in our products has been lead (Pb), which has been removed from all designs to fulfill the requirement of containing less than 0.1% of lead in any homogeneous material. KEMET will closely follow any changes in legislation worldwide and make any necessary changes in its products, whenever needed.

Some customer segments such as medical, military and automotive electronics may still require the use of lead in electrode coatings. To clarify the situation and distinguish products from each other, a special symbol is used on the packaging labels for RoHS compatible capacitors.

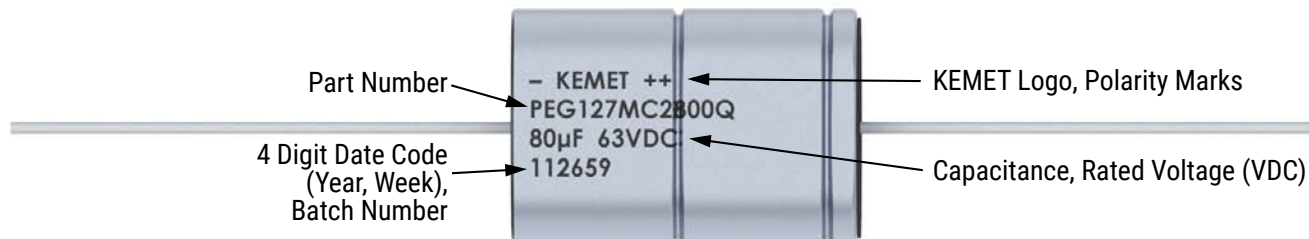
Due to customer requirements, there may appear additional markings such as lead-free (LF), or lead-free wires (LFW) on the label.

Table 1 – Ratings & Part Number Reference

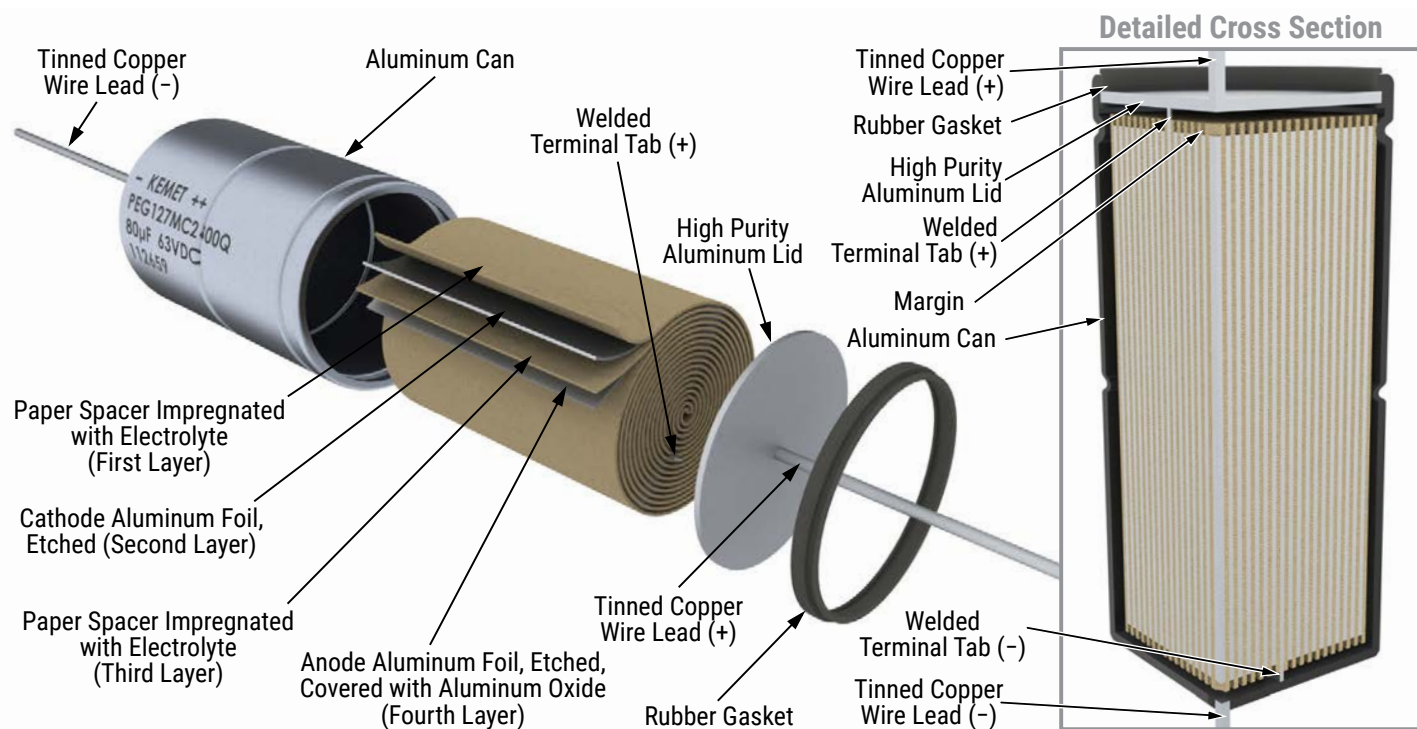
| VDC | Rated Capacitance 100 Hz 20°C (µF) | Size Code | Case Size D x L (mm) | Ripple Current Maximum | | | | ESR Maximum | | | Part Number |
|-----|--|-----------|-------------------------|------------------------|----------------------|----------------------|----------------------|---------------------|----------------------|---------------------------------|------------------|
| | | | | ≥ 5 kHz 100°C (A) | ≥ 5 kHz 125°C (A) | ≥ 5 kHz 140°C (A) | ≥ 5 kHz 150°C (A) | 100 Hz 20°C (mΩ) | 100 kHz 20°C (mΩ) | 5 – 100 kHz 125 – 150°C (mΩ) | |
| 25 | 180 | A | 10 x 20 | 2.4 | 1.7 | 1.1 | 0.49 | 560 | 255 | 80 | PEG127HA3180Q(1) |
| 25 | 360 | B | 10 x 29 | 3.5 | 2.5 | 1.6 | 0.71 | 281 | 130 | 43 | PEG127HB3360Q(1) |
| 25 | 470 | C | 13 x 20 | 3.8 | 2.8 | 1.8 | 0.79 | 226 | 110 | 40 | PEG127HC3470Q(1) |
| 25 | 900 | D | 13 x 29 | 5.6 | 4.0 | 2.6 | 1.15 | 118 | 58 | 23 | PEG127HD3900Q(1) |
| 25 | 1300 | E | 13 x 37 | 6.6 | 4.8 | 3.0 | 1.35 | 85 | 42 | 18 | PEG127HE4130Q(1) |
| 40 | 110 | A | 10 x 20 | 2.3 | 1.7 | 1.1 | 0.48 | 710 | 240 | 82 | PEG127KA3110Q(1) |
| 40 | 220 | B | 10 x 29 | 3.4 | 2.5 | 1.6 | 0.70 | 360 | 125 | 45 | PEG127KB3220Q(1) |
| 40 | 270 | C | 13 x 20 | 3.7 | 2.7 | 1.7 | 0.77 | 301 | 110 | 42 | PEG127KC3270Q(1) |
| 40 | 520 | D | 13 x 29 | 5.4 | 3.9 | 2.5 | 1.11 | 157 | 58 | 24 | PEG127KD3520Q(1) |
| 40 | 750 | E | 13 x 37 | 6.5 | 4.7 | 3.0 | 1.32 | 110 | 42 | 19 | PEG127KE3750Q(1) |
| 63 | 33 | A | 10 x 20 | 1.6 | 1.1 | 0.7 | 0.32 | 1700 | 370 | 181 | PEG127MA2330Q(1) |
| 63 | 68 | B | 10 x 29 | 2.4 | 1.7 | 1.1 | 0.49 | 825 | 185 | 92 | PEG127MB2680Q(1) |
| 63 | 80 | C | 13 x 20 | 2.7 | 1.9 | 1.2 | 0.55 | 704 | 160 | 82 | PEG127MC2800Q(1) |
| 63 | 160 | D | 13 x 29 | 4.0 | 2.9 | 1.8 | 0.83 | 354 | 82 | 44 | PEG127MD3160Q(1) |
| 63 | 230 | E | 13 x 37 | 4.9 | 3.5 | 2.2 | 1.00 | 250 | 59 | 32 | PEG127ME3230Q(1) |
| VDC | Rated Capacitance | Size Code | Case Size | Ripple Current | | | | ESR | | | Part Number |

(1) Insert packaging code. See Ordering Options Table for available options.

Marking



Construction



Construction Data

The manufacturing process begins with the anode foil being electrochemically etched to increase the surface area and then “formed” to produce the aluminum oxide layer. Both the anode and cathode foils are then interleaved with absorbent paper and wound into a cylinder. During the winding process, aluminum tabs are attached to each foil to provide the electrical contact.

The winding is assembled to the capacitor Al-can and to the Al-lid. The can is filled with electrolyte and the winding is impregnated during a vacuum treatment. The capacitor is sealed. Throughout the process, all materials inside the housing must be maintained at the highest purity and be compatible with the electrolyte.

Each capacitor is aged and tested before being packed. The purpose of aging is to repair any damage in the oxide layer and thus reduce the leakage current to a very low level. Aging is carried out at elevated temperature and is accomplished by applying voltage to the device while carefully controlling the supply current. The process takes between 2 and 20 hours, depending on voltage rating.

Damage to the oxide layer can occur due to a variety of reasons:

- Slitting of the anode foil after forming
- Attaching the tabs to the anode foil
- Minor mechanical damage caused during winding

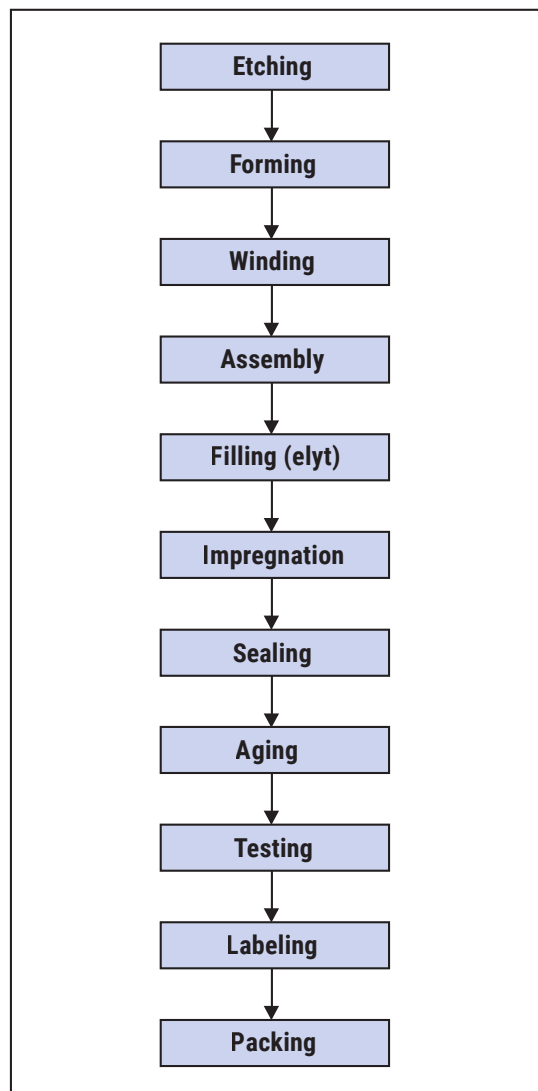
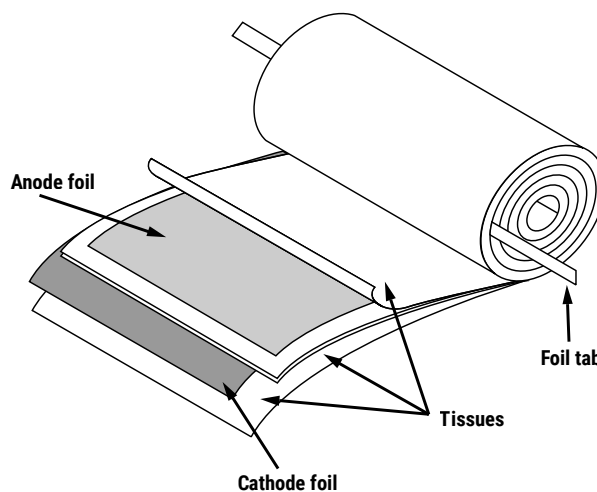
The following tests are applied for each individual capacitor.

Electrical:

- Leakage current
- Capacitance
- ESR
- Tan Delta

Mechanical/Visual:

- Pull strength test of wire terminals
- Print detail
- Box labels
- Packaging, including packed quantity



KEMET Electronics Corporation Sales Offices

For a complete list of our global sales offices, please visit www.kemet.com/sales.

Disclaimer

All product specifications, statements, information and data (collectively, the "Information") in this datasheet are subject to change. The customer is responsible for checking and verifying the extent to which the Information contained in this publication is applicable to an order at the time the order is placed. All Information given herein is believed to be accurate and reliable, but it is presented without guarantee, warranty, or responsibility of any kind, expressed or implied.

Statements of suitability for certain applications are based on KEMET Electronics Corporation's ("KEMET") knowledge of typical operating conditions for such applications, but are not intended to constitute – and KEMET specifically disclaims – any warranty concerning suitability for a specific customer application or use. The Information is intended for use only by customers who have the requisite experience and capability to determine the correct products for their application. Any technical advice inferred from this Information or otherwise provided by KEMET with reference to the use of KEMET's products is given gratis, and KEMET assumes no obligation or liability for the advice given or results obtained.

Although KEMET designs and manufactures its products to the most stringent quality and safety standards, given the current state of the art, isolated component failures may still occur. Accordingly, customer applications which require a high degree of reliability or safety should employ suitable designs or other safeguards (such as installation of protective circuitry or redundancies) in order to ensure that the failure of an electrical component does not result in a risk of personal injury or property damage.

Although all product-related warnings, cautions and notes must be observed, the customer should not assume that all safety measures are indicated or that other measures may not be required.

KEMET is a registered trademark of KEMET Electronics Corporation.



Стандарт Электрон Связь

Мы молодая и активно развивающаяся компания в области поставок электронных компонентов. Мы поставляем электронные компоненты отечественного и импортного производства напрямую от производителей и с крупнейших складов мира.

Благодаря сотрудничеству с мировыми поставщиками мы осуществляем комплексные и плановые поставки широчайшего спектра электронных компонентов.

Собственная эффективная логистика и склад в обеспечивает надежную поставку продукции в точно указанные сроки по всей России.

Мы осуществляем техническую поддержку нашим клиентам и предпродажную проверку качества продукции. На все поставляемые продукты мы предоставляем гарантию .

Осуществляем поставки продукции под контролем ВП МО РФ на предприятия военно-промышленного комплекса России , а также работаем в рамках 275 ФЗ с открытием отдельных счетов в уполномоченном банке. Система менеджмента качества компании соответствует требованиям ГОСТ ISO 9001.

Минимальные сроки поставки, гибкие цены, неограниченный ассортимент и индивидуальный подход к клиентам являются основой для выстраивания долгосрочного и эффективного сотрудничества с предприятиями радиоэлектронной промышленности, предприятиями ВПК и научно-исследовательскими институтами России.

С нами вы становитесь еще успешнее!

Наши контакты:

Телефон: +7 812 627 14 35

Электронная почта: sales@st-electron.ru

Адрес: 198099, Санкт-Петербург,
Промышленная ул, дом № 19, литера Н,
помещение 100-Н Офис 331