



Low-Cost, Low-Voltage, Quad, SPST, CMOS Analog Switches

General Description

The MAX4066/MAX4066A quad, SPST, CMOS analog switches are designed to provide superior performance over the industry-standard devices. These new switches feature guaranteed operation from +2.0V to +16V and are fully specified at 3V, 5V, and 12V. Both parts offer 45Ω on-resistance and 2Ω channel-to-channel matching at 12V, plus 4Ω flatness over the specified signal range.

Each device is controlled by TTL/CMOS input levels and can be used as a bilateral switch or multiplexer/demultiplexer.

Low off leakage current (100pA for the MAX4066A) and low power consumption (0.5μW) make the MAX4066/MAX4066A ideal for battery-operated equipment. These parts are also suitable for low-distortion audio applications. Both devices are available in 14-pin DIP and SO packages, as well as a 16-pin QSOP. ESD protection is greater than 2000V per Method 3015.7.

Applications

Battery-Operated Equipment
 Audio and Video Signal Routing
 Low-Voltage Data-Acquisition Systems
 Sample-and-Hold Circuits
 Communication Circuits

Features

- ♦ Pin Compatible with 74HC4066
- ♦ Guaranteed On-Resistance:
 170Ω max (3V supply)
 45Ω max (12V supply)
- ♦ Guaranteed Match Between Channels:
 4Ω max (MAX4066)
 2Ω max (MAX4066A)
- ♦ Guaranteed Low Leakage Currents:
 1nA at +25°C (MAX4066)
 100pA at +25°C (MAX4066A)
- ♦ Single-Supply Operation from +2.0V to +16V
- ♦ V+ to GND Signal Handling
- ♦ TTL/CMOS-Logic Compatible
- ♦ Low Power Consumption: 0.5μW
- ♦ Low Crosstalk: -86dB
- ♦ Low Off Isolation: -58dB
- ♦ Low Distortion: 0.03%
- ♦ Wide Bandwidth: > 100MHz

MAX4066/MAX4066A

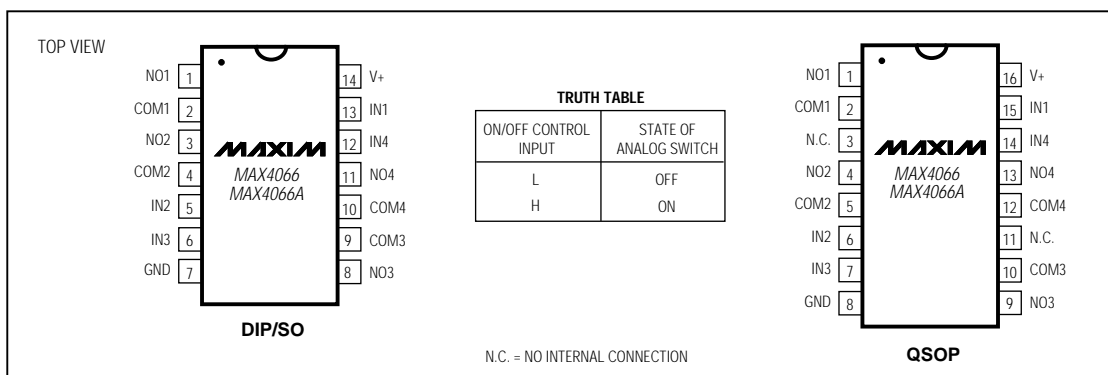
Ordering Information

PART	TEMP. RANGE	PIN-PACKAGE
MAX4066CPD	0°C to +70°C	14 Plastic DIP
MAX4066CSD	0°C to +70°C	14 Narrow SO
MAX4066CEE	0°C to +70°C	16 QSOP
MAX4066C/D	0°C to +70°C	Dice*

Ordering Information continued at end of data sheet.

* Contact factory for dice specifications.

Pin Configurations/Truth Table



Low-Cost, Low-Voltage, Quad, SPST, CMOS Analog Switches

ABSOLUTE MAXIMUM RATINGS

(Voltages referenced to GND)

V+	-0.3V to +17V	CERDIP (derate 9.09mW/°C above +70°C)	727mW
V _{IN} , V _{COM} , V _{NO} (Note 1)	-0.3V to (V + +0.3V)	Operating Temperature Ranges	
Current (any terminal)	30mA	MAX4066C_/MAX4066AC_	0°C to +70°C
Peak Current (any terminal)	100mA	MAX4066E_/MAX4066AE_	-40°C to +85°C
ESD per Method 3015.7	>2000V	MAX4066MJD/MAX4066AMJD	-55°C to +125°C
Continuous Power Dissipation (T _A = +70°C)		Storage Temperature Range	-65°C to +150°C
Plastic DIP (derate 10.00mW/°C above +70°C)	800mW	Lead Temperature (soldering, 10sec)	+300°C
Narrow SO (derate 8.00mW/°C above +70°C)	640mW		
QSOB (derate 9.52mW/°C above +70°C)	762mW		

Note 1: Signals on NO₋, COM₋, or IN₋ exceeding V+ or GND are clamped by internal diodes. Limit forward-diode current to maximum current rating.

Stresses beyond those listed under "Absolute Maximum Ratings" may cause permanent damage to the device. These are stress ratings only, and functional operation of the device at these or any other conditions beyond those indicated in the operational sections of the specifications is not implied. Exposure to absolute maximum rating conditions for extended periods may affect device reliability.

ELECTRICAL CHARACTERISTICS—Single +12V Supply

(V+ = 12V ±10%, GND = 0V, V_{INH} = 4.0V, V_{INL} = 0.8V, T_A = T_{MIN} to T_{MAX}, unless otherwise noted.)

PARAMETER	SYMBOL	CONDITIONS		MIN	TYP (Note 2)	MAX	UNITS
ANALOG SWITCH							
Analog Signal Range	V _{COM} , V _{NO}	(Note 3)		0		V+	V
On-Resistance	R _{ON}	V+ = 12V, I _{COM} = 2mA, V _{NO} = 10V	T _A = +25°C		16	45	Ω
			T _A = T _{MIN} to T _{MAX}	C, E		55	
				M		75	
On-Resistance Match Between Channels (Note 4)	ΔR _{ON}	V+ = 12V, I _{COM} = 2mA, V _{NO} = 10V	T _A = +25°C	MAX4066	0.5	4	Ω
				MAX4066A	0.5	2	
			T _A = T _{MIN} to T _{MAX}			6	
On-Resistance Flatness (Note 5)	R _{FLAT(ON)}	V+ = 12V, I _{COM} = 2mA, V _{NO} = 10V, 5V, 1V	T _A = +25°C		2	4	Ω
			T _A = T _{MIN} to T _{MAX}			6	
NO or NC Off Leakage Current (Note 6)	I _{NO(OFF)}	V+ = 12V, V _{COM} = 0V, V _{NO} = 10V	T _A = +25°C	MAX4066	-1	1	nA
				MAX4066A	-0.1	0.1	
			T _A = T _{MIN} to T _{MAX}	C, E	-6	6	
M	-100	100					
COM Off Leakage Current (Note 6)	I _{COM(OFF)}	V+ = 12V, V _{COM} = 0V, V _{NO} = 10V	T _A = +25°C	MAX4066	-1	1	nA
				MAX4066A	-0.1	0.1	
			T _A = T _{MIN} to T _{MAX}	C, E	-6	6	
M	-100	100					
COM On Leakage Current (Note 6)	I _{COM(ON)}	V+ = 12V, V _{COM} = 10V, V _{NO} = 10V	T _A = +25°C	MAX4066	-2	2	nA
				MAX4066A	-0.2	0.2	
			T _A = T _{MIN} to T _{MAX}	C, E	-12	12	
M	-200	200					

Low-Cost, Low-Voltage, Quad, SPST, CMOS Analog Switches

ELECTRICAL CHARACTERISTICS—Single +12V Supply (continued)

(V+ = 12V ±10%, GND = 0V, VINH = 4.0V, VINL = 0.8V, TA = TMIN to TMAX, unless otherwise noted.)

PARAMETER	SYMBOL	CONDITIONS		MIN	TYP (Note 2)	MAX	UNITS
LOGIC INPUT							
Input Current with Input Voltage High	I _{INH}	IN = 5.0V, all others = 0.8V		-0.5	0.005	0.5	μA
Input Current with Input Voltage Low	I _{INL}	IN = 0.8V, all others = 5.0V		-0.5	0.005	0.5	μA
DYNAMIC							
Turn-On Time	t _{ON}	V _{COM} = 10V, Figure 2	TA = +25°C	25	100		ns
			TA = T _{MIN} to T _{MAX}		150		
Turn-Off Time	t _{OFF}	V _{COM} = 10V, Figure 2	TA = +25°C	15	75		ns
			TA = T _{MIN} to T _{MAX}		100		
On-Channel Bandwidth	BW	Signal = 0dbm, Figure 4, 50Ω in and out	TA = +25°C	100			MHz
Charge Injection (Note 3)	V _{CTE}	CL = 1.0nF, V _{GEN} = 0V, R _{GEN} = 0Ω, Figure 3	TA = +25°C	1	10		pC
Off Isolation (Note 7)	V _{ISO}	RL = 50Ω, CL = 5pF, f = 1MHz, Figure 4	TA = +25°C	-58			dB
Crosstalk (Note 8)	V _{CT}	RL = 50Ω, CL = 5pF, f = 1MHz, Figure 5	TA = +25°C	-86			dB
NO Capacitance	C _(OFF)	f = 1MHz, Figure 6	TA = +25°C	9			pF
COM Off Capacitance	C _{COM(OFF)}	f = 1MHz, Figure 6	TA = +25°C	9			pF
COM On Capacitance	C _{COM(ON)}	f = 1MHz, Figure 6	TA = +25°C	22			pF
SUPPLY							
Power-Supply Range							V
Supply Current	I+	V _{IN} = 0V or V+, all channels on or off	TA = T _{MIN} to T _{MAX}	-1	0.001	1	μA
Total Harmonic Distortion	THD		TA = T _{MIN} to T _{MAX}	0.03			%

MAX4066/MAX4066A

Low-Cost, Low-Voltage, Quad, SPST, CMOS Analog Switches

MAX4066/MAX4066A

ELECTRICAL CHARACTERISTICS—Single +5V Supply

(V+ = 5V ±10%, V- = 0V ±10%, GND = 0V, VINH = 2.4V, VINL = 0.8V, TA = TMIN to TMAX, unless otherwise noted.)

PARAMETER	SYMBOL	CONDITIONS		MIN	TYP (Note 2)	MAX	UNITS
ANALOG SWITCH							
Analog Signal Range	V _{COM} , V _{NO}	(Note 3)		0		V+	V
On-Resistance	R _{ON}	V+ = 4.5V, I _{COM} = -1.0mA, V _{NO} = 3.5V	TA = +25°C		45	75	Ω
			TA = T _{MIN} to T _{MAX}	C, E	52	100	
				M		125	
On-Resistance Match Between Channels (Note 4)	ΔR _{ON}	V+ = 5V, I _{COM} = -1.0mA, V _{NO} = 3V	TA = +25°C		0.3	4	Ω
			TA = T _{MIN} to T _{MAX}			12	
On-Resistance Flatness (Notes 3, 5)	RELAT(ON)	V+ = 5V, I _{COM} = -1.0mA, V _{NO} = 1V, 3V	TA = +25°C		4	6	Ω
			TA = T _{MIN} to T _{MAX}			8	
NO Off Leakage Current (Note 6)	I _{NO(OFF)}	V+ = 5.5V, V _{COM} = 0V, V _{NO} = 4.5V	TA = +25°C	MAX4066	-1	1	nA
				MAX4066A	-0.1	0.1	
			TA = T _{MIN} to T _{MAX}	C, E	-6	6	
				M	-100	100	
COM Off Leakage Current (Note 6)	I _{COM(OFF)}	V+ = 5.5V, V _{COM} = 0V, V _{NO} = 4.5V	TA = +25°C	MAX4066	-1	1	nA
				MAX4066A	-0.1	0.1	
			TA = T _{MIN} to T _{MAX}	C, E	-6	6	
				M	-100	100	
COM On Leakage Current (Note 6)	I _{COM(ON)}	V+ = 5.5V, V _{COM} = 5V, V _{NO} = 4.5V	TA = +25°C	MAX4066	-2	2	nA
				MAX4066A	-0.2	0.2	
			TA = T _{MIN} to T _{MAX}	C, E	-12	12	
				M	-200	200	
DYNAMIC							
Turn-On Time	t _{ON}	V _{NO} = 3V	TA = +25°C		43	125	ns
			TA = T _{MIN} to T _{MAX}			175	
Turn-Off Time	t _{OFF}	V _{NO} = 3V	TA = +25°C		18	75	ns
			TA = T _{MIN} to T _{MAX}			125	
On-Channel Bandwidth	BW	Signal = 0dBm, 50Ω in and out, Figure 4			100		MHz
Charge Injection (Note 3)	Q	V _{GEN} = 0V, R _{GEN} = 0V, C _L = 1.0nF, Figure 3		TA = +25°C	2	10	pC
SUPPLY							
Positive Supply Current	I+	V+ = 5.5V, V _{IN} = 0V or V+, all channels on or off			-1	1	μA

Low-Cost, Low-Voltage, Quad, SPST, CMOS Analog Switches

MAX4066/MAX4066A

ELECTRICAL CHARACTERISTICS—Single +3V Supply

($V_+ = 2.7V$ to $3.3V \pm 10\%$, $GND = 0V$, $V_{INH} = 2.4V$, $V_{INL} = 0.8V$, $T_A = T_{MIN}$ to T_{MAX} , unless otherwise noted.)

PARAMETER	SYMBOL	CONDITIONS		MIN	TYP (Note 2)	MAX	UNITS
ANALOG SWITCH							
Analog Signal Range	V_{COM} , V_{NO}	(Note 3)		0		V_+	V
Channel On-Resistance	R_{ON}	$V_+ = 3V$, $I_{COM} = -1.0mA$, $V_{NO} = 1.5V$	$T_A = +25^\circ C$			170	Ω
			$T_A = T_{MIN}$ to T_{MAX}			225	
DYNAMIC							
Turn-On Time (Note 3)	t_{ON}	$V_+ = 3V$, V_{NO} or $V_{NC} = 1.5V$	$T_A = +25^\circ C$	80	185		ns
			$T_A = T_{MIN}$ to T_{MAX}		230		
Turn-Off Time (Note 3)	t_{OFF}	$V_+ = 3V$, V_{NO} or $V_{NC} = 1.5V$	$T_A = +25^\circ C$	28	150		ns
			$T_A = T_{MIN}$ to T_{MAX}		200		
Charge Injection (Note 3)	Q	$C_L = 1.0nF$, $V_{GEN} = 0V$, $R_{GEN} = 0V$	$T_A = +25^\circ C$	2	10		pC
SUPPLY							
Positive Supply Current	I_+	$V_+ = 3.6V$, $V_{IN} = 0V$ or V_+ , all channels on or off		-1	0.001	1	μA

Note 2: The algebraic convention, where the most negative value is a minimum and the most positive value a maximum, is used in this data sheet.

Note 3: Guaranteed by design.

Note 4: $\Delta R_{ON} = R_{ON}(\max) - R_{ON}(\min)$.

Note 5: Flatness is defined as the difference between the maximum and minimum value of on-resistance as measured over the specified analog signal range.

Note 6: Leakage parameters are 100% tested at maximum-rated hot temperature and guaranteed by correlation at $+25^\circ C$.

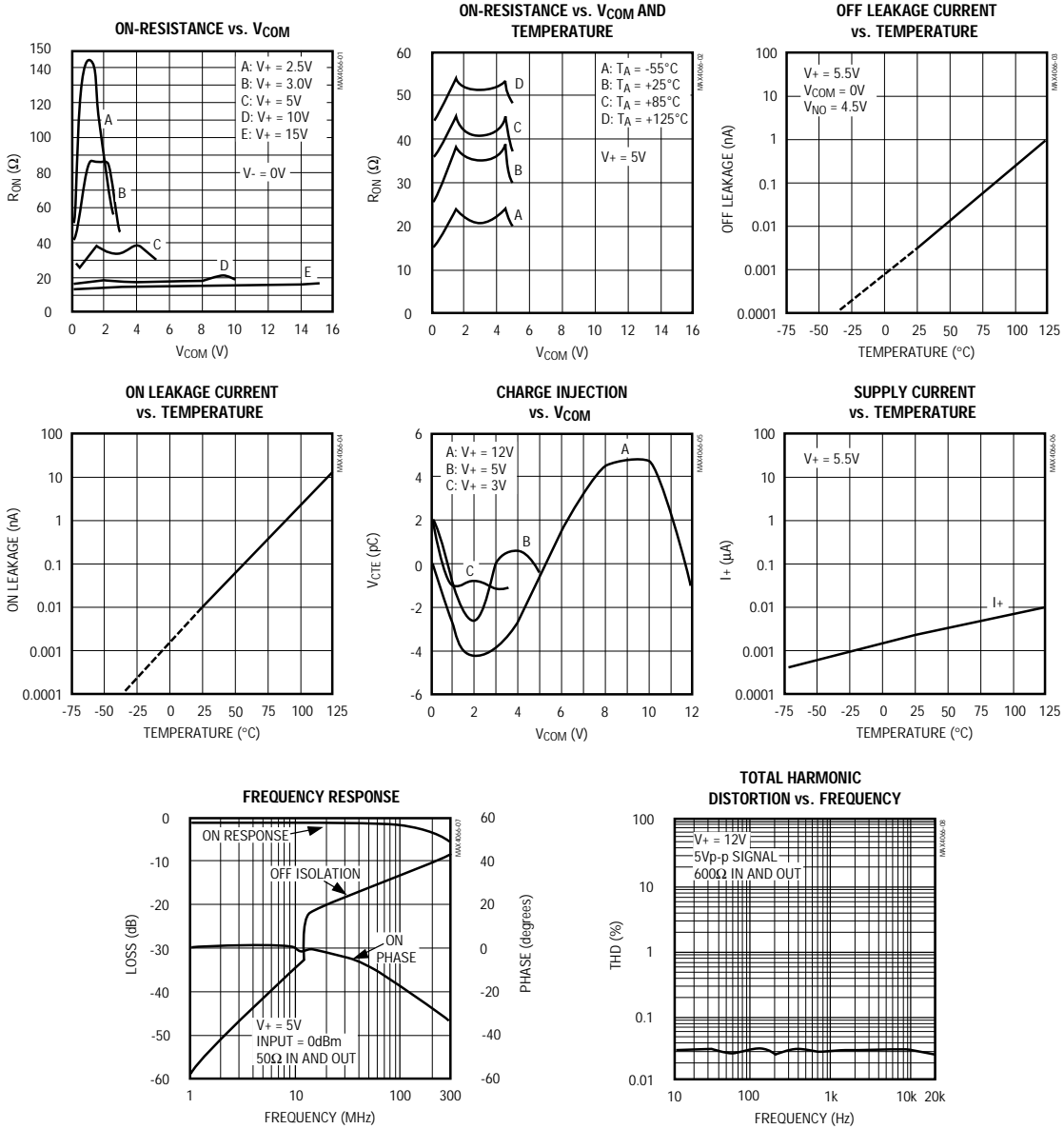
Note 7: Off Isolation = $20\log_{10}(V_{COM} / V_{NO})$, V_{COM} = output, V_{NO} = input to off switch.

Note 8: Between any two switches.

Low-Cost, Low-Voltage, Quad, SPST, CMOS Analog Switches

Typical Operating Characteristics

(T_A = +25°C, unless otherwise noted.)



Low-Cost, Low-Voltage, Quad, SPST, CMOS Analog Switches

Pin Description

PIN		NAME	FUNCTION
DIP/SO	QSOP		
1, 3, 8, 11	1, 4, 9, 13	NO1–NO4	Analog Switch Normally Open Terminal (bidirectional)
2, 4, 9, 10	2, 5, 10, 12	COM1–COM4	Analog Switch Common Terminal (bidirectional)
—	3, 11	N.C.	Not internally connected
13, 5, 6, 12	15, 6, 7, 14	IN1–IN4	Logic Control Inputs
7	8	GND	Ground
14	16	V+	Positive Supply Voltage

MAX4066/MAX4066A

Applications Information

Overvoltage Protection

Proper power-supply sequencing is recommended for all CMOS devices. Do not exceed the absolute maximum ratings, because stresses beyond the listed ratings may cause permanent damage to the devices. Always sequence V+ on first, followed by the logic inputs. If power-supply sequencing is not possible, add two small signal diodes in series with supply pins for overvoltage protection (Figure 1). Adding diodes reduces the analog signal range to 1V below V+ and 1V above GND, but low switch resistance and low leakage characteristics are unaffected. Device operation is unchanged, and the difference between V+ and GND should not exceed 17V.



Figure 1. Overvoltage Protection Using Two External Blocking Diodes

Low-Cost, Low-Voltage, Quad, SPST, CMOS Analog Switches

Test Circuits/Timing Diagrams

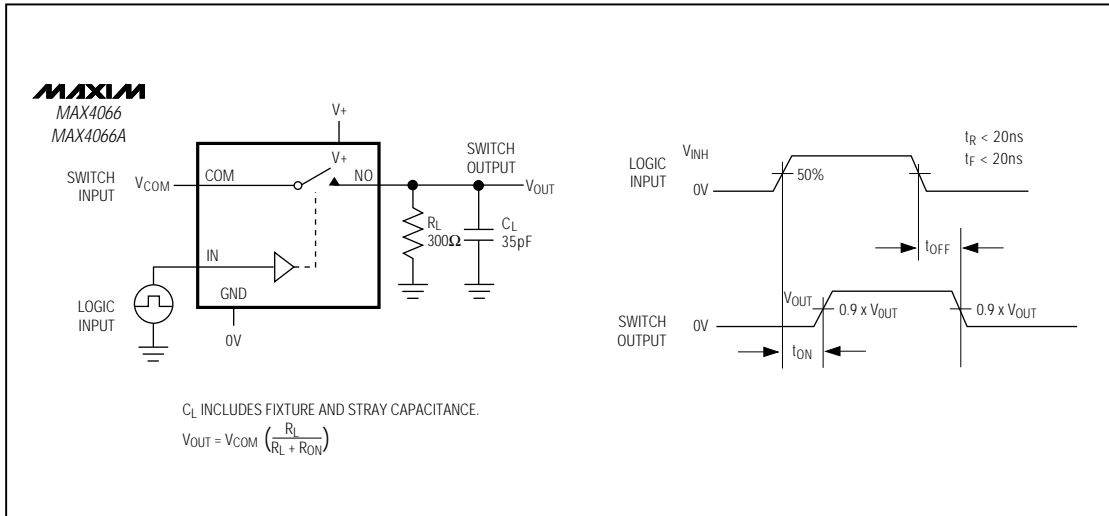


Figure 2. Switching Time

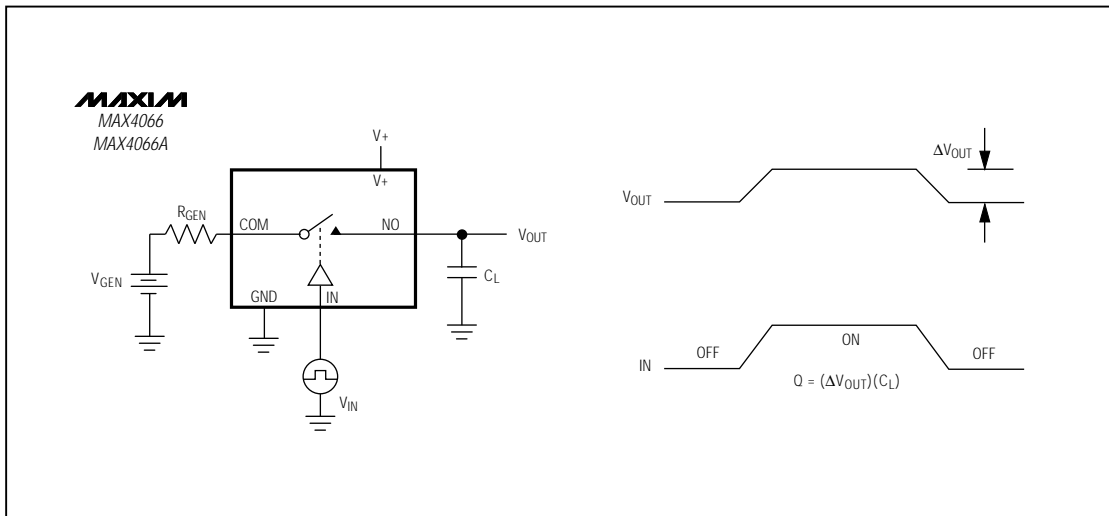


Figure 3. Charge Injection

Low-Cost, Low-Voltage, Quad, SPST, CMOS Analog Switches

Test Circuits (continued)

MAX4066/MAX4066A

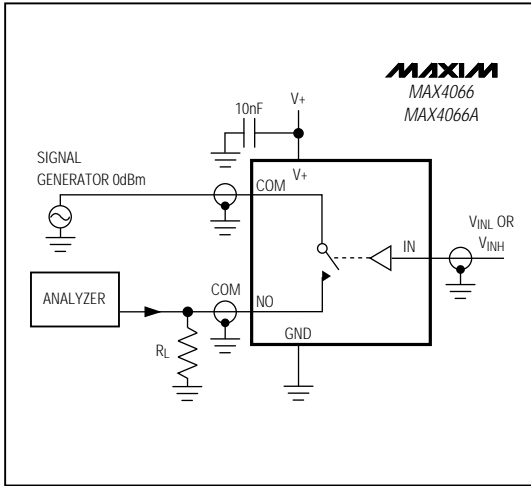


Figure 4. Off Isolation/On-Channel Bandwidth

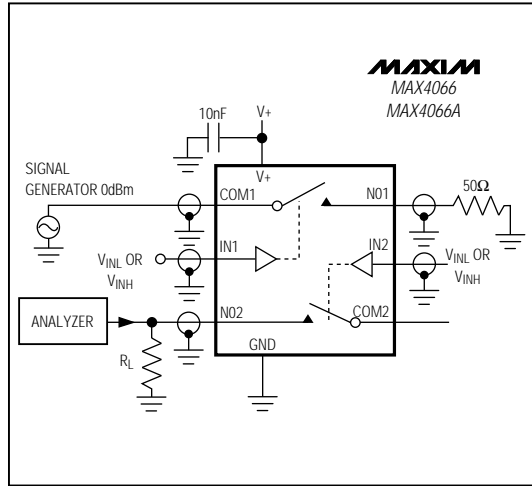


Figure 5. Crosstalk

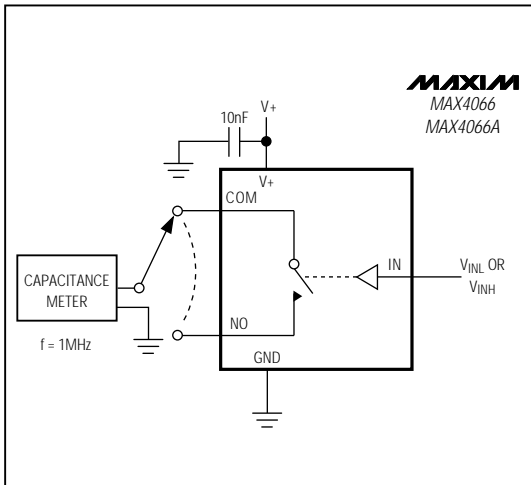


Figure 6. Channel Off/On Capacitance

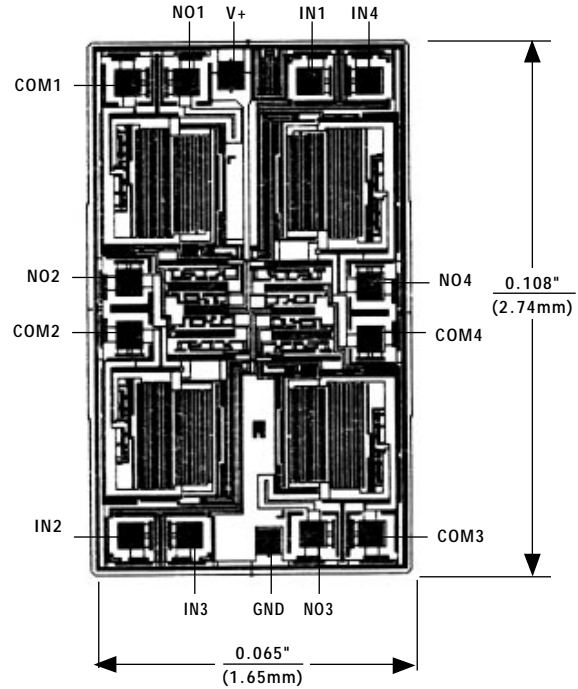
Low-Cost, Low-Voltage, Quad, SPST, CMOS Analog Switches

_Ordering Information (continued)

PART	TEMP. RANGE	PIN-PACKAGE
MAX4066EPD	-40°C to +85°C	14 Plastic DIP
MAX4066ESD	-40°C to +85°C	14 Narrow SO
MAX4066MJD	-55°C to +125°C	14 CERDIP**
MAX4066 ACPD	0°C to +70°C	14 Plastic DIP
MAX4066ACSD	0°C to +70°C	14 Narrow SO
MAX4066ACEE	0°C to +70°C	16 QSOP
MAX4066AC/D	0°C to +70°C	Dice*
MAX4066AEPD	-40°C to +85°C	14 Plastic DIP
MAX4066AESD	-40°C to +85°C	14 Narrow SO
MAX4066AEEE	-40°C to +85°C	16 QSOP
MAX4066AMJD	-55°C to +125°C	14 CERDIP**

* Contact factory for dice specifications.
 ** Contact factory for availability.

Chip Topography



TRANSISTOR COUNT: 69
 SUBSTRATE CONNECTED TO V+

Low-Cost, Low-Voltage, Quad, SPST, CMOS Analog Switches

Package Information

MAX4066/MAX4066A

**Plastic DIP
PLASTIC
DUAL-IN-LINE
PACKAGE
(0.300 in.)**

DIM	INCHES		MILLIMETERS	
	MIN	MAX	MIN	MAX
A	–	0.200	–	5.08
A1	0.015	–	0.38	–
A2	0.125	0.175	3.18	4.45
A3	0.055	0.080	1.40	2.03
B	0.016	0.022	0.41	0.56
B1	0.045	0.065	1.14	1.65
C	0.008	0.012	0.20	0.30
D1	0.005	0.080	0.13	2.03
E	0.300	0.325	7.62	8.26
E1	0.240	0.310	6.10	7.87
e	0.100	–	2.54	–
eA	0.300	–	7.62	–
eB	–	0.400	–	10.16
L	0.115	0.150	2.92	3.81

PKG.	DIM	PINS	INCHES		MILLIMETERS	
			MIN	MAX	MIN	MAX
P	D	8	0.348	0.390	8.84	9.91
P	D	14	0.735	0.765	18.67	19.43
P	D	16	0.745	0.765	18.92	19.43
P	D	18	0.885	0.915	22.48	23.24
P	D	20	1.015	1.045	25.78	26.54
N	D	24	1.14	1.265	28.96	32.13

21-0043A

**Narrow SO
SMALL-OUTLINE
PACKAGE
(0.150 in.)**

DIM	INCHES		MILLIMETERS	
	MIN	MAX	MIN	MAX
A	0.053	0.069	1.35	1.75
A1	0.004	0.010	0.10	0.25
B	0.014	0.019	0.35	0.49
C	0.007	0.010	0.19	0.25
E	0.150	0.157	3.80	4.00
e	0.050		1.27	
H	0.228	0.244	5.80	6.20
L	0.016	0.050	0.40	1.27

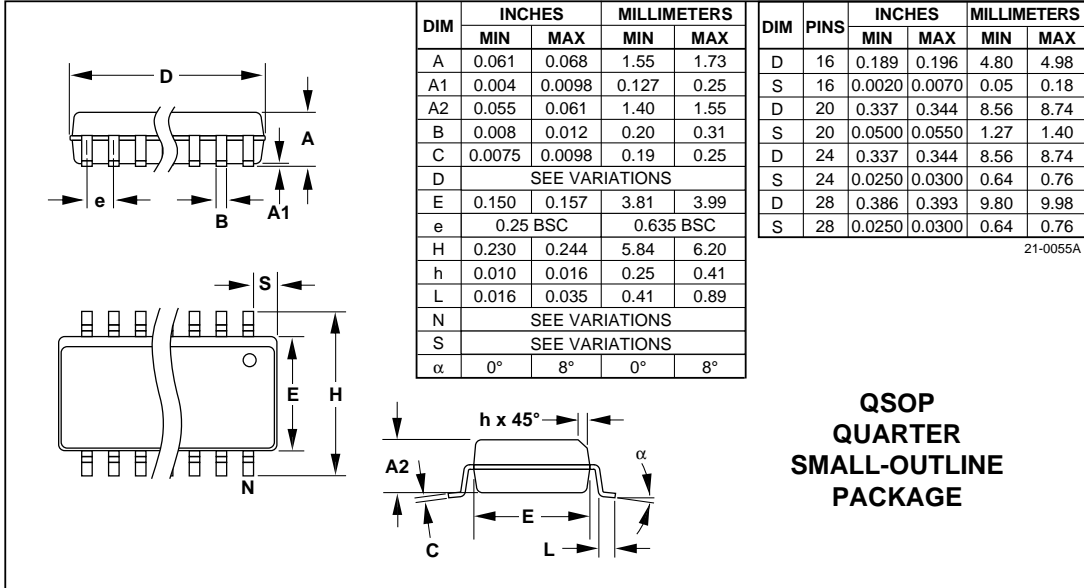
DIM	PINS	INCHES		MILLIMETERS	
		MIN	MAX	MIN	MAX
D	8	0.189	0.197	4.80	5.00
D	14	0.337	0.344	8.55	8.75
D	16	0.386	0.394	9.80	10.00

21-0041A

MAX4066/MAX4066A

Low-Cost, Low-Voltage, Quad, SPST, CMOS Analog Switches

Package Information (continued)



Maxim cannot assume responsibility for use of any circuitry other than circuitry entirely embodied in a Maxim product. No circuit patent licenses are implied. Maxim reserves the right to change the circuitry and specifications without notice at any time.

12 _____ Maxim Integrated Products, 120 San Gabriel Drive, Sunnyvale, CA 94086 (408) 737-7600

© 1996 Maxim Integrated Products

Printed USA

MAXIM is a registered trademark of Maxim Integrated Products.



Стандарт Электрон Связь

Мы молодая и активно развивающаяся компания в области поставок электронных компонентов. Мы поставляем электронные компоненты отечественного и импортного производства напрямую от производителей и с крупнейших складов мира.

Благодаря сотрудничеству с мировыми поставщиками мы осуществляем комплексные и плановые поставки широчайшего спектра электронных компонентов.

Собственная эффективная логистика и склад в обеспечивает надежную поставку продукции в точно указанные сроки по всей России.

Мы осуществляем техническую поддержку нашим клиентам и предпродажную проверку качества продукции. На все поставляемые продукты мы предоставляем гарантию .

Осуществляем поставки продукции под контролем ВП МО РФ на предприятия военно-промышленного комплекса России , а также работаем в рамках 275 ФЗ с открытием отдельных счетов в уполномоченном банке. Система менеджмента качества компании соответствует требованиям ГОСТ ISO 9001.

Минимальные сроки поставки, гибкие цены, неограниченный ассортимент и индивидуальный подход к клиентам являются основой для выстраивания долгосрочного и эффективного сотрудничества с предприятиями радиоэлектронной промышленности, предприятиями ВПК и научно-исследовательскими институтами России.

С нами вы становитесь еще успешнее!

Наши контакты:

Телефон: +7 812 627 14 35

Электронная почта: sales@st-electron.ru

Адрес: 198099, Санкт-Петербург,
Промышленная ул, дом № 19, литера Н,
помещение 100-Н Офис 331