

Package: Laminate, 16-pin, 3.0mm x 3.0mm x 1.05mm

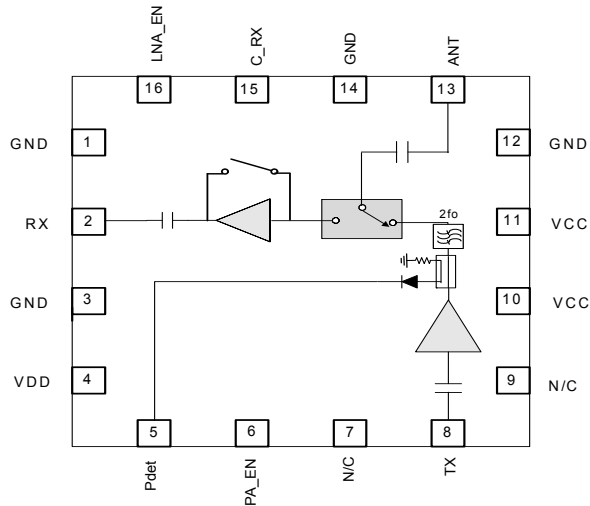


### Features

- Integrated 4.9GHz to 5.85GHz Amplifier, SPDT Tx/Rx Switch, LNA with Bypass, and Power Detector Coupler
- $P_{OUT} = 17\text{dBm}$ , 11a/n, 3.3V 2.5% Dynamic EVM
- $P_{OUT} = 16\text{dBm}$ , 11ac HT80 MCS9, 1.8% Dynamic EVM

### Applications

- IEEE802.11a/n/ac WiFi Applications
- 4.9GHz to 5.85GHz ISM Band Applications
- Portable Battery-Powered Equipment
- WiFi Access Points, Gateways and Set Top Boxes



Functional Block Diagram

### Product Description

The RFFM4591 provides a complete integrated solution in a single front end module (FEM) for WiFi 802.11a/n/ac systems. The ultra-small form factor and integrated matching minimizes the layout area in the customer's application and greatly reduces the number of external components. This simplifies the total front end solution by reducing the bill of materials, system footprint, and manufacturability cost. The RFFM4591 integrates a power amplifier (PA), single pole double throw switch (SPDT), LNA with bypass, and a power detector coupler for improved accuracy. The device is provided in a 3mm x 3mm x 1.05mm, 16-pin laminate package. This module meets or exceeds the RF front end needs of IEEE 802.11a/n/ac WiFi RF systems.

### Ordering Information

|                 |                                      |
|-----------------|--------------------------------------|
| RFFM4591PCK-410 | RFFM4591 Eval Board with 5-piece bag |
| RFFM4591SB      | 5-Piece bag                          |
| RFFM4591SR      | 100-Piece reel                       |
| RFFM4591TR7     | 2500-Piece reel                      |
| RFFM4591SQ      | 25-Piece bag                         |

## Absolute Maximum Ratings

| Parameter   | Rating      | Unit            |
|---|-------------|-----------------|
| DC Supply Voltage (No RF)                             | 5.5         | V <sub>DC</sub> |
| DC Supply Voltage (With RF On)                        | 5           | V <sub>DC</sub> |
| Maximum Tx and Rx Input Power (No Damage)             | 12          | dBm             |
| Operating Ambient Temperature                         | -20 to +85  | °C              |
| Extended Temperature Range (with Reduced Performance) | -40 to -20  | °C              |
| Storage Temperature                                   | -40 to +150 | °C              |
| Moisture Sensitivity                                  | MSL3        |                 |



**Caution!** ESD sensitive device.

Exceeding any one or a combination of the Absolute Maximum Rating conditions may cause permanent damage to the device. Extended application of Absolute Maximum Rating conditions to the device may reduce device reliability. Specified typical performance or functional operation of the device under Absolute Maximum Rating conditions is not implied.

The information in this publication is believed to be accurate and reliable. However, no responsibility is assumed by RF Micro Devices, Inc. ("RFMD") for its use, nor for any infringement of patents, or other rights of third parties, resulting from its use. No license is granted by implication or otherwise under any patent or patent rights of RFMD. RFMD reserves the right to change component circuitry, recommended application circuitry and specifications at any time without prior notice.



RFMD Green: RoHS compliant per EU Directive 2011/65/EU, halogen free per IEC 61249-2-21, < 1000ppm each of antimony trioxide in polymeric materials and red phosphorus as a flame retardant, and <2% antimony in solder.

| Parameter                      | Specification |       |       | Unit    | Condition  |
|--------------------------------|---------------|-------|-------|---------|--|
|                                | Min.          | Typ.  | Max.  |         |  |
| <b>Typical Conditions 3.3V</b> |               |       |       |         | Temperature = -10 °C to +70 °C, V <sub>CC</sub> = 3.3V, PA_EN = high, P <sub>OUT</sub> = 17dBm using a IEEE802.11n MCS7 waveform unless otherwise noted. |
| Tx Performance - 11a/n/ac      |               |       |       |         | Compliance with standard 802.11a/n/ac  |
| Frequency                      | 5150          |       | 5850  | MHz     |  |
| 802.11n Output Power           | 16.5          | 17    |       | dBm     | 802.11n HT20 and HT40 MCS7   |
| 11n Dynamic EVM                |               | 2.5   | 3     | %       |  |
|                                |               | -32   | -30.5 | dB      |  |
| 802.11ac Output Power          | 15            | 16    |       | dBm     | 802.11ac HT40 and HT80 MCS9  |
| 11ac Dynamic EVM               |               |       | 1.8   | %       |  |
|                                |               |       | -35   | dB      |  |
| Tx Performance - Spectral Mask |               |       |       |         |  |
| 802.11n Output Power           |               | 19    |       | dBm     | Meet IEEE HT40 MCS7 Spectral Mask  |
| Frequency                      | 4900          |       | 5150  | MHz     |  |
| 802.11n Output Power           | 16.5          | 17    |       | dBm     | 802.11n HT20 and HT40 MCS7   |
| 11n EVM                        |               | 2.5   | 3     | %       |  |
|                                |               | -32   | -30.5 | dB      |  |
| Second Harmonic                |               | -45   | -41   | dBm/MHz | 4.9GHz to 5.825GHz, P <sub>OUT</sub> = 18dBm, 6Mbps 802.11a  |
| Third Harmonic                 |               | -50   | -43   | dBm/MHz |  |
| <b>General Tx Performance</b>  |               |       |       |         |  |
| Gain                           | 24            | 26    | 30    | dB      | 5.15GHz to 5.35GHz   |
|                                |               | 26    | 28    | 31      | dB   |
| Gain variation over Temp       | -2            |       | 2     | dB      |  |
|                                |               |       |       |         |  |
| Power Detect Voltage           | 0.35          | 0.375 | 0.4   | V       | RF = off   |
|                                |               |       | 0.706 | V       | Frequency = 5825MHz, P <sub>OUT</sub> = 16.5dBm, T = 25 °C   |
| Power Detect Accuracy          | -1.5          |       | 1.5   | dB      | Into 3:1 VSWR load, T = 25 °C  |
| Input Return Loss - TX_IN pin  |               | -15   | -7    | dB      | In specified frequency band  |
| Output Return Loss at ANT pin  |               | -15   | -10   | dB      |  |

| Parameter  | Specification |      |                 | Unit | Condition  |
|--|---------------|------|-----------------|------|--|
|  | Min.          | Typ. | Max.            |      |  |
| <b>Typical Conditions 3.3V (continued)</b>                                   |               |      |                 |      | Temperature = -10 °C to +70 °C, V <sub>CC</sub> = 3.3V, PA_EN = high, P <sub>OUT</sub> = 17dBm using a IEEE802.11n MCS7 waveform unless otherwise noted. |
| <b>General Tx Performance</b>  |               |      |                 |      |  |
| Operating Current  |               | 225  | 250             | mA   | P <sub>OUT</sub> = 17dBm   |
|  |               | 220  |                 | mA   | P <sub>OUT</sub> = 16dBm   |
| Quiescent Current  |               | 175  | 190             | mA   | Nominal Conditions. No RF applied  |
| Leakage Current  |               |      | 10              | μA   | V <sub>CC</sub> = 3.3V, LNA_EN = low, C_RX = low, PA_EN = low, temperature = 25 °C   |
| V <sub>CONTROL_High</sub> (PA_EN, C_RX, and LNA_EN) for both TX and RX modes | 2.8           | 2.9  | V <sub>CC</sub> | V    |  |
| V <sub>CONTROL_Low</sub> (PA_EN, C_RX, and LNA_EN) for both TX and RX modes  | 0             |      | 0.2             | V    |  |
| Turn-on time from PA_EN edge   |               |      | 500             | ns   | Output stable to within 90% of final gain  |
| Turn-off time from PA_EN edge  |               |      | 500             | ns   |  |
| Stability  | -25           |      | 24              | dBm  | No spurs above -47dBm into 4:1 VSWR  |
| CW P1dB  | 24            | 25   |                 | dBm  | Tx mode in 50% Duty Cycle  |
| <b>Rx Performance</b>  |               |      |                 |      | Temperature = -10 °C to +70 °C, V <sub>DD</sub> = 3.3V, C_RX = high, LNA_EN = high   |
| Gain   | 11            | 12.5 | 13              | dB   | Temperature = 25 °C  |
| Gain Over Operating Temperature Range  | 9             | 12.5 | 14              | dBm  | Temperature = -10 °C to +70 °C   |
| Gain - Extended  | 8             | 12.5 | 16              | dB   | Temperature = -40 °C to +85 °C   |
| NF   |               | 2.5  | 3.5             | dB   | In specified frequency band  |
| Rx Port Return Loss  |               |      | -7              | dB   |  |
| ANT Port Return Loss   |               | -10  | -5              | dB   |  |
| Input IP3  | -3            | 0    |                 | dBm  |  |
| Input P1dB   | -13           | -10  |                 | dBm  |  |
| I <sub>DD</sub>  |               | 13   | 17              | mA   |  |
| LNA_EN Control Current   |               | 30   | 50              | μA   |  |
| <b>Rx Bypass Mode</b>  |               |      |                 |      | Temperature = -10 °C to +70 °C, V <sub>DD</sub> = 3.3V, C_RX = high, LNA_EN = low  |
| Insertion Loss   | -10           | -8   | -6              | dB   |  |
| Rx Port Return Loss  |               |      | -7              | dB   |  |
| ANT Port Return Loss   |               | -6   |                 | dB   |  |
| Input IP3  | 15            | 20   |                 | dBm  |  |
| Input P1dB   | 5             | 10   |                 | dBm  |  |
| Isolation  |               |      |                 |      |  |
| ANT-TX; Rx Mode  | 20            |      |                 | dB   | C_RX = High, PA_EN = Low   |
| ANT-RX; Tx Mode  | 25            |      |                 | dB   | PA_EN = High, C_RX = Low, LNA_EN = Low   |

| Parameter                                      | Specification |      |      | Unit | Condition  |
|--|---------------|------|------|------|--|
|  | Min.          | Typ. | Max. |      |  |
| <b>Typical Conditions 3.3V<br/>(continued)</b> |               |      |      |      | Temperature = -10 °C to +70 °C, V <sub>CC</sub> = 3.3V, PA_EN = high,<br>P <sub>OUT</sub> = 17dBm using a IEEE802.11n MCS7 waveform<br>unless otherwise noted. |
| <b>General Performance</b>                     |               |      |      |      |  |
| Control Current                                |               |      |      |      |  |
| C_RX Current                                   |               | 0.5  | 1    | μA   |  |
| PA_EN Current                                  |               | 30   | 50   | μA   |  |
| Switch Control Speed                           |               |      | 100  | ns   |  |
| PA_EN Control Impedance                        |               | 4.9  |      | MΩ   |  |
| LNA_EN Control Impedance                       |               | 6.5  |      | MΩ   |  |
| C_RX Control Impedance                         |               | 27   |      | MΩ   |  |
| ESD  |               |      |      |      |  |
| Human Body Model                               | 500           |      |      | V    | EIA/JESD22-114A RF pins  |
|  | 1000          |      |      | V    | EIA/JESD22-114A DC pins  |
| Charge Device Model                            | 1000          |      |      | V    | JESD22-C101C all pins  |
| Thermal Resistance                             |               |      |      |      |  |
| R <sub>TH_J</sub>                              |               | 46   |      | °C/W |  |
| Maximum Input Power                            |               |      | 12   | dBm  | Into 50Ω, V <sub>CC</sub> = 3.3V, 25 °C  |
| Maximum Input Power                            |               |      | 12   | dBm  | 6:1 VSWR, V <sub>CC</sub> = 3.3V, 25 °C  |
| Maximum Input Power                            |               |      | 5    | dBm  | 10:1 VSWR, V <sub>CC</sub> = 3.3V, 25 °C   |

**Logic Control Table**

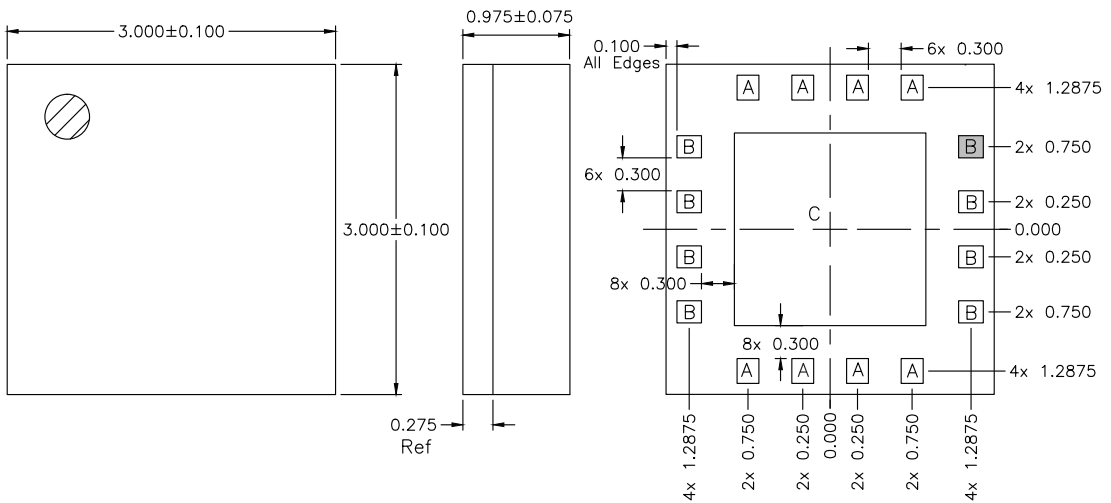
| Mode                   | PA_EN | LNA_EN | C_RX |
|------------------------|-------|--------|------|
| Standby                | Low   | Low    | Low  |
| 802.11a/n/ac Tx        | High  | Low    | Low  |
| 802.11a/n/ac Rx Gain   | Low   | High   | High |
| 802.11a/n/ac Rx Bypass | Low   | Low    | High |

 Note: High = 2.8V to  $V_{CC}$ , Low = 0V to 0.2V

**Pin Names and Descriptions**

| Pin      | Name   | Description   |
|----------|--------|---|
| 1        | GND    | Ground connection.  |
| 2        | RX     | RF output port for the 802.11a/n/ac LNA. Input is matched to 50Ω and DC block is provided internally.                           |
| 3        | GND    | Ground connection.  |
| 4        | VDD    | Supply voltage for the LNA. See applications schematic for biasing and bypassing components.                                    |
| 5        | PDET   | Power detector voltage for Tx section. PDET voltage varies with output power. May need external capacitor for noise decoupling. |
| 6        | PA_EN  | Control voltage for the PA and Tx switch. See truth table for proper settings.  |
| 7        | NC     | Not Connected. This Pin is not internally connected so customer has the choice to leave it NC or ground it.                     |
| 8        | TX     | RF input port for the 802.11a/n/ac PA. Input is matched to 50Ω and DC block is provided internally.                             |
| 9        | NC     | Not Connected. This Pin is not internally connected so customer has the choice to leave it NC or ground it.                     |
| 10       | VCC    | Supply voltage for the PA. See applications schematic for biasing and bypassing components.                                     |
| 11       | VCC    | Supply voltage for the PA. See applications schematic for biasing and bypassing components.                                     |
| 12       | GND    | Ground connection.  |
| 13       | ANT    | RF bidirectional antenna port matched to 50Ω and DC block is provided internally.   |
| 14       | GND    | Ground connection.  |
| 15       | C_RX   | Receive switch control pin. See switch truth table for proper level.  |
| 16       | LNA_EN | Control voltage for the LNA. When this pin is set to a LOW logic state, the bypass mode is enabled.                             |
| Pkg Base | GND    | Ground connection.  |

## Package Drawing

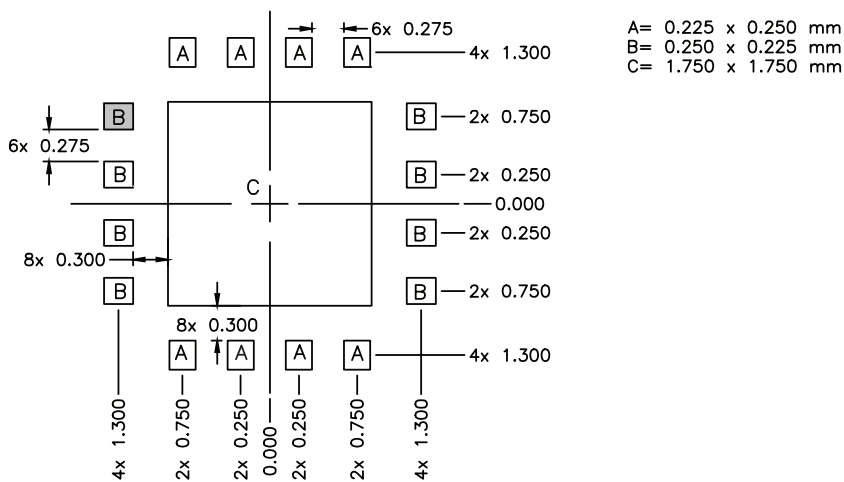


**Notes:**

1. Shaded area represents Pin 1 location.

A = 0.200 x 0.225 mm  
 B = 0.225 x 0.200 mm  
 C = 1.750 x 1.750 mm

## RFFM4591 PCB Footprint and Stencil Recommendations

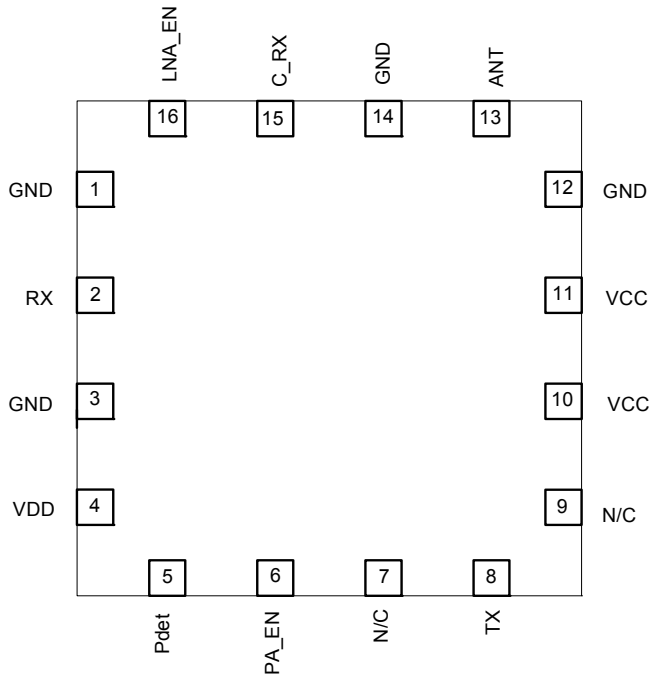


A = 0.225 x 0.250 mm  
 B = 0.250 x 0.225 mm  
 C = 1.750 x 1.750 mm

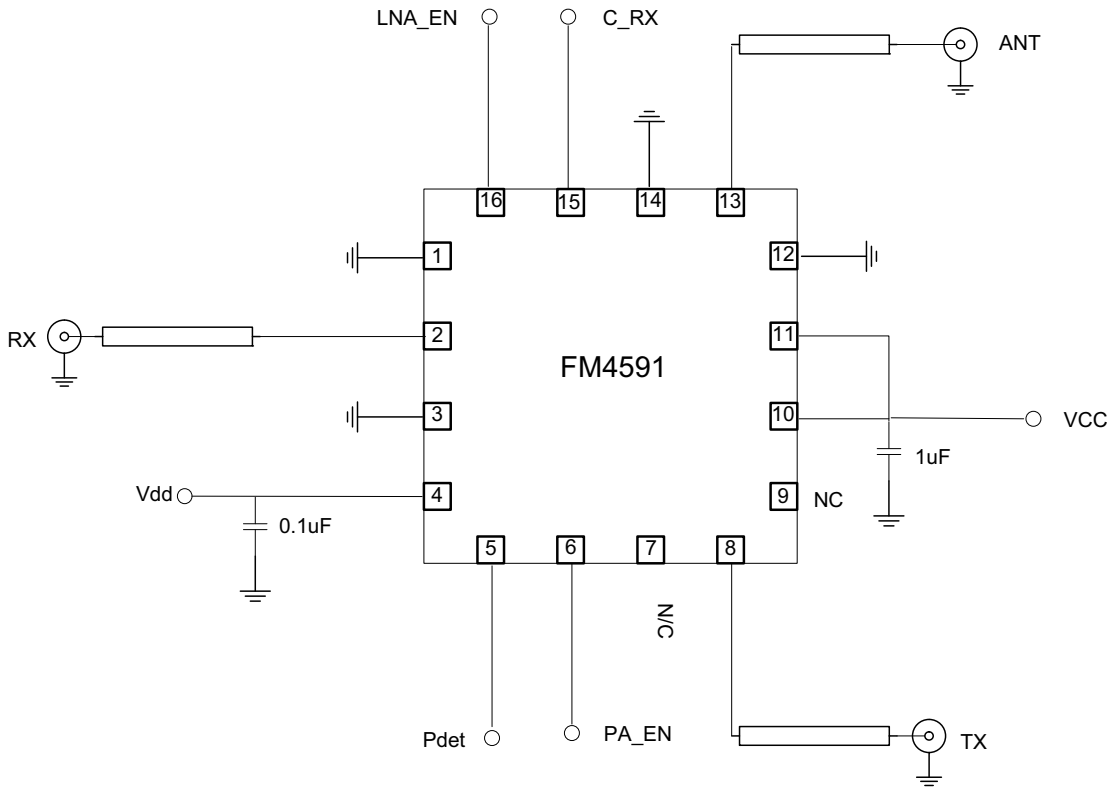
**Notes:**

1. Shaded area represents Pin 1 location.
2. Example of the number and size of vias can be found on the RFMD evaluation board layout.

**Pin Out**



## Evaluation Board Schematic







## Стандарт Электрон Связь

Мы молодая и активно развивающаяся компания в области поставок электронных компонентов. Мы поставляем электронные компоненты отечественного и импортного производства напрямую от производителей и с крупнейших складов мира.

Благодаря сотрудничеству с мировыми поставщиками мы осуществляем комплексные и плановые поставки широчайшего спектра электронных компонентов.

Собственная эффективная логистика и склад в обеспечивает надежную поставку продукции в точно указанные сроки по всей России.

Мы осуществляем техническую поддержку нашим клиентам и предпродажную проверку качества продукции. На все поставляемые продукты мы предоставляем гарантию .

Осуществляем поставки продукции под контролем ВП МО РФ на предприятия военно-промышленного комплекса России , а также работаем в рамках 275 ФЗ с открытием отдельных счетов в уполномоченном банке. Система менеджмента качества компании соответствует требованиям ГОСТ ISO 9001.

Минимальные сроки поставки, гибкие цены, неограниченный ассортимент и индивидуальный подход к клиентам являются основой для выстраивания долгосрочного и эффективного сотрудничества с предприятиями радиоэлектронной промышленности, предприятиями ВПК и научно-исследовательскими институтами России.

С нами вы становитесь еще успешнее!

### Наши контакты:

**Телефон:** +7 812 627 14 35

**Электронная почта:** [sales@st-electron.ru](mailto:sales@st-electron.ru)

**Адрес:** 198099, Санкт-Петербург,  
Промышленная ул, дом № 19, литера Н,  
помещение 100-Н Офис 331