

## Description

The ICS9FG108E is a Frequency Generator that provides 8 differential HCSL output pairs. It can be used to drive PCIe Gen1/2, SATA and USB3.0 devices. The part can use either a 14.31818 Mhz or 25 MHz crystal. The ICS9FG108E can also be driven by a reference input clock instead of a crystal. It provides outputs with cycle-to-cycle jitter of less than 50 ps and output-to-output skew of less than 65 ps.

## Recommended Application

Frequency Generator for CPU, PCIe Gen1/2, SATA and USB3.0

## Output Features

- 8 - HCSL differential outputs
- 1 - 3.3V REF output (either 14.318M or 25M depending on XTAL)

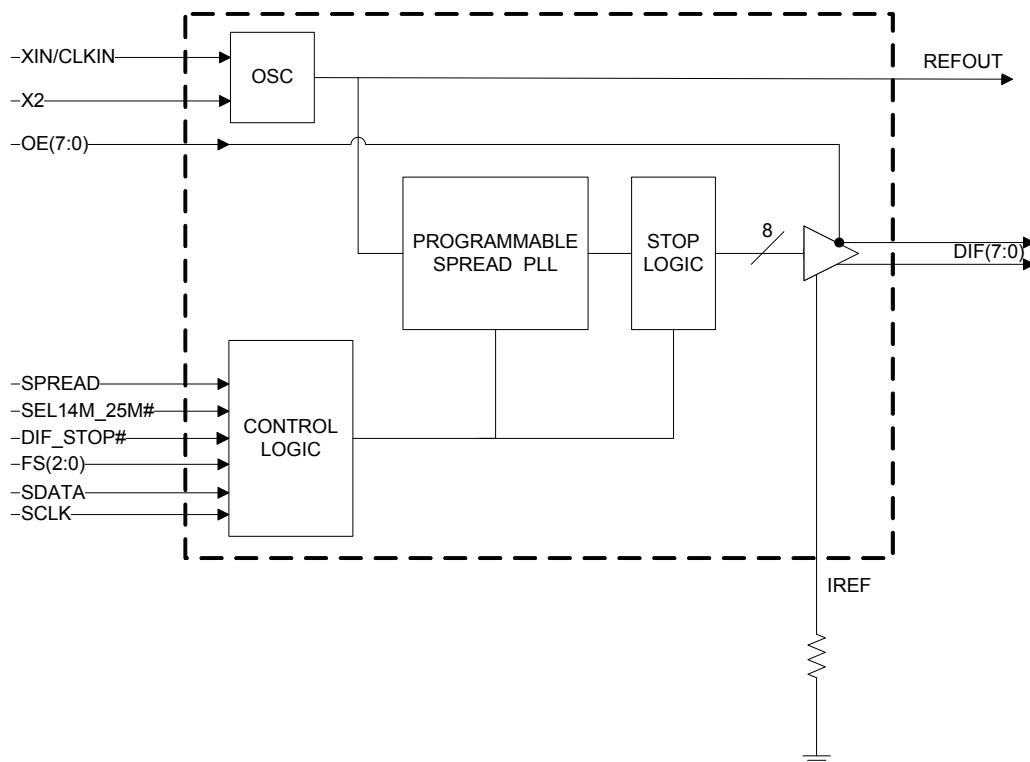
## Features/Benefits

- Generates common frequencies from 14.318MHz or 25MHz
- Crystal or reference input
- 8 - 0.7V current-mode HCSL output pairs
- Supports Serial-ATA at 100MHz
- Two spread spectrum modes: -0.5% down spread and +/-0.25% center spread; Lower EMI
- 31.5KHz spread modulation rate; passes USB3 compliance testing
- Unused outputs may be disabled in either driven or Hi-Z state for power management
- I-temp version available; supports embedded applications

## Key Specifications

- Cycle to cycle jitter: < 50ps
- Phase jitter: PCIe Gen1/2 <3ps rms
- Output to output skew <65ps
- +/-300 ppm frequency accuracy on output clocks
- +/-50ppm on all output frequencies with Spread Off

## Block Diagram



## Pin Configuration

|           |    |                |    |              |
|-----------|----|----------------|----|--------------|
| XIN/CLKIN | 1  | <b>9FG108E</b> | 48 | VDDA         |
| X2        | 2  |                | 47 | GND          |
| VDD       | 3  |                | 46 | IREF         |
| GND       | 4  |                | 45 | vFS0         |
| REFOUT    | 5  |                | 44 | vFS1         |
| vFS2      | 6  |                | 43 | VOE_0        |
| VOE_7     | 7  |                | 42 | DIF_0        |
| DIF_7     | 8  |                | 41 | DIF_0#       |
| DIF_7#    | 9  |                | 40 | VDD          |
| VDD       | 10 |                | 39 | DIF_1        |
| DIF_6     | 11 |                | 38 | DIF_1#       |
| DIF_6#    | 12 |                | 37 | ^OE_1        |
| ^OE_6     | 13 |                | 36 | VDD          |
| VDD       | 14 |                | 35 | GND          |
| GND       | 15 |                | 34 | ^OE_2        |
| ^OE_5     | 16 |                | 33 | DIF_2        |
| DIF_5     | 17 |                | 32 | DIF_2#       |
| DIF_5#    | 18 |                | 31 | VDD          |
| VDD       | 19 |                | 30 | DIF_3        |
| DIF_4     | 20 |                | 29 | DIF_3#       |
| DIF_4#    | 21 |                | 28 | VOE_3        |
| VOE_4     | 22 |                | 27 | ^SEL14M_25M# |
| SDATA     | 23 |                | 26 | vSPREAD      |
| SCLK      | 24 |                | 25 | DIF_STOP#    |

^ indicates internal 120K pull up  
v indicates internal 120K pull down

## Power Groups

| Pin Number        |       | Description                   |
|-------------------|-------|-------------------------------|
| VDD               | GND   |                               |
| 3                 | 4     | REFOUT, Digital Inputs, SMBus |
| 10,14,19,31,36,40 | 15,35 | DIF Outputs                   |
| N/A               | 47    | IREF                          |
| 48                | 47    | Analog VDD & GND for PLL Core |

## Frequency Select Table

| SEL14M_25M#<br>(FS3) | FS2 | FS1 | FS0 | OUTPUT(MHz) |
|----------------------|-----|-----|-----|-------------|
| 0                    | 0   | 0   | 0   | 100.00      |
| 0                    | 0   | 0   | 1   | 125.00      |
| 0                    | 0   | 1   | 0   | 133.33      |
| 0                    | 0   | 1   | 1   | 166.67      |
| 0                    | 1   | 0   | 0   | 200.00      |
| 0                    | 1   | 0   | 1   | 266.66      |
| 0                    | 1   | 1   | 0   | 333.33      |
| 0                    | 1   | 1   | 1   | 400.00      |
| 1                    | 0   | 0   | 0   | 100.00      |
| 1                    | 0   | 0   | 1   | 125.00      |
| 1                    | 0   | 1   | 0   | 133.33      |
| 1                    | 0   | 1   | 1   | 166.67      |
| 1                    | 1   | 0   | 0   | 200.00      |
| 1                    | 1   | 0   | 1   | 266.66      |
| 1                    | 1   | 1   | 0   | 333.33      |
| 1                    | 1   | 1   | 1   | 400.00      |

## Pin Descriptions

| PIN # | PIN NAME  | PIN TYPE | DESCRIPTION   |
|-------|-----------|----------|---|
| 1     | XIN/CLKIN | IN       | Crystal input or Reference Clock input  |
| 2     | X2        | OUT      | Crystal output, Nominally 14.318MHz   |
| 3     | VDD       | PWR      | Power supply, nominal 3.3V  |
| 4     | GND       | PWR      | Ground pin.   |
| 5     | REFOUT    | OUT      | Reference Clock output  |
| 6     | vFS2      | IN       | Frequency select pin. This pin has an internal 120k pull down resistor  |
| 7     | vOE_7     | IN       | Active high input for enabling output 7. This pin has a 120kohm pull down.<br>0 = tri-state outputs, 1= enable outputs          |
| 8     | DIF_7     | OUT      | 0.7V differential true clock output   |
| 9     | DIF_7#    | OUT      | 0.7V differential Complementary clock output  |
| 10    | VDD       | PWR      | Power supply, nominal 3.3V  |
| 11    | DIF_6     | OUT      | 0.7V differential true clock output   |
| 12    | DIF_6#    | OUT      | 0.7V differential Complementary clock output  |
| 13    | ^OE_6     | IN       | Active high input for enabling output 6. This pin has an internal 120kohm pull up.<br>0 = tri-state outputs, 1= enable outputs  |
| 14    | VDD       | PWR      | Power supply, nominal 3.3V  |
| 15    | GND       | PWR      | Ground pin.   |
| 16    | ^OE_5     | IN       | Active high input for enabling output 5. This pin has an internal 120kohm pull up.<br>0 = tri-state outputs, 1= enable outputs  |
| 17    | DIF_5     | OUT      | 0.7V differential true clock output   |
| 18    | DIF_5#    | OUT      | 0.7V differential Complementary clock output  |
| 19    | VDD       | PWR      | Power supply, nominal 3.3V  |
| 20    | DIF_4     | OUT      | 0.7V differential true clock output   |
| 21    | DIF_4#    | OUT      | 0.7V differential Complementary clock output  |
| 22    | vOE_4     | IN       | Active high input for enabling output 4. This pin as an internal 120kohm pull down.<br>0 = tri-state outputs, 1= enable outputs |
| 23    | SDATA     | I/O      | Data pin for SMBus circuitry, 3.3V tolerant.  |
| 24    | SCLK      | IN       | Clock pin of SMBus circuitry, 5V tolerant.  |

### Note:

^ indicates internal 120K pull up

v indicates internal 120K pull down

## Pin Descriptions (cont.)

| PIN # | PIN NAME     | PIN TYPE | DESCRIPTION   |
|-------|--------------|----------|---|
| 25    | DIF_STOP#    | IN       | Active low input to stop differential output clocks.  |
| 26    | vSPREAD      | IN       | Asynchronous, active high input to enable spread spectrum functionality. This pin has a 120Kohm pull down resistor.   |
| 27    | ^SEL14M_25M# | IN       | Select 14.31818 MHz or 25 Mhz input frequency. This pin has an internal 120kohm pull up resistor.<br>1 = 14.31818 MHz, 0 = 25 MHz   |
| 28    | vOE_3        | IN       | Active high input for enabling output 3. This pin has an internal 120kohm pull down resistor.<br>0 = tri-state outputs, 1= enable outputs   |
| 29    | DIF_3#       | OUT      | 0.7V differential Complementary clock output  |
| 30    | DIF_3        | OUT      | 0.7V differential true clock output   |
| 31    | VDD          | PWR      | Power supply, nominal 3.3V  |
| 32    | DIF_2#       | OUT      | 0.7V differential Complementary clock output  |
| 33    | DIF_2        | OUT      | 0.7V differential true clock output   |
| 34    | ^OE_2        | IN       | Active high input for enabling output 2. This pin has in internal 120kohm pull up resistor.<br>0 = tri-state outputs, 1= enable outputs   |
| 35    | GND          | PWR      | Ground pin.   |
| 36    | VDD          | PWR      | Power supply, nominal 3.3V  |
| 37    | ^OE_1        | IN       | Active high input for enabling output 1. This pin has an internal 120kohm pull up resistor.<br>0 = tri-state outputs, 1= enable outputs   |
| 38    | DIF_1#       | OUT      | 0.7V differential Complementary clock output  |
| 39    | DIF_1        | OUT      | 0.7V differential true clock output   |
| 40    | VDD          | PWR      | Power supply, nominal 3.3V  |
| 41    | DIF_0#       | OUT      | 0.7V differential Complementary clock output  |
| 42    | DIF_0        | OUT      | 0.7V differential true clock output   |
| 43    | vOE_0        | IN       | Active high input for enabling output 0. This pin has an internal 120kohm pull down resistor.<br>0 = tri-state outputs, 1= enable outputs   |
| 44    | vFS1         | IN       | 3.3V Frequency select latched input pin with internal 120kohm pull down resistor.   |
| 45    | vFS0         | IN       | 3.3V Frequency select latched input pin with internal 120kohm pull down resistor.   |
| 46    | IREF         | OUT      | This pin establishes the reference current for the differential current-mode output pairs. This pin requires a fixed precision resistor tied to ground in order to establish the appropriate current. 475 ohms is the standard value. |
| 47    | GNDA         | PWR      | Ground pin for the PLL core.  |
| 48    | VDDA         | PWR      | 3.3V power for the PLL core.  |

**Note:**

^ indicates internal 120K pull up

v indicates internal 120K pull down

## Absolute Maximum Ratings

Stresses above the ratings listed below can cause permanent damage to the ICS9FG108E. These ratings, which are standard values for IDT commercially rated parts, are stress ratings only. Functional operation of the device at these or any other conditions above those indicated in the operational sections of the specifications is not implied. Exposure to absolute maximum rating conditions for extended periods can affect product reliability. Electrical parameters are guaranteed only over the recommended operating temperature range.

| Symbol   | Parameter                                 | Min  | Max | Units |
|----------|---|------|-----|-------|
| VDD_A    | 3.3V Core Supply Voltage                  |      | 4.6 | V     |
| VDD      | 3.3V Logic Supply Voltage                 |      | 4.6 | V     |
| Ts       | Storage Temperature                       | -65  | 150 | °C    |
| Tambient | Ambient Operating Temp•(Commerical Grade) | 0    | +70 | °C    |
| Tambient | Ambient Operating Temp•(Industrial Grade) | -40  | +85 | °C    |
| Tcase    | Case Temperature                          |      | 115 | °C    |
| ESD prot | Input ESD protection•human body model     | 2000 |     | V     |

## Electrical Characteristics–REF-14.318/25 MHz

T<sub>A</sub> = T<sub>AMBIENT</sub>; V<sub>DD</sub> = 3.3 V +/-5%; R<sub>S</sub>=33Ω, C<sub>L</sub> = 5 pF (unless otherwise specified)

| PARAMETER           | SYMBOL                   | CONDITIONS                                       | MIN | TYP | MAX | UNITS | Notes |
|---------------------|--------------------------|--|-----|-----|-----|-------|-------|
| Output High Voltage | V <sub>OH</sub>          | I <sub>OH</sub> = -1 mA                          | 2.4 |     |     | V     | 1     |
| Output Low Voltage  | V <sub>OL</sub>          | I <sub>OL</sub> = 1 mA                           |     |     | 0.4 | V     | 1     |
| Rise                | t <sub>r1</sub>          | V <sub>OL</sub> = 0.4 V, V <sub>OH</sub> = 2.4 V | 1   | 1.4 | 2.5 | ns    | 1     |
| Fall Time           | t <sub>f1</sub>          | V <sub>OH</sub> = 2.4 V, V <sub>OL</sub> = 0.4 V | 1   | 1.4 | 2.5 | ns    | 1     |
| Duty Cycle          | d <sub>t1</sub>          | V <sub>T</sub> = 1.5 V                           | 45  | 53  | 55  | %     | 1     |
| Jitter              | t <sub>jcyC-cycCOM</sub> | V <sub>T</sub> = 1.5 V (commercial)              |     | 87  | 200 | ps    | 1     |
| Jitter              | t <sub>jcyC-cycIND</sub> | V <sub>T</sub> = 1.5 V (industrial)              |     | 87  | 250 | ps    | 1     |

<sup>1</sup>Guaranteed by design and characterization, not 100% tested in production.

<sup>2</sup>Trim capacitors must be used to tune the REF to the exact Crystal Frequency.

## Electrical Characteristics–Differential Phase Jitter Parameters

T<sub>A</sub> = Commercial and Industrial, Supply Voltage VDD = 3.3 V +/-5%

| PARAMETER     | Symbol                  | Conditions                                  | Min | Typ  | Max | Units       | Notes |
|---------------|-------------------------|---|-----|------|-----|-------------|-------|
| Jitter, Phase | t <sub>jphasePLL</sub>  | PCIe Gen 1                                  |     | 25.2 | 86  | ps (p-p)    | 1,2   |
|               | t <sub>jphaseLo</sub>   | PCIe Gen1/2<br>10kHz < f < 1.5MHz           |     | 0.8  | 3   | ps<br>(RMS) | 1,2   |
|               | t <sub>jphaseHigh</sub> | PCIe Gen1/2<br>1.5MHz < f < Nyquist (50MHz) |     | 1.8  | 3.1 | ps<br>(RMS) | 1,2   |
|               | t <sub>jphQPI</sub>     | QPI 133MHz 4.8G/6.4Gb, 12UI                 |     | 0.2  | 0.5 | ps<br>(RMS) | 1,3   |
|               | t <sub>jphFBD3.2G</sub> | FBD specs<br>(11 to 33MHz)                  |     | 1.4  | 3   | ps<br>(RMS) | 1     |
|               | t <sub>jphFBD4.8G</sub> | FBD specs                                   |     | 1.1  | 2.5 | ps          | 1     |

<sup>1</sup>Guaranteed by design and characterization, not 100% tested in production.

<sup>2</sup>See <http://www.pcisig.com> for complete specs

<sup>3</sup>First number is 4.8G link speed, second number is 6.4G link speed. From Intel Clock Jit tool

## Electrical Characteristics–Input/Supply/Common Output Parameters

$T_A = T_{AMBIENT}$ ; Supply Voltage  $V_{DD} = 3.3\text{ V} \pm 5\%$

| PARAMETER   | SYMBOL         | CONDITIONS   | MIN            | TYP    | MAX            | UNITS | NOTES |
|---|----------------|--|----------------|--------|----------------|-------|-------|
| Tambient  | $T_{COM}$      | Commercial Temperature                                   | 0              |        | 70             | °C    |       |
| Tambient  | $T_{IND}$      | Industrial Temperature                                   | -40            |        | 85             | °C    |       |
| Input High Voltage  | $V_{IH}$       | 3.3 V +/-5%  | 2              |        | $V_{DD} + 0.3$ | V     | 1     |
| Input Low Voltage   | $V_{IL}$       | 3.3 V +/-5%  | $V_{SS} - 0.3$ |        | 0.8            | V     | 1     |
| Input High Current  | $I_{IH}$       | $V_{IN} = V_{DD}$  | -5             |        | 5              | uA    | 1     |
| Input Low Current   | $I_{IL1}$      | $V_{IN} = 0\text{ V}$ ; Inputs with no pull-up resistors | -5             |        |                | uA    | 1     |
|   | $I_{IL2}$      | $V_{IN} = 0\text{ V}$ ; Inputs with pull-up resistors    | -200           |        |                | uA    | 1     |
| Operating Supply Current<br>( $T_A = \text{Commercial}$ ) | $IDD_{VDD}$    | $C_L = \text{Full load}$ ; $f_{out} = 400\text{ MHz}$    |                | 182    | 205            | mA    | 1     |
|   | $IDD_{VDDA}$   |  |                | 20     | 25             | mA    | 1     |
|   | $IDD_{VDD}$    | $C_L = \text{Full load}$ ; $f_{out} = 100\text{ MHz}$    |                | 153    | 175            | mA    | 1     |
|   | $IDD_{VDDA}$   |  |                | 19     | 25             | mA    | 1     |
| DIF_STOP# Current<br>( $T_A = \text{Commercial}$ )        | $IDD_{VDDPD}$  | All DIF pairs stopped in driven mode                     |                | 146    | 165            | mA    | 1     |
|   | $IDD_{VDDAPD}$ |  |                | 19     | 25             | mA    | 1     |
|   | $IDD_{VDDPD}$  | All DIF pairs stopped in Hi-Z mode                       |                | 26     | 35             | mA    | 1     |
|   | $IDD_{VDDAPD}$ |  |                | 19     | 25             | mA    | 1     |
| Operating Supply Current<br>( $T_A = \text{Industrial}$ ) | $IDD_{VDD}$    | $C_L = \text{Full load}$ ; $f_{out} = 400\text{ MHz}$    |                | 181    | 225            | mA    | 1     |
|   | $IDD_{VDDA}$   |  |                | 21     | 28             | mA    | 1     |
|   | $IDD_{VDD}$    | $C_L = \text{Full load}$ ; $f_{out} = 100\text{ MHz}$    |                | 152    | 180            | mA    | 1     |
|   | $IDD_{VDDA}$   |  |                | 20     | 28             | mA    | 1     |
| DIF_STOP# Current<br>( $T_A = \text{Industrial}$ )        | $IDD_{VDDPD}$  | All DIF pairs stopped in driven mode                     |                | 145    | 175            | mA    | 1     |
|   | $IDD_{VDDAPD}$ |  |                | 20     | 28             | mA    | 1     |
|   | $IDD_{VDDPD}$  | All DIF pairs stopped in Hi-Z mode                       |                | 26     | 38             | mA    | 1     |
|   | $IDD_{VDDAPD}$ |  |                | 20     | 28             | mA    | 1     |
| Input Frequency <sup>3</sup>                              | $F_i$          | SEL14M_25M# = 0  | 22.50          | 25     | 28.00          | MHz   | 3     |
|   |                | SEL14M_25M# = 1  | 12.89          | 14.318 | 15.75          | MHz   | 3     |
| Pin Inductance <sup>1</sup>                               | $L_{pin}$      |  |                |        | 7              | nH    | 1     |
| Input/Output Capacitance <sup>1</sup>                     | $C_{IN}$       | Logic Inputs   | 1.5            |        | 5              | pF    | 1     |
|   | $C_{OUT}$      | Output pin capacitance                                   |                |        | 6              | pF    | 1     |
| Clk Stabilization <sup>1,2</sup>                          | $T_{STABcom}$  | From $V_{DD}$ Power-Up to 1st clock                      |                | 1.2    | 1.8            | ms    | 1,2   |
|   | $T_{STABind}$  | From $V_{DD}$ Power-Up to 1st clock                      |                | 1.8    | 3              | ms    | 1,2   |
| Spread Modulation Frequency                               | $f_{MOD}$      | SEL14M_25M# = 0  | 30             | 31.5   | 33             | kHz   | 1,3,4 |
|   |                | SEL14M_25M# = 1  | 30             | 31.5   | 33             | kHz   | 1,3,4 |
| Spread Modulation %                                       | $f_{MOD\%DWN}$ | Down Spread Selected                                     |                |        | -0.5           | %     | 1,3,4 |
| Spread Modulation %                                       | $f_{MOD\%CTR}$ | Center Spread Selected                                   |                |        | +/-0.25        | %     | 1,3,4 |
| DIF output enable   | $t_{DIFOE}$    | DIF output enable after                                  |                |        | 15             | ns    | 1     |
| Input Rise and Fall times                                 | $t_R/t_F$      | 20% to 80% of VDD  |                |        | 5              | ns    | 1     |

<sup>1</sup>Guaranteed by design and characterization, not 100% tested in production.

<sup>2</sup>See timing diagrams for timing requirements.

<sup>3</sup> Input frequency should be measured at the REF pin and tuned to 0 PPM to meet ppm frequency accuracy on PLL outputs.

<sup>4</sup> These values assume 25MHz or 14.31818MHz inputs respectively. Using a higher or lower frequency will scale these frequencies accordingly. The output frequency selected by the FS inputs will also scale. For example, 27MHz input with an FS selection of 100MHz will yield an output frequency of  $27/25 \times 100 = 108\text{MHz}$ .

## Electrical Characteristics–DIF 0.7V Current Mode Differential Pair

$T_A = T_{AMBIENT}$ ;  $V_{DD} = 3.3\text{ V} \pm 5\%$ ;  $C_L = 2\text{pF}$ ,  $R_S = 33.2\Omega$ ,  $R_P = 49.9\Omega$ ,  $I_{REF} = 475\mu\text{A}$

| PARAMETER                       | SYMBOL        | CONDITIONS   | MIN    | TYP | MAX     | UNITS    | NOTES |
|---------------------------------|---------------|--|--------|-----|---------|----------|-------|
| Current Source Output Impedance | $Z_o^1$       | $V_O = V_x$  | 3000   |     |         | $\Omega$ | 1     |
| Voltage High                    | VHigh         | Statistical measurement on single ended signal using oscilloscope math function. | 660    | 750 | 850     | mV       | 1     |
| Voltage Low                     | VLow          |  | -150   | 3   | 150     |          |       |
| Max Voltage                     | Vovs          | Measurement on single ended signal using absolute value.                         |        |     | 1150    | mV       | 1     |
| Min Voltage                     | Vuds          |  | -300   |     |         |          | 1     |
| Crossing Voltage (abs)          | Vcross(abs)   |  | 250    | 336 | 550     | mV       | 1     |
| Crossing Voltage (var)          | d-Vcross      | Crossing variation over all edges  |        | 40  | 140     | mV       | 1     |
| Long Accuracy                   | ppm           | 14.3M input, SS OFF  | -300   |     | 300     | ppm      | 1,2,5 |
|                                 |               | 14.3M input, SS ON   | -300   |     | 300     | ppm      | 1,2,5 |
|                                 |               | 25M input SS OFF   | -50    |     | 50      | ppm      | 1,2,5 |
|                                 |               | 25M input, SS ON   | -300   |     | 300     | ppm      | 1,2,5 |
| Average period                  | Tperiod       | 400MHz nominal   | 2.4993 |     | 2.5008  | ns       | 2     |
|                                 |               | 400MHz spread  | 2.4993 |     | 2.5133  | ns       | 2,3   |
|                                 |               | 333.33MHz nominal  | 2.9991 |     | 3.0009  | ns       | 2     |
|                                 |               | 333.33MHz spread   | 2.9991 |     | 3.016   | ns       | 2,3   |
|                                 |               | 266.66MHz nominal  | 3.7489 |     | 3.7511  | ns       | 2     |
|                                 |               | 266.66MHz spread   | 3.7489 |     | 3.77    | ns       | 2,3   |
|                                 |               | 200MHz nominal   | 4.9985 |     | 5.0015  | ns       | 2     |
|                                 |               | 200MHz spread  | 4.9985 |     | 5.0266  | ns       | 2,3   |
|                                 |               | 166.66MHz nominal  | 5.9982 |     | 6.0018  | ns       | 2     |
|                                 |               | 166.66MHz spread   | 5.9982 |     | 6.0320  | ns       | 2,3   |
|                                 |               | 133.33MHz nominal  | 7.4978 |     | 7.5023  | ns       | 2     |
|                                 |               | 133.33MHz spread   | 7.4978 |     | 5.4000  | ns       | 2,3   |
|                                 |               | 100.00MHz nominal  | 9.9970 |     | 10.0030 | ns       | 2     |
|                                 |               | 100.00MHz spread   | 9.9970 |     | 10.0533 | ns       | 2,3   |
| Absolute min period             | $T_{absmin}$  | 400MHz nominal/spread  | 2.4143 |     |         | ns       | 1,2   |
|                                 |               | 333.33MHz nominal/spread   | 2.9141 |     |         | ns       | 1,2   |
|                                 |               | 266.66MHz nominal/spread   | 3.6639 |     |         | ns       | 1,2   |
|                                 |               | 200MHz nominal/spread  | 4.8735 |     |         | ns       | 1,2   |
|                                 |               | 166.66MHz nominal/spread   | 5.8732 |     |         | ns       | 1,2   |
|                                 |               | 133.33MHz nominal/spread   | 7.3728 |     |         | ns       | 1,2   |
|                                 |               | 100.00MHz nominal/spread   | 9.8720 |     |         | ns       | 1,2   |
| Rise Time                       | $t_r$         | $V_{OL} = 0.175\text{V}$ , $V_{OH} = 0.525\text{V}$                              | 175    | 241 | 700     | ps       | 1     |
| Fall Time                       | $t_f$         | $V_{OH} = 0.525\text{V}$ $V_{OL} = 0.175\text{V}$                                | 175    | 260 | 700     | ps       | 1     |
| Rise Time Variation             | $d-t_r$       |  | 0      | 18  | 125     | ps       | 1     |
| Fall Time Variation             | $d-t_f$       |  | 0      | 19  | 125     | ps       | 1     |
| Duty Cycle                      | $d_{13}$      | Measured Differentially  | 45     | 50  | 55      | %        | 1     |
| Skew, output to output          | $t_{sk3COM}$  | $T_A = \text{Commercial}$ , $V_T = 50\%$   |        | 30  | 50      | ps       | 1     |
|                                 | $t_{sk3IND}$  | $T_A = \text{Industrial}$ , $V_T = 50\%$   |        | 35  | 65      | ps       | 1     |
| Jitter, Cycle to cycle          | $t_{jcy-cyc}$ | Measurement from differential waveform   |        | 17  | 50      | ps       | 1     |

<sup>1</sup>Guaranteed by design and characterization, not 100% tested in production.

<sup>2</sup>All Long Term Accuracy

<sup>3</sup>Figures are for down spread.

<sup>4</sup>This figure is the peak-to-peak phase jitter as defined by PCI-SIG for a PCI Express reference clock. Please visit <http://www.pcisig.com> for additional details

<sup>5</sup>+/- 50 ppm at any frequency with spread off

## General SMBus Serial Interface Information for ICS9FG108E

### How to Write

- Controller (host) sends a start bit
- Controller (host) sends the write address
- IDT clock will **acknowledge**
- Controller (host) sends the beginning byte location = N
- IDT clock will **acknowledge**
- Controller (host) sends the byte count = X
- IDT clock will **acknowledge**
- Controller (host) starts sending Byte N through Byte N+X-1
- IDT clock will **acknowledge** each byte **one at a time**
- Controller (host) sends a Stop bit

| Index Block Write Operation |           |        |                      |
|-----------------------------|-----------|--------|----------------------|
| Controller (Host)           |           |        | IDT (Slave/Receiver) |
| T                           | starT bit |        |                      |
| Slave Address               |           |        |                      |
| WR                          | WRite     |        |                      |
|                             |           |        | ACK                  |
| Beginning Byte = N          |           |        | ACK                  |
|                             |           |        | ACK                  |
| Data Byte Count = X         |           |        | ACK                  |
|                             |           |        | ACK                  |
| Beginning Byte N            |           | X Byte | ACK                  |
| O                           |           |        | O                    |
| O                           |           |        | O                    |
| O                           |           |        | O                    |
| Byte N + X - 1              |           |        | ACK                  |
| P                           | stoP bit  |        |                      |

| Read Address      | Write Address     |
|-------------------|-------------------|
| DD <sub>(H)</sub> | DC <sub>(H)</sub> |

### How to Read

- Controller (host) will send a start bit
- Controller (host) sends the write address
- IDT clock will **acknowledge**
- Controller (host) sends the beginning byte location = N
- IDT clock will **acknowledge**
- Controller (host) will send a separate start bit
- Controller (host) sends the read address
- IDT clock will **acknowledge**
- IDT clock will send the data byte count = X
- IDT clock sends Byte N+X-1
- IDT clock sends **Byte 0 through Byte X (if X<sub>(H)</sub> was written to Byte 8)**
- Controller (host) will need to acknowledge each byte
- Controller (host) will send a not acknowledge bit
- Controller (host) will send a stop bit

| Index Block Read Operation |                 |        |                      |
|----------------------------|-----------------|--------|----------------------|
| Controller (Host)          |                 |        | IDT (Slave/Receiver) |
| T                          | starT bit       |        |                      |
| Slave Address              |                 |        |                      |
| WR                         | WRite           |        |                      |
|                            |                 |        | ACK                  |
| Beginning Byte = N         |                 |        | ACK                  |
|                            |                 |        | ACK                  |
| RT                         | Repeat starT    |        |                      |
| Slave Address              |                 |        |                      |
| RD                         | ReaD            |        |                      |
|                            |                 |        | ACK                  |
|                            |                 |        | Data Byte Count=X    |
| ACK                        |                 | X Byte | Beginning Byte N     |
| ACK                        |                 |        | O                    |
| O                          |                 |        | O                    |
| O                          |                 |        | O                    |
|                            |                 |        | Byte N + X - 1       |
| N                          | Not acknowledge |        |                      |
| P                          | stoP bit        |        |                      |



**SMBus Table: Device Control Register, READ/WRITE ADDRESS (DC/DD)**

| Byte 0 | Pin # | Name  | Control Function           | Type | 0                                     | 1               | Default |
|--------|-------|---|----------------------------|------|---------------------------------------|-----------------|---------|
| Bit 7  | 27    |   | FS3 <sup>1</sup>           | RW   | See Frequency Selection Table, Page 1 |                 | Pin 27  |
| Bit 6  | 5     |   | FS2 <sup>1</sup>           | RW   |                                       |                 | Pin 5   |
| Bit 5  | 44    |   | FS1 <sup>1</sup>           | RW   |                                       |                 | Pin 44  |
| Bit 4  | 7     |   | FS0 <sup>1</sup>           | RW   |                                       |                 | Pin 7   |
| Bit 3  | 26    |   | Spread Enable <sup>1</sup> | RW   | Off                                   | On              | Pin 26  |
| Bit 2  | -     | Enable Software Control of Frequency, Spread Enable (Spread Type always Software Control) |                            | RW   | Hardware Select                       | Software Select | 0       |
| Bit 1  | -     | DIF_STOP# drive mode  |                            | RW   | Driven                                | Hi-Z            | 0       |
| Bit 0  | -     | Spread Type   |                            | RW   | Down                                  | Center          | 0       |

Notes:

1. These bits reflect the state of the corresponding pins at power up, but may be written to if Byte 0, bit 2 is set to '1'. FS3 is the SEL14M\_25M# pin.

**SMBus Table: Output Enable Register**

| Byte 1 | Pin # | Name     | Control Function | Type | 0       | 1      | Default |
|--------|-------|----------|------------------|------|---------|--------|---------|
| Bit 7  | -     | DIF_7 EN | Output Enable    | RW   | Disable | Enable | 1       |
| Bit 6  | -     | DIF_6 EN | Output Enable    | RW   | Disable | Enable | 1       |
| Bit 5  | -     | DIF_5 EN | Output Enable    | RW   | Disable | Enable | 1       |
| Bit 4  | -     | DIF_4 EN | Output Enable    | RW   | Disable | Enable | 1       |
| Bit 3  | -     | DIF_3 EN | Output Enable    | RW   | Disable | Enable | 1       |
| Bit 2  | -     | DIF_2 EN | Output Enable    | RW   | Disable | Enable | 1       |
| Bit 1  | -     | DIF_1 EN | Output Enable    | RW   | Disable | Enable | 1       |
| Bit 0  | -     | DIF_0 EN | Output Enable    | RW   | Disable | Enable | 1       |

**Note:** Byte 1 sets outputs active or inactive, not the conditions set by the OE inputs.

**SMBus Table: Output Stop Mode Register**

| Byte 2 | Pin # | Name          | Control Function      | Type | 0        | 1         | Default |
|--------|-------|---------------|-----------------------|------|----------|-----------|---------|
| Bit 7  | -     | DIF_7 STOP EN | Free Run/ Stop Enable | RW   | Free-run | Stop-able | 0       |
| Bit 6  | -     | DIF_6 STOP EN | Free Run/ Stop Enable | RW   | Free-run | Stop-able | 0       |
| Bit 5  | -     | DIF_5 STOP EN | Free Run/ Stop Enable | RW   | Free-run | Stop-able | 0       |
| Bit 4  | -     | DIF_4 STOP EN | Free Run/ Stop Enable | RW   | Free-run | Stop-able | 0       |
| Bit 3  | -     | DIF_3 STOP EN | Free Run/ Stop Enable | RW   | Free-run | Stop-able | 0       |
| Bit 2  | -     | DIF_2 STOP EN | Free Run/ Stop Enable | RW   | Free-run | Stop-able | 0       |
| Bit 1  | -     | DIF_1 STOP EN | Free Run/ Stop Enable | RW   | Free-run | Stop-able | 0       |
| Bit 0  | -     | DIF_0 STOP EN | Free Run/ Stop Enable | RW   | Free-run | Stop-able | 0       |

SMBus Table: Frequency Select Readback Register

| Byte 3 | Pin # | Name                              | Control Function | Type | 0   | 1  | Default |
|--------|-------|-----------------------------------|------------------|------|---|----|---------|
| Bit 7  | 27    | SEL14M_25M# <sup>1</sup><br>(FS3) | State of pin 27  | R    | See Frequency<br>Selection Table,<br>Page 1 |    | Pin 27  |
| Bit 6  | 6     | FS2 <sup>1</sup>                  | State of pin 6   | R    |   |    | Pin 6   |
| Bit 5  | 44    | FS1 <sup>1</sup>                  | State of pin 44  | R    |   |    | Pin 44  |
| Bit 4  | 45    | FS0 <sup>1</sup>                  | State of pin 45  | R    |   |    | Pin 45  |
| Bit 3  | 26    | SPREAD <sup>1</sup>               | State of pin 26  | R    | Off   | On | Pin 26  |
| Bit 2  |       |                                   | Reserved         | R    | Reserved                                    |    | X       |
| Bit 1  |       |                                   | Reserved         | R    | Reserved                                    |    | X       |
| Bit 0  |       |                                   | Reserved         | R    | Reserved                                    |    | X       |

## Notes:

1. These bits reflect the state of the corresponding pins, regardless of whether software programming is enabled or not.

SMBus Table: Vendor &amp; Revision ID Register

| Byte 4 | Pin # | Name | Control Function | Type | 0            | 1 | Default |
|--------|-------|------|------------------|------|--------------|---|---------|
| Bit 7  | -     | RID3 | REVISION ID      | R    | Rev E = 1000 |   | X       |
| Bit 6  | -     | RID2 |                  | R    |              |   | X       |
| Bit 5  | -     | RID1 |                  | R    |              |   | X       |
| Bit 4  | -     | RID0 |                  | R    |              |   | X       |
| Bit 3  | -     | VID3 | VENDOR ID        | R    | -            | - | 0       |
| Bit 2  | -     | VID2 |                  | R    | -            | - | 0       |
| Bit 1  | -     | VID1 |                  | R    | -            | - | 0       |
| Bit 0  | -     | VID0 |                  | R    | -            | - | 1       |

SMBus Table: DEVICE ID

| Byte 5 | Pin # | Name   | Control Function   | Type | 0        | 1 | Default |
|--------|-------|--------|--------------------|------|----------|---|---------|
| Bit 7  | -     | DEVID7 | Device ID = 08 hex | R    | Reserved |   | 0       |
| Bit 6  | -     | DEVID6 |                    | R    | Reserved |   | 0       |
| Bit 5  | -     | DEVID5 |                    | R    | Reserved |   | 0       |
| Bit 4  | -     | DEVID4 |                    | R    | Reserved |   | 0       |
| Bit 3  | -     | DEVID3 |                    | R    | Reserved |   | 1       |
| Bit 2  | -     | DEVID2 |                    | R    | Reserved |   | 0       |
| Bit 1  | -     | DEVID1 |                    | R    | Reserved |   | 0       |
| Bit 0  | -     | DEVID0 |                    | R    | Reserved |   | 0       |

SMBus Table: Byte Count Register

| Byte 6 | Pin # | Name | Control Function  | Type | 0 | 1 | Default |
|--------|-------|------|---|------|---|---|---------|
| Bit 7  | -     | BC7  | Writing to this register<br>will configure how many<br>bytes will be read back,<br>default is 07 = 7 bytes. | RW   | - | - | 0       |
| Bit 6  | -     | BC6  |   | RW   | - | - | 0       |
| Bit 5  | -     | BC5  |   | RW   | - | - | 0       |
| Bit 4  | -     | BC4  |   | RW   | - | - | 0       |
| Bit 3  | -     | BC3  |   | RW   | - | - | 0       |
| Bit 2  | -     | BC2  |   | RW   | - | - | 1       |
| Bit 1  | -     | BC1  |   | RW   | - | - | 1       |
| Bit 0  | -     | BC0  |   | RW   | - | - | 1       |

SMBus Table: Reserved Register

| Byte 7 | Pin # | Name | Control Function | Type | 0 | 1 | Default |
|--------|-------|------|------------------|------|---|---|---------|
| Bit 7  |       |      | Reserved         |      |   |   | X       |
| Bit 6  |       |      | Reserved         |      |   |   | X       |
| Bit 5  |       |      | Reserved         |      |   |   | X       |
| Bit 4  |       |      | Reserved         |      |   |   | X       |
| Bit 3  |       |      | Reserved         |      |   |   | X       |
| Bit 2  |       |      | Reserved         |      |   |   | X       |
| Bit 1  |       |      | Reserved         |      |   |   | X       |
| Bit 0  |       |      | Reserved         |      |   |   | X       |

SMBus Table: Reserved Register

| Byte 8 | Pin # | Name | Control Function | Type | 0 | 1 | Default |
|--------|-------|------|------------------|------|---|---|---------|
| Bit 7  |       |      | Reserved         |      |   |   | X       |
| Bit 6  |       |      | Reserved         |      |   |   | X       |
| Bit 5  |       |      | Reserved         |      |   |   | X       |
| Bit 4  |       |      | Reserved         |      |   |   | X       |
| Bit 3  |       |      | Reserved         |      |   |   | X       |
| Bit 2  |       |      | Reserved         |      |   |   | X       |
| Bit 1  |       |      | Reserved         |      |   |   | X       |
| Bit 0  |       |      | Reserved         |      |   |   | X       |

SMBus Table: M/N Programming Enable

| Byte 9 | Pin # | Name        | Control Function             | Type | 0       | 1      | Default |
|--------|-------|-------------|------------------------------|------|---------|--------|---------|
| Bit 7  | -     | M/N_EN      | PLL M/N Programming Enable   | RW   | Disable | Enable | 0       |
| Bit 6  | -     | OE_Polarity | Select Polarity of OE inputs | RW   | OE#     | OE     | 1       |
| Bit 5  | 5     | REFOUT_En   | Enables/Disables REF         | RW   | Disable | Enable | 1       |
| Bit 4  |       |             | Reserved                     |      |         |        | 0       |
| Bit 3  |       |             | Reserved                     |      |         |        | 0       |
| Bit 2  |       |             | Reserved                     |      |         |        | 0       |
| Bit 1  |       |             | Reserved                     |      |         |        | 0       |
| Bit 0  |       |             | Reserved                     |      |         |        | 0       |

SMBus Table: PLL Frequency Control Register

| Byte 10 | Pin # | Name       | Control Function                | Type | 0   | 1 | Default |
|---------|-------|------------|---------------------------------|------|---|---|---------|
| Bit 7   | -     | PLL N Div8 | N Divider Prog bit 8            | RW   | The decimal representation of M and N Divider in Byte 11 and 12 will configure the PLL VCO frequency. Default at power up = latch-in or Byte 0 Rom table. VCO Frequency = $f_{XTAL} \times [N_{Div}(9:0)+8] / [M_{Div}(5:0)+2]$ |   | X       |
| Bit 6   | -     | PLL N Div9 | N Divider Prog bit 9            | RW   |   |   | X       |
| Bit 5   | -     | PLL M Div5 | M Divider Programming bit (5:0) | RW   |   |   | X       |
| Bit 4   | -     | PLL M Div4 |                                 | RW   |   |   | X       |
| Bit 3   | -     | PLL M Div3 |                                 | RW   |   |   | X       |
| Bit 2   | -     | PLL M Div2 |                                 | RW   |   |   | X       |
| Bit 1   | -     | PLL M Div1 |                                 | RW   |   |   | X       |
| Bit 0   | -     | PLL M Div0 |                                 | RW   |   |   | X       |

SMBus Table: PLL Frequency Control Register

| Byte 11 | Pin # | Name       | Control Function  | Type | 0  | 1 | Default |
|---------|-------|------------|---|------|--|---|---------|
| Bit 7   | -     | PLL N Div7 | N Divider Programming<br>Byte11 bit(7:0) and<br>Byte10 bit(7:6) | RW   | The decimal<br>representation of M and<br>N Divider in Byte 11 and<br>12 will configure the PLL<br>VCO frequency.<br>Default at power up =<br>latch-in or Byte 0 Rom<br>table. VCO Frequency<br>= $f_{XTAL} \times [N_{Div}(9:0)+8]$<br>/ $[M_{Div}(5:0)+2]$ |   | X       |
| Bit 6   | -     | PLL N Div6 |   | RW   |  |   | X       |
| Bit 5   | -     | PLL N Div5 |   | RW   |  |   | X       |
| Bit 4   | -     | PLL N Div4 |   | RW   |  |   | X       |
| Bit 3   | -     | PLL N Div3 |   | RW   |  |   | X       |
| Bit 2   | -     | PLL N Div2 |   | RW   |  |   | X       |
| Bit 1   | -     | PLL N Div1 |   | RW   |  |   | X       |
| Bit 0   | -     | PLL N Div0 |   | RW   |  |   | X       |

SMBus Table: PLL Spread Spectrum Control Register

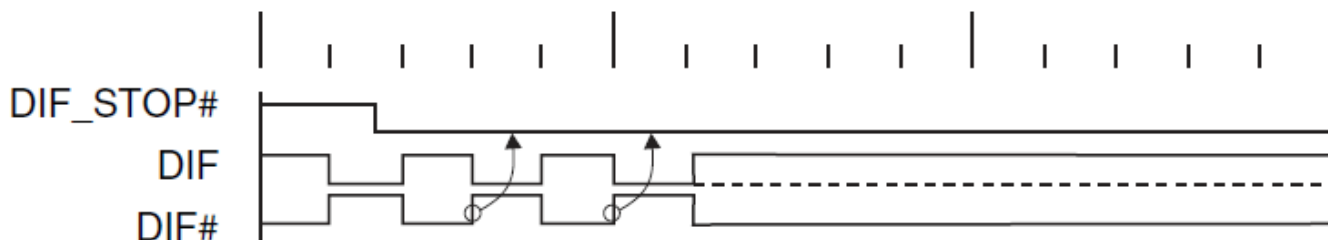
| Byte 12 | Pin # | Name     | Control Function                        | Type | 0  | 1 | Default |
|---------|-------|----------|---|------|--|---|---------|
| Bit 7   | -     | PLL SSP7 | Spread Spectrum<br>Programming bit(7:0) | RW   | These Spread<br>Spectrum bits in<br>Byte 13 and 14 will<br>program the spread<br>percentage of PLL |   | X       |
| Bit 6   | -     | PLL SSP6 |   | RW   |  |   | X       |
| Bit 5   | -     | PLL SSP5 |   | RW   |  |   | X       |
| Bit 4   | -     | PLL SSP4 |   | RW   |  |   | X       |
| Bit 3   | -     | PLL SSP3 |   | RW   |  |   | X       |
| Bit 2   | -     | PLL SSP2 |   | RW   |  |   | X       |
| Bit 1   | -     | PLL SSP1 |   | RW   |  |   | X       |
| Bit 0   | -     | PLL SSP0 |   | RW   |  |   | X       |

SMBus Table: PLL Spread Spectrum Control Register

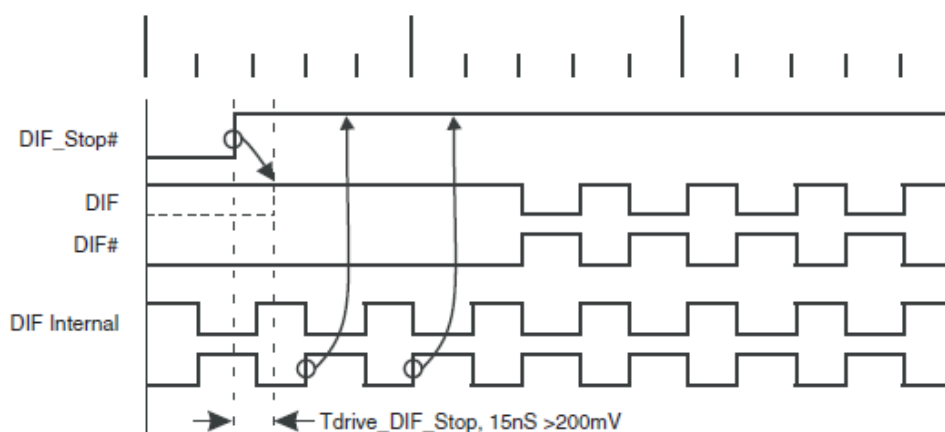
| Byte 13 | Pin # | Name      | Control Function                         | Type | 0  | 1 | Default |
|---------|-------|-----------|--|------|--|---|---------|
| Bit 7   | -     | Reserved  |  |      |  |   | 0       |
| Bit 6   | -     | PLL SSP14 | Spread Spectrum<br>Programming bit(14:8) | RW   | These Spread<br>Spectrum bits in<br>Byte 13 and 14 will<br>program the spread<br>percentage of PLL |   | X       |
| Bit 5   | -     | PLL SSP13 |  | RW   |  |   | X       |
| Bit 4   | -     | PLL SSP12 |  | RW   |  |   | X       |
| Bit 3   | -     | PLL SSP11 |  | RW   |  |   | X       |
| Bit 2   | -     | PLL SSP10 |  | RW   |  |   | X       |
| Bit 1   | -     | PLL SSP9  |  | RW   |  |   | X       |
| Bit 0   | -     | PLL SSP8  |  | RW   |  |   | X       |

**DIF\_STOP# - Assertion (transition from '1' to '0')**

Asserting DIF\_STOP# pin stops all DIF outputs that are set to be stoppable after their next transition. When the SMBus DIF\_STOP tri-state bit corresponding to the DIF output of interest is programmed to a '0', DIF output will stop DIF\_True = HIGH and DIF\_Complement = LOW. When the SMBus DIF\_STOP tri-state bit corresponding to the DIF output of interest is programmed to a '1', DIF outputs will be tri-stated.

**DIF\_STOP# - De-assertion (transition from '0' to '1')**

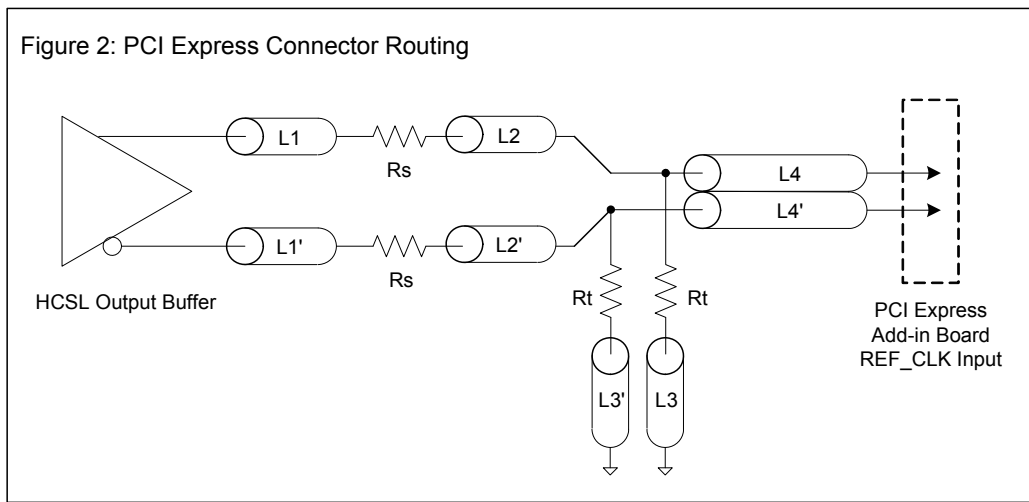
With the de-assertion of DIF\_STOP# all stopped DIF outputs will resume without a glitch. The maximum latency from the de-assertion to active outputs is 2 - 6 DIF clock periods. If the control register tristate bit corresponding to the output of interest is programmed to '1', then the stopped DIF outputs will be driven High within 15nS of DIF\_Stop# de-assertion to a voltage greater than 200mV.



| DIF Reference Clock                             |                    |      |        |
|---|--------------------|------|--------|
| Common Recommendations for Differential Routing | Dimension or Value | Unit | Figure |
| L1 length, route as non-coupled 50ohm trace     | 0.5 max            | inch | 1      |
| L2 length, route as non-coupled 50ohm trace     | 0.2 max            | inch | 1      |
| L3 length, route as non-coupled 50ohm trace     | 0.2 max            | inch | 1      |
| Rs  | 33                 | ohm  | 1      |
| Rt  | 49.9               | ohm  | 1      |

| Down Device Differential Routing                                 |                     |      |   |
|--|---------------------|------|---|
| L4 length, route as coupled microstrip 100ohm differential trace | 2 min to 16 max     | inch | 1 |
| L4 length, route as coupled stripline 100ohm differential trace  | 1.8 min to 14.4 max | inch | 1 |

| Differential Routing to PCI Express Connector                    |                       |      |   |
|--|-----------------------|------|---|
| L4 length, route as coupled microstrip 100ohm differential trace | 0.25 to 14 max        | inch | 2 |
| L4 length, route as coupled stripline 100ohm differential trace  | 0.225 min to 12.6 max | inch | 2 |

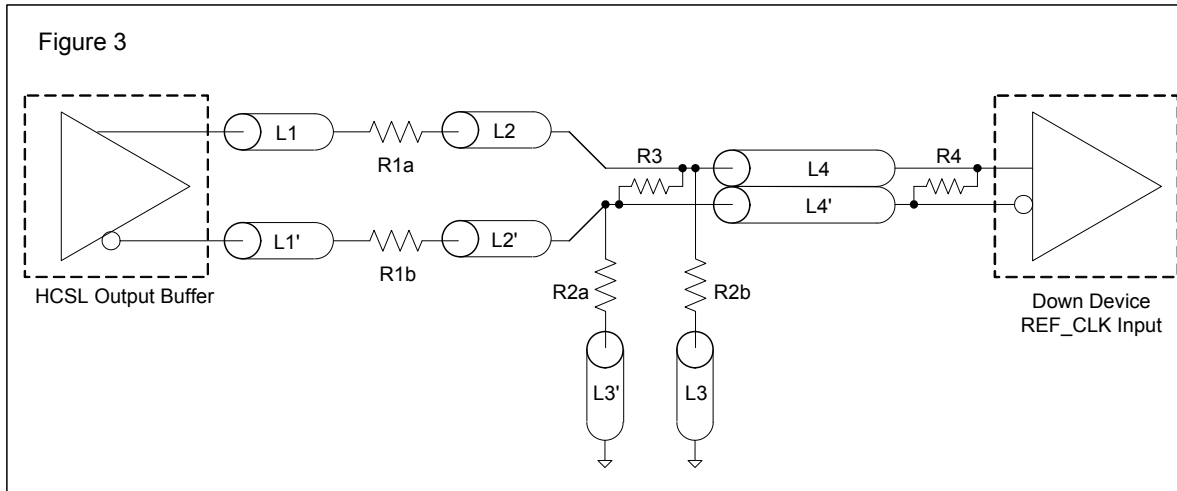


**Alternative Termination for LVDS and other Common Differential Signals (figure 3)**

| Vdiff | Vp-p  | Vcm  | R1 | R2   | R3   | R4  | Note                           |
|-------|-------|------|----|------|------|-----|--------------------------------|
| 0.45v | 0.22v | 1.08 | 33 | 150  | 100  | 100 |                                |
| 0.58  | 0.28  | 0.6  | 33 | 78.7 | 137  | 100 |                                |
| 0.80  | 0.40  | 0.6  | 33 | 78.7 | none | 100 | ICS874003i-02 input compatible |
| 0.60  | 0.3   | 1.2  | 33 | 174  | 140  | 100 | Standard LVDS                  |

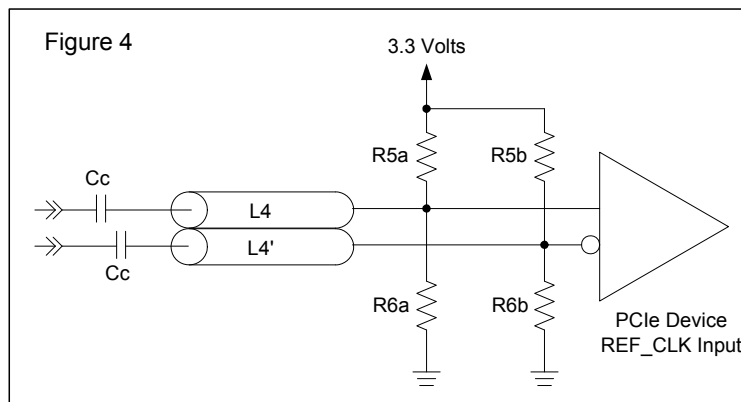
R1a = R1b = R1

R2a = R2b = R2



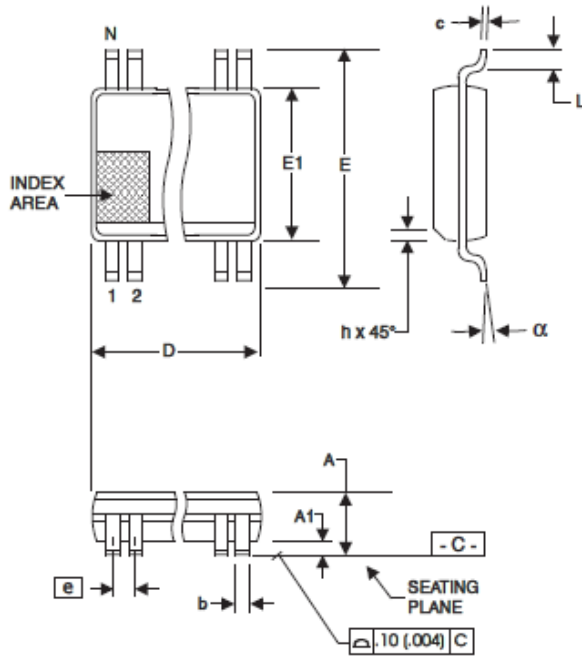
**Cable Connected AC Coupled Application (figure 4)**

| Component | Value       | Note |
|-----------|-------------|------|
| R5a, R5b  | 8.2K 5%     |      |
| R6a, R6b  | 1K 5%       |      |
| Cc        | 0.1 $\mu$ F |      |
| Vcm       | 0.350 volts |      |



## Package Outline and Package Dimensions (48-SSOP)

48-Lead 300 mil SSOP



| SYMBOL | In Millimeters<br>COMMON DIMENSIONS |       | In Inches<br>COMMON DIMENSIONS |       |
|--------|-------------------------------------|-------|--------------------------------|-------|
|        | MIN                                 | MAX   | MIN                            | MAX   |
| A      | 2.41                                | 2.80  | .095                           | .110  |
| A1     | 0.20                                | 0.40  | .008                           | .016  |
| b      | 0.20                                | 0.34  | .008                           | .0135 |
| c      | 0.13                                | 0.25  | .005                           | .010  |
| D      | SEE VARIATIONS                      |       | SEE VARIATIONS                 |       |
| E      | 10.03                               | 10.68 | .395                           | .420  |
| E1     | 7.40                                | 7.60  | .291                           | .299  |
| e      | 0.635 BASIC                         |       | 0.025 BASIC                    |       |
| h      | 0.38                                | 0.64  | .015                           | .025  |
| L      | 0.50                                | 1.02  | .020                           | .040  |
| N      | SEE VARIATIONS                      |       | SEE VARIATIONS                 |       |
| α      | 0°                                  | 8°    | 0°                             | 8°    |

### VARIATIONS

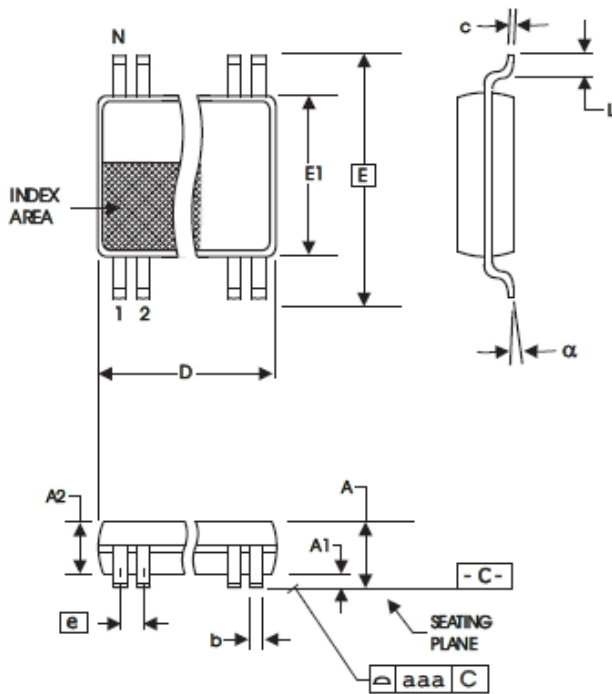
| N  | D mm. |       | D (inch) |      |
|----|-------|-------|----------|------|
|    | MIN   | MAX   | MIN      | MAX  |
| 48 | 15.75 | 16.00 | .620     | .630 |

Reference Doc.: JEDEC Publication 95, MO-118

10-0034



## Package Outline and Package Dimensions (48-TSSOP)



48-Lead, 6.10 mm. Body, 0.50 mm. Pitch TSSOP  
(240 mil) (20 mil)

| SYMBOL | In Millimeters<br>COMMON DIMENSIONS |      | In Inches<br>COMMON DIMENSIONS |      |
|--------|-------------------------------------|------|--------------------------------|------|
|        | MIN                                 | MAX  | MIN                            | MAX  |
| A      | --                                  | 1.20 | --                             | .047 |
| A1     | 0.05                                | 0.15 | .002                           | .006 |
| A2     | 0.80                                | 1.05 | .032                           | .041 |
| b      | 0.17                                | 0.27 | .007                           | .011 |
| c      | 0.09                                | 0.20 | .0035                          | .008 |
| D      | SEE VARIATIONS                      |      | SEE VARIATIONS                 |      |
| E      | 8.10 BASIC                          |      | 0.319 BASIC                    |      |
| E1     | 6.00                                | 6.20 | .236                           | .244 |
| e      | 0.50 BASIC                          |      | 0.020 BASIC                    |      |
| L      | 0.45                                | 0.75 | .018                           | .030 |
| N      | SEE VARIATIONS                      |      | SEE VARIATIONS                 |      |
| α      | 0°                                  | 8°   | 0°                             | 8°   |
| aaa    | --                                  | 0.10 | --                             | .004 |

### VARIATIONS

| N  | D mm. |       | D (inch) |      |
|----|-------|-------|----------|------|
|    | MIN   | MAX   | MIN      | MAX  |
| 48 | 12.40 | 12.60 | .488     | .496 |

Reference Doc.: JEDEC Publication 95, MO-153

10-0039

## Ordering Information

| Part / Order Number | Shipping Packaging | Package      | Temperature  |
|---------------------|--------------------|--------------|--------------|
| 9FG108EFLF          | Tubes              | 48-pin SSOP  | 0 to +70°C   |
| 9FG108EFLFT         | Tape and Reel      | 48-pin SSOP  | 0 to +70°C   |
| 9FG108EFILF         | Tubes              | 48-pin SSOP  | -40 to +85°C |
| 9FG108EFILFT        | Tape and Reel      | 48-pin SSOP  | -40 to +85°C |
| 9FG108EGLF          | Tubes              | 48-pin TSSOP | 0 to +70°C   |
| 9FG108EGLFT         | Tape and Reel      | 48-pin TSSOP | 0 to +70°C   |
| 9FG108EGILF         | Tubes              | 48-pin TSSOP | -40 to +85°C |
| 9FG108EGILFT        | Tape and Reel      | 48-pin TSSOP | -40 to +85°C |

"LF" suffix to the part number are the Pb-Free configuration and are RoHS compliant.

"E" is the device revision designator (will not correlate with the datasheet revision).

While the information presented herein has been checked for both accuracy and reliability, Integrated Device Technology (IDT) assumes no responsibility for either its use or for the infringement of any patents or other rights of third parties, which would result from its use. No other circuits, patents, or licenses are implied. This product is intended for use in normal commercial applications. Any other applications such as those requiring extended temperature range, high reliability, or other extraordinary environmental requirements are not recommended without additional processing by IDT. IDT reserves the right to change any circuitry or specifications without notice. IDT does not authorize or warrant any IDT product for use in life support devices or critical medical instruments.

**Revision History**

| Rev. | Issue Date | Issuer | Description  | Page # |
|------|------------|--------|--|--------|
| A    | 6/21/2012  | RDW    | Moved from Advance to Final  |        |
| B    | 10/11/2012 | RDW    | Harmonized the Electrical Tables with the 9FG104E  |        |
| C    | 10/29/2012 | AT     | Update the Jitter parameters in the table "Electrical Characteristics – REF 14.318/25MHz" to distinguish between commercial and industrial conditions. Added a separate line for each condition. For commercial, values were changed from 87ps Min & 250ps Max to 87ps Min & 200ps Max. For industrial, values are kept the same – 87ps Min & 250ps Max. | 5      |

**Innovate with IDT and accelerate your future networks. Contact:**

[www.IDT.com](http://www.IDT.com)

**For Sales**

800-345-7015  
408-284-8200  
Fax: 408-284-2775

**For Tech Support**

[www.idt.com/go/clockhelp](http://www.idt.com/go/clockhelp)  
[pclockhelp@idt.com](mailto:pclockhelp@idt.com)

---

**Corporate Headquarters**

Integrated Device Technology, Inc.  
[www.idt.com](http://www.idt.com)





**Стандарт  
Электрон  
Связь**

Мы молодая и активно развивающаяся компания в области поставок электронных компонентов. Мы поставляем электронные компоненты отечественного и импортного производства напрямую от производителей и с крупнейших складов мира.

Благодаря сотрудничеству с мировыми поставщиками мы осуществляем комплексные и плановые поставки широчайшего спектра электронных компонентов.

Собственная эффективная логистика и склад в обеспечивает надежную поставку продукции в точно указанные сроки по всей России.

Мы осуществляем техническую поддержку нашим клиентам и предпродажную проверку качества продукции. На все поставляемые продукты мы предоставляем гарантию .

Осуществляем поставки продукции под контролем ВП МО РФ на предприятия военно-промышленного комплекса России , а также работаем в рамках 275 ФЗ с открытием отдельных счетов в уполномоченном банке. Система менеджмента качества компании соответствует требованиям ГОСТ ISO 9001.

Минимальные сроки поставки, гибкие цены, неограниченный ассортимент и индивидуальный подход к клиентам являются основой для выстраивания долгосрочного и эффективного сотрудничества с предприятиями радиоэлектронной промышленности, предприятиями ВПК и научно-исследовательскими институтами России.

С нами вы становитесь еще успешнее!

**Наши контакты:**

**Телефон:** +7 812 627 14 35

**Электронная почта:** [sales@st-electron.ru](mailto:sales@st-electron.ru)

**Адрес:** 198099, Санкт-Петербург,  
Промышленная ул, дом № 19, литера Н,  
помещение 100-Н Офис 331