



# T4 Series

SNUBBERLESS™ & LOGIC LEVEL

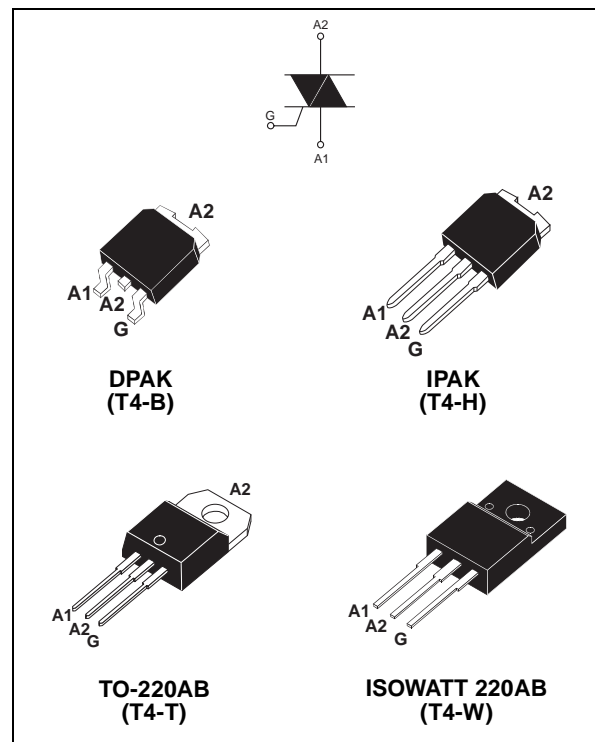
4A TRIACs

## MAIN FEATURES:

| Symbol            | Value      | Unit |
|-------------------|------------|------|
| $I_{T(RMS)}$      | 4          | A    |
| $V_{DRM}/V_{RRM}$ | 600 to 800 | V    |
| $I_{GTT} (Q_1)$   | 5 to 35    | mA   |

## DESCRIPTION

Based on ST's Snubberless / Logic level technology providing high commutation performances, the T4 series is suitable for use on AC inductive loads. They are recommended for applications using universal motors, electrovalves.... such as kitchen aid equipments, power tools, dishwashers,... Available in a fully insulated package, the T4...-...W version complies with UL standards (ref. E81734).



## ABSOLUTE MAXIMUM RATINGS

| Symbol             | Parameter  |                          | Value                     | Unit                           |                        |
|--------------------|--|--------------------------|---------------------------|--------------------------------|------------------------|
| $I_{T(RMS)}$       | RMS on-state current (full sine wave)  | DKPAK / IPAK<br>TO-220AB | $T_c = 110^\circ\text{C}$ | 4                              | A                      |
|                    |  | ISOWATT 220AB            | $T_c = 105^\circ\text{C}$ |                                |                        |
| $I_{TSM}$          | Non repetitive surge peak on-state current (full cycle, $T_j$ initial = $25^\circ\text{C}$ ) | F = 50 Hz                | t = 20 ms                 | 30                             | A                      |
|                    |  | F = 60 Hz                | t = 16.7 ms               | 31                             |                        |
| $I^2t$             | $I^2t$ Value for fusing  | tp = 10 ms               |                           | 5.1                            | $\text{A}^2\text{s}$   |
| di/dt              | Critical rate of rise of on-state current<br>$I_G = 2 \times I_{GTT}$ , tr ≤ 100 ns          | F = 120 Hz               | $T_j = 125^\circ\text{C}$ | 50                             | $\text{A}/\mu\text{s}$ |
| $I_{GM}$           | Peak gate current  | tp = 20 μs               | $T_j = 125^\circ\text{C}$ | 4                              | A                      |
| $P_{G(AV)}$        | Average gate power dissipation   |                          | $T_j = 125^\circ\text{C}$ | 1                              | W                      |
| $T_{stg}$<br>$T_j$ | Storage junction temperature range<br>Operating junction temperature range                   |                          |                           | - 40 to + 150<br>- 40 to + 125 | $^\circ\text{C}$       |

## T4 Series

### ELECTRICAL CHARACTERISTICS (T<sub>j</sub> = 25°C, unless otherwise specified)

| Symbol                   | Test Conditions  | Quadrant     |      | T4   |      |      | Unit |
|--------------------------|--|--------------|------|------|------|------|------|
|                          |  |              |      | T405 | T410 | T435 |      |
| I <sub>GT</sub> (1)      | V <sub>D</sub> = 12 V    R <sub>L</sub> = 30 Ω                                     | I - II - III | MAX. | 5    | 10   | 35   | mA   |
| V <sub>GT</sub>          |  |              | MAX. | 1.3  |      |      | V    |
| V <sub>GD</sub>          | V <sub>D</sub> = V <sub>DRM</sub> R <sub>L</sub> = 33 kΩ<br>T <sub>j</sub> = 125°C | I - II - III | MIN. | 0.2  |      |      | V    |
| I <sub>H</sub> (2)       | I <sub>T</sub> = 100 mA  |              | MAX. | 10   | 15   | 35   | mA   |
| I <sub>L</sub>           | I <sub>G</sub> = 1.2 I <sub>GT</sub>   | I - III      | MAX. | 10   | 25   | 50   | mA   |
|                          |  | II           |      | 15   | 30   | 60   |      |
| dV/dt (2)                | V <sub>D</sub> = 67 % V <sub>DRM</sub> gate open    T <sub>j</sub> = 125°C         |              | MIN. | 20   | 40   | 400  | V/μs |
| (di/dt) <sub>c</sub> (2) | (dV/dt) <sub>c</sub> = 0.1 V/μs    T <sub>j</sub> = 125°C                          |              | MIN. | 1.8  | 2.7  | -    | A/ms |
|                          | (dV/dt) <sub>c</sub> = 10 V/μs    T <sub>j</sub> = 125°C                           |              |      | 0.9  | 2.0  | -    |      |
|                          | Without snubber    T <sub>j</sub> = 125°C  |              |      | -    | -    | 2.5  |      |

### STATIC CHARACTERISTICS

| Symbol                               | Test Conditions                                    |                       | Value                  | Unit |     |    |
|--------------------------------------|--|-----------------------|------------------------|------|-----|----|
| V <sub>TM</sub> (2)                  | I <sub>TM</sub> = 5.5 A    t <sub>p</sub> = 380 μs | T <sub>j</sub> = 25°C | MAX.                   | 1.6  | V   |    |
| V <sub>to</sub> (2)                  | Threshold voltage                                  |                       | T <sub>j</sub> = 125°C | MAX. | 0.9 | V  |
| R <sub>d</sub> (2)                   | Dynamic resistance                                 |                       | T <sub>j</sub> = 125°C | MAX. | 120 | mΩ |
| I <sub>DRM</sub><br>I <sub>RRM</sub> | V <sub>DRM</sub> = V <sub>RRM</sub>                |                       | T <sub>j</sub> = 25°C  | MAX. | 5   | μA |
|                                      |  |                       | T <sub>j</sub> = 125°C |      | 1   | mA |

**Note 1:** minimum IGT is guaranteed at 5% of IGT max.

**Note 2:** for both polarities of A2 referenced to A1

### THERMAL RESISTANCES

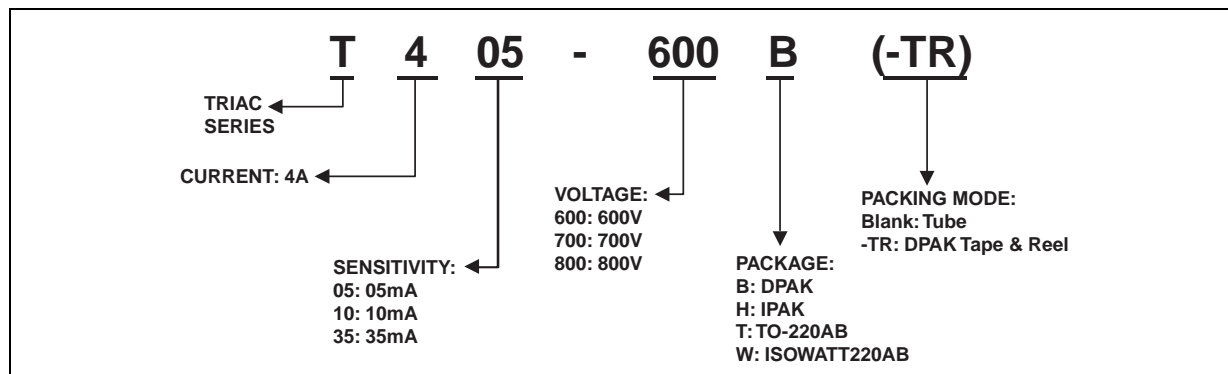
| Symbol               | Parameter             |                         | Value                    | Unit |      |
|----------------------|-----------------------|-------------------------|--------------------------|------|------|
| R <sub>th(j-c)</sub> | Junction to case (AC) |                         | DPAK<br>IPAK<br>TO-220AB | 2.6  | °C/W |
|                      |                       |                         | ISOWATT220AB             | 4.0  |      |
| R <sub>th(j-a)</sub> | Junction to ambient   | S = 0.5 cm <sup>2</sup> | DPAK                     | 70   | °C/W |
|                      |                       |                         | TO-220AB<br>ISOWATT220AB | 60   |      |
|                      |                       |                         | IPAK                     | 100  |      |

S = Copper surface under tab

PRODUCT SELECTOR

| Part Number | Voltage (xxx) |       |       | Sensitivity | Type        | Package      |
|-------------|---------------|-------|-------|-------------|-------------|--------------|
|             | 600 V         | 700 V | 800 V |             |             |              |
| T405-xxxB   | X             | X     | X     | 5 mA        | Logic level | DPAK         |
| T405-xxxH   | X             | X     | X     | 5 mA        | Logic level | IPAK         |
| T405-xxxT   | X             | X     | X     | 5 mA        | Logic level | TO-220AB     |
| T405-xxxW   | X             | X     | X     | 5 mA        | Logic level | ISOWATT220AB |
| T410-xxxB   | X             | X     | X     | 10 mA       | Logic level | DPAK         |
| T410-xxxH   | X             | X     | X     | 10 mA       | Logic level | IPAK         |
| T410-xxxT   | X             | X     | X     | 10 mA       | Logic level | TO-220AB     |
| T410-xxxW   | X             | X     | X     | 10 mA       | Logic level | ISOWATT220AB |
| T435-xxxB   | X             | X     | X     | 35 mA       | Snubberless | DPAK         |
| T435-xxxH   | X             | X     | X     | 35 mA       | Snubberless | IPAK         |
| T435-xxxT   | X             | X     | X     | 35 mA       | Snubberless | TO-220AB     |
| T435-xxxW   | X             | X     | X     | 35 mA       | Snubberless | ISOWATT220AB |

ORDERING INFORMATION

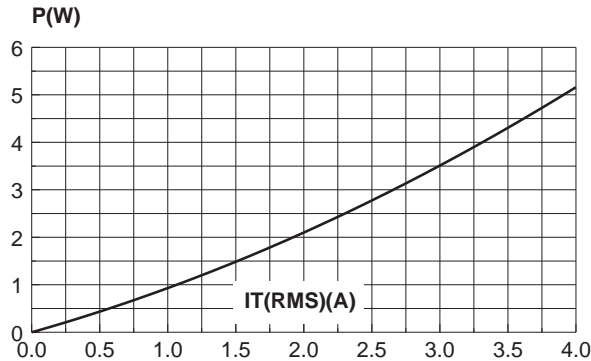


OTHER INFORMATION

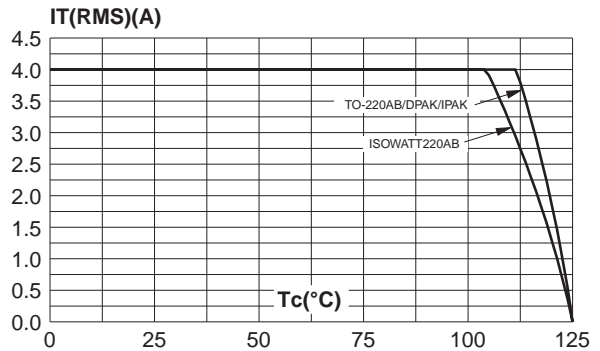
| Part Number  | Marking  | Weight | Base quantity | Packing mode |
|--------------|----------|--------|---------------|--------------|
| T4xx-yyyB    | T4xyyyyB | 0.3 g  | 75            | Tube         |
| T4xx-yyyB-TR | T4xyyyyB | 0.3 g  | 2500          | Tape & reel  |
| T4xx-yyyH    | T4xyyyy  | 0.4 g  | 75            | Tube         |
| T4xx-yyyT    | T4xyyyyT | 2.3 g  | 50            | Tube         |
| T4xx-yyyW    | T4xyyyyW | 2.1 g  | 50            | Tube         |

Note: xx = sensitivity, yyy = voltage

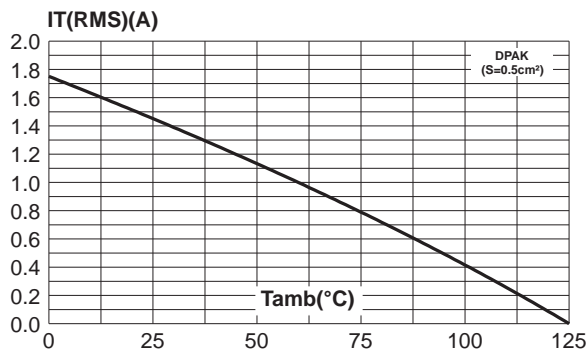
**Fig. 1:** Maximum power dissipation versus RMS on-state current (full cycle).



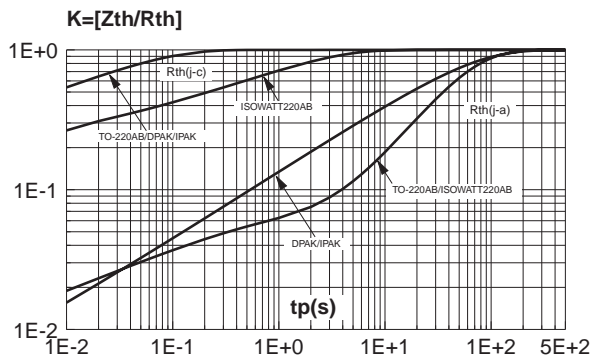
**Fig. 2-1:** RMS on-state current case versus temperature (full cycle).



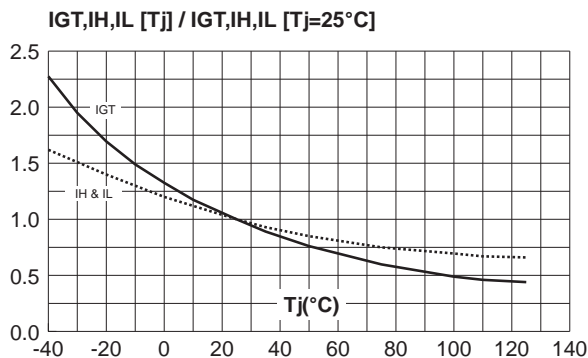
**Fig. 2-2:** RMS on-state current versus ambient temperature (printed circuit FR4, copper thickness: 35µm), full cycle.



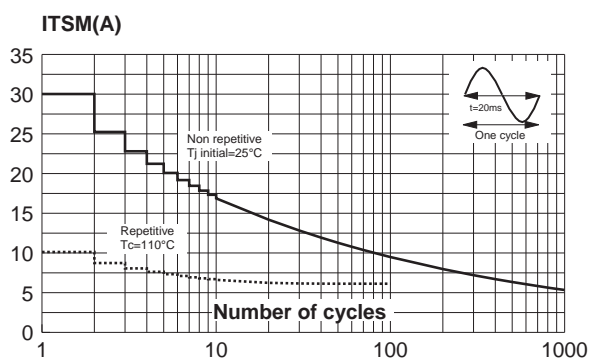
**Fig. 3:** Relative variation of thermal impedance versus pulse duration.



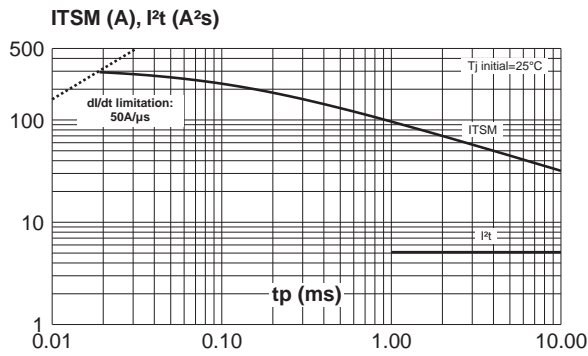
**Fig. 4:** Relative variation of gate trigger current, holding current and latching current versus junction temperature (typical values).



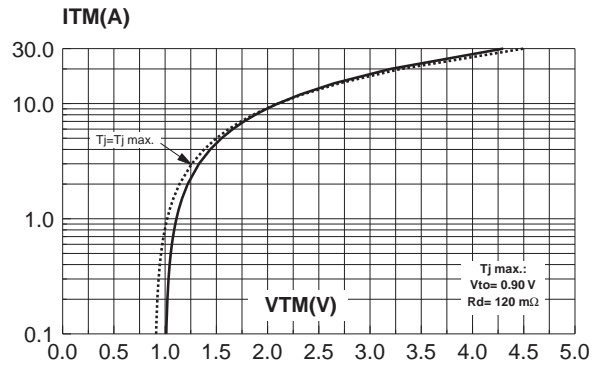
**Fig. 5:** Surge peak on-state current versus number of cycles.



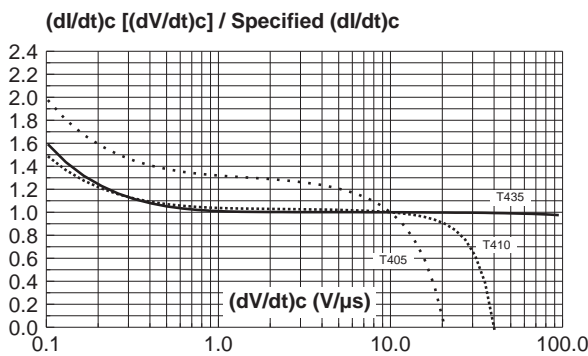
**Fig. 6:** Non-repetitive surge peak on-state current for a sinusoidal pulse with width  $t_p < 10\text{ms}$ , and corresponding value of  $I^2t$ .



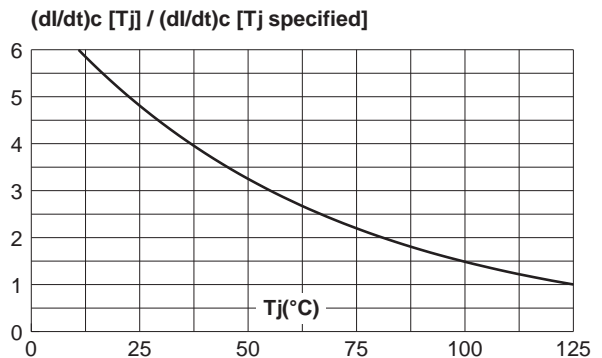
**Fig. 7:** On-state characteristics (maximum values).



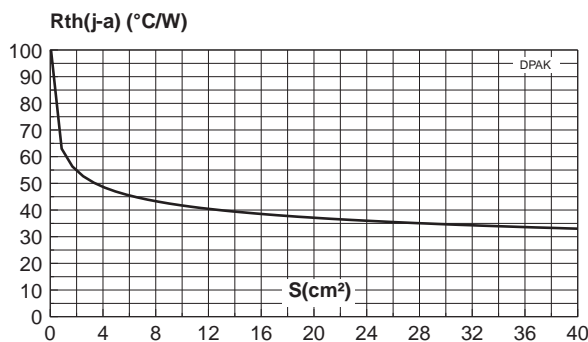
**Fig. 8:** Relative variation of critical rate of decrease of main current versus  $(dV/dt)_c$  (typical values).



**Fig. 9:** Relative variation of critical rate of decrease of main current versus junction temperature.



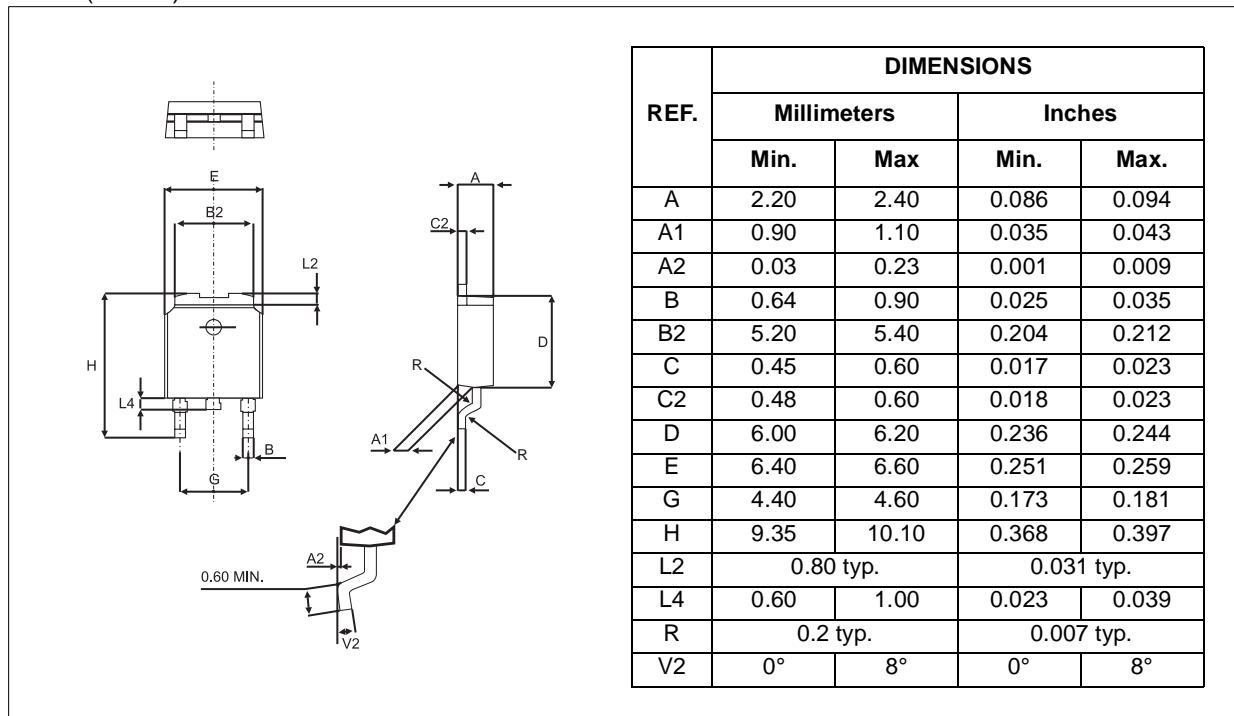
**Fig. 10:** DPAK thermal resistance junction to ambient versus copper surface under tab (printed circuit board FR4, copper thickness: 35 $\mu$ m).



## T4 Series

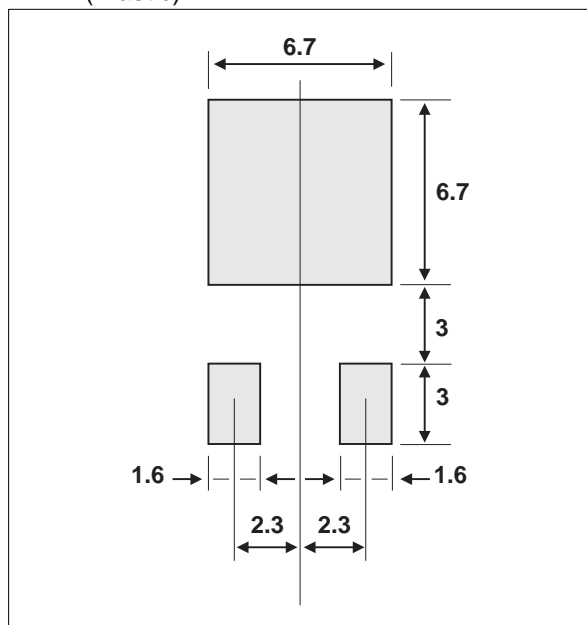
### PACKAGE MECHANICAL DATA

DPAK (Plastic)



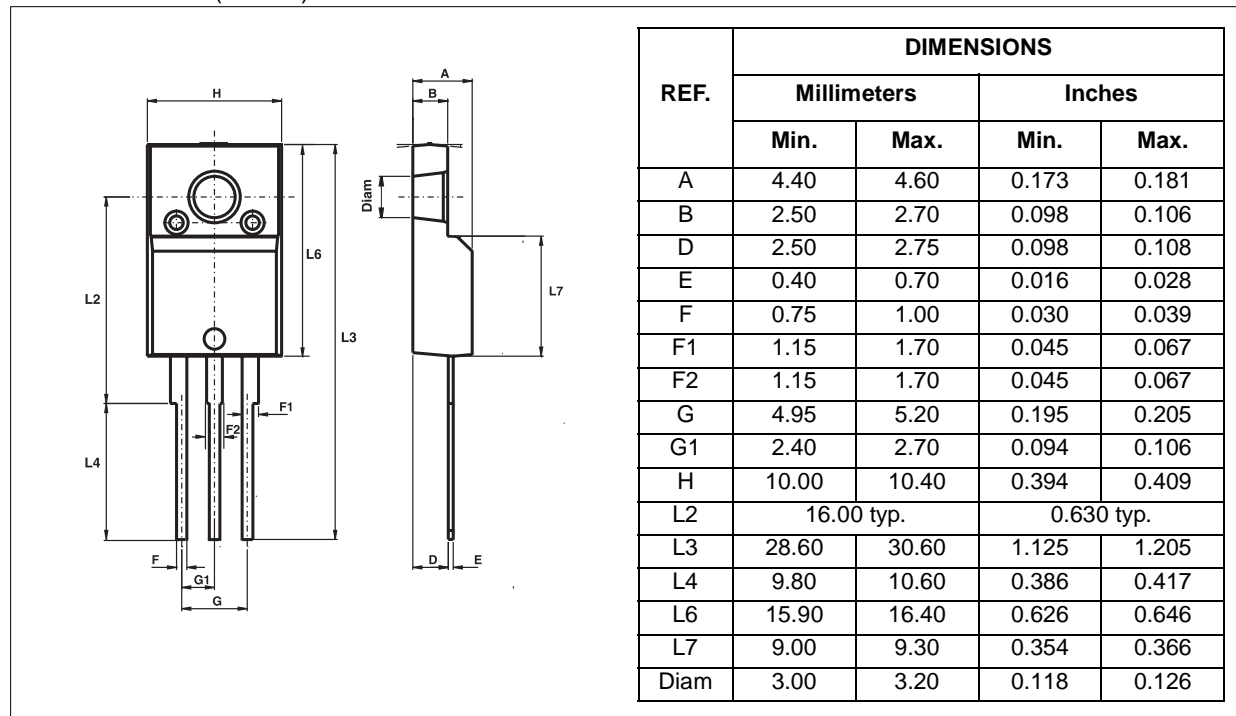
### FOOTPRINT DIMENSIONS (in millimeters)

DPAK (Plastic)



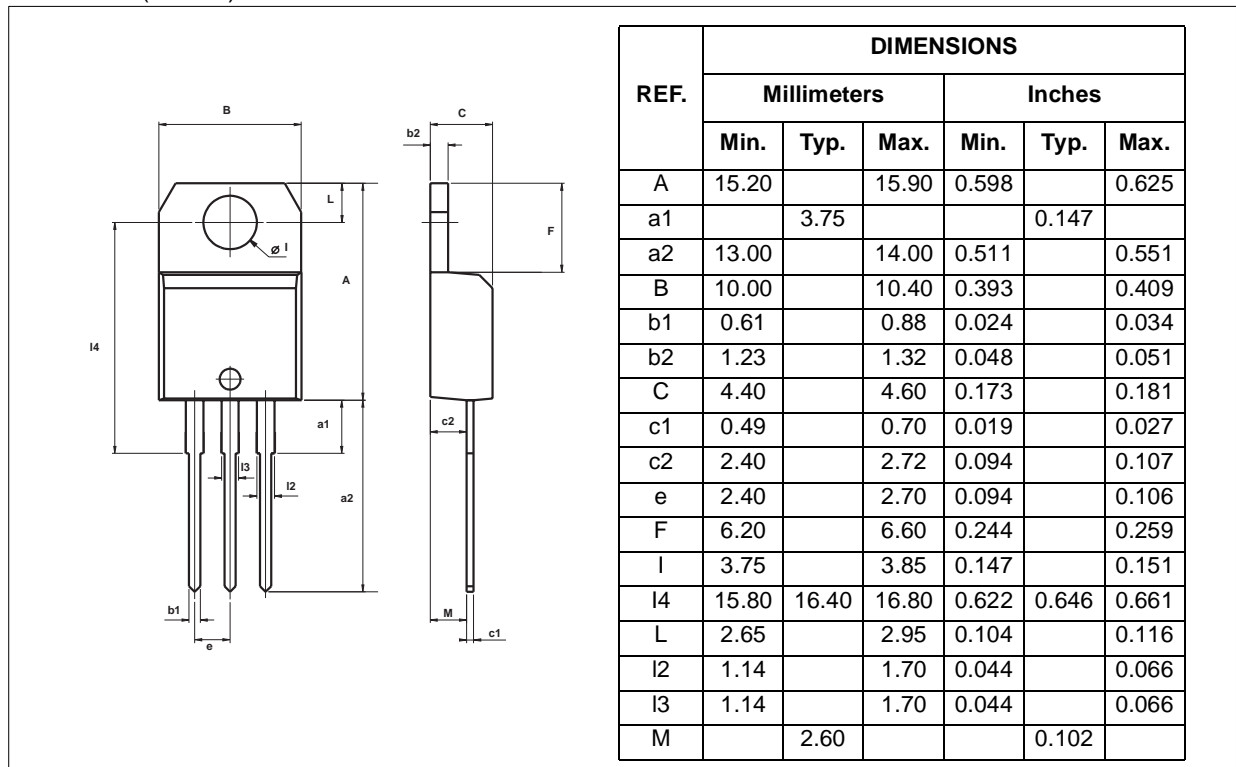
**PACKAGE MECHANICAL DATA**

ISOWATT220AB (Plastic)



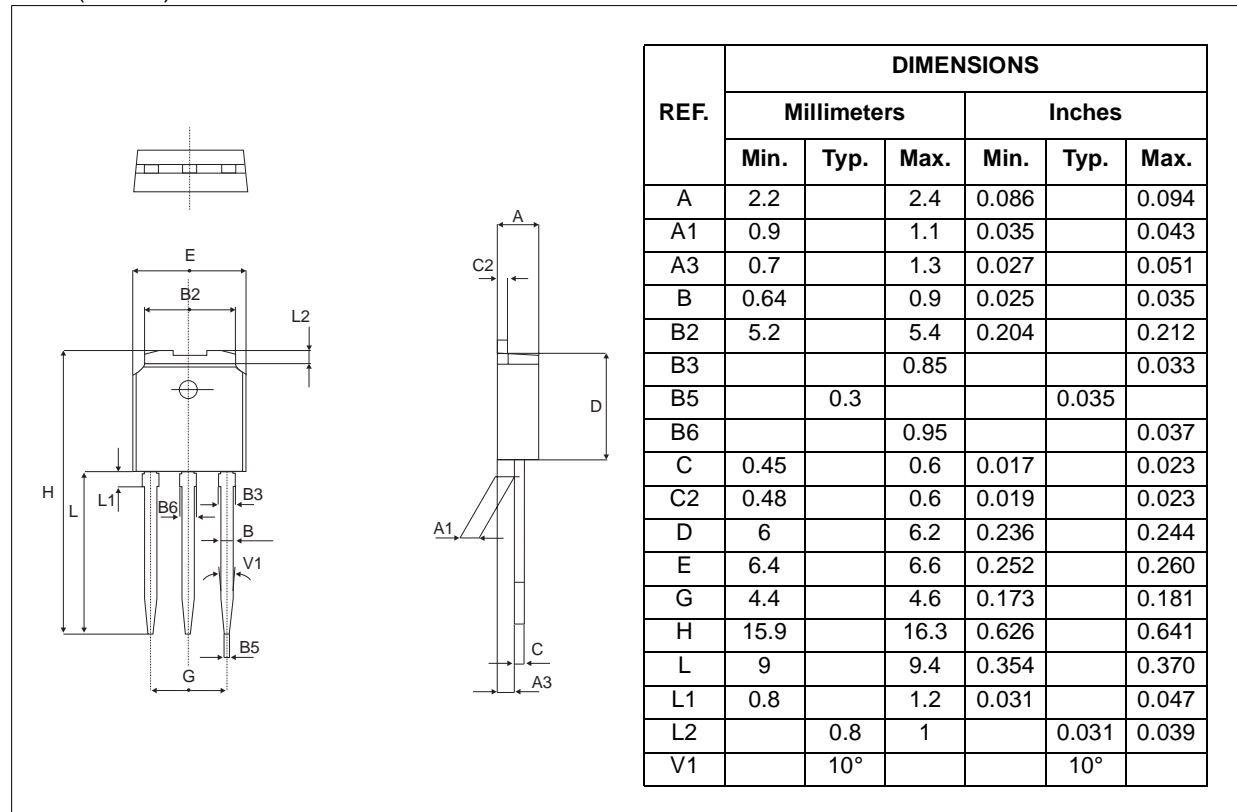
**PACKAGE MECHANICAL DATA**

TO-220AB (Plastic)



PACKAGE MECHANICAL DATA

IPAK (Plastic)



Information furnished is believed to be accurate and reliable. However, STMicroelectronics assumes no responsibility for the consequences of use of such information nor for any infringement of patents or other rights of third parties which may result from its use. No license is granted by implication or otherwise under any patent or patent rights of STMicroelectronics. Specifications mentioned in this publication are subject to change without notice. This publication supersedes and replaces all information previously supplied. STMicroelectronics products are not authorized for use as critical components in life support devices or systems without express written approval of STMicroelectronics.

© The ST logo is a registered trademark of STMicroelectronics

© 2003 STMicroelectronics - Printed in Italy - All Rights Reserved

STMicroelectronics GROUP OF COMPANIES

Australia - Brazil - China - Finland - France - Germany - Hong Kong - India - Italy - Japan - Malaysia  
 Malta - Morocco - Singapore - Spain - Sweden - Switzerland - United Kingdom - U.S.A

<http://www.st.com>





## Стандарт Электрон Связь

Мы молодая и активно развивающаяся компания в области поставок электронных компонентов. Мы поставляем электронные компоненты отечественного и импортного производства напрямую от производителей и с крупнейших складов мира.

Благодаря сотрудничеству с мировыми поставщиками мы осуществляем комплексные и плановые поставки широчайшего спектра электронных компонентов.

Собственная эффективная логистика и склад в обеспечивает надежную поставку продукции в точно указанные сроки по всей России.

Мы осуществляем техническую поддержку нашим клиентам и предпродажную проверку качества продукции. На все поставляемые продукты мы предоставляем гарантию .

Осуществляем поставки продукции под контролем ВП МО РФ на предприятия военно-промышленного комплекса России , а также работаем в рамках 275 ФЗ с открытием отдельных счетов в уполномоченном банке. Система менеджмента качества компании соответствует требованиям ГОСТ ISO 9001.

Минимальные сроки поставки, гибкие цены, неограниченный ассортимент и индивидуальный подход к клиентам являются основой для выстраивания долгосрочного и эффективного сотрудничества с предприятиями радиоэлектронной промышленности, предприятиями ВПК и научно-исследовательскими институтами России.

С нами вы становитесь еще успешнее!

### Наши контакты:

**Телефон:** +7 812 627 14 35

**Электронная почта:** [sales@st-electron.ru](mailto:sales@st-electron.ru)

**Адрес:** 198099, Санкт-Петербург,  
Промышленная ул, дом № 19, литера Н,  
помещение 100-Н Офис 331