

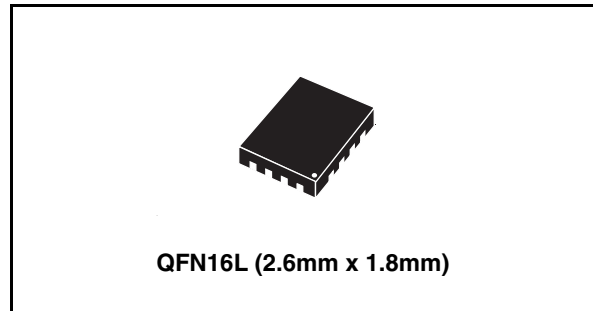


STG5682

Low voltage dual SPDT switch
with negative rail capability

Features

- Distortion-free negative signal throughput down to $V_{CC} = -5.5V$
- Wide operating voltage range:
 $V_{CC} (Opr) = 1.65V$ to $4.5V$ single supply
- Ultra low power dissipation:
 $I_{CC} = 0.2\mu A$ (Max.) at $t_A = 85^\circ C$
- Low "ON" resistance $V_{IN} = 0V$:
 $R_{ON} = 0.5\Omega$ (max. $t_A = 25^\circ C$) at $V_{CC} = 4.3V$
- 4.3V tolerant and 1.8V compatible threshold on digital control input at $V_{CC} = 1.65$ to $3.0V$
- Latch-up performance exceeds 300mA (JESD 17)
- ESD performance exceeds JESD22
- 2000-V human-body model (A114-A)



Description

The STG5682 is a high-speed CMOS low voltage dual analog S.P.D.T. (Single Pole Dual Throw) SWITCH or 2:1 Multiplexer /Demultiplexer Switch fabricated in silicon gate C²MOS technology. It is designed to operate from 1.65V to 4.5V, making this device ideal for portable applications.

Additional key features are fast switching speed, Break Before Make Delay Time and Ultra Low Power Consumption. All inputs and outputs are equipped with protection circuits against static discharge, giving them ESD immunity and transient excess voltage.

Table 1. Device summary

Order code	Package	Packaging
STG5682QTR	QFN16L (2.6mm x 1.8mm)	Tape and reel

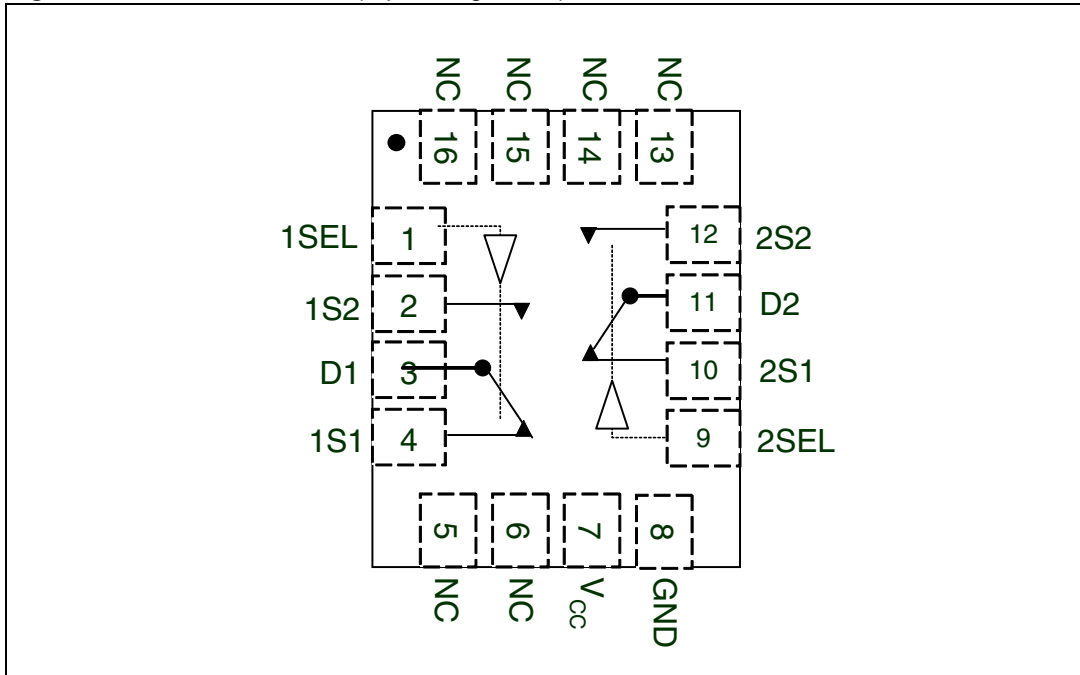
Contents

1	Pin settings	3
	1.1 Pin connection	3
	1.2 Pin description	3
2	Device summary	4
3	Maximum rating	5
	3.1 Recommended operating conditions	6
4	Electrical characteristics	7
5	Package mechanical data	11
6	Revision history	15

1 Pin settings

1.1 Pin connection

Figure 1. Pin connection (top through view)



1.2 Pin description

Table 2. Pin description

Pin N°	Symbol	Name and function
4, 2, 10, 12	1S1, 1S2, 2S1, 2S2	Independent channels
3, 11	D1, D2	Common channel
1, 9	1SEL, 2SEL	Control
7	V _{CC}	Positive supply voltage
8	GND	Ground (0V)
5,6,13,14,15,16	NC	No connect

2 Device summary

Figure 2. Input equivalent circuit

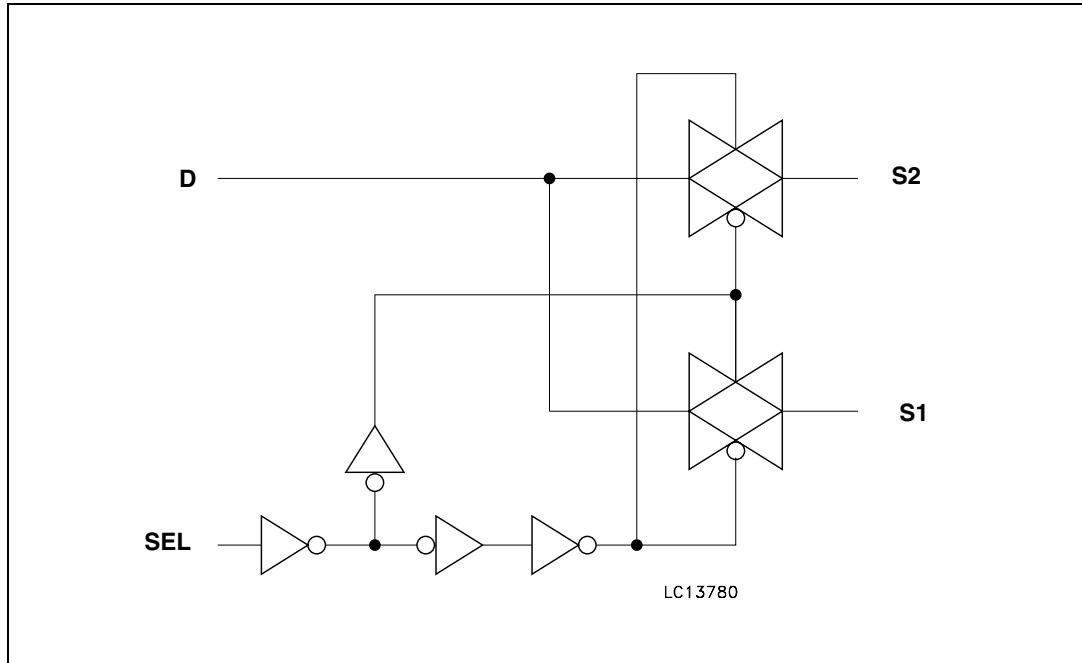


Table 3. Truth table

SEL	Switch S1	Switch S2
H	ON	OFF ⁽¹⁾
L	OFF ⁽¹⁾	ON

1. High Impedance

3 Maximum rating

Stressing the device above the rating listed in the “Absolute Maximum Ratings” table may cause permanent damage to the device. These are stress ratings only and operation of the device at these or any other conditions above those indicated in the Operating sections of this specification is not implied. Exposure to Absolute Maximum Rating conditions for extended periods may affect device reliability. Refer also to the STMicroelectronics SURE Program and other relevant quality documents.

Table 4. Absolute maximum ratings

Symbol	Parameter	Value	Unit
V_{CC}	Supply voltage	-0.5 to 5.5	V
V_I	DC input voltage	- ($V_{CC} - 6.0V$) to $V_{CC} + 0.5$	V
V_{IC}	DC control input voltage	-0.5 to 5.5	V
V_O	DC output voltage	- ($V_{CC} - 6.0V$) to $V_{CC} + 0.5$	V
I_{IKC}	DC input diode current on control pin ($V_{SEL} < 0V$)	-50	mA
I_{IK}	DC input diode current ($V_{SEL} < 0V$)	± 50	mA
I_{OK}	DC output diode current	± 20	mA
I_O	DC output current	± 150	mA
I_{OP}	DC output current peak (pulse at 1ms, 10% duty cycle)	± 400	mA
I_{CC} or I_{GND}	DC V_{CC} or ground current	± 100	mA
P_D	Power dissipation at $T_A = 70^\circ C$ ⁽¹⁾	1120	mW
T_{stg}	Storage temperature	-65 to 150	$^\circ C$
T_L	Lead temperature (10 sec)	300	$^\circ C$

1. Derate above 70°C by 18.5mW/C

3.1 Recommended operating conditions

Table 5. Recommended operating conditions

Symbol	Parameter		Value	Unit
V_{CC}	Supply voltage ⁽¹⁾		1.65 to 4.5	V
V_I	Input voltage		$V_{CC} - 5.5$ to V_{CC}	V
V_{IC}	Control input voltage		0 to 4.5	V
V_O	Output voltage		$V_{CC} - 5.5$ to V_{CC}	V
T_{op}	Operating temperature		-40 to 85	°C
dt/dv	Input rise and fall time control input	$V_{CC} = 1.65V$ to $2.7V$	0 to 20	ns/V
		$V_{CC} = 3.0$ to $4.3V$	0 to 10	

1. Truth Table guaranteed: 1.2V to 4.3V

4 Electrical characteristics

Table 6. DC specifications

Symbol	Parameter	Test conditions		Value					Unit
		V _{CC} (V)		T _A = 25°C			-40 to 85°C		
				Min	Typ	Max	Min	Max	
V _{IH}	High level input voltage	1.65 -1.95		0.65V _{CC}			0.65V _{CC}		V
		2.3-2.5		1.0			1.4		
		2.7-3.0		1.1			1.5		
		3.3-4.3		1.3			1.6		
V _{IL}	Low level input voltage	1.65-1.95				0.5		0.5	V
		2.3-2.5				0.5		0.4	
		2.7-3.0				0.6		0.5	
		3.3-4.3				0.7		0.6	
R _{ON}	Switch ON resistance	1.8	V _S = V _{CC} -5.5V to V _{CC} ; I _S = 100mA		3.20	4.0			Ω
		2.7			0.77	0.90			
		3.0			0.64	0.80			
		3.6			0.51	0.65			
		4.3			0.45	0.55			
ΔR _{ON}	ON resistance match between channels ⁽¹⁾	1.8	V _S @ R _{ON} Max I _S = 100mA		50				mΩ
		2.7			20				
		3.0			15				
		3.6			15				
		4.3			15				
R _{FLAT}	ON resistance flatness ⁽²⁾	1.8	V _S = V _{CC} -5.5V to V _{CC} ; I _S = 100mA		3.0				Ω
		2.7			0.50				
		3.0			0.40				
		3.6			0.25				
		4.3			0.16				
I _{OFF}	Sn OFF State Leakage Current	4.3	V _S = -1.2 to 4.3V V _D = 4.3 to -1.2V	-0.1		0.1	-1	1	μA
I _{ON}	Sn ON State Leakage Current	4.3	V _S = -1.2 to 4.3V V _D = Open	-0.1		0.1	-1	1	μA

Table 6. DC specifications (continued)

Symbol	Parameter	Test conditions		Value					Unit
		Vcc (V)		T _A = 25°C			-40 to 85°C		
				Min	Typ	Max	Min	Max	
I _D	D ON State Leakage Current	4.3	V _S = Open V _D = 4.3 to -1.2V	-0.1		0.1	-1	1	μA
I _{IH} , I _{IL}	SEL Leakage Current	4.3	V _{SEL} = 4.3V or GND	-0.1		0.1	-1	1	μA
I _{CCLV}	Quiescent Supply Current Low Voltage Driving	4.3	V _{1SEL} , V _{2SEL} = 1.65V		±37	±50		±100	μA
			V _{1SEL} , V _{2SEL} = 1.80V		±33	±40		±50	
			V _{1SEL} , V _{2SEL} = 2.60V		±12	±20		±30	
I _{CC}	Quiescent Supply Current	4.3	V _{SEL} = V _{CC} or GND			±50		±200	nA

- Note 1: $\Delta R_{on} = \max |mSN - nSNI|$, where $m = 1..4$ and $n = 1..4$, $N = 1..2$
- Flatness is defined as the difference between the maximum and minimum value of on-resistance as measured over the specified analog signal ranges.

Table 7. AC electrical characteristics ($C_L = 35\text{pF}$, $R_L = 50\Omega$, $t_r = t_f \leq 5\text{ns}$)

Symbol	Parameter	Test conditions		Value					Unit
		Vcc (V)		T _A = 25°C			-40 to 85°C		
				Min	Typ	Max	Min	Max	
t _{PLH} , t _{PHL}	Propagation delay	1.65-1.95			0.45				ns
		2.3-2.7			0.40				
		3.0-3.3			0.30				
		3.6-4.3			0.25				
t _{ON}	Turn-ON time	1.65-1.95	V _S = 0.8V		180	220			ns
		2.3-2.7			100	130			
		3.0-3.3	V _S = 1.5V		72	95			
		3.6-4.3			58	80			
t _{OFF}	Turn-OFF time	1.65-1.95	V _S = 0.8		64	80			ns
		2.3-2.7			41	60			
		3.0-3.3	V _S = 1.5V		34	50			
		3.6-4.3			33	50			
t _D	Break before make time delay	1.65-1.95		1	110				ns
		2.3-2.7	C _L = 35pF R _L = 50Ω V _S = V _{CC} /2	1	58				
		3.0-3.3		1	40				
		3.6-4.3		1	23				
Q	Charge injection	1.65-1.95			55				pC
		2.3-2.7	C _L = 100pF V _{GEN} = 0V		76				
		3.0-3.3			94				
		3.6-4.3			126				

Table 8. Analog switch characteristics ($C_L = 5\text{pF}$, $R_L = 50\Omega$, $T_A = 25^\circ\text{C}$)

Symbol	Parameter	Test conditions		Value					Unit
		Vcc (V)		$T_A = 25^\circ\text{C}$			$-40 \text{ to } 85^\circ\text{C}$		
				Min	Typ	Max	Min	Max	
OIRR	OFF Isolation ⁽¹⁾	2.7 - 4.3	$V_S = 1V_{\text{RMS}}$, $f = 100\text{kHz}$		-55				dB
Xtalk	Crosstalk	2.7 - 4.3	$V_S = 1V_{\text{RMS}}$, $f = 100\text{kHz}$		-60				dB
THD	Total harmonic distortion	2.7 - 4.3	$R_L = 32\Omega$ $V_{\text{IN}} = 0.5V_{\text{PP}}$ DC Bias = 0 $f = 20\text{Hz to } 20\text{ kHz}$		0.01				%
BW	-3dB bandwidth	2.7 - 4.3	$R_L = 50\Omega$ Signal = 0dBm		33				MHz
C_{IN}	Control pin input capacitance	3.3			6				pF
C_{D}	D Port capacitance when switch is enabled	3.3	$f = 1\text{MHz}$		290				

1. Off Isolation = $20\text{Log}_{10}(V_{\text{D}}/V_{\text{S}})$, V_{D} = output. V_{S} = input to off switch.

5 Package mechanical data

In order to meet environmental requirements, ST offers these devices in ECOPACK® packages. These packages have a Lead-free second level interconnect . The category of second level interconnect is marked on the package and on the inner box label, in compliance with JEDEC Standard JESD97. The maximum ratings related to soldering conditions are also marked on the inner box label. ECOPACK is an ST trademark. ECOPACK specifications are available at: www.st.com

Table 9. QFN16L (2.6x1.8mm) mechanical data

Dim.	mm.		
	Min	Typ	Max
A	0.45	0.55	0.60
A1	0	0.02	0.05
b	0.15	0.20	0.25
D	2.50	2.60	2.70
E	1.70	1.80	1.90
e		0.40	
L	0.35	0.40	0.45

- Note: 1 VFQFPN - Standard for thermally enhanced very fine pitch quad flat package no leads.
 2 The leads size is comprehensive of the thickness of the leads finishing material.
 3 Dimensions do not include mold protusion.
 4 Package outline exclusive of metal burrs dimensions.
 5 Shipping media tape and reel units: 3000

Figure 3. Foot print recommendation

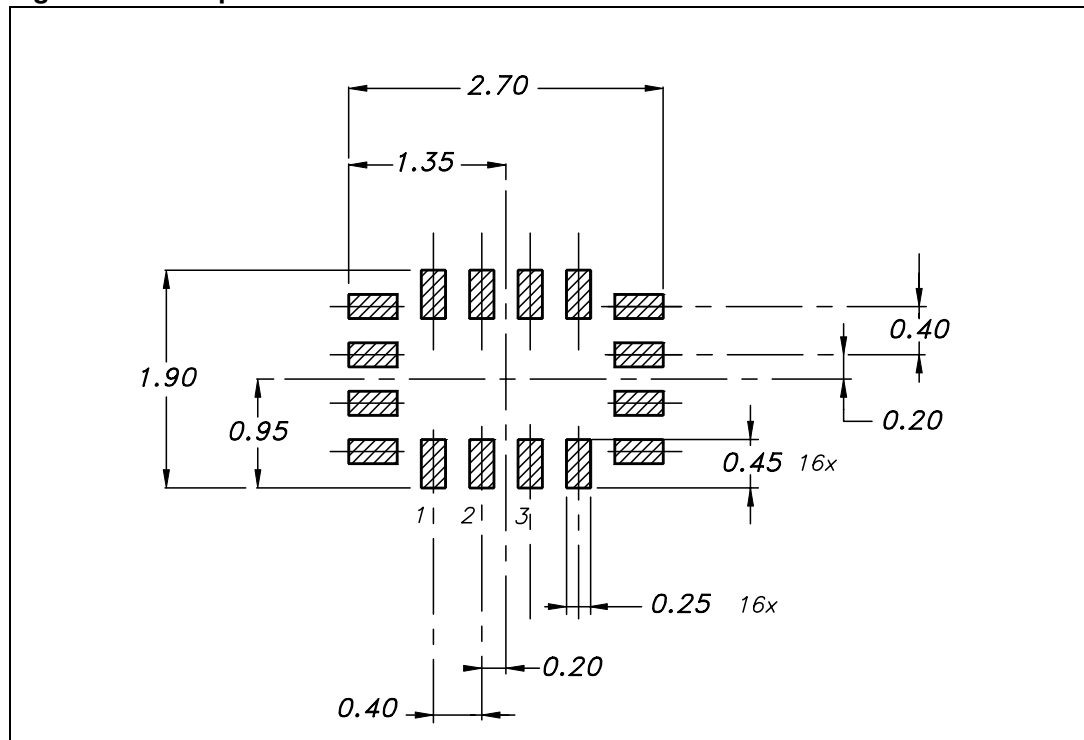


Figure 4. Package information

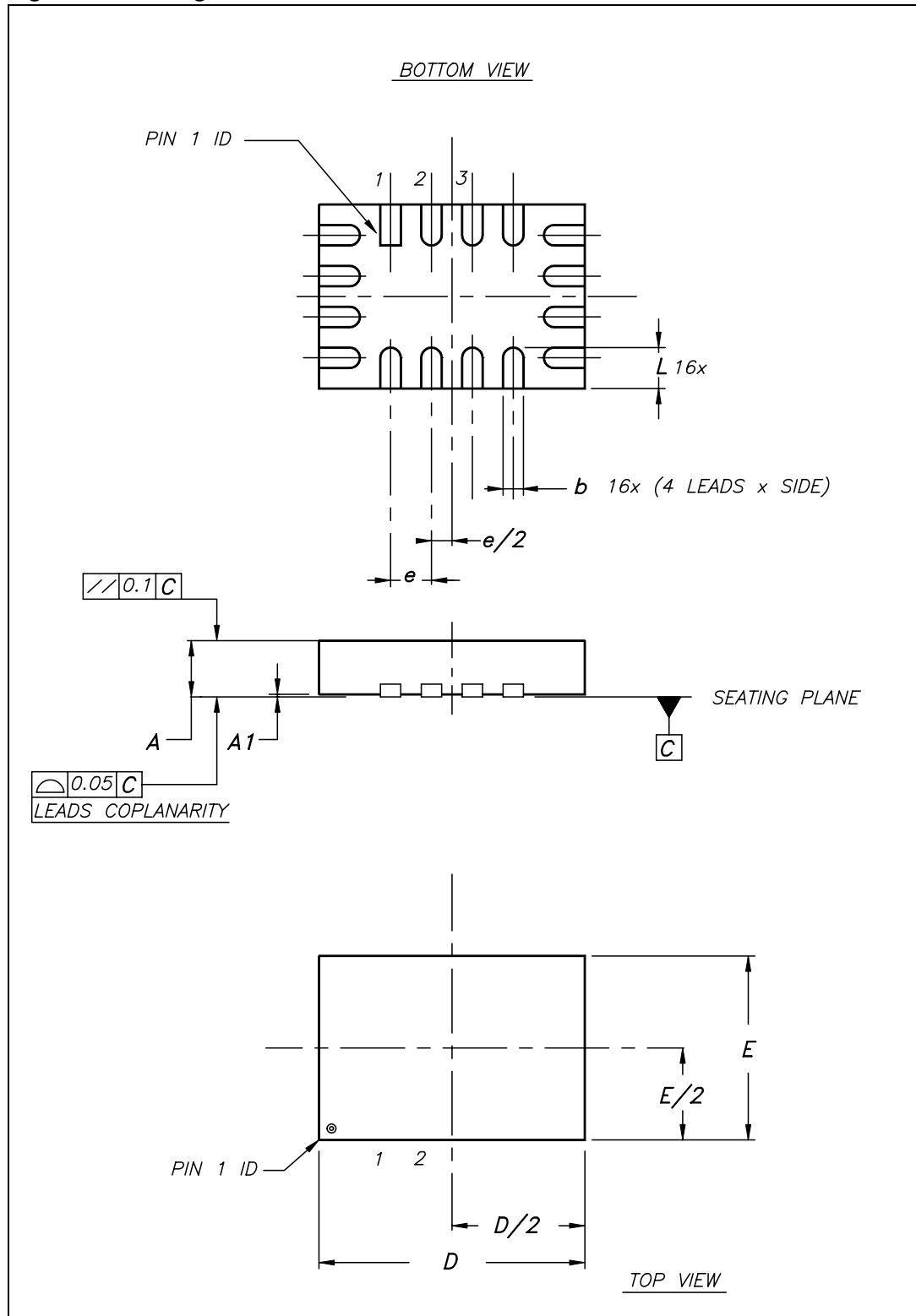
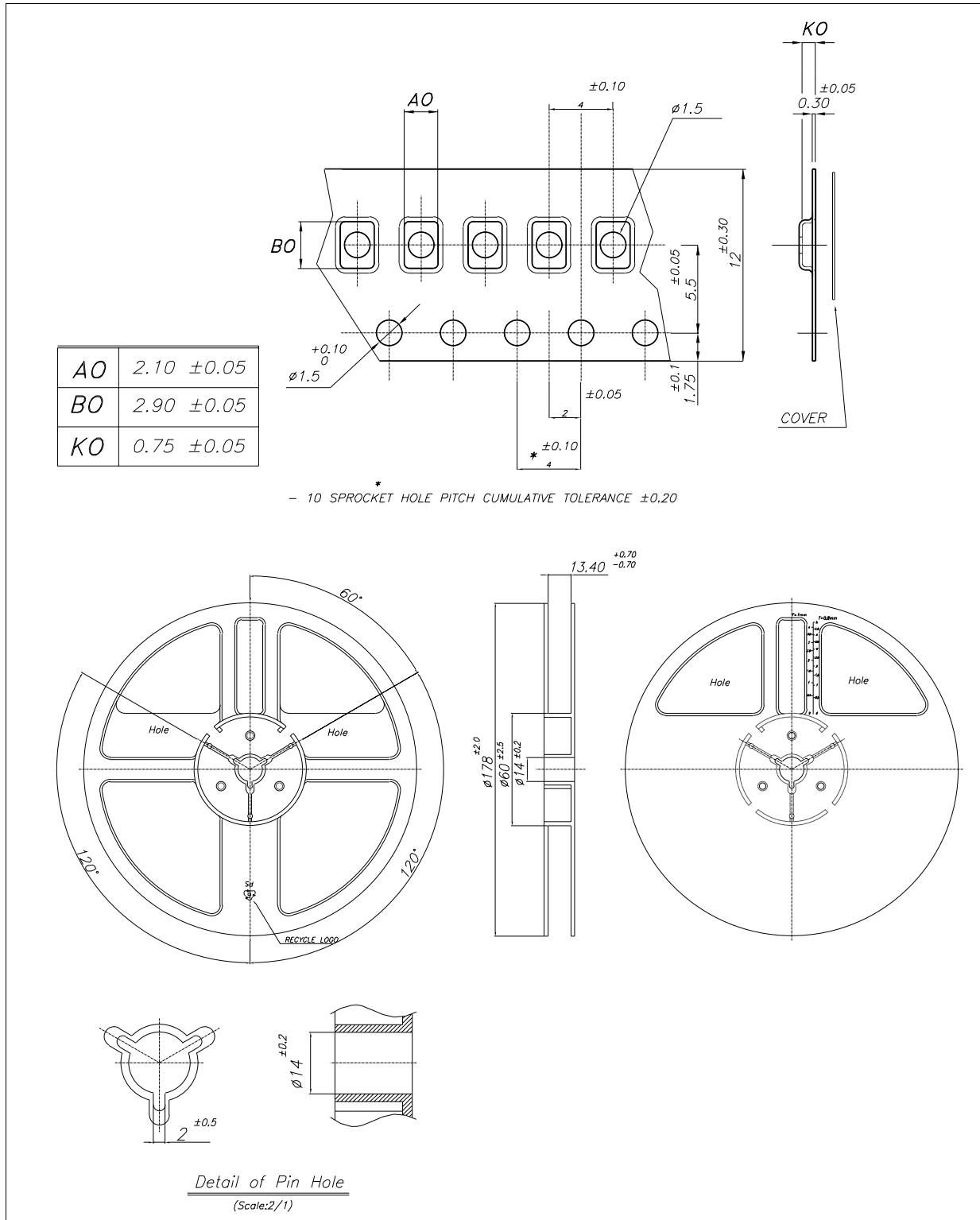


Figure 5. QFN16L (2.6mmx1.8mm) tape & reel



6 Revision history

Table 10. Revision history

Date	Revision	Changes
15-Mar-2007	1	First release
16-Apr-2007	2	Typo in cover page
05-Jul-2007	3	Table 6 on page 7 updated

Please Read Carefully:

Information in this document is provided solely in connection with ST products. STMicroelectronics NV and its subsidiaries ("ST") reserve the right to make changes, corrections, modifications or improvements, to this document, and the products and services described herein at any time, without notice.

All ST products are sold pursuant to ST's terms and conditions of sale.

Purchasers are solely responsible for the choice, selection and use of the ST products and services described herein, and ST assumes no liability whatsoever relating to the choice, selection or use of the ST products and services described herein.

No license, express or implied, by estoppel or otherwise, to any intellectual property rights is granted under this document. If any part of this document refers to any third party products or services it shall not be deemed a license grant by ST for the use of such third party products or services, or any intellectual property contained therein or considered as a warranty covering the use in any manner whatsoever of such third party products or services or any intellectual property contained therein.

UNLESS OTHERWISE SET FORTH IN ST'S TERMS AND CONDITIONS OF SALE ST DISCLAIMS ANY EXPRESS OR IMPLIED WARRANTY WITH RESPECT TO THE USE AND/OR SALE OF ST PRODUCTS INCLUDING WITHOUT LIMITATION IMPLIED WARRANTIES OF MERCHANTABILITY, FITNESS FOR A PARTICULAR PURPOSE (AND THEIR EQUIVALENTS UNDER THE LAWS OF ANY JURISDICTION), OR INFRINGEMENT OF ANY PATENT, COPYRIGHT OR OTHER INTELLECTUAL PROPERTY RIGHT.

UNLESS EXPRESSLY APPROVED IN WRITING BY AN AUTHORIZED ST REPRESENTATIVE, ST PRODUCTS ARE NOT RECOMMENDED, AUTHORIZED OR WARRANTED FOR USE IN MILITARY, AIR CRAFT, SPACE, LIFE SAVING, OR LIFE SUSTAINING APPLICATIONS, NOR IN PRODUCTS OR SYSTEMS WHERE FAILURE OR MALFUNCTION MAY RESULT IN PERSONAL INJURY, DEATH, OR SEVERE PROPERTY OR ENVIRONMENTAL DAMAGE. ST PRODUCTS WHICH ARE NOT SPECIFIED AS "AUTOMOTIVE GRADE" MAY ONLY BE USED IN AUTOMOTIVE APPLICATIONS AT USER'S OWN RISK.

Resale of ST products with provisions different from the statements and/or technical features set forth in this document shall immediately void any warranty granted by ST for the ST product or service described herein and shall not create or extend in any manner whatsoever, any liability of ST.

ST and the ST logo are trademarks or registered trademarks of ST in various countries.

Information in this document supersedes and replaces all information previously supplied.

The ST logo is a registered trademark of STMicroelectronics. All other names are the property of their respective owners.

© 2007 STMicroelectronics - All rights reserved

STMicroelectronics group of companies

Australia - Belgium - Brazil - Canada - China - Czech Republic - Finland - France - Germany - Hong Kong - India - Israel - Italy - Japan - Malaysia - Malta - Morocco - Singapore - Spain - Sweden - Switzerland - United Kingdom - United States of America

www.st.com



Стандарт Электрон Связь

Мы молодая и активно развивающаяся компания в области поставок электронных компонентов. Мы поставляем электронные компоненты отечественного и импортного производства напрямую от производителей и с крупнейших складов мира.

Благодаря сотрудничеству с мировыми поставщиками мы осуществляем комплексные и плановые поставки широчайшего спектра электронных компонентов.

Собственная эффективная логистика и склад в обеспечивает надежную поставку продукции в точно указанные сроки по всей России.

Мы осуществляем техническую поддержку нашим клиентам и предпродажную проверку качества продукции. На все поставляемые продукты мы предоставляем гарантию .

Осуществляем поставки продукции под контролем ВП МО РФ на предприятия военно-промышленного комплекса России , а также работаем в рамках 275 ФЗ с открытием отдельных счетов в уполномоченном банке. Система менеджмента качества компании соответствует требованиям ГОСТ ISO 9001.

Минимальные сроки поставки, гибкие цены, неограниченный ассортимент и индивидуальный подход к клиентам являются основой для выстраивания долгосрочного и эффективного сотрудничества с предприятиями радиоэлектронной промышленности, предприятиями ВПК и научно-исследовательскими институтами России.

С нами вы становитесь еще успешнее!

Наши контакты:

Телефон: +7 812 627 14 35

Электронная почта: sales@st-electron.ru

Адрес: 198099, Санкт-Петербург,
Промышленная ул, дом № 19, литера Н,
помещение 100-Н Офис 331