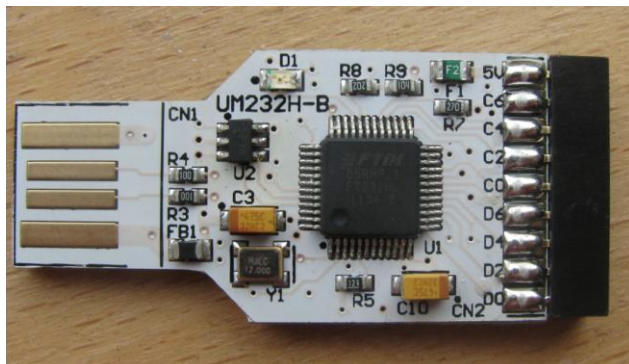


Future Technology Devices International Ltd Datasheet UM232H-B USB to Serial/Parallel Break-Out Module



UM232H-B is a multiple-interface Hi-Speed USB to UART, 245 FIFO, FT1248, I²C, SPI and GPIO break-out module.

1 Introduction

The UM232H-B is a development module for FTDI's FT232H Hi-Speed to Serial/Parallel interface converter. This single interface channel IC can be configured to transfer data over the following interfaces UART, 245 FIFO, FT1248, I²C, SPI and GPIO.

For detail on FT232H, refer to the [FT232H datasheet](#).

2 Driver Support

Royalty-Free VIRTUAL COM PORT (VCP) DRIVERS for:

- Windows 7 32,64-bit
- Windows Vista
- Windows XP 32,64-bit
- Windows XP Embedded
- Windows CE.NET 4.2 , 5.0 and 6.0
- MAC OS OS-X
- Linux 3.0 and greater
- Android

1.1 Features

This hardware is a breakout board that converts Hi-Speed USB2.0 to a serial/parallel interface and connects the signals to a 2.00mm pitch 18pin female receptacle. No USB connector is used, instead this modules plugs directly into the USB host connector and the pads of the PCB makes electrical contact with the electrical contacts of the host USB connector.

All signals on these modules operate at +3.3V voltage levels, however all I/Os are 5V tolerant.

Royalty-Free D2XX Direct Drivers (USB Drivers + DLL S/W Interface):

- Windows 7 32,64-bit
- Windows Vista
- Windows XP 32,64-bit
- Windows XP Embedded
- Windows CE.NET 4.2, 5.0 and 6.0
- MAC OS OS-X
- Linux 3.0 and greater
- Android

The drivers listed above are all available to download for free from www.ftdichip.com. Third Party Drivers are also available for other operating systems - visit www.ftdichip.com for details.

Table of Contents

1	Introduction	1
1.1	Features.....	1
2	Driver Support.....	1
3	Ordering Information	3
4	UM232H-B Signals and Configurations	3
4.1	UM232H-B Pin Out	3
4.2	UM232H-B Signals.....	4
4.3	CBUS Signal Options	6
4.4	Configuring the EEPROM	6
5	Module Dimensions	7
6	UM232H-B-WE Wire Colours	8
7	UM232H-B Module Circuit Schematic.....	9
8	Internal MTP ROM Configuration	10
9	Contact Information	11
	Appendix A - List of Figures and Tables.....	17
	Appendix B – Revision History	18

3 Ordering Information

Module Code	Utilised IC Code	Description
UM232H-B-01	FT232H	Single Channel USB to Serial/Parallel interface break-out board, with a female header and complementary male header.
UM232H-B-NC	FT232H	Single Channel USB to Serial/Parallel interface break-out board, with no female header.
UM232H-B-WE	FT232H	Single Channel USB to Serial/Parallel interface break-out board, with 6" flying leads connected to the signal pads.

Table 3.1 – Ordering Information

4 UM232H-B Signals and Configurations

4.1 UM232H-B Pin Out

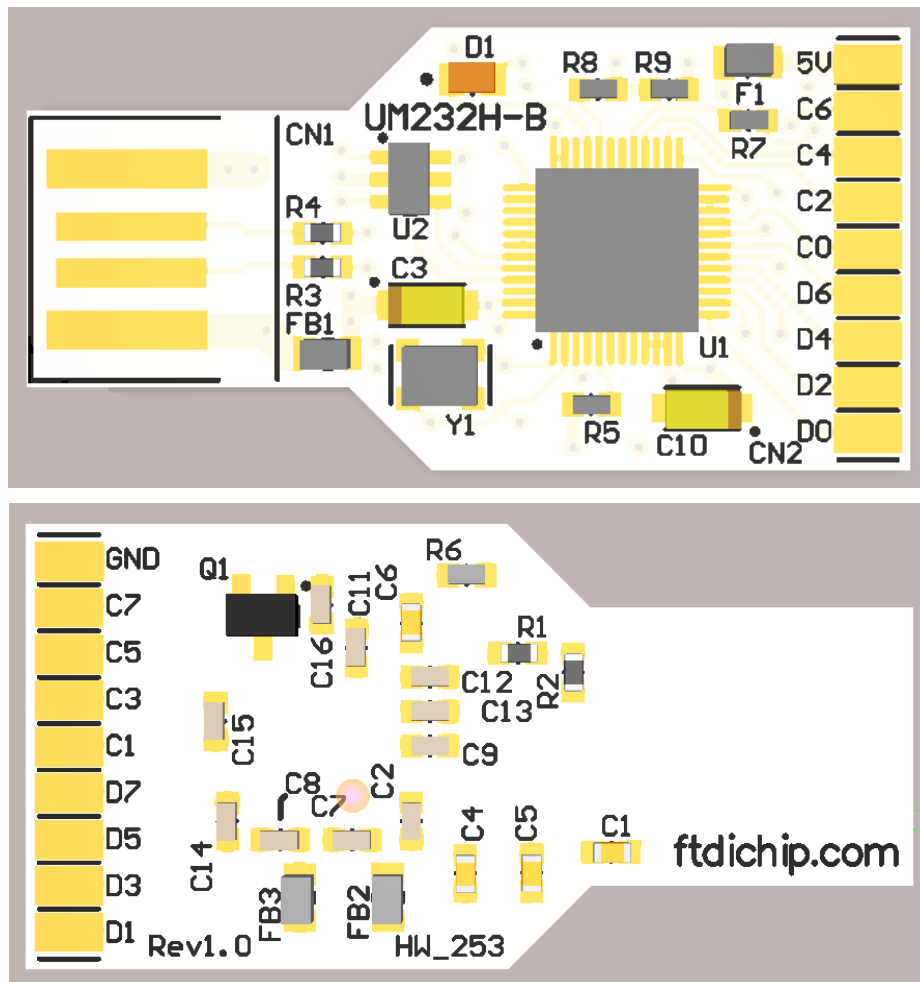


Figure 4.1 – Module Pin Out

Figure 4.1 illustrates the signals available on the signal pads. The top figure shows the pinout when the module is viewed from the top side. The bottom figure shows the pinout when the module is viewed from the bottom side.

4.2 UM232H-B Signals

A list of all the pins and signals are given in Table 4.2. The EEPROM configuration determines the signal assigned to a pin.

Pins marked * are EEPROM selectable

FT232H										
Pin		Pin functions (depends on configuration)								
Pin #	Pin Name	ASYNC Serial (RS232)	SYNC 245 FIFO	STYLE ASYNC 245 FIFO	ASYNC Bit-bang	SYNC Bit-bang	MPSSE	Fast Serial interface	CPU Style FIFO	FT1248
13	ADBUS0	TXD	D0	D0	D0	D0	TCK/SK	FSDI	D0	MIOSI0
14	ADBUS1	RXD	D1	D1	D1	D1	TDI/DO	FSCLK	D1	MIOSI1
15	ADBUS2	RTS#	D2	D2	D2	D2	TDO/DI	FSDO	D2	MIOSI2
16	ADBUS3	CTS#	D3	D3	D3	D3	TMS/CS	FSCTS	D3	MIOSI3
17	ADBUS4	DTR#	D4	D4	D4	D4	GPIOL0	** TriSt-UP	D4	MIOSI4
18	ADBUS5	DSR#	D5	D5	D5	D5	GPIOL1	** TriSt-UP	D5	MIOSI5
19	ADBUS6	DCD#	D6	D6	D6	D6	GPIOL2	** TriSt-UP	D6	MIOSI6
20	ADBUS7	RI#	D7	D7	D7	D7	GPIOL3	** TriSt-UP	D7	MIOSI7
21	ACBUS0	* TXDEN	RXF#	RXF#	ACBUS0	ACBUS0	GPIOH0	** ACBUS0	CS#	SCLK
25	ACBUS1	** ACBUS1	TXE#	TXE#	WRSTB#	WRSTB#	GPIOH1	** ACBUS1	A0	SS_N
26	ACBUS2	** ACBUS2	RD#	RD#	RDSTB#	RDSTB#	GPIOH2	** ACBUS2	RD#	MISO
27	ACBUS3	* RXLED#	WR	WR	ACBUS3	ACBUS3	GPIOH3	** ACBUS3	WR	ACBUS3
28	ACBUS4	* TXLED#	SIWU#	SIWU#	SIWU#	SIWU#	GPIOH4	SIWU#	SIWU#	ACBUS4
29	ACBUS5	** ACBUS5	CLKOUT	ACBUS5	** ACBUS5	** ACBUS5	GPIOH5	** ACBUS5	** ACBUS5	ACBUS5
30	ACBUS6	** ACBUS6	OE#	ACBUS6	ACBUS6	ACBUS6	GPIOH6	** ACBUS6	** ACBUS6	ACBUS6
31	ACBUS7	PWRSV#	PWRSV#	PWRSV#	PWRSV#	PWRSV#	*** GPIOH7	PWRSV#	PWRSV#	PWRSV#
32	ACBUS8	** ACBUS8	** ACBUS8	** ACBUS8	** ACBUS8	** ACBUS8	** ACBUS8	** ACBUS8	** ACBUS8	ACBUS8
33	ACBUS9	** ACBUS9	** ACBUS9	** ACBUS9	** ACBUS9	** ACBUS9	** ACBUS9	** ACBUS9	** ACBUS9	ACBUS9

Table 4.1 – List of the Modules Signals

Pins marked ** default to tri-stated inputs with an internal 75KΩ (approx.) pull up resistor to VCCIO.

Pin marked *** default to GPIO line with an internal 75KΩ pull down resistor to GND. Using the EEPROM this pin can be enabled USBVCC mode instead of GPIO mode.

The following 2 tables provide a description of the signals available on each pin of the UM232H module

Pin No.	IC Port Name	PCB Port Name	Type	Description
CN2-1	ADBUS0	D0	Input/Output	EEPROM configurable data transfer pin
CN2-2	ADBUS1	D1	Input/Output	EEPROM configurable data transfer pin
CN2-3	ADBUS2	D2	Input/Output	EEPROM configurable data transfer pin
CN2-4	ADBUS3	D3	Input/Output	EEPROM configurable data transfer pin
CN2-5	ADBUS4	D4	Input/Output	EEPROM configurable data transfer pin
CN2-6	ADBUS5	D5	Input/Output	EEPROM configurable data transfer pin
CN2-7	ADBUS6	D6	Input/Output	EEPROM configurable data transfer pin
CN2-8	ADBUS7	D7	Input/Output	EEPROM configurable data transfer pin
CN2-9	ACBUS0	C0	Input/Output	EEPROM configurable control Pin, See Table 4.3
CN2-10	ACBUS1	C1	Input/Output	EEPROM configurable control Pin, See Table 4.3
CN2-11	ACBUS2	C2	Input/Output	EEPROM configurable control Pin, See Table 4.3
CN2-12	ACBUS3	C3	Input/Output	EEPROM configurable control Pin, See Table 4.3
CN2-13	ACBUS4	C4	Input/Output	EEPROM configurable control Pin, See Table 4.3
CN2-14	ACBUS5	C5	Input/Output	EEPROM configurable control Pin, See Table 4.3
CN2-15	ACBUS6	C6	Input/Output	EEPROM configurable control Pin, See Table 4.3
CN2-16	ACBUS7	C7	Input/Output	EEPROM configurable control Pin, See Table 4.3
CN2-17	-	5V	Power	5V power output, 500mA limit, protected by a 750mA fuse.
CN2-18	GND	GND	Ground	Module Ground

Table 4.2 – Module Pin Out Description

4.3 CBUS Signal Options

The following options can be configured on the CBUS I/O pins. These options are all configured in the internal MTP ROM using the utility software FT_PROG, which can be downloaded from the www.ftdichip.com. The default configuration is described in Section 8.

ACBUS Signal Option	Available On ACBUS Pin	Description
TXDEN	ACBUS0, ACBUS1, ACBUS2, ACBUS3, ACBUS4, ACBUS5, ACBUS6, ACBUS8, ACBUS9	TXDEN = (TTL level). Used with RS485 level converters to enable the line driver during data transmit. TXDEN is active from one-bit time before the start bit is transmitted on TXD until one bit time after the last stop bit.
PWREN#	ACBUS0, ACBUS1, ACBUS2, ACBUS3, ACBUS4, ACBUS5, ACBUS6, ACBUS8, ACBUS9	Output is low after the device has been configured by USB, then high during USB suspend mode. This output can be used to control power to external logic P-Channel logic level MOSFET switch. Enable the interface pull-down option when using the PWREN# in this way.
TXLED#	ACBUS0, ACBUS1, ACBUS2, ACBUS3, ACBUS4, ACBUS5, ACBUS6, ACBUS8, ACBUS9	TXLED = Transmit signalling output. Pulses low when transmitting data (TXD) to the external device. This can be connected to an LED.
RXLED#	ACBUS0, ACBUS1, ACBUS2, ACBUS3, ACBUS4, ACBUS5, ACBUS6, ACBUS8, ACBUS9	RXLED = Receive signalling output. Pulses low when receiving data (RXD) from the external device. This can be connected to an LED.
TX&RXLED#	ACBUS0, ACBUS1, ACBUS2, ACBUS3, ACBUS4, ACBUS5, ACBUS6, ACBUS8, ACBUS9	LED drive – pulses low when transmitting or receiving data from or to the external device. For more details, refer to the FT232H datasheet on the FTDI website .
SLEEP#	ACBUS0, ACBUS1, ACBUS2, ACBUS3, ACBUS4, ACBUS5, ACBUS6, ACBUS8, ACBUS9	Goes low during USB suspend mode. Typically used to power down an external TTL to RS232 level converter IC in USB to RS232 converter designs.
**CLK30	ACBUS0, ACBUS5, ACBUS6, ACBUS8, ACBUS9	30MHz Clock output.
**CLK15	ACBUS0, ACBUS5, ACBUS6, ACBUS8, ACBUS9	15MHz Clock output.
**CLK7.5	ACBUS0, ACBUS5, ACBUS6, ACBUS8, ACBUS9	7.5MHz Clock output.
TriSt-PU	ACBUS0, ACBUS1, ACBUS2, ACBUS3, ACBUS4, ACBUS5, ACBUS6, ACBUS8, ACBUS9	Input Pull Up
DRIVE 1	ACBUS0, ACBUS5, ACBUS6, ACBUS8, ACBUS9	Output High
DRIVE 0	ACBUS0, ACBUS1, ACBUS2, ACBUS3, ACBUS4, ACBUS5, ACBUS6, ACBUS8, ACBUS9	Output Low
I/O mode	ACBUS5, ACBUS6, ACBUS8, ACBUS9	ACBUS BitBang

Table 4.3 – CBUS Signal Options

**When in USB suspend mode the outputs clocks are also suspended.

4.4 Configuring the EEPROM

The UM232H-B contains an on-board EEPROM. This can be used to configure the functions of each CBUS pin, the current drive on each signal pin, current limit for the USB bus and the other descriptors of the device. For details on using the EEPROM programming utility FT_PROG, please see the FT_PROG User Guide.

5 Module Dimensions

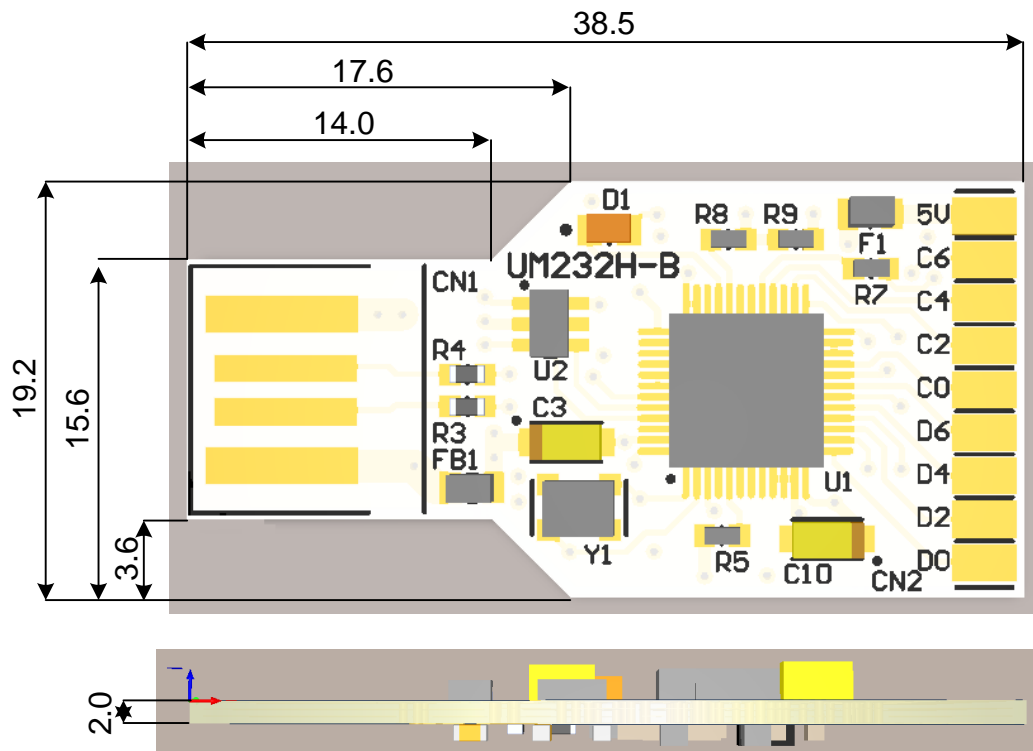


Figure 5.1 – UM232H-B Module Dimensions

All dimensions are given in millimetres.

The UM232H-B module exclusively uses lead free components, and is fully compliant with European Union directive 2002/95/EC.

6 UM232H-B-WE Wire Colours

The -WE variant is supplied with a short cable. The wire colours are matched to signals as indicated below.

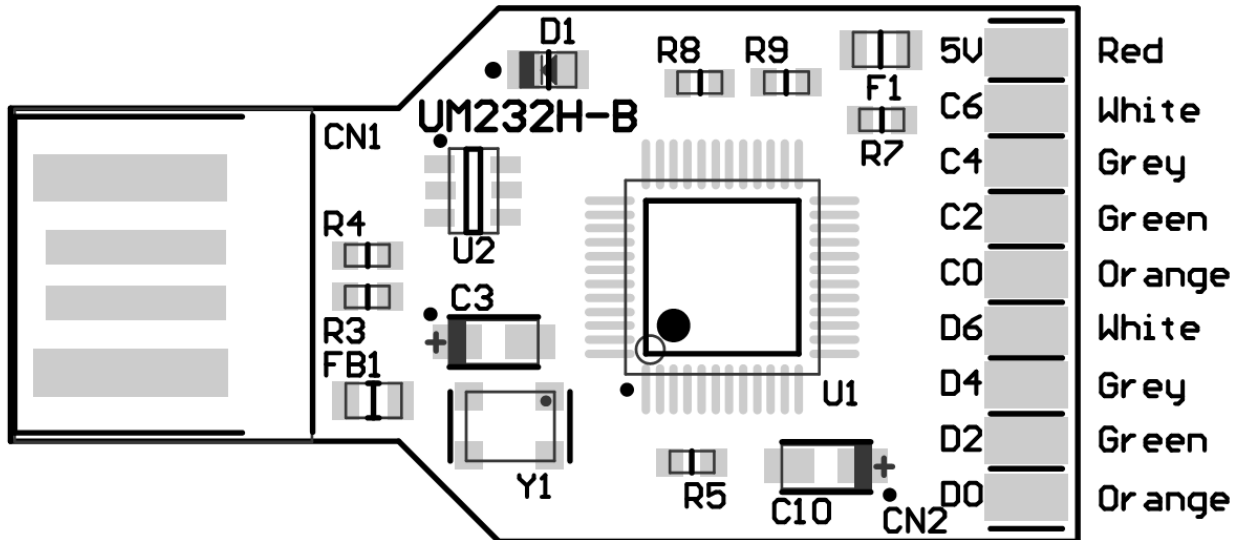


Figure 6.1 – UM232H-B-WE Wire Colours (Top View)

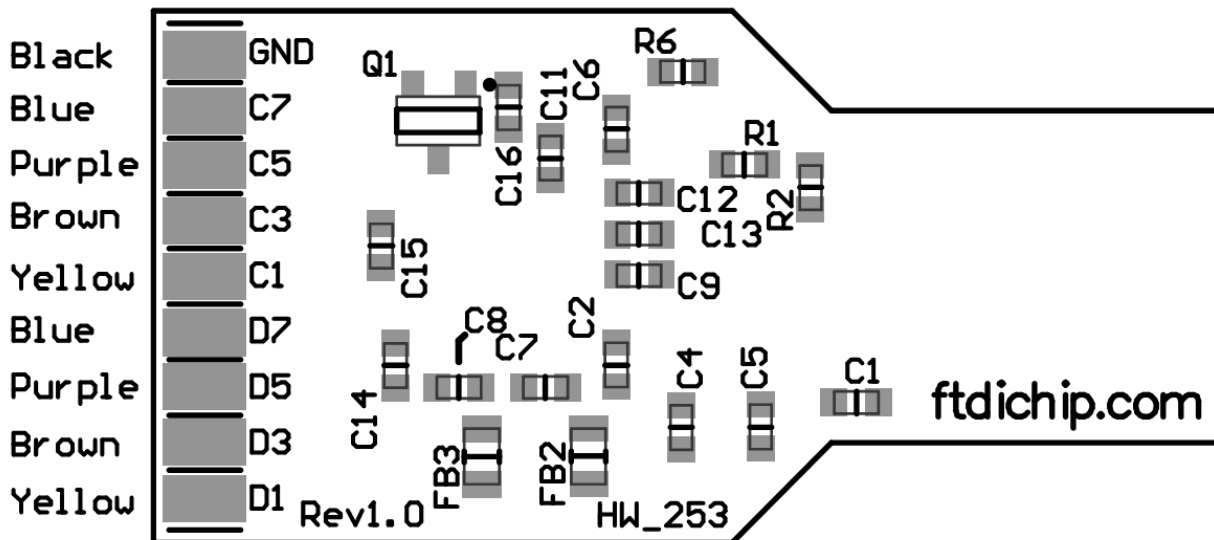


Figure 6.2 – UM232H-B-WE Wire Colours (Bottom View)

7 UM232H-B Module Circuit Schematic

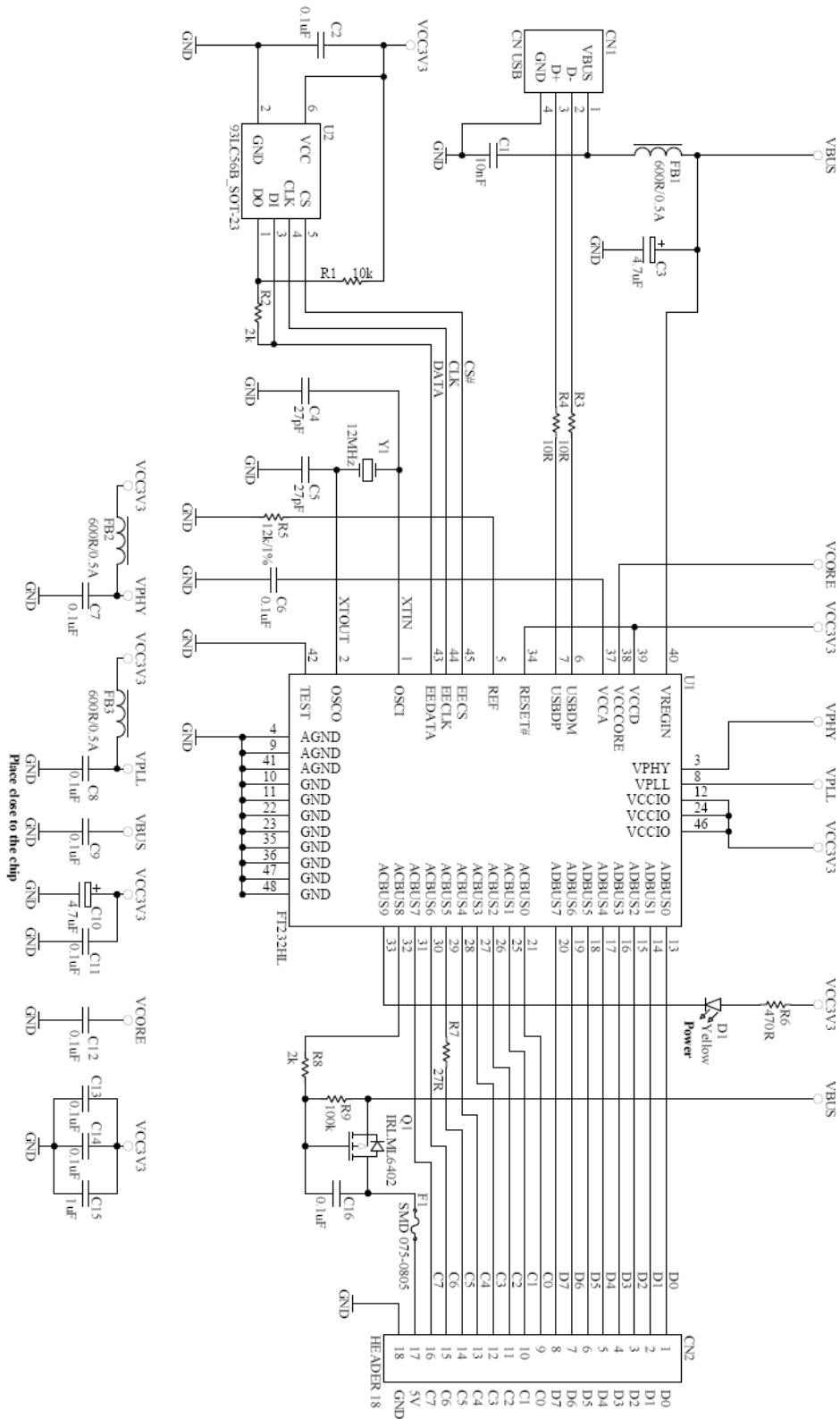


Figure 7.1 – Module Circuit Schematic

8 Internal MTP ROM Configuration

Following a power-on reset or a USB reset the FT232H will scan its internal EEPROM and read the USB configuration descriptors stored there. The default values programmed into the external EEPROM for the FT232H used on the UM232H-B are shown in Table 8.1.

Parameter	Value	Notes
USB Vendor ID (VID)	0403h	FTDI default VID (hex)
USB Product UD (PID)	6014h	FTDI default PID (hex)
Serial Number Enabled?	Yes	
Serial Number	See Note	A unique serial number is generated and programmed into the EEPROM during final test of the UM232H-B module.
Pull down I/O Pins in USB Suspend	Disabled	Enabling this option will make the device pull down on the UART interface lines when the power is shut off (PWREN# is high).
Manufacturer Name	FTDI	
Product Description	UM232H-B	
Max Bus Power Current	90mA	
Power Source	Bus Powered	
Device Type	FT232H	
USB Version	0200	Returns USB 2.0 device description to the host. Note: The device is a USB 2.0 Full Speed device (12Mb/s) as opposed to a USB 2.0 High Speed device (480Mb/s).
Remote Wake Up	Enabled	Taking RI# low will wake up the USB host controller from suspend.
High Current I/Os	Disabled	Enables the high drive level on the UART and CBUS I/O pins.
Load VCP Driver	Enabled	Makes the device load the VCP driver interface for the device.
CBUS0	TriSt-PU	Tristate Input pulled up
CBUS1	TriSt-PU	Tristate Input pulled up
CBUS2	TriSt-PU	Tristate Input pulled up
CBUS3	TriSt-PU	Tristate Input pulled up
CBUS4	TriSt-PU	Tristate Input pulled up
CBUS5	TriSt-PU	Tristate Input pulled up
CBUS6	TriSt-PU	Tristate Input pulled up
CBUS7	TriSt-PU	Tristate Input pulled up
CBUS8	PWREN#	Power Enable, low when FT232H enumerates, switches 5V output power on when the device enumerates.
CBUS9	PWREN#	Power Enable, low when the FT232H enumerates, , switches the on board LED on when the device enumerates.
Invert UART	Disabled	Signal on this pin becomes TXD# if enable.

Table 8.1 – Default Internal MTP ROM Configuration

The on board EEPROM can be programmed over USB using the utility program FT_PROG. FT_PROG can be downloaded from the www.ftdichip.com. Users who do not have their own USB vendor ID but who would like to use a unique Product ID in their design can apply to FTDI for a free block of unique PIDs. Contact [FTDI Support](mailto:support1@ftdichip.com) (support1@ftdichip.com) for this service, also see [TN 100](#) and [TN 101](#).

9 FTDI Chip Contact Information

Head Office – Glasgow, UK

Unit 1, 2 Seaward Place, Centurion Business Park
Glasgow G41 1HH
United Kingdom
Tel: +44 (0) 141 429 2777
Fax: +44 (0) 141 429 2758

E-mail (Sales) sales1@ftdichip.com
E-mail (Support) support1@ftdichip.com
E-mail (General Enquiries) admin1@ftdichip.com

Branch Office – Oregon, USA

7130 SW Fir Loop
Tigard, OR 97223
USA
Tel: +1 (503) 547 0988
Fax: +1 (503) 547 0987

E-Mail (Sales) us.sales@ftdichip.com
E-Mail (Support) us.support@ftdichip.com
E-Mail (General Enquiries) us.admin@ftdichip.com

Branch Office – Taipei, Taiwan

2F, No. 516, Sec. 1, NeiHu Road
Taipei 114
Taiwan, R.O.C.
Tel: +886 (0) 2 8791 3570
Fax: +886 (0) 2 8791 3576

E-mail (Sales) asia.sales1@ftdichip.com
E-mail (Support) asia.support1@ftdichip.com
E-mail (General Enquiries) asia.admin1@ftdichip.com

Branch Office – Shanghai, China

Room 1103, No. 666 West Huaihai Road,
Shanghai, 200052
China
Tel: +86 (0)21 6235 1596
Fax: +86 (0)21 6235 1595

E-mail (Sales) cn.sales@ftdichip.com
E-mail (Support) cn.support@ftdichip.com
E-mail (General Enquiries) cn.admin@ftdichip.com

Web Site

<http://ftdichip.com>

Distributor and Sales Representatives

Please visit the Sales Network page of the [FTDI Web site](#) for the contact details of our distributor(s) and sales representative(s) in your country.

System and equipment manufacturers and designers are responsible to ensure that their systems, and any Future Technology Devices International Ltd (FTDI) devices incorporated in their systems, meet all applicable safety, regulatory and system-level performance requirements. All application-related information in this document (including application descriptions, suggested FTDI devices and other materials) is provided for reference only. While FTDI has taken care to assure it is accurate, this information is subject to customer confirmation, and FTDI disclaims all liability for system designs and for any applications assistance provided by FTDI. Use of FTDI devices in life support and/or safety applications is entirely at the user's risk, and the user agrees to defend, indemnify and hold harmless FTDI from any and all damages, claims, suits or expense resulting from such use. This document is subject to change without notice. No freedom to use patents or other intellectual property rights is implied by the publication of this document. Neither the whole nor any part of the information contained in, or the product described in this document, may be adapted or reproduced in any material or electronic form without the prior written consent of the copyright holder. Future Technology Devices International Ltd, Unit 1, 2 Seaward Place, Centurion Business Park, Glasgow G41 1HH, United Kingdom. Scotland Registered Company Number: SC136640

Appendix A - List of Figures and Tables

List of Figures

Figure 4.1 – Module Pin Out	3
Figure 5.1 – UM232H-B Module Dimensions	7
Figure 6.1 – UM232H-B-WE Wire Colours (Top View).....	8
Figure 6.2 – UM232H-B-WE Wire Colours (Bottom View).....	8
Figure 7.1 – Module Circuit Schematic.....	9

List of Tables

Table 3.1 – Ordering Information	3
Table 4.1 – List of the Modules Signals.....	4
Table 4.2 – Module Pin Out Description	5
Table 4.3 – CBUS Signal Options.....	6
Table 8.1 – Default Internal MTP ROM Configuration	10

Appendix B – Revision History

Document Title: UM232H-B
Document Reference No.: FT_000721
Clearance No.: FTDI# 320
Product Page: <http://www.ftdichip.com/fastlane.htm>
Document Feedback: [Send Feedback](#)

Version 1.0 Initial Datasheet

30/10/12



Стандарт Электрон Связь

Мы молодая и активно развивающаяся компания в области поставок электронных компонентов. Мы поставляем электронные компоненты отечественного и импортного производства напрямую от производителей и с крупнейших складов мира.

Благодаря сотрудничеству с мировыми поставщиками мы осуществляем комплексные и плановые поставки широчайшего спектра электронных компонентов.

Собственная эффективная логистика и склад в обеспечивает надежную поставку продукции в точно указанные сроки по всей России.

Мы осуществляем техническую поддержку нашим клиентам и предпродажную проверку качества продукции. На все поставляемые продукты мы предоставляем гарантию .

Осуществляем поставки продукции под контролем ВП МО РФ на предприятия военно-промышленного комплекса России , а также работаем в рамках 275 ФЗ с открытием отдельных счетов в уполномоченном банке. Система менеджмента качества компании соответствует требованиям ГОСТ ISO 9001.

Минимальные сроки поставки, гибкие цены, неограниченный ассортимент и индивидуальный подход к клиентам являются основой для выстраивания долгосрочного и эффективного сотрудничества с предприятиями радиоэлектронной промышленности, предприятиями ВПК и научно-исследовательскими институтами России.

С нами вы становитесь еще успешнее!

Наши контакты:

Телефон: +7 812 627 14 35

Электронная почта: sales@st-electron.ru

Адрес: 198099, Санкт-Петербург,
Промышленная ул, дом № 19, литера Н,
помещение 100-Н Офис 331