

# AX-SIGFOX

## Ultra-Low Power, AT Command Controlled, Sigfox<sup>®</sup> Compliant Transceiver IC for Up-Link and Down-Link



ON Semiconductor<sup>®</sup>

[www.onsemi.com](http://www.onsemi.com)

### OVERVIEW

#### Circuit Description

AX-Sigfox is an ultra-low power single chip solution for a node on the Sigfox network with both up- and down-link functionality. The AX-Sigfox chip is delivered fully ready for operation and contains all the necessary firmware to transmit and receive data from the Sigfox network in Europe. It connects to the customer product using a logic level RS232 UART. AT commands are used to send frames and configure radio parameters.

#### Features

Functionality and Ecosystem

- Sigfox up-link and down-link functionality controlled by AT commands
- The AX-Sigfox IC is part of a whole development and product ecosystem available from ON Semiconductor for any Sigfox requirement. Other parts of the ecosystem include
  - ◆ Ready to go AX-Sigfox development kit with fully functional AX-Sigfox module including Sigfox subscription
  - ◆ Sigfox Ready<sup>®</sup> certified reference design for the AX-Sigfox IC
  - ◆ MiniStamp by ON Semiconductor Sigfox modules with SMA connector or chip antenna
  - ◆ AX-Sigfox-API IC for customers wishing to write their own application software based on the AXSEM Sigfox Library

General Features

- QFN40 5 mm x 7 mm package
- Supply range 1.8 V – 3.6 V
- –40°C to 85°C
- Temperature sensor
- Supply voltage measurements
- 10 GPIO pins
  - ◆ 4 GPIO pins with selectable voltage measure functionality, differential (1 V or 10 V range) or single ended (1 V range) with 10 bit resolution

- ◆ 2 GPIO pins with selectable sigma delta DAC output functionality
- ◆ 2 GPIO pins with selectable output clock
- ◆ 3 GPIO pins selectable as SPI master interface
- ◆ Integrated RX/TX switching with differential antenna pins

Power Consumption

- Ultra-low Power Consumption:
  - ◆ Charge required to send a Sigfox OOB packet at 14 dBm output power: 0.28 C
  - ◆ Deepsleep mode current: 100 nA
  - ◆ Sleep mode current: 1.3  $\mu$ A
  - ◆ Standby mode current: 0.5 mA
  - ◆ Continuous radio RX-mode at 869.525 MHz : 10 mA
  - ◆ Continuous radio TX-mode at 868.130 MHz 19 mA @ 0 dBm 49 mA @ 14 dBm

High Performance Narrow-band Sigfox RF Transceiver

- Receiver
  - ◆ Carrier frequency 869.525 MHz
  - ◆ Data-rate 600 bps FSK
  - ◆ Sensitivity –126 dBm @ 600 bps, 869.525 MHz, GFSK
  - ◆ 0 dBm maximum input power
- Transmitter
  - ◆ Carrier frequency 868.13 MHz
  - ◆ Data-rate 100 bps PSK
  - ◆ High efficiency, high linearity integrated power amplifier
  - ◆ Maximum output power 14 dBm
  - ◆ Power level programmable in 1 dBm steps

Applications

Sigfox networks up-link and down-link.

# AX-SIGFOX

## BLOCK DIAGRAM

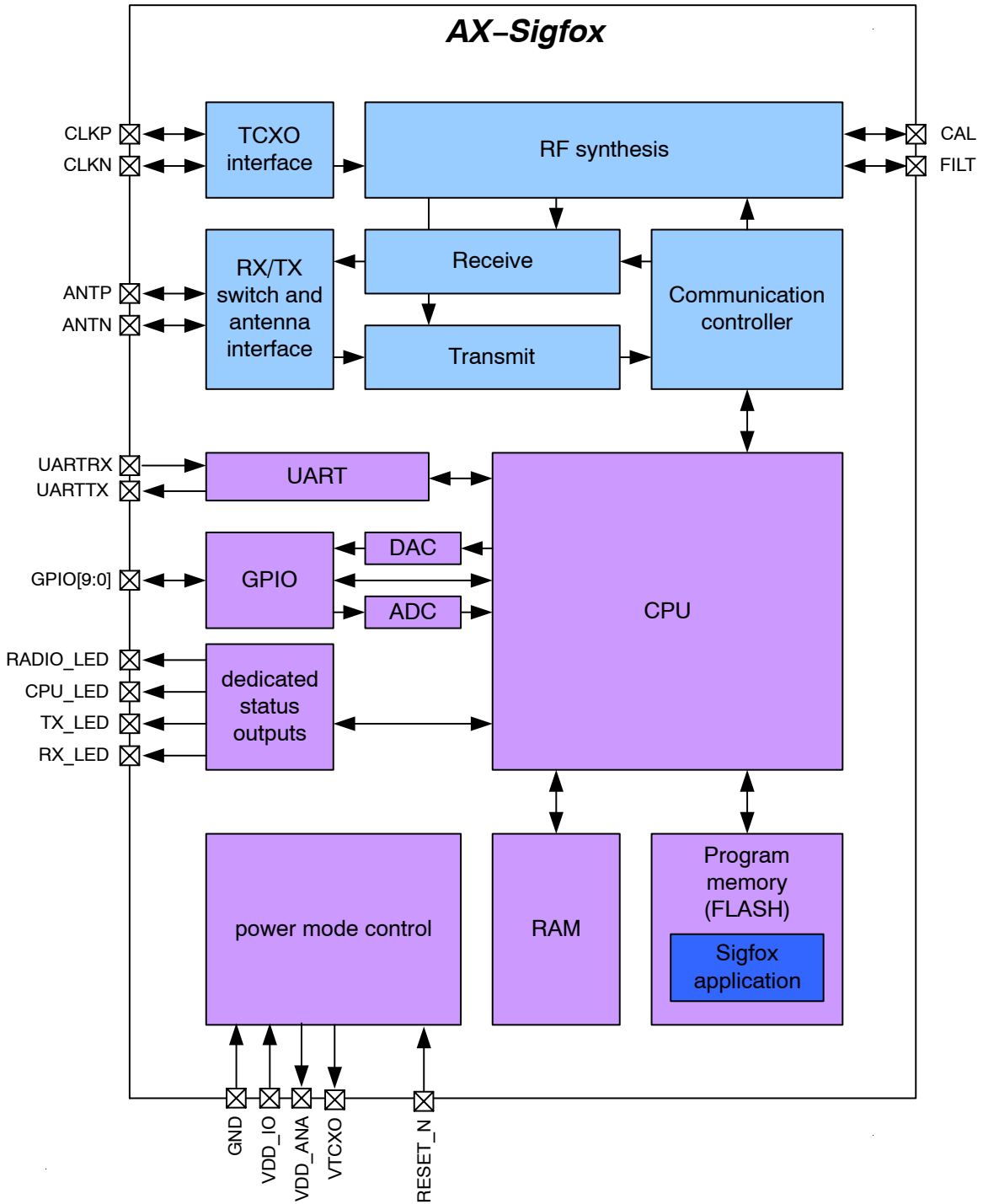


Figure 1. Functional Block Diagram of the AX-SIGFOX

# AX-SIGFOX

**Table 1. PIN FUNCTION DESCRIPTIONS**

Symbol	Pin(s)	Type	Description
VDD_ANA	1	P	Analog power output, decouple to neighboring GND
GND	2	P	Ground, decouple to neighboring VDD_ANA
ANTP	3	A	Differential antenna input/output
ANTN	4	A	Differential antenna input/output
NC	5	N	Do not connect
GND	6	P	Ground, decouple to neighboring VDD_ANA
VDD_ANA	7	P	Analog power output, decouple to neighboring GND
GND	8	P	Ground
FILT	9	A	Synthesizer filter
L2	10	A	Must be connected to pin L1
L1	11	A	Must be connected to pin L2
NC	12	N	Do not connect
GPIO8	13	I/O/PU	General purpose IO
GPIO7	14	I/O/PU	General purpose IO, selectable SPI functionality (MISO)
GPIO6	15	I/O/PU	General purpose IO, selectable SPI functionality (MOSI)
GPIO5	16	I/O/PU	General purpose IO, selectable SPI functionality (SCK)
GPIO4	17	I/O/PU	General purpose IO, selectable $\Sigma\Delta$ DAC functionality, selectable dock functionality
CPU_LED	18	O	CPU activity indicator
RADIO_LED	19	O	Radio activity indicator
VTCXO	20	O	TCXO power
GPIO9	21	I/O/PU	General purpose IO, wakeup from deep sleep
UARTTX	22	O	UART transmit
UARTRX	23	I/PU	UART receive
RX_LED	24	O	Receive activity indicator
TX_LED	25	O	Transmit activity indicator
NC	26	PD	Do not connect
RESET_N	27	I/PU	Optional reset pin. Internal pull-up resistor is permanently enabled, nevertheless it is recommended to connect this pin to VDD_IO if it is not used.
GND	28	P	Ground
VDD_IO	29	P	Unregulated power supply
GPIO0	30	I/O/A/PU	General purpose IO, selectable ADC functionality, selectable $\Sigma\Delta$ DAC functionality, selectable clock functionality
GPIO1	31	I/O/A/PU	General purpose IO, selectable ADC functionality
GPIO2	32	I/O/A/PU	General purpose IO, selectable ADC functionality
NC	33	N	Do not connect
NC	34	N	Do not connect
GPIO3	35	I/O/A/PU	General purpose IO, selectable ADC functionality
VDD_IO	36	P	Unregulated power supply
CAL	37	A	Connect to FILT as shown in the application diagram
NC	38	N	Connect to Ground
CLKN	39	A	TCXO interface

# AX-SIGFOX

**Table 1. PIN FUNCTION DESCRIPTIONS**

Symbol	Pin(s)	Type	Description
CLKP	40	A	TCXO interface
GND	Center pad	P	Ground on center pad of QFN, must be connected

A = analog input  
 I = digital input signal  
 O = digital output signal  
 PU = pull-up  
 I/O = digital input/output signal  
 N = not to be connected  
 P = power or ground  
 PD = pull-down

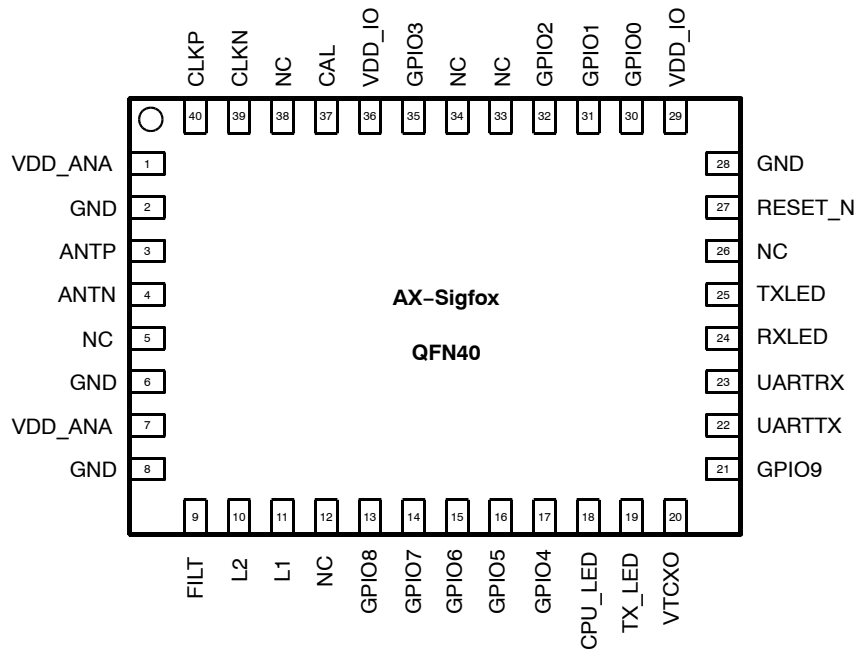
All digital inputs are Schmitt trigger inputs, digital input and output levels are LVCMOS/LVTTL compatible. Pins GPIO[3:0] must not be driven above VDD\_IO, all other digital inputs are 5 V tolerant. All GPIO pins and UARTRX start up as input with pull-up. For explanations on how to use the GPIO pins, see chapter “AT Commands”.

**Table 2.**

Pin	Possible GPIO Modes
GPIO0	0, 1, Z, U, A, T
GPIO1	0, 1, Z, U, A
GPIO2	0, 1, Z, U, A
GPIO3	0, 1, Z, U, A
GPIO4	0, 1, Z, U, T
GPIO5	0, 1, Z, U
GPIO6	0, 1, Z, U
GPIO7	0, 1, Z, U
GPIO8	0, 1, Z, U
GPIO9	0, 1, Z, U

0 = pin drives  
 1 = not to be connected  
 Z = pin is high impedance input  
 U = pin is input with pull-up  
 A = pin is analog input  
 T = pin is driven by clock or DAC

## Pinout Drawing



**Figure 2. Pinout Drawing (Top View)**

# AX-SIGFOX

## SPECIFICATIONS

**Table 3. ABSOLUTE MAXIMUM RATINGS**

Symbol	Description	Condition	Min	Max	Units
VDD_IO	Supply voltage		-0.5	5.5	V
IDD	Supply current			200	mA
P <sub>tot</sub>	Total power consumption			800	mW
P <sub>i</sub>	Absolute maximum input power at receiver input	ANTP and ANTN pins in RX mode		10	dBm
I <sub>I1</sub>	DC current into any pin except ANTP, ANTN		-10	10	mA
I <sub>I2</sub>	DC current into pins ANTP, ANTN		-100	100	mA
I <sub>O</sub>	Output Current			40	mA
V <sub>ia</sub>	Input voltage ANTP, ANTN pins		-0.5	5.5	V
	Input voltage digital pins		-0.5	5.5	V
V <sub>es</sub>	Electrostatic handling	HBM	-2000	2000	V
T <sub>amb</sub>	Operating temperature		-40	85	°C
T <sub>stg</sub>	Storage temperature		-65	150	°C
T <sub>j</sub>	Junction Temperature			150	°C

Stresses exceeding those listed in the Maximum Ratings table may damage the device. If any of these limits are exceeded, device functionality should not be assumed, damage may occur and reliability may be affected.

1. Exposure to absolute maximum rating conditions for extended periods may affect device reliability.

# AX-SIGFOX

## DC Characteristics

**Table 4. SUPPLIES**

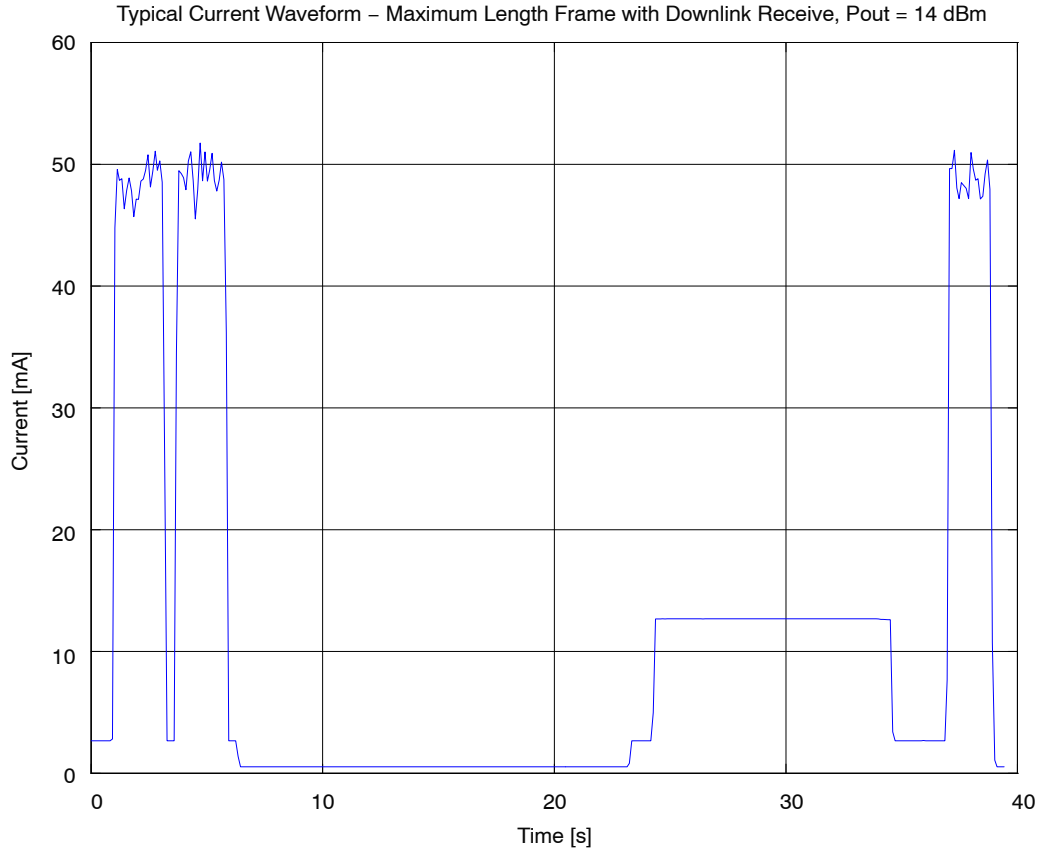
Conditions for all current and charge values unless otherwise specified are for the hardware configuration described in the AX-Sigfox Application Note: Sigfox Compliant Reference Design.

Symbol	Description	Condition	Min	Typ	Max	Units
T <sub>AMB</sub>	Operational ambient temperature		-40	27	85	°C
VDD <sub>IO</sub>	I/O and voltage regulator supply voltage		1.8	3.0	3.6	V
VDD <sub>IO_R1</sub>	I/O voltage ramp for reset activation; Note 1	Ramp starts at VDD_IO ≤ 0.1 V	0.1			V/ms
VDD <sub>IO_R2</sub>	I/O voltage ramp for reset activation; Note 1	Ramp starts at 0.1 V < VDD_IO < 0.7 V	3.3			V/ms
I <sub>DS</sub>	Deep sleep mode current	AT\$P=2		100		nA
I <sub>SLP</sub>	Sleep mode current	AT\$P=1		1.3		µA
I <sub>STDBY</sub>	Standby mode current Note 3			0.5		mA
I <sub>RX_CONT</sub>	Current consumption continuous RX	AT\$SR=1,1,-1		10		mA
Q <sub>SFX_OOB_0</sub>	Charge to send a Sigfox out of band message, 0 dBm	AT\$S0		0.12		C
Q <sub>SFX_BIT_0</sub>	Charge to send a bit, 0 dBm	AT\$SB=0		0.08		C
Q <sub>SFX_BITDL_0</sub>	Charge to send a bit with downlink receive, 0 dBm	AT\$SB=0,1		0.27		C
Q <sub>SFX_LFR_0</sub>	Charge to send the longest possible Sigfox frame (12 byte) , 0dBm	AT\$SF=00112233445566778899aabb		0.14		C
Q <sub>SFX_LFRDL_0</sub>	Charge to send the longest possible Sigfox frame (12 byte) with downlink receive, 0 dBm	AT\$SF=00112233445566778899aabb,1		0.27		C
Q <sub>SFX_OOB_14</sub>	Charge to send a Sigfox out of band message, 14 dBm	AT\$S0		0.28		C
Q <sub>SFX_BIT_14</sub>	Charge to send a bit, 14 dBm	AT\$SB=0		0.20		C
Q <sub>SFX_BITDL_14</sub>	Charge to send a bit with downlink receive, 14 dBm	AT\$SB=0,1		0.35		C
Q <sub>SFX_LFR_14</sub>	Charge to send the longest possible Sigfox frame (12 byte) , 14 dBm	AT\$SF=00112233445566778899aabb		0.39		C
Q <sub>SFX_LFRDL_14</sub>	Charge to send the longest possible Sigfox frame (12 byte) with downlink receive, 14 dBm	AT\$SF=00112233445566778899aabb,1		0.46		C
I <sub>TXMOD0AVG</sub>	Modulated Transmitter Current, Note 2	Pout=0 dBm; average		19.0		mA
I <sub>TXMOD14AVG</sub>	Modulated Transmitter Current, Note 2	Pout=14 dBm; average		49.0		mA

1. If VDD\_IO ramps cannot be guaranteed, an external reset circuit is recommended, see the AX8052 Application Note: Power On Reset
2. The output power of the AX-Sigfox can be programmed in 1 dB steps from 0 dBm – 14 dBm. Current consumption values are given for a matching network that is optimized for 14 dBm output. 0 dBm transmission with typically 10 mA can be achieved with other networks that are optimized for 0 dBm operation.
3. Internal 20 MHz oscillator, voltage conditioning and supervisory circuit running.

# AX-SIGFOX

## Typical Current Waveform



**Figure 3. Typical Current Waveform for a Maximum Length Frame with Downlink Receive at 14 dBm Output Power**

### Battery Life Examples

Scenario 1:

- CR2032 coin cell battery
- One OOB frame transmitter per day at Pout=0 dBm

- Device in Sleep
- Neglecting battery self discharge

CR2032 capacity	225 mAh * 3600 s/h	810 C
Sleep charge per day	1.3 $\mu$ A * 86400 s	0.11 C/day
OOB frame transmission		0.12 C/day
Total Charge consumption		0.23 C/day
Battery life		9.6 Years

Scenario 2:

- 2 AAA Alkaline batteries in series
- One OOB frame transmitter per day at Pout=14 dBm

- Four maximum length frames with downlink receive per day at Pout=14 dBm
- Device in Sleep
- Neglecting battery self discharge

2 AAA alkaline capacity	1500 mAh * 3600 s/h	5400 C
Sleep charge per day	1.3 $\mu$ A * 86400 s	0.11 C/day
OOB frame transmission		0.28 C/day
Frame transmission with downlink	4 * 0.46 C/day	1.84 C/day
Total Charge consumption		2.26 C/day
Battery life		6.5 Years

# AX-SIGFOX

**Table 5. LOGIC**

Symbol	Description	Condition	Min	Typ	Max	Units
<b>Digital Inputs</b>						
V <sub>T+</sub>	Schmitt trigger low to high threshold point	VDD_IO = 3.3 V		1.55		V
V <sub>T-</sub>	Schmitt trigger high to low threshold point			1.25		V
V <sub>IL</sub>	Input voltage, low				0.8	V
V <sub>IH</sub>	Input voltage, high		2.0			V
V <sub>IPA</sub>	Input voltage range, GPIO[3:0]		-0.5		VDD_IO	V
V <sub>IPBC</sub>	Input voltage range, GPIO[9:4], UARTTX		-0.5		5.5	V
I <sub>L</sub>	Input leakage current		-10		10	μA
R <sub>PU</sub>	Programmable Pull-Up Resistance			65		kΩ
<b>Digital Outputs</b>						
I <sub>OH</sub>	Output Current, high Ports GPIO[9:0], UARTTX, TXLED, RXLED, TXLED, CPULED	V <sub>OH</sub> = 2.4 V	8			mA
I <sub>OL</sub>	Output Current, low GPIO[9:0], UARTTX, TXLED, RXLED, TXLED, CPULED	V <sub>OL</sub> = 0.4 V	8			mA
I <sub>oZ</sub>	Tri-state output leakage current		-10		10	μA

## AC Characteristics

**Table 6. TCXO REFERENCE INPUT**

Symbol	Description	Condition	Min	Typ	Max	Units
f <sub>TCXO</sub>	TCXO frequency	A passive network between the TCXO output and the pins CLKP and CLKN is required. For detailed TCXO network recommendations depending on the TCXO output swing refer to the AX5043 Application Note: Use with a TCXO Reference Clock. For TCXO recommendations see the Ax-Sigfox Application Note: Sigfox Compliant Reference Design		48		MHz

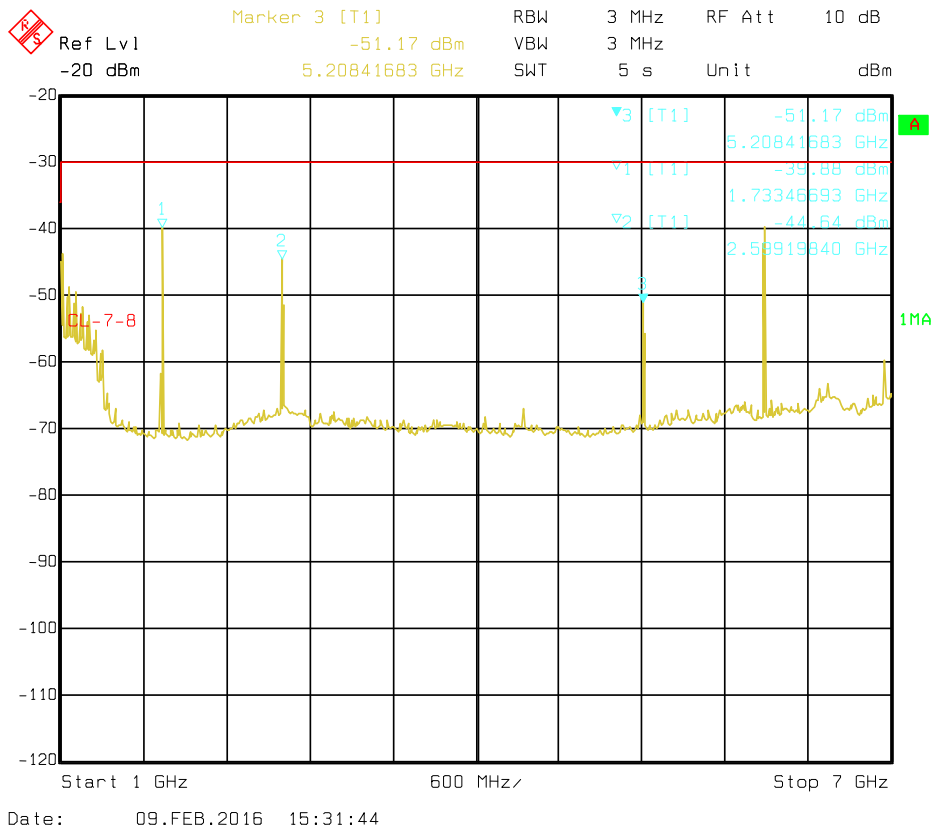
**Table 7. TRANSMITTER**

Conditions for transmitter specifications unless otherwise specified with the antenna network from AX-Sigfox Application Note: Sigfox Compliant Reference Design and at 868.130 MHz.

Symbol	Description	Condition	Min	Typ	Max	Units
SBR	Signal bit rate			100		bps
PTX <sub>min</sub>	Lowest Transmitter output power	AT\$CW=868130000,1,0		0		dBm
PTX <sub>max</sub>	Highest Transmitter output power	AT\$CW=868130000,1,14		14		dBm
PTX <sub>step</sub>	Programming step size output power			1		dB
dTX <sub>temp</sub>	Transmitter power variation vs. temperature	-40°C to +85°C		±0.5		dB
dTX <sub>Vdd</sub>	Transmitter power variation vs. VDD_IO	1.8 to 3.6 V		±0.5		dB
PTX <sub>harm2</sub>	Emission @ 2 <sup>nd</sup> harmonic			-51		dBc
PTX <sub>harm3</sub>	Emission @ 3 <sup>rd</sup> harmonic			-63		
PTX <sub>harm4</sub>	Emission @ 4 <sup>th</sup> harmonic			-84		



# AX-SIGFOX



**Figure 4. Typical Spectrum with Harmonics at 14 dBm Output Power**

## Table 8. RECEIVER

Conditions for transmitter specifications unless otherwise specified with the antenna network from AX-Sigfox Application Note: Sigfox Compliant Reference Design and at 869.525 MHz.

Symbol	Description	Condition	Min	Typ	Max	Units
SBR	Signal bit rate			600		bps
IS <sub>BER868</sub>		AT\$SB=x,1, AT\$SF=x,1, AT\$SR PER < 0.1		-126		dBm
BLK <sub>868</sub>	Blocking at ±10 MHz offset	Channel/Blocker @ PER = 0.1, wanted signal level is +3 dB above the typical sensitivity, the blocker signal is CW		78		dB

## AX-SIGFOX

**Table 9. ADC / TEMPERATURE SENSOR**

Symbol	Description	Condition	Min	Typ	Max	Units
ADCRES	ADC resolution			10		Bits
V <sub>ADCREf</sub>	ADC reference voltage		0.95	1	1.05	V
Z <sub>ADC00</sub>	Input capacitance				2.5	pF
DNL	Differential nonlinearity			± 1		LSB
INL	Integral nonlinearity			± 1		LSB
OFF	Offset			3		LSB
GAIN_ERR	Gain error			0.8		%

**ADC in Differential Mode**

V <sub>ABS_DIFF</sub>	Absolute voltages & common mode voltage in differential mode at each input		0		VDD_IO	V
V <sub>FS_DIFF01</sub>	Full swing input for differential signals	Gain x1	-500		500	mV
V <sub>FS_DIFF10</sub>		Gain x10	-50		50	mV

**ADC in Single Ended Mode**

V <sub>MID_SE</sub>	Mid code input voltage in single ended mode			0.5		V
V <sub>IN_SE00</sub>	Input voltage in single ended mode		0		VDD_IO	V
V <sub>FS_SE01</sub>	Full swing input for single ended signals	Gain x1	0		1	V

**Temperature Sensor**

T <sub>RNG</sub>	Temperature range	AT\$T?	-40		85	°C
T <sub>ERR_CAL</sub>	Temperature error	AT\$T?	-2		2	°C

## COMMAND INTERFACE

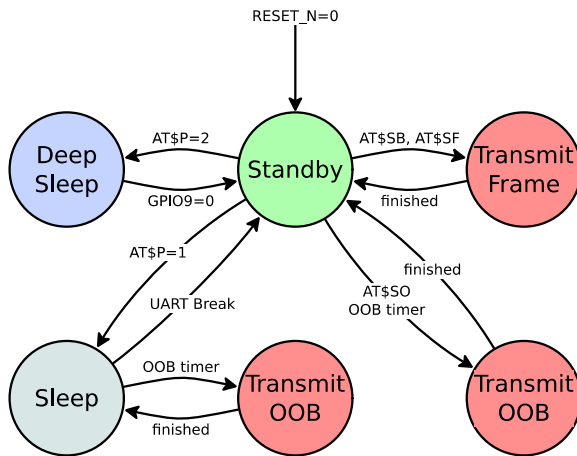
### General Information

The chapter “Command Interface” is a documentation of the AT-Command set for devices which do not have an API-interface. To see whether the device is capable of receiving AT-Commands, please refer to chapter “Part Numbers”. If the device has been shipped with the API-Interface, please refer to the AX-Sigfox SOFTWARE MANUAL for an introduction on how to setup a project and how to use the API-Interface.

### Serial Parameters: 9600, 8, N, 1

The AX-Sigfox uses the UART (pins UARTTX, UARTRX) to communicate with a host and uses a bitrate of **9600 baud**, no parity, 8 data bits and one stop bit.

### Power Modes



### Standby

After Power-Up and after finishing a SIGFOX transmission, AX-Sigfox enters Standby mode. In Standby mode, AX-Sigfox listens on the UART for commands from the host. Also, OOB frames are transmitted whenever the OOB timer fires. To conserve power, the AX-Sigfox can be put into Sleep or turned off (Deep Sleep) completely.

### Sleep

The command **AT\$P=1** is used to put the AX-Sigfox into Sleep mode. In this mode, only the wakeup timer for out-of-band messages is still running. To wake the AX-Sigfox up from Sleep mode toggle the serial UARTRX pin, e.g. by sending a break (break is an RS232 framing violation, i.e. at least 10 bit durations low). When an Out of Band (OOB) message is due, AX-Sigfox automatically wakes up to transmit the message, and then returns to Sleep mode.

### Deep Sleep

In Deep Sleep mode, the AX-Sigfox is completely turned off and only draws negligible leakage current. Deep Sleep mode can be activated with **AT\$P=2**. To wake-up from Deep Sleep mode, GPIO9 is pulled to GND.

When using Deep Sleep mode, keep two things in mind: Everything is turned off, timers are not running at all and all settings will be lost (use **AT\$WR** to save settings to flash before entering Deep Sleep mode). Out-of-band messages will therefore not be sent. The pins states are frozen in Deep Sleep mode. The user must ensure that this will not result in condition which would draw a lot of current.

### AT Commands

#### Numerical Syntax

```

hexdigit ::= [0-9A-Fa-f]
hexnum  ::= "0x" hexdigit+
decnum   ::= "0" | [1-9] [0-9]*
octnum   ::= "0" [0-7]+
binnum   ::= "0b" [01]+
bit      ::= [01]
optnum   ::= "-1"
frame    ::= (hexdigit hexdigit)+
uint     ::= hexnum | decnum | octnum | binnum
uint_opt ::= uint | optnum
    
```

#### Command Syntax

A command starts with ‘AT’ (everything is case sensitive!), continues with the actual command followed by parameters (if any) and ends with any kind of whitespace (space, tab, newline etc.)

If incorrect syntax is detected (“parsing error”) all input is ignored up until the next whitespace character.

Also note that any number can be entered in any format (Hexadecimal, Decimal, Octal and binary) by adding the corresponding prefix (‘0x’, ‘0’, ‘0b’). The only exception is the ‘Send Frame’ command (**AT\$SF**) which expects a list of hexadecimal digits without any prefix.

#### Return Codes

A successful command execution is indicated by sending ‘OK’. If a command returns a value (e.g. by querying a register) only the value is returned.

#### Examples

Bold text is sent to AX-Sigfox.

**AT\$I=0**

AXSEM AT Command Interface

Here, we execute command ‘I’ to query some general information.

**AT\$SF=aabb1234**

OK

This sends a Sigfox frame containing { 0x00 : 0x11 : 0x22 : 0x33 : 0x44 }, then waits for a downlink response telegram, which in this example contains { 0xAA : 0xBB : 0xCC : 0xDD }.

**AT\$CB=0011223344,1**

OK

RX=AA BB CC DD

## AX-SIGFOX

This sends a Sigfox frame containing { 0xAA : 0xBB : 0x12 : 0x34 } without waiting for a response telegram.

**AT\$CB=0xAA,1**  
OK

The 'CB' command sends out a continuous pattern of bits, in this case 0xAA = 0b10101010.

**AT\$P=1**  
OK

This transitions the device into sleep mode. Out-of-band transmissions will still be triggered. The UART is powered down. The device can be woken up by a low level on the UART signal, i.e. by sending break.

**Table 10. COMMANDS**

Command	Name	Description												
AT	Dummy Command	Just returns 'OK' and does nothing else. Can be used to check communication.												
AT\$SB=bit[,bit]	Send Bit	Send a bit status (0 or 1). Optional bit flag indicates if AX-Sigfox should receive a downlink frame.												
AT\$SF=frame[,bit]	Send Frame	Send payload data, 1 to 12 bytes. Optional bit flag indicates if AX-Sigfox should receive a downlink frame.												
AT\$SO	Manually send out of band message	Send the out-of-band message.												
AT\$uint?	Get Register	Query a specific configuration register's value. See chapter "Registers" for a list of registers.												
AT\$uint=uint	Set Register	Change a configuration register.												
AT\$IF=uint	Set TX Frequency	Set the output carrier macro channel for Sigfox frames.												
AT\$IF?	Get TX Frequency	Get the currently chosen TX frequency.												
AT\$DR=uint	Set RX Frequency	Set the reception carrier macro channel for Sigfox frames.												
AT\$DR?	Get RX Frequency	Get the currently chosen RX frequency.												
AT\$CW=uint,bit[,uint_opt]	Continuous Wave	<p>To run emission tests for Sigfox certification it is necessary to send a continuous wave, i.e. just the base frequency without any modulation. Parameters:</p> <table border="1"> <thead> <tr> <th>Name</th> <th>Range</th> <th>Description</th> </tr> </thead> <tbody> <tr> <td>Frequency</td> <td>800000000–999999999, 0</td> <td>Continuous wave frequency in Hz. Use 868130000 for Sigfox or 0 to keep previous frequency.</td> </tr> <tr> <td>Mode</td> <td>0, 1</td> <td>Enable or disable carrier wave.</td> </tr> <tr> <td>Power</td> <td>0–14</td> <td>dBm of signal   Default: 14</td> </tr> </tbody> </table>	Name	Range	Description	Frequency	800000000–999999999, 0	Continuous wave frequency in Hz. Use 868130000 for Sigfox or 0 to keep previous frequency.	Mode	0, 1	Enable or disable carrier wave.	Power	0–14	dBm of signal   Default: 14
Name	Range	Description												
Frequency	800000000–999999999, 0	Continuous wave frequency in Hz. Use 868130000 for Sigfox or 0 to keep previous frequency.												
Mode	0, 1	Enable or disable carrier wave.												
Power	0–14	dBm of signal   Default: 14												
AT\$CB=uint_opt,bit	Test Mode: TX constant byte	<p>For emission testing it is useful to send a specific bit pattern. The first parameter specifies the byte to send. Use '-1' for a (pseudo-)random pattern. Parameters:</p> <table border="1"> <thead> <tr> <th>Name</th> <th>Range</th> <th>Description</th> </tr> </thead> <tbody> <tr> <td>Pattern</td> <td>0–255, -1</td> <td>Byte to send. Use '-1' for a (pseudo-)random pattern.</td> </tr> <tr> <td>Mode</td> <td>0, 1</td> <td>Enable or disable pattern test mode.</td> </tr> </tbody> </table>	Name	Range	Description	Pattern	0–255, -1	Byte to send. Use '-1' for a (pseudo-)random pattern.	Mode	0, 1	Enable or disable pattern test mode.			
Name	Range	Description												
Pattern	0–255, -1	Byte to send. Use '-1' for a (pseudo-)random pattern.												
Mode	0, 1	Enable or disable pattern test mode.												
AT\$T?	Get Temperature	Measure internal temperature and return it in 1/10 <sup>th</sup> of a degree Celsius.												
AT\$V?	Get Voltages	Return current voltage and voltage measured during the last transmission in mV.												

# AX-SIGFOX

**Table 10. COMMANDS**

Command	Name	Description																						
AT\$I=uint	Information	<p>Display various product information:</p> <p>0: Software Name &amp; Version Example Response: AX-Sigfox 1.0.6-ETSI</p> <p>1: Contact Details Example Response: support@axsem.com</p> <p>2: Silicon revision lower byte Example Response: 8F</p> <p>3: Silicon revision upper byte Example Response: 00</p> <p>4: Major Firmware Version Example Response: 1</p> <p>5: Minor Firmware Version Example Response: 0</p> <p>6: Firmware Revision Example Response: 3</p> <p>7: Firmware Variant (Frequency Band etc. (EU/US)) Example Response: ETSI</p> <p>8: Firmware VCS Version Example Response: v1.0.2-36</p> <p>9: SIGFOX Library Version Example Response: DL0-1.4</p> <p>10: Device ID Example Response: 00012345</p> <p>11: PAC Example Response: 0123456789ABCDEF</p>																						
AT\$P=uint	Set Power Mode	<p>To conserve power, the AX-Sigfox can be put to sleep manually. Depending on power mode, you will be responsible for waking up the AX-Sigfox again!</p> <p>0: software reset (settings will be reset to values in flash)</p> <p>1: sleep (send a break to wake up)</p> <p>2: deep sleep (toggle GPIO9 or RESET_N pin to wake up; the AX-Sigfox is not running and all settings will be reset!)</p>																						
AT\$WR	Save Config	<p>Write all settings to flash (RX/TX frequencies, registers) so they survive reset/deep sleep or loss of power.</p> <p>Use AT\$P=0 to reset the AX-Sigfox and load settings from flash.</p>																						
AT:Pn?	Get GPIO Pin	<p>Return the setting of the GPIO Pin <i>n</i>; <i>n</i> can range from 0 to 9. A character string is returned describing the mode of the pin, followed by the actual value. If the pin is configured as analog pin, then the voltage (range 0...1 V) is returned. The mode characters have the following meaning:</p> <table border="1" style="width: 100%; border-collapse: collapse;"> <thead> <tr> <th style="text-align: left;">Mode</th> <th style="text-align: left;">Description</th> </tr> </thead> <tbody> <tr> <td>0</td> <td>Pin drives low</td> </tr> <tr> <td>1</td> <td>Pin drives high</td> </tr> <tr> <td>Z</td> <td>Pin is high impedance input</td> </tr> <tr> <td>U</td> <td>Pin is input with pull-up</td> </tr> <tr> <td>A</td> <td>Pin is analog input (GPIO pin 0...3 only)</td> </tr> <tr> <td>T</td> <td>Pin is driven by clock or DAC (GPIO pin 0 and 4 only)</td> </tr> </tbody> </table> <p>The default mode after exiting reset is U on all GPIO pins.</p>	Mode	Description	0	Pin drives low	1	Pin drives high	Z	Pin is high impedance input	U	Pin is input with pull-up	A	Pin is analog input (GPIO pin 0...3 only)	T	Pin is driven by clock or DAC (GPIO pin 0 and 4 only)								
Mode	Description																							
0	Pin drives low																							
1	Pin drives high																							
Z	Pin is high impedance input																							
U	Pin is input with pull-up																							
A	Pin is analog input (GPIO pin 0...3 only)																							
T	Pin is driven by clock or DAC (GPIO pin 0 and 4 only)																							
AT:Pn=?	Get GPIO Pin Range	<p>Print a list of possible modes for a pin. The table below lists the response.</p> <table border="1" style="width: 100%; border-collapse: collapse;"> <thead> <tr> <th style="text-align: left;">Pin</th> <th style="text-align: left;">Modes</th> </tr> </thead> <tbody> <tr> <td>P0</td> <td>0, 1, Z, U, A, T</td> </tr> <tr> <td>P1</td> <td>0, 1, Z, U, A</td> </tr> <tr> <td>P2</td> <td>0, 1, Z, U, A</td> </tr> <tr> <td>P3</td> <td>0, 1, Z, U, A</td> </tr> <tr> <td>P4</td> <td>0, 1, Z, U, T</td> </tr> <tr> <td>P5</td> <td>0, 1, Z, U</td> </tr> <tr> <td>P6</td> <td>0, 1, Z, U</td> </tr> <tr> <td>P7</td> <td>0, 1, Z, U</td> </tr> <tr> <td>P8</td> <td>0, 1, Z, U</td> </tr> <tr> <td>P9</td> <td>0, 1, Z, U</td> </tr> </tbody> </table>	Pin	Modes	P0	0, 1, Z, U, A, T	P1	0, 1, Z, U, A	P2	0, 1, Z, U, A	P3	0, 1, Z, U, A	P4	0, 1, Z, U, T	P5	0, 1, Z, U	P6	0, 1, Z, U	P7	0, 1, Z, U	P8	0, 1, Z, U	P9	0, 1, Z, U
Pin	Modes																							
P0	0, 1, Z, U, A, T																							
P1	0, 1, Z, U, A																							
P2	0, 1, Z, U, A																							
P3	0, 1, Z, U, A																							
P4	0, 1, Z, U, T																							
P5	0, 1, Z, U																							
P6	0, 1, Z, U																							
P7	0, 1, Z, U																							
P8	0, 1, Z, U																							
P9	0, 1, Z, U																							
AT:Pn=mode	Set GPIO Pin	<p>Set the GPIO pin mode.</p> <p>For a list of the modes see the command AT:Pn?</p>																						

# AX-SIGFOX

**Table 10. COMMANDS**

Command	Name	Description															
AT:ADC Pn[-Pn[(1V 10V)]]?	Get GPIO Pin Analog Voltage	Measure the voltage applied to a GPIO pin. The command also allows measurement of the voltage difference across two GPIO pins. In differential mode, the full scale range may also be specified as 1 V or 10 V. Note however that the pin input voltages must not exceed the range 0..VDD <sub>IO</sub> . The command returns the result as fraction of the full scale range (1 V if none is specified). The GPIO pins referenced should be initialized to analog mode before issuing this command.															
AT:SPI[(A B C D)]=bytes	SPI Transaction	<p>This command clocks out <i>bytes</i> on the SPI port. The clock frequency is 312.5 kHz. The command returns the bytes read on MISO during output. Optionally the clocking mode may be specified (default is A):</p> <table border="1"> <thead> <tr> <th>Mode</th> <th>Clock Inversion</th> <th>Clock Phase</th> </tr> </thead> <tbody> <tr> <td>A</td> <td>normal</td> <td>normal</td> </tr> <tr> <td>B</td> <td>normal</td> <td>alternate</td> </tr> <tr> <td>C</td> <td>inverted</td> <td>normal</td> </tr> <tr> <td>D</td> <td>inverted</td> <td>alternate</td> </tr> </tbody> </table> <p>Note that SEL, if needed, is not generated by this command, and must instead be driven using standard GPIO commands (AT:Pn=0 1).</p>	Mode	Clock Inversion	Clock Phase	A	normal	normal	B	normal	alternate	C	inverted	normal	D	inverted	alternate
Mode	Clock Inversion	Clock Phase															
A	normal	normal															
B	normal	alternate															
C	inverted	normal															
D	inverted	alternate															
AT:CLK=freq,refreq	Set Clock Generator	Output a square wave on the pin(s) set to T mode. The frequency of the square wave is $(\text{freq} / 2^{16}) \times \text{refreq}$ . Possible values for refreq are 20000000, 10000000, 5000000, 2500000, 1250000, 625000, 312500, 156250. Possible values if freq are 0...65535.															
AT:CLK=OFF	Turn off Clock Generator	Switch off the clock generator															
AT:CLK?	Get Clock Generator	Return the settings of the clock generator. Two numbers are returned, freq and refreq.															
AT:DAC=value	Set $\Sigma\Delta$ DAC	Output a $\Sigma\Delta$ DAC value on the pin(s) set to T mode. Parameter value may be in the range -32768...32767. The average output voltage is $(1/2 + \text{value} / 2^{17}) \times \text{VDD}$ . An external low pass filter is needed to get smooth output voltages. The modulation frequency is 20 MHz. A possible low pass filter choice is a simple RC low pass filter with R = 10 k $\Omega$ and C = 1 $\mu\text{F}$ .															
AT:DAC=OFF	Turn off $\Sigma\Delta$ DAC	Switch off the DAC															
AT:DAC?	Get $\Sigma\Delta$ DAC	Return the DAC value															

**Table 11. REGISTERS**

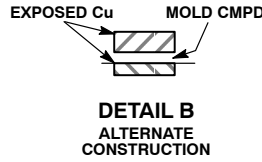
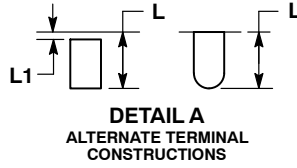
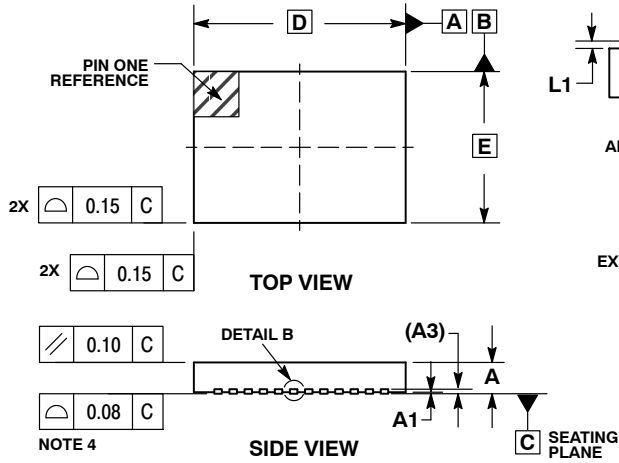
Number	Name	Description	Default	Range	Units
300	Out Of Band Period	AX-Sigfox sends periodic static messages to indicate that they are alive. Set to 0 to disable.	24	0-24	hours
302	Power Level	The output power of the radio.	14	0-14	dBm



# AX-SIGFOX

## QFN40 PACKAGE INFORMATION

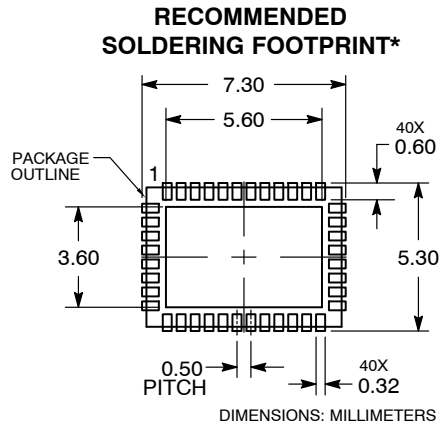
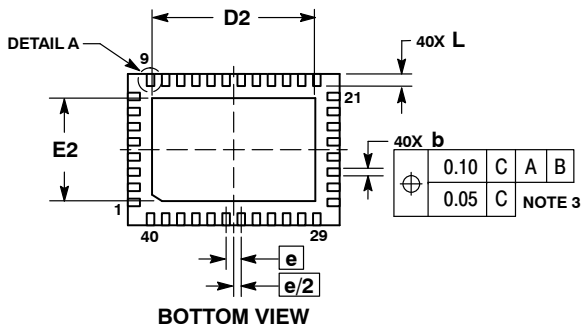
QFN40 7x5, 0.5P  
CASE 485EG  
ISSUE A



**NOTES:**

1. DIMENSIONING AND TOLERANCING PER ASME Y14.5M, 1994.
2. CONTROLLING DIMENSIONS: MILLIMETERS.
3. DIMENSION b APPLIES TO PLATED TERMINAL AND IS MEASURED BETWEEN 0.25 AND 0.30mm FROM TERMINAL COPLANARITY APPLIES TO THE EXPOSED PAD AS WELL AS THE TERMINALS.

DIM	MILLIMETERS	
	MIN	MAX
A	0.80	1.00
A1	0.00	0.05
A3	0.20 REF	
b	0.18	0.30
D	7.00 BSC	
D2	5.30	5.50
E	5.00 BSC	
E2	3.30	3.50
e	0.50 BSC	
L	0.30	0.50
L1	---	0.15



\*For additional information on our Pb-Free strategy and soldering details, please download the ON Semiconductor Soldering and Mounting Techniques Reference Manual, SOLDERRM/D.



# AX-SIGFOX

## QFN40 Soldering Profile

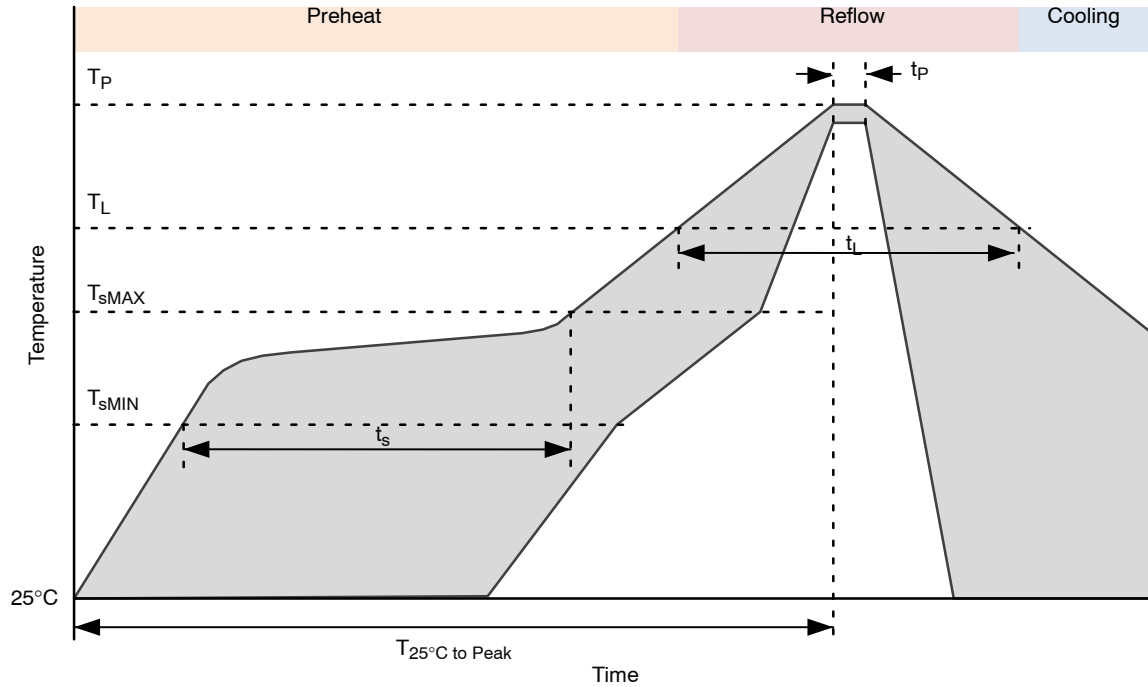


Figure 6. QFN40 Soldering Profile

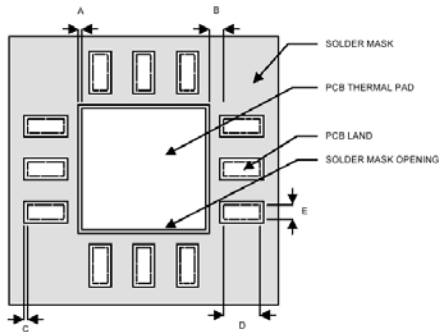
Table 12.

Profile Feature	Pb-Free Process
Average Ramp-Up Rate	3°C/s max.
Preheat Preheat	
Temperature Min	$T_{sMIN}$ 150°C
Temperature Max	$T_{sMAX}$ 200°C
Time ( $T_{sMIN}$ to $T_{sMAX}$ )	$t_s$ 60 – 180 sec
Time 25°C to Peak Temperature	$T_{25°C \text{ to Peak}}$ 8 min max.
Reflow Phase	
Liquidus Temperature	$T_L$ 217°C
Time over Liquidus Temperature	$t_L$ 60 – 150 s
Peak Temperature	$t_p$ 260°C
Time within 5°C of actual Peak Temperature	$T_p$ 20 – 40 s
Cooling Phase	
Ramp-down rate	6°C/s max.

1. All temperatures refer to the top side of the package, measured on the the package body surface.

## QFN40 Recommended Pad Layout

1. PCB land and solder masking recommendations are shown in Figure 7.



- A = Clearance from PCB thermal pad to solder mask opening, 0.0635 mm minimum
- B = Clearance from edge of PCB thermal pad to PCB land, 0.2 mm minimum
- C = Clearance from PCB land edge to solder mask opening to be as tight as possible to ensure that some solder mask remains between PCB pads.
- D = PCB land length = QFN solder pad length + 0.1 mm
- E = PCB land width = QFN solder pad width + 0.1 mm

**Figure 7. PCB Land and Solder Mask Recommendations**

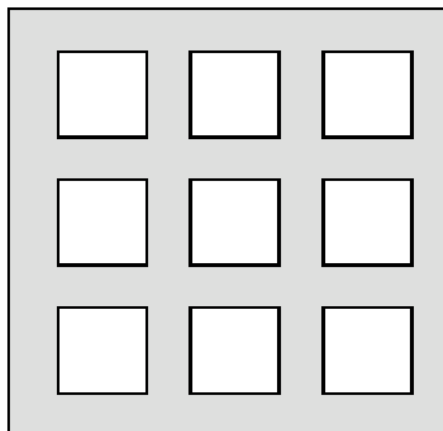
2. Thermal vias should be used on the PCB thermal pad (middle ground pad) to improve thermal conductivity from the device to a copper ground plane area on the reverse side of the printed circuit board. The number of vias depends on the package thermal requirements, as determined by thermal simulation or actual testing.
3. Increasing the number of vias through the printed circuit board will improve the thermal conductivity to the reverse side ground plane and external heat sink. In general, adding more metal through the PCB under the IC will improve operational heat transfer, but will require careful attention to uniform heating of the board during assembly.

### Assembly Process

#### Stencil Design & Solder Paste Application

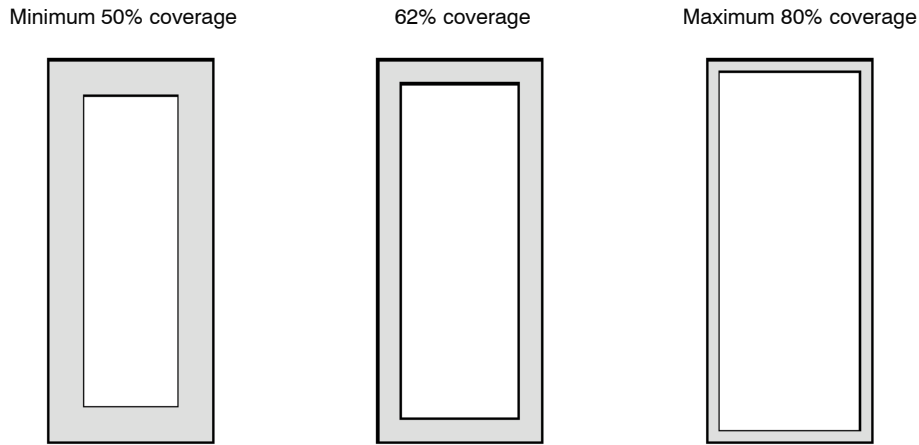
1. Stainless steel stencils are recommended for solder paste application.
2. A stencil thickness of 0.125 – 0.150 mm (5 – 6 mils) is recommended for screening.

3. For the PCB thermal pad, solder paste should be printed on the PCB by designing a stencil with an array of smaller openings that sum to 50% of the QFN exposed pad area. Solder paste should be applied through an array of squares (or circles) as shown in Figure 8.
4. The aperture opening for the signal pads should be between 50–80% of the QFN pad area as shown in Figure 9.
5. Optionally, for better solder paste release, the aperture walls should be trapezoidal and the corners rounded.
6. The fine pitch of the IC leads requires accurate alignment of the stencil and the printed circuit board. The stencil and printed circuit assembly should be aligned to within + 1 mil prior to application of the solder paste.
7. No-clean flux is recommended since flux from underneath the thermal pad will be difficult to clean if water-soluble flux is used.



**Figure 8. Solder Paste Application on Exposed Pad**

# AX-SIGFOX



**Figure 9. Solder Paste Application on Pins**

### Life Support Applications

This product is not designed for use in life support appliances, devices, or in systems where malfunction of this product can reasonably be expected to result in personal injury. ON Semiconductor customers using or selling this product for use in such applications do so at their own risk

and agree to fully indemnify ON Semiconductor for any damages resulting from such improper use or sale.

### Device Information


The following device information can be queried using the AT-Commands AT\$I=4, AT\$I=5, AT\$I=6 for the APP version and AT\$I=2, AT\$I=3 for the chip version.

**Table 13. DEVICE VERSIONS**

Product	Part Number	APP Version		Chip Version	
		[0]	[1]	[0]	[1]
AX-SIGFOX	AX-SFEU-1-01-XXXX <sup>1</sup>	0x01	0x00	0x8F	0x51

1. TB05 for Reel 500, TX30 for Reel 3000 reel

Sigfox and Sigfox Ready are registered trademarks of Sigfox SARL.

ON Semiconductor and the  are registered trademarks of Semiconductor Components Industries, LLC (SCILLC) or its subsidiaries in the United States and/or other countries. SCILLC owns the rights to a number of patents, trademarks, copyrights, trade secrets, and other intellectual property. A listing of SCILLC's product/patent coverage may be accessed at [www.onsemi.com/site/pdf/Patent-Marking.pdf](http://www.onsemi.com/site/pdf/Patent-Marking.pdf). SCILLC reserves the right to make changes without further notice to any products herein. SCILLC makes no warranty, representation or guarantee regarding the suitability of its products for any particular purpose, nor does SCILLC assume any liability arising out of the application or use of any product or circuit, and specifically disclaims any and all liability, including without limitation special, consequential or incidental damages. "Typical" parameters which may be provided in SCILLC data sheets and/or specifications can and do vary in different applications and actual performance may vary over time. All operating parameters, including "Typicals" must be validated for each customer application by customer's technical experts. SCILLC does not convey any license under its patent rights nor the rights of others. SCILLC products are not designed, intended, or authorized for use as components in systems intended for surgical implant into the body, or other applications intended to support or sustain life, or for any other application in which the failure of the SCILLC product could create a situation where personal injury or death may occur. Should Buyer purchase or use SCILLC products for any such unintended or unauthorized application, Buyer shall indemnify and hold SCILLC and its officers, employees, subsidiaries, affiliates, and distributors harmless against all claims, costs, damages, and expenses, and reasonable attorney fees arising out of, directly or indirectly, any claim of personal injury or death associated with such unintended or unauthorized use, even if such claim alleges that SCILLC was negligent regarding the design or manufacture of the part. SCILLC is an Equal Opportunity/Affirmative Action Employer. This literature is subject to all applicable copyright laws and is not for resale in any manner.

### PUBLICATION ORDERING INFORMATION

**LITERATURE FULFILLMENT:**  
Literature Distribution Center for ON Semiconductor  
19521 E. 32nd Pkwy, Aurora, Colorado 80011 USA  
**Phone:** 303-675-2175 or 800-344-3860 Toll Free USA/Canada  
**Fax:** 303-675-2176 or 800-344-3867 Toll Free USA/Canada  
**Email:** [orderlit@onsemi.com](mailto:orderlit@onsemi.com)

**N. American Technical Support:** 800-282-9855 Toll Free  
USA/Canada  
**Europe, Middle East and Africa Technical Support:**  
Phone: 421 33 790 2910  
**Japan Customer Focus Center**  
Phone: 81-3-5817-1050

**ON Semiconductor Website:** [www.onsemi.com](http://www.onsemi.com)  
**Order Literature:** <http://www.onsemi.com/orderlit>  
For additional information, please contact your local Sales Representative



## Стандарт Электрон Связь

Мы молодая и активно развивающаяся компания в области поставок электронных компонентов. Мы поставляем электронные компоненты отечественного и импортного производства напрямую от производителей и с крупнейших складов мира.

Благодаря сотрудничеству с мировыми поставщиками мы осуществляем комплексные и плановые поставки широчайшего спектра электронных компонентов.

Собственная эффективная логистика и склад в обеспечивает надежную поставку продукции в точно указанные сроки по всей России.

Мы осуществляем техническую поддержку нашим клиентам и предпродажную проверку качества продукции. На все поставляемые продукты мы предоставляем гарантию .

Осуществляем поставки продукции под контролем ВП МО РФ на предприятия военно-промышленного комплекса России , а также работаем в рамках 275 ФЗ с открытием отдельных счетов в уполномоченном банке. Система менеджмента качества компании соответствует требованиям ГОСТ ISO 9001.

Минимальные сроки поставки, гибкие цены, неограниченный ассортимент и индивидуальный подход к клиентам являются основой для выстраивания долгосрочного и эффективного сотрудничества с предприятиями радиоэлектронной промышленности, предприятиями ВПК и научно-исследовательскими институтами России.

С нами вы становитесь еще успешнее!

### Наши контакты:

**Телефон:** +7 812 627 14 35

**Электронная почта:** [sales@st-electron.ru](mailto:sales@st-electron.ru)

**Адрес:** 198099, Санкт-Петербург,  
Промышленная ул, дом № 19, литера Н,  
помещение 100-Н Офис 331