

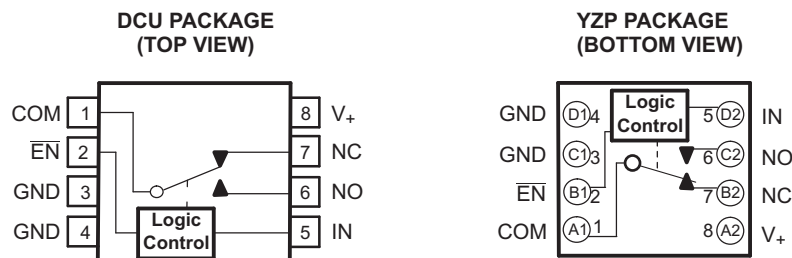
## 5-V/3.3-V SINGLE-CHANNEL 2:1 MULTIPLEXER/DEMULTIPLEXER

### FEATURES

- Isolation in the Powered-Off Mode,  $V_{+} = 0$
- Specified Break-Before-Make Switching
- Low ON-State Resistance ( $1\ \Omega$ )
- Control Inputs Are 5.5-V Tolerant
- Low Charge Injection
- Excellent ON-State Resistance Matching
- Low Total Harmonic Distortion (THD)
- 1.65-V to 5.5-V Single-Supply Operation
- Latch-Up Performance Exceeds 100 mA Per JESD 78, Class II
- ESD Performance Tested Per JESD 22
  - 2000-V Human-Body Model (A114-B, Class II)
  - 1000-V Charged-Device Model (C101)

### APPLICATIONS

- Cell Phones
- PDAs
- Portable Instrumentation
- Audio and Video Signal Routing
- Low-Voltage Data-Acquisition Systems
- Communication Circuits
- Modems
- Hard Drives
- Computer Peripherals
- Wireless Terminals and Peripherals



### DESCRIPTION/ORDERING INFORMATION

The TS5A3153 is a single-pole double-throw (SPDT) analog switch that is designed to operate from 1.65 V to 5.5 V. The device offers a low ON-state resistance and an excellent on-resistance matching with the break-before-make feature, to prevent signal distortion during the transferring of a signal from one channel to another. The device has an excellent total harmonic distortion (THD) performance and consumes very low power. These features make this device suitable for portable audio applications.

#### ORDERING INFORMATION

$T_A$	PACKAGE <sup>(1)(2)</sup>		ORDERABLE PART NUMBER	TOP-SIDE MARKING <sup>(3)</sup>
–40°C to 85°C	NanoStar™ – WCSP (DSBGA) 0.23-mm Large Bump – YZP (Pb-free)	Reel of 3000	TS5A3153YZPR	___J57
	SSOP – DCU	Reel of 3000	TS5A3153DCUR	JCD_

- (1) Package drawings, thermal data, and symbolization are available at [www.ti.com/packaging](http://www.ti.com/packaging).
- (2) For the most current package and ordering information, see the Package Option Addendum at the end of this document, or see the TI website at [www.ti.com](http://www.ti.com).
- (3) DCU: The actual top-side marking has one additional character that designates the assembly/test site.  
YZP: The actual top-side marking has three preceding characters to denote year, month, and sequence code, and one following character to designate the assembly/test site. Pin 1 identifier indicates solder-bump composition (1 = SnPb, • = Pb-free).



Please be aware that an important notice concerning availability, standard warranty, and use in critical applications of Texas Instruments semiconductor products and disclaimers thereto appears at the end of this data sheet.

NanoStar is a trademark of Texas Instruments.

## FUNCTION TABLE

$\overline{\text{EN}}$	IN	NC TO COM, COM TO NC	NO TO COM, COM TO NO
L	L	ON	OFF
L	H	OFF	ON
H	X	OFF	OFF

Summary of Characteristics<sup>(1)</sup>

Configuration	Single-Pole, Double-Throw 2:1 Multiplexer/Demultiplexer (SPDT)
Number of channels	1
ON-state resistance ( $r_{on}$ )	1.1 $\Omega$
ON-state resistance match ( $\Delta r_{on}$ )	0.1 $\Omega$
ON-state resistance flatness ( $r_{on(flat)}$ )	0.15 $\Omega$
Turn-on/turn-off time ( $t_{ON}/t_{OFF}$ )	20 ns/15 ns
Make-before-break time ( $t_{MKB}$ )	12 ns
Charge injection ( $Q_C$ )	36 pC
Bandwidth (BW)	100 MHz
OFF isolation ( $O_{ISO}$ )	–65 dB at 1 MHz
Crosstalk ( $X_{TALK}$ )	–68 dB at 1 MHz
Total harmonic distortion (THD)	0.01%
Leakage current ( $I_{COM(OFF)}/I_{NC(OFF)}$ )	$\pm 20$ nA
Power-supply current ( $I_+$ )	0.1 $\mu\text{A}$
Package option	8-pin SSOP or DSBGA

(1)  $V_+ = 5$  V,  $T_A = 25^\circ\text{C}$

**ABSOLUTE MINIMUM AND MAXIMUM RATINGS<sup>(1)(2)</sup>**

over operating free-air temperature range (unless otherwise noted)

			<b>MIN</b>	<b>MAX</b>	<b>UNIT</b>
$V_+$	Supply voltage range <sup>(3)</sup>		–0.5	6.5	V
$V_{NC}$ , $V_{NO}$ , $V_{COM}$	Analog voltage range <sup>(3)(4)(5)</sup>		–0.5	$V_+ + 0.5$	V
$I_K$	Analog port diode current	$V_{NC}, V_{NO}, V_{COM} < 0$ or $V_{NO}, V_{NC}, V_{COM} > V_+$	–50		mA
$I_{NC}$ , $I_{COM}$ , $I_{NO}$	On-state switch current	$V_{NC}, V_{NO}, V_{COM} = 0$ to $V_+$	–200	200	mA
	On-state peak switch current <sup>(6)</sup>		–400	400	
$V_I$	Digital input voltage range <sup>(3)(4)</sup>		–0.5	6.5	V
$I_{IK}$	Digital input clamp current	$V_I < 0$	–50		mA
$I_+$	Continuous current through $V_+$			100	mA
$I_{GND}$	Continuous current through GND		–100	100	mA
$\theta_{JA}$	Package thermal impedance <sup>(7)</sup>	DCU package		227	°C/W
		YZP package		102	
$T_{stg}$	Storage temperature range		–65	150	°C

- (1) Stresses above these ratings may cause permanent damage. Exposure to absolute maximum conditions for extended periods may degrade device reliability. These are stress ratings only, and functional operation of the device at these or any other conditions beyond those specified is not implied.
- (2) The algebraic convention, whereby the most negative value is a minimum and the most positive value is a maximum
- (3) All voltages are with respect to ground, unless otherwise specified.
- (4) The input and output voltage ratings may be exceeded if the input and output clamp-current ratings are observed.
- (5) This value is limited to 5.5 V maximum.
- (6) Pulse at 1-ms duration < 10% duty cycle.
- (7) The package thermal impedance is calculated in accordance with JESD 51-7.

**ELECTRICAL CHARACTERISTICS FOR 5-V SUPPLY<sup>(1)</sup>**

V<sub>+</sub> = 4.5 V to 5.5 V, T<sub>A</sub> = –40°C to 85°C (unless otherwise noted)

PARAMETER	SYMBOL	TEST CONDITIONS	T <sub>A</sub>	V <sub>+</sub>	MIN	TYP	MAX	UNIT		
<b>Analog Switch</b>										
Analog signal range	V <sub>COM</sub> , V <sub>NO</sub> , V <sub>NC</sub>				0		V <sub>+</sub>	V		
Peak ON resistance	r <sub>peak</sub>	0 ≤ (V <sub>NO</sub> or V <sub>NC</sub> ) ≤ V <sub>+</sub> , I <sub>COM</sub> = –100 mA,	Switch ON, See Figure 13	25°C	4.5 V	0.9	1.1	Ω		
				Full					1.3	
ON-state resistance	r <sub>on</sub>	V <sub>NO</sub> or V <sub>NC</sub> = 2.5 V, I <sub>COM</sub> = –100 mA,	Switch ON, See Figure 13	25°C	4.5 V	0.8	0.9	Ω		
				Full					1.1	
ON-state resistance matching between channels	Δr <sub>on</sub>	V <sub>NO</sub> or V <sub>NC</sub> = 2.5 V, I <sub>COM</sub> = –100 mA,	Switch ON, See Figure 13	25°C	4.5 V	0.05	0.1	Ω		
				Full					0.1	
ON-state resistance flatness	r <sub>on(flat)</sub>	0 ≤ (V <sub>NO</sub> or V <sub>NC</sub> ) ≤ V <sub>+</sub> , I <sub>COM</sub> = –100 mA,	Switch ON, See Figure 13	25°C	4.5 V	0.15		Ω		
				Full						
				25°C					0.09	0.15
				Full					0.15	
NC, NO OFF leakage current	I <sub>NC(OFF)</sub> , I <sub>NO(OFF)</sub>	V <sub>NC</sub> or V <sub>NO</sub> = 1 V, V <sub>COM</sub> = 4.5 V, or V <sub>NC</sub> or V <sub>NO</sub> = 4.5 V, V <sub>COM</sub> = 1 V,	Switch OFF, See Figure 14	25°C	5.5 V	–20	2	20		
				Full					–150	150
	I <sub>NC(PWROFF)</sub> , I <sub>NO(PWROFF)</sub>	V <sub>NC</sub> or V <sub>NO</sub> = 0 to 5.5 V, V <sub>COM</sub> = 5.5 V to 0,	Switch OFF, See Figure 14	25°C	0 V	–5	0.7	5		
				Full					–25	25
NC, NO ON leakage current	I <sub>NC(ON)</sub> , I <sub>NO(ON)</sub>	V <sub>NC</sub> or V <sub>NO</sub> = 1 V, V <sub>COM</sub> = Open, or V <sub>NC</sub> or V <sub>NO</sub> = 4.5 V, V <sub>COM</sub> = Open,	Switch ON, See Figure 15	25°C	5.5 V	–20	2	20		
				Full					–150	150
COM OFF leakage current	I <sub>COM(OFF)</sub>	V <sub>COM</sub> = 1 V, V <sub>NC</sub> or V <sub>NO</sub> = 4.5 V, or V <sub>COM</sub> = 4.5 V, V <sub>NC</sub> or V <sub>NO</sub> = 1 V,	Switch OFF, See Figure 14	25°C	5.5 V	–20	2	20		
				Full					–150	150
	I <sub>COM(PWROFF)</sub>	V <sub>NC</sub> or V <sub>NO</sub> = 0 to 5.5 V, V <sub>COM</sub> = 5.5 V to 0,	Switch OFF, See Figure 14	25°C	0 V	–5	0.7	5		
				Full					–25	25
COM ON leakage current	I <sub>COM(ON)</sub>	V <sub>COM</sub> = 1 V, V <sub>NC</sub> or V <sub>NO</sub> = Open, or V <sub>COM</sub> = 4.5 V, V <sub>NC</sub> or V <sub>NO</sub> = Open,	Switch ON, See Figure 15	25°C	5.5 V	–20	2	20		
				Full					–150	150
<b>Digital Control Inputs (IN, EN)<sup>(2)</sup></b>										
Input logic high	V <sub>IH</sub>		Full		2.4		5.5	V		
Input logic low	V <sub>IL</sub>		Full		0		0.8	V		
Input leakage current	I <sub>IH</sub> , I <sub>IL</sub>	V <sub>I</sub> = 5.5 V or 0 V	25°C	5.5 V	–100	25	100	nA		
			Full						–100	100

(1) The algebraic convention, whereby the most negative value is a minimum and the most positive value is a maximum.  
 (2) All unused digital inputs of the device must be held at V<sub>+</sub> or GND to ensure proper device operation. Refer to the TI application report, *Implications of Slow or Floating CMOS Inputs*, literature number SCBA004.

**ELECTRICAL CHARACTERISTICS FOR 5-V SUPPLY (continued)**
 $V_+ = 4.5\text{ V to }5.5\text{ V}$ ,  $T_A = -40^\circ\text{C to }85^\circ\text{C}$  (unless otherwise noted)

PARAMETER	SYMBOL	TEST CONDITIONS	$T_A$	$V_+$	MIN	TYP	MAX	UNIT	
<b>Dynamic</b>									
Turn-on time	$t_{ON}$	$V_{COM} = V_+$ , $R_L = 50\ \Omega$ ,	$C_L = 35\text{ pF}$ , See <a href="#">Figure 17</a>	25°C	5 V	1	12.5	16	ns
				Full	4.5 V to 5.5 V	1		17.5	
Turn-off time	$t_{OFF}$	$V_{COM} = V_+$ , $R_L = 50\ \Omega$ ,	$C_L = 35\text{ pF}$ , See <a href="#">Figure 17</a>	25°C	5 V	2.5	8.5	15	ns
				Full	4.5 V to 5.5 V	2		18	
Break-before-make time	$t_{MBB}$	$V_{COM} = V_+$ , $R_L = 50\ \Omega$ ,	$C_L = 35\text{ pF}$ , See <a href="#">Figure 18</a>	25°C	5 V	1	7	12	ns
				Full	4.5 V to 5.5 V	0.5		15	
Charge injection	$Q_C$	$V_{GEN} = 0$ , $R_{GEN} = 0$ ,	$C_L = 1\text{ nF}$ , See <a href="#">Figure 22</a>	25°C	5 V		12	pC	
NC, NO OFF capacitance	$C_{NC(OFF)}$ , $C_{NO(OFF)}$	$V_{NC}$ or $V_{NO} = V_+$ or GND,	Switch OFF, See <a href="#">Figure 16</a>	25°C	5 V		19	pF	
NC, NO ON capacitance	$C_{NC(ON)}$ , $C_{NO(ON)}$	$V_{NC}$ or $V_{NO} = V_+$ or GND,	Switch ON, See <a href="#">Figure 16</a>	25°C	5 V		57	pF	
COM OFF capacitance	$C_{COM(OFF)}$	$V_{COM} = V_+$ or GND,	Switch ON, See <a href="#">Figure 16</a>	25°C	5 V		36	pF	
COM ON capacitance	$C_{COM(ON)}$	$V_{COM} = V_+$ or GND,	Switch ON, See <a href="#">Figure 16</a>	25°C	5 V		57	pF	
Digital input capacitance	$C_I$	$V_I = V_+$ or GND,	See <a href="#">Figure 16</a>	25°C	5 V		2	pF	
Bandwidth	BW	$R_L = 50\ \Omega$ ,	Switch ON, See <a href="#">Figure 19</a>	25°C	5 V		97	MHz	
OFF isolation	$O_{ISO}$	$R_L = 50\ \Omega$ , $f = 1\text{ MHz}$ ,	Switch OFF, See <a href="#">Figure 20</a>	25°C	5 V		-64	dB	
Crosstalk	$X_{TALK}$	$R_L = 50\ \Omega$ , $f = 1\text{ MHz}$ ,	Switch ON, See <a href="#">Figure 21</a>	25°C	5 V		-64	dB	
Total harmonic distortion	THD	$R_L = 600\ \Omega$ , $C_L = 50\text{ pF}$ ,	$f = 20\text{ Hz to }20\text{ kHz}$ , See <a href="#">Figure 23</a>	25°C	5 V		0.004	%	
<b>Supply</b>									
Positive supply current	$I_+$	$V_I = V_+$ or GND,	Switch ON or OFF	25°C	5.5 V	0.02	0.1	$\mu\text{A}$	
				Full			0.5		

**ELECTRICAL CHARACTERISTICS FOR 3.3-V SUPPLY<sup>(1)</sup>**

V<sub>+</sub> = 3 V to 3.6 V, T<sub>A</sub> = –40°C to 85°C (unless otherwise noted)

PARAMETER	SYMBOL	TEST CONDITIONS	T <sub>A</sub>	V <sub>+</sub>	MIN	TYP	MAX	UNIT
<b>Analog Switch</b>								
Analog signal range	V <sub>COM</sub> , V <sub>NO</sub> , V <sub>NC</sub>				0		V <sub>+</sub>	V
Peak ON resistance	r <sub>peak</sub>	0 ≤ (V <sub>NO</sub> or V <sub>NC</sub> ) ≤ V <sub>+</sub> , I <sub>COM</sub> = –100 mA,	Switch ON, See Figure 13	25°C	3 V	1.3	1.6	Ω
				Full				
ON-state resistance	r <sub>on</sub>	V <sub>NO</sub> or V <sub>NC</sub> = 2 V, I <sub>COM</sub> = –100 mA,	Switch ON, See Figure 13	25°C	3 V	1.2	1.5	Ω
				Full				
ON-state resistance match between channels	Δr <sub>on</sub>	V <sub>NO</sub> or V <sub>NC</sub> = 2 V, 0.8 V I <sub>COM</sub> = –100 mA,	Switch ON, See Figure 13	25°C	3 V	0.08	0.15	Ω
				Full				
ON-state resistance flatness	r <sub>on(flat)</sub>	0 ≤ (V <sub>NO</sub> or V <sub>NC</sub> ) ≤ V <sub>+</sub> , I <sub>COM</sub> = –100 mA,	Switch ON, See Figure 13	25°C	3 V	0.2		Ω
				Full				
		25°C	0.09	0.15				
		Full						
NC, NO OFF leakage current	I <sub>NC(OFF)</sub> , I <sub>NO(OFF)</sub>	V <sub>NC</sub> or V <sub>NO</sub> = 1 V, V <sub>COM</sub> = 3 V, or V <sub>NC</sub> or V <sub>NO</sub> = 3 V, V <sub>COM</sub> = 1 V,	Switch OFF, See Figure 14	25°C	3.6 V	–20	2	20
				Full				
	I <sub>NC(PWROFF)</sub> , I <sub>NO(PWROFF)</sub>	V <sub>NC</sub> or V <sub>NO</sub> = 0 to 3.6 V, V <sub>COM</sub> = 3.6 V to 0 V,	Switch OFF, See Figure 14	25°C	0 V	–1	0.2	1
				Full				
NC, NO ON leakage current	I <sub>NC(ON)</sub> , I <sub>NO(ON)</sub>	V <sub>NC</sub> or V <sub>NO</sub> = 1 V, V <sub>COM</sub> = Open, or V <sub>NC</sub> or V <sub>NO</sub> = 3 V, V <sub>COM</sub> = Open,	Switch ON, See Figure 15	25°C	3.6 V	–20	2	20
				Full				
COM OFF leakage current	I <sub>COM(OFF)</sub>	V <sub>COM</sub> = 1 V, V <sub>NC</sub> or V <sub>NO</sub> = 3 V, or V <sub>COM</sub> = 3 V, V <sub>NC</sub> or V <sub>NO</sub> = 1 V,	Switch OFF, See Figure 14	25°C	3.6 V	–20	2	20
				Full				
	I <sub>COM(PWROFF)</sub>	V <sub>NC</sub> or V <sub>NO</sub> = 0 to 3.6 V, V <sub>COM</sub> = 3.6 V to 0 V,	Switch OFF, See Figure 14	25°C	0 V	–1	0.2	1
				Full				
COM ON leakage current	I <sub>COM(ON)</sub>	V <sub>COM</sub> = 1 V, V <sub>NC</sub> or V <sub>NO</sub> = Open, or V <sub>COM</sub> = 3 V, V <sub>NC</sub> or V <sub>NO</sub> = Open	Switch ON, See Figure 15	25°C	3.6 V	–20	2	20
				Full				
<b>Digital Control Inputs (IN, EN)<sup>(2)</sup></b>								
Input logic high	V <sub>IH</sub>		Full		2		5.5	V
Input logic low	V <sub>IL</sub>		Full		0		0.8	V
Input leakage current	I <sub>IH</sub> , I <sub>IL</sub>	V <sub>I</sub> = 5.5 V or 0	25°C	3.6 V	–100	25	100	nA
			Full					

- (1) The algebraic convention, whereby the most negative value is a minimum and the most positive value is a maximum.
- (2) All unused digital inputs of the device must be held at V<sub>+</sub> or GND to ensure proper device operation. Refer to the TI application report, *Implications of Slow or Floating CMOS Inputs*, literature number SCBA004.

**ELECTRICAL CHARACTERISTICS FOR 3.3-V SUPPLY (continued)**
 $V_+ = 3\text{ V to }3.6\text{ V}$ ,  $T_A = -40^\circ\text{C to }85^\circ\text{C}$  (unless otherwise noted)

PARAMETER	SYMBOL	TEST CONDITIONS	$T_A$	$V_+$	MIN	TYP	MAX	UNIT	
<b>Dynamic</b>									
Turn-on time	$t_{ON}$	$V_{COM} = V_+$ , $R_L = 50\ \Omega$ ,	$C_L = 35\text{ pF}$ , See <a href="#">Figure 17</a>	25°C	3.3 V	1	17	22	ns
				Full	3 V to 3.6 V	1		24	
Turn-off time	$t_{OFF}$	$V_{COM} = V_+$ , $R_L = 50\ \Omega$ ,	$C_L = 35\text{ pF}$ , See <a href="#">Figure 17</a>	25°C	3.3 V	4.3	9.5	16	ns
				Full	3 V to 3.6 V	4		19	
Break-before-make time	$t_{MBB}$	$V_{COM} = V_+$ , $R_L = 50\ \Omega$ ,	$C_L = 35\text{ pF}$ , See <a href="#">Figure 18</a>	25°C	3.3 V	2	12	22	ns
				Full	3 V to 3.6 V	1		25	
Charge injection	$Q_C$	$V_{GEN} = 0$ , $R_{GEN} = 0$ ,	$C_L = 1\text{ nF}$ , See <a href="#">Figure 22</a>	25°C	3.3 V		8	pC	
NC, NO OFF capacitance	$C_{NC(OFF)}$ , $C_{NO(OFF)}$	$V_{NC}$ or $V_{NO} = V_+$ or GND,	Switch OFF, See <a href="#">Figure 16</a>	25°C	3.3 V		19	pF	
NC, NO ON capacitance	$C_{NC(ON)}$ , $C_{NO(ON)}$	$V_{NC}$ or $V_{NO} = V_+$ or GND,	Switch ON, See <a href="#">Figure 16</a>	25°C	3.3 V		57	pF	
COM OFF capacitance	$C_{COM(OFF)}$	$V_{COM} = V_+$ or GND,	Switch ON, See	25°C	3.3 V		36	pF	
COM ON capacitance	$C_{COM(ON)}$	$V_{COM} = V_+$ or GND,	Switch ON, See <a href="#">Figure 16</a>	25°C	3.3 V		57	pF	
Digital input capacitance	$C_I$	$V_I = V_+$ or GND,	See <a href="#">Figure 16</a>	25°C	3.3 V		2	pF	
Bandwidth	BW	$R_L = 50\ \Omega$ ,	Switch ON, See <a href="#">Figure 19</a>	25°C	3.3 V		97	MHz	
OFF isolation	$O_{ISO}$	$R_L = 50\ \Omega$ , $f = 1\text{ MHz}$ ,	Switch OFF, See <a href="#">Figure 20</a>	25°C	3.3 V		-64	dB	
Crosstalk	$X_{TALK}$	$R_L = 50\ \Omega$ , $f = 1\text{ MHz}$ ,	Switch ON, See <a href="#">Figure 21</a>	25°C	3.3 V		-64	dB	
Total harmonic distortion	THD	$R_L = 600\ \Omega$ , $C_L = 50\text{ pF}$ ,	$f = 20\text{ Hz to }20\text{ kHz}$ , See <a href="#">Figure 23</a>	25°C	3.3 V		0.01	%	
<b>Supply</b>									
Positive supply current	$I_+$	$V_I = V_+$ or GND,	Switch ON or OFF	25°C	3.6 V	0.01	0.1	$\mu\text{A}$	
				Full			0.25		

**ELECTRICAL CHARACTERISTICS FOR 2.5-V SUPPLY<sup>(1)</sup>**

V<sub>+</sub> = 3 V to 3.6 V, T<sub>A</sub> = –40°C to 85°C (unless otherwise noted)

PARAMETER	SYMBOL	TEST CONDITIONS	T <sub>A</sub>	V <sub>+</sub>	MIN	TYP	MAX	UNIT			
<b>Analog Switch</b>											
Analog signal range	V <sub>COM</sub> , V <sub>NO</sub> , V <sub>NC</sub>				0		V <sub>+</sub>	V			
Peak ON resistance	r <sub>peak</sub>	0 ≤ (V <sub>NO</sub> or V <sub>NC</sub> ) ≤ V <sub>+</sub> , I <sub>COM</sub> = –8 mA,	Switch ON, See <a href="#">Figure 13</a>	25°C	2.3 V	1.9	2.5	Ω			
				Full					2.7		
ON-state resistance	r <sub>on</sub>	V <sub>NO</sub> or V <sub>NC</sub> = 1.8 V, I <sub>COM</sub> = –8 mA,	Switch ON, See <a href="#">Figure 13</a>	25°C	2.3 V	1.6	2.1	Ω			
				Full					2.5		
ON-state resistance matching between channels	Δr <sub>on</sub>	V <sub>NO</sub> or V <sub>NC</sub> = 1.8 V, I <sub>COM</sub> = –8 mA,	Switch ON, See <a href="#">Figure 13</a>	25°C	2.3 V	0.12	0.2	Ω			
				Full					0.2		
ON-state resistance flatness	r <sub>on(flat)</sub>	0 ≤ (V <sub>NO</sub> or V <sub>NC</sub> ) ≤ V <sub>+</sub> , I <sub>COM</sub> = –8 mA,	Switch ON, See <a href="#">Figure 13</a>	25°C	2.3 V	0.65		Ω			
				25°C					2.3 V	0.5	1
				Full							
NC, NO OFF leakage current	I <sub>NC(OFF)</sub> , I <sub>NO(OFF)</sub>	V <sub>NC</sub> or V <sub>NO</sub> = 0.5 V, V <sub>COM</sub> = 2.2 V, or V <sub>NC</sub> or V <sub>NO</sub> = 2.2 V, V <sub>COM</sub> = 0.5 V,	Switch OFF, See <a href="#">Figure 14</a>	25°C	2.7 V	–20	2	20			
				Full					–50	50	
	I <sub>NC(PWROFF)</sub> , I <sub>NO(PWROFF)</sub>	V <sub>NC</sub> or V <sub>NO</sub> = 0 to 2.7 V, V <sub>COM</sub> = 2.7 V to 0,	Switch OFF, See <a href="#">Figure 14</a>	25°C	0 V	–1	0.1	1			
				Full					–10	10	
NC, NO ON leakage current	I <sub>NC(ON)</sub> , I <sub>NO(ON)</sub>	V <sub>NC</sub> or V <sub>NO</sub> = 0.5 V, V <sub>COM</sub> = Open, or V <sub>NC</sub> or V <sub>NO</sub> = 2.2 V, V <sub>COM</sub> = Open,	Switch ON, See <a href="#">Figure 15</a>	25°C	2.7 V	–20		20			
				Full					–50	50	
COM OFF leakage current	I <sub>COM(OFF)</sub>	V <sub>COM</sub> = 0.5 V, V <sub>NC</sub> or V <sub>NO</sub> = 2.2 V, or V <sub>COM</sub> = 2.2 V, V <sub>NC</sub> or V <sub>NO</sub> = 0.5V,	Switch OFF, See <a href="#">Figure 14</a>	25°C	2.7 V	–20		20			
				Full					–50	50	
				25°C					0 V	–1	1
Full	–10	10									
COM ON leakage current	I <sub>COM(ON)</sub>	V <sub>COM</sub> = 0.5 V, V <sub>NC</sub> or V <sub>NO</sub> = Open, or V <sub>COM</sub> = 2.2 V, V <sub>NC</sub> or V <sub>NO</sub> = Open,	Switch ON, See <a href="#">Figure 15</a>	25°C	2.7 V	–20		20			
				Full					–50	50	
<b>Digital Control Inputs (IN, EN)<sup>(2)</sup></b>											
Input logic high	V <sub>IH</sub>		Full		1.8		5.5	V			
Input logic low	V <sub>IL</sub>		Full		0		0.6	V			
Input leakage current	I <sub>IH</sub> , I <sub>IL</sub>	V <sub>I</sub> = 5.5 V or 0	25°C	2.7 V	–100	25	100	nA			
			Full						–100	100	

(1) The algebraic convention, whereby the most negative value is a minimum and the most positive value is a maximum.  
 (2) All unused digital inputs of the device must be held at V<sub>+</sub> or GND to ensure proper device operation. Refer to the TI application report, *Implications of Slow or Floating CMOS Inputs*, literature number SCBA004.



**ELECTRICAL CHARACTERISTICS FOR 2.5-V SUPPLY (continued)**
 $V_+ = 3\text{ V to }3.6\text{ V}$ ,  $T_A = -40^\circ\text{C to }85^\circ\text{C}$  (unless otherwise noted)

PARAMETER	SYMBOL	TEST CONDITIONS	$T_A$	$V_+$	MIN	TYP	MAX	UNIT	
<b>Dynamic</b>									
Turn-on time	$t_{ON}$	$V_{COM} = V_+$ , $R_L = 50\ \Omega$ ,	$C_L = 35\text{ pF}$ , See <a href="#">Figure 17</a>	25°C	2.5 V	1.7	24	31	ns
				Full	2.3 V to 2.7 V	1.5		33.5	
Turn-off time	$t_{OFF}$	$V_{COM} = V_+$ , $R_L = 50\ \Omega$ ,	$C_L = 35\text{ pF}$ , See <a href="#">Figure 17</a>	25°C	2.5 V	5.2	10.5	17	ns
				Full	2.3 V to 2.7 V	5		20	
Break-before-make time	$t_{M\text{BB}}$	$V_{COM} = V_+$ , $R_L = 50\ \Omega$ ,	$C_L = 35\text{ pF}$ , See <a href="#">Figure 18</a>	25°C	2.5 V	3	10	30	ns
				Full	2.3 V to 2.7 V	2		40	
Charge injection	$Q_C$	$V_{GEN} = 0$ , $R_{GEN} = 0$ ,	$C_L = 1\text{ nF}$ , See <a href="#">Figure 22</a>	25°C	2.5 V		6	pC	
NC, NO OFF capacitance	$C_{NC(OFF)}$ , $C_{NO(OFF)}$	$V_{NC}$ or $V_{NO} = V_+$ or GND,	Switch OFF, See <a href="#">Figure 16</a>	25°C	2.5 V		19	pF	
NC, NO ON capacitance	$C_{NC(ON)}$ , $C_{NO(ON)}$	$V_{NC}$ or $V_{NO} = V_+$ or GND,	Switch ON, See <a href="#">Figure 16</a>	25°C	2.5 V		57	pF	
COM OFF capacitance	$C_{COM(OFF)}$	$V_{COM} = V_+$ or GND,	Switch ON, See <a href="#">Figure 16</a>	25°C	2.5 V		36	pF	
COM ON capacitance	$C_{COM(ON)}$	$V_{COM} = V_+$ or GND,	Switch ON, See <a href="#">Figure 16</a>	25°C	2.5 V		57	pF	
Digital input capacitance	$C_I$	$V_I = V_+$ or GND,	See <a href="#">Figure 16</a>	25°C	2.5 V		2	pF	
Bandwidth	BW	$R_L = 50\ \Omega$ ,	Switch ON, See <a href="#">Figure 19</a>	25°C	2.5 V		100	MHz	
OFF isolation	$O_{ISO}$	$R_L = 50\ \Omega$ , $f = 1\text{ MHz}$ ,	Switch OFF, See <a href="#">Figure 20</a>	25°C	2.5 V		-64	dB	
Crosstalk	$X_{TALK}$	$R_L = 50\ \Omega$ , $f = 1\text{ MHz}$ ,	Switch ON, See <a href="#">Figure 21</a>	25°C	2.5 V		-64	dB	
Total harmonic distortion	THD	$R_L = 600\ \Omega$ , $C_L = 50\text{ pF}$ ,	$f = 20\text{ Hz to }20\text{ kHz}$ , See <a href="#">Figure 23</a>	25°C	2.5 V		0.020	%	
<b>Supply</b>									
Positive supply current	$I_+$	$V_I = V_+$ or GND,	Switch ON or OFF	25°C	2.7 V	0.001	0.05	$\mu\text{A}$	
				Full			0.15		

**ELECTRICAL CHARACTERISTICS FOR 1.8-V SUPPLY<sup>(1)</sup>**
 $V_+ = 1.65\text{ V to }1.95\text{ V}$ ,  $T_A = -40^\circ\text{C to }85^\circ\text{C}$  (unless otherwise noted)

PARAMETER	SYMBOL	TEST CONDITIONS	$T_A$	$V_+$	MIN	TYP	MAX	UNIT
<b>Analog Switch</b>								
Analog signal range	$V_{COM}, V_{NO}, V_{NC}$				0		$V_+$	V
Peak ON resistance	$r_{peak}$	$0 \leq (V_{NO} \text{ or } V_{NC}) \leq V_+$ , $I_{COM} = -2\text{ mA}$ , Switch ON, See Figure 13	25°C Full	1.65 V		5.2	15 20	$\Omega$
ON-state resistance	$r_{on}$	$V_{NO} \text{ or } V_{NC} = 1.5\text{ V}$ , $I_{COM} = -2\text{ mA}$ , Switch ON, See Figure 13	25°C Full	1.65 V		2	2.7 3.1	$\Omega$
ON-state resistance matching between channels	$\Delta r_{on}$	$V_{NO} \text{ or } V_{NC} = 1.5\text{ V}$ , $I_{COM} = -2\text{ mA}$ , Switch ON, See Figure 13	25°C Full	1.65 V		0.16	0.3 0.3	$\Omega$
ON-state resistance flatness	$r_{on(flat)}$	$0 \leq (V_{NO} \text{ or } V_{NC}) \leq V_+$ , $I_{COM} = -2\text{ mA}$ , $V_{NO} \text{ or } V_{NC} = 0.6\text{ V}, 1.5\text{ V}$ , $I_{COM} = -2\text{ mA}$ , Switch ON, See Figure 13	25°C Full	1.65 V		3	3 6 8	$\Omega$
NC, NO OFF leakage current	$I_{NC(OFF)}, I_{NO(OFF)}$	$V_{NC} \text{ or } V_{NO} = 0.3\text{ V}$ , $V_{COM} = 1.65\text{ V}$ , or $V_{NC} \text{ or } V_{NO} = 1.65\text{ V}$ , $V_{COM} = 0.3\text{ V}$ , Switch OFF, See Figure 14	25°C	1.95 V	-20	1.5	20	nA
			Full		-50		50	
	$I_{NC(PWROFF)}, I_{NO(PWROFF)}$	$V_{NC} \text{ or } V_{NO} = 0 \text{ to } 1.95\text{ V}$ , $V_{COM} = 1.95\text{ V to } 0$ , Switch OFF, See Figure 14	25°C	0 V	-1	0.1	1	$\mu\text{A}$
			Full		-10		10	
NC, NO ON leakage current	$I_{NC(ON)}, I_{NO(ON)}$	$V_{NC} \text{ or } V_{NO} = 0.3\text{ V}$ , $V_{COM} = \text{Open}$ , or $V_{NC} \text{ or } V_{NO} = 1.65\text{ V}$ , $V_{COM} = \text{Open}$ , Switch ON, See Figure 15	25°C	1.95 V	-20	1.5	20	nA
			Full		-50		50	
COM OFF leakage current	$I_{COM(OFF)}$	$V_{NC} \text{ or } V_{NO} = 1.65\text{ V}$ , $V_{COM} = 0.3\text{ V}$ , or $V_{NC} \text{ or } V_{NO} = 0.3\text{ V}$ , $V_{COM} = 1.65\text{ V}$ , Switch OFF, See Figure 14	25°C	1.95 V	-20	1.5	20	nA
			Full		-50		50	
	$I_{COM(PWROFF)}$	$V_{NC} \text{ or } V_{NO} = 1.95\text{ V to } 0$ , $V_{COM} = 0 \text{ to } 1.95\text{ V}$ , Switch OFF, See Figure 14	25°C	0 V	-1	0.06	1	$\mu\text{A}$
			Full		-10		10	
COM ON leakage current	$I_{COM(ON)}$	$V_{NC} \text{ or } V_{NO} = \text{Open}$ , $V_{COM} = 0.3\text{ V}$ , or $V_{NC} \text{ or } V_{NO} = \text{Open}$ , $V_{COM} = 1.65\text{ V}$ , Switch ON, See Figure 15	25°C	1.95 V	-20	1.5	20	nA
			Full		-50		50	
<b>Digital Control Inputs (<math>I_N, \overline{EN}</math>)<sup>(2)</sup></b>								
Input logic high	$V_{IH}$		Full		1.5		5.6	V
Input logic low	$V_{IL}$		Full		0		0.6	V
Input leakage current	$I_{IH}, I_{IL}$	$V_I = 5.5\text{ V or } 0$	25°C	1.95 V	-100	25	100	nA
			Full		-100		100	

(1) The algebraic convention, whereby the most negative value is a minimum and the most positive value is a maximum

(2) All unused digital inputs of the device must be held at  $V_+$  or GND to ensure proper device operation. Refer to the TI application report, *Implications of Slow or Floating CMOS Inputs*, literature number SCBA004.

**ELECTRICAL CHARACTERISTICS FOR 1.8-V SUPPLY (continued)**
 $V_+ = 1.65\text{ V to }1.95\text{ V}$ ,  $T_A = -40^\circ\text{C to }85^\circ\text{C}$  (unless otherwise noted)

PARAMETER	SYMBOL	TEST CONDITIONS	$T_A$	$V_+$	MIN	TYP	MAX	UNIT	
<b>Dynamic</b>									
Turn-on time	$t_{ON}$	$V_{COM} = V_+$ , $R_L = 50\ \Omega$ ,	$C_L = 35\text{ pF}$ , See <a href="#">Figure 17</a>	25°C	5 V	4.5	45	61	ns
				Full	1.65 V to 1.95 V	4		63	
Turn-off time	$t_{OFF}$	$V_{COM} = V_+$ , $R_L = 50\ \Omega$ ,	$C_L = 35\text{ pF}$ , See <a href="#">Figure 17</a>	25°C	5 V	5.4	12	19	ns
				Full	1.65 V to 1.95 V	5		21	
Break-before-make time	$t_{BBM}$	$V_{COM} = V_+$ , $R_L = 50\ \Omega$ ,	$C_L = 35\text{ pF}$ , See <a href="#">Figure 18</a>	25°C	5 V	4	31	60	ns
				Full	1.65 V to 1.95 V	3		65	
Charge injection	$Q_C$	$V_{GEN} = 0$ , $R_{GEN} = 0$ ,	$C_L = 1\text{ nF}$ , See <a href="#">Figure 22</a>	25°C	1.8 V		4	pC	
NC, NO OFF capacitance	$C_{NC(OFF)}$ , $C_{NO(OFF)}$	$V_{NC}$ or $V_{NO} = V_+$ or GND,	Switch OFF, See <a href="#">Figure 16</a>	25°C	1.8 V		19	pF	
NC, NO ON capacitance	$C_{NC(ON)}$ , $C_{NO(ON)}$	$V_{NC}$ or $V_{NO} = V_+$ or GND,	Switch ON, See <a href="#">Figure 16</a>	25°C	1.8 V		57	pF	
COM OFF capacitance	$C_{COM(OFF)}$	$V_{COM} = V_+$ or GND,	Switch ON, See <a href="#">Figure 16</a>	25°C	1.8 V		36	pF	
COM ON capacitance	$C_{COM(ON)}$	$V_{COM} = V_+$ or GND,	Switch ON, See <a href="#">Figure 16</a>	25°C	1.8 V		57	pF	
Digital input capacitance	$C_I$	$V_I = V_+$ or GND,	See <a href="#">Figure 16</a>	25°C	1.8 V		2	pF	
Bandwidth	BW	$R_L = 50\ \Omega$ ,	Switch ON, See <a href="#">Figure 19</a>	25°C	1.8 V		100	MHz	
OFF isolation	$O_{ISO}$	$R_L = 50\ \Omega$ , $f = 1\text{ MHz}$ ,	Switch OFF, See <a href="#">Figure 20</a>	25°C	1.8 V		-64	dB	
Crosstalk	$X_{TALK}$	$R_L = 50\ \Omega$ , $f = 1\text{ MHz}$ ,	Switch ON, See <a href="#">Figure 21</a>	25°C	1.8 V		-64	dB	
Total harmonic distortion	THD	$R_L = 600\ \Omega$ , $C_L = 50\text{ pF}$ ,	$f = 20\text{ Hz to }20\text{ kHz}$ , See <a href="#">Figure 23</a>	25°C	1.8 V		0.060	%	
<b>Supply</b>									
Positive supply current	$I_+$	$V_I = V_+$ or GND,	Switch ON or OFF	25°C	1.95 V		0.001	0.05	$\mu\text{A}$
				Full				0.1	

TYPICAL PERFORMANCE

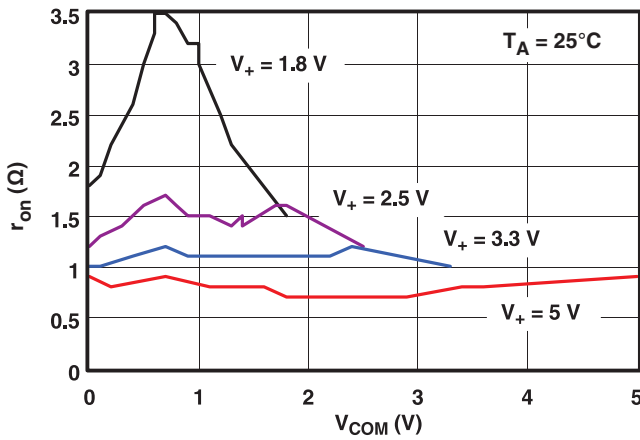


Figure 1.  $r_{on}$  vs  $V_{COM}$

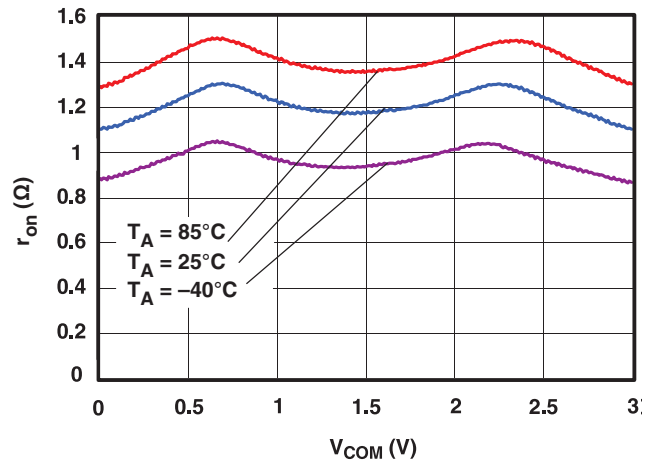


Figure 2.  $r_{on}$  vs  $V_{COM}$  ( $V_+ = 3$  V)

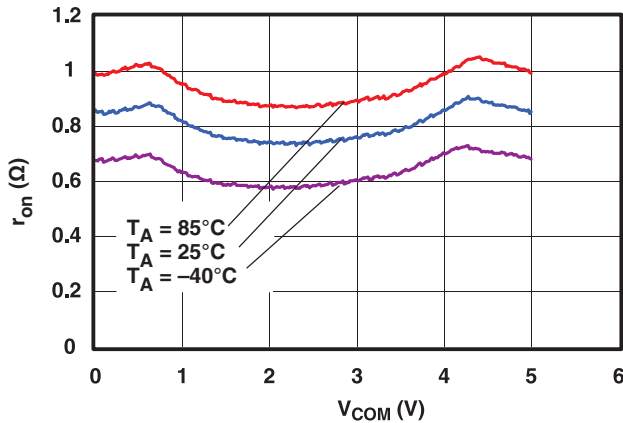


Figure 3.  $r_{on}$  vs  $V_{COM}$  ( $V_+ = 5$  V)

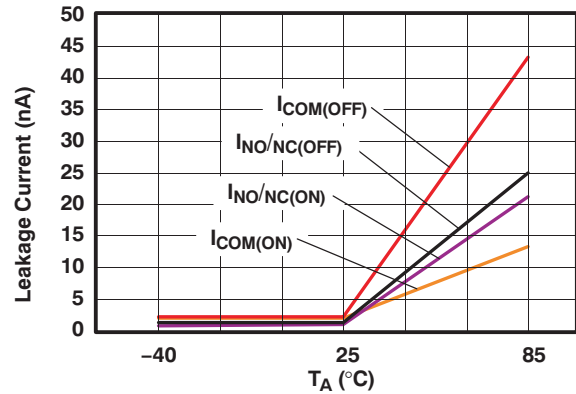


Figure 4. Leakage Current vs Temperature ( $V_+ = 5.5$  V)

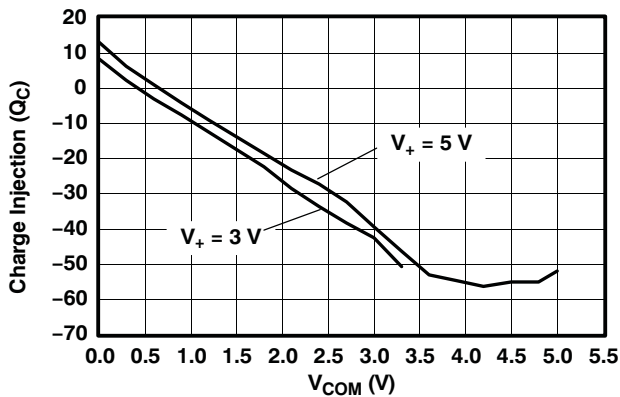


Figure 5. Charge Injection ( $Q_C$ ) vs  $V_{COM}$

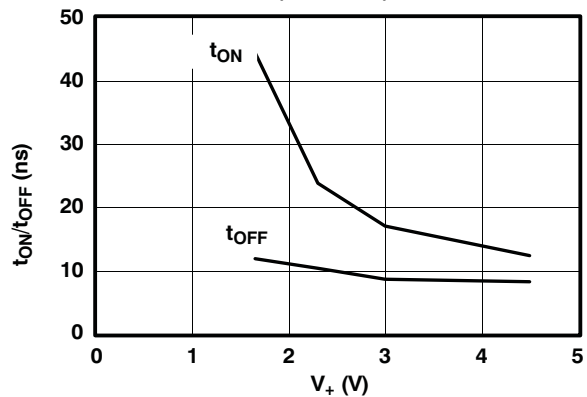


Figure 6.  $t_{ON}$  and  $t_{OFF}$  vs Supply Voltage

TYPICAL PERFORMANCE (continued)

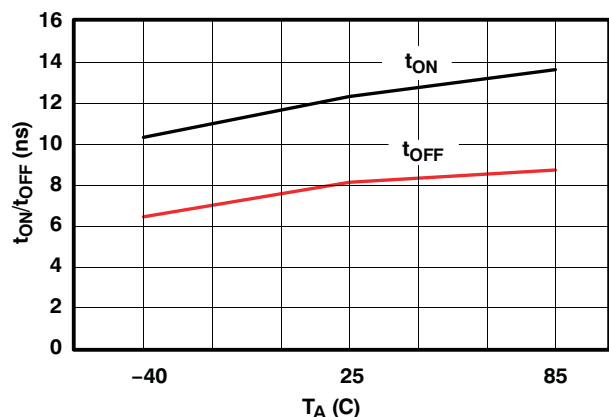


Figure 7.  $t_{ON}$  and  $t_{OFF}$  vs Temperature ( $V_+ = 5\text{ V}$ )

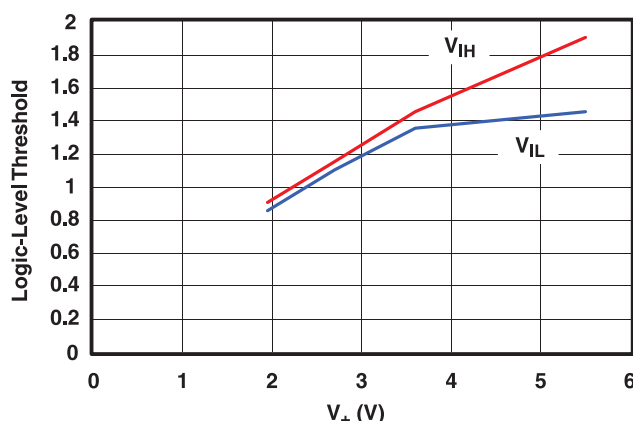


Figure 8. Logic-Level Threshold vs  $V_+$

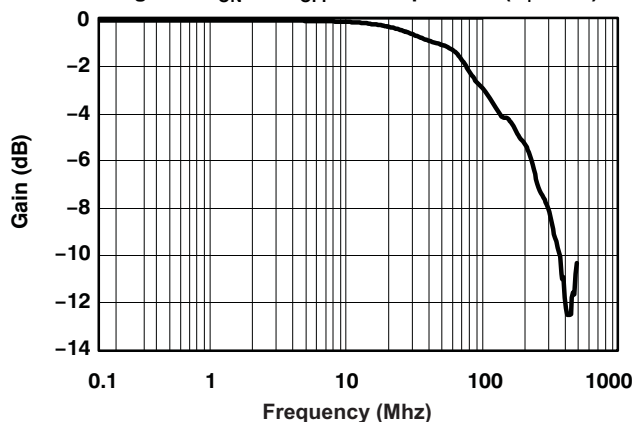


Figure 9. Bandwidth ( $V_+ = 5\text{ V}$ )

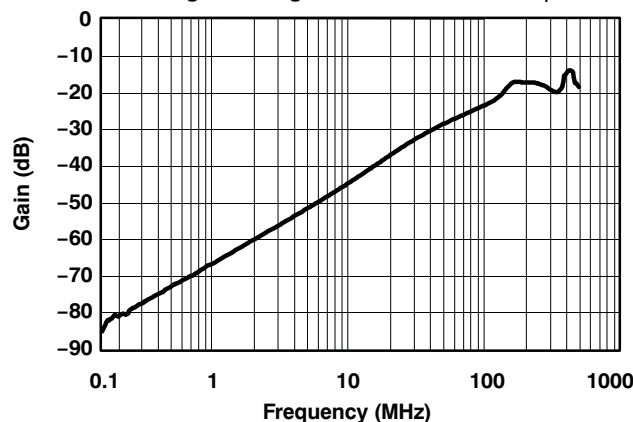


Figure 10. OFF Isolation and Crosstalk ( $V_+ = 5\text{ V}$ )

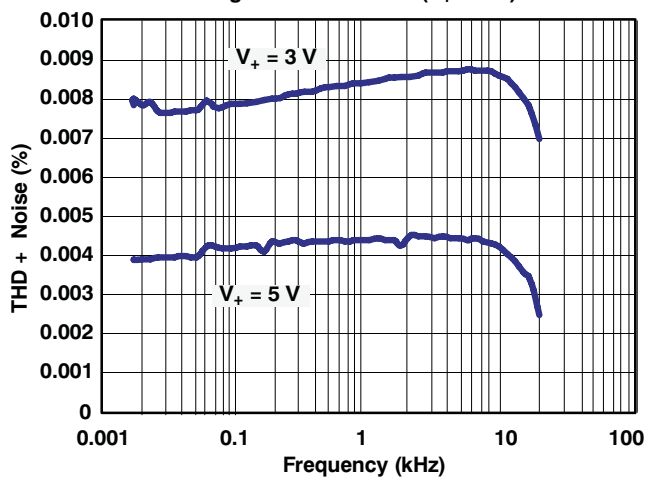


Figure 11. Total Harmonic Distortion (THD) vs Frequency

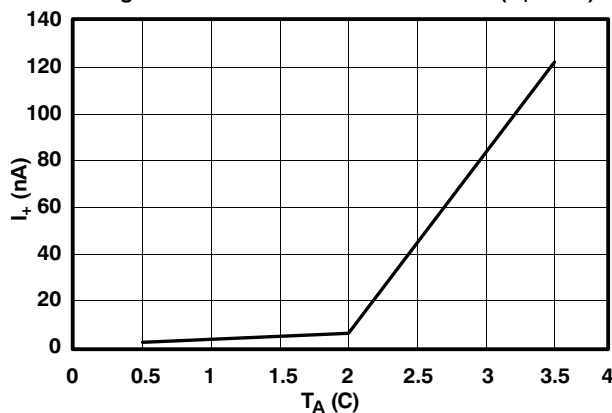


Figure 12. Power Supply Current vs Temperature ( $V_+ = 5\text{ V}$ )

## PIN DESCRIPTION

PIN NO.	NAME	DESCRIPTION
1	COM	Common
2	$\overline{\text{EN}}$	Enable control input
3	GND	Digital ground
4	GND	Digital ground
5	IN	Digital control to connect the COM to NO or NC
6	NO	Normally open
7	NC	Normally closed
8	$V_+$	Power supply

## PARAMETER DESCRIPTION

SYMBOL	DESCRIPTION
$V_{\text{COM}}$	Voltage at COM
$V_{\text{NC}}$	Voltage at NC
$V_{\text{NO}}$	Voltage at NO
$r_{\text{on}}$	Resistance between COM and NC or COM and NO ports when the channel is ON
$r_{\text{peak}}$	Peak on-state resistance over a specified voltage range
$\Delta r_{\text{on}}$	Difference of $r_{\text{on}}$ between channels in a specific device
$r_{\text{on(flat)}}$	Difference between the maximum and minimum value of $r_{\text{on}}$ in a channel over the specified range of conditions
$I_{\text{NC(OFF)}}$	Leakage current measured at the NC port, with the corresponding channel (NC to COM) in the OFF state under worst-case input and output conditions
$I_{\text{NC(PWROFF)}}$	Leakage current measured at the NC port during the power-off condition, $V_+ = 0$
$I_{\text{NO(OFF)}}$	Leakage current measured at the NO port, with the corresponding channel (NO to COM) in the OFF state under worst-case input and output conditions
$I_{\text{NO(PWROFF)}}$	Leakage current measured at the NO port during the power-off condition, $V_+ = 0$
$I_{\text{NC(ON)}}$	Leakage current measured at the NC port, with the corresponding channel (NC to COM) in the ON state and the output (COM) open
$I_{\text{NO(ON)}}$	Leakage current measured at the NO port, with the corresponding channel (NO to COM) in the ON state and the output (COM) open
$I_{\text{COM(ON)}}$	Leakage current measured at the COM port, with the corresponding channel (COM to NO or COM to NC) in the ON state and the output (NC or NO) open
$I_{\text{COM(OFF)}}$	Leakage current measured at the COM port, with the corresponding channel (COM to NO or COM to NC) in the OFF state and the output (NC or NO) open
$I_{\text{COM(PWROFF)}}$	Leakage current measured at the COM port during the power-off condition, $V_+ = 0$
$V_{\text{IH}}$	Minimum input voltage for logic high for the control input (IN, $\overline{\text{EN}}$ )
$V_{\text{IL}}$	Maximum input voltage for logic low for the control input (IN, $\overline{\text{EN}}$ )
$V_{\text{i}}$	Voltage at the control input (IN, $\overline{\text{EN}}$ )
$I_{\text{IH}}, I_{\text{IL}}$	Leakage current measured at the control input (IN, $\overline{\text{EN}}$ )
$t_{\text{ON}}$	Turn-on time for the switch. This parameter is measured under the specified range of conditions and by the propagation delay between the digital control (IN) signal and analog output (COM, NC, or NO) signal when the switch is turning ON.
$t_{\text{OFF}}$	Turn-off time for the switch. This parameter is measured under the specified range of conditions and by the propagation delay between the digital control (IN) signal and analog output (COM, NC, or NO) signal when the switch is turning OFF.
$t_{\text{BBM}}$	Break-before-make time. This parameter is measured under the specified range of conditions and by the propagation delay between the output of two adjacent analog channels (NC and NO) when the control signal changes state.
$Q_{\text{C}}$	Charge injection is a measurement of unwanted signal coupling from the control (IN) input to the analog (NC, NO, or COM) output. This is measured in coulomb (C) and measured by the total charge induced due to switching of the control input. Charge injection, $Q_{\text{C}} = C_{\text{L}} \times \Delta V_{\text{COM}}$ , $C_{\text{L}}$ is the load capacitance, and $\Delta V_{\text{COM}}$ is the change in analog output voltage.
$C_{\text{NC(OFF)}}$	Capacitance at the NC port when the corresponding channel (NC to COM) is OFF
$C_{\text{NO(OFF)}}$	Capacitance at the NO port when the corresponding channel (NO to COM) is OFF
$C_{\text{NC(ON)}}$	Capacitance at the NC port when the corresponding channel (NC to COM) is ON
$C_{\text{NO(ON)}}$	Capacitance at the NO port when the corresponding channel (NO to COM) is ON

PARAMETER DESCRIPTION (continued)

SYMBOL	DESCRIPTION
$C_{COM(ON)}$	Capacitance at the COM port when the corresponding channel (COM to NC or COM to NO) is ON
$C_{COM(OFF)}$	Capacitance at the COM port when the corresponding channel (COM to NC or COM to NO) is OFF
$C_i$	Capacitance of control input (IN)
$O_{ISO}$	OFF isolation of the switch is a measurement of OFF-state switch impedance. This is measured in dB in a specific frequency, with the corresponding channel (NC to COM or NO to COM) in the OFF state.
$X_{TALK}$	Crosstalk is a measurement of unwanted signal coupling from an ON channel to an OFF channel (NC to NO or NO to NC). This is measured in a specific frequency and in dB.
BW	Bandwidth of the switch. This is the frequency where the gain of an ON channel is -3 dB below the DC gain.
THD	Total harmonic distortion describes the signal distortion caused by the analog switch. This is defined as the ratio of root mean square (RMS) value of the second, third, and higher harmonic to the absolute magnitude of fundamental harmonic.
$I_+$	Static power-supply current with the control (IN, $\overline{EN}$ ) pin at $V_+$ or GND

PARAMETER MEASUREMENT INFORMATION

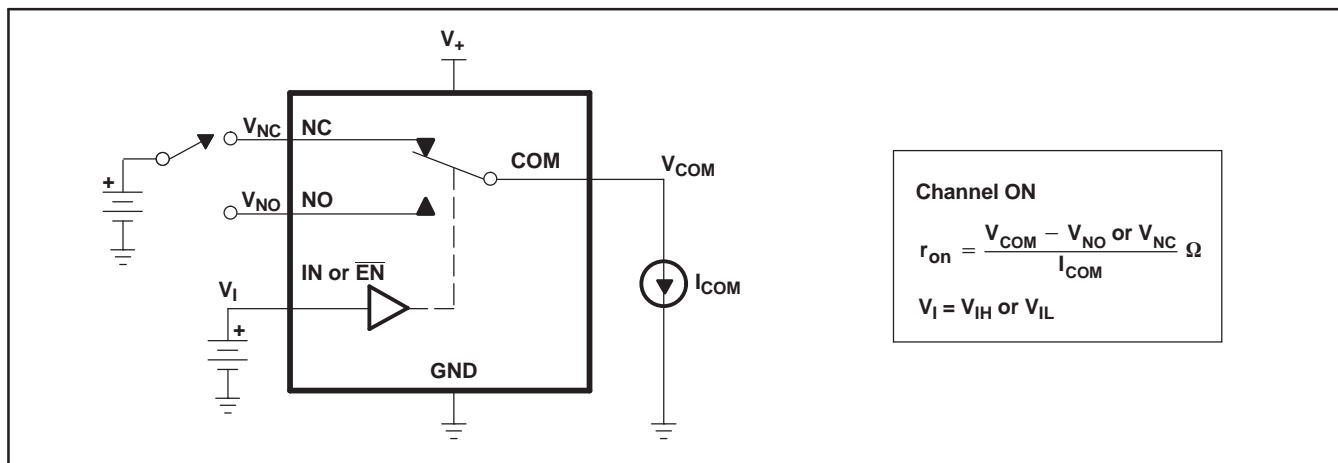


Figure 13. ON-State Resistance ( $r_{on}$ )

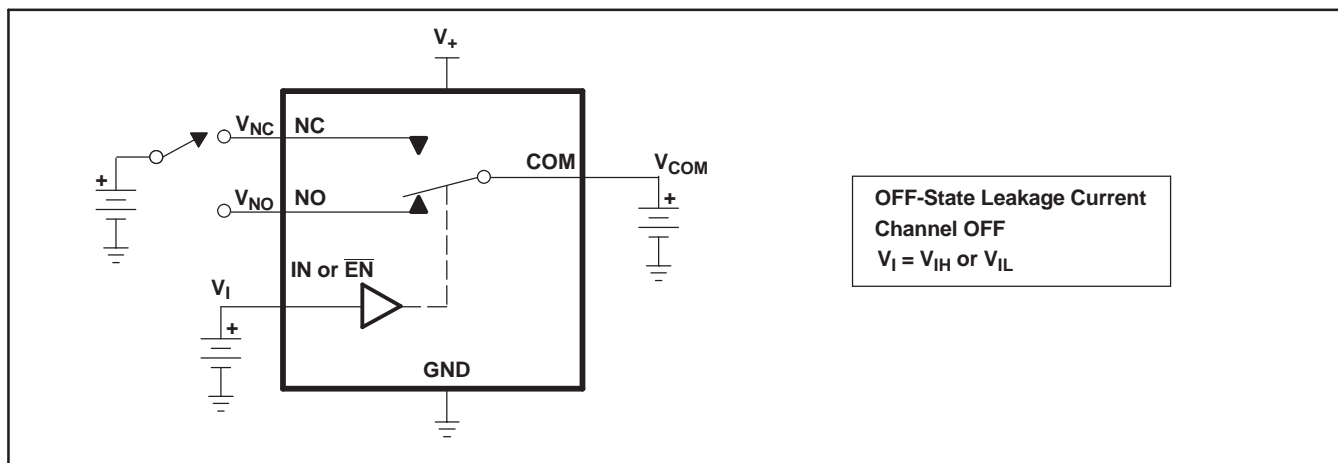


Figure 14. OFF-State Leakage Current ( $I_{NC(OFF)}$ ,  $I_{NO(OFF)}$ ,  $I_{NO(PWROFF)}$ ,  $I_{COM(PWROFF)}$ )

PARAMETER MEASUREMENT INFORMATION (continued)

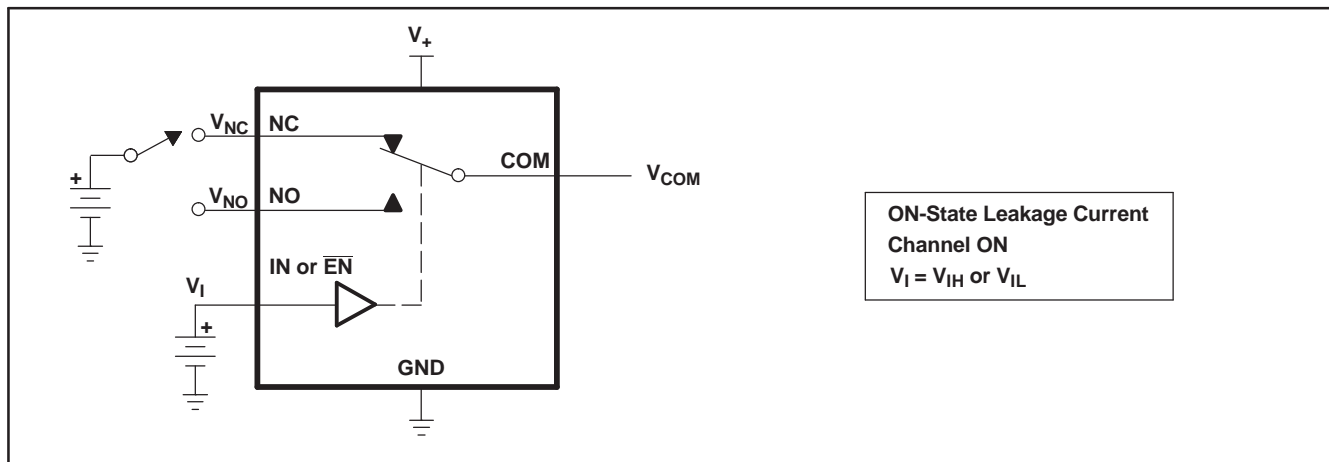


Figure 15. ON-State Leakage Current ( $I_{COM(ON)}$ ,  $I_{NC(ON)}$ ,  $I_{NO(ON)}$ )

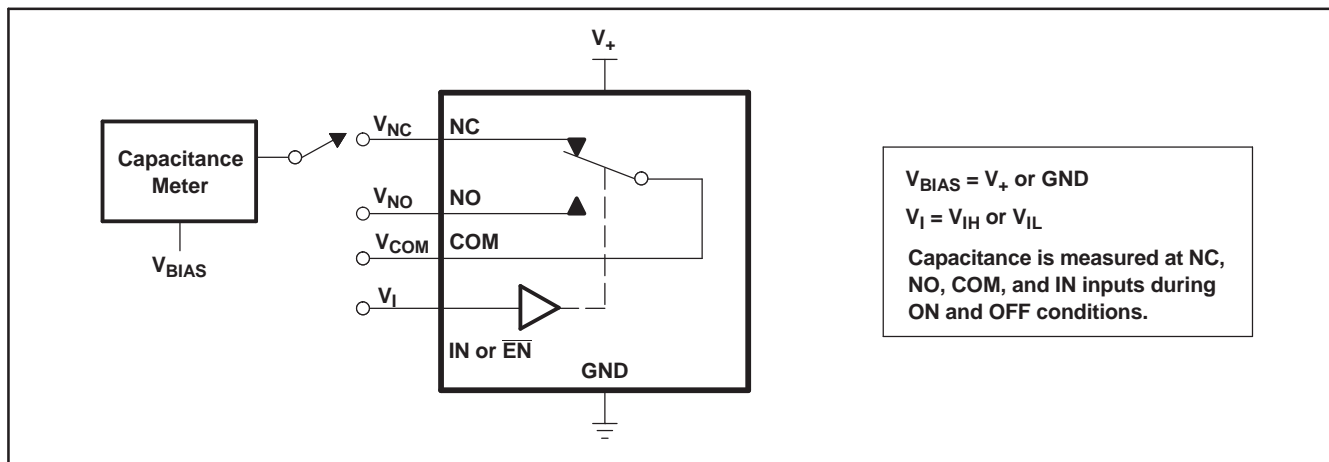
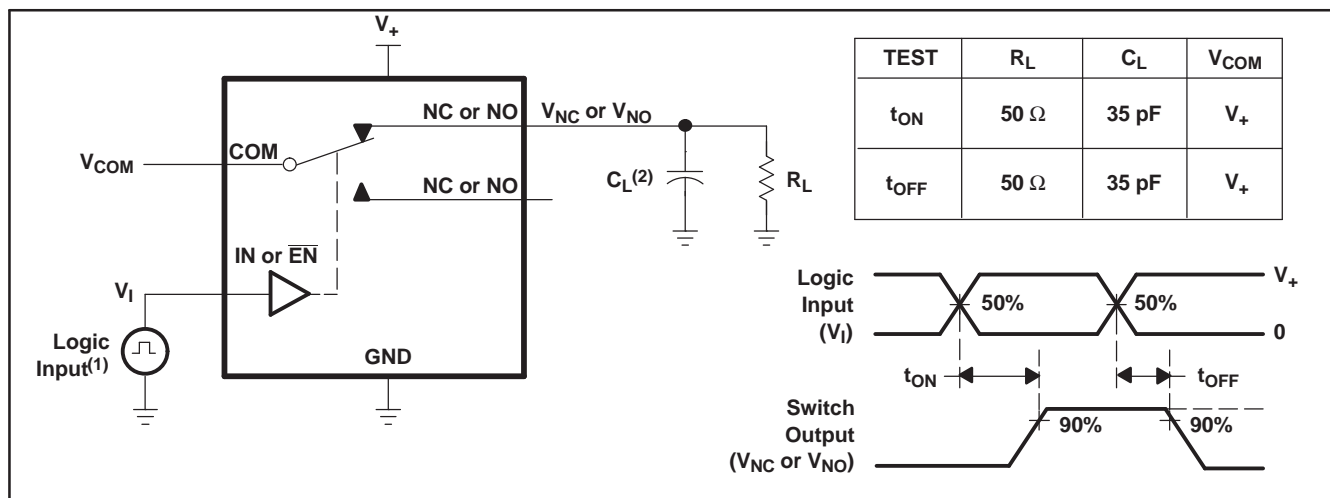


Figure 16. Capacitance ( $C_I$ ,  $C_{COM(OFF)}$ ,  $C_{COM(ON)}$ ,  $C_{NC(OFF)}$ ,  $C_{NO(OFF)}$ ,  $C_{NC(ON)}$ ,  $C_{NO(ON)}$ )



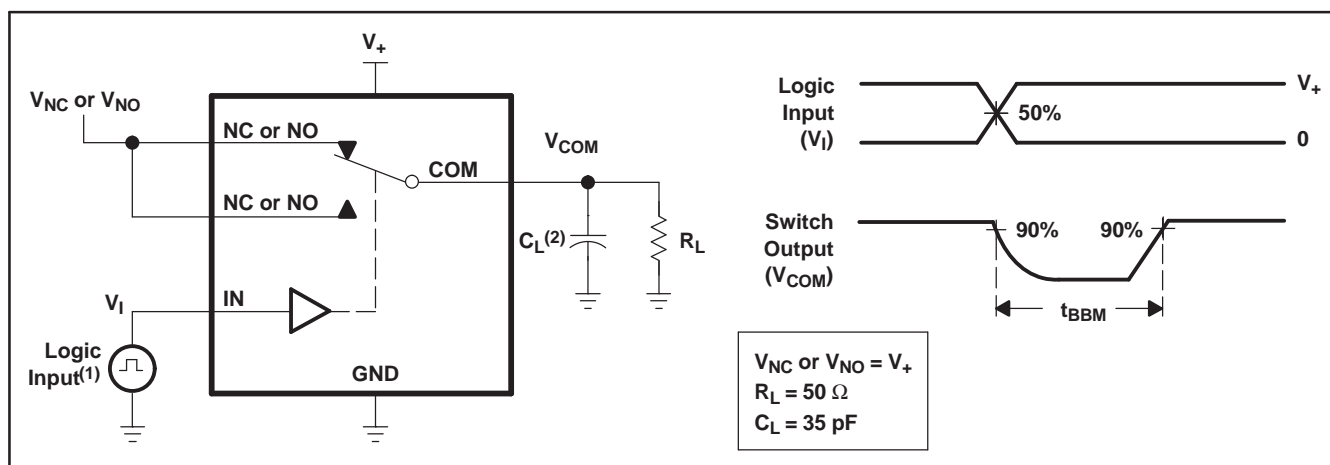
PARAMETER MEASUREMENT INFORMATION (continued)



(1) All input pulses are supplied by generators having the following characteristics: PRR ≤ 10 MHz, ZO = 50 Ω, tr < 5 ns, tf < 5 ns.

(2) CL includes probe and jig capacitance.

Figure 17. Turn-On (tON) and Turn-Off Time (tOFF)



(1) All input pulses are supplied by generators having the following characteristics: PRR ≤ 10 MHz, ZO = 50 Ω, tr < 5 ns, tf < 5 ns.

(2) CL includes probe and jig capacitance.

Figure 18. Make-Before-Break Time (tMBB)

PARAMETER MEASUREMENT INFORMATION (continued)

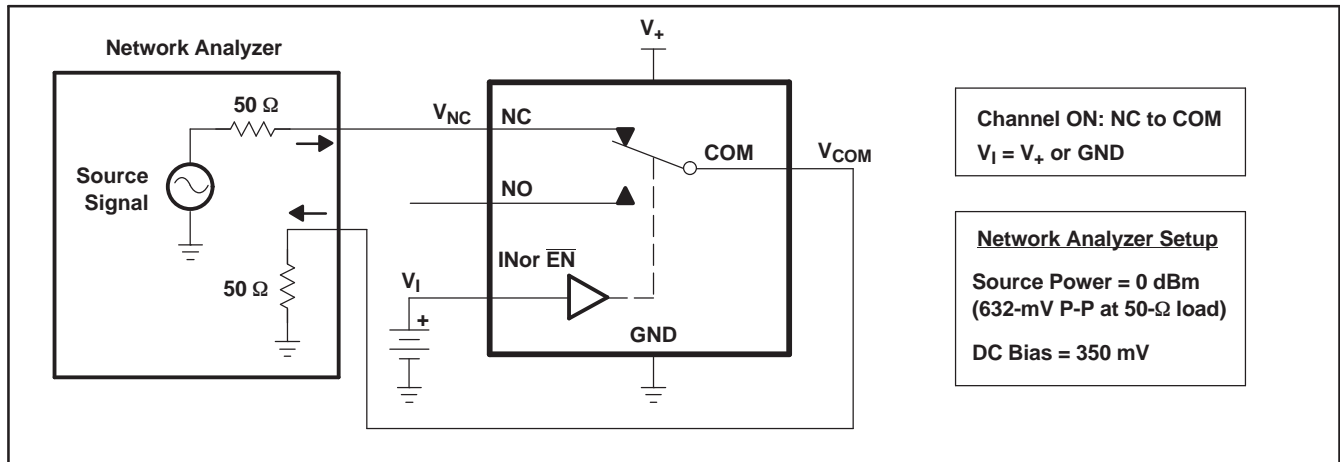


Figure 19. Bandwidth (BW)

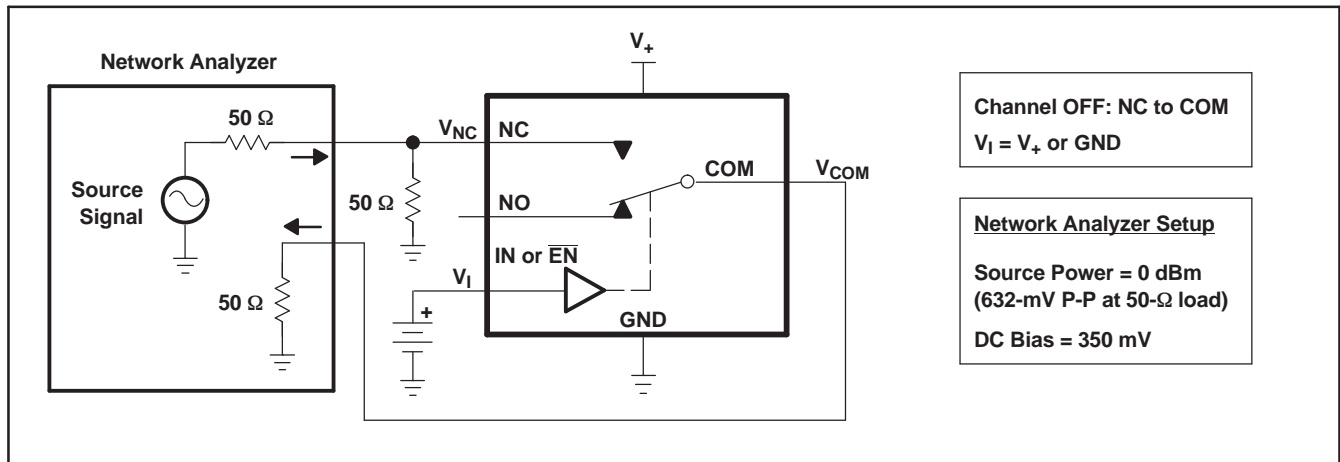


Figure 20. OFF Isolation ( $O_{ISO}$ )

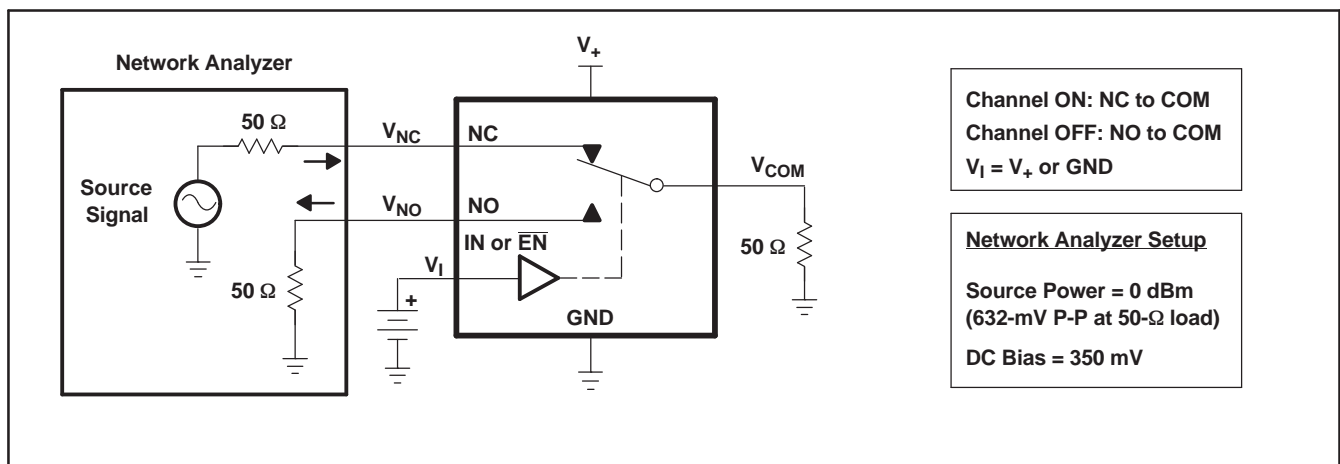
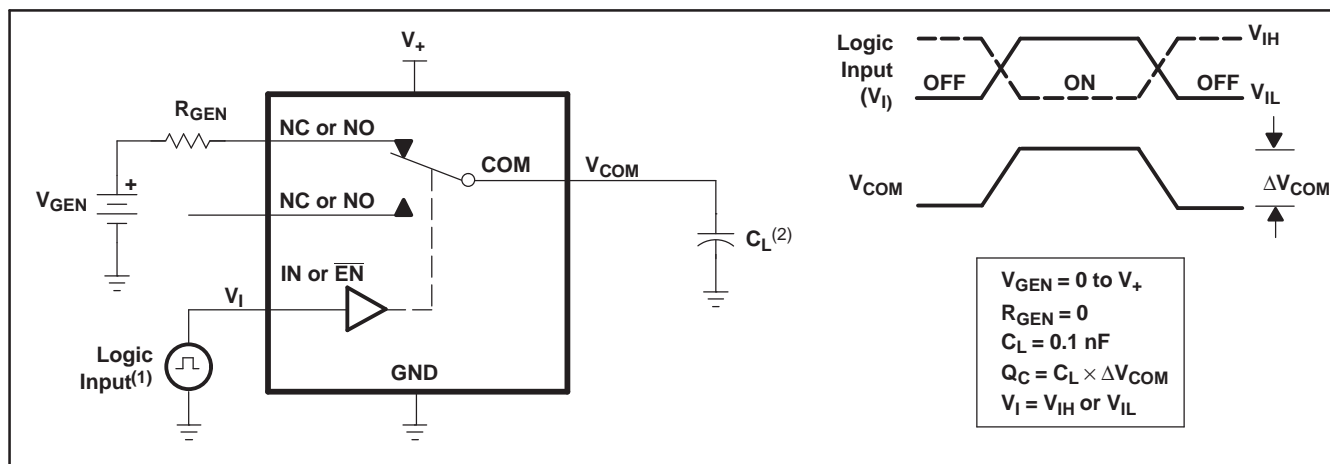


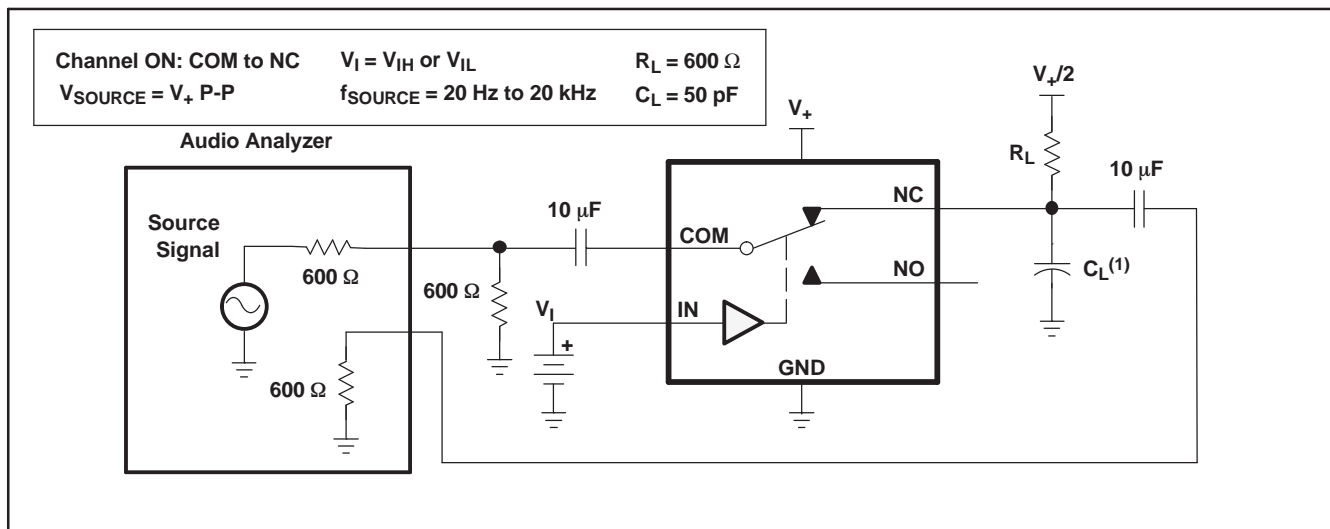
Figure 21. Crosstalk ( $X_{TALK}$ )

PARAMETER MEASUREMENT INFORMATION (continued)



- (1) All input pulses are supplied by generators having the following characteristics: PRR ≤ 10 MHz, Z<sub>O</sub> = 50 Ω, t<sub>r</sub> < 5 ns, t<sub>f</sub> < 5 ns.
- (2) C<sub>L</sub> includes probe and jig capacitance.

Figure 22. Charge Injection (Q<sub>C</sub>)



- (1) C<sub>L</sub> includes probe and jig capacitance.

Figure 23. Total Harmonic Distortion (THD)

**PACKAGING INFORMATION**

Orderable Device	Status <sup>(1)</sup>	Package Type	Package Drawing	Pins	Package Qty	Eco Plan <sup>(2)</sup>	Lead/Ball Finish	MSL Peak Temp <sup>(3)</sup>
TS5A3153DCUR	ACTIVE	US8	DCU	8	3000	Green (RoHS & no Sb/Br)	CU NIPDAU	Level-1-260C-UNLIM
TS5A3153DCURE4	ACTIVE	US8	DCU	8	3000	Green (RoHS & no Sb/Br)	CU NIPDAU	Level-1-260C-UNLIM
TS5A3153DCURG4	ACTIVE	US8	DCU	8	3000	Green (RoHS & no Sb/Br)	CU NIPDAU	Level-1-260C-UNLIM
TS5A3153YZPR	ACTIVE	DSBGA	YZP	8	3000	Green (RoHS & no Sb/Br)	SNAGCU	Level-1-260C-UNLIM

<sup>(1)</sup> The marketing status values are defined as follows:

**ACTIVE:** Product device recommended for new designs.

**LIFEBUY:** TI has announced that the device will be discontinued, and a lifetime-buy period is in effect.

**NRND:** Not recommended for new designs. Device is in production to support existing customers, but TI does not recommend using this part in a new design.

**PREVIEW:** Device has been announced but is not in production. Samples may or may not be available.

**OBSOLETE:** TI has discontinued the production of the device.

<sup>(2)</sup> Eco Plan - The planned eco-friendly classification: Pb-Free (RoHS), Pb-Free (RoHS Exempt), or Green (RoHS & no Sb/Br) - please check <http://www.ti.com/productcontent> for the latest availability information and additional product content details.

**TBD:** The Pb-Free/Green conversion plan has not been defined.

**Pb-Free (RoHS):** TI's terms "Lead-Free" or "Pb-Free" mean semiconductor products that are compatible with the current RoHS requirements for all 6 substances, including the requirement that lead not exceed 0.1% by weight in homogeneous materials. Where designed to be soldered at high temperatures, TI Pb-Free products are suitable for use in specified lead-free processes.

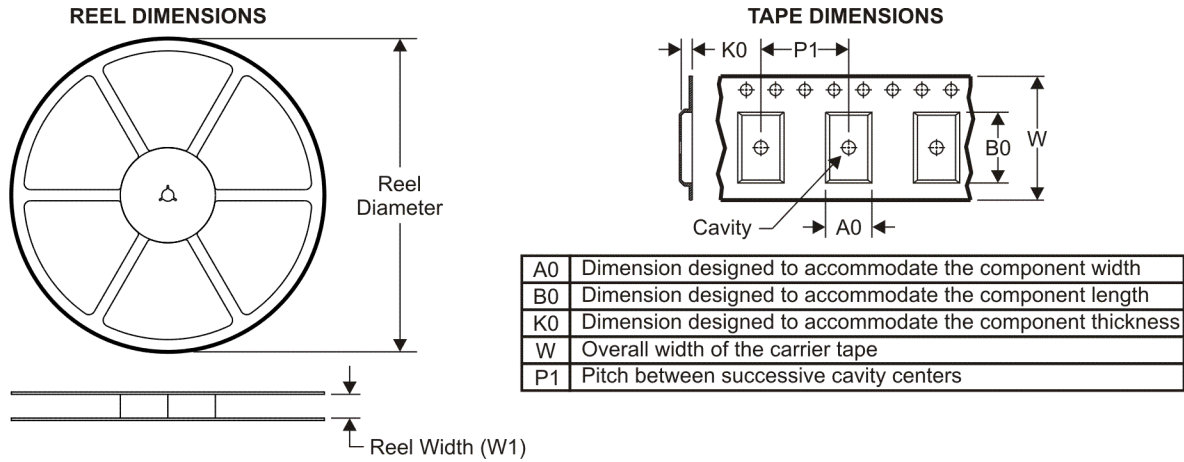
**Pb-Free (RoHS Exempt):** This component has a RoHS exemption for either 1) lead-based flip-chip solder bumps used between the die and package, or 2) lead-based die adhesive used between the die and leadframe. The component is otherwise considered Pb-Free (RoHS compatible) as defined above.

**Green (RoHS & no Sb/Br):** TI defines "Green" to mean Pb-Free (RoHS compatible), and free of Bromine (Br) and Antimony (Sb) based flame retardants (Br or Sb do not exceed 0.1% by weight in homogeneous material)

<sup>(3)</sup> MSL, Peak Temp. -- The Moisture Sensitivity Level rating according to the JEDEC industry standard classifications, and peak solder temperature.

**Important Information and Disclaimer:**The information provided on this page represents TI's knowledge and belief as of the date that it is provided. TI bases its knowledge and belief on information provided by third parties, and makes no representation or warranty as to the accuracy of such information. Efforts are underway to better integrate information from third parties. TI has taken and continues to take reasonable steps to provide representative and accurate information but may not have conducted destructive testing or chemical analysis on incoming materials and chemicals. TI and TI suppliers consider certain information to be proprietary, and thus CAS numbers and other limited information may not be available for release.

In no event shall TI's liability arising out of such information exceed the total purchase price of the TI part(s) at issue in this document sold by TI to Customer on an annual basis.

**TAPE AND REEL INFORMATION**

**QUADRANT ASSIGNMENTS FOR PIN 1 ORIENTATION IN TAPE**


\*All dimensions are nominal

Device	Package Type	Package Drawing	Pins	SPQ	Reel Diameter (mm)	Reel Width W1 (mm)	A0 (mm)	B0 (mm)	K0 (mm)	P1 (mm)	W (mm)	Pin1 Quadrant
TS5A3153DCUR	US8	DCU	8	3000	180.0	8.4	2.25	3.35	1.05	4.0	8.0	Q3
TS5A3153YZPR	DSBGA	YZP	8	3000	180.0	8.4	1.02	2.02	0.63	4.0	8.0	Q1

**TAPE AND REEL BOX DIMENSIONS**

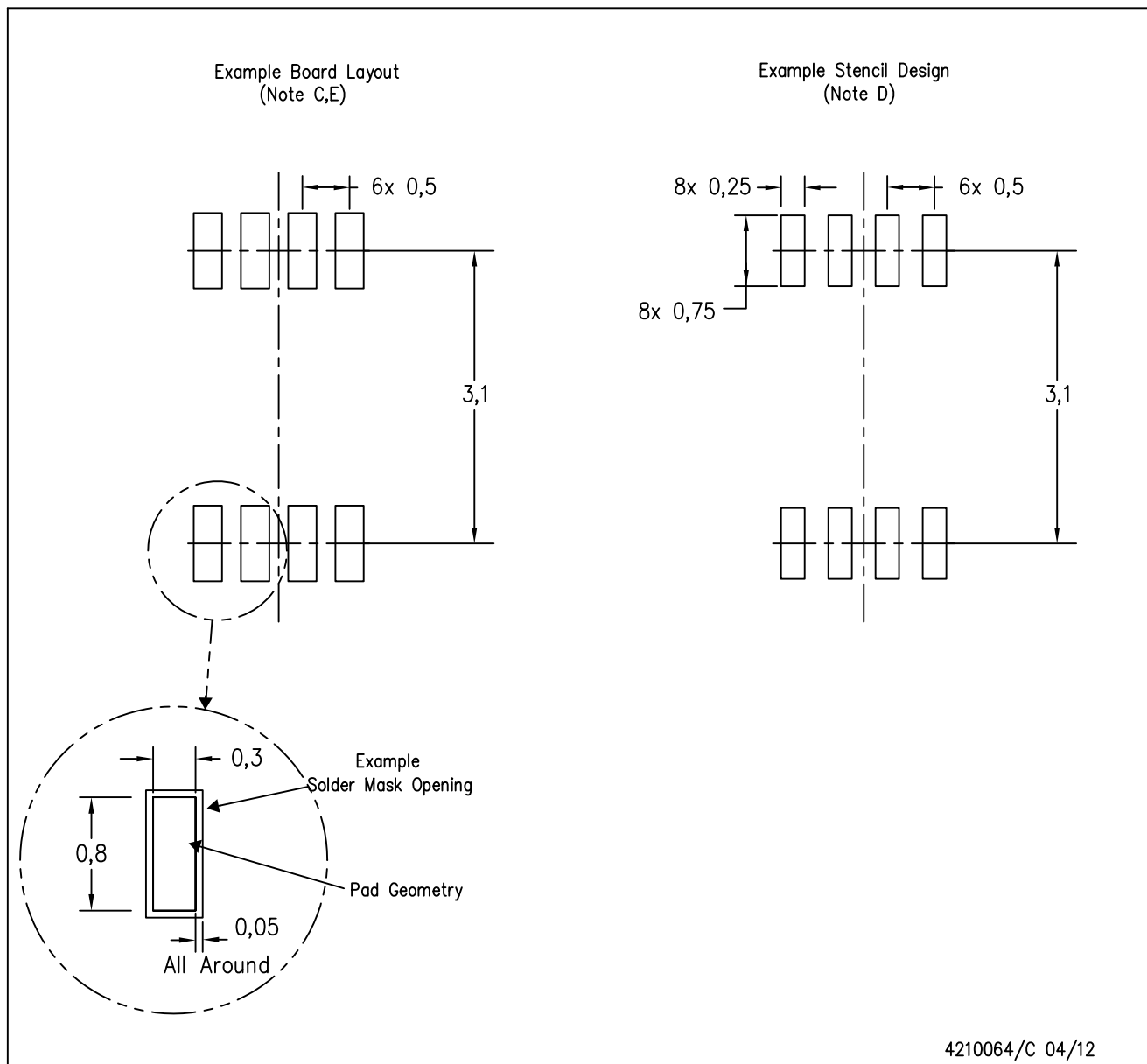

\*All dimensions are nominal

Device	Package Type	Package Drawing	Pins	SPQ	Length (mm)	Width (mm)	Height (mm)
TS5A3153DCUR	US8	DCU	8	3000	202.0	201.0	28.0
TS5A3153YZPR	DSBGA	YZP	8	3000	220.0	220.0	34.0



DCU (S-PDSO-G8)

PLASTIC SMALL OUTLINE PACKAGE (DIE DOWN)

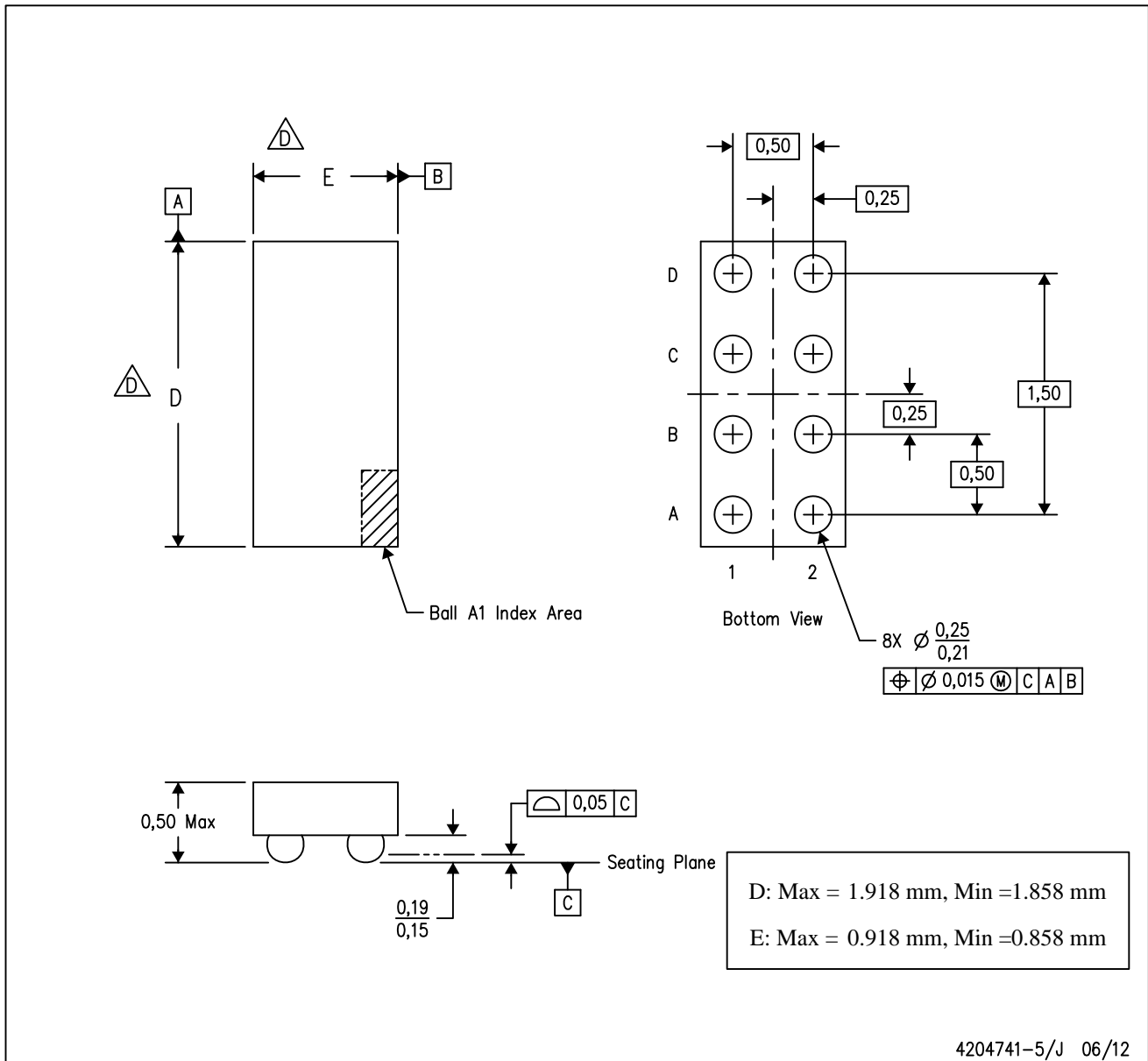


- NOTES:
- A. All linear dimensions are in millimeters.
  - B. This drawing is subject to change without notice.
  - C. Publication IPC-7351 is recommended for alternate designs.
  - D. Laser cutting apertures with trapezoidal walls and also rounding corners will offer better paste release. Customers should contact their board assembly site for stencil design recommendations. Refer to IPC-7525 for other stencil recommendations.
  - E. Customers should contact their board fabrication site for solder mask tolerances between and around signal pads.



YZP (R-XBGA-N8)

DIE-SIZE BALL GRID ARRAY



- NOTES:
- A. All linear dimensions are in millimeters. Dimensioning and tolerancing per ASME Y14.5M-1994.
  - B. This drawing is subject to change without notice.
  - C. NanoFree™ package configuration.
  - $\triangle$  The package size (Dimension D and E) of a particular device is specified in the device Product Data Sheet version of this drawing, in case it cannot be found in the product data sheet please contact a local TI representative.
  - E. This package is a Pb-free solder ball design. Refer to the 8 YEP package (drawing 4204725) for tin-lead (SnPb).

NanoFree is a trademark of Texas Instruments.

## IMPORTANT NOTICE

Texas Instruments Incorporated and its subsidiaries (TI) reserve the right to make corrections, enhancements, improvements and other changes to its semiconductor products and services per JESD46, latest issue, and to discontinue any product or service per JESD48, latest issue. Buyers should obtain the latest relevant information before placing orders and should verify that such information is current and complete. All semiconductor products (also referred to herein as "components") are sold subject to TI's terms and conditions of sale supplied at the time of order acknowledgment.

TI warrants performance of its components to the specifications applicable at the time of sale, in accordance with the warranty in TI's terms and conditions of sale of semiconductor products. Testing and other quality control techniques are used to the extent TI deems necessary to support this warranty. Except where mandated by applicable law, testing of all parameters of each component is not necessarily performed.

TI assumes no liability for applications assistance or the design of Buyers' products. Buyers are responsible for their products and applications using TI components. To minimize the risks associated with Buyers' products and applications, Buyers should provide adequate design and operating safeguards.

TI does not warrant or represent that any license, either express or implied, is granted under any patent right, copyright, mask work right, or other intellectual property right relating to any combination, machine, or process in which TI components or services are used. Information published by TI regarding third-party products or services does not constitute a license to use such products or services or a warranty or endorsement thereof. Use of such information may require a license from a third party under the patents or other intellectual property of the third party, or a license from TI under the patents or other intellectual property of TI.

Reproduction of significant portions of TI information in TI data books or data sheets is permissible only if reproduction is without alteration and is accompanied by all associated warranties, conditions, limitations, and notices. TI is not responsible or liable for such altered documentation. Information of third parties may be subject to additional restrictions.

Resale of TI components or services with statements different from or beyond the parameters stated by TI for that component or service voids all express and any implied warranties for the associated TI component or service and is an unfair and deceptive business practice. TI is not responsible or liable for any such statements.

Buyer acknowledges and agrees that it is solely responsible for compliance with all legal, regulatory and safety-related requirements concerning its products, and any use of TI components in its applications, notwithstanding any applications-related information or support that may be provided by TI. Buyer represents and agrees that it has all the necessary expertise to create and implement safeguards which anticipate dangerous consequences of failures, monitor failures and their consequences, lessen the likelihood of failures that might cause harm and take appropriate remedial actions. Buyer will fully indemnify TI and its representatives against any damages arising out of the use of any TI components in safety-critical applications.

In some cases, TI components may be promoted specifically to facilitate safety-related applications. With such components, TI's goal is to help enable customers to design and create their own end-product solutions that meet applicable functional safety standards and requirements. Nonetheless, such components are subject to these terms.

No TI components are authorized for use in FDA Class III (or similar life-critical medical equipment) unless authorized officers of the parties have executed a special agreement specifically governing such use.

Only those TI components which TI has specifically designated as military grade or "enhanced plastic" are designed and intended for use in military/aerospace applications or environments. Buyer acknowledges and agrees that any military or aerospace use of TI components which have **not** been so designated is solely at the Buyer's risk, and that Buyer is solely responsible for compliance with all legal and regulatory requirements in connection with such use.

TI has specifically designated certain components as meeting ISO/TS16949 requirements, mainly for automotive use. In any case of use of non-designated products, TI will not be responsible for any failure to meet ISO/TS16949.

### Products

Audio	<a href="http://www.ti.com/audio">www.ti.com/audio</a>
Amplifiers	<a href="http://amplifier.ti.com">amplifier.ti.com</a>
Data Converters	<a href="http://dataconverter.ti.com">dataconverter.ti.com</a>
DLP® Products	<a href="http://www.dlp.com">www.dlp.com</a>
DSP	<a href="http://dsp.ti.com">dsp.ti.com</a>
Clocks and Timers	<a href="http://www.ti.com/clocks">www.ti.com/clocks</a>
Interface	<a href="http://interface.ti.com">interface.ti.com</a>
Logic	<a href="http://logic.ti.com">logic.ti.com</a>
Power Mgmt	<a href="http://power.ti.com">power.ti.com</a>
Microcontrollers	<a href="http://microcontroller.ti.com">microcontroller.ti.com</a>
RFID	<a href="http://www.ti-rfid.com">www.ti-rfid.com</a>
OMAP Applications Processors	<a href="http://www.ti.com/omap">www.ti.com/omap</a>
Wireless Connectivity	<a href="http://www.ti.com/wirelessconnectivity">www.ti.com/wirelessconnectivity</a>

### Applications

Automotive and Transportation	<a href="http://www.ti.com/automotive">www.ti.com/automotive</a>
Communications and Telecom	<a href="http://www.ti.com/communications">www.ti.com/communications</a>
Computers and Peripherals	<a href="http://www.ti.com/computers">www.ti.com/computers</a>
Consumer Electronics	<a href="http://www.ti.com/consumer-apps">www.ti.com/consumer-apps</a>
Energy and Lighting	<a href="http://www.ti.com/energy">www.ti.com/energy</a>
Industrial	<a href="http://www.ti.com/industrial">www.ti.com/industrial</a>
Medical	<a href="http://www.ti.com/medical">www.ti.com/medical</a>
Security	<a href="http://www.ti.com/security">www.ti.com/security</a>
Space, Avionics and Defense	<a href="http://www.ti.com/space-avionics-defense">www.ti.com/space-avionics-defense</a>
Video and Imaging	<a href="http://www.ti.com/video">www.ti.com/video</a>

### TI E2E Community

[e2e.ti.com](http://e2e.ti.com)



## Стандарт Электрон Связь

Мы молодая и активно развивающаяся компания в области поставок электронных компонентов. Мы поставляем электронные компоненты отечественного и импортного производства напрямую от производителей и с крупнейших складов мира.

Благодаря сотрудничеству с мировыми поставщиками мы осуществляем комплексные и плановые поставки широчайшего спектра электронных компонентов.

Собственная эффективная логистика и склад в обеспечивает надежную поставку продукции в точно указанные сроки по всей России.

Мы осуществляем техническую поддержку нашим клиентам и предпродажную проверку качества продукции. На все поставляемые продукты мы предоставляем гарантию .

Осуществляем поставки продукции под контролем ВП МО РФ на предприятия военно-промышленного комплекса России , а также работаем в рамках 275 ФЗ с открытием отдельных счетов в уполномоченном банке. Система менеджмента качества компании соответствует требованиям ГОСТ ISO 9001.

Минимальные сроки поставки, гибкие цены, неограниченный ассортимент и индивидуальный подход к клиентам являются основой для выстраивания долгосрочного и эффективного сотрудничества с предприятиями радиоэлектронной промышленности, предприятиями ВПК и научно-исследовательскими институтами России.

С нами вы становитесь еще успешнее!

### Наши контакты:

**Телефон:** +7 812 627 14 35

**Электронная почта:** [sales@st-electron.ru](mailto:sales@st-electron.ru)

**Адрес:** 198099, Санкт-Петербург,  
Промышленная ул, дом № 19, литера Н,  
помещение 100-Н Офис 331