

# MAXIM

## CMOS RF/Video Multiplexers

MAX310/311

### General Description

Maxim's MAX310 and MAX311 are CMOS monolithic analog multiplexer/demultiplexers designed for use with signal frequencies ranging from DC through video. The MAX310 is a 1-of-8 multiplexer while the MAX311 is for 2-of-8 (4 channel differential) applications.

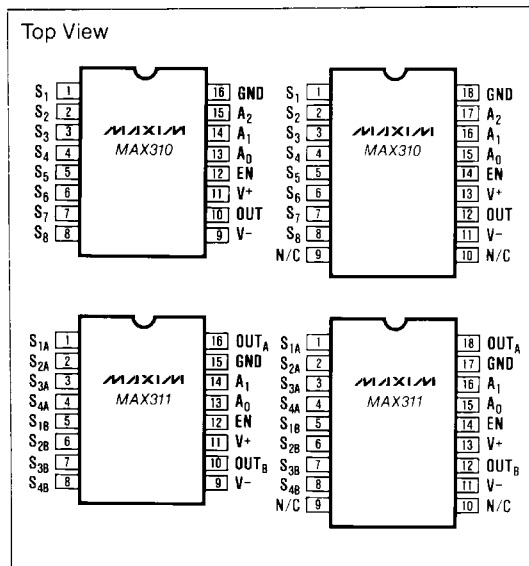
A key feature of the MAX310/311 is extremely high off isolation at high frequencies. The isolation of each off channel to the output is guaranteed to be -66dB at 5MHz. The input signal range is +12V to -15V with  $\pm 15V$  power supplies while power consumption is typically 1.1mW.

All control inputs are fully compatible with TTL and CMOS logic. Decoding is in standard BCD format and an Enable input is also provided to simplify cascading of devices. The MAX310 and MAX311 will operate with nearly any power supply combination which totals less than 36V ( $V^+ - V^-$ ) including single supply operation at +12V, +15V, and +28V with  $V^-$  connected to GND.

### Applications

- Video Switching and Crosspoint Systems
- Automatic Test Equipment
- Medical Ultrasound Phased Array Systems
- Data Logging of High Frequency Signals
- Digital Signal Processing

### Pin Configuration



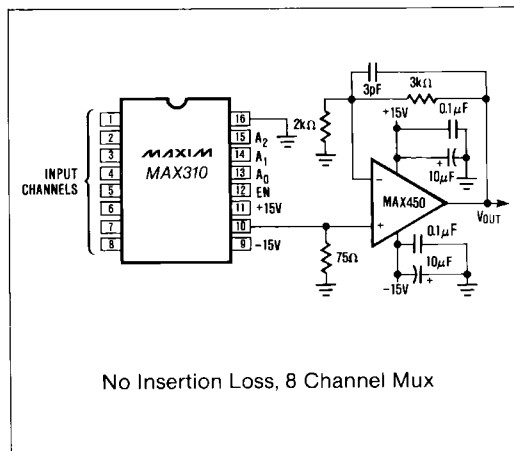
### Features

- ◆ -76dB Typical Off Isolation at 5MHz
- ◆ -63dB Typical "All Channel Off" Isolation at 5MHz
- ◆ Phase Shift Match Between Channels, <1° at 5MHz
- ◆ Break-Before-Make Switching
- ◆ Wide Supply Range,  $\pm 4.5V$  to  $\pm 16.5V$  and Single Supply
- ◆ Symmetrical, Bi-directional Operation
- ◆ Latch-Up Proof Construction

### Ordering Information

PART	TEMP. RANGE	PACKAGE
MAX310C/D	0°C to +70°C	Dice
MAX310CPE	0°C to +70°C	16 Lead Plastic DIP
MAX310CWN	0°C to -70°C	18 Lead Wide SO
MAX310EPE	40°C to +85°C	16 Lead Plastic DIP
MAX310EWN	-40°C to +85°C	18 Lead Wide SO
MAX310EJE	-40°C to +85°C	16 Lead CERDIP
MAX310MJE	-55°C to +125°C	16 Lead CERDIP
MAX311C/D	0°C to +70°C	Dice
MAX311CPE	0°C to +70°C	16 Lead Plastic DIP
MAX311CWN	0°C to -70°C	18 Lead Wide SO
MAX311EPE	-40°C to +85°C	16 Lead Plastic DIP
MAX311EWN	-40°C to +85°C	18 Lead Wide SO
MAX311EJE	-40°C to +85°C	16 Lead CERDIP
MAX311MJE	-55°C to +125°C	16 Lead CERDIP

### Typical Operating Circuit



**MAXIM**

MAXIM is a registered trademark of Maxim Integrated Products.

Maxim Integrated Products 1

## CMOS RF/Video Multiplexers

### ABSOLUTE MAXIMUM RATINGS

Voltage referenced to V <sup>-</sup>		Operating Temperature Range	
V <sup>+</sup> .....	+36V	MAX310C, MAX311C .....	0°C to +70°C
GND .....	+24V	MAX310E, MAX311E .....	-40°C to +85°C
Digital Inputs .....	V <sup>-</sup> to V <sup>+</sup>	MAX310M, MAX311M .....	-55°C to +125°C
Input Current		Power Dissipation (16-Pin packages)	
S and COMMON OUT .....	±50mA	CERDIP (derate 10mW/°C above +75°C) .....	750mW
All pins except S and COM. OUT .....	±30mA	Plastic DIP (derate 7.35mW/°C above +75°C) .....	550mW
Lead Temperature .....	+300°C	Small Outline (derate 9mW/°C above +75°C) .....	550mW
Storage Temperature .....	-65°C to +150°C		

Stresses listed under "Absolute Maximum Ratings" may be applied (one at a time) to devices without resulting in permanent damage. These are stress ratings only, and functional operation of the device at these or any other conditions above those indicated in the operational sections of the specifications is not implied. Exposure to absolute maximum ratings conditions for extended periods may affect device reliability.

### ELECTRICAL CHARACTERISTICS

(Over Temperature. V<sup>+</sup> = +15V, V<sup>-</sup> = -15V, GND = 0V unless otherwise indicated)

PARAMETER	SYMBOL	CONDITIONS	MIN.	TYP.	MAX.	UNITS
Analog Signal Range		V <sup>+</sup> , V <sup>-</sup> = ±15V V <sup>+</sup> , V <sup>-</sup> = ±5V	-15 -5		+12 +2	V
Channel ON Resistance	R <sub>ON</sub>	V <sub>IN</sub> = ±5V, I <sub>OUT</sub> = 10mA T <sub>A</sub> = +25°C Over Temp.		150	250 300	Ω
ON Resistance Match	ΔR <sub>ON</sub>	V <sub>IN</sub> = ±5V, I <sub>OUT</sub> = 10mA		6		%
OFF Input Leakage Current	I <sub>S(OFF)</sub>	Figure 10, T <sub>A</sub> = +25°C Over Temp.		0.4 3	10 100	nA
OFF Output Leakage Current	I <sub>D(OFF)</sub>	Figure 11, T <sub>A</sub> = +25°C MAX310 Over Temp. MAX311 Over Temp.		0.8 20 10	10 100 50	nA
ON Channel Leakage Current	I <sub>D(ON)</sub>	Figure 12, T <sub>A</sub> = +25°C MAX310 Over Temp. MAX311 Over Temp.		1 30 15	10 200 100	nA
Input Low Threshold	V <sub>AL</sub>	V <sup>+</sup> /V <sup>-</sup> = ±15V, ±5V			0.8	V
Input High Threshold	V <sub>AH</sub>	V <sup>+</sup> /V <sup>-</sup> = ±15V, ±5V	2.4			V
Input Current (Logic)	I <sub>A</sub>	V <sub>A</sub> = 0V or 5V			±10	μA
Access Time	t <sub>ACC</sub>	Figure 7; T <sub>A</sub> = +25°C Over Temp.		0.6	1.5 2.0	μs
Enable Delay ON or OFF	t <sub>EN(ON/OFF)</sub>	Figure 8; T <sub>A</sub> = +25°C Over Temp.		0.3	1.0 2.0	μs
Break-Before-Make Delay	t <sub>ON-tOFF</sub>	Figure 9	30	100		ns
OFF Isolation, Single Channel to OUT	ISO <sub>SC</sub>	Figure 3; T <sub>A</sub> = +25°C	-66	-76		dB
OFF Isolation, All Channels to OUT	ISO <sub>AC</sub>	Figure 4, 5, T <sub>A</sub> = +25°C MUX Disabled, EN = +0.8V MUX Enabled, EN = +2.4V		-63 -58		dB
Adjacent Channel Crosstalk	ISO <sub>X</sub>	Figure 6, T <sub>A</sub> = +25°C		-72		dB
Channel Input Capacitance OFF State ON State	C <sub>S(OFF)</sub> C <sub>S(ON)</sub>	T <sub>A</sub> = +25°C, V <sub>IN</sub> = 10mV <sub>RMS</sub> 10 MHz		5		pF
Channel Output Capacitance OFF State ON State	C <sub>D(OFF)</sub> C <sub>D(OFF)</sub>	T <sub>A</sub> = +25°C; EN = +0.8V, MAX310 MAX311 EN = +2.4V, MAX310 MAX311		38 20 57 40		pF
Charge Injection	Q	Figure 13, T <sub>A</sub> = +25°C		110		pC
Supply Current; V <sup>+</sup> V <sup>-</sup>	I <sup>+</sup> I <sup>-</sup>	EN, A0, A1, A2 = 0V or +5V		75 0.1	200 100	μA
Supply Voltage Range		T <sub>A</sub> = +25°C	±4.5		±16.5	V

# CMOS RF/Video Multiplexers

## Detailed Description

MAX310/311

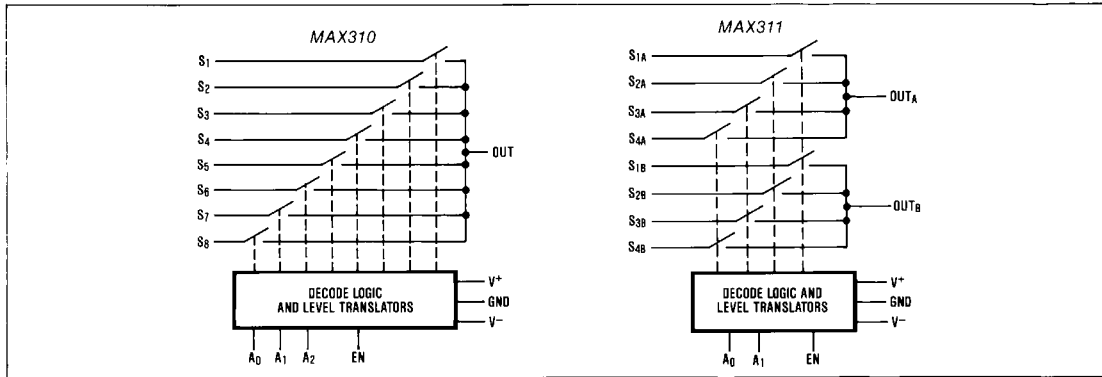


Figure 1. Functional Block Diagrams

The Maxim MAX310 and MAX311 contain 8 video switches combined with an address decoder and level translators (Figure 1). Each of the 8 video switches consists of 3 N-channel FETs configured as shown in Figure 2. This "T" configuration provides the high frequency OFF isolation required when switching wide-band video, audio, or digital signals.

N-channel FETs are used in the MAX310/311's "T" switches because of their low capacitance and consequently superior isolation characteristics. A side effect is that the N-channel ON resistance varies somewhat with the voltage difference between the analog input signal and  $V^+$ . This effect is shown in the Typical Operating Characteristics section.

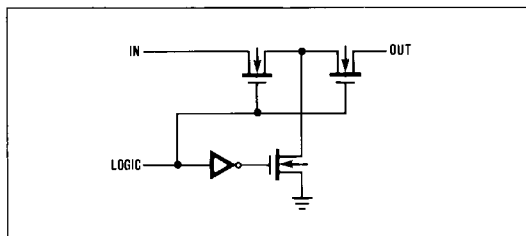


Figure 2. N-channel T Switch

Channel selection is performed by applying a binary input to the address inputs  $A_0$ ,  $A_1$  and  $A_2$  ( $A_0$  and  $A_1$  only for MAX311). The address decoder selects channels as shown in the truth tables (Table 1). All digital inputs are compatible with TTL and CMOS logic levels.

Break-before-make switch timing is guaranteed for both multiplexers. This prevents momentary shorting of inputs when changing multiplexer channels.

The MAX310 and MAX311 are also fully bilateral and so can be used "backwards", as demultiplexers, with no loss in performance. Specifically, one input signal can be routed to one of several outputs.

TABLE 1. CHANNEL SELECTION INPUT CODES

MAX310				MAX311				
$A_2$	$A_1$	$A_0$	EN	ON Channel	$A_1$	$A_0$	EN	ON Channel
0	0	0	1	1	0	0	1	1A + 1B
0	0	1	1	2	0	1	1	2A + 2B
0	1	0	1	3	1	0	1	3A + 3B
0	1	1	1	4	1	1	1	4A + 4B
1	0	0	1	5	X	X	0	ALL OFF
1	0	1	1	6				
1	1	0	1	7				
1	1	1	1	8				
X	X	X	0	ALL OFF				

### Application Hints

#### Maximizing Isolation

With all high frequency circuits, careful printed circuit board layout is essential for optimum performance. To maintain the high frequency isolation of the MAX310/311, signal paths should be of minimum length and ground plane should be used where possible, including between adjacent input pins. A ground or power supply trace between adjacent inputs will markedly improve isolation between channels.

Both  $V^+$  and  $V^-$  should be bypassed to ground with  $0.1\mu\text{F}$  ceramic capacitors. The leads of the capacitors should be kept as short as possible to minimize

## CMOS RF/Video Multiplexers

series inductance. The bypass capacitors should also be located as physically close to the multiplexer as possible.

### Input Capacitance

The capacitance of an input channel changes from about 5pF in the OFF state to around 45pF when ON. To minimize bandwidth reduction due to input capacitance, the inputs should be driven from a low impedance source. A 75Ω source impedance results in a 3dB frequency response of 47MHz when loaded with 45pF.

### Charge Injection

With ±15V supplies, injected charge from the internal switch drive circuitry to the analog signal path is typically 110 picocoulombs. As shown in the Typical Characteristics graph, charge injection is relatively independent of the analog signal voltage.

### Insertion Loss

With ±15V supplies and ±2V video signals, the 120Ω typical ON resistance of the MAX310/311 results in -8.3dB insertion loss when used with a 75Ω output load. This insertion loss is virtually constant from DC to over 20MHz.

**TABLE 2. PHASE SHIFT AT 10MHz**

INPUT CHANNEL MAX311	OUTPUT - INPUT PHASE SHIFT	
	R <sub>L</sub> = 10kΩ	R <sub>L</sub> = 75Ω
S <sub>1</sub>	-22°	-12°
S <sub>2</sub>	-21°	-11.5°
S <sub>3</sub>	-20°	-11.5°
S <sub>4</sub>	-20°	-11.2°
S <sub>5</sub>	-20°	-11.2°
S <sub>6</sub>	-20.5°	-11.4°
S <sub>7</sub>	-20.7°	-11.5°
S <sub>8</sub>	-20.4°	-11.5°

Test Conditions: V<sup>+</sup> = +15V, V<sup>-</sup> = -15V, V<sub>IN</sub> = 1.25V<sub>RMS</sub> at 10MHz. OFF inputs terminated with 75Ω.

### Operation with Power Supplies Other Than ±15V

Table 3 shows how different power supply voltages affect the MAX310/311's analog signal range and channel ON resistance (R<sub>ON</sub>). This data is also shown graphically in the Typical Operating Characteristics section. Since N-channel FETs are used in the switches, R<sub>ON</sub> is determined by the voltage difference between V<sup>+</sup> and the input voltage. For lowest R<sub>ON</sub>, use a negative power supply (V<sup>-</sup>) equal to the most negative input voltage, and a positive power supply (V<sup>+</sup>) 30V above the negative supply. For example, if only positive signals need to be switched, use 0V for V<sup>-</sup> and +30V for V<sup>+</sup> to achieve minimum R<sub>ON</sub>. This also reduces ON resistance variation with analog signal level and input voltage dependent changes in insertion loss, which minimizes differential gain errors.

The digital input thresholds are nearly independent of V<sup>+</sup>, remaining near +1.4V over the entire operating supply voltage range of ±4.5V to ±18V (9V to 36V single supply).

The MAX310/311 switching delay times vary somewhat with power supply voltage. Access time (see Figure 2) increases from typically 600ns with ±15V supplies to 3μs with ±5V supplies. Other switching times are also proportionately longer with ±5V power supplies.

### Propagation Delay and Phase Shift

In Table 2, the typical phase shift for each channel is shown. Note that both the phase shift and the phase shift difference between channels are reduced with a 75Ω output load. At 10MHz, the channel-to-channel match is better than 1° with a 75Ω load and improves as the frequency is reduced.

Phase shift measurements for the MAX311 are similar to those in Table 2. The data for the MAX310 channels 1 to 4 corresponds to MAX311 channels 1A to 4A, Channels 5 to 8 correspond to MAX311 channels 1B to 4B.

**TABLE 3. SIGNAL RANGE AND R<sub>ON</sub> vs SUPPLY VOLTAGE**

SUPPLY VOLTAGE		SIGNAL RANGE	TYPICAL R <sub>ON</sub> AT V <sub>IN</sub>	
V <sup>-</sup>	V <sup>+</sup>		NEGATIVE	POSITIVE
-15	+15V	-15V to +12V	104Ω at -10V	265Ω at +10V
		-5V to +5V	115Ω at -5V	150Ω at +5V
GND	+15V	0V to +12V	120Ω at 0V	150Ω at +5V
GND	+30V	0V to +27V	90Ω at 0V	100Ω at +5V
-5V	+5V	-5V to +2V	240Ω at -2V	480Ω at +2V
-10V	+10V	-10V to +7V	140Ω at -5V	220Ω at +5V
-5V	+15V	-5V to +12V	115Ω at -5V	150Ω at +5V

# CMOS RF/Video Multiplexers

MAX310/311

## OFF Isolation Measurements

Figure 3 is used to test and specify the MAX310/311's single channel OFF isolation. In the case illustrated, channel S<sub>1</sub> has signal applied while all other inputs are grounded through 75Ω except for the ON channel (S<sub>2</sub> in Figure 3). This is shorted directly to ground to prevent pickup from external wiring. Each channel meets this test to an isolation limit of -66dB at 5MHz.

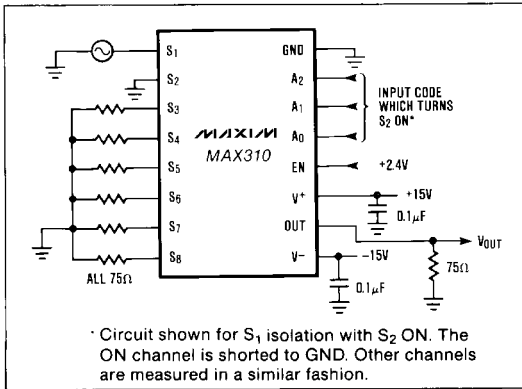


Figure 3. Single Channel OFF Isolation (ISO<sub>SC</sub>) Test Circuit

Figure 4 shows the test circuit for OFF isolation with all channels driven. The impedance of the source connected to the selected channel (in this case, S<sub>4</sub>) significantly affects feedthrough. With a 75Ω source impedance the typical measured OFF isolation is -58dB at 5MHz. This increases to -63dB if the source impedance is reduced to 10Ω or less. OFF isolation also increases with decreasing frequency. For example, when the frequency is reduced from 10MHz to 1MHz the isolation improvement is typically -20dB. Figure 5 shows a similar circuit for testing all-channel isolation with the multiplexer disabled (EN low).

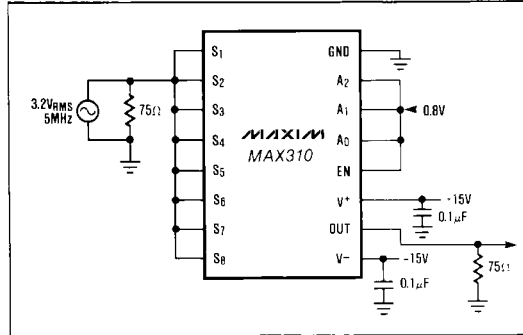


Figure 4. All Channel OFF Isolation (ISO<sub>AC</sub>) Test Circuit (MUX Disabled)

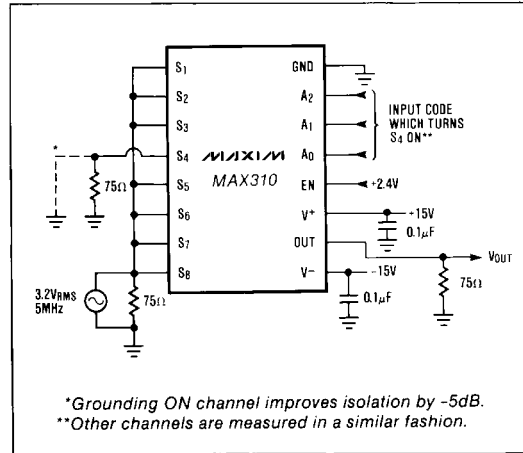
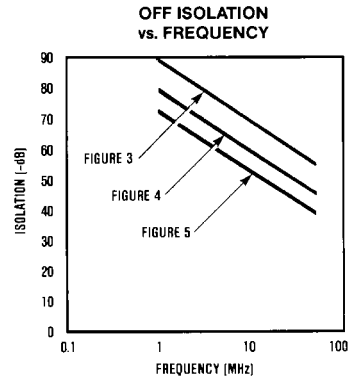
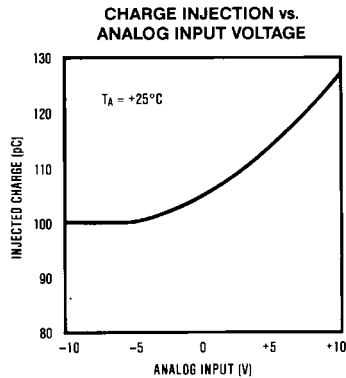
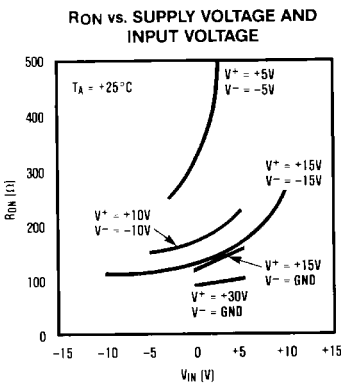


Figure 5. All Channel OFF Isolation (ISO<sub>AC</sub>) Test Circuit (MUX Enabled)

## Typical Operating Characteristics



# CMOS RF/Video Multiplexers

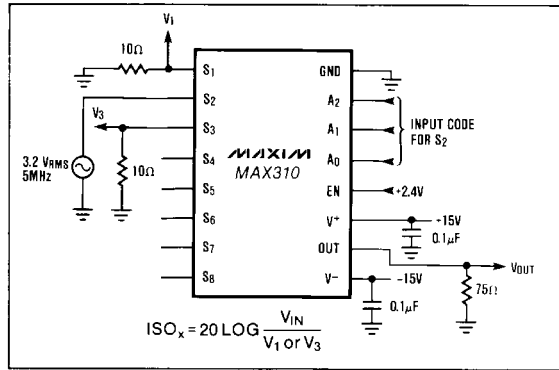


Figure 6. Adjacent Channel Crosstalk ( $ISO_x$ ) Test Circuit

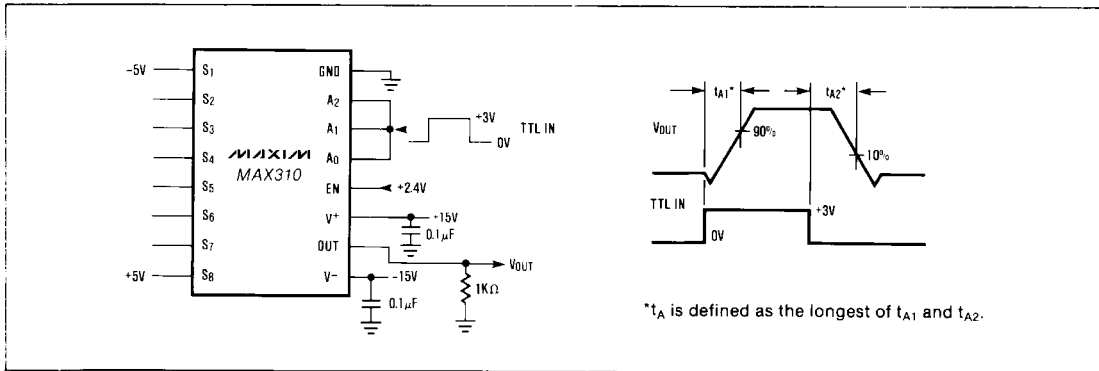


Figure 7. Access Time ( $t_A$ ) Test Circuit.

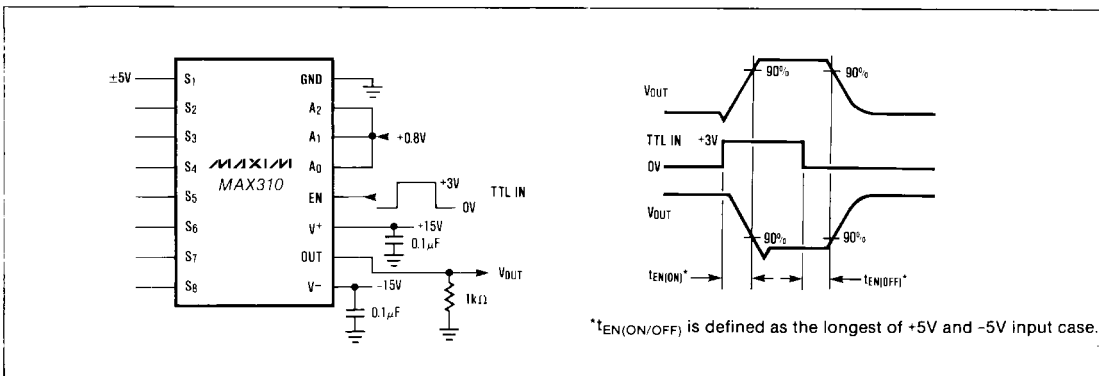


Figure 8. Enable Delay ( $t_{EN(ON/OFF)}$ ) Test Circuit.

# CMOS RF/Video Multiplexers

MAX310/311

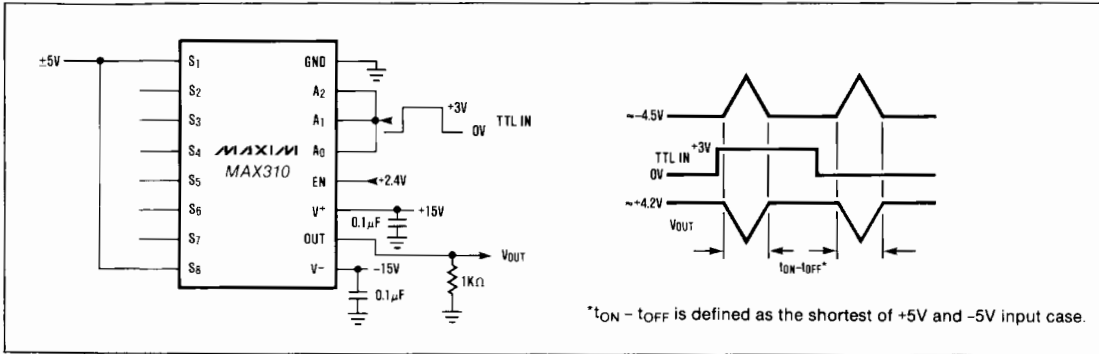


Figure 9. Break-Before-Make Delay ( $t_{ON}-t_{OFF}$ ) Test Circuit.

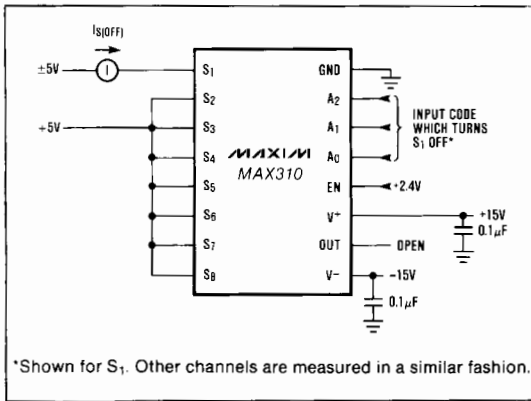


Figure 10. OFF Input Leakage Current Test Circuit.

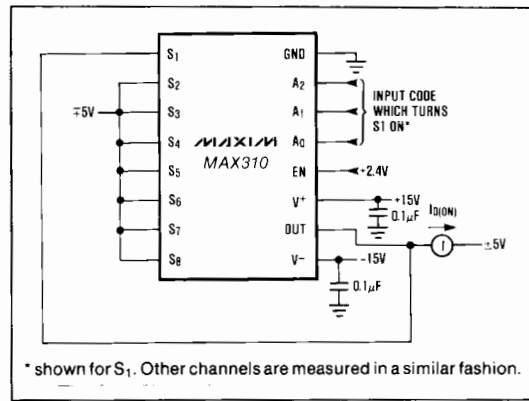


Figure 12. ON Output Leakage Current Test Circuit.

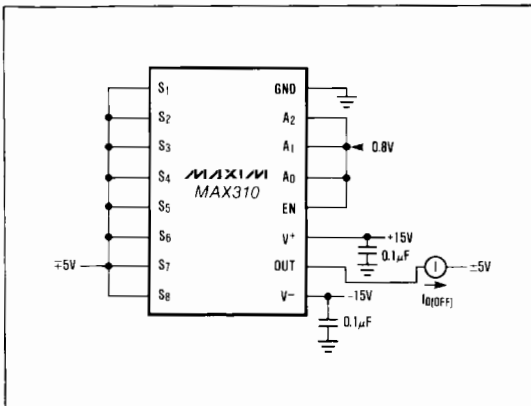


Figure 11. OFF Output Leakage Current Test Circuit.

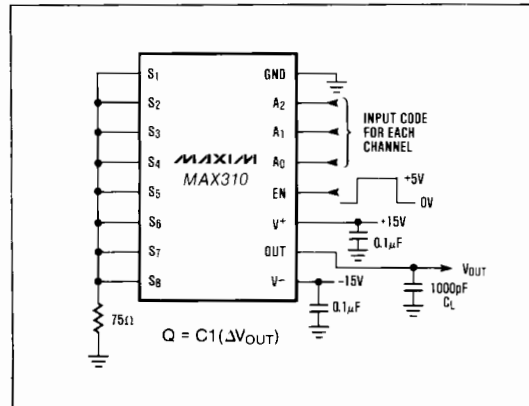


Figure 13. Charge Injection (Q) Test Circuit



## Стандарт Электрон Связь

Мы молодая и активно развивающаяся компания в области поставок электронных компонентов. Мы поставляем электронные компоненты отечественного и импортного производства напрямую от производителей и с крупнейших складов мира.

Благодаря сотрудничеству с мировыми поставщиками мы осуществляем комплексные и плановые поставки широчайшего спектра электронных компонентов.

Собственная эффективная логистика и склад в обеспечивает надежную поставку продукции в точно указанные сроки по всей России.

Мы осуществляем техническую поддержку нашим клиентам и предпродажную проверку качества продукции. На все поставляемые продукты мы предоставляем гарантию .

Осуществляем поставки продукции под контролем ВП МО РФ на предприятия военно-промышленного комплекса России , а также работаем в рамках 275 ФЗ с открытием отдельных счетов в уполномоченном банке. Система менеджмента качества компании соответствует требованиям ГОСТ ISO 9001.

Минимальные сроки поставки, гибкие цены, неограниченный ассортимент и индивидуальный подход к клиентам являются основой для выстраивания долгосрочного и эффективного сотрудничества с предприятиями радиоэлектронной промышленности, предприятиями ВПК и научно-исследовательскими институтами России.

С нами вы становитесь еще успешнее!

### Наши контакты:

**Телефон:** +7 812 627 14 35

**Электронная почта:** [sales@st-electron.ru](mailto:sales@st-electron.ru)

**Адрес:** 198099, Санкт-Петербург,  
Промышленная ул, дом № 19, литера Н,  
помещение 100-Н Офис 331