

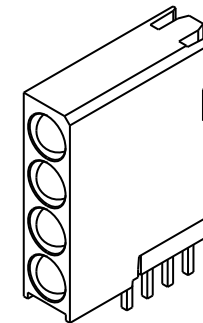
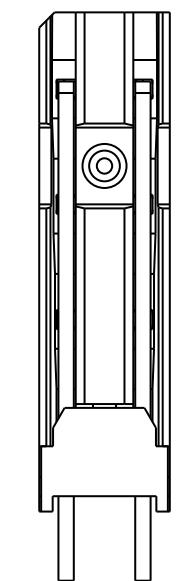
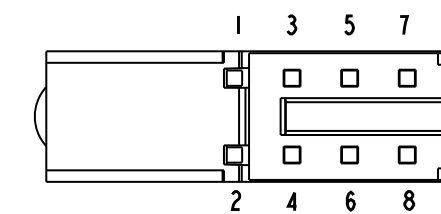
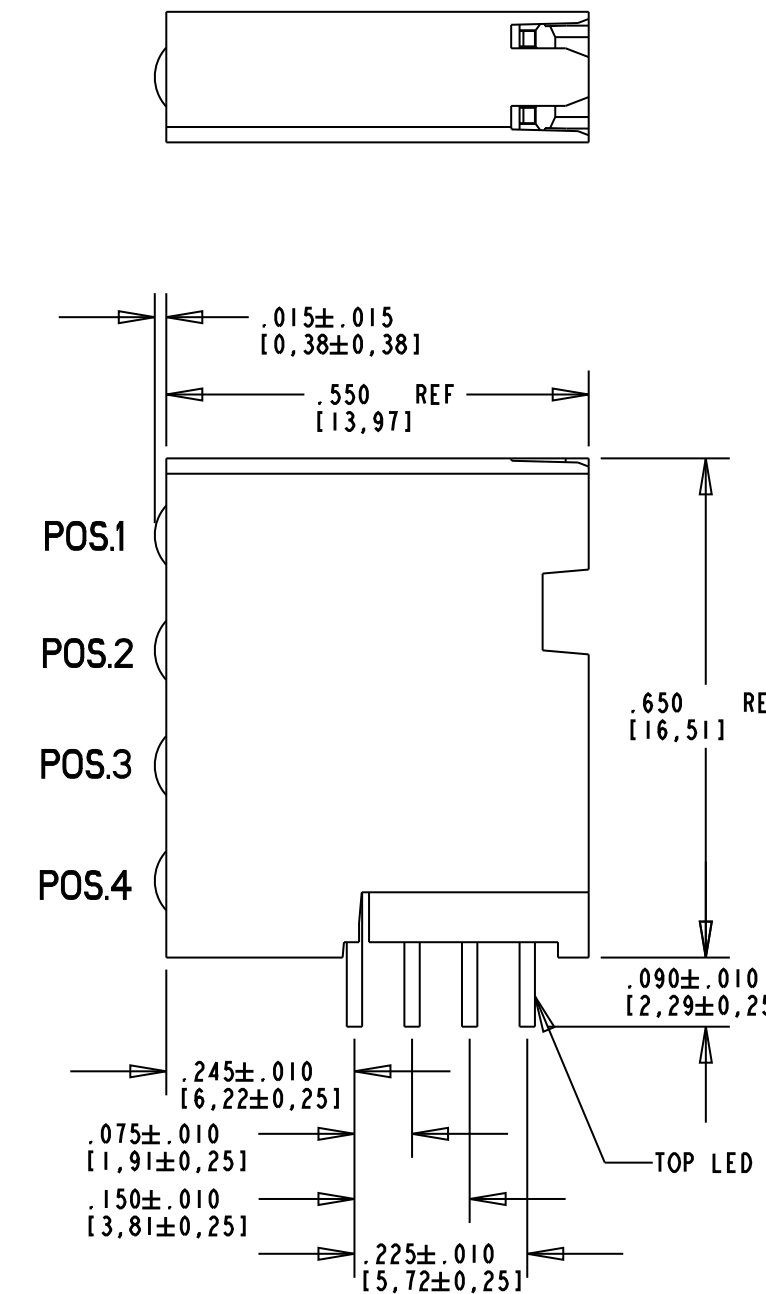
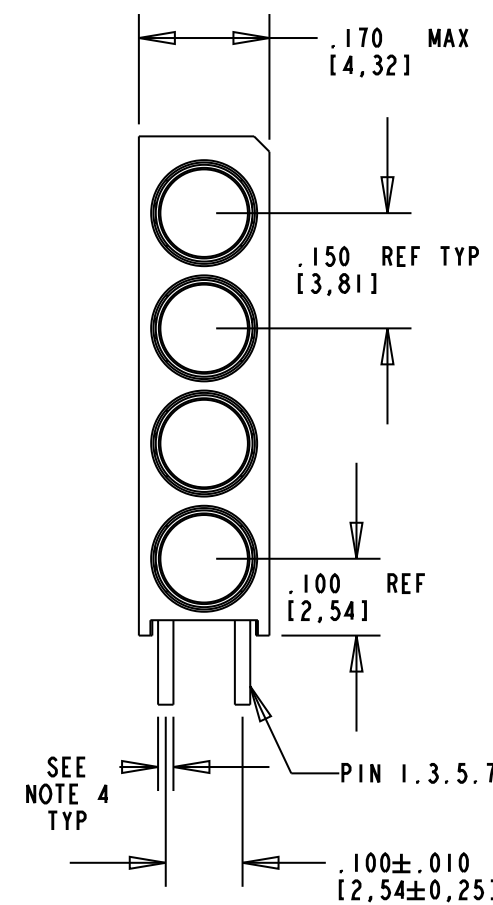
| PART NUMBER   | LED COLOR           |                     |                     |                     |
|---------------|---------------------|---------------------|---------------------|---------------------|
|               | POSITION 1          | POSITION 2          | POSITION 3          | POSITION 4          |
| 568-2231-110F | RED NON-DIFFUSED    | RED NON-DIFFUSED    | RED NON-DIFFUSED    | ** BLANK **         |
| 568-2231-111F | RED NON-DIFFUSED    | RED NON-DIFFUSED    | RED NON-DIFFUSED    | RED NON-DIFFUSED    |
| 568-2231-131F | RED NON-DIFFUSED    | RED NON-DIFFUSED    | YELLOW NON-DIFFUSED | RED NON-DIFFUSED    |
| 568-2231-310F | RED NON-DIFFUSED    | YELLOW NON-DIFFUSED | RED NON-DIFFUSED    | ** BLANK **         |
| 568-2231-311F | RED NON-DIFFUSED    | YELLOW NON-DIFFUSED | RED NON-DIFFUSED    | RED NON-DIFFUSED    |
| 568-2231-222F | RED NON-DIFFUSED    | GREEN NON-DIFFUSED  | GREEN NON-DIFFUSED  | GREEN NON-DIFFUSED  |
| 568-2231-322F | RED NON-DIFFUSED    | YELLOW NON-DIFFUSED | GREEN NON-DIFFUSED  | GREEN NON-DIFFUSED  |
| 568-2232-110F | GREEN NON-DIFFUSED  | RED NON-DIFFUSED    | RED NON-DIFFUSED    | ** BLANK **         |
| 568-2232-121F | GREEN NON-DIFFUSED  | RED NON-DIFFUSED    | GREEN NON-DIFFUSED  | RED NON-DIFFUSED    |
| 568-2232-131F | GREEN NON-DIFFUSED  | RED NON-DIFFUSED    | YELLOW NON-DIFFUSED | RED NON-DIFFUSED    |
| 568-2232-210F | GREEN NON-DIFFUSED  | GREEN NON-DIFFUSED  | RED NON-DIFFUSED    | ** BLANK **         |
| 568-2232-222F | GREEN NON-DIFFUSED  | GREEN NON-DIFFUSED  | GREEN NON-DIFFUSED  | GREEN NON-DIFFUSED  |
| 568-2232-323F | GREEN NON-DIFFUSED  | YELLOW NON-DIFFUSED | GREEN NON-DIFFUSED  | YELLOW NON-DIFFUSED |
| 568-2233-120F | YELLOW NON-DIFFUSED | RED NON-DIFFUSED    | GREEN NON-DIFFUSED  | ** BLANK **         |
| 568-2233-322F | YELLOW NON-DIFFUSED | YELLOW NON-DIFFUSED | GREEN NON-DIFFUSED  | GREEN NON-DIFFUSED  |
| 568-2233-333F | YELLOW NON-DIFFUSED | YELLOW NON-DIFFUSED | YELLOW NON-DIFFUSED | YELLOW NON-DIFFUSED |
| 568-2234-323F | YELLOW / GREEN      | YELLOW NON-DIFFUSED | GREEN NON-DIFFUSED  | YELLOW NON-DIFFUSED |
| 568-2239-999F | BLUE NON-DIFFUSED   | BLUE NON-DIFFUSED   | BLUE NON-DIFFUSED   | BLUE NON-DIFFUSED   |

| ABSOLUTE MAXIMUM RATINGS AT 25°C AMBIENT                  |  | UNITS | RED         | GREEN | YELLOW | Y/G BI-COLOR |            | BLUE |
|---|--|-------|-------------|-------|--------|--------------|------------|------|
|   |  |       |             |       |        | YELLOW       | GREEN      |      |
| POWER DISSIPATION   |  | mW    | 100         | 100   | 60     | 60           | 100        | 140  |
| FORWARD DC CURRENT  |  | mA    | 30          | 30    | 20     | 20           | 30         | 30   |
| LINEAR DERATION FROM 50°C / 25°C FOR BLUE                 |  | mA/°C | 0.4         | 0.4   | 0.25   | 0.25         | 0.4        | 0.32 |
| PEAK FORWARD CURRENT (1/10 DUTY CYCLE, 0.1ms PULSE WIDTH) |  | mA    | 120         | 120   | 80     | 80           | 120        | 100  |
| OPERATING TEMPERATURE                                     |  | °C    | -55 TO +100 |       |        |              | -35 TO +85 |      |
| STORAGE TEMPERATURE                                       |  | °C    | -55 TO +100 |       |        |              | -35 TO +85 |      |
| LEAD SOLDERING TEMPERATURE, 5 SEC, 1/16" FROM BODY        |  | °C    | 260         |       |        |              |            |      |

| REV | ECN NO | REVISIONS   | DRN | CKD  | APP  | DATE     |
|-----|--------|---|-----|------|------|----------|
| A   |        | NEW RELEASE   | TWC | TC   | N.O. | 7-7-05   |
| B   |        | ADDED P/N 568-2239-999F, ADDED ABSOLUTE MAX. RATINGS, CHANGED NOTE 4, REMOVED NOTE 6, NOTE 6 WAS NOTE 7, ADDED NOTE 7, ADDED RoHS COMPLIANT SPECIFICATION NOTE. | KLJ | N.O. | MES  | 12-17-07 |
| C   |        | UPDATED BLUE LED SPECS  | KLJ | NO   | MES  | 2-7-08   |
| D   |        | ADDED P/N 568-2233-322F   | AJF | KLJ  | NO   | 8-24-10  |

| OPERATING CHARACTERISTICS AT 25°C AMBIENT |           |     |     |     |        |                               |
|---|-----------|-----|-----|-----|--------|-------------------------------|
| CHARACTERISTICS                           | LED COLOR | MIN | TYP | MAX | UNITS  | TEST CONDITIONS               |
| LUMINOUS INTENSITY                        | RED       | 8.7 | 29  |     | mcd    | I <sub>r</sub> = 10 mA        |
|   | GREEN     | 32  | 50  |     |        |                               |
|   | YELLOW    | 10  |     | 50  |        | I <sub>r</sub> = 20 mA        |
|   | BLUE      | 110 |     | 310 |        |                               |
| FORWARD VOLTAGE                           | RED       |     | 2.0 | 2.8 | V      | I <sub>r</sub> = 20 mA        |
|   | GREEN     |     | 2.1 | 2.8 |        |                               |
|   | YELLOW    |     | 2.1 | 2.8 |        |                               |
|   | BLUE      |     | 3.5 | 4.0 |        |                               |
| REVERSE CURRENT                           | RED       |     | 100 |     | µA     | V <sub>r</sub> = 5 V          |
|   | GREEN     |     | 100 |     |        |                               |
|   | YELLOW    |     | 100 |     |        |                               |
|   | BLUE      |     |     | 10  |        |                               |
| DOMINANT WAVELENGTH                       | RED       |     |     |     | nm     |                               |
|   | GREEN     |     |     |     |        |                               |
|   | YELLOW    |     |     |     |        |                               |
|   | BLUE      | 460 | 464 | 480 |        |                               |
| PEAK WAVELENGTH                           | RED       |     | 635 |     | nm     |                               |
|   | GREEN     |     | 565 |     |        |                               |
|   | YELLOW    |     | 585 |     |        |                               |
|   | BLUE      |     | 470 |     |        |                               |
| VIEWING ANGLE                             | ALL       |     | 45  |     | Degree |                               |
| CAPACITANCE                               | RED       |     | 20  |     | pf     | V <sub>r</sub> = 0, f = 1 MHz |
|   | GREEN     |     | 35  |     |        |                               |
|   | YELLOW    |     | 15  |     |        |                               |
|   | BLUE      |     |     |     |        |                               |

| LED COLOR = YELLOW / GREEN BI-COLOR       |        |     |     |     |        |                               |
|---|--------|-----|-----|-----|--------|-------------------------------|
| OPERATING CHARACTERISTICS AT 25°C AMBIENT |        |     |     |     |        |                               |
| CHARACTERISTICS                           | COLOR  | MIN | TYP | MAX | UNITS  | TEST CONDITIONS               |
| LUMINOUS INTENSITY                        | GREEN  | 2.5 | 6.3 |     | mcd    | I <sub>r</sub> = 10 mA        |
|   | YELLOW | 2.5 | 4.3 |     |        |                               |
| FORWARD VOLTAGE                           | GREEN  |     | 2.1 | 2.8 | V      | I <sub>r</sub> = 20 mA        |
| PEAK WAVELENGTH                           | GREEN  |     | 565 |     | nm     |                               |
|   | YELLOW |     | 585 |     |        |                               |
| DOMINANT WAVELENGTH                       | GREEN  |     | 569 |     | nm     | MEASURED ON EXELTRON 2001     |
|   | YELLOW | 583 |     | 589 |        |                               |
| VIEWING ANGLE                             |        |     | 80  |     | Degree |                               |
| CAPACITANCE                               | GREEN  |     | 35  |     | pf     | V <sub>r</sub> = 0, f = 1 MHz |
|   | YELLOW |     | 15  |     |        |                               |



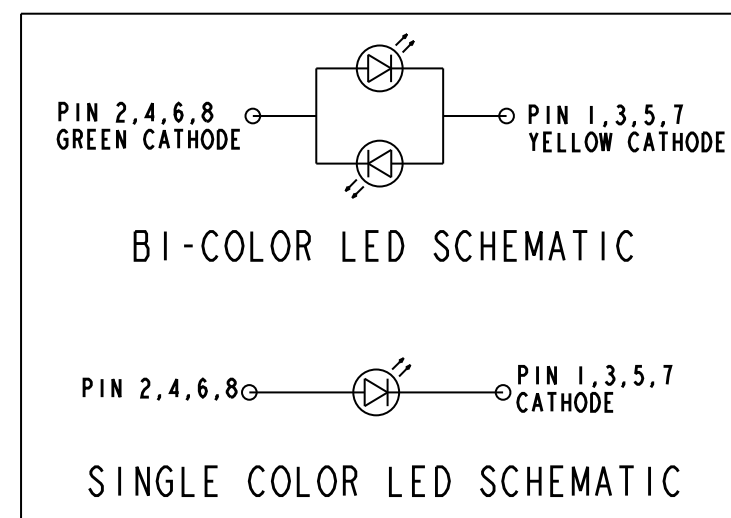
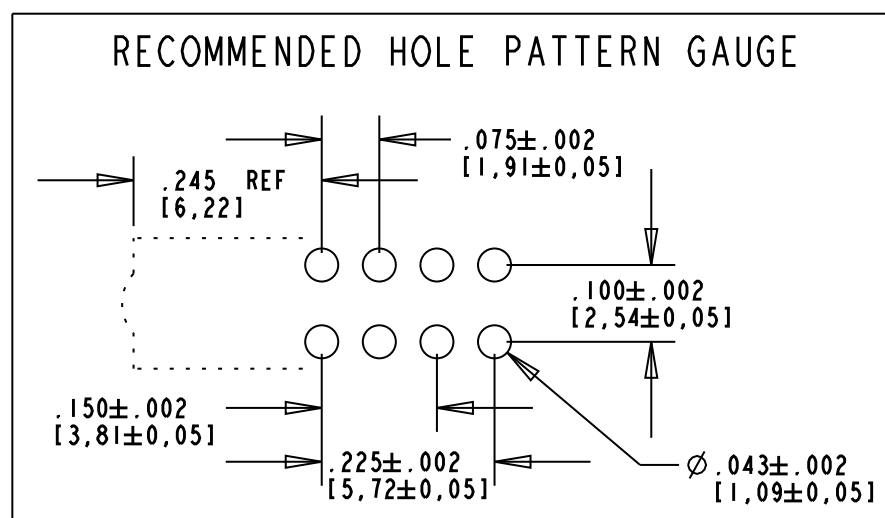
SCALE 2.000

RoHS Compliant 568-223X-XXXX  
Thru hole Quad-level CBI

Part Numbers with the "F" suffix ending are RoHS Compliant. For example: 568-2231-111F. The bag packaging is marked with "RoHS Compliant" label or equivalent markings. Parts can be wave soldered, dip soldered or hand soldered using typical lead-free soldering process with max 260°C temp. for 5 sec.

NOTES:

- LEADS TO FIT INTO HOLES SPACED AS PER HOLE PATTERN.
- LEADS TO BE FREE OF DEFORMATION AFTER BENDING AND CUTTING.
- LED LEAD DIMENSIONS SHOWN ARE MEASURED AT HOUSING EXIT
- LED LEAD THICKNESS:  
BLUE = .022 MAX/.016 MIN SO.  
OTHER = .018 X .016
- WHEN A ZERO APPEARS IN THE LAST 3 DIGITS OF THE PART NUMBER NO LAMP IS REQUIRED IN THAT POSITION.
- DIALIGHT PART NUMBERS: 568-223X-XXXX
- THIS ASSEMBLY CONTAINS ELECTROSTATIC DISCHARGE SENSITIVE DEVICES (ESDS). MAINTAIN ALL PRECAUTIONARY MEASURES DURING ASSEMBLY, HANDLING AND STORAGE IN ACCORDANCE WITH IPC-A-610.



ATTENTION:  
OBSERVE PRECAUTIONS FOR  
HANDLING ELECTROSTATIC  
SENSITIVE DEVICES

|   |  |               |
|---|--|---------------|
| THIS DRAWING AND THE CONTENTS HEREIN ARE CONFIDENTIAL AND THE SOLE PROPERTY OF DIALIGHT. REPRODUCTION OF THIS DRAWING OR CONSTRUCTION OF ANY PARTS WITHIN THIS DRAWING ARE FORBIDDEN WITHOUT THE WRITTEN CONSENT OF DIALIGHT. |  |               |
| SCALE: 4.000  | DRAWING NUMBER                                     | REV           |
| ALL DIM'S IN: INCHES (MM)   | C-17263  | D             |
| TOLERANCES: UNLESS OTHERWISE SPECIFIED  | TITLE 4x1 CBI BLOCK - .150 PITCH<br>RoHS COMPLIANT |               |
| FRACTIONS: ±1/64  | MATERIAL   |               |
| DECIMALS (.XX): ±.01  | Dialight   |               |
| DECIMALS (.XXX): ±.005  | 1501 ROUTE 34 SOUTH<br>FARMINGDALE, NJ 07727       |               |
| DECIMALS (.XXXX): ±.0005  | FINISH:  |               |
| ANGLES: ±1°   | FSCM 83330   |               |
|   | SHEET 1 OF 1                                       | FAMILY TABLE: |



## Стандарт Электрон Связь

Мы молодая и активно развивающаяся компания в области поставок электронных компонентов. Мы поставляем электронные компоненты отечественного и импортного производства напрямую от производителей и с крупнейших складов мира.

Благодаря сотрудничеству с мировыми поставщиками мы осуществляем комплексные и плановые поставки широчайшего спектра электронных компонентов.

Собственная эффективная логистика и склад в обеспечивает надежную поставку продукции в точно указанные сроки по всей России.

Мы осуществляем техническую поддержку нашим клиентам и предпродажную проверку качества продукции. На все поставляемые продукты мы предоставляем гарантию .

Осуществляем поставки продукции под контролем ВП МО РФ на предприятия военно-промышленного комплекса России , а также работаем в рамках 275 ФЗ с открытием отдельных счетов в уполномоченном банке. Система менеджмента качества компании соответствует требованиям ГОСТ ISO 9001.

Минимальные сроки поставки, гибкие цены, неограниченный ассортимент и индивидуальный подход к клиентам являются основой для выстраивания долгосрочного и эффективного сотрудничества с предприятиями радиоэлектронной промышленности, предприятиями ВПК и научно-исследовательскими институтами России.

С нами вы становитесь еще успешнее!

### Наши контакты:

**Телефон:** +7 812 627 14 35

**Электронная почта:** [sales@st-electron.ru](mailto:sales@st-electron.ru)

**Адрес:** 198099, Санкт-Петербург,  
Промышленная ул, дом № 19, литера Н,  
помещение 100-Н Офис 331