

DATA SHEET

# SKY13587-378LF: 20 MHz to 6.0 GHz GaAs SPDT Switch

## Applications

- WLAN 802.11 a/b/g/n networks
- Low power transmit/receive systems
- Industrial IoT
- Lighting
- Smart energy
- Connected home

## Features

- Positive voltage control (0 and 1.8 V to 0 and 5.0 V)
- Broadband frequency range: 20 MHz to 6.0 GHz
- Very low insertion loss: 0.35 dB typical @ 2.45 GHz
- High isolation: 24 dB typical @ 2.45 GHz
- Excellent linearity performance:  $IP0.5dB = +30$  dBm
- Operating temperature range:  $-40$  °C to  $+105$  °C
- Ultra-miniature, MLPD (6-pin,  $1 \times 1 \times 0.5$  mm) package (MSL1, 260 °C per JEDEC J-STD-020)



Skyworks Green™ products are compliant with all applicable legislation and are halogen-free. For additional information, refer to *Skyworks Definition of Green™*, document number SQ04-0074.

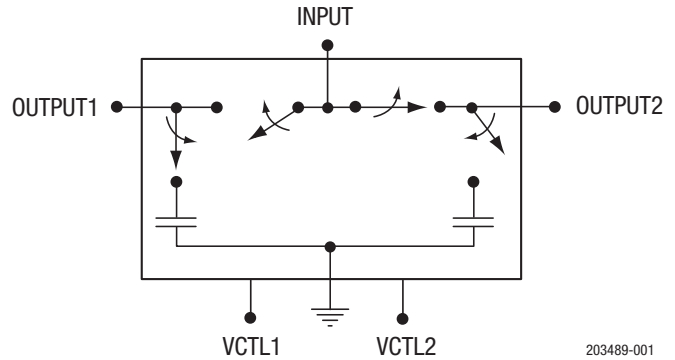


Figure 1. SKY13587-378LF Block Diagram

## Description

The SKY13587-378LF is a pHEMT GaAs FET I/C switch. The switch can be used in transmit/receive applications by connecting the RF common port (INPUT, pin 5) to either the OUTPUT1 or OUTPUT2 port (pin 1 or 3, respectively) using a low-loss path (i.e., a positive voltage applied to either VCTL1 or VCTL2 pins). The switch is “reflective short” on the isolated port.

The switch is manufactured in a compact,  $1 \times 1 \times 0.5$  mm, 6-pin exposed pad plastic Micro Lead-frame Package Dual (MLPD) package.

A functional block diagram is shown in Figure 1. The pin configuration and package are shown in Figure 2. Signal pin assignments and functional pin descriptions are provided in Table 1.

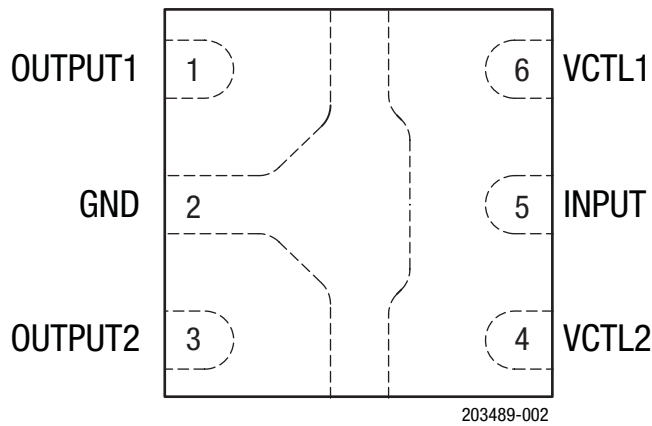


Figure 2. SKY13587-378LF Pinout (Top View)

**Table 1. SKY13587-378LF Signal Descriptions**

Pin	Name	Description	Pin	Name	Description
1	OUTPUT1	RF port (must be DC blocked)	4	VCTL2	DC control voltage
2	GND	Ground	5	INPUT	RF port (must be DC blocked)
3	OUTPUT2	RF port (must be DC blocked)	6	VCTL1	DC control voltage

### Electrical and Mechanical Specifications

The absolute maximum ratings of the SKY13587-378LF are provided in Table 2. The recommended operating conditions are specified in Table 3, and electrical specifications are provided in Table 4.

Typical performance characteristics of the SKY13587-378LF are illustrated in Figures 3 through 9.

The state of the SKY13587-378LF is determined by the logic provided in Table 5.

**Table 2. SKY13587-378LF Absolute Maximum Ratings<sup>1</sup>**

Parameter	Symbol	Minimum	Maximum	Units
Input power:	PIN			
>500 MHz, 5 V, CW			+32	dBm
>500 MHz, 2.7 V, CW			+31	dBm
802.11g, 54 Mbps, 64 QAM, 2.4 to 2.5 GHz			+26	dBm
802.11g, 54 Mbps, 64 QAM, 5.2 to 5.8 GHz			+25	dBm
Storage temperature	TSTG	-65	+150	°C
Operating temperature	TOP	-40	+105	°C

<sup>1</sup> Exposure to maximum rating conditions for extended periods may reduce device reliability. There is no damage to device with only one parameter set at the limit and all other parameters set at or below their nominal value. Exceeding any of the limits listed here may result in permanent damage to the device.

**ESD HANDLING:** *Although this device is designed to be as robust as possible, electrostatic discharge (ESD) can damage this device. This device must be protected at all times from ESD when handling or transporting. Static charges may easily produce potentials of several kilovolts on the human body or equipment, which can discharge without detection. Industry-standard ESD handling precautions should be used at all times.*

**Table 3. SKY13587-378LF Recommended Operating Conditions**

Parameter	Symbol	Min	Typ	Max	Units
Frequency	f	0.02		6.0	GHz
Control voltage:					
low	VCTL_L	0		0.2	V
high	VCTL_H	1.8		5.0	V
Operating temperature	TOP		+25		°C

**Table 4. SKY13587-378LF Electrical Specifications<sup>1</sup>**  
**(V<sub>CTL</sub> = 0 V and +2.7 V, T<sub>OP</sub> = +25 °C, P<sub>IN</sub> = 0 dBm, Characteristic Impedance [Z<sub>0</sub>] = 50 Ω, Unless Otherwise Noted)**

Parameter	Symbol	Test Condition	Min	Typ	Max	Units
Frequency	f		0.02		6.0	GHz
Insertion loss	IL	0.02 to 3.0 GHz		0.35	0.50	dB
		3.0 to 6.0 GHz		0.50	0.65	dB
Isolation	ISO	0.02 to 3.0 GHz	22	24		dB
		3.0 to 6.0 GHz	22	26		dB
Return loss (insertion loss state)		0.02 to 3.0 GHz		25		dB
		3.0 to 6.0 GHz		15		dB
Switching characteristics: Rise/fall time		10/90% or 90/10% RF 50% V <sub>CTL</sub> to 90/10% RF		40		ns
				100		ns
Video feedthrough				25		mV
0.5 dB input compression point	IP0.5dB	V <sub>CTL</sub> = 0 and 1.8 V @ 2.45 GHz	+21	+22		dBm
		V <sub>CTL</sub> = 0 and 2.7 V @ 2.45 GHz	+29	+30		dBm
		V <sub>CTL</sub> = 0 and 2.7 V @ 48 MHz		+26		dBm
Input IP3	IIP3	P <sub>IN</sub> = +20 dBm/tone:  V <sub>CTL</sub> = 0 and 1.8 V 2.45 GHz V <sub>CTL</sub> = 0 and 2.7 V @ 2.45 GHz V <sub>CTL</sub> = 1.8 V @ 5.8 GHz V <sub>CTL</sub> = 2.7 V @ 5.8 GHz	+30	+32		dBm
			+46	+50		dBm
				+30		dBm
				+46		dBm
Error vector magnitude	EVM	802.11a, 54 Mbps, P <sub>IN</sub> = <+24 dBm, V <sub>CTL</sub> = 2.7 V		2.5		%
		802.11g, 54 Mbps, P <sub>IN</sub> = <+25.5 dBm, V <sub>CTL</sub> = 2.7 V		2.5		%
Control voltage: Low High	V <sub>CTL_L</sub>		0		0.2	V
	V <sub>CTL_H</sub>		1.8	2.7	5.0	V
Supply current	I <sub>CC</sub>	V <sub>CTL_L</sub> = 0 V		5		μA
		V <sub>CTL_H</sub> = 5 V		5		μA

<sup>1</sup> Performance is guaranteed only under the conditions listed in this table.

### Typical Performance Characteristics

(VCTL = 0 V and +2.7 V, TOP = +25 °C, PIN = 0 dBm, Characteristic Impedance [Zo] = 50 Ω, Blocking Capacitors = 100 pF, Bypass Capacitors = 33 pF, Unless Otherwise Noted)

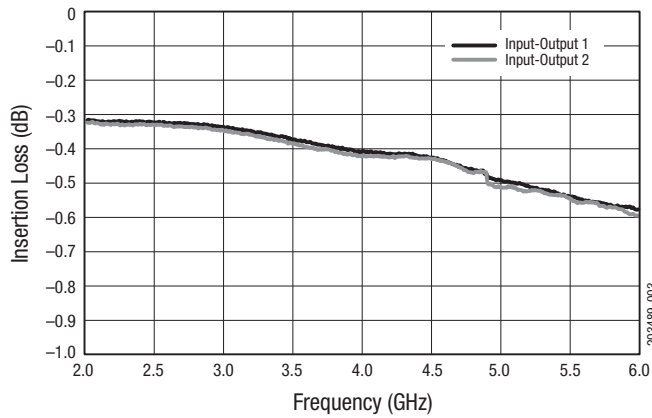


Figure 3. Typical Insertion Loss

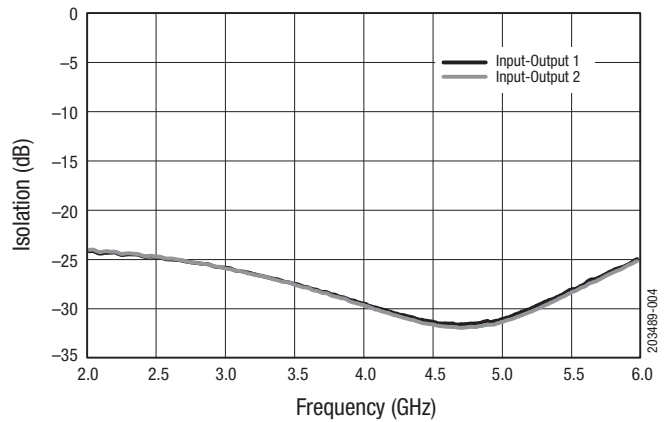


Figure 4. Typical Isolation

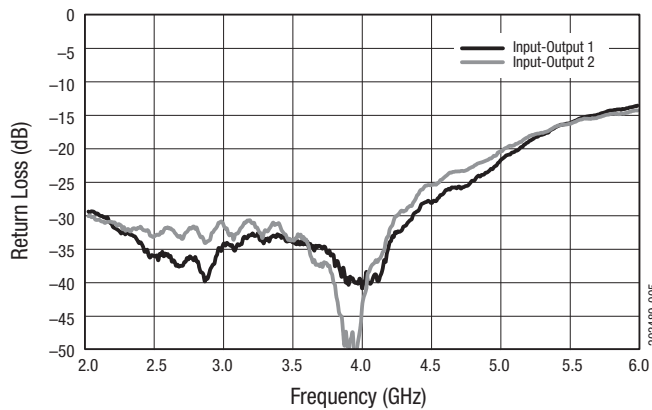


Figure 5. Typical Return Loss

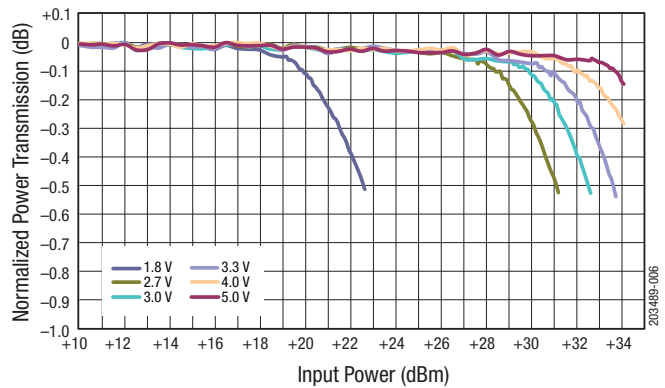


Figure 6. Compression vs Control Voltage (2450 MHz)

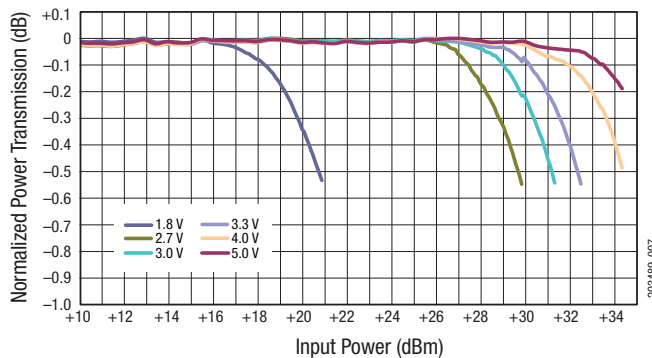


Figure 7. Compression vs Control Voltage (5.2 to 5.8 GHz)

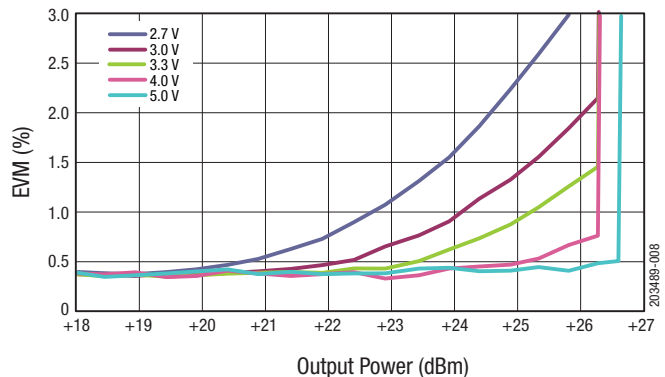


Figure 8. 802.11g EVM vs Output Power @ 2.45 GHz, 54 Mbps

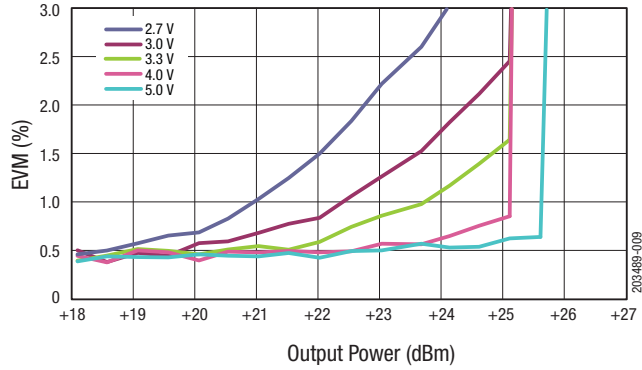


Figure 9. 802.11a EVM vs Output Power, 5.2-5.8 GHz, 54 Mbps

Table 5. SKY13587-378LF Truth Table<sup>1</sup>

VCTL1 (Pin 6)	VCTL2 (Pin 4)	INPUT to OUTPUT1 Path	INPUT to OUTPUT2 Path
1	0	Isolation	Insertion loss
0	1	Insertion loss	Isolation

<sup>1</sup> "1" = +1.8 V to +5 V.  
 "0" = 0 V to +0.2 V.

Any state other than described in this table places the switch into an undefined state. An undefined state will not damage the device.

### Evaluation Board Description

The SKY13587-378LF Evaluation Board is used to test the performance of the SKY13587-378LF SPDT Switch. An Evaluation Board schematic diagram is provided in Figure 10. An assembly drawing for the Evaluation Board is shown in Figure 11.

### Package Dimensions

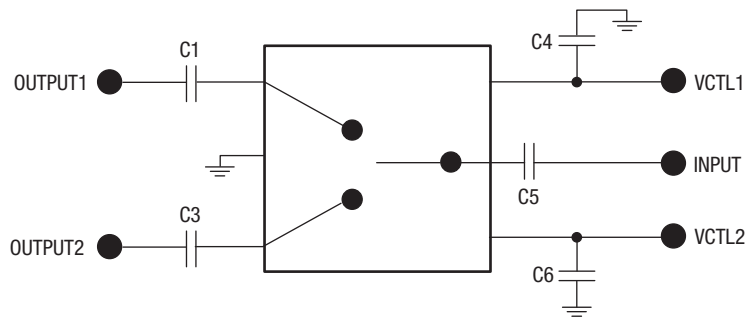
The PCB layout footprint for the SKY13587-378LF is provided in Figure 12. Typical part markings are shown in Figure 13. Package dimensions are shown in Figure 14, and tape and reel dimensions are provided in Figure 15.

### Package and Handling Information

Instructions on the shipping container label regarding exposure to moisture after the container seal is broken must be followed. Otherwise, problems related to moisture absorption may occur when the part is subjected to high temperature during solder assembly.

The SKY13587-378LF is rated to Moisture Sensitivity Level 1 (MSL1) at 260 °C. It can be used for lead or lead-free soldering. For additional information, refer to the Skyworks Application Note, *Solder Reflow Information*, document number 200164.

Care must be taken when attaching this product, whether it is done manually or in a production solder reflow environment. Production quantities of this product are shipped in a standard tape and reel format.

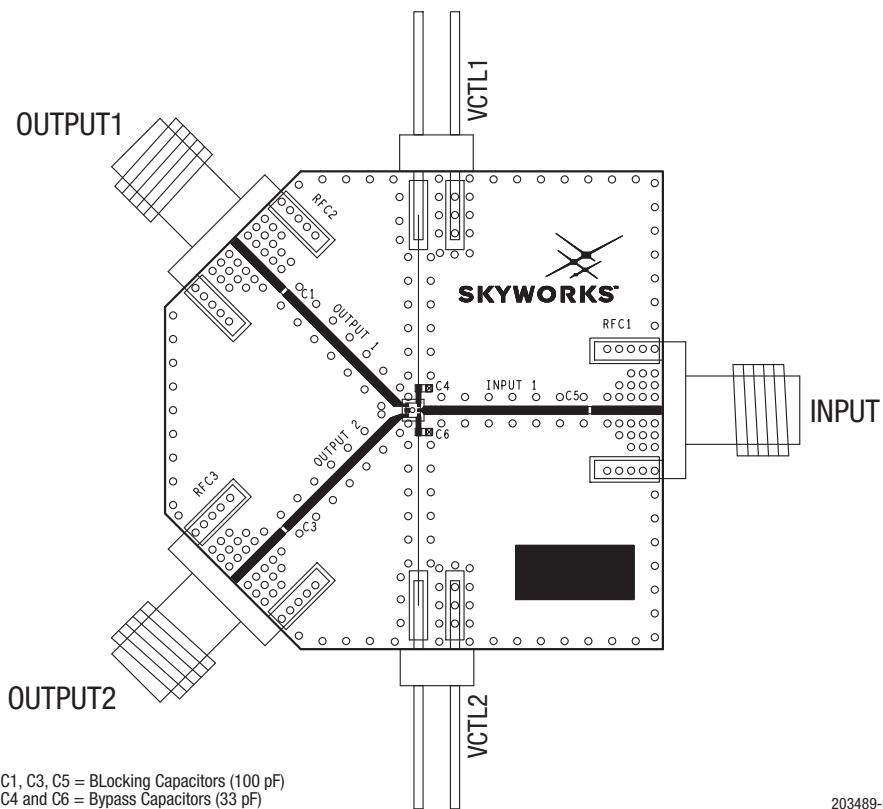


C1, C3, and C5 are DC blocking capacitors (100 pF)  
 C4 and C6 are bypass capacitors (33 pF)

Use 10 nF DC blocking capacitors (C1, C3, and C5)  
 for <50 MHz operation.

203489-010

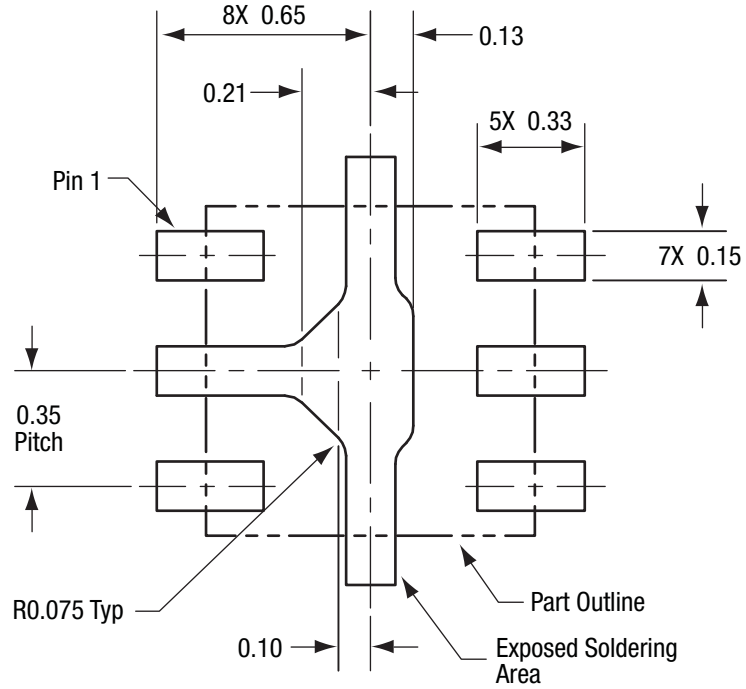
Figure 10. SKY13587-378LF Evaluation Board Schematic



C1, C3, C5 = Blocking Capacitors (100 pF)  
 C4 and C6 = Bypass Capacitors (33 pF)

203489-011

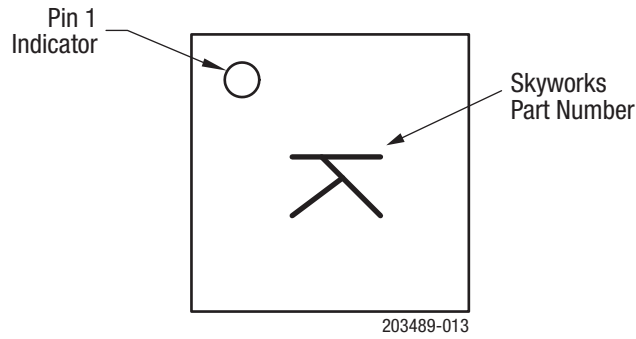
Figure 11. SKY13587-378LF Evaluation Board Assembly Diagram



All measurements in millimeters

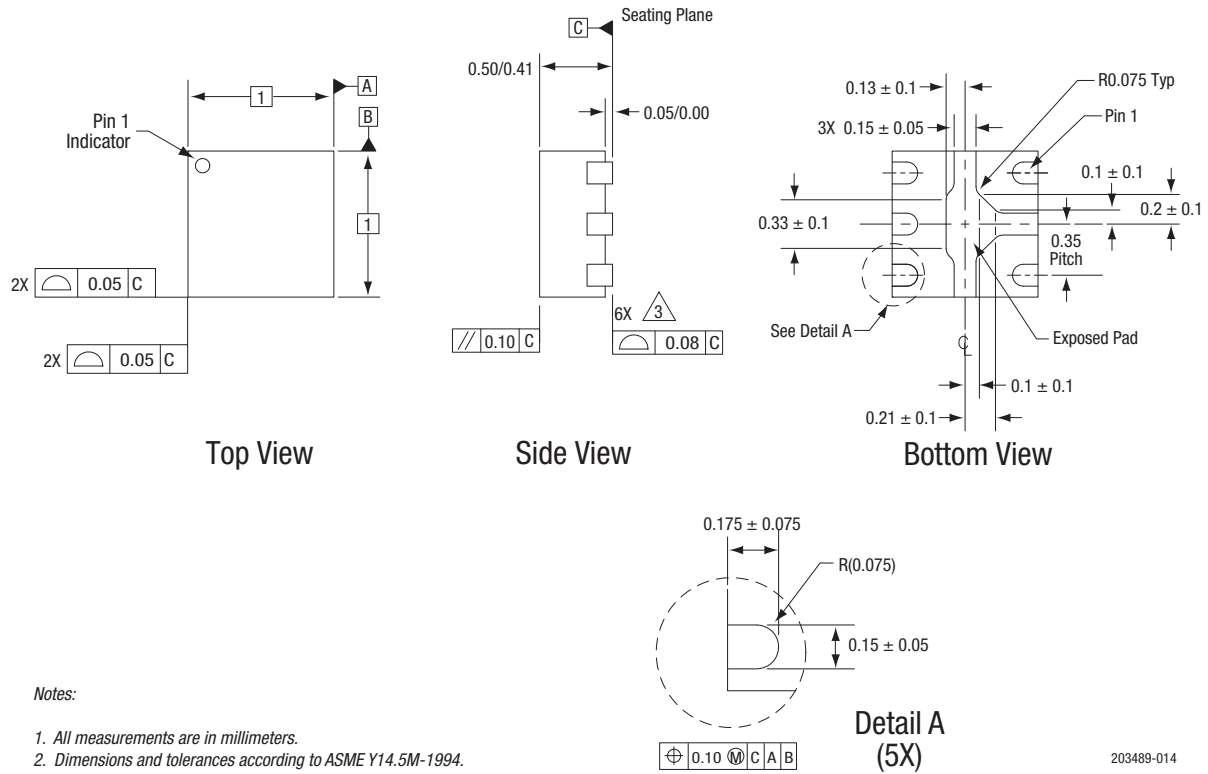
203489-012

**Figure 12. SKY13587-378LF PCB Layout Footprint (Top View)**



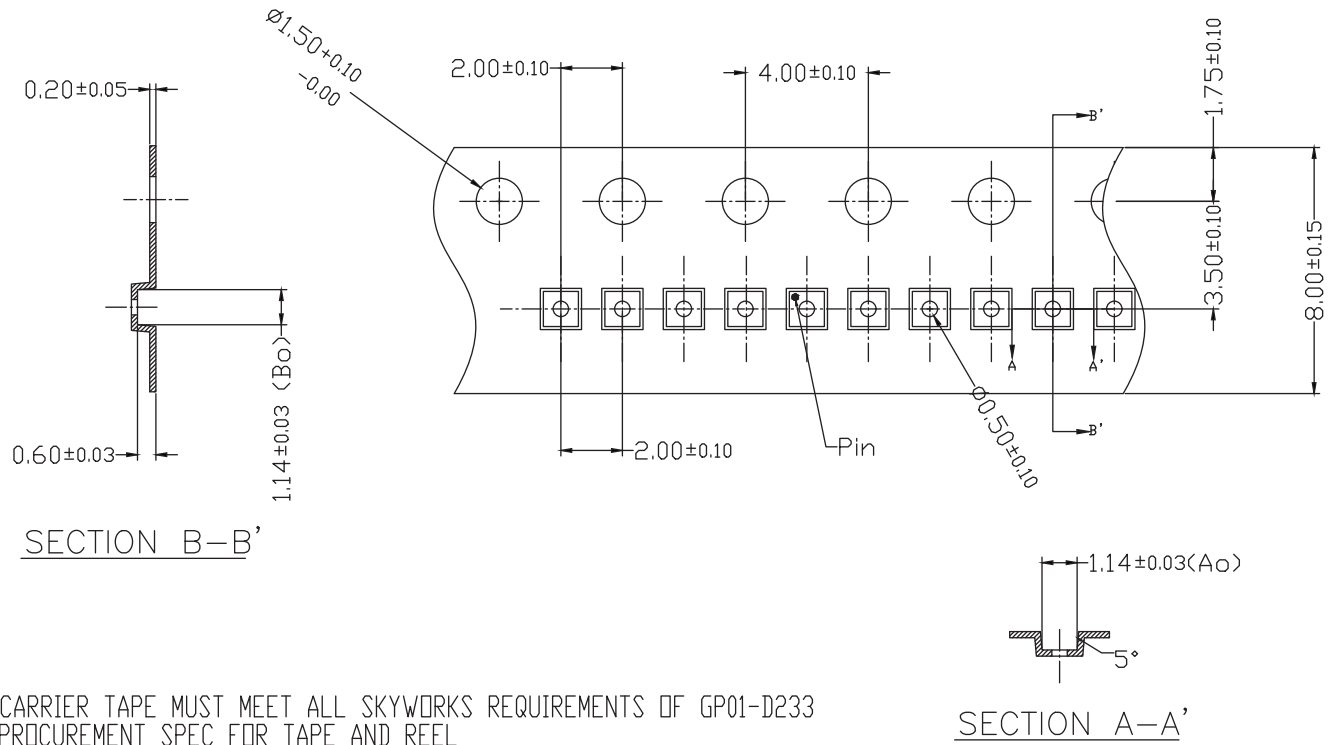
**Figure 13. Typical Part Markings (Top View)**

**DATA SHEET • SKY13587-378LF: SPDT SWITCH**



**Figure 14. SKY13587-378LF Package Dimensions**





1. CARRIER TAPE MUST MEET ALL SKYWORKS REQUIREMENTS OF GP01-D233 PROCUREMENT SPEC FOR TAPE AND REEL
2. CARRIER TAPE SHALL BE BLACK CONDUCTIVE POLYCARBONATE.
3. COVER TAPE SHALL BE TRANSPARENT CONDUCTIVE MATERIAL
4. ESD-SURFACE RESISTIVITY SHALL MEET GP01-D233
5. 10 SPROCKET HOLE PITCH CUMULATIVE TOLERANCE :  $\pm 0.20\text{mm}$
6.  $A_o$  &  $B_o$  MEASURED ON PLANE  $0.30\text{mm}$  ABOVE THE BOTTOM OF THE POCKET.
7. ALL DIMENSIONS ARE IN MILLIMETERS.

203489-015

**Figure 15. SKY13587-378LF Tape and Reel Dimensions**

## Ordering Information

Model Name	Manufacturing Part Number	Evaluation Board Part Number
SKY13587-378LF: SPDT Switch	SKY13587-378LF	SKY13587-378LF-EVB

Copyright © 2015-2017 Skyworks Solutions, Inc. All Rights Reserved.

Information in this document is provided in connection with Skyworks Solutions, Inc. (“Skyworks”) products or services. These materials, including the information contained herein, are provided by Skyworks as a service to its customers and may be used for informational purposes only by the customer. Skyworks assumes no responsibility for errors or omissions in these materials or the information contained herein. Skyworks may change its documentation, products, services, specifications or product descriptions at any time, without notice. Skyworks makes no commitment to update the materials or information and shall have no responsibility whatsoever for conflicts, incompatibilities, or other difficulties arising from any future changes.

No license, whether express, implied, by estoppel or otherwise, is granted to any intellectual property rights by this document. Skyworks assumes no liability for any materials, products or information provided hereunder, including the sale, distribution, reproduction or use of Skyworks products, information or materials, except as may be provided in Skyworks Terms and Conditions of Sale.

THE MATERIALS, PRODUCTS AND INFORMATION ARE PROVIDED “AS IS” WITHOUT WARRANTY OF ANY KIND, WHETHER EXPRESS, IMPLIED, STATUTORY, OR OTHERWISE, INCLUDING FITNESS FOR A PARTICULAR PURPOSE OR USE, MERCHANTABILITY, PERFORMANCE, QUALITY OR NON-INFRINGEMENT OF ANY INTELLECTUAL PROPERTY RIGHT; ALL SUCH WARRANTIES ARE HEREBY EXPRESSLY DISCLAIMED. SKYWORKS DOES NOT WARRANT THE ACCURACY OR COMPLETENESS OF THE INFORMATION, TEXT, GRAPHICS OR OTHER ITEMS CONTAINED WITHIN THESE MATERIALS. SKYWORKS SHALL NOT BE LIABLE FOR ANY DAMAGES, INCLUDING BUT NOT LIMITED TO ANY SPECIAL, INDIRECT, INCIDENTAL, STATUTORY, OR CONSEQUENTIAL DAMAGES, INCLUDING WITHOUT LIMITATION, LOST REVENUES OR LOST PROFITS THAT MAY RESULT FROM THE USE OF THE MATERIALS OR INFORMATION, WHETHER OR NOT THE RECIPIENT OF MATERIALS HAS BEEN ADVISED OF THE POSSIBILITY OF SUCH DAMAGE.

Skyworks products are not intended for use in medical, lifesaving or life-sustaining applications, or other equipment in which the failure of the Skyworks products could lead to personal injury, death, physical or environmental damage. Skyworks customers using or selling Skyworks products for use in such applications do so at their own risk and agree to fully indemnify Skyworks for any damages resulting from such improper use or sale.

Customers are responsible for their products and applications using Skyworks products, which may deviate from published specifications as a result of design defects, errors, or operation of products outside of published parameters or design specifications. Customers should include design and operating safeguards to minimize these and other risks. Skyworks assumes no liability for applications assistance, customer product design, or damage to any equipment resulting from the use of Skyworks products outside of stated published specifications or parameters.

Skyworks and the Skyworks symbols are trademarks or registered trademarks of Skyworks Solutions, Inc., in the United States and other countries. Third-party brands and names are for identification purposes only, and are the property of their respective owners. Additional information, including relevant terms and conditions, posted at [www.skyworksinc.com](http://www.skyworksinc.com), are incorporated by reference.



## Стандарт Электрон Связь

Мы молодая и активно развивающаяся компания в области поставок электронных компонентов. Мы поставляем электронные компоненты отечественного и импортного производства напрямую от производителей и с крупнейших складов мира.

Благодаря сотрудничеству с мировыми поставщиками мы осуществляем комплексные и плановые поставки широчайшего спектра электронных компонентов.

Собственная эффективная логистика и склад в обеспечивает надежную поставку продукции в точно указанные сроки по всей России.

Мы осуществляем техническую поддержку нашим клиентам и предпродажную проверку качества продукции. На все поставляемые продукты мы предоставляем гарантию .

Осуществляем поставки продукции под контролем ВП МО РФ на предприятия военно-промышленного комплекса России , а также работаем в рамках 275 ФЗ с открытием отдельных счетов в уполномоченном банке. Система менеджмента качества компании соответствует требованиям ГОСТ ISO 9001.

Минимальные сроки поставки, гибкие цены, неограниченный ассортимент и индивидуальный подход к клиентам являются основой для выстраивания долгосрочного и эффективного сотрудничества с предприятиями радиоэлектронной промышленности, предприятиями ВПК и научно-исследовательскими институтами России.

С нами вы становитесь еще успешнее!

### Наши контакты:

**Телефон:** +7 812 627 14 35

**Электронная почта:** [sales@st-electron.ru](mailto:sales@st-electron.ru)

**Адрес:** 198099, Санкт-Петербург,  
Промышленная ул, дом № 19, литера Н,  
помещение 100-Н Офис 331