
ALPHA WIRE COMPANY
CUSTOMER PRODUCT SPECIFICATION

Part Number: 507F
Page 1 of 2 Pages

Issue: 5
Issue Date: 4/4/2006
Effective Date: 5/30/2006

A. Cordage Construction

- 1) Conductor
 - a) Material Bare Copper, per ASTM B-3
 - b) AWG, Stranding 18 (41/34) AWG; Finer stranding may be used.
- 2) Insulation
 - a) Material PVC
 - b) Nominal Diameter 0.077
- 3) Core Assembly
 - a) Number of Conductors 3
 - b) Color Code Blue, Brown & Green/Yellow. The insulation colors are to be readily distinguishable from one another and consistent over their length and circumference.
[Note: The stripe of the Green/Yellow insulation shall be 50% +/- 20%.]
 - c) Fillers Optional
 - d) Shield Aluminum/Polyester, Foil Facing In, 25% Minimum Overlap
 - e) Drain Wire 22 (7/30) AWG Tinned Copper; Finer stranding may be used.
- 4) Jacket
 - a) Material PVC
 - b) Surface Finish Smooth, non-striated
 - c) Nominal Diameter 0.260
 - d) Color Black
 - e) UL, CSA Type SVT
 - f) Jacket Marking Per UL Standard 62 and CSA C22.2 No. 49.

B. Cord Configuration

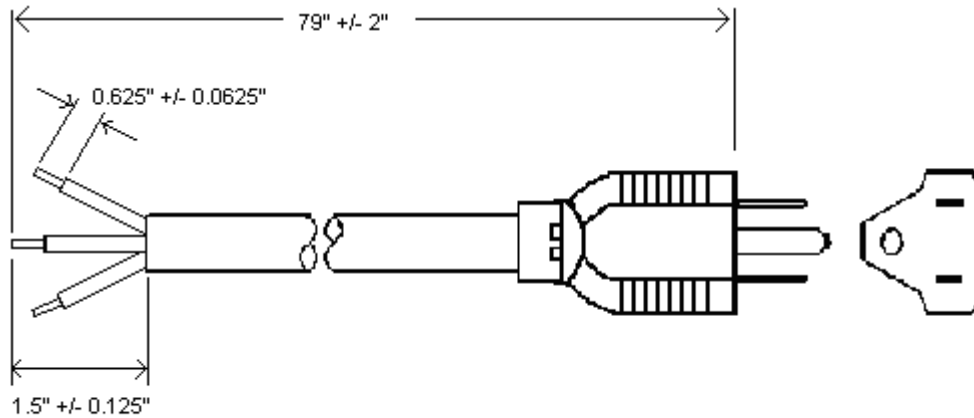
- 1) End 1 Molded Vinyl Grounding Plug, NEMA 5-15P
- 2) End 2 Jacket Stripped 1.5" +/- .125"
Insulation Stripped 0.625" +/- 0.0625"
- 3) Mold Color Black
- 4) Overall Length 79" +/- 2"

Although Alpha Wire Company ("Alpha") makes every reasonable effort to ensure their accuracy at the time of this publication, information and specifications described herein are subject to error or omission and to change without notice, and the listing of such information and specifications does not ensure product availability.
Alpha provides the information and specifications herein on an "AS IS" basis, with no representations or warranties, whether express, statutory or implied. In no event will Alpha be liable for any damages (including consequential, indirect, incidental, special, punitive, or exemplary damages) whatsoever, even if Alpha has been advised of the possibility of such damages, whether in an action under contract, negligence or any other theory, arising out of or in connection with the use, or inability to use, the information or specifications described herein.

ALPHA WIRE COMPANY
CUSTOMER PRODUCT SPECIFICATION

Part Number: 507F
Page 2 of 2 Pages

Issue: 5
Issue Date: 4/4/2006
Effective Date: 5/30/2006



C. Industry Approvals and Ratings

- | | |
|-----------------------------------|---|
| 1) UL | UL Standards 62 & 817 |
| 2) CSA | CSA Standards C22.2 No. 21 and No. 49 |
| 3) Cord Set Rating | 1250 Watts 10A-125V |
| 4) Temperature Rating | 60°C, Minimum |
| 5) EU Directive 2002/95/EC(RoHS): | All materials used in the manufacture and packaging of this part meet the requirement of EU Directive 2002/95/EU regarding the restriction of use of certain hazardous substances in electrical and electronic equipment. |
| 6) California Proposition 65: | The outer surface materials of this product are in accordance with CA Proposition 65 and contain no greater than 300 ppm of lead and meet all other chemical constraints as outlined in CA Proposition 65. |

D. Packaging

- | | |
|---------------------|-----------------------------|
| 1) Standard Package | 25 Pieces, placed in Carton |
|---------------------|-----------------------------|

Although Alpha Wire Company ("Alpha") makes every reasonable effort to ensure their accuracy at the time of this publication, information and specifications described herein are subject to error or omission and to change without notice, and the listing of such information and specifications does not ensure product availability. Alpha provides the information and specifications herein on an "AS IS" basis, with no representations or warranties, whether express, statutory or implied. In no event will Alpha be liable for any damages (including consequential, indirect, incidental, special, punitive, or exemplary damages) whatsoever, even if Alpha has been advised of the possibility of such damages, whether in an action under contract, negligence or any other theory, arising out of or in connection with the use, or inability to use, the information or specifications described herein.



Стандарт Электрон Связь

Мы молодая и активно развивающаяся компания в области поставок электронных компонентов. Мы поставляем электронные компоненты отечественного и импортного производства напрямую от производителей и с крупнейших складов мира.

Благодаря сотрудничеству с мировыми поставщиками мы осуществляем комплексные и плановые поставки широчайшего спектра электронных компонентов.

Собственная эффективная логистика и склад в обеспечивает надежную поставку продукции в точно указанные сроки по всей России.

Мы осуществляем техническую поддержку нашим клиентам и предпродажную проверку качества продукции. На все поставляемые продукты мы предоставляем гарантию .

Осуществляем поставки продукции под контролем ВП МО РФ на предприятия военно-промышленного комплекса России , а также работаем в рамках 275 ФЗ с открытием отдельных счетов в уполномоченном банке. Система менеджмента качества компании соответствует требованиям ГОСТ ISO 9001.

Минимальные сроки поставки, гибкие цены, неограниченный ассортимент и индивидуальный подход к клиентам являются основой для выстраивания долгосрочного и эффективного сотрудничества с предприятиями радиоэлектронной промышленности, предприятиями ВПК и научно-исследовательскими институтами России.

С нами вы становитесь еще успешнее!

Наши контакты:

Телефон: +7 812 627 14 35

Электронная почта: sales@st-electron.ru

Адрес: 198099, Санкт-Петербург,
Промышленная ул, дом № 19, литера Н,
помещение 100-Н Офис 331