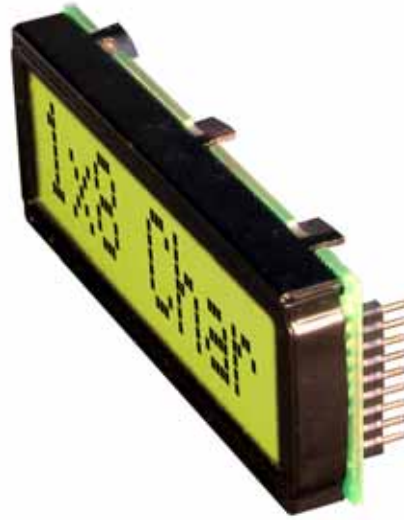


INCL. CONTROLLER HD 44780

no more mounting
required



*Dimension 68 x 27 mm
11mm flat even with LED B/L*

FEATURES

- * HIGH CONTRAST LCD SUPERTWIST DISPLAY GRAY OR YELLOW/GREEN
- * COMPATIBLE TO HD 44780 STANDARD
- * INTERFACE FOR 4- AND 8-BIT DATA BUS
- * POWER SUPPLY +2.7~5.5V (BACKLIGHT 4.1V)
- * OPERATING TEMPERATURE RANGE 0~+50°C OR -20~+70°C
- * BUILT-IN TEMP. COMP. WITH EA DIP081-CHNLED
- * LED BACKLIGHT Y/G typ. 150mA@4.1V, max. 200mA
- * SOME MORE MODULES WITH SAME MECHANIC AND SAME PINOUT:
 - DOTMATRIX 2x16, 4x20
 - GRAPHIC 122x32
- * NO SCREWS REQUIRED: SOLDER ON IN PCB ONLY
- * DETACHABLE VIA 9-PIN SOCKET EA B200-9 (2 PCS. REQUIRED)

ORDERING INFORMATION

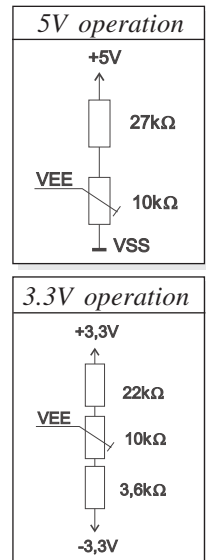
LCD MODULE 1x8 - 11.48mm WITH BACKLIGHT Y/G
 SAME BUT WITH T_{OP.} -20~+70°C, INCL. TEMP.COMP.
 9-PIN SOCKET, HEIGHT 4.3mm (1 PC.)
 SUITABLE BEZEL (WINDOW 60.0x14.8 mm)
 ADAPTOR PCB WITH STANDARD PINOUT PITCH 2.54mm

EA DIP081-CNLED
EA DIP081-CHNLED
EA B200-9
EA 017-2UKE
EA 9907-DIP

**ELECTRONIC
 ASSEMBLY**
 making things easy

PINOUT

Pin	Symbol	Level	Function	Pin	Symbol	Level	Function
1	VSS	L	Power Supply 0V (GND)	10	D3	H/L	Display Data
2	VDD	H	Power Supply +5V	11	D4 (D0)	H/L	Display Data
3	VEE	-	Contrast adjust. (about 0V)	12	D5 (D1)	H/L	Display Data
4	RS	H/L	H=Command, L=Data	13	D6 (D2)	H/L	Display Data
5	RW	H/L	H=Read, L=Write	14	D7 (D3)	H/L	Display Data, MSB
6	E	H	Enable (falling edge)	15	-	-	NC (see EA DIP122-5N)
7	D0	H/L	Display Data, LSB	16	-	-	NC (see EA DIP122-5N)
8	D1	H/L	Display Data	17	A	-	LED B/L+ Resistor required
9	D2	H/L	Display Data	18	C	-	LED B/L -



CONTRAST ADJUSTMENT

Both displays EA DIP081-CNLED and -CHNLED do have an driving voltage for contrast of typ. 4,9V. For 3.3V operation additional -3.3V is required.

Version EA DIP081-CHNLED for ext. temperature range -20..+70°C does have a built-in temperature compensation; so there's no need for contrast adjustment while operation.

BACKLIGHT

Backlight do need an external resistor limiting the current limiter. Calculation is: $R=U/I$, so at 5V supply:

$$R_{\text{gelb/grün}} = (5,0V - 4,1V) / 0,15A = 6 \text{ Ohm}$$

Caution: do never drive backlight direct with 5V; damage may come suddenly.

CHARACTER SET

Character set shown below is already built in. In addition to that you are able to define up to 8 characters by yourself.

Lower 4 bit	Upper 4 bit	0000 (\$0x)	0010 (\$2x)	0011 (\$3x)	0100 (\$4x)	0101 (\$5x)	0110 (\$6x)	0111 (\$7x)	1010 (\$Ax)	1011 (\$Bx)	1100 (\$Cx)	1101 (\$Dx)	1110 (\$Ex)	1111 (\$Fx)
xxxx0000 (\$x0)	CG RAM (0)		0	1	P	`	ƒ		-	9	3	α	p	
xxxx0001 (\$x1)	(1)	!	1	A	Q	a	q		•	7	7	4	ä	q
xxxx0010 (\$x2)	(2)	"	2	B	R	b	r		ƒ	ı	ı	ı	ƒ	θ
xxxx0011 (\$x3)	(3)	#	3	C	S	c	s		ı	ı	ı	ı	ε	•
xxxx0100 (\$x4)	(4)	\$	4	D	T	d	t		\	I	t	t	μ	Ω
xxxx0101 (\$x5)	(5)	%	5	E	U	e	u		•	7	7	ı	ε	Ü
xxxx0110 (\$x6)	(6)	&	6	F	V	f	v		ı	ı	ı	ı	ρ	Σ
xxxx0111 (\$x7)	(7)	'	7	G	W	g	w		7	7	7	ı	g	π
xxxx1000 (\$x8)	CG RAM (0)		8	H	X	h	x		ı	ı	ı	ı	ı	ı
xxxx1001 (\$x9)	(1))	9	I	Y	i	y		ı	ı	ı	ı	ı	y
xxxx1010 (\$xA)	(2)	*	ı	J	Z	j	z		ε	ı	ı	ı	j	ı
xxxx1011 (\$xB)	(3)	+	ı	K	[k	[ı	ı	ı	ı	ı	ı
xxxx1100 (\$xC)	(4)	,	<	L	¥	ı	ı		ı	ı	ı	ı	ı	ı
xxxx1101 (\$xD)	(5)	-	=	M]	m	ı		ı	ı	ı	ı	ı	ı
xxxx1110 (\$xE)	(6)	.	>	N	^	n	ı		ı	ı	ı	ı	ı	ı
xxxx1111 (\$xF)	(7)	/	?	O	_	o	ı		ı	ı	ı	ı	ı	ı

TABLE OF COMMAND

Instruction	Code										Description	Execute Time (max.)		
	RS	R/W	DB 7	DB 6	DB 5	DB 4	DB 3	DB 2	DB 1	DB 0				
Clear Display	0	0	0	0	0	0	0	0	0	1	Clears all display and returns the cursor to the home position (Address 0).	1.64ms		
Cursor At Home	0	0	0	0	0	0	0	0	1	*	Returns the Cursor to the home position (Address 0). Also returns the display being shifted to the original position. DD RAM contents remain unchanged.	1.64ms		
Entry Mode Set	0	0	0	0	0	0	0	1	I/D	S	Sets the Cursor move direction and specifies or not to shift the display. These operation are performed during data write and read.	40µs		
Display On/Off Control	0	0	0	0	0	0	1	D	C	B	Sets ON/OFF of all display (D) cursor ON/OFF (C), and blink of cursor position character (B).	40µs		
Cursor / Display Shift	0	0	0	0	0	1	S/C	R/L	*	*	Moves the Cursor and shifts the display without changing DD RAM contents.	40µs		
Function Set	0	0	0	0	1	DL	N	F	*	*	Sets interface data length (DL) number of display lines (L) and character font (F).	40µs		
CG RAM Address Set	0	0	0	1	ACG							Sets the CG RAM address. CG RAM data is sent and received after this setting.	40µs	
DD RAM Address Set	0	0	1	ADD							Sets the DD RAM address. DD RAM data is sent and received after this setting.	40µs		
Busy Flag / Address Read	0	1	BF		AC							Reads Busy flag (BF) indicating internal operation is being performed and reads address counter contents.	-	
CG RAM / DD RAM Data write	1	0	Write Data										Writes data into DD RAM or CG RAM	40µs
CG RAM / DD RAM Data Read	1	1	Read Data										Reads data from DD RAM or CG RAM	40µs

INITIALISATION FOR A 1 LINE DISPLAY / 8-BIT MODE

Command	RS	R/W	DB7	DB6	DB5	DB4	DB3	DB2	DB1	DB0	Remark
Function Set	0	0	0	0	1	1	0	0	0	0	8 bit data length, 1 line display, 5x7 font
Display ON/OFF	0	0	0	0	0	0	1	1	1	1	display on, cursor on, cursor blink
Clear Display	0	0	0	0	0	0	0	0	0	1	clear display, cursor 1st. row, 1st. column
Entry Mode Set	0	0	0	0	0	0	0	1	1	0	cursor increments automatically

CREATING YOUR OWN CHARACTERS

All these character display modules got the feature to create 8 own characters (ASCII Codes 0..7) in addition to the 192 ROM fixed codes.

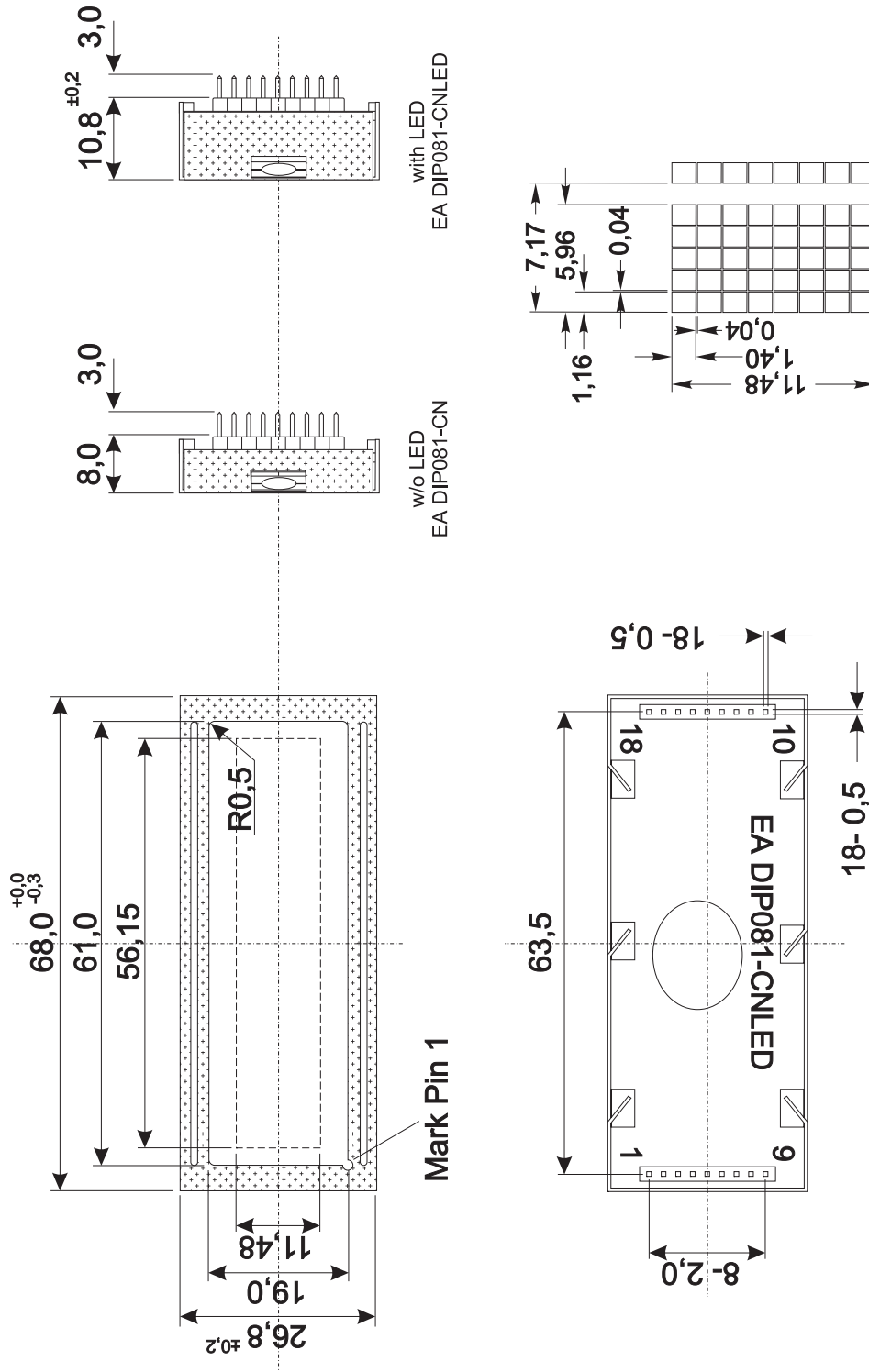
- 1.) The command "CG RAM Address Set" defines the ASCII code (Bit 3,4,5) and the dot line (Bit 0,1,2) of the new character. Example demonstrates creating ASCII code \$00.
- 2.) Doing 8 times the write command "Data Write" defines line by line the new character. 8th. byte stands for the cursor line.
- 3.) The new defined character can be used as a "normal" ASCII code (0..7); use with "DD RAM Address Set" and "Data Write".

Set CG RAM Address				Data							
Adresse		Hex	Bit							Hex	
7	6	5	4		3	2	1	0	Hex		
0	1	0	0	0	0	0	0	0	0	0	\$04
				0	0	1	0	0	0	0	\$04
				0	1	0	0	0	0	0	\$04
				0	1	1	0	0	0	0	\$04
				1	0	0	0	0	0	0	\$15
				1	0	1	0	1	1	0	\$0E
				1	1	0	0	0	1	0	\$04
				1	1	1	0	0	0	0	\$00

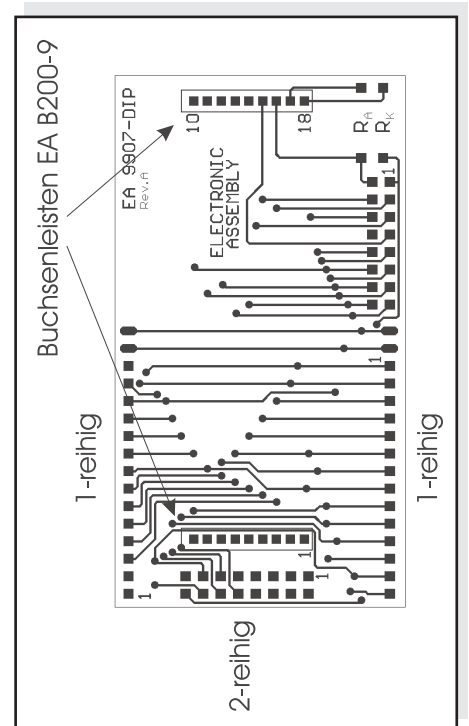
EA DIP081-CNLED

ELECTRONIC ASSEMBLY reserves the right to change specifications without prior notice. Printing and typographical errors reserved.

DIMENSIONS



all dimensions are in mm



*Adaptor pcb
EA 9907-DIP*

ELECTRONIC ASSEMBLY
making things easy



Стандарт Электрон Связь

Мы молодая и активно развивающаяся компания в области поставок электронных компонентов. Мы поставляем электронные компоненты отечественного и импортного производства напрямую от производителей и с крупнейших складов мира.

Благодаря сотрудничеству с мировыми поставщиками мы осуществляем комплексные и плановые поставки широчайшего спектра электронных компонентов.

Собственная эффективная логистика и склад в обеспечивает надежную поставку продукции в точно указанные сроки по всей России.

Мы осуществляем техническую поддержку нашим клиентам и предпродажную проверку качества продукции. На все поставляемые продукты мы предоставляем гарантию .

Осуществляем поставки продукции под контролем ВП МО РФ на предприятия военно-промышленного комплекса России , а также работаем в рамках 275 ФЗ с открытием отдельных счетов в уполномоченном банке. Система менеджмента качества компании соответствует требованиям ГОСТ ISO 9001.

Минимальные сроки поставки, гибкие цены, неограниченный ассортимент и индивидуальный подход к клиентам являются основой для выстраивания долгосрочного и эффективного сотрудничества с предприятиями радиоэлектронной промышленности, предприятиями ВПК и научно-исследовательскими институтами России.

С нами вы становитесь еще успешнее!

Наши контакты:

Телефон: +7 812 627 14 35

Электронная почта: sales@st-electron.ru

Адрес: 198099, Санкт-Петербург,
Промышленная ул, дом № 19, литера Н,
помещение 100-Н Офис 331