

PCA9655E

Remote 16-bit I/O Expander for I²C Bus with Interrupt

The PCA9655E provides 16 bits of General Purpose parallel Input / Output (GPIO) expansion through the I²C-bus / SMBus.

The PCA9655E consists of two 8-bit Configuration (Input or Output selection); Input, Output and Polarity Inversion (active-HIGH or active-LOW operation) registers. At power on, all I/Os default to inputs. Each I/O may be configured as either input or output by writing to its corresponding I/O configuration bit. The data for each Input or Output is kept in its corresponding Input or Output register. The Polarity Inversion register may be used to invert the polarity of the read register. All registers can be read by the system master.

The PCA9655E provides an open-drain interrupt output which is activated when any input state differs from its corresponding input port register state. The interrupt output is used to indicate to the system master that an input state has changed. The power-on reset sets the registers to their default values and initializes the device state machine.

Three hardware pins (AD0, AD1, AD2) are used to configure the I²C-bus slave address of the device. Up to 64 devices are allowed to share the same I²C-bus / SMBus.

Features

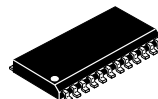
- V_{DD} Operating Range: 1.65 V to 5.5 V
- SDA Sink Capability: 30 mA
- 5.5 V Tolerant I/Os
- Polarity Inversion Register
- Active LOW Interrupt Output
- Low Standby Current
- Noise Filter on SCL/SDA Inputs
- No Glitch on Power-up
- Internal Power-on Reset
- 64 Programmable Slave Addresses Using Three Address Pins
- 16 I/O Pins Which Default to 16 Inputs
- I²C SCL Clock Frequencies Supported:
 - Standard Mode: 100 kHz
 - Fast Mode: 400 kHz
 - Fast Mode +: 1 MHz
- ESD Performance: 2000 V Human Body Model, 200 V Machine Model
- These are Pb-Free Devices



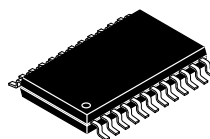
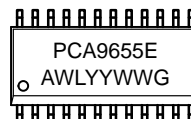
ON Semiconductor®

<http://onsemi.com>

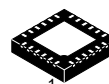
MARKING DIAGRAMS



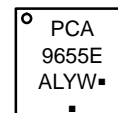
SOIC-24
DW SUFFIX
CASE 751E



TSSOP-24
DT SUFFIX
CASE 948H



WQFN24
MT SUFFIX
CASE 485BG



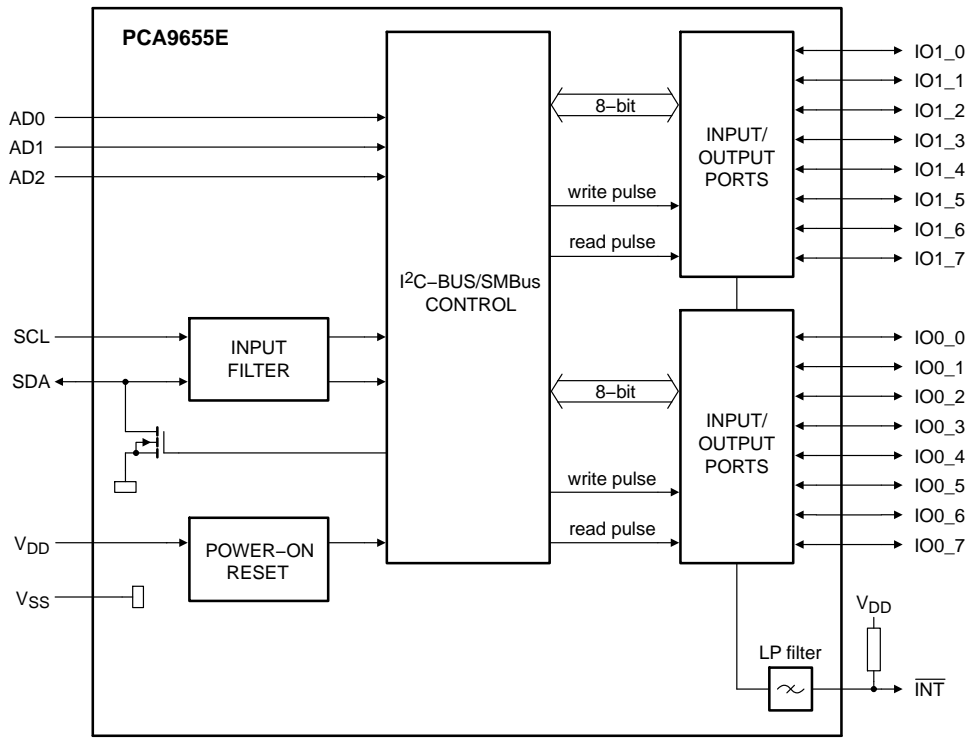
XXXX = Specific Device Code
A = Assembly Location
WL, L = Wafer Lot
YY, Y = Year
WW, W = Work Week
G or ■ = Pb-Free Package
(Note: Microdot may be in either location)

ORDERING INFORMATION

See detailed ordering and shipping information in the package dimensions section on page 17 of this data sheet.

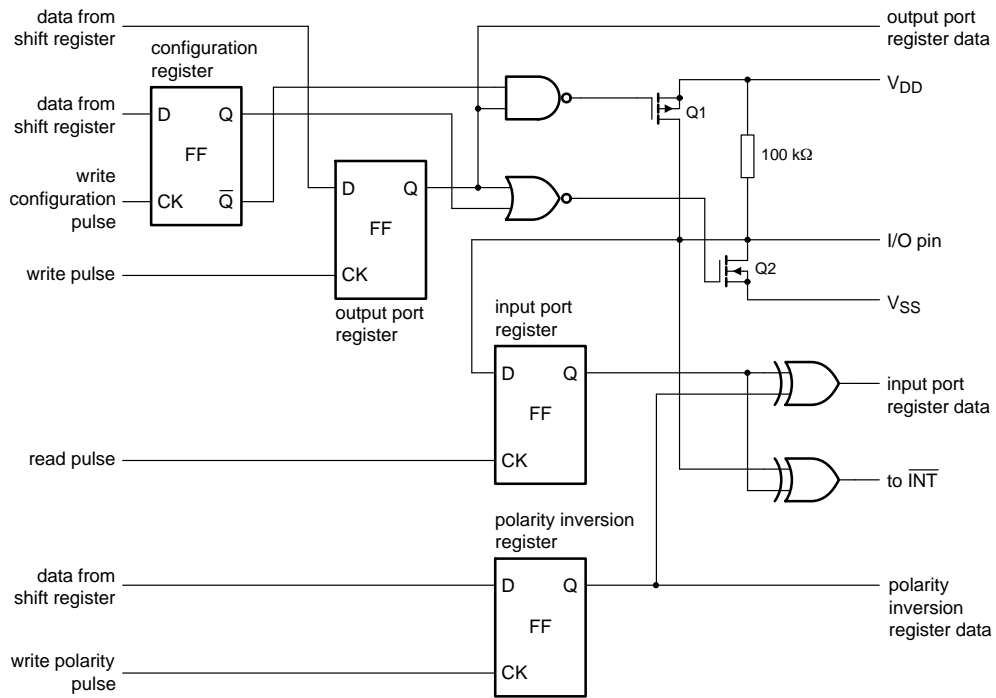
PCA9655E

BLOCK DIAGRAM



Remark: All I/Os are set as inputs at reset.

Figure 1. Block Diagram



At power-on reset, all registers return to default values.

Figure 2. Simplified Schematic of I/Os

PCA9655E

PIN ASSIGNMENT

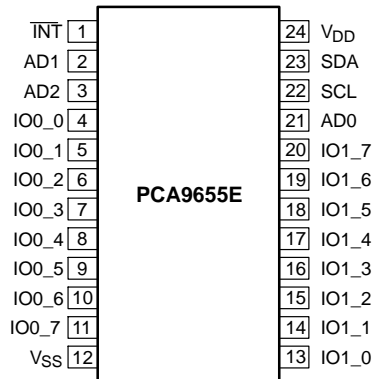
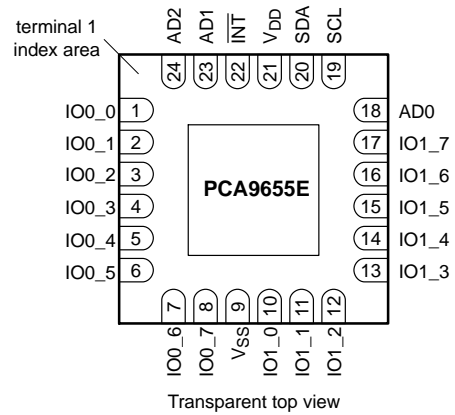


Figure 3. SOIC24 / TSSOP24



Transparent top view
(The exposed thermal pad at the bottom is not connected to internal circuitry)

Figure 4. WQFN24

Table 1. PIN DESCRIPTIONS

| Symbol | Pin | | Description |
|-------------------------|-----------------|--------|-------------------------------|
| | SOIC24, TSSOP24 | WQFN24 | |
| $\overline{\text{INT}}$ | 1 | 22 | Interrupt Output (active-LOW) |
| AD1 | 2 | 23 | Address Input 1 |
| AD2 | 3 | 24 | Address Input 2 |
| IO0_0 | 4 | 1 | Port 0 I/O 0 |
| IO0_1 | 5 | 2 | Port 0 I/O 1 |
| IO0_2 | 6 | 3 | Port 0 I/O 2 |
| IO0_3 | 7 | 4 | Port 0 I/O 3 |
| IO0_4 | 8 | 5 | Port 0 I/O 4 |
| IO0_5 | 9 | 6 | Port 0 I/O 5 |
| IO0_6 | 10 | 7 | Port 0 I/O 6 |
| IO0_7 | 11 | 8 | Port 0 I/O 7 |
| V _{SS} | 12 | 9 | Supply Ground |
| IO1_0 | 13 | 10 | Port 1 I/O 0 |
| IO1_1 | 14 | 11 | Port 1 I/O 1 |
| IO1_2 | 15 | 12 | Port 1 I/O 2 |
| IO1_3 | 16 | 13 | Port 1 I/O 3 |
| IO1_4 | 17 | 14 | Port 1 I/O 4 |
| IO1_5 | 18 | 15 | Port 1 I/O 5 |
| IO1_6 | 19 | 16 | Port 1 I/O 6 |
| IO1_7 | 20 | 17 | Port 1 I/O 7 |
| AD0 | 21 | 18 | Address Input 0 |
| SCL | 22 | 19 | Serial Clock Line |
| SDA | 23 | 20 | Serial Data Line |
| V _{DD} | 24 | 21 | Supply Voltage |

PCA9655E

Table 2. MAXIMUM RATINGS

| Symbol | Parameter | Value | Unit | |
|----------------------|---|---|-----------------|------|
| V _{DD} | DC Supply Voltage | -0.5 to +7.0 | V | |
| V _{I/O} | Input / Output Pin Voltage | -0.5 to +7.0 | V | |
| I _I | Input Current | ± 20 | mA | |
| I _O | Output Current | ± 50 | mA | |
| I _{DD} | DC Supply Current | ± 100 | mA | |
| I _{GND} | DC Ground Current | ± 600 | mA | |
| P _{TOT} | Total Power Dissipation | 600 | mW | |
| P _{OUT} | Power Dissipation per Output | 200 | mW | |
| T _{STG} | Storage Temperature Range | -65 to +150 | °C | |
| T _L | Lead Temperature, 1 mm from Case for 10 Seconds | 260 | °C | |
| T _J | Junction Temperature Under Bias | 150 | °C | |
| θ _{JA} | Thermal Resistance (Note 1) | SOIC-24 TSSOP-24 WQFN24 | 85 91 68 | °C/W |
| MSL | Moisture Sensitivity | Level 1 | | |
| F _R | Flammability Rating Oxygen Index: 28 to 34 | UL 94 V-0 @ 0.125 in | | |
| V _{ESD} | ESD Withstand Voltage | Human Body Model (Note 2) Machine Model (Note 3) | > 2000 > 200 | V |
| I _{LATCHUP} | Latchup Performance Above V _{DD} and Below GND at 125°C (Note 4) | ± 300 | mA | |

Stresses exceeding Maximum Ratings may damage the device. Maximum Ratings are stress ratings only. Functional operation above the Recommended Operating Conditions is not implied. Extended exposure to stresses above the Recommended Operating Conditions may affect device reliability.

1. Measured with minimum pad spacing on an FR4 board, using 10 mm-by-1 inch, 2 ounce copper trace no air flow.
2. Tested to EIA / JESD22-A114-A.
3. Tested to EIA / JESD22-A115-A.
4. Tested to EIA / JESD78.

Table 3. RECOMMENDED OPERATING CONDITIONS

| Symbol | Parameter | Min | Max | Unit |
|------------------|------------------------------------|------|------|------|
| V _{DD} | Positive DC Supply Voltage | 1.65 | 5.5 | V |
| V _{I/O} | Switch Input / Output Voltage | 0 | 5.5 | V |
| T _A | Operating Free-Air Temperature | -55 | +125 | °C |
| Δt / ΔV | Input Transition Rise or Fall Rate | 0 | 5 | nS/V |

PCA9655E

Table 4. DC ELECTRICAL CHARACTERISTICS $V_{DD} = 1.65\text{ V to }5.5\text{ V}$, unless otherwise specified.

| Symbol | Parameter | Conditions | $T_A = -55^\circ\text{C to }+125^\circ\text{C}$ | | | Unit |
|--------|-----------|------------|---|-----|-----|------|
| | | | Min | Typ | Max | |

SUPPLIES

| | | | | | | |
|-----------|------------------------------------|---|--|-------------|----------|---------------------|
| I_{STB} | Standby Current | Standby mode; no load; $V_I = 0\text{ V}$; $f_{SCL} = 0\text{ Hz}$; I/O = inputs $V_I = V_{DD}$; $f_{SCL} = 0\text{ Hz}$; I/O = outputs | | 1.1 0.25 | 1.5 1 | mA μA |
| V_{POR} | Power-On Reset Voltage (Note 5) | | | 1.5 | 1.65 | V |

INPUT SCL; Input / Output SDA

| | | | | | | |
|----------|--------------------------|---|---------------------|-----|---------------------|---------------|
| V_{IH} | High-Level Input Voltage | | $0.7 \times V_{DD}$ | | | V |
| V_{IL} | Low-Level Input Voltage | | | | $0.3 \times V_{DD}$ | V |
| I_{OL} | Low-Level Output Current | $V_{OL} = 0.4\text{ V}$; $V_{DD} < 2.3\text{ V}$ | 10 | | | mA |
| | | $V_{DD} \geq 2.3\text{ V}$ | 20 | | | |
| I_L | Leakage Current | $V_I = V_{DD}$ or 0 V | | | ± 1 | μA |
| C_I | Input Capacitance | $V_I = 0\text{ V}$ | | 4.6 | 6 | pF |

I/Os

| | | | | | | |
|---------------|--|---|--|----------------------|---------------------|---------------|
| V_{IH} | High-Level Input Voltage | | $0.7 \times V_{DD}$ | | | V |
| V_{IL} | Low-Level Input Voltage | | | | $0.3 \times V_{DD}$ | V |
| I_{OL} | Low-Level Output Current (Note 6) | $V_{OL} = 0.5\text{ V}$; $V_{DD} = 1.65\text{ V}$ $V_{OL} = 0.5\text{ V}$; $V_{DD} = 2.3\text{ V}$ $V_{OL} = 0.5\text{ V}$; $V_{DD} = 3.0\text{ V}$ $V_{OL} = 0.5\text{ V}$; $V_{DD} = 4.5\text{ V}$ | 8 12 17 25 | 20 28 35 42 | | mA |
| $I_{OL(tot)}$ | Total Low-Level Output Current (Note 6) | $V_{OL} = 0.5\text{ V}$; $V_{DD} = 4.5\text{ V}$ | | | 400 | mA |
| V_{OH} | High-Level Output Voltage | $I_{OH} = -3\text{ mA}$; $V_{DD} = 1.65\text{ V}$ $I_{OH} = -4\text{ mA}$; $V_{DD} = 1.65\text{ V}$ $I_{OH} = -8\text{ mA}$; $V_{DD} = 2.3\text{ V}$ $I_{OH} = -10\text{ mA}$; $V_{DD} = 2.3\text{ V}$ $I_{OH} = -8\text{ mA}$; $V_{DD} = 3.0\text{ V}$ $I_{OH} = -10\text{ mA}$; $V_{DD} = 3.0\text{ V}$ $I_{OH} = -8\text{ mA}$; $V_{DD} = 4.5\text{ V}$ $I_{OH} = -10\text{ mA}$; $V_{DD} = 4.5\text{ V}$ | 1.2 1.1 1.8 1.7 2.6 2.5 4.1 4.0 | | | V |
| I_{LH} | Input Leakage Current | $V_{DD} = 5.5\text{ V}$; $V_I = V_{DD}$ | | | 1 | μA |
| I_{LL} | Input Leakage Current | $V_{DD} = 5.5\text{ V}$; $V_I = 0\text{ V}$ | | | -100 | μA |
| $C_{I/O}$ | Input / Output Capacitance (Note 7) | | | 5.0 | 6.0 | pF |

INTERRUPT (INT)

| | | | | | | |
|----------|--------------------------|-------------------------|-----|-----|-----|----|
| I_{OL} | Low-Level Output Current | $V_{OL} = 0.4\text{ V}$ | 6.0 | | | mA |
| C_O | Output Capacitance | | | 5.0 | 5.5 | pF |

INPUTS AD0, AD1, AD2

| | | | | | | |
|----------|--------------------------|--------------------------------|---------------------|-----|---------------------|---------------|
| V_{IH} | High-Level Input Voltage | | $0.7 \times V_{DD}$ | | | V |
| V_{IL} | Low-Level Input Voltage | | | | $0.3 \times V_{DD}$ | V |
| I_L | Leakage Current | $V_I = V_{DD}$ or 0 V | | | ± 1 | μA |
| C_I | Input Capacitance | | | 4.5 | 5.0 | pF |

5. The power-on reset circuit resets the I²C bus logic with $V_{DD} < V_{POR}$ and set all I/Os to logic 1 upon power-up. Thereafter, V_{DD} must be lower than 0.2 V to reset the part.

6. Each bit must be limited to a maximum of 25 mA and the total package limited to 400 mA due to internal bussing limits.

7. The value is not tested, but verified on sampling basis.

PCA9655E

Table 5. AC ELECTRICAL CHARACTERISTICS $V_{DD} = 1.65\text{ V to }5.5\text{ V}$; $T_A = -55^\circ\text{C to }+125^\circ\text{C}$, unless otherwise specified.

| Symbol | Parameter | Standard Mode | | Fast Mode | | Fast Mode + | | Unit |
|--------------|--|---------------|------|----------------------------|-----|-------------|------|---------------|
| | | Min | Max | Min | Max | Min | Max | |
| f_{SCL} | SCL Clock Frequency | 0 | 0.1 | 0 | 0.4 | 0 | 1.0 | MHz |
| t_{BUF} | Bus-Free Time between a STOP and START Condition | 4.7 | | 1.3 | | 0.5 | | μs |
| $t_{HD:STA}$ | Hold Time (Repeated) START Condition | 4.0 | | 0.6 | | 0.26 | | μs |
| $t_{SU:STA}$ | Setup Time for a Repeated START Condition | 4.7 | | 0.6 | | 0.26 | | μs |
| $t_{SU:STO}$ | Setup Time for STOP Condition | 4.0 | | 0.6 | | 0.26 | | μs |
| $t_{HD:DAT}$ | Data Hold Time | 0 | | 0 | | 0 | | ns |
| $t_{VD:ACK}$ | Data Valid Acknowledge Time (Note 8) | 0.3 | 3.45 | 0.1 | 0.9 | 0.05 | 0.45 | μs |
| $t_{VD:DAT}$ | Data Valid Time (Note 9) | 300 | | 50 | | 50 | 450 | ns |
| $t_{SU:DAT}$ | Data Setup Time | 250 | | 100 | | 50 | | ns |
| t_{LOW} | LOW Period of SCL | 4.7 | | 1.3 | | 0.5 | | μs |
| t_{HIGH} | HIGH Period of SCL | 4.0 | | 0.6 | | 0.26 | | μs |
| t_f | Fall Time of SDA and SCL (Notes 11 and 12) | | 300 | $20 + 0.1C_b$ (Note 10) | 300 | | 120 | ns |
| t_r | Rise Time of SDA and SCL | | 1000 | $20 + 0.1C_b$ (Note 10) | 300 | | 120 | ns |
| t_{SP} | Pulse Width of Spikes Suppressed by Input Filter (Note 13) | | 50 | | 50 | | 50 | ns |

PORT TIMING: $C_L \leq 100\text{ pF}$ (See Figures 6, 9 and 10)

| | | | | | | | | |
|-------------|--|-----|-------------------|-----|-------------------|-----|-------------------|---------------|
| $t_{V(Q)}$ | Data Output Valid Time ($V_{DD} = 4.5\text{ V to }5.5\text{ V}$) ($V_{DD} = 2.3\text{ V to }4.5\text{ V}$) ($V_{DD} = 1.65\text{ V to }2.3\text{ V}$) | | 200 350 550 | | 200 350 550 | | 200 350 550 | ns |
| $t_{SU(D)}$ | Data Input Setup Time | 100 | | 100 | | 100 | | ns |
| $t_{H(D)}$ | Data Input Hold Time | 1 | | 1 | | 1 | | μs |

INTERRUPT TIMING: $C_L \leq 100\text{ pF}$ (See Figures 9 and 10)

| | | | | | | | | |
|-------------------|------------------|--|---|--|---|--|---|---------------|
| $t_{V(INT_N)}$ | Data Valid Time | | 4 | | 4 | | 4 | μs |
| $t_{RST(INT_N)}$ | Reset Delay Time | | 4 | | 4 | | 4 | μs |

8. $t_{VD:ACK}$ = time for Acknowledgment signal from SCL LOW to SDA (out) LOW.

9. $t_{VD:DAT}$ = minimum time for SDA data out to be valid following SCL LOW.

10. C_b = total capacitance of one bus line in pF.

11. A master device must internally provide a hold time of at least 300 ns for the SDA signal (refer to V_{IL} of the SCL signal) in order to bridge the undefined region SCL's falling edge.

12. The maximum t_f for the SDA and SCL bus lines is specified at 300 ns. The maximum fall time for the SDA output stage t_f is specified at 250 ns. This allows series protection resistors to be connected between the SDA and the SCL pins and the SDA/SCL bus lines without exceeding the maximum specified t_f .

13. Input filters on the SDA and SCL inputs suppress noise spikes less than 50 ns.

PCA9655E

Device Address

Before the bus master can access a slave device, it must send the address of the slave it is accessing and the operation it wants to perform (read or write) following a START condition. The slave address of the PCA9655E is shown in Figure 5. Address pins AD2, AD1, and AD0 choose 1 of 64 slave addresses. To conserve power, no internal pull-up resistors are provided on AD2, AD1, and AD0.

A logic 1 on the last bit of the first byte selects a read operation while a logic 0 selects a write operation.

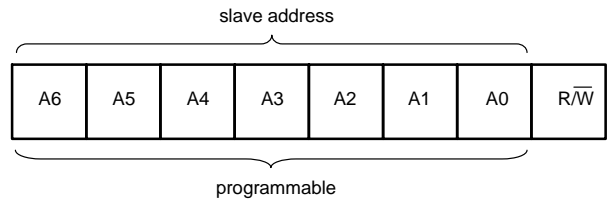


Figure 5. PCA9655E device Address

Table 6. PCA9655E ADDRESS MAP

| Address Input | | | Slave Address | | | | | | | |
|---------------|-----|-----|---------------|----|----|----|----|----|----|-----|
| AD2 | AD1 | AD0 | A6 | A5 | A4 | A3 | A2 | A1 | A0 | HEX |
| GND | SCL | GND | 0 | 0 | 1 | 0 | 0 | 0 | 0 | 20h |
| GND | SCL | VDD | 0 | 0 | 1 | 0 | 0 | 0 | 1 | 22h |
| GND | SDA | GND | 0 | 0 | 1 | 0 | 0 | 1 | 0 | 24h |
| GND | SDA | VDD | 0 | 0 | 1 | 0 | 0 | 1 | 1 | 26h |
| VDD | SCL | GND | 0 | 0 | 1 | 0 | 1 | 0 | 0 | 28h |
| VDD | SCL | VDD | 0 | 0 | 1 | 0 | 1 | 0 | 1 | 2Ah |
| VDD | SDA | GND | 0 | 0 | 1 | 0 | 1 | 1 | 0 | 2Ch |
| VDD | SDA | VDD | 0 | 0 | 1 | 0 | 1 | 1 | 1 | 2Eh |
| GND | SCL | SCL | 0 | 0 | 1 | 1 | 0 | 0 | 0 | 30h |
| GND | SCL | SDA | 0 | 0 | 1 | 1 | 0 | 0 | 1 | 32h |
| GND | SDA | SCL | 0 | 0 | 1 | 1 | 0 | 1 | 0 | 34h |
| GND | SDA | SDA | 0 | 0 | 1 | 1 | 0 | 1 | 1 | 36h |
| VDD | SCL | SCL | 0 | 0 | 1 | 1 | 1 | 0 | 0 | 38h |
| VDD | SCL | SDA | 0 | 0 | 1 | 1 | 1 | 0 | 1 | 3Ah |
| VDD | SDA | SCL | 0 | 0 | 1 | 1 | 1 | 1 | 0 | 3Ch |
| VDD | SDA | SDA | 0 | 0 | 1 | 1 | 1 | 1 | 1 | 3Eh |
| GND | GND | GND | 0 | 1 | 0 | 0 | 0 | 0 | 0 | 40h |
| GND | GND | VDD | 0 | 1 | 0 | 0 | 0 | 0 | 1 | 42h |
| GND | VDD | GND | 0 | 1 | 0 | 0 | 0 | 1 | 0 | 44h |
| GND | VDD | VDD | 0 | 1 | 0 | 0 | 0 | 1 | 1 | 46h |
| VDD | GND | GND | 0 | 1 | 0 | 0 | 1 | 0 | 0 | 48h |
| VDD | GND | VDD | 0 | 1 | 0 | 0 | 1 | 0 | 1 | 4Ah |
| VDD | VDD | GND | 0 | 1 | 0 | 0 | 1 | 1 | 0 | 4Ch |
| VDD | VDD | VDD | 0 | 1 | 0 | 0 | 1 | 1 | 1 | 4Eh |
| GND | GND | SCL | 0 | 1 | 0 | 1 | 0 | 0 | 0 | 50h |
| GND | GND | SDA | 0 | 1 | 0 | 1 | 0 | 0 | 1 | 52h |
| GND | VDD | SCL | 0 | 1 | 0 | 1 | 0 | 1 | 0 | 54h |
| GND | VDD | SDA | 0 | 1 | 0 | 1 | 0 | 1 | 1 | 56h |
| VDD | GND | SCL | 0 | 1 | 0 | 1 | 1 | 0 | 0 | 58h |
| VDD | GND | SDA | 0 | 1 | 0 | 1 | 1 | 0 | 1 | 5Ah |
| VDD | VDD | SCL | 0 | 1 | 0 | 1 | 1 | 1 | 0 | 5Ch |
| VDD | VDD | SDA | 0 | 1 | 0 | 1 | 1 | 1 | 1 | 5Eh |

PCA9655E

Table 6. PCA9655E ADDRESS MAP

| Address Input | | | Slave Address | | | | | | | |
|---------------|-----|-----|---------------|----|----|----|----|----|----|------|
| AD2 | AD1 | AD0 | A6 | A5 | A4 | A3 | A2 | A1 | A0 | HEX |
| SCL | SCL | GND | 1 | 0 | 1 | 0 | 0 | 0 | 0 | A0h |
| SCL | SCL | VDD | 1 | 0 | 1 | 0 | 0 | 0 | 1 | A2h |
| SCL | SDA | GND | 1 | 0 | 1 | 0 | 0 | 1 | 0 | A4h |
| SCL | SDA | VDD | 1 | 0 | 1 | 0 | 0 | 1 | 1 | A6h |
| SDA | SCL | GND | 1 | 0 | 1 | 0 | 1 | 0 | 0 | A8h |
| SDA | SCL | VDD | 1 | 0 | 1 | 0 | 1 | 0 | 1 | AAh |
| SDA | SDA | GND | 1 | 0 | 1 | 0 | 1 | 1 | 0 | ACH |
| SDA | SDA | VDD | 1 | 0 | 1 | 0 | 1 | 1 | 1 | A Eh |
| SCL | SCL | SCL | 1 | 0 | 1 | 1 | 0 | 0 | 0 | B0h |
| SCL | SCL | SDA | 1 | 0 | 1 | 1 | 0 | 0 | 1 | B2h |
| SCL | SDA | SCL | 1 | 0 | 1 | 1 | 0 | 1 | 0 | B4h |
| SCL | SDA | SDA | 1 | 0 | 1 | 1 | 0 | 1 | 1 | B6h |
| SDA | SCL | SCL | 1 | 0 | 1 | 1 | 1 | 0 | 0 | B8h |
| SDA | SCL | SDA | 1 | 0 | 1 | 1 | 1 | 0 | 1 | BAh |
| SDA | SDA | SCL | 1 | 0 | 1 | 1 | 1 | 1 | 0 | BCh |
| SDA | SDA | SDA | 1 | 0 | 1 | 1 | 1 | 1 | 1 | BEh |
| SCL | GND | GND | 1 | 1 | 0 | 0 | 0 | 0 | 0 | C0h |
| SCL | GND | VDD | 1 | 1 | 0 | 0 | 0 | 0 | 1 | C2h |
| SCL | VDD | GND | 1 | 1 | 0 | 0 | 0 | 1 | 0 | C4h |
| SCL | VDD | VDD | 1 | 1 | 0 | 0 | 0 | 1 | 1 | C6h |
| SDA | GND | GND | 1 | 1 | 0 | 0 | 1 | 0 | 0 | C8h |
| SDA | GND | VDD | 1 | 1 | 0 | 0 | 1 | 0 | 1 | CAh |
| SDA | VDD | GND | 1 | 1 | 0 | 0 | 1 | 1 | 0 | CCh |
| SDA | VDD | VDD | 1 | 1 | 0 | 0 | 1 | 1 | 1 | CEh |
| SCL | GND | SCL | 1 | 1 | 1 | 0 | 0 | 0 | 0 | E0h |
| SCL | GND | SDA | 1 | 1 | 1 | 0 | 0 | 0 | 1 | E2h |
| SCL | VDD | SCL | 1 | 1 | 1 | 0 | 0 | 1 | 0 | E4h |
| SCL | VDD | SDA | 1 | 1 | 1 | 0 | 0 | 1 | 1 | E6h |
| SDA | GND | SCL | 1 | 1 | 1 | 0 | 1 | 0 | 0 | E8h |
| SDA | GND | SDA | 1 | 1 | 1 | 0 | 1 | 0 | 1 | E Ah |
| SDA | VDD | SCL | 1 | 1 | 1 | 0 | 1 | 1 | 0 | ECh |
| SDA | VDD | SDA | 1 | 1 | 1 | 0 | 1 | 1 | 1 | E Eh |

PCA9655E

REGISTERS

Command Byte

During a write transmission, the address byte is followed by the command byte. The command byte determines which of the following registers will be written or read.

Table 7. COMMAND BYTE

| COMMAND | REGISTER |
|---------|---------------------------|
| 0 | Input Port 0 |
| 1 | Input Port 1 |
| 2 | Output Port 0 |
| 3 | Output Port 1 |
| 4 | Polarity Inversion Port 0 |
| 5 | Polarity Inversion Port 1 |
| 6 | Configuration Port 0 |
| 7 | Configuration Port 1 |

Registers 0 and 1: Input Port Registers

These registers are input-only. They reflect the incoming logic levels of the pins, regardless of whether the pin is defined as an input or an output by Registers 6 or 7. Writes to these registers have no effect.

The externally-applied logic level determines the default value 'X'.

Table 8. INPUT PORT 0 REGISTER

| Bit | 7 | 6 | 5 | 4 | 3 | 2 | 1 | 0 |
|---------|------|------|------|------|------|------|------|------|
| Symbol | I0.7 | I0.6 | I0.5 | I0.4 | I0.3 | I0.2 | I0.1 | I0.0 |
| Default | X | X | X | X | X | X | X | X |

Table 9. INPUT PORT 1 REGISTER

| Bit | 7 | 6 | 5 | 4 | 3 | 2 | 1 | 0 |
|---------|------|------|------|------|------|------|------|------|
| Symbol | I1.7 | I1.6 | I1.5 | I1.4 | I1.3 | I1.2 | I1.1 | I1.0 |
| Default | X | X | X | X | X | X | X | X |

Registers 2 and 3: Output Port Registers

These registers are output-only. They reflect the outgoing logic levels of the pins defined as outputs by Registers 6 and 7. Bit values in these registers have no effect on pins defined

as inputs. In turn, reads from these registers reflect the values that are in the flip-flops controlling the output selection, **not** the actual pin values.

Table 10. OUTPUT PORT 0 REGISTER

| Bit | 7 | 6 | 5 | 4 | 3 | 2 | 1 | 0 |
|---------|------|------|------|------|------|------|------|------|
| Symbol | O0.7 | O0.6 | O0.5 | O0.4 | O0.3 | O0.2 | O0.1 | O0.0 |
| Default | 1 | 1 | 1 | 1 | 1 | 1 | 1 | 1 |

Table 11. OUTPUT PORT 1 REGISTER

| Bit | 7 | 6 | 5 | 4 | 3 | 2 | 1 | 0 |
|---------|------|------|------|------|------|------|------|------|
| Symbol | O1.7 | O1.6 | O1.5 | O1.4 | O1.3 | O1.2 | O1.1 | O1.0 |
| Default | 1 | 1 | 1 | 1 | 1 | 1 | 1 | 1 |

PCA9655E

Registers 4 and 5: Polarity Inversion Registers

These registers allow the polarity of the data in the input port registers to be inverted. The input port data polarity will

be inverted when its corresponding bit in these registers is set (written with '1'), and retained when the bit is cleared (written with a '0').

Table 12. POLARITY INVERSION PORT 0 REGISTER

| Bit | 7 | 6 | 5 | 4 | 3 | 2 | 1 | 0 |
|---------|------|------|------|------|------|------|------|------|
| Symbol | N0.7 | N0.6 | N0.5 | N0.4 | N0.3 | N0.2 | N0.1 | N0.0 |
| Default | 0 | 0 | 0 | 0 | 0 | 0 | 0 | 0 |

Table 13. POLARITY INVERSION PORT 1 REGISTER

| Bit | 7 | 6 | 5 | 4 | 3 | 2 | 1 | 0 |
|---------|------|------|------|------|------|------|------|------|
| Symbol | N1.7 | N1.6 | N1.5 | N1.4 | N1.3 | N1.2 | N1.1 | N1.0 |
| Default | 0 | 0 | 0 | 0 | 0 | 0 | 0 | 0 |

Registers 6 and 7: Configuration Registers

The I/O pin directions are configured through the configuration registers. When a bit in the configuration registers is set (written with '1'), the bit's corresponding port pin is enabled as an input with the output driver in

high-impedance. When a bit is cleared (written with '0'), the corresponding port pin is enabled as an output. Note that there is a high value resistor tied to V_{DD} at each pin. At reset, the device's ports are inputs with a pull-up to V_{DD} .

Table 14. CONFIGURATION PORT 0 REGISTER

| Bit | 7 | 6 | 5 | 4 | 3 | 2 | 1 | 0 |
|---------|------|------|------|------|------|------|------|------|
| Symbol | C0.7 | C0.6 | C0.5 | C0.4 | C0.3 | C0.2 | C0.1 | C0.0 |
| Default | 1 | 1 | 1 | 1 | 1 | 1 | 1 | 1 |

Table 15. CONFIGURATION PORT 1 REGISTER

| Bit | 7 | 6 | 5 | 4 | 3 | 2 | 1 | 0 |
|---------|------|------|------|------|------|------|------|------|
| Symbol | C1.7 | C1.6 | C1.5 | C1.4 | C1.3 | C1.2 | C1.1 | C1.0 |
| Default | 1 | 1 | 1 | 1 | 1 | 1 | 1 | 1 |

Power-on Reset

Upon application of power, an internal Power-On Reset (POR) holds the PCA9655E in a reset condition while V_{DD} is ramping up. When V_{DD} has reached V_{POR} , the reset condition is released and the PCA9655E registers and SMBus state machine will initialize to their default states. The reset is typically completed by the POR and the part enabled by the time the power supply is above V_{POR} . However, when doing a power reset cycle, it is necessary to lower the power supply below 0.2 V, and then restored to the operating voltage. Please refer to application note AND9169/D for recommended power-up and power-cycle reset profiles.

I/O Port (see Figure 2)

When an I/O pin is configured as an input, FETs Q1 and Q2 are off, creating a high-impedance input with a weak pull-up (100 k Ω typ) to V_{DD} . The input voltage may be raised above V_{DD} to a maximum of 5.5 V.

When the I/O pin is configured as an output, then either Q1 or Q2 is enabled, depending on the state of the Output Port register. Care should be exercised if an external voltage is applied to an I/O configured as an output because of the low-impedance path that exists between the pin and either V_{DD} or V_{SS} .

BUS TRANSACTIONS

Writing to the Port Registers

To transmit data to the PCA9655E, the bus master must first send the device address with the least significant bit set to logic 0 (see Figure 5 “PCA9655E device address”). The command byte is sent after the address and determines which registers will receive the data following the command byte.

There are eight registers within the PCA9655E. These registers are configured to operate as four register pairs:

Input Ports, Output Ports, Polarity Inversion Ports, and Configuration Ports. Data bytes are sent alternately to each register in a register pair (see Figures 6 and 7). For example, if one byte is sent to Output Port 1 (register 3), then the next byte will be stored in Output Port 0 (register 2). There is no limitation on the number of data bytes sent in one write transmission. In this way, each 8-bit register may be updated independently of the other registers.

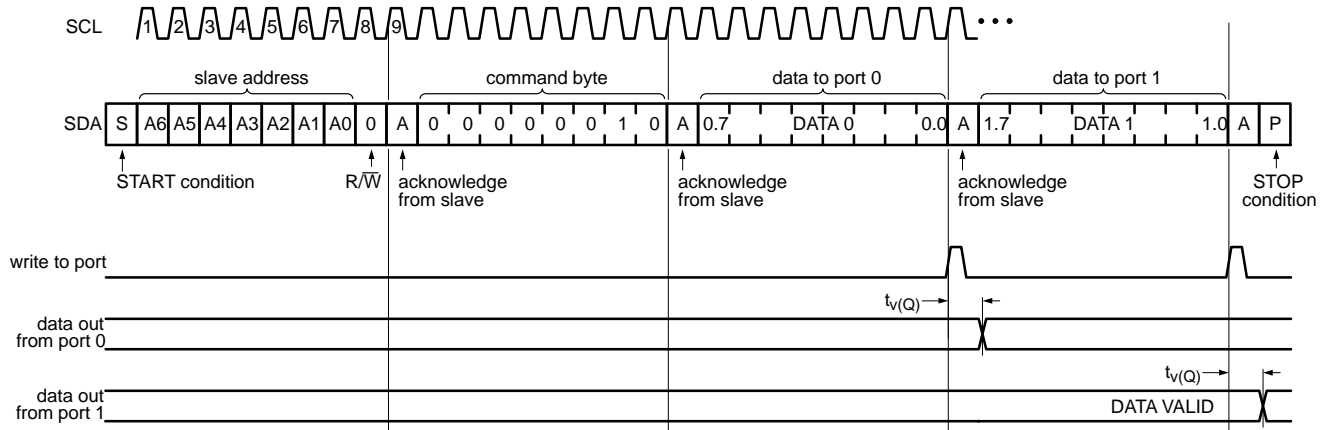


Figure 6. Write to Output Port Registers

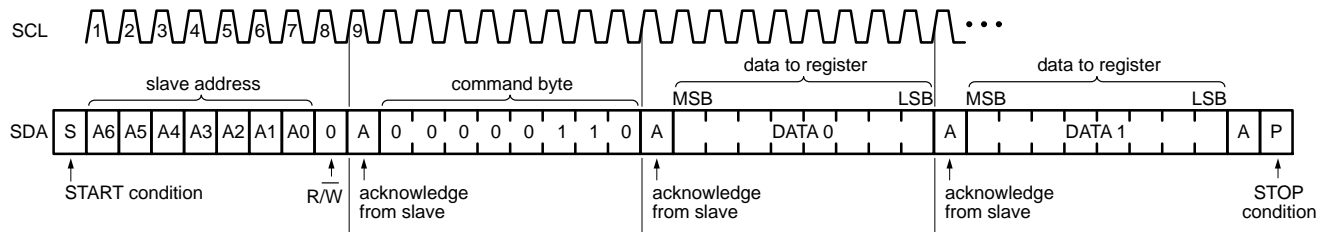


Figure 7. Write to Configuration Registers

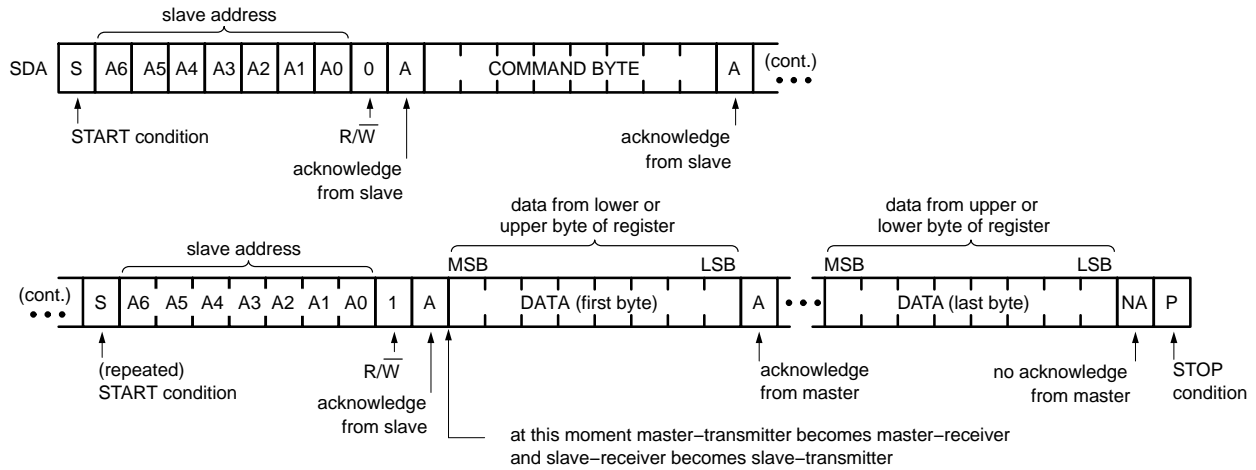
Reading the Port Registers

To read data from the PCA9655E, the bus master must first send the PCA9655E address with the least significant bit set to logic 0 (see Figure 5 “PCA9655E device address”). The command byte is sent after the address and determines which register will be accessed.

After a restart, the device address must be sent again, but this time, the least significant bit is set to logic 1. Data from the register defined by the command byte will then be sent

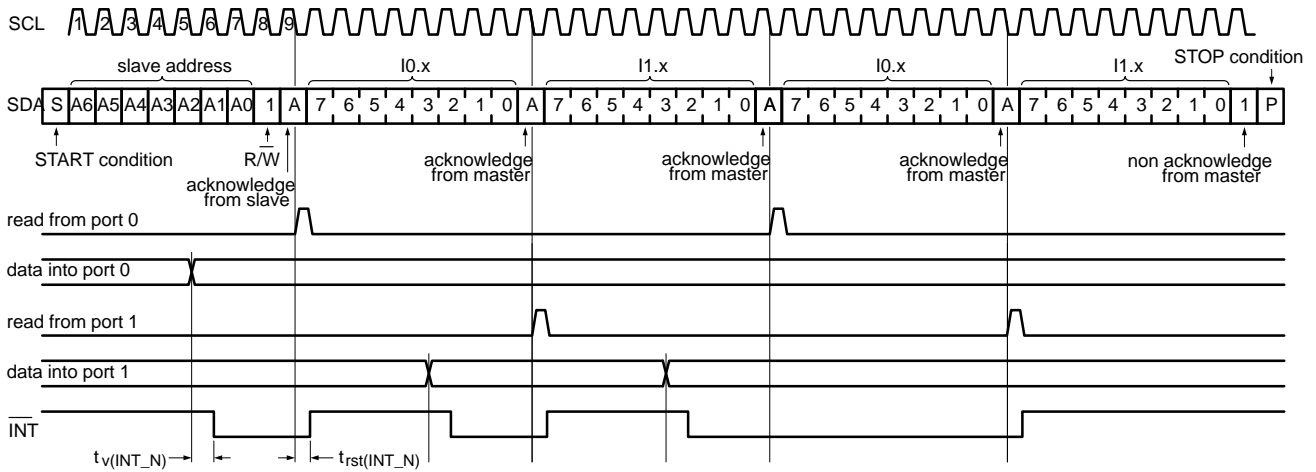
by the PCA9655E (see Figures 8, 9 and 10). Data is clocked into the register on the falling edge of the acknowledge clock pulse. After the first byte is read, additional bytes may be read but with data alternately coming from each register in the pair. For example, if you read Input Port 1, then the next byte read would be Input Port 0. There is no limitation on the number of data bytes received in one read transmission but the bus master must not acknowledge the data for the final byte received.

PCA9655E



Remark: Transfer can be stopped at any time by a STOP condition.

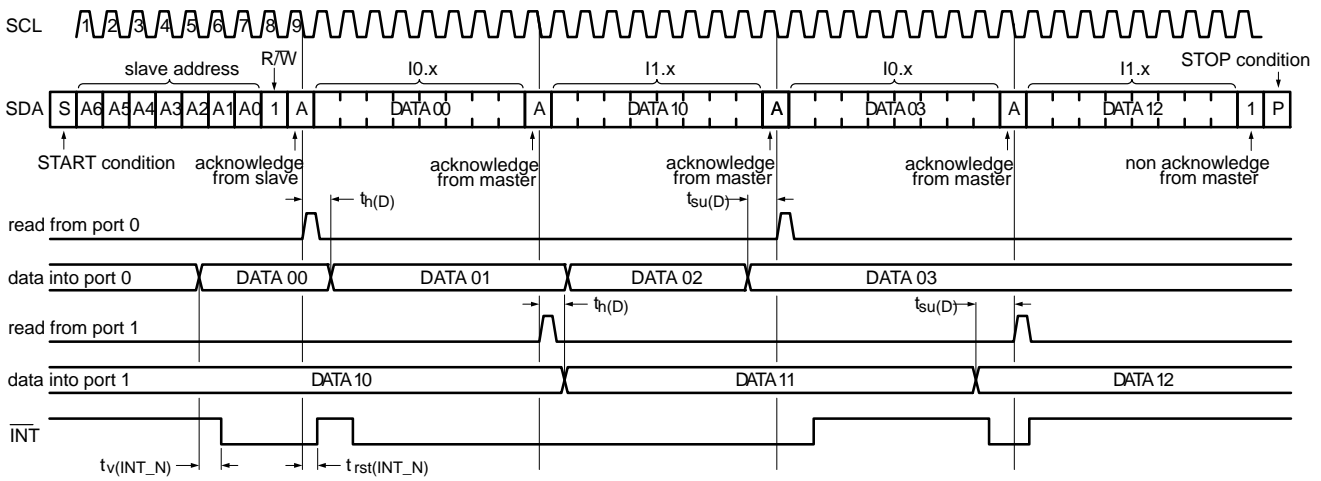
Figure 8. Read from Register



Remark: Transfer of data can be stopped at any moment by a STOP condition. When this occurs, data present at the latest acknowledge phase is valid (output mode). It is assumed that the command byte has previously been set to '00' (read Input Port register).

Figure 9. Read from Input Port Register, Scenario 1

PCA9655E



Remark: Transfer of data can be stopped at any moment by a STOP condition. When this occurs, data present at the latest acknowledge phase is valid (output mode). It is assumed that the command byte has previously been set to '00' (read Input Port register).

Figure 10. Read from Input Port Register, Scenario 2

Interrupt Output

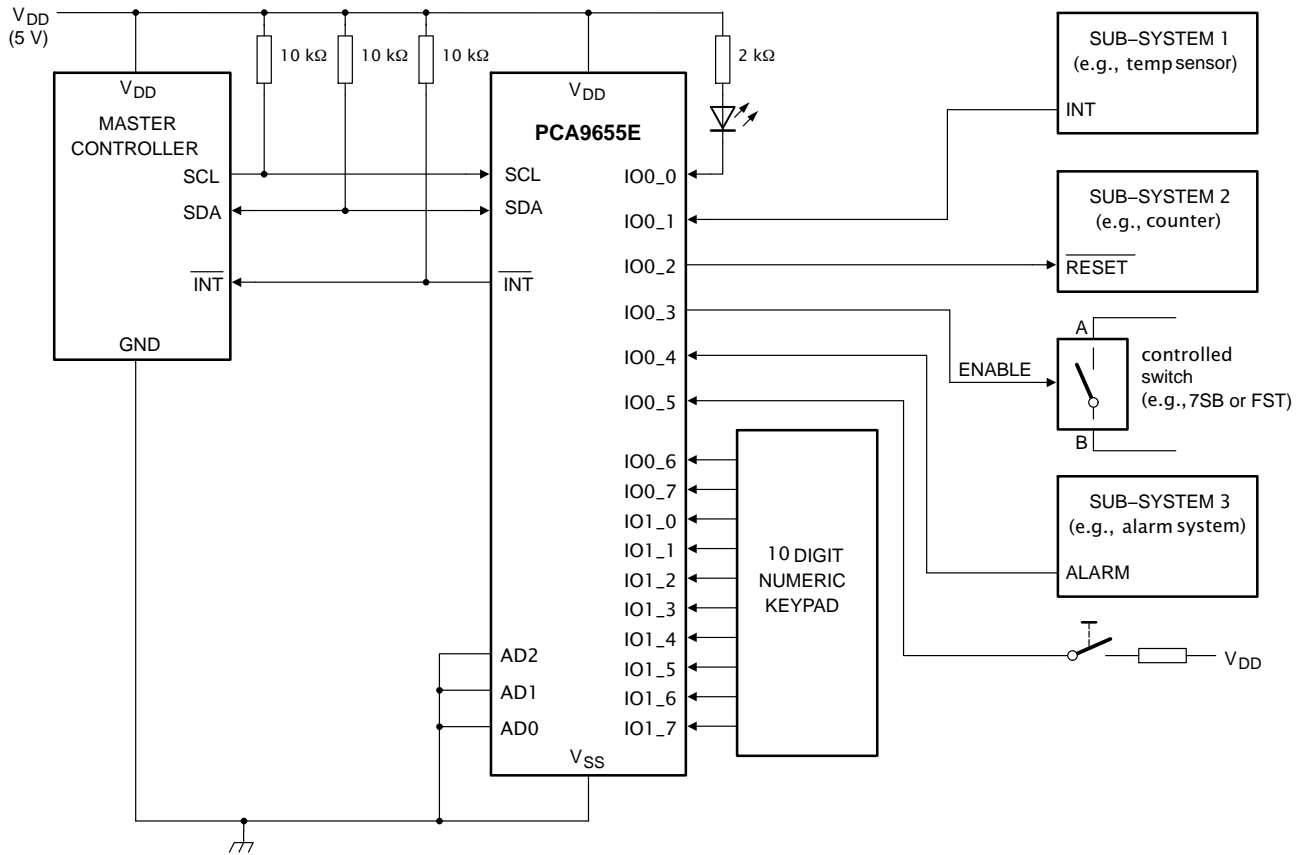
The open-drain interrupt output is activated when an I/O pin configured as an input changes state. The interrupt is deactivated when the input pin returns to its previous state or when the Input Port register is read (see Figure 9). A pin configured as an output cannot cause an interrupt. Since

each 8-bit port is read independently, the interrupt caused by Port 0 will not be cleared by a read of Port 1 or the other way around.

Remark: Changing an I/O from an output to an input may cause a false interrupt to occur if the state of the pin does not match the contents of the Input Port register.

PCA9655E

APPLICATION INFORMATION



Device address configured as 0100 000xb for this example.

IO0_0, IO0_2, IO0_3 configured as outputs.

IO0_1, IO0_4, IO0_5 configured as inputs.

IO0_6, IO0_7, and IO1_0 to IO1_7 configured as inputs.

Figure 11. Typical Application

Characteristics of the I²C-Bus

The I²C-bus is meant for 2-way, 2-line communication between different ICs or modules. The two lines are the serial data line (SDA) and the serial clock line (SCL). Both lines must be connected to a positive supply via a pull-up resistor when connected to the output stages of a device. Data transfer may only be initiated when the bus is not busy.

Bit Transfer

One data bit is transferred during each clock pulse. The data on the SDA line must remain stable during the HIGH period of the clock pulse. Changes in the data line during the HIGH period of the clock pulse will be interpreted as control signals (see Figure 12).

PCA9655E

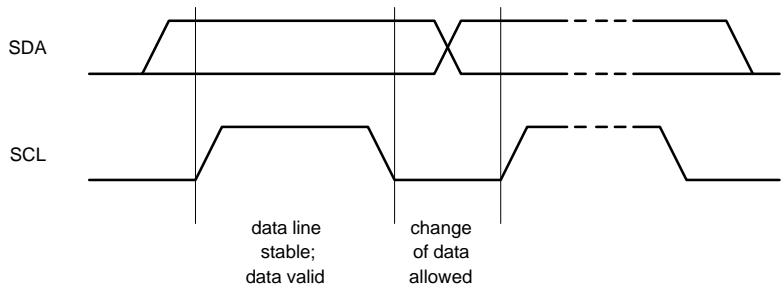


Figure 12. Bit Transfer

START and STOP Conditions

Both data and clock lines remain HIGH when the bus is not busy. A START condition (S) occurs when there is a HIGH-to-LOW transition of the data line while the clock is

HIGH. A STOP condition (P) occurs when there is a LOW-to-HIGH transition of the data line while the clock is HIGH (see Figure 13).

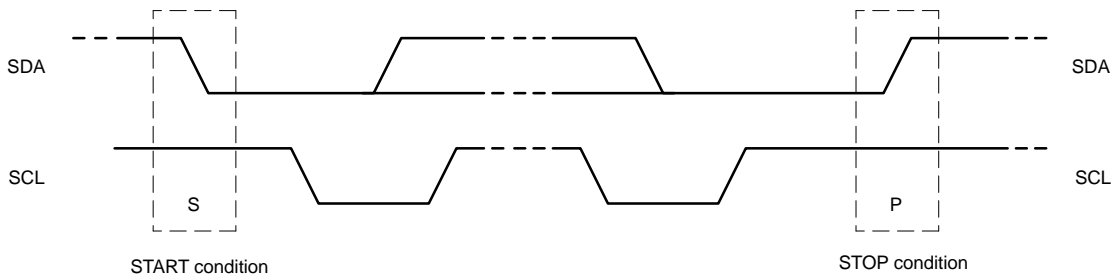


Figure 13. Definition of START and STOP Conditions

System Configuration

A device generating a message is a 'transmitter'; a device receiving is the 'receiver'. The device that controls the

message is the 'master' and the devices which are controlled by the master are the 'slaves' (see Figure 14).

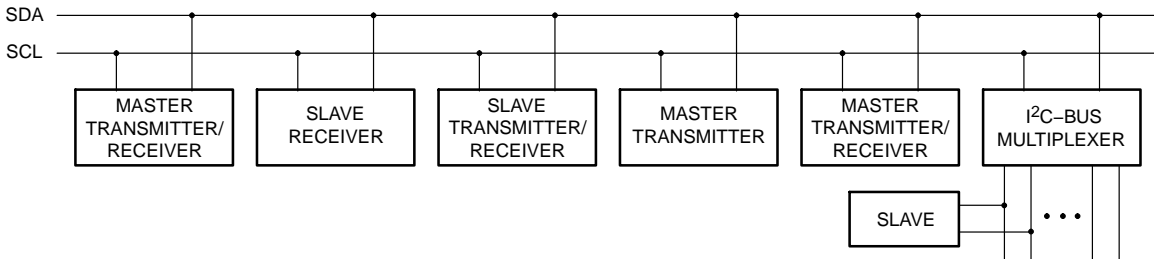


Figure 14. System Configuration

Acknowledge

The number of data bytes transferred between the START and the STOP conditions from transmitter to receiver is not limited. Each 8-bit byte is followed by one acknowledge bit. The acknowledge bit is a HIGH level put on the bus by the transmitter, whereas the master generates an extra clock pulse for the acknowledge bit.

device that acknowledges has to pull down the SDA line during the acknowledge clock pulse, such that the SDA line is stable LOW during the HIGH period of the acknowledge clock pulse; set-up time and hold time must be taken into account.

A slave receiver which is addressed must generate an acknowledge after the reception of each byte. Also, a master must generate an acknowledge after the reception of each byte that has been clocked out of the slave transmitter. The

A master receiver signals an end of data to the transmitter by not generating an acknowledge on the last byte that has been clocked out of the slave. In this event, the transmitter must leave the data line HIGH to enable the master to generate a STOP condition.

PCA9655E

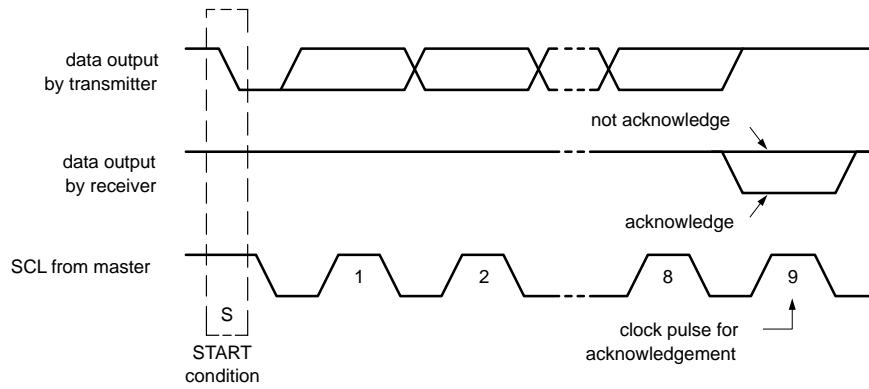


Figure 15. Acknowledgement of the I²C Bus

TIMING AND TEST SETUP

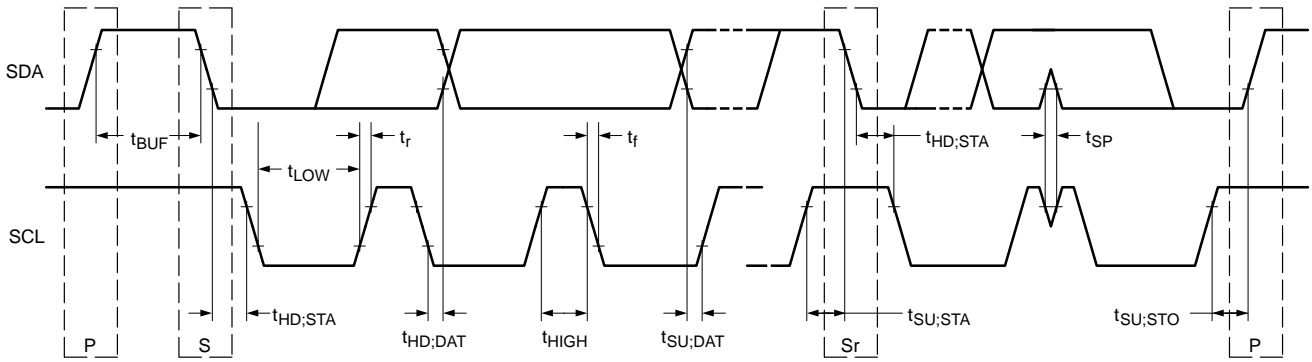
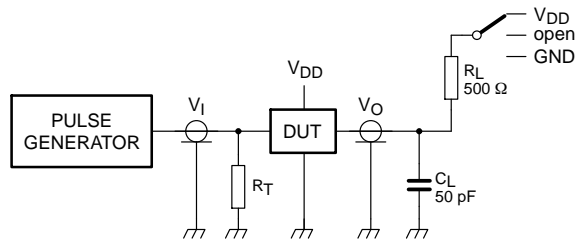


Figure 16. Definition of Timing on the I²C Bus



R_L = load resistor.

C_L = load capacitance includes jig and probe capacitance.

R_T = termination resistance should be equal to the output impedance of Z_o of the pulse generators.

Figure 17. Test Circuitry for Switching Times

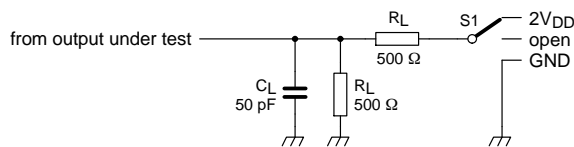


Figure 18. Load Circuit

PCA9655E

ORDERING INFORMATION

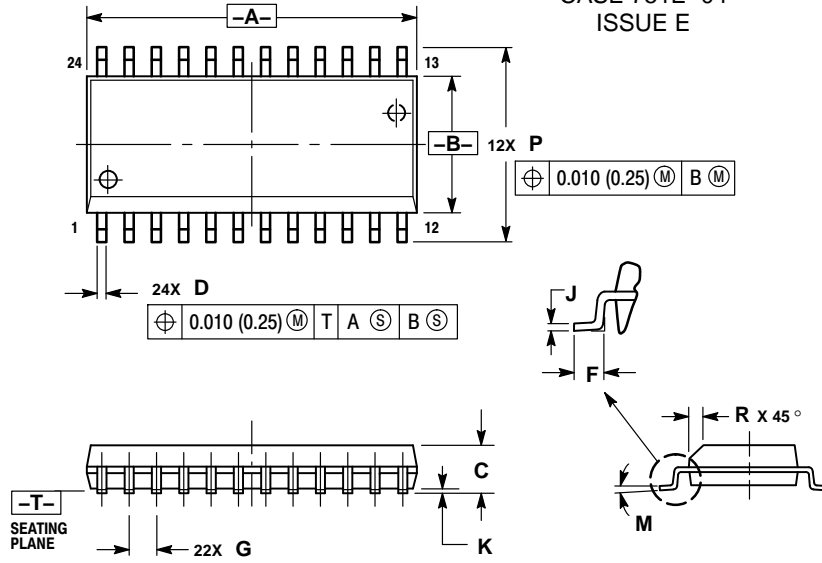
| Device | Package | Shipping† |
|---------------|-----------------------|--------------------|
| PCA9655EDWR2G | SOIC-24 (Pb-Free) | 1000 / Tape & Reel |
| PCA9655EDTR2G | TSSOP-24 (Pb-Free) | 2500 / Tape & Reel |
| PCA9655EMTTXG | WQFN24 (Pb-Free) | 3000 / Tape & Reel |

†For information on tape and reel specifications, including part orientation and tape sizes, please refer to our Tape and Reel Packaging Specifications Brochure, BRD8011/D.

PCA9655E

PACKAGE DIMENSIONS

SOIC-24
CASE 751E-04
ISSUE E



NOTES:

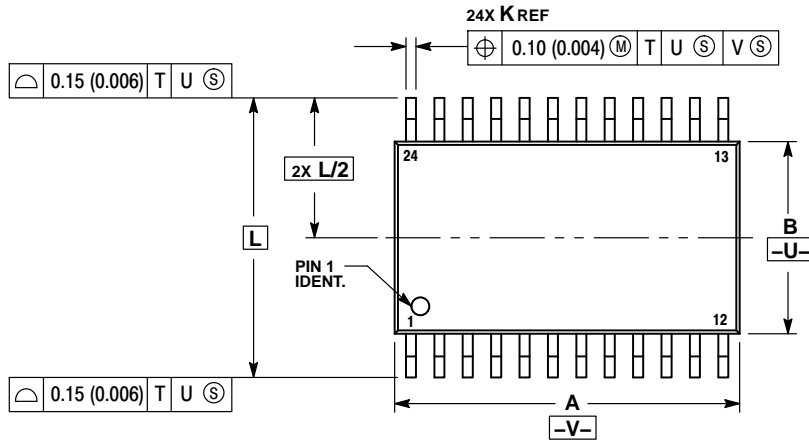
1. DIMENSIONING AND TOLERANCING PER ANSI Y14.5M, 1982.
2. CONTROLLING DIMENSION: MILLIMETER.
3. DIMENSIONS A AND B DO NOT INCLUDE MOLD PROTRUSION.
4. MAXIMUM MOLD PROTRUSION 0.15 (0.006) PER SIDE.
5. DIMENSION D DOES NOT INCLUDE DAMBAR PROTRUSION. ALLOWABLE DAMBAR PROTRUSION SHALL BE 0.13 (0.005) TOTAL IN EXCESS OF D DIMENSION AT MAXIMUM MATERIAL CONDITION.

| DIM | MILLIMETERS | | INCHES | |
|-----|-------------|-------|-----------|-------|
| | MIN | MAX | MIN | MAX |
| A | 15.25 | 15.54 | 0.601 | 0.612 |
| B | 7.40 | 7.60 | 0.292 | 0.299 |
| C | 2.35 | 2.65 | 0.093 | 0.104 |
| D | 0.35 | 0.49 | 0.014 | 0.019 |
| F | 0.41 | 0.90 | 0.016 | 0.035 |
| G | 1.27 BSC | | 0.050 BSC | |
| J | 0.23 | 0.32 | 0.009 | 0.013 |
| K | 0.13 | 0.29 | 0.005 | 0.011 |
| M | 0° | 8° | 0° | 8° |
| P | 10.05 | 10.55 | 0.395 | 0.415 |
| R | 0.25 | 0.75 | 0.010 | 0.029 |

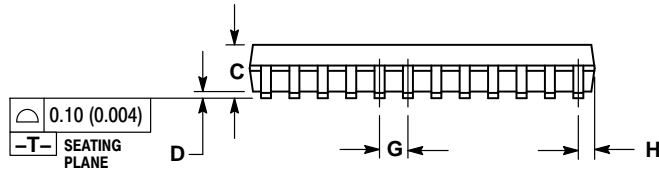
PCA9655E

PACKAGE DIMENSIONS

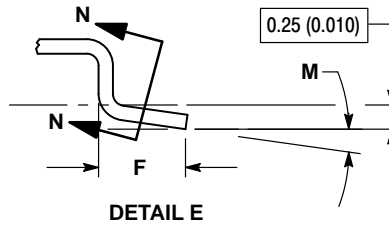
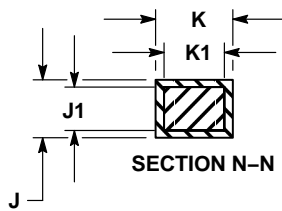
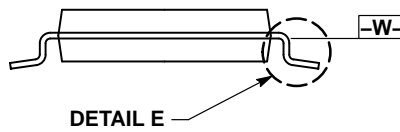
24 LEAD TSSOP CASE 948H ISSUE A



- NOTES:
1. DIMENSIONING AND TOLERANCING PER ANSI Y14.5M, 1982.
 2. CONTROLLING DIMENSION: MILLIMETER.
 3. DIMENSION A DOES NOT INCLUDE MOLD FLASH, PROTRUSIONS OR GATE BURRS. MOLD FLASH OR GATE BURRS SHALL NOT EXCEED 0.15 (0.006) PER SIDE.
 4. DIMENSION B DOES NOT INCLUDE INTERLEAD FLASH OR PROTRUSION. INTERLEAD FLASH OR PROTRUSION SHALL NOT EXCEED 0.25 (0.010) PER SIDE.
 5. DIMENSION K DOES NOT INCLUDE DAMBAR PROTRUSION. ALLOWABLE DAMBAR PROTRUSION SHALL BE 0.08 (0.003) TOTAL IN EXCESS OF THE K DIMENSION AT MAXIMUM MATERIAL CONDITION.
 6. TERMINAL NUMBERS ARE SHOWN FOR REFERENCE ONLY.
 7. DIMENSION A AND B ARE TO BE DETERMINED AT DATUM PLANE -V-.



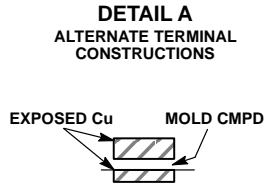
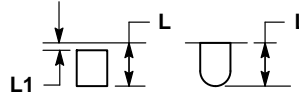
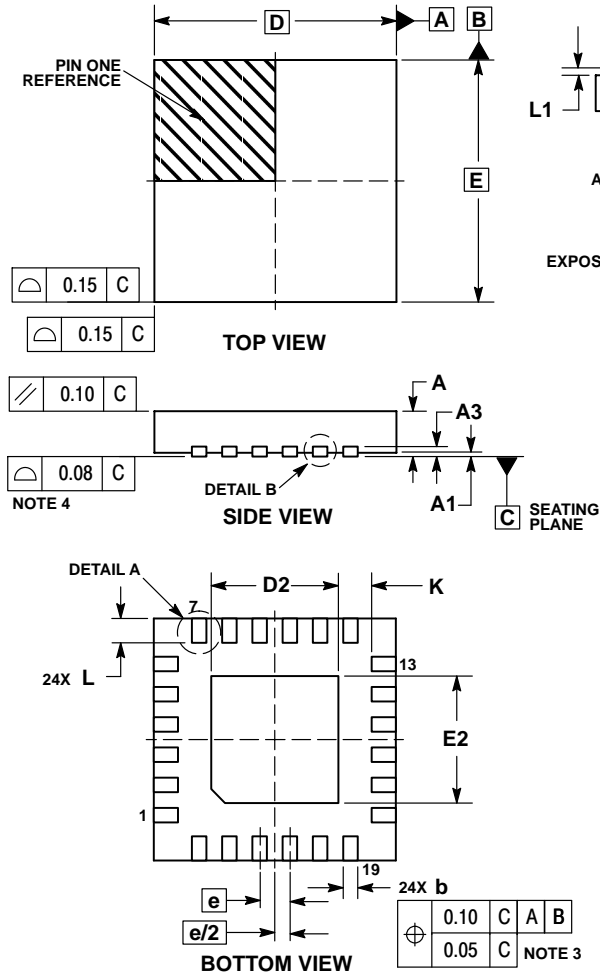
| DIM | MILLIMETERS | | INCHES | |
|-----|-------------|------|-----------|-------|
| | MIN | MAX | MIN | MAX |
| A | 7.70 | 7.90 | 0.303 | 0.311 |
| B | 4.30 | 4.50 | 0.169 | 0.177 |
| C | --- | 1.20 | --- | 0.047 |
| D | 0.05 | 0.15 | 0.002 | 0.006 |
| F | 0.50 | 0.75 | 0.020 | 0.030 |
| G | 0.65 BSC | | 0.026 BSC | |
| H | 0.27 | 0.37 | 0.011 | 0.015 |
| J | 0.09 | 0.20 | 0.004 | 0.008 |
| J1 | 0.09 | 0.16 | 0.004 | 0.006 |
| K | 0.19 | 0.30 | 0.007 | 0.012 |
| K1 | 0.19 | 0.25 | 0.007 | 0.010 |
| L | 6.40 BSC | | 0.252 BSC | |
| M | 0° | 8° | 0° | 8° |



PCA9655E

PACKAGE DIMENSIONS

WQFN24 4x4, 0.5P
CASE 485BG
ISSUE A

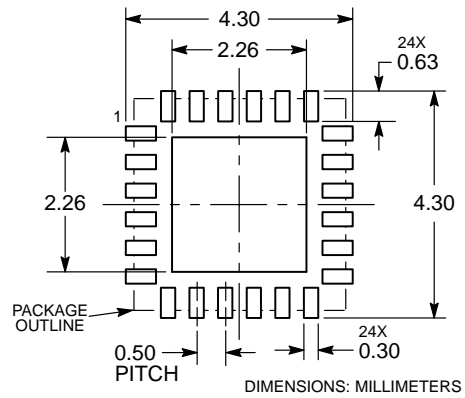


NOTES:

1. DIMENSIONING AND TOLERANCING PER ASME Y14.5M, 1994.
2. CONTROLLING DIMENSION: MILLIMETERS.
3. DIMENSION b APPLIES TO PLATED TERMINAL AND IS MEASURED BETWEEN 0.15 AND 0.30 MM FROM TERMINAL TIP.
4. COPLANARITY APPLIES TO THE EXPOSED PAD AS WELL AS THE TERMINALS.

| DIM | MILLIMETERS | |
|-----|-------------|------|
| | MIN | MAX |
| A | 0.70 | 0.80 |
| A1 | 0.00 | 0.05 |
| A3 | 0.20 | REF |
| b | 0.20 | 0.30 |
| D | 4.00 | BSC |
| D2 | 2.00 | 2.20 |
| E | 4.00 | BSC |
| E2 | 2.00 | 2.20 |
| e | 0.50 | BSC |
| K | 0.20 | --- |
| L | 0.30 | 0.50 |
| L1 | 0.00 | 0.15 |

MOUNTING FOOTPRINT*



*For additional information on our Pb-Free strategy and soldering details, please download the ON Semiconductor Soldering and Mounting Techniques Reference Manual, SOLDERRM/D.

ON Semiconductor and are registered trademarks of Semiconductor Components Industries, LLC (SCILLC). SCILLC reserves the right to make changes without further notice to any products herein. SCILLC makes no warranty, representation or guarantee regarding the suitability of its products for any particular purpose, nor does SCILLC assume any liability arising out of the application or use of any product or circuit, and specifically disclaims any and all liability, including without limitation special, consequential or incidental damages. "Typical" parameters which may be provided in SCILLC data sheets and/or specifications can and do vary in different applications and actual performance may vary over time. All operating parameters, including "Typicals" must be validated for each customer application by customer's technical experts. SCILLC does not convey any license under its patent rights nor the rights of others. SCILLC products are not designed, intended, or authorized for use as components in systems intended for surgical implant into the body, or other applications intended to support or sustain life, or for any other application in which the failure of the SCILLC product could create a situation where personal injury or death may occur. Should Buyer purchase or use SCILLC products for any such unintended or unauthorized application, Buyer shall indemnify and hold SCILLC and its officers, employees, subsidiaries, affiliates, and distributors harmless against all claims, costs, damages, and expenses, and reasonable attorney fees arising out of, directly or indirectly, any claim of personal injury or death associated with such unintended or unauthorized use, even if such claim alleges that SCILLC was negligent regarding the design or manufacture of the part. SCILLC is an Equal Opportunity/Affirmative Action Employer. This literature is subject to all applicable copyright laws and is not for resale in any manner.

PUBLICATION ORDERING INFORMATION

LITERATURE FULFILLMENT:
Literature Distribution Center for ON Semiconductor
P.O. Box 5163, Denver, Colorado 80217 USA
Phone: 303-675-2175 or 800-344-3860 Toll Free USA/Canada
Fax: 303-675-2176 or 800-344-3867 Toll Free USA/Canada
Email: orderlit@onsemi.com

N. American Technical Support: 800-282-9855 Toll Free USA/Canada
Europe, Middle East and Africa Technical Support:
Phone: 421 33 790 2910
Japan Customer Focus Center
Phone: 81-3-5817-1050

ON Semiconductor Website: www.onsemi.com
Order Literature: <http://www.onsemi.com/orderlit>
For additional information, please contact your local Sales Representative



Стандарт Электрон Связь

Мы молодая и активно развивающаяся компания в области поставок электронных компонентов. Мы поставляем электронные компоненты отечественного и импортного производства напрямую от производителей и с крупнейших складов мира.

Благодаря сотрудничеству с мировыми поставщиками мы осуществляем комплексные и плановые поставки широчайшего спектра электронных компонентов.

Собственная эффективная логистика и склад в обеспечивает надежную поставку продукции в точно указанные сроки по всей России.

Мы осуществляем техническую поддержку нашим клиентам и предпродажную проверку качества продукции. На все поставляемые продукты мы предоставляем гарантию .

Осуществляем поставки продукции под контролем ВП МО РФ на предприятия военно-промышленного комплекса России , а также работаем в рамках 275 ФЗ с открытием отдельных счетов в уполномоченном банке. Система менеджмента качества компании соответствует требованиям ГОСТ ISO 9001.

Минимальные сроки поставки, гибкие цены, неограниченный ассортимент и индивидуальный подход к клиентам являются основой для выстраивания долгосрочного и эффективного сотрудничества с предприятиями радиоэлектронной промышленности, предприятиями ВПК и научно-исследовательскими институтами России.

С нами вы становитесь еще успешнее!

Наши контакты:

Телефон: +7 812 627 14 35

Электронная почта: sales@st-electron.ru

Адрес: 198099, Санкт-Петербург,
Промышленная ул, дом № 19, литера Н,
помещение 100-Н Офис 331