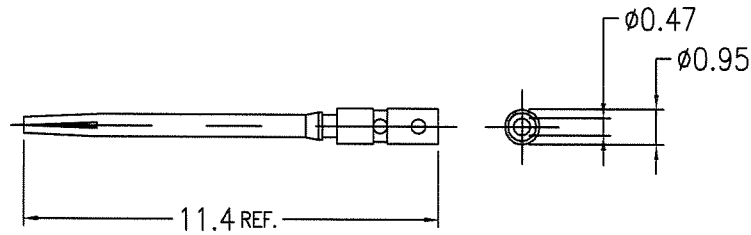
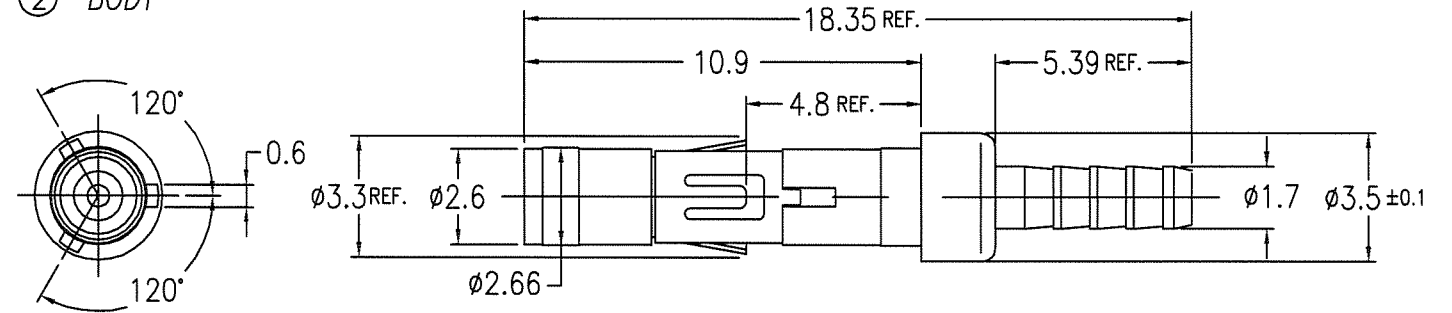


PRODUCT NO.	CABLES
62435-001	RG196A/U
-001LF	RG178B/U
	0.8DS-PBE
62435-101	RG196A/U
-101LF	RG178B/U
	0.8DS-PBE

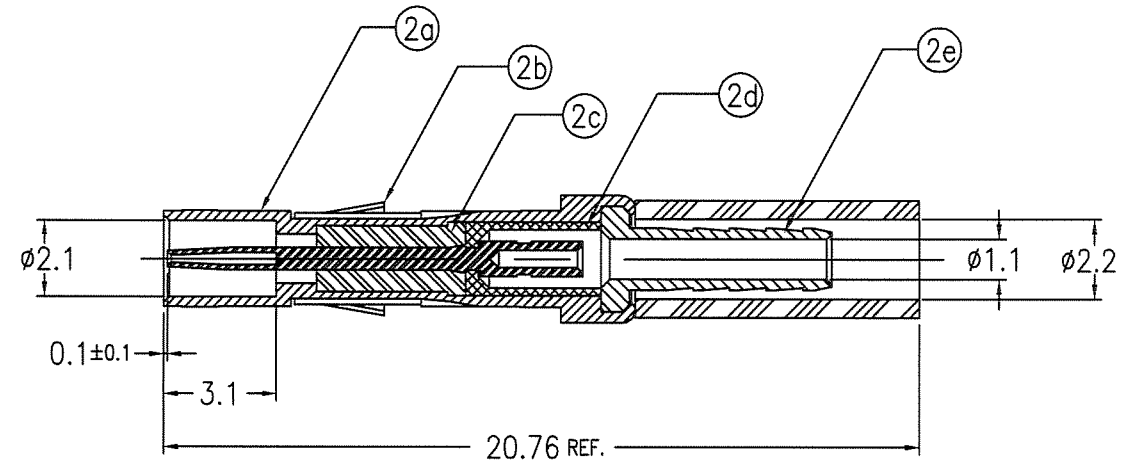
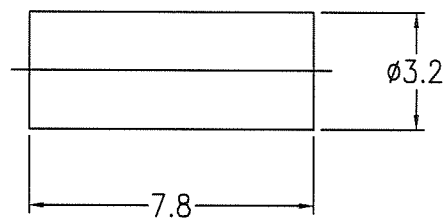
① INNER CONTACT



② BODY



③ CRIMP SLEEVE



AFTER ASSY

NOTES

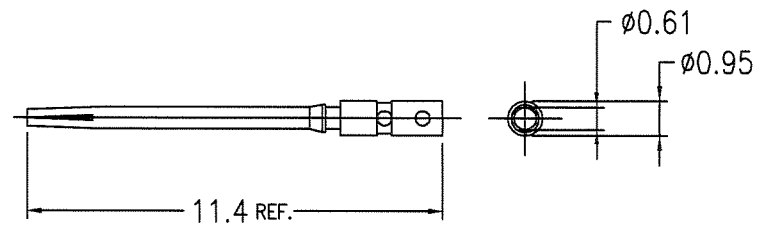
- PULL OUT FOR OF CENTER CONTACT MUST BE 0.2N MIN. / 0.8N MAX.
- ASSEMBLE PRODUCT WITH TOOL HT430 USE INSERTS EPL 193460-001
- FOR LEAD FREE P/N, THE PRODUCT MEET EUROPEAN UNION DIRECTIVES AND OTHER COUNTRY REGULATIONS AS DESCRIBED IN GS-22-008
- THE PRODUCT IS NOT INTENDED TO BE EXPOSED TO A MANUFACTURING SOLDER PROCESS.

No.	DESCRIPTION	MATERIAL	PLATING
①	INNER CONTACT	BERYLLIUM COPPER	Au 1.27um MIN. (FOR -001) Au 0.8um MIN. (FOR -101)
②	BODY		
②a	SHELL	BRASS	Au 1.27um MIN. (FOR -001) Au 0.8um MIN. (FOR -101)
②b	SPRING CLIP	BERYLLIUM COPPER	Ni 1.27um MIN.
②c	FRONT INSULATOR	PTFE	
②d	REAR INSULATOR	PTFE	
②e	FERRULE	BRASS	Au 0.05um MIN.
③	CRIMP SLEEVE	BRASS	Au 0.05um MIN. (FOR -001) Ni 1.27um MIN. (FOR -101)

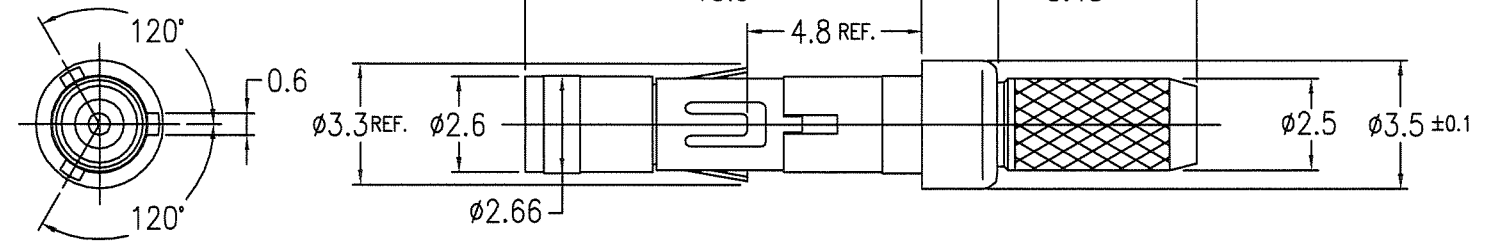
mat'l. code				surface		tolerance		projection		product family		CODE	
---				ISO 1302		ISO 406 ISO 1101		MM		METRAL		JP	
ltr	description	ecn no	dr	date	tolerances unless otherwise specified			MM		title			
D	REVISED	J00331	Y.K	5/10/'00	angles	linear	0.X	±0.2	METRAL MINICOAX CONTACT KIT FEMALE SOLDER-TO-WIRE				
E	REVISED	J00951	Y.K	12/12/'00			0.XX	±0.2					
F	REVISED	J10393	Y.K	7/6/'01			0.XXX	±0.2					
G	REVISED	J20204	Y.K	4/10/'02	dr	Y.KODAIRA	1/28/'99	scale 5:1		dwg no		sheet 1 of 8	size
H	REVISED	J03-0172	Y.K	4/10/'03	enr	S.OKUDAIRA	1/22/'07	FCJ		62435		A3	
J	REVISED	J05-0670	T.S	10/21/'05	chr	R. Shoji	4/22/'07			type		Customer Drawing	
K	REVISED	J07-0039	S.O	1/22/'07	appd	S. Okudaira	1/22/'07						
sheet	revision	K	F	E	E	D	C	C	C			Rev.	
index	sheet	1	2	3	4	5	6	7	8			K	

PRODUCT NO.	CABLES
62435-002	RG188A/U
-002LF	RG316/U
62435-102	RG188A/U
-102LF	RG316/U

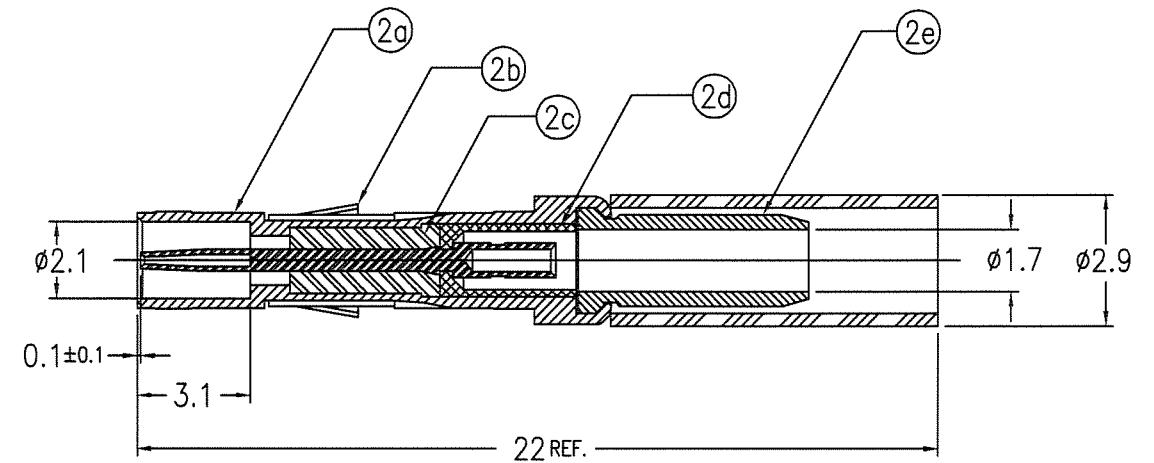
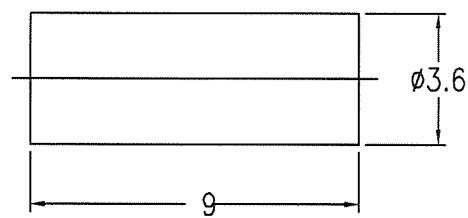
① INNER CONTACT



② BODY



③ CRIMP SLEEVE



No.	DESCRIPTION	MATERIAL	
①	INNER CONTACT	BERYLLIUM COPPER	Au 1.27um MIN. (FOR -002) Au 0.8um MIN. (FOR -102)
②	BODY		
②a	SHELL	BRASS	Au 1.27um MIN. (FOR -002) Au 0.8um MIN. (FOR -102)
②b	SPRING CLIP	BERYLLIUM COPPER	Ni 1.27um MIN.
②c	FRONT INSULATOR	PTFE	
②d	REAR INSULATOR	PTFE	
②e	FERRULE	BRASS	Au 0.05um MIN.
③	CRIMP SLEEVE	BRASS	Au 0.05um MIN. (FOR -002) Ni 1.27um MIN. (FOR -102)

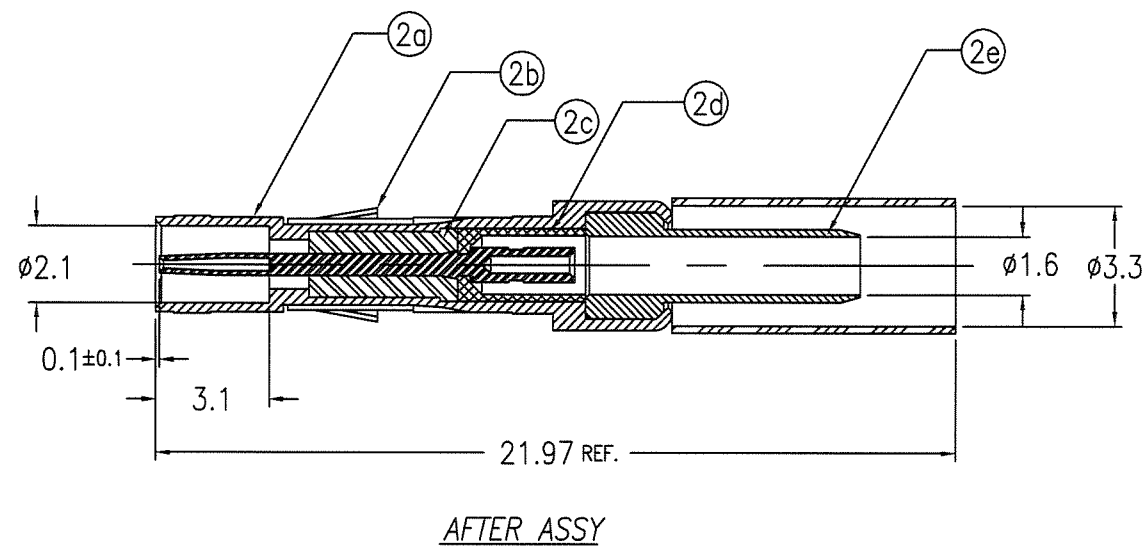
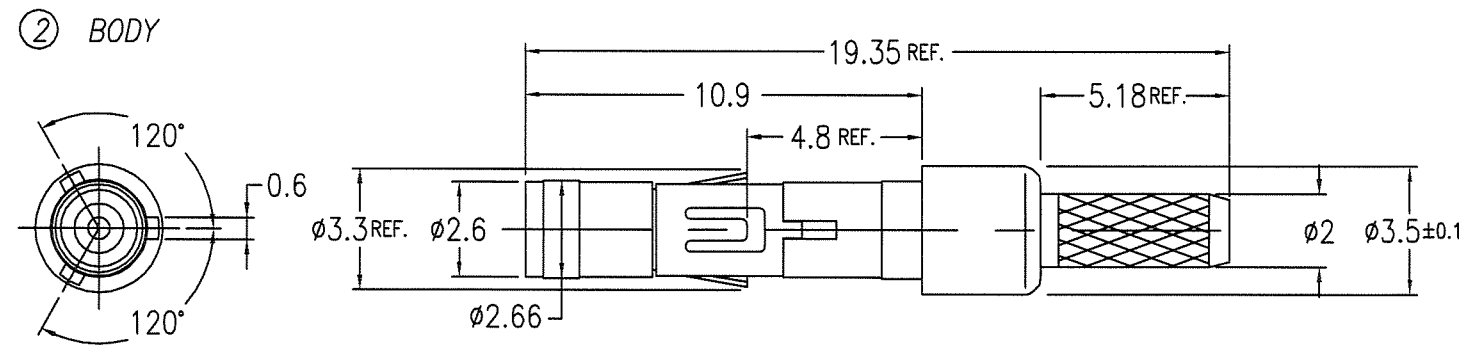
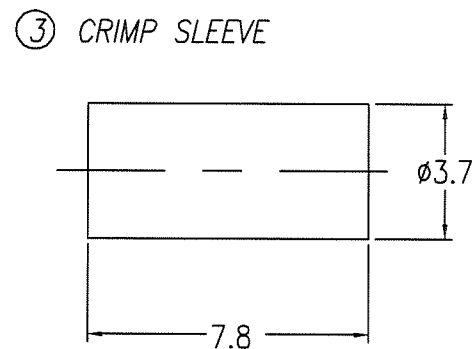
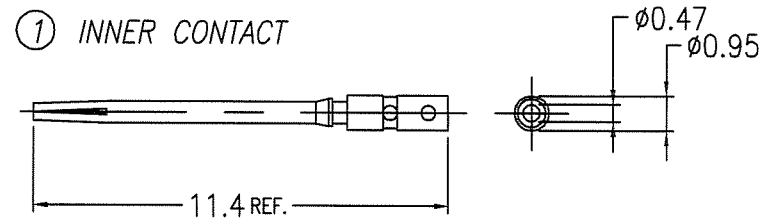
NOTES

- PULL OUT FOR OF CENTER CONTACT MUST BE 0.2N MIN. / 0.8N MAX.
- ASSEMBLE PRODUCT WITH TOOL HT430 USE INSERTS EPL 193460-001
- FOR LEAD FREE P/N, THE PRODUCT MEET EUROPEAN UNION DIRECTIVES AND OTHER COUNTRY REGULATIONS AS DESCRIBED IN GS-22-008
- THE PRODUCT IS NOT INTENDED TO BE EXPOSED TO A MANUFACTURING SOLDER PROCESS.

AFTER ASSY

mat'l. code ---				surface ISO 1302 ✓	tolerance ISO 406 ISO 1101	projection	product family METRAL	CODE JP
ltr	description	ecn no	dr	date	tolerances unless otherwise specified	MM	title	
A	REVISED	J90110	Y.K	3/31/99	0.X ±0.2	scale 5:1	METRAL MINICOAX CONTACT KIT FEMALE SOLDER-TO-WIRE	
B	REVISED	J00062	Y.K	1/21/00	0.XX ±0.2			
C	REVISED	J00331	Y.K	5/10/00	0'±3'		dwg no 62435 sheet 2 of 2 size A3	
D	REVISED	J20204	Y.K	4/10/02	dr Y.KODAIRA	3/31/99	type Customer Drawing	
E	REVISED	J05-0670	T.S	10/21/05	enr S.OKUDAIRA	1/22/07	Rev. F	
F	REVISED	J07-0039	S.O	1/22/07	chr R. Shoyi	1/22/07		
sheet index		revision sheet		appd J. Okuda				

PRODUCT NO.	CABLES	CABLES
62435-003	DOUBLE SHIELDED TYPE M17/152-0001(HARBOUR INDUSTRIES)	
-003LF		
62435-103	DOUBLE SHIELDED TYPE M17/152-0001(HARBOUR INDUSTRIES)	
-103LF		



No.	DESCRIPTION	MATERIAL	PLATING
①	INNER CONTACT	BERYLLIUM COPPER	Au 1.27um MIN. (FOR -003) Au 0.8um MIN. (FOR -103)
②	BODY		
②a	SHELL	BRASS	Au 1.27um MIN. (FOR -003) Au 0.8um MIN. (FOR -103)
②b	SPRING CLIP	BERYLLIUM COPPER	Ni 1.27um MIN.
②c	FRONT INSULATOR	PTFE	
②d	REAR INSULATOR	PTFE	
②e	FERRULE	BRASS	Au 0.05um MIN.
③	CRIMP SLEEVE	BRASS	Au 0.05um MIN. (FOR -003) Ni 1.27um MIN. (FOR -103)

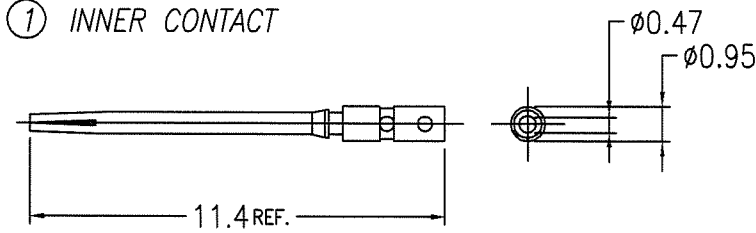
NOTES

- PULL OUT FOR OF CENTER CONTACT MUST BE 0.2N MIN. / 0.8N MAX.
- ASSEMBLE PRODUCT WITH TOOL HT430 USE INSERTS EPL 193460-001
- FOR LEAD FREE P/N, THE PRODUCT MEET EUROPEAN UNION DIRECTIVES AND OTHER COUNTRY REGULATIONS AS DESCRIBED IN GS-22-008
- THE PRODUCT IS NOT INTENDED TO BE EXPOSED TO A MANUFACTURING SOLDER PROCESS.

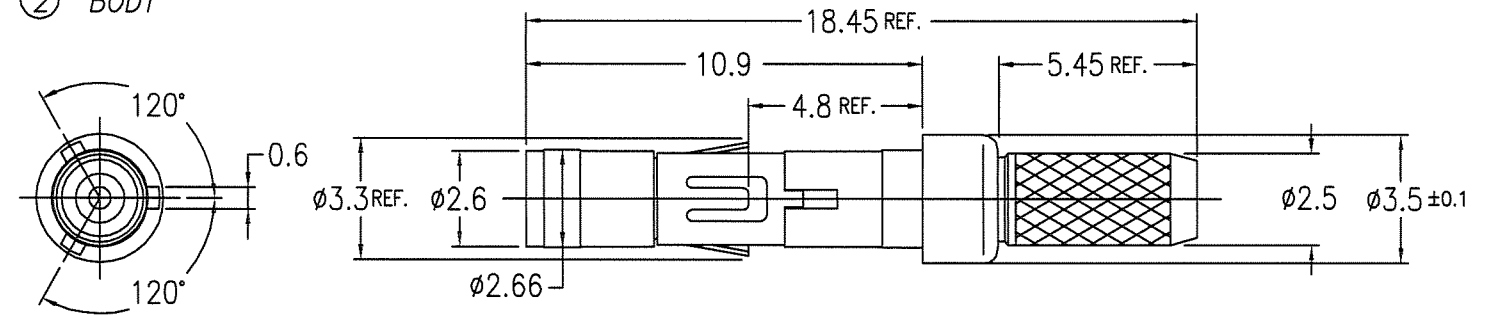
mat'l. code				surface ISO 1302		tolerance ISO 406 ISO 1101		projection		product family METRAL		CODE JP
---				ISO 1302		ISO 406 ISO 1101		MM		METRAL		JP
ltr	description	ecn no	dr	date	tolerances unless otherwise specified			MM		title		
A	RELEASED	J90036	Y.K	1/28/'99	angles	linear	0.X	±0.2	METRAL MINICOAX CONTACT KIT FEMALE SOLDER-TO-WIRE			
B	REVISED	J00062	Y.K	1/21/'00	0'±3'		0.XX	±0.2				
C	REVISED	J00331	Y.K	5/10/'00			0.XXX	±0.2	scale 5:1			
D	REVISED	J05-0670	T.S	10/21/'05	dr	Y.KODAIRA	1/28/'99	FCJ		sheet 3 of		size
E	REVISED	J07-0039	S.O	1/22/'07	enr	S.OKUDAIRA	1/22/'07	62435		A3		
					chr	R. Shoyi	1/22/'07	type Customer Drawing		Rev. E		
					appd	S. Okudaira	1/22/'07					
sheet index	revision sheet											

PRODUCT NO.	CABLES
62435-004	1.5C-XV (SUMITOMO)
-004LF	1.5C-QEV.CW (FUJIKURA)
62435-104	1.5C-XV (SUMITOMO)
-104LF	1.5C-QEV.CW (FUJIKURA)

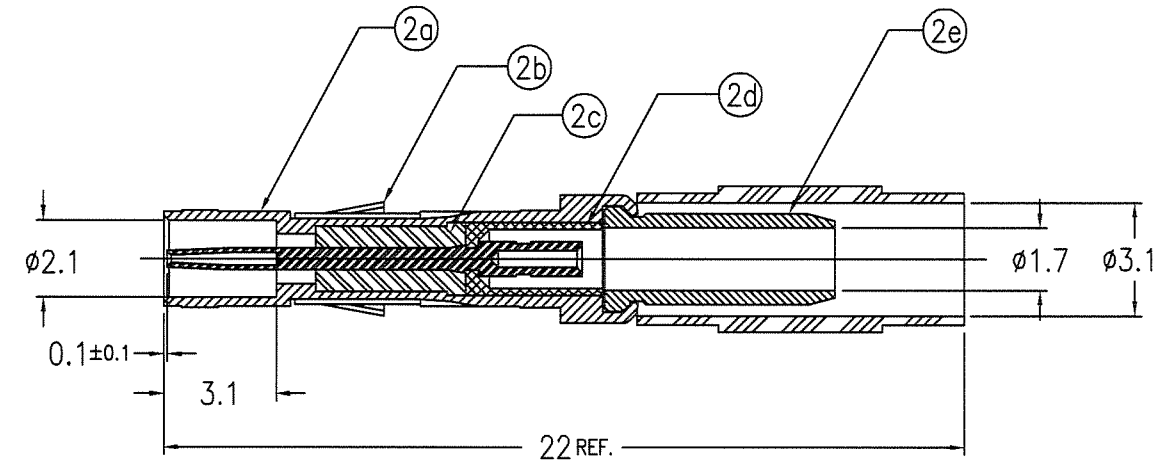
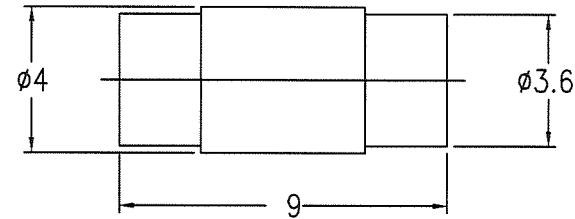
① INNER CONTACT



② BODY



③ CRIMP SLEEVE



AFTER ASSY

No.	DESCRIPTION	MATERIAL	PLATING
①	INNER CONTACT	BERYLLIUM COPPER	Au 1.27um MIN. (FOR -004) Au 0.8um MIN. (FOR -104)
②	BODY		
②a	SHELL	BRASS	Au 1.27um MIN. (FOR -004) Au 0.8um MIN. (FOR -104)
②b	SPRING CLIP	BERYLLIUM COPPER	Ni 1.27um MIN.
②c	FRONT INSULATOR	PTFE	
②d	REAR INSULATOR	PTFE	
②e	FERRULE	BRASS	Au 0.05um MIN.
③	CRIMP SLEEVE	BRASS	Au 0.05um MIN. (FOR -004) Ni 1.27um MIN. (FOR -104)

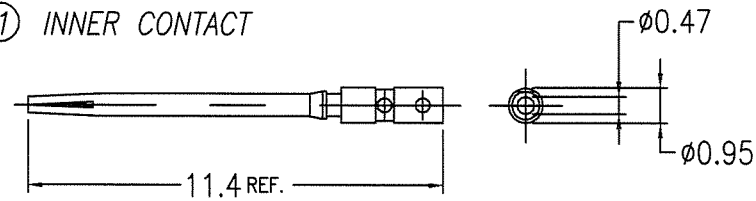
NOTES

- PULL OUT FOR OF CENTER CONTACT MUST BE 0.2N MIN. / 0.8N MAX.
- ASSEMBLE PRODUCT WITH TOOL HT430 USE INSERTS EPL 193460-001
- FOR LEAD FREE P/N, THE PRODUCT MEET EUROPEAN UNION DIRECTIVES AND OTHER COUNTRY REGULATIONS AS DESCRIBED IN GS-22-008
- THE PRODUCT IS NOT INTENDED TO BE EXPOSED TO A MANUFACTURING SOLDER PROCESS.

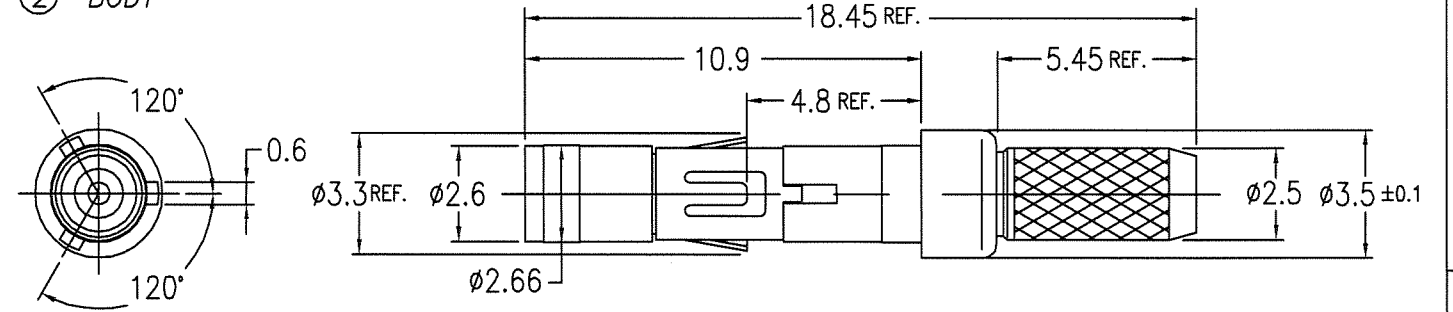
mat'l. code ---				surface ISO 1302 ✓	tolerance ISO 406 ISO 1101	projection	product family METRAL	CODE JP
ltr	description	ecn no	dr	date	tolerances unless otherwise specified		MM	title METRAL MINICOAX CONTACT KIT FEMALE SOLDER-TO-WIRE
A	RELEASED	J90036	Y.K	1/28/'99	angles	0.X ±0.2		
B	REVISED	J00062	Y.K	1/21/'00	linear	0.XX ±0.2	scale 5:1	sheet 4 of size A3
C	REVISED	J00331	Y.K	5/10/'00	0'±3'	0.XXX ±0.2		
D	REVISED	J05-0670	T.S	10/21/'05	dr	Y.KODAIRA 1/28/'99	FCJ	dwg no 62435
E	REVISED	J07-0039	S.O	1/22/'07	enr	S.OKUDAIRA 1/22/'07		
					chr	R. Shoyji 1/22/'07		
					appd	S. Madans 1/22/'07	type Customer Drawing	Rev. E
sheet index	revision sheet							

PRODUCT NO.	CABLES
62435-005	1.5C-XW (SUMITOMO)
-005LF	
62435-105	1.5C-XW (SUMITOMO)
-105LF	

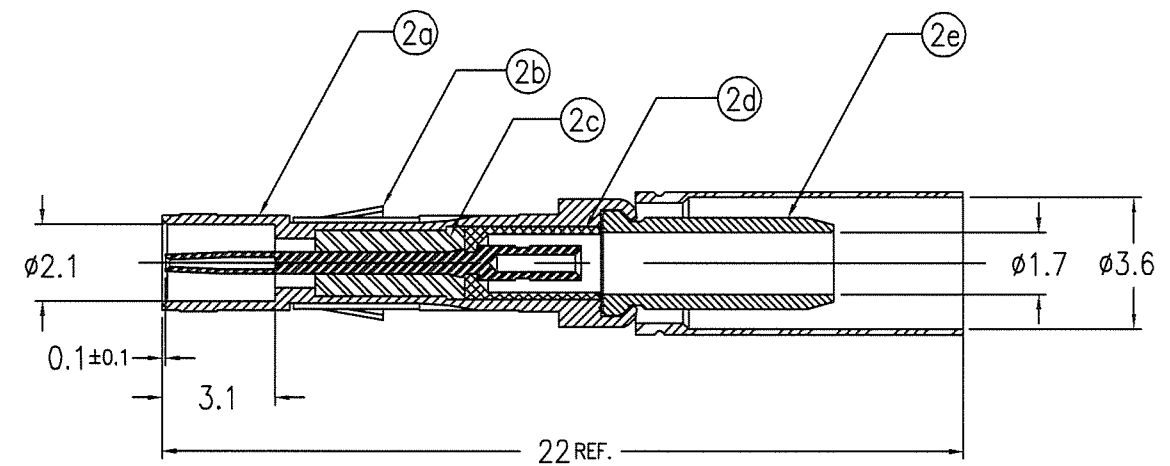
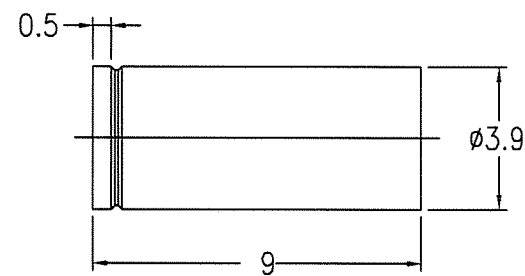
① INNER CONTACT



② BODY



② CRIMP SLEEVE



AFTER ASSY

No.	DESCRIPTION	MATERIAL	PLATING
①	INNER CONTACT	BERYLLIUM COPPER	Au 1.27um MIN. (FOR -005) Au 0.8um MIN. (FOR -105)
②	BODY		
②a	SHELL	BRASS	Au 1.27um MIN. (FOR -005) Au 0.8um MIN. (FOR -105)
②b	SPRING CLIP	BERYLLIUM COPPER	Ni 1.27um MIN.
②c	FRONT INSULATOR	PTFE	
②d	REAR INSULATOR	PTFE	
②e	FERRULE	BRASS	Au 0.05um MIN.
③	CRIMP SLEEVE	BRASS	Au 0.05um MIN. (FOR -005) Ni 1.27um MIN. (FOR -105)

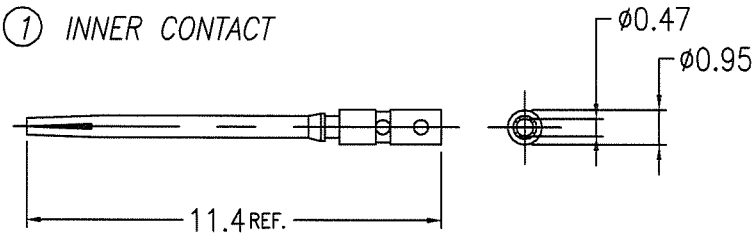
NOTES

- PULL OUT FOR OF CENTER CONTACT MUST BE 0.1N MIN. / 0.8N MAX.
- ASSEMBLE PRODUCT WITH TOOL HT430 USE INSERTS EPL 193460-001
- FOR LEAD FREE P/N, THE PRODUCT MEET EUROPEAN UNION DIRECTIVES AND OTHER COUNTRY REGULATIONS AS DESCRIBED IN GS-22-008
- THE PRODUCT IS NOT INTENDED TO BE EXPOSED TO A MANUFACTURING SOLDER PROCESS.

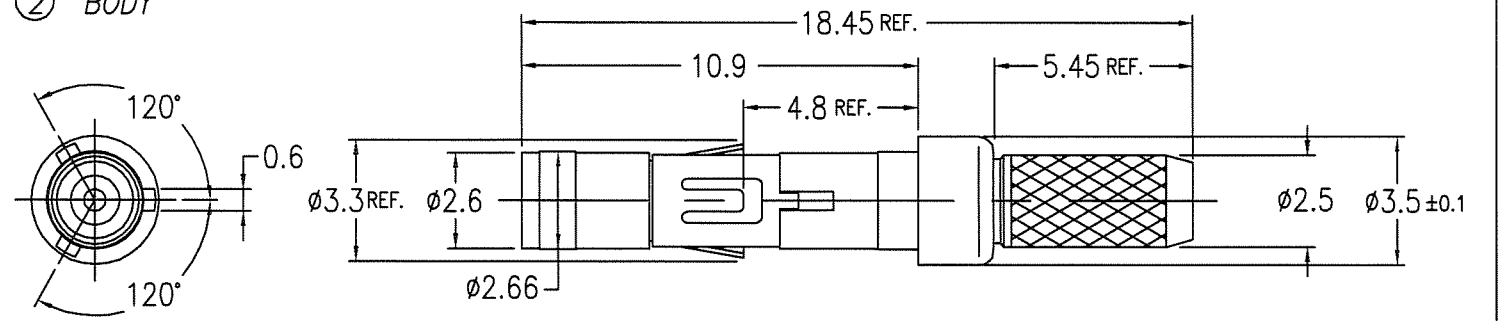
mat'l. code				surface ISO 1302		tolerance ISO 406 ISO 1101		projection		product family METRAL		CODE JP	
---				tolerances unless otherwise specified		linear		MM		title		METRAL MINICOAX CONTACT KIT FEMALE SOLDER-TO-WIRE	
ltr	description	ecn no	dr	date	angles	0.X	±0.2			sheet 5 of		size	
A	RELEASED	J00062	Y.K	1/21/00	0'±3'	0.XX	±0.2			62435		A3	
B	REVISED	J00331	Y.K	5/10/00		0.XXX	±0.2			type		Customer Drawing	
C	REVISED	J05-0670	T.S	10/21/05		scale 5:1				Rev.		D	
D	REVISED	J07-0039	S.O	1/22/07				sheet index		revision sheet			

PRODUCT NO.	CABLES
62435-006	RG187A/U RG179B/U
-006LF	
62435-106	RG187A/U RG179B/U
-106LF	

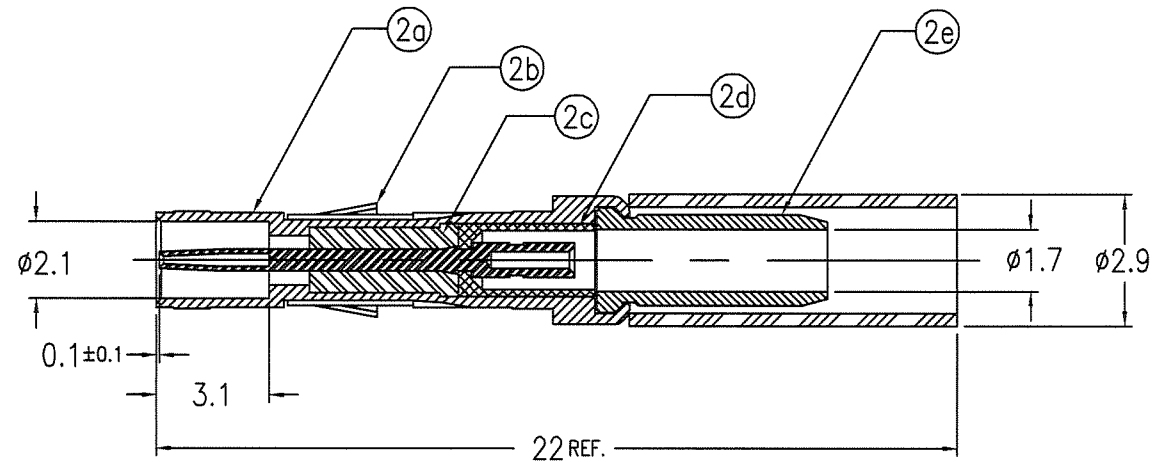
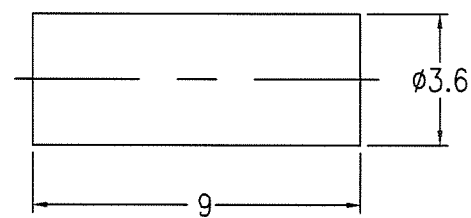
① INNER CONTACT



② BODY



③ CRIMP SLEEVE



AFTER ASSY

No.	DESCRIPTION	MATERIAL	PLATING
①	INNER CONTACT	BERYLLIUM COPPER	Au 1.27um MIN. (FOR -006) Au 0.8um MIN. (FOR -106)
②	BODY		
②a	SHELL	BRASS	Au 1.27um MIN. (FOR -006) Au 0.8um MIN. (FOR -106)
②b	SPRING CLIP	BERYLLIUM COPPER	Ni 1.27um MIN.
②c	FRONT INSULATOR	PTFE	
②d	REAR INSULATOR	PTFE	
②e	FERRULE	BRASS	Au 0.05um MIN.
③	CRIMP SLEEVE	BRASS	Au 0.05um MIN. (FOR -006) Ni 1.27um MIN. (FOR -106)

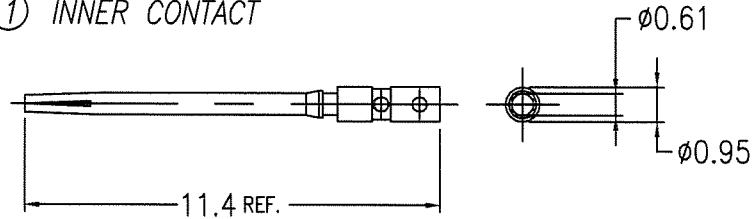
NOTES

- PULL OUT FOR OF CENTER CONTACT MUST BE 0.2N MIN. / 0.8N MAX.
- ASSEMBLE PRODUCT WITH TOOL HT430 USE INSERTS EPL 193460-001
- FOR LEAD FREE P/N, THE PRODUCT MEET EUROPEAN UNION DIRECTIVES AND OTHER COUNTRY REGULATIONS AS DESCRIBED IN GS-22-008
- THE PRODUCT IS NOT INTENDED TO BE EXPOSED TO A MANUFACTURING SOLDER PROCESS.

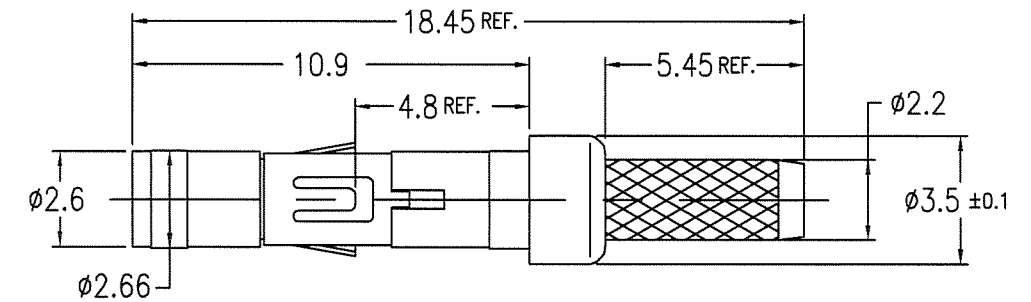
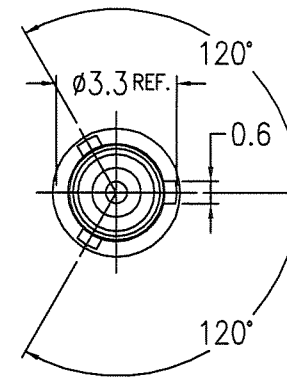
mat'l. code				surface ISO 1302		tolerance ISO 406 ISO 1101		projection		product family METRAL		CODE JP	
---				ISO 1302		tolerances unless otherwise specified		MM		title			
ltr	description	ecn no	dr	date	angles	linear	0.X	±0.2	METRAL MINICOAX CONTACT KIT FEMALE SOLDER-TO-WIRE				
A	RELEASED	J00951	Y.K	12/12/00			0.XX	±0.2					
B	REVISED	J05-0670	T.S	10/21/05			0.XXX	±0.2					
C	REVISED	J07-0039	S.O	1/22/07	0'±3'								
			dr	Y.KODAIRA	12/12/00			scale 5:1		dwg no		sheet 6 of	size
			enr	S.OKUDAIRA	1/22/07			FCJ		62435		A3	
			chr	R. Shoji	1/22/07					type		Customer Drawing	
			appd	S. Odaira	1/22/07							Rev. C	
sheet index	revision sheet												

PRODUCT NO.	CABLES
62435-007	1.5DS-PBP
-007LF	
62435-107	1.5DS-PBP
-107LF	

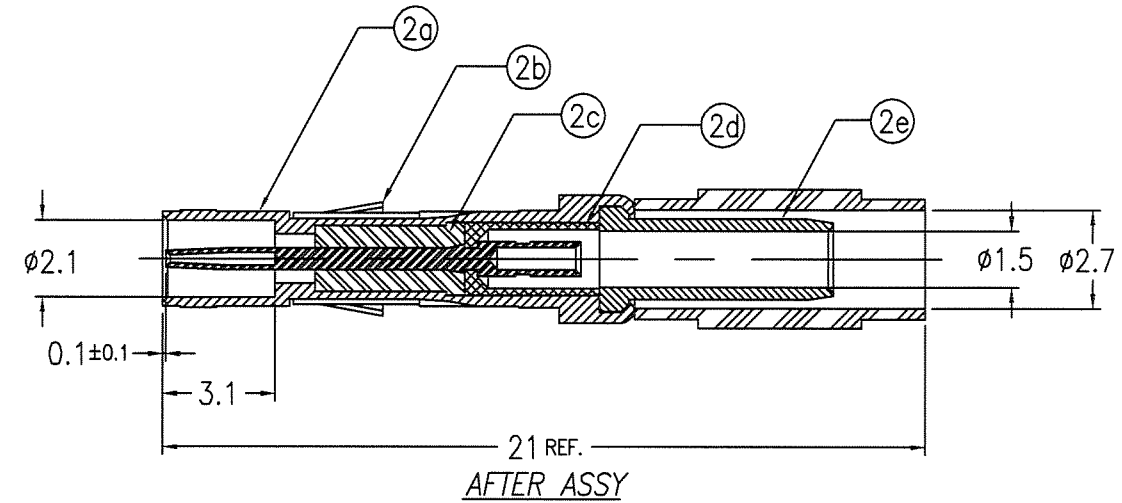
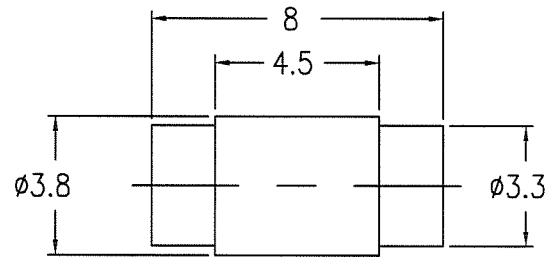
① INNER CONTACT



② BODY



③ CRIMP SLEEVE



No.	DESCRIPTION	MATERIAL	PLATING
①	INNER CONTACT	BERYLLIUM COPPER	Au 1.27um MIN. (FOR -001) Au 0.8um MIN. (FOR -101)
②	BODY		
②a	SHELL	BRASS	Au 1.27um MIN. (FOR -001) Au 0.8um MIN. (FOR -101)
②b	SPRING CLIP	BERYLLIUM COPPER	Ni 1.27um MIN.
②c	FRONT INSULATOR	PTFE	
②d	REAR INSULATOR	PTFE	
②e	FERRULE	BRASS	Au 0.05um MIN.
③	CRIMP SLEEVE	BRASS	Au 0.05um MIN. (FOR -001) Ni 1.27um MIN. (FOR -101)

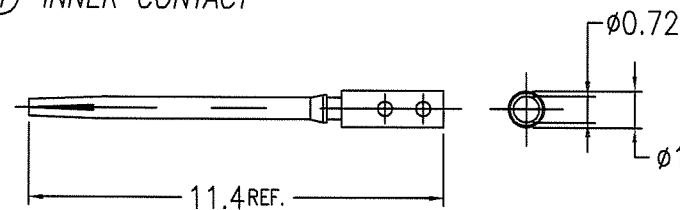
NOTES

- PULL OUT FOR OF CENTER CONTACT MUST BE 0.2N MIN. / 0.8N MAX.
- ASSEMBLE PRODUCT WITH TOOL HT430 USE INSERTS EPL 193460-001
- FOR LEAD FREE P/N, THE PRODUCT MEET EUROPEAN UNION DIRECTIVES AND OTHER COUNTRY REGULATIONS AS DESCRIBED IN GS-22-008
- THE PRODUCT IS NOT INTENDED TO BE EXPOSED TO A MANUFACTURING SOLDER PROCESS.

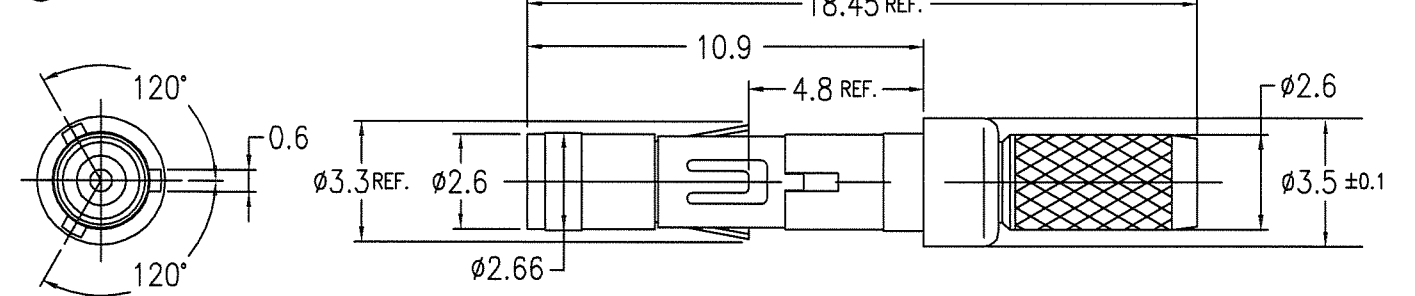
mat'l. code ---				surface ISO 1302 ✓	tolerance ISO 406 ISO 1101	projection	product family METRAL	CODE JP	
ltr	description	ecn no	dr	date	tolerances unless otherwise specified		MM	title METRAL MINICOAX CONTACT KIT FEMALE SOLDER-TO-WIRE	
A	RELEASED	J10393	Y.K	7/6/'01	angles	0.X ±0.2			
B	REVISED	J05-0670	T.S	10/21/'05	linear	0.XX ±0.2			
C	REVISED	J07-0039	S.O	1/22/'07	0'±3'	0.XXX ±0.2	scale 5:1		
				dr	Y.KODAIRA	7/6/'01	FCJ	sheet 7 of size A3	
				enr	S.OKUDAIRA	1/22/'07			
				chr	R. Shoyji	4/22/'07			
				appd	S. Okudaira	4/22/'07			
sheet index	revision sheet							type Customer Drawing	Rev. C

PRODUCT NO.	CABLES
62435-108	1.5DS-xx, 1.5D-xx
-108LF	

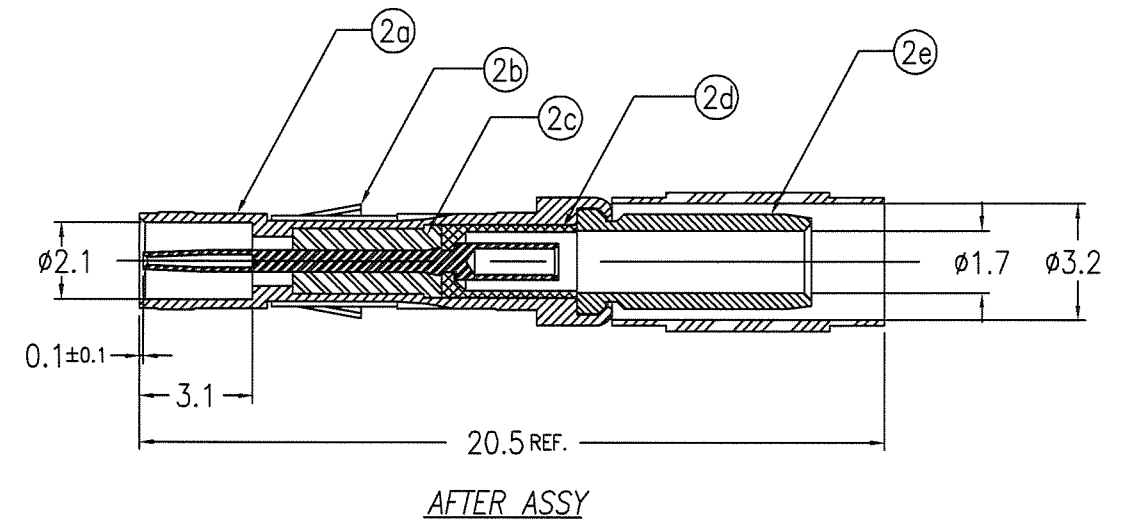
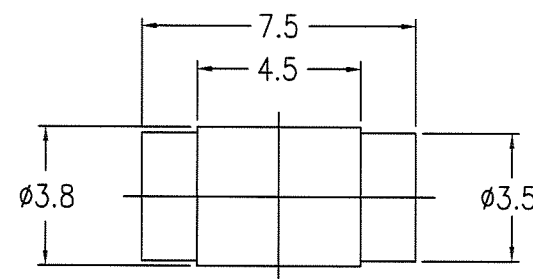
① INNER CONTACT



② BODY



③ CRIMP SLEEVE



No.	DESCRIPTION	MATERIAL	PLATING
①	INNER CONTACT	BERYLLIUM COPPER	Au 0.8um MIN.
②	BODY		
②a	SHELL	BRASS	Au 0.8um MIN.
②b	SPRING CLIP	BERYLLIUM COPPER	Ni 1.27um MIN.
②c	FRONT INSULATOR	PTFE	
②d	REAR INSULATOR	PTFE	
②e	FERRULE	BRASS	Au 0.05um MIN.
③	CRIMP SLEEVE	BRASS	Ni 1.27um MIN.

NOTES

- PULL OUT FOR OF CENTER CONTACT MUST BE 0.2N MIN. / 0.8N MAX.
- ASSEMBLE PRODUCT WITH TOOL HT430 USE INSERTS EPL 193460-001
- FOR LEAD FREE P/N, THE PRODUCT MEET EUROPEAN UNION DIRECTIVES AND OTHER COUNTRY REGULATIONS AS DESCRIBED IN GS-22-008
- THE PRODUCT IS NOT INTENDED TO BE EXPOSED TO A MANUFACTURING SOLDER PROCESS.

mat'l. code ---				surface ISO 1302 ✓	tolerance ISO 406 ISO 1101	projection MM	product family METRAL	CODE JP
ltr	description	ecn no	dr	date	tolerances unless otherwise specified		MM	title METRAL MINICOAX CONTACT KIT FEMALE SOLDER-TO-WIRE
A	RELEASED	J03-0172	Y.K	4/10/03	angles	0.X ±0.2		
B	REVISED	J05-0670	T.S	10/21/05	linear	0.XX ±0.2		
C	REVISED	J07-0039	S.O	1/22/07	0°±3'	0.XXX ±0.2	scale 5:1	
				dr	Y.KODAIRA	4/10/03	FCJ	sheet 8 of 62435 type Customer Drawing
				enrg	S.OKUDAIRA	1/22/07		
				chr	R. Stowit	1/22/07		
				appd	S. Mochizuki	1/22/07		
sheet index	revision sheet							Rev. C



Стандарт Электрон Связь

Мы молодая и активно развивающаяся компания в области поставок электронных компонентов. Мы поставляем электронные компоненты отечественного и импортного производства напрямую от производителей и с крупнейших складов мира.

Благодаря сотрудничеству с мировыми поставщиками мы осуществляем комплексные и плановые поставки широчайшего спектра электронных компонентов.

Собственная эффективная логистика и склад в обеспечивает надежную поставку продукции в точно указанные сроки по всей России.

Мы осуществляем техническую поддержку нашим клиентам и предпродажную проверку качества продукции. На все поставляемые продукты мы предоставляем гарантию .

Осуществляем поставки продукции под контролем ВП МО РФ на предприятия военно-промышленного комплекса России , а также работаем в рамках 275 ФЗ с открытием отдельных счетов в уполномоченном банке. Система менеджмента качества компании соответствует требованиям ГОСТ ISO 9001.

Минимальные сроки поставки, гибкие цены, неограниченный ассортимент и индивидуальный подход к клиентам являются основой для выстраивания долгосрочного и эффективного сотрудничества с предприятиями радиоэлектронной промышленности, предприятиями ВПК и научно-исследовательскими институтами России.

С нами вы становитесь еще успешнее!

Наши контакты:

Телефон: +7 812 627 14 35

Электронная почта: sales@st-electron.ru

Адрес: 198099, Санкт-Петербург,
Промышленная ул, дом № 19, литера Н,
помещение 100-Н Офис 331