

6N140A,* HCPL-675X, 83024, HCPL-570X, HCPL-177K, 5962-89810, HCPL-573X, HCPL-673X, 5962-89785, 5962-98002



Hermetically Sealed, Low I_F , Wide V_{CC} ,
High Gain Optocouplers

Data Sheet

*See matrix for available extensions.

Description

These units are single, dual, and quad channel, hermetically sealed optocouplers. The products are capable of operation and storage over the full military temperature range and can be purchased as either standard product or with full MIL-PRF-38534 Class Level H or K testing or from the appropriate DLA Drawing. All devices are manufactured and tested on a MIL-PRF-38534 certified line and are included in the DLA Qualified Manufacturers List QML-38534 for Hybrid Microcircuits.

Each channel contains a GaAsP light emitting diode which is optically coupled to an integrated high gain photon detector. The high gain output stage features an open collector output providing both lower saturation voltage and higher signaling speed than possible with conventional photo-Darlington optocouplers. The shallow depth and small junctions offered by the IC process provides better radiation immunity than conventional photo transistor optocouplers.

The supply voltage can be operated as low as 2.0V without adversely affecting the parametric performance.

These devices have a 300% minimum CTR at an input current of only 0.5 mA making them ideal for use in low input current applications such as MOS, CMOS, low power logic interfaces or line receivers. Compatibility with high voltage CMOS logic systems is assured by specifying I_{CCH} and I_{OH} at 18 Volts.

Features

- Dual marked with device part number and DLA drawing number
- Manufactured and tested on a MIL-PRF-38534 Certified Line
- QML-38534, Class H and K
- Five hermetically sealed package configurations
- Performance guaranteed over full military temperature range: -55°C to $+125^{\circ}\text{C}$
- Low input current requirement: 0.5 mA
- High current transfer ratio: 1500% typical @ $I_F = 0.5$ mA
- Low output saturation voltage: 0.11 V typical
- 1500 Vdc withstand test voltage
- High radiation immunity
- 6N138/9, HCPL-2730/31 function compatibility
- Reliability data

Applications

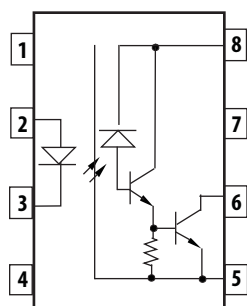
- Military and aerospace
- High reliability systems
- Telephone ring detection
- Microprocessor system interface
- Transportation, medical, and life critical systems
- Isolated input line receiver
- EIA RS-232-C line receiver
- Voltage level shifting
- Isolated input line receiver
- Isolated output line driver
- Logic ground isolation
- Harsh industrial environments
- Current loop receiver
- System test equipment isolation
- Process control input/output isolation

The connection of a 0.1 μF bypass capacitor between V_{CC} and GND is recommended.

CAUTION: It is advised that normal static precautions be taken in handling and assembly of this component to prevent damage and/or degradation which may be induced by ESD.

Functional Diagram

Multiple Channel Devices Available



Truth Table

(Positive Logic)

| Input | Output |
|---------|--------|
| On (H) | L |
| Off (L) | H |

Upon special request, the following device selections can be made: CTR minimum of up to 600% at 0.5 mA, and lower output leakage current levels to 100 μ A.

Package styles for these parts are 8 and 16 pin DIP through hole (case outlines P and E respectively), 16 pin DIP flat pack (case outline F), and leadless ceramic chip carrier (case outline 2). Devices may be purchased with a variety of lead bend and plating options. See Selection Guide table for details. Standard Military Drawing (SMD) parts are available for each package and lead style.

Because the same electrical die (emitters and detectors) are used for each channel of each device listed in this data sheet, absolute maximum ratings, recommended operating conditions, electrical specifications, and performance characteristics shown in the figures are similar for all parts except as noted. Additionally, the same package assembly processes and materials are used in all devices. These similarities justify the use of a common data base for die related reliability and certain limited radiation test results.

Selection Guide- Package Styles and Lead Configuration Options

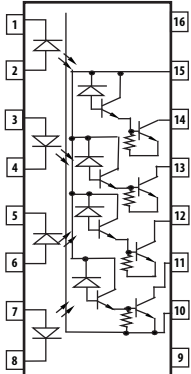
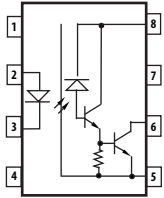
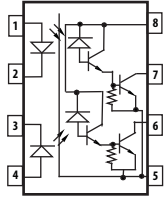
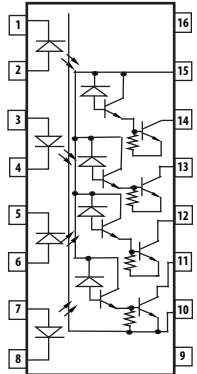
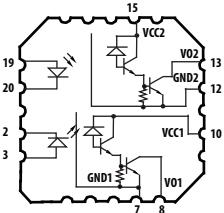
| Package | 16 pin DIP | 8 pin DIP | 8 pin DIP | 16 pin Flat Pack | 20 Pad LCCC |
|-----------------------------------|-----------------------|--------------|-----------------------|-----------------------|---------------|
| Lead Style | Through Hole | Through Hole | Through Hole | Unformed Leads | Surface Mount |
| Channels | 4 | 1 | 2 | 4 | 2 |
| Common Channel Wiring | V _{CC} , GND | None | V _{CC} , GND | V _{CC} , GND | None |
| Avago Part # & Options | | | | | |
| Commercial | 6N140A ^[1] | HCPL-5700 | HCPL-5730 | HCPL-6750 | HCPL-6730 |
| MIL-PRF-38534 Class H | 6N140A/883B | HCPL-5701 | HCPL-5731 | HCPL-6751 | HCPL-6731 |
| MIL-PRF-38534 Class K | HCPL-177K | HCPL-570K | HCPL-573K | HCPL-675K | HCPL-673K |
| Standard Lead Finish | Gold Plate | Gold Plate | Gold Plate | Gold Plate | Solder Pads* |
| Solder Dipped* | Option #200 | Option #200 | Option #200 | | |
| Butt Cut/Gold Plate | Option #100 | Option #100 | Option #100 | | |
| Gull Wing/Soldered* | Option #300 | Option #300 | Option #300 | | |
| Crew Cut/Gold Plate | Option #600 | Option #600 | Option #600 | | |
| Class H SMD Part # | | | | | |
| <i>Prescript for all below</i> | <i>None</i> | <i>5962-</i> | <i>5962-</i> | <i>None</i> | <i>5962-</i> |
| Gold Plate | 8302401EC | 8981001PC | 8978501PC | 8302401FC | |
| Solder Dipped* | 8302401EA | 8981001PA | 8978501PA | | 89785022A |
| Butt Cut/Gold Plate | 8302401YC | 8981001YC | 8978501YC | | |
| Butt Cut/Soldered* | 8302401YA | 8981001YA | 8978501YA | | |
| Gull Wing/Soldered* | 8302401XA | 8981001XA | 8978501ZA | | |
| Crew Cut/Gold Plate | 8302401ZC | Available | Available | | |
| Crew Cut/Soldered* | 8302401ZA | Available | Available | | |
| Class K SMD Part # | | | | | |
| <i>Prescript for all below</i> | <i>5962-</i> | <i>5962-</i> | <i>5962-</i> | <i>5962-</i> | <i>5962-</i> |
| Gold Plate | 9800201KEC | 8981002KPC | 8978503KPC | 9800201KFC | |
| Solder Dipped* | 9800201KEA | 8981002KPA | 8978503KPA | | 8978504K2A |
| Butt Cut/Gold Plate | 9800201KYC | 8981002KYC | 8978503KYC | | |
| Butt Cut/Soldered* | 9800201KYA | 8981002KYA | 8978503KYA | | |
| Gull Wing/Soldered* | 9800201KXA | 8981002KXA | 8978503KZA | | |
| Crew Cut/Gold Plate | 9800201KZC | Available | Available | | |
| Crew Cut/Soldered* | 9800201KZA | Available | Available | | |

*Solder contains lead.

Note:

1. JEDEC registered part.

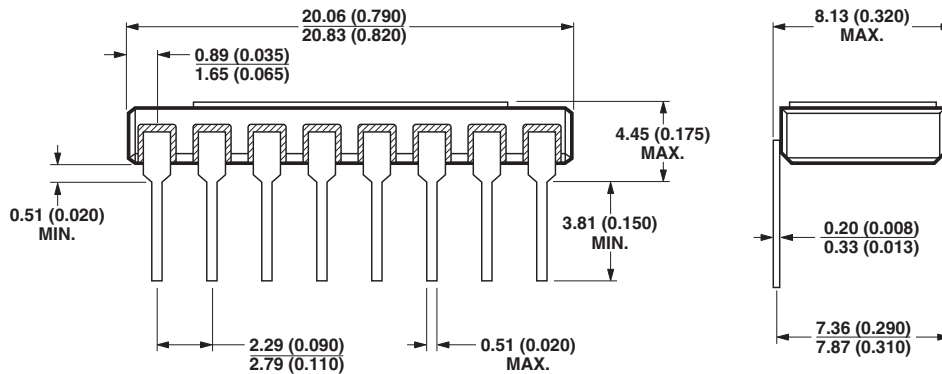
Functional Diagrams

| 16 pin DIP | 8 pin DIP | 8 pin DIP | 16 pin Flat Pack | 20 Pad LCCC |
|---|---|---|--|---|
| Through Hole | Through Hole | Through Hole | Unformed Leads | Surface Mount |
| 4 Channels | 1 Channel | 2 Channels | 4 Channels | 2 Channels |
|  |  |  |  |  |

Note: All DIP and flat pack devices have common V_{CC} and ground. LCCC (leadless ceramic chip carrier) package has isolated channels with separate V_{CC} and ground connections.

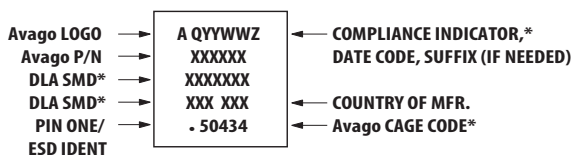
Outline Drawings

16 Pin DIP Through Hole, 4 Channels



Note: Dimensions in Millimeters (Inches)

Leaded Device Marking

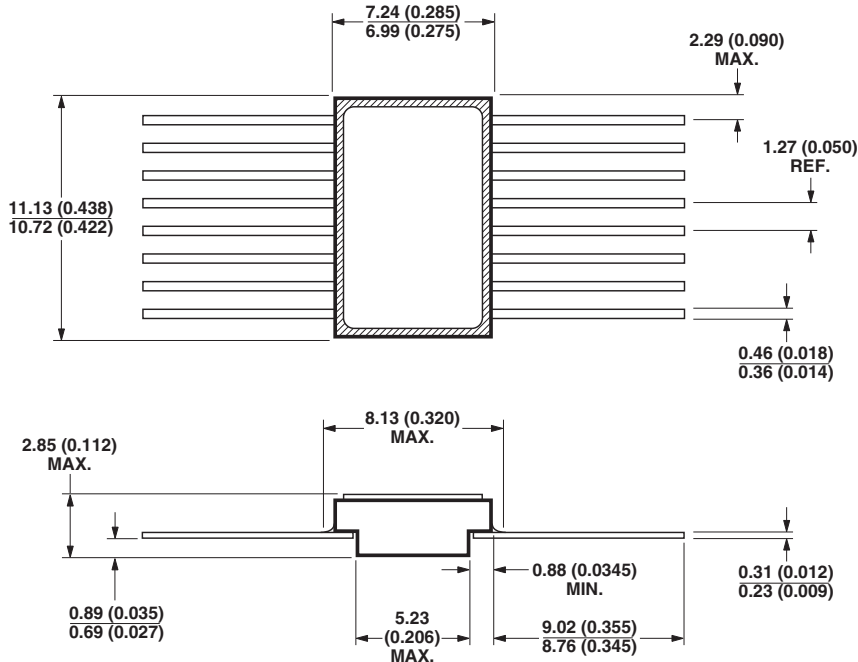


Leadless Device Marking



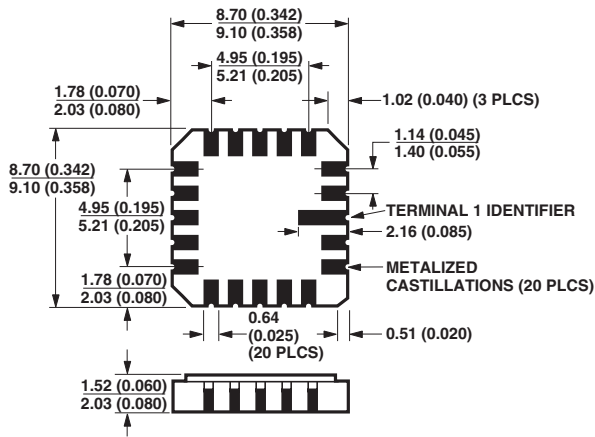
Outline Drawings (continued)

16 Pin Flat Pack, 4 Channels



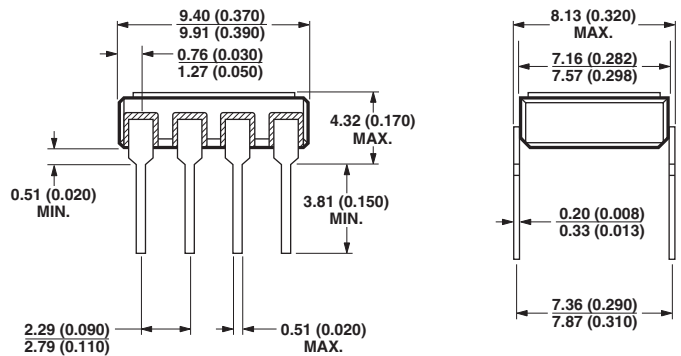
Note: Dimensions in Millimeters (Inches)

20 Terminal LCCC Surface Mount, 2 Channels



Note: Dimensions in Millimeters (Inches).
Solder Thickness 0.127 (0.005) Max.

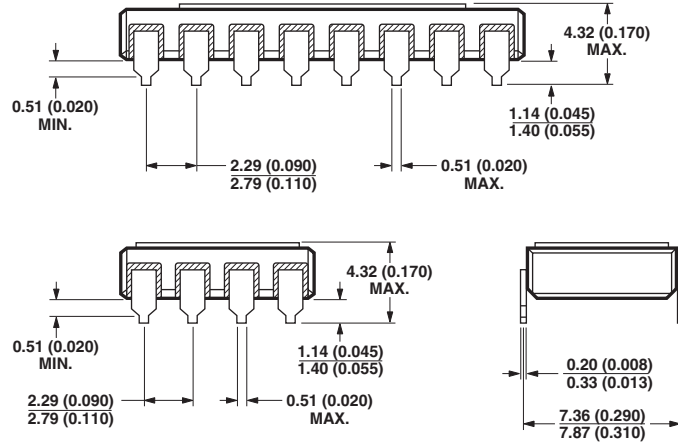
8 Pin DIP Through Hole, 1 and 2 Channel



Note: Dimensions in Millimeters (Inches).

Hermetic Optocoupler Options

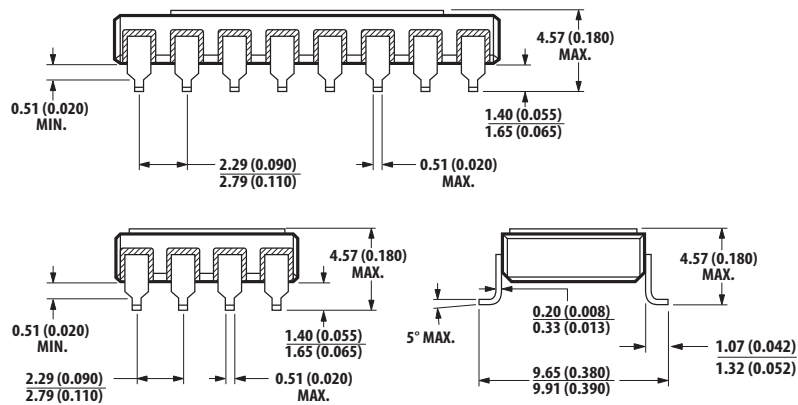
| Option | Description |
|--------|--|
| 100 | Surface mountable hermetic optocoupler with leads trimmed for butt joint assembly. This option is available on commercial and hi-rel product in 8 and 16 pin DIP (see drawings below for details). |



Note: Dimensions in Millimeters (Inches).

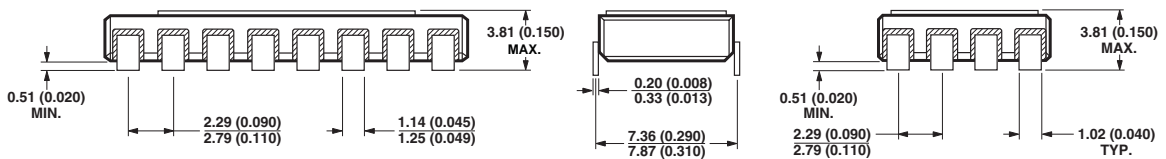
| | |
|-----|---|
| 200 | Lead finish is solder dipped rather than gold plated. This option is available on commercial and hi-rel product in 8 and 16 pin DIP. DLA Drawing part numbers contain provisions for lead finish. All leadless chip carrier devices are delivered with solder dipped terminals as a standard feature. |
|-----|---|

| | |
|-----|---|
| 300 | Surface mountable hermetic optocoupler with leads cut and bent for gull wing assembly. This option is available on commercial and hi-rel product in 8 and 16 pin DIP (see drawings below for details). This option has solder dipped leads. |
|-----|---|



Note: Dimensions in Millimeters (Inches).

| | |
|-----|---|
| 600 | Surface mountable hermetic optocoupler with leads trimmed for butt joint assembly. This option is available on commercial and hi-rel product in 8 and 16 pin DIP (see drawings below for details). Contact factory for the availability of this option on DLA part types. |
|-----|---|



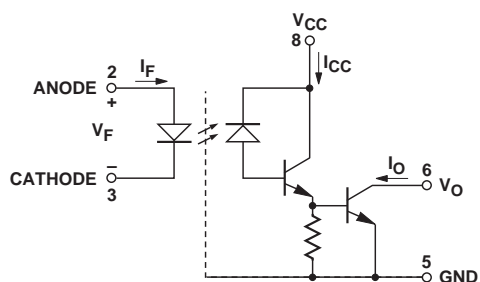
Note: Dimensions in Millimeters (Inches).

Solder contains lead.

Absolute Maximum Ratings

| Parameter | Symbol | Min. | Max. | Units | Notes |
|---|----------|------|----------------|-------|-------|
| Storage Temperature | T_S | -65 | +150 | °C | |
| Operating Temperature | T_A | -55 | +125 | °C | |
| Case Temperature | T_C | | +170 | °C | |
| Junction Temperature | T_J | | +175 | °C | |
| Lead Solder Temperature | | | 260 for 10 sec | °C | |
| Output Current (each channel) | I_O | | 40 | mA | |
| Output Voltage (each channel) | V_O | -0.5 | 20 | V | 1 |
| Supply Voltage | V_{CC} | -0.5 | 20 | V | 1 |
| Output Power Dissipation (each channel) | | | 50 | mW | 2 |
| Peak Input Current (each channel, <1 ms duration) | | | 20 | mA | |
| Average Input Current (each channel) | I_F | | 10 | mA | 3 |
| Reverse Input Voltage (each channel) | V_R | | 5 | V | |
| Package Power Dissipation (each channel) | P_D | | 200 | mW | |

8 Pin Ceramic DIP Single Channel Schematic



ESD Classification

(MIL-STD-883, Method 3015)

HCPL-5700/01/0K and 6730/31/3K

(▲▲), Class 2

6N140A, 6N140A/883B, HCPL-177K,
HCPL-6750/51/5K and HCPL-5730/31/3K

(Dot), Class 3

Recommended Operating Conditions

| Parameter | Symbol | Min. | Max. | Units |
|--|--------------|------|------|-------|
| Input Voltage, Low Level (Each Channel) | $V_{F(OFF)}$ | | 0.8 | V |
| Input Current, High Level (Each Channel) | $I_{F(ON)}$ | 0.5 | 5 | mA |
| Supply Voltage | V_{CC} | 2.0 | 18 | V |
| Output Voltage | V_O | 2.0 | 18 | V |

Electrical Characteristics, $T_A = -55^\circ\text{C}$ to $+125^\circ\text{C}$, unless otherwise specified

| Parameter | Symbol | Test Conditions | Group A ^[13] Subgroup | Limits | | | Units | Fig. | Note | | |
|---|-------------------------|--|-------------------------------------|--------------|--------|------|---------------|------|----------------|------|-----|
| | | | | Min. | Typ.** | Max. | | | | | |
| Current Transfer Ratio | CTR* | $I_F = 0.5\text{ mA}, V_O = 0.4\text{ V}, V_{CC} = 4.5\text{ V}$ | 1, 2, 3 | 300 | 1500 | | % | 3 | 4, 5 | | |
| | | $I_F = 1.6\text{ mA}, V_O = 0.4\text{ V}, V_{CC} = 4.5\text{ V}$ | | 300 | 1000 | | | | | | |
| | | $I_F = 5\text{ mA}, V_O = 0.4\text{ V}, V_{CC} = 4.5\text{ V}$ | | 200 | 500 | | | | | | |
| Logic Low Output Voltage | V_{OL} | $I_F = 0.5\text{ mA}, I_{OL} = 1.5\text{ mA}, V_{CC} = 4.5\text{ V}$ | 1, 2, 3 | | 0.11 | 0.4 | V | 2 | 4 | | |
| | | $I_F = 1.6\text{ mA}, I_{OL} = 4.8\text{ mA}, V_{CC} = 4.5\text{ V}$ | | | 0.13 | 0.4 | | | 4, 16 | | |
| | | $I_F = 5\text{ mA}, I_{OL} = 10\text{ mA}, V_{CC} = 4.5\text{ V}$ | | | 0.16 | 0.4 | | | 4 | | |
| Logic High Output Current | I_{OH}^* | $I_F = 2\text{ }\mu\text{A}, V_O = 18\text{ V}, V_{CC} = 18\text{ V}$ | 1, 2, 3 | | 0.001 | 250 | μA | | 4 | | |
| | I_{OHX} | | | | | 250 | | | μA | 4, 6 | |
| Logic Low Supply Current | Single Channel and LCCC | $I_C = 1.6\text{ mA}, V_{CC} = 18\text{ V}$ | 1, 2, 3 | | 1.0 | 2 | mA | | 15 | | |
| | Dual Channel | | | | 1.0 | 4 | | | 4 | | |
| | Quad Channel | | | | 1.7 | 4 | | | | | |
| Logic High Supply Current | Single Channel and LCCC | $I_F = 0\text{ mA}, V_{CC} = 18\text{ V}$ | 1, 2, 3 | | 0.001 | 20 | μA | | 15 | | |
| | Dual Channel | | | | | 40 | | | | | |
| | Quad Channel | | | | | 40 | | | | | |
| Input Forward Voltage | Single and Dual Channel | $I_F = 1.6\text{ mA}$ | 1 | 1.0 | 1.4 | 1.7 | V | 1 | 4 | | |
| | | | | | | 1.7 | | | | | |
| | | | | | | 1.8 | | | | | |
| | LCCC | | | 1, 2, 3 | 1.0 | 1.4 | | | | 1.8 | |
| | | | | Quad Channel | 1, 2 | | | | | 1.4 | 1.7 |
| | | | | | 3 | | | | | | 1.8 |
| Input Reverse Breakdown Voltage | B_{VR}^* | $I_R = 10\text{ }\mu\text{A}$ | 1, 2, 3 | 5 | | | V | | 4 | | |
| Input-Output Insulation Leakage Current | I_{I-O}^* | $\leq 65\%$ Relative Humidity $T_A = 25^\circ\text{C}, t = 5\text{ s}, V_{I-O} = 1500\text{ VDC}$ | 1 | | | 1.0 | μA | | 7, 12 | | |
| Capacitance Between Input-Output | C_{I-O} | $f = 1\text{ MHz}, T_A = 25^\circ\text{C}$ | 4 | | | 4 | pF | | 4, 8 14, 17 | | |

* For JEDEC registered parts.

** All typical values are at $V_{CC} = 5\text{ V}, T_A = 25^\circ\text{C}$.

Electrical Characteristics (cont), $T_A = -55^{\circ}\text{C}$ to $+125^{\circ}\text{C}$, unless otherwise specified

| Parameter | Symbol | Test Conditions | Group A ^[13] Subgroup | Limits | | | Units | Fig. | Note | |
|--|-------------|---|-------------------------------------|--------|--------|-------|------------------------|---------------|-----------------|-------|
| | | | | Min. | Typ.** | Max. | | | | |
| Propagation Delay Time to Logic Low at Output | t_{PHL}^* | $I_F = 0.5\text{ mA}$, $R_L = 4.7\text{ k}\Omega$, $V_{CC} = 5\text{ V}$ | 9, 10, 11 | | 30 | 100 | μs | 5, 6, 7, 8 | 4 | |
| | t_{PHL} | $I_F = 1.6\text{ mA}$, $R_L = 1.5\text{ k}\Omega$, $V_{CC} = 5\text{ V}$ | 9, 10, 11 | | 5 | 30 | | | 4, 16 | |
| | t_{PHL}^* | $I_F = 5\text{ mA}$, $R_L = 680\ \Omega$, $V_{CC} = 5\text{ V}$ | 9 | | 2 | 5 | | | | 4, 17 |
| | | | 10, 11 | | | 10 | | | | |
| 9, 10, 11 | | | 10 | | | 4, 16 | | | | |
| Propagation Delay Time to Logic High at Output | t_{PLH}^* | $I_F = 0.5\text{ mA}$, $R_L = 4.7\text{ k}\Omega$, $V_{CC} = 5\text{ V}$ | 9, 10, 11 | | 17 | 60 | μs | 5, 6, 7, 8 | 4 | |
| | t_{PLH} | $I_F = 1.6\text{ mA}$, $R_L = 1.5\text{ k}\Omega$, $V_{CC} = 5\text{ V}$ | 9, 10, 11 | | 14 | 50 | | | 4, 16 | |
| | t_{PLH}^* | $I_F = 5\text{ mA}$, $R_L = 680\ \Omega$, $V_{CC} = 5\text{ V}$ | 9 | | 8 | 20 | | | | 4, 17 |
| | | | 10, 11 | | | 30 | | | | |
| 9, 10, 11 | | | 30 | | | 4, 16 | | | | |
| Common Mode Transient Immunity at Low Output Level | $ CM_L $ | $V_{CC} = 5\text{ V}$, $I_F = 1.6\text{ mA}$ $R_L = 1.5\text{ k}\Omega$ $ V_{CM} = 25\text{ V}_{p-p}^{[17]}$ $ V_{CM} = 50\text{ V}_{p-p}^{[16]}$ | 9, 10, 11 | 500 | 1000 | | $\text{V}/\mu\text{s}$ | 9 | 4, 10 11, 14 | |
| Common Mode Transient Immunity at High Output Level | $ CM_H $ | $V_{CC} = 5\text{ V}$, $I_F = 0\text{ mA}$ $R_L = 1.5\text{ k}\Omega$ $ V_{CM} = 25\text{ V}_{p-p}^{[17]}$ $ V_{CM} = 50\text{ V}_{p-p}^{[16]}$ | 9, 10, 11 | 500 | 1000 | | $\text{V}/\mu\text{s}$ | 9 | 4, 10 11, 14 | |

* For JEDEC registered parts.

** All typical values are at $V_{CC} = 5\text{ V}$, $T_A = 25^{\circ}\text{C}$.

Typical Characteristics, $T_A = 25^{\circ}\text{C}$, $V_{CC} = 5\text{ V}$

| Parameter | Sym. | Typ. | Units | Test Conditions | Note |
|---|---------------------------|-----------|------------------------|--|------|
| Input Capacitance | C_{IN} | 60 | pF | $V_F = 0\text{ V}$, $f = 1\text{ MHz}$ | 4 |
| Input Diode Temperature Coefficient | $\Delta V_F / \Delta T_A$ | -1.8 | mV/ $^{\circ}\text{C}$ | $I_F = 1.6\text{ mA}$ | 4 |
| Resistance (Input-Output) | R_{I-O} | 10^{12} | Ω | $V_{I-O} = 500\text{ V}$ | 4, 8 |
| Capacitance (Input-Output) | C_{I-O} | 2.0 | pF | $f = 1\text{ MHz}$ | 4, 8 |
| Dual and Quad Channel Product Only | | | | | |
| Input-Input Leakage Current | I_{I-I} | 0.5 | nA | Relative Humidity = $\leq 65\%$, $V_{I-I} = 500\text{ V}$, $t = 5\text{ s}$ | 9 |
| Resistance (Input-Input) | R_{I-I} | 10^{12} | Ω | $V_{I-I} = 500\text{ V}$ | 9 |
| Capacitance (Input-Input) | C_{I-I} | 1.0 | pF | $f = 1\text{ MHz}$ | 9 |

Notes:

1. GND Pin should be the most negative voltage at the detector side. Keeping V_{CC} as low as possible, but greater than 2.0 V, will provide lowest total I_{OH} over temperature.
2. Output power is collector output power plus total supply power for the single channel device. For the dual channel device, output power is collector output power plus one half the total supply power. For the quad channel device, output power is collector output power plus one fourth of total supply power. Derate at 1.66 mW/°C above 110°C.
3. Derate I_F at 0.33 mA/°C above 110°C.
4. Each channel.
5. CURRENT TRANSFER RATIO is defined as the ratio of output collector current, I_O , to the forward LED input current, I_F , times 100%.
6. I_{OHX} is the leakage current resulting from channel to channel optical crosstalk. $I_F = 2 \mu\text{A}$ for channel under test. For all other channels, $I_F = 10 \text{ mA}$.
7. All devices are considered two-terminal devices; measured between all input leads or terminals shorted together and all output leads or terminals shorted together.
8. Measured between each input pair shorted together and all output connections for that channel shorted together.
9. Measured between adjacent input pairs shorted together for each multi-channel device.
10. CM_L is the maximum rate of rise of the common mode voltage that can be sustained with the output voltage in the logic low state ($V_O < 0.8 \text{ V}$). CM_H is the maximum rate of fall of the common mode voltage that can be sustained with the output voltage in the logic high state ($V_O > 2.0 \text{ V}$).

11. In applications where dV/dt may exceed 50,000 V/ μs (such as a static discharge) a series resistor, R_{CC} , should be included to protect the detector ICs from destructively high surge currents. The recommended value is:

$$R_{CC} = \frac{1 \text{ (V)}}{0.15 I_F \text{ (mA)}} \text{ k}\Omega$$

for single channel;

$$R_{CC} = \frac{1 \text{ (V)}}{0.3 I_F \text{ (mA)}} \text{ k}\Omega$$

for dual channel;

$$R_{CC} = \frac{1 \text{ (V)}}{0.6 I_F \text{ (mA)}} \text{ k}\Omega$$

for quad channel.

12. This is a momentary withstand test, not an operating condition.
13. Standard parts receive 100% testing at 25°C (Subgroups 1 and 9). SMD and 883B parts receive 100% testing at 25, 125, and -55°C (Subgroups 1 and 9, 2 and 10, 3 and 11, respectively).
14. Parameters tested as part of device initial characterization and after design and process changes. Parameters guaranteed to limits specified for all lots not specifically tested.
15. The HCPL-6730, HCPL-6731, and HCPL-673K dual channel parts function as two independent single channel units. Use the single channel parameter limits.
16. Not required for 6N140A, 6N140A/883B, HCPL-177K, HCPL-6750/51/5K, 8302401, and 5962-9800201 types.
17. Required for 6N140A, 6N140A/883B, HCPL-177K, HCPL-6750/51/5K, 8302401, and 5962-9800201 types.

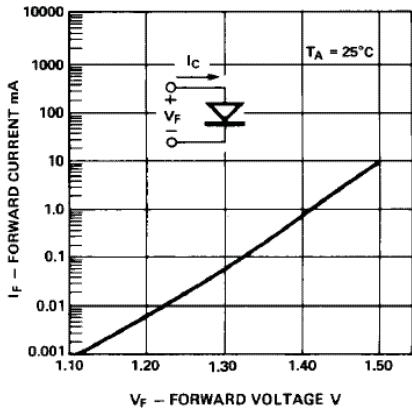


Figure 1. Input Diode Forward Current vs. Forward Voltage.

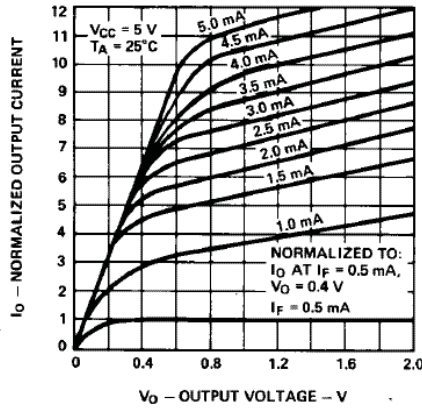


Figure 2. Normalized DC Transfer Characteristics.

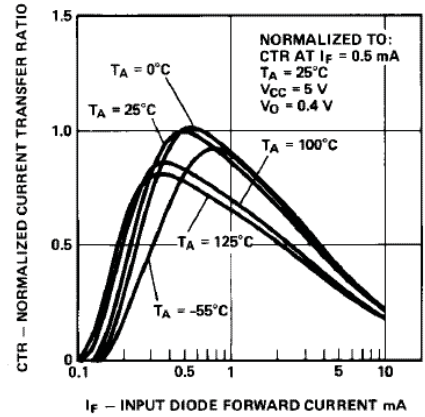


Figure 3. Normalized Current Transfer Ratio vs. Input Diode Forward Current.

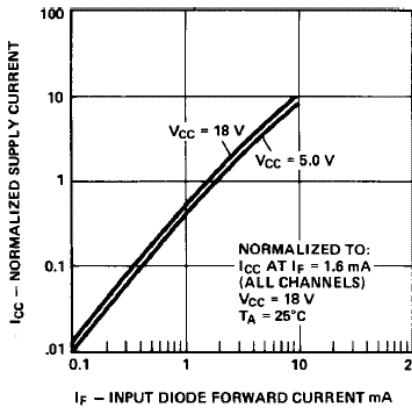


Figure 4. Normalized Supply Current vs. Input Diode Forward Current.

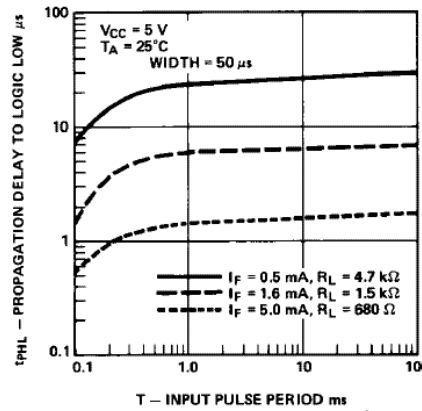


Figure 5. Propagation Delay to Logic Low vs. Input Pulse Period.

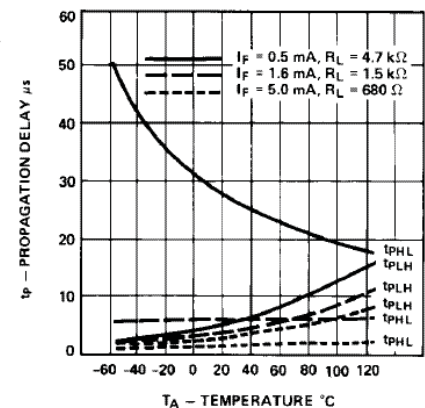


Figure 6. Propagation Delay vs. Temperature.

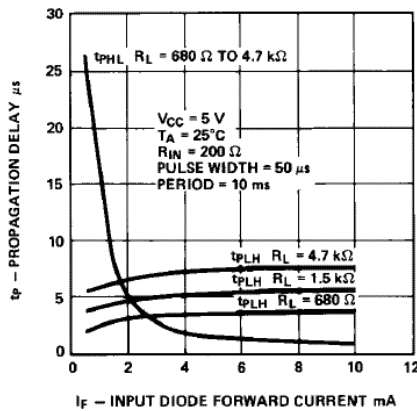
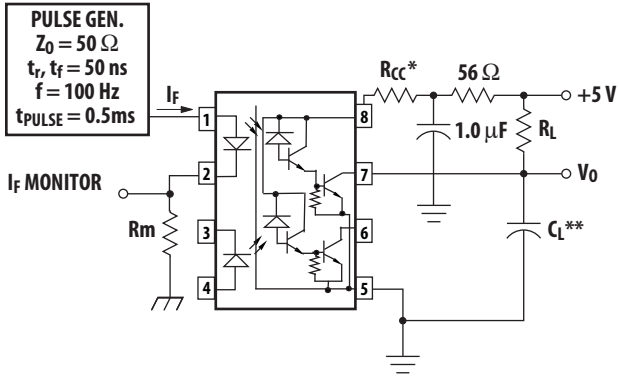


Figure 7. Propagation Delay vs. Input Diode Forward Current.



* SEE NOTE 11
 ** C_L INCLUDES PROBE AND STRAY WIRING CAPACITANCE.

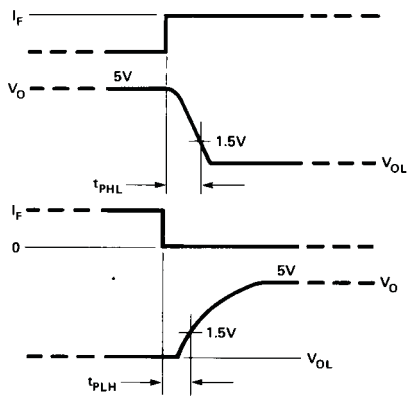
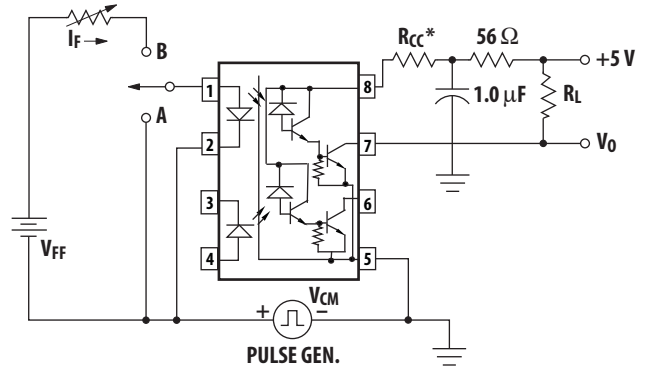


Figure 8. Switching Test Circuit (f , t_p not JEDEC registered).



* SEE NOTE 11

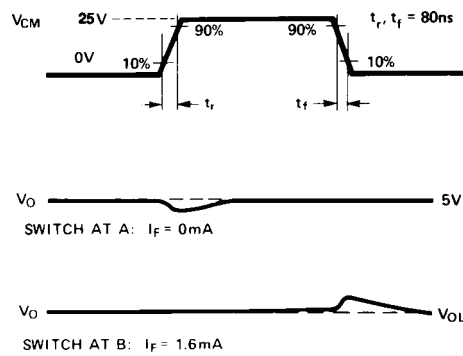


Figure 9. Test Circuit for Transient Immunity and Typical Waveforms.

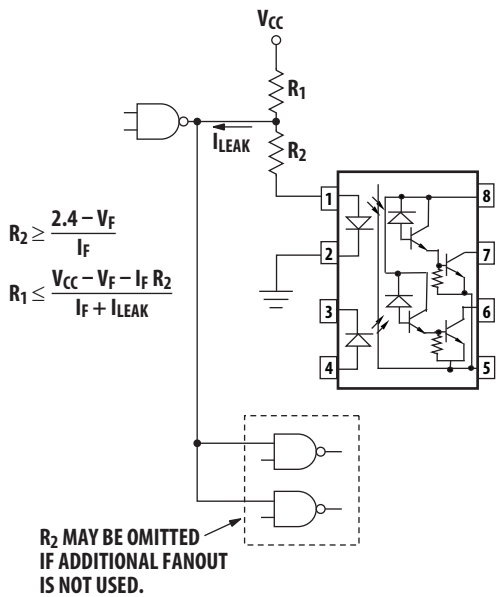
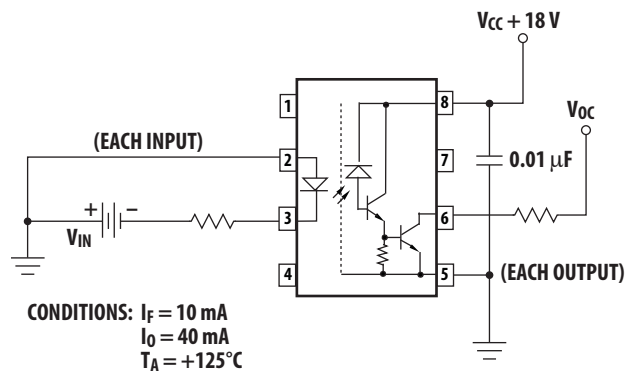


Figure 10. Recommended Drive Circuitry Using TTL Open-Collector Logic.

MIL-PRF-38534 Class H, Class K, and DLA SMD Test Program

Avago's Hi-Rel Optocouplers are in compliance with MIL-PRF-38534 Class H and K. Class H and Class K devices are also in compliance with DLA drawings 83024, 5962-89785, 5962-89810, and 5962-98002.

Testing consists of 100% screening and quality conformance inspection to MIL-PRF-38534.



* ALL CHANNELS TESTED SIMULTANEOUSLY.

Figure 11. Operating Circuit for Burn-In and Steady State Life Tests.

For product information and a complete list of distributors, please go to our web site: www.avagotech.com

Avago, Avago Technologies, and the A logo are trademarks of Avago Technologies in the United States and other countries. Data subject to change. Copyright © 2005-2012 Avago Technologies. All rights reserved. Obsoletes 5968-9400E AV02-1766EN - October 2, 2012

AVAGO
TECHNOLOGIES



Стандарт Электрон Связь

Мы молодая и активно развивающаяся компания в области поставок электронных компонентов. Мы поставляем электронные компоненты отечественного и импортного производства напрямую от производителей и с крупнейших складов мира.

Благодаря сотрудничеству с мировыми поставщиками мы осуществляем комплексные и плановые поставки широчайшего спектра электронных компонентов.

Собственная эффективная логистика и склад в обеспечивает надежную поставку продукции в точно указанные сроки по всей России.

Мы осуществляем техническую поддержку нашим клиентам и предпродажную проверку качества продукции. На все поставляемые продукты мы предоставляем гарантию .

Осуществляем поставки продукции под контролем ВП МО РФ на предприятия военно-промышленного комплекса России , а также работаем в рамках 275 ФЗ с открытием отдельных счетов в уполномоченном банке. Система менеджмента качества компании соответствует требованиям ГОСТ ISO 9001.

Минимальные сроки поставки, гибкие цены, неограниченный ассортимент и индивидуальный подход к клиентам являются основой для выстраивания долгосрочного и эффективного сотрудничества с предприятиями радиоэлектронной промышленности, предприятиями ВПК и научно-исследовательскими институтами России.

С нами вы становитесь еще успешнее!

Наши контакты:

Телефон: +7 812 627 14 35

Электронная почта: sales@st-electron.ru

Адрес: 198099, Санкт-Петербург,
Промышленная ул, дом № 19, литера Н,
помещение 100-Н Офис 331