

**PLEASE CHECK WWW.MOLEX.COM FOR LATEST PART INFORMATION**

**Part Number:** [0743351002](#)  
**Status:** **Active**  
**Overview:** [vhdm](#)  
**Description:** 2.00mm (.079") Pitch VHDM® Board-to-Board Backplane Header, Vertical, 8-Row, Signal Module, 60 Circuits, Pin Length 6.25mm (.246")

**Documents:**

[Drawing \(PDF\)](#) [RoHS Certificate of Compliance \(PDF\)](#)

**General**

Product Family	Backplane Connectors
Series	<a href="#">74058</a>
Application	Backplane
Component Type	PCB Header
Overview	<a href="#">vhdm</a>
Product Name	VHDM®
Style	N/A
<b>Physical</b>	
Circuits (Loaded)	10, 60
Circuits (maximum)	70
Color - Resin	Black
Durability (mating cycles max)	200
First Mate / Last Break	No
Guide to Mating Part	No
Keying to Mating Part	None
Material - Metal	Beryllium Copper, High Performance Alloy (HPA)
Material - Plating Mating	Gold
Material - Plating Termination	Tin-Lead
Material - Resin	High Temperature Thermoplastic
Number of Columns	N/A
Number of Pairs	Open Pin Field
Number of Rows	6
Orientation	Vertical
PC Tail Length (in)	0.098 In
PC Tail Length (mm)	2.50 mm
PCB Locator	No
PCB Retention	None
PCB Thickness Recommended (in)	0.071 In
PCB Thickness Recommended (mm)	1.80 mm
Packaging Type	Tube
Pitch - Mating Interface (in)	0.079 In
Pitch - Mating Interface (mm)	2.00 mm
Pitch - Term. Interface (in)	0.039 In
Pitch - Term. Interface (mm)	1.00 mm
Plating min: Mating (µin)	30
Plating min: Mating (µm)	0.75
Plating min: Termination (µin)	30
Plating min: Termination (µm)	0.75
Polarized to PCB	Yes
Stackable	No
Surface Mount Compatible (SMC)	Yes
Temperature Range - Operating	105°C
Termination Interface: Style	Through Hole - Compliant Pin

**Electrical**

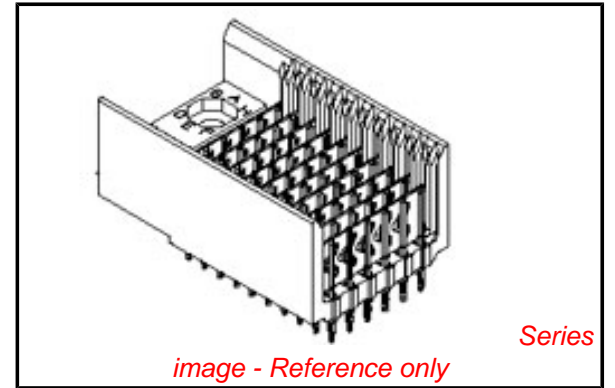


image - Reference only

**EU RoHS**

**RoHS Compliant by Exemption**

**REACH SVHC**

**Contains SVHC: No**

**Halogen-Free**

**Status**

**Halogen-Free**

**China RoHS**



**Need more information on product environmental compliance?**

Email [productcompliance@molex.com](mailto:productcompliance@molex.com)  
 For a multiple part number RoHS Certificate of Compliance, [click here](#)

Please visit the [Contact Us](#) section for any non-product compliance questions.

**Search Parts in this Series**

[74058Series](#)

**Application Tooling | [FAQ](#)**

*Tooling specifications and manuals are found by selecting the products below. Crimp Height Specifications are then contained in the Application Tooling Specification document.*

**Global**

Description	Product #
VHDM® Insertion Module for Advanced Mate Signal Header, 6 Row by 10 Wide, 20.00mm (.787")	<a href="#">0622020203</a>

Current - Maximum per Contact	2A
Data Rate	3.125 Gbps
Real Signals (per 25mm)	75
Shielded	No
Voltage - Maximum	120V AC (RMS)/DC

### **Material Info**

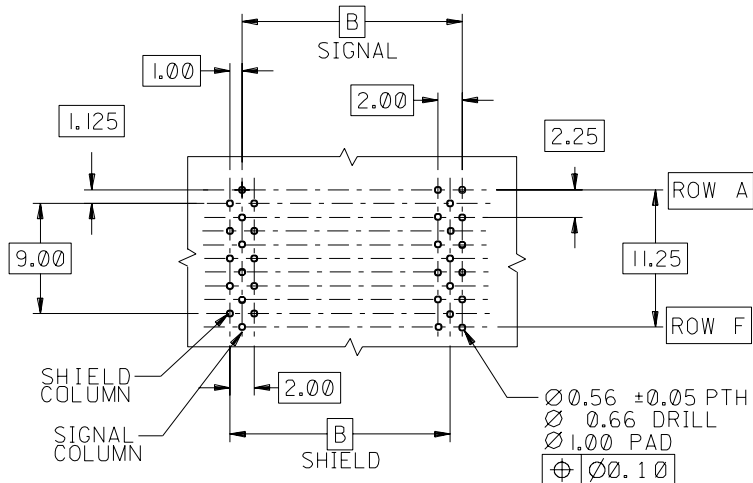
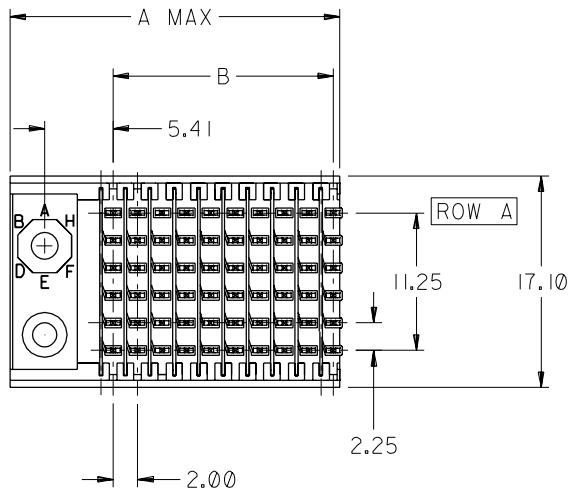
### **Reference - Drawing Numbers**

Packaging Specification	PK-74057-003
Sales Drawing	SD-74335-002

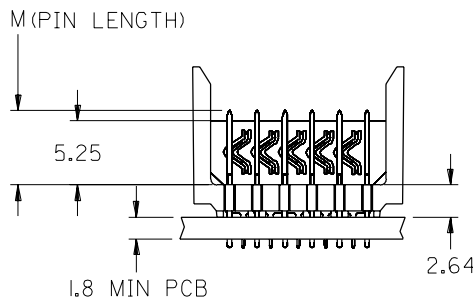
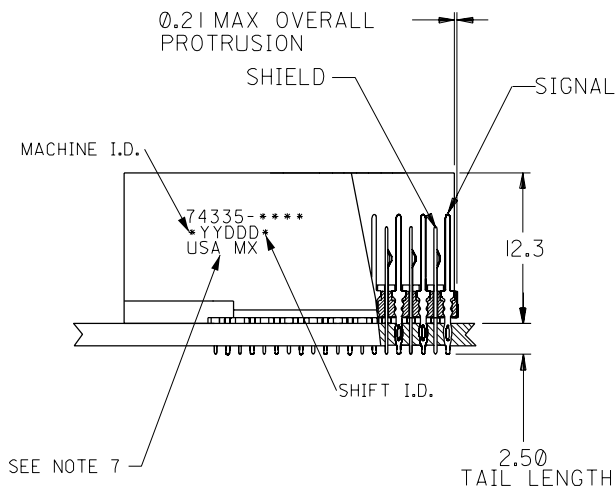
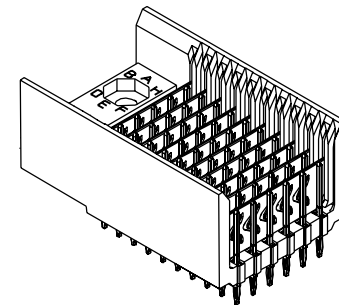
VHDM and Very High Density Metric are trademarks of Amphenol Corporation

This document was generated on 05/19/2010

**PLEASE CHECK [WWW.MOLEX.COM](http://WWW.MOLEX.COM) FOR LATEST PART INFORMATION**



BACKPLANE HOLE PATTERN  
RECOMMENDED DIMENSIONS

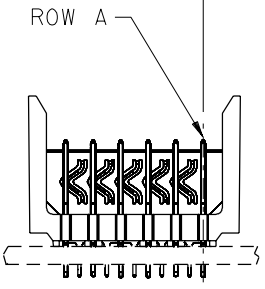
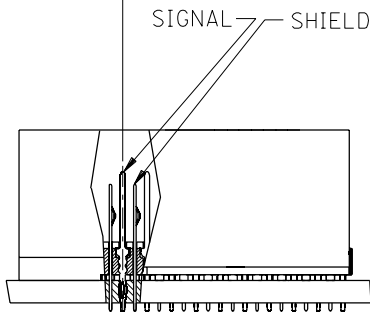
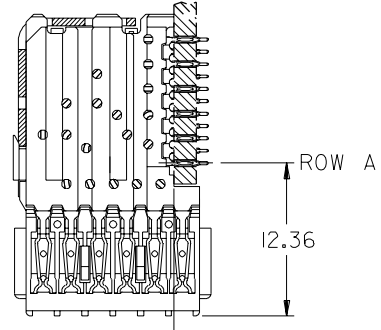
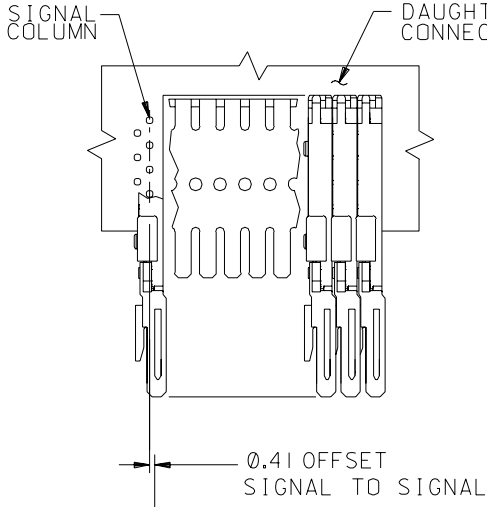


NOTES:

- MATERIALS:  
HOUSING - LIQUID CRYSTAL POLYMER (LCP),  
GLASS-FILLED, UL 94V-0, COLOR: BLACK.  
SIGNAL PIN & SHIELD - COPPER ALLOY.
- FINISHES:  
SELECTIVE GOLD (Au) IN CONTACT AREA;  
SELECTIVE TIN/LEAD (Sn/Pb) ON PCB TAILS AND  
NICKEL (Ni) OVERALL.
- THIS PART CONFORMS TO MOLEX  
PRODUCT SPECIFICATION PS-74031-999
- FOR MIXED CONTACT MATING LENGTHS.  
CONSULT MOLEX FOR AVAILABILITY.
- FOR SPECIFIC MATERIAL NUMBERS  
AND MATING INFORMATION REFER TO  
SHEET 2.
- PACKAGE PER PK-74057-003.
- EITHER MARK PARTS WITH PART NUMBER AND DATE CODE  
APPROXIMATELY WHERE SHOWN OR PLACE LABEL ON THE TUBE.

2	E
1	E
SHT	REV
REVISE ON CAD ONLY	

REVISED EC NO. UDT2002-0443 DRWN: MWANG 01/09/18 CHK: JLAURX 01/09/18 APPR: CBIXLER 01/09/18	QUALITY SYMBOLS MAJOR = 0 CRITICAL = 0	GENERAL TOLERANCES: (UNLESS SPECIFIED)		SCALE 2.5:1	DESIGN UNITS <input checked="" type="checkbox"/> mm <input type="checkbox"/> INCH	THIRD ANGLE PROJECTION	DIMENSIONS: <input type="checkbox"/> mm <input type="checkbox"/> INCH <input checked="" type="checkbox"/> mm ONLY		SHEET NO. 1 OF 2		
		4 PLACES ±0. -- ±.	3 PLACES ±0. -- ±.	2 PLACES ±0. -- ±.	1 PLACE ±0. -- ±.	DRAWN BY & DATE MWANG 00/02/08	CHECKED BY & DATE JLAURX 00/02/09	APPROVED BY & DATE CBIXLER 00/02/09	TITLE: VHDM BACKPLANE 6 ROW SIGNAL-PIN END SALES DRAWING		
		ANGULAR: ± -- °				CAD FILENAME SD-74335-002.DGN	MATERIAL NO. SEE SHEET 2	DRAWING NO. SD-74335-002	MOLEX INCORPORATED		
		DRAFT WHERE APPLICABLE MUST REMAIN WITHIN DIMENSIONS				THIS DRAWING CONTAINS INFORMATION THAT IS PROPRIETARY TO MOLEX INCORPORATED AND SHOULD NOT BE USED WITHOUT WRITTEN PERMISSION.					SIZE B



PART NUMBER	COLUMN	NUMBER OF SIGNAL	NUMBER OF PIN SHIELD	A MAX	B	M	Au (um) THICKNESS	Sn/Ph (um) THICKNESS
74335-1001	10	60	10	27.00	18.00	4.75	0.76	0.38-1.52
74335-1006							1.27	
74335-2501	25	150	25	57.00	48.00		0.76	
74335-2506							1.27	
74335-1002	10	60	10	27.00	18.00	6.25	0.76	
74335-1007							1.27	
74335-2502	25	150	25	57.00	48.00		0.76	
74335-2507							1.27	
74335-1003	10	60	10	27.00	18.00	4.25	0.76	
74335-1008							1.27	
74335-2503	25	150	25	57.00	48.00		0.76	
74335-2508							1.27	
74335-1004	10	60	10	27.00	18.00	5.15	0.76	
74335-1009							1.27	
74335-2504	25	150	25	57.00	48.00		0.76	
74335-2509							1.27	

REVISED EC NO. JDT2002-0443 DRWN: MWANG 01/09/18 CHK: JLAURX 01/09/18 APPR: CBIXLER 01/09/18	QUALITY SYMBOLS MAJOR $\nabla = 0$ CRITICAL $\nabla C = 0$	GENERAL TOLERANCES: (UNLESS SPECIFIED)		SCALE 2.5:1	DESIGN UNITS <input checked="" type="checkbox"/> mm <input type="checkbox"/> INCH	DIMENSIONS: <input type="checkbox"/> mm <input type="checkbox"/> INCH <input checked="" type="checkbox"/> mm ONLY	SHT REV	
		4 PLACES $\pm 0. \text{---} \pm.$	3 PLACES $\pm 0. \text{---} \pm.$	2 PLACES $\pm 0. \text{---} \pm.$	1 PLACE $\pm 0. \text{---} \pm.$	DRAWN BY & DATE MWANG 99/11/28	TITLE: VHDM BACKPLANE 6 ROW SIGNAL-PIN END SALES DRAWING	
		ANGULAR: $\pm \text{---} \circ$				CHECKED BY & DATE JLAURX 00/02/09	APPROVED BY & DATE CBIXLER 00/02/09	
		DRAFT WHERE APPLICABLE MUST REMAIN WITHIN DIMENSIONS				CAD FILENAME SD-74335-002-DGN	MATERIAL NO. SEE CHART	DRAWING NO. SD-74335-002
THIS DRAWING CONTAINS INFORMATION THAT IS PROPRIETARY TO MOLEX INCORPORATED AND SHOULD NOT BE USED WITHOUT WRITTEN PERMISSION.								



## Стандарт Электрон Связь

Мы молодая и активно развивающаяся компания в области поставок электронных компонентов. Мы поставляем электронные компоненты отечественного и импортного производства напрямую от производителей и с крупнейших складов мира.

Благодаря сотрудничеству с мировыми поставщиками мы осуществляем комплексные и плановые поставки широчайшего спектра электронных компонентов.

Собственная эффективная логистика и склад в обеспечивает надежную поставку продукции в точно указанные сроки по всей России.

Мы осуществляем техническую поддержку нашим клиентам и предпродажную проверку качества продукции. На все поставляемые продукты мы предоставляем гарантию .

Осуществляем поставки продукции под контролем ВП МО РФ на предприятия военно-промышленного комплекса России , а также работаем в рамках 275 ФЗ с открытием отдельных счетов в уполномоченном банке. Система менеджмента качества компании соответствует требованиям ГОСТ ISO 9001.

Минимальные сроки поставки, гибкие цены, неограниченный ассортимент и индивидуальный подход к клиентам являются основой для выстраивания долгосрочного и эффективного сотрудничества с предприятиями радиоэлектронной промышленности, предприятиями ВПК и научно-исследовательскими институтами России.

С нами вы становитесь еще успешнее!

### Наши контакты:

**Телефон:** +7 812 627 14 35

**Электронная почта:** [sales@st-electron.ru](mailto:sales@st-electron.ru)

**Адрес:** 198099, Санкт-Петербург,  
Промышленная ул, дом № 19, литера Н,  
помещение 100-Н Офис 331