

A01 series

Keylock & selector switches

Distinctive features and specifications

A018_AX1607US



- ❑ Panel Sealed to IP65
- ❑ Single pole to four pole changeover
- ❑ Custom engraving & overmould key
- ❑ Push on tab terminals
- ❑ 6A 250VAC

ELECTRICAL SPECIFICATIONS

- **Current/Voltage Rating** : 10mA 5VAC min, 6A 250VAC, 6A 12VDC
- **Initial Contact Resistance** : 10mΩ max at 1Amp 4VDC
- **Insulation Resistance** : 50MΩ min
- **Dielectric Strength** : 750V between open contacts, 5KV live to accessible
- **Electrical Life** : 50,000 cycles min
- **Contact Gap** : >1mm (0.039)
- **Insulation** : Class 2

MECHANICAL SPECIFICATIONS

- **Mechanical Life (operator)** : Momentary, 1 million cycles, maintained 100,000 cycles
- **Lamp** : Midget grove T1 ¾ filament, neon or LED
- **Terminals** : Solder/quick connect 2.8mm (0.110)

GENERAL SPECIFICATIONS

- **Operating Temperature** : -20°C to +55°C
- **Solder Heat Resistance** : 350°C for 5 seconds
- **Sealing** : Panel sealed to IP65, rear of panel IP40

AGENCY APPROVALS



MATERIALS

- **Key** : Nickel plated steel
- **Key Barrel** : Chrome plated alloy
- **Operator** : PBT
- **Nut** : ABS
- **Camtrack Momentary** : PPE
- **Camtrack Maintained** : PPSU
- **Switch Block 1 & 2 pole** : PBT
- **Switch Block 3 & 4 pole** : PEI
- **Contacts** : Gold plated silver

PANEL CUT OUT

Round & Square bezel operators only



Rectangular bezel operators only



Max panel thickness 8mm (0.314)



Dimensions : first dimensions are in mm while inches are shown in brackets. Refer to the following pages for further information.



Mounting accessories : standard hardware 1 nut and 1 sealing washer.

A01 series

Keylock & selector switches

Panel cut-out $\varnothing 16$ (0.755)

Keylock



Selector



A01 series Keylock & selector switches

Overview

Keylock

Operator			+		Switch block		Key position
Pole	Bezel	Description	Part No.	Key removable	No of poles	Part No	
1 or 2		2 pos. maintained	A018101	A-C	Single pole	A0151B	
1 or 2		2 pos. momentary	A018102	A	Double pole	A0152B	
3 or 4		2 pos. maintained	A018103	A-C	Three pole	A0155B	
3 or 4		2 pos. momentary	A018104	A	Four pole	A0153B	
1 or 2		3 pos. maintained	A018105	A-B-C			
1 or 2		3 pos. momentary	A018106	A			
1 or 2		3 pos. mainL, momR	A018107	A-B			
1 or 2		3 pos. momL, mainR	A018108	A-C			
1 or 2		2 pos. maintained	A018201	A-C			
1 or 2		2 pos. momentary	A018202	A			
3 or 4		2 pos. maintained	A018203	A-C			
3 or 4		2 pos. momentary	A018204	A			
1 or 2		3 pos. maintained	A018205	A-B-C			
1 or 2		3 pos. momentary	A018206	A			
1 or 2		3 pos. mainL, momR	A018207	A-B			
1 or 2		3 pos. momL, mainR	A018208	A-C			
1 or 2		2 pos. maintained	A018301	A-C			
1 or 2		2 pos. momentary	A018302	A			
3 or 4		2 pos. maintained	A018303	A-C			
3 or 4		2 pos. momentary	A018304	A			
1 or 2		3 pos. maintained	A018305	A-B-C			
1 or 2		3 pos. momentary	A018306	A			
1 or 2		3 pos. mainL, momR	A018307	A-B			
1 or 2		3 pos. momL, mainR	A018308	A-C			

Bezel:		rectangular		square		round.	'pos' - position,	'mainL' - maintained left	'momR' - momentary right, etc
--------	--	-------------	--	--------	--	--------	-------------------	---------------------------	-------------------------------

- Non-removable key positions: contact APEM components
- 2 standard keys are supplied
- 20 key barrel types available from stock
- For on-on-on function contact APEM components
- Note: 3/4 pole switch block for use only with 2 position key switches

Key Rotation – 2 position switches

The model numbers shown are for switches with anticlockwise key rotation.

For clockwise rotation, replace:

01	with	25
02	with	24
03	with	27
04	with	28

at the end of the model number

Selector

Operator			+		Switch block		Lever position
Pole	Bezel	Description	Short lever	Long lever	No of poles	Part No	
1 or 2		2 pos. maintained	A019201	A019101	Single pole	A0151B	
1 or 2		2 pos. momentary	A019202	A019102	Double pole	A0152B	
3 or 4		2 pos. maintained	A019203	A019103	Three pole	A0155B	
3 or 4		2 pos. momentary	A019204	A019104	Four pole	A0153B	
1 or 2		3 pos. maintained	A019205	A019105			
1 or 2		3 pos. momentary	A019206	A019106			
1 or 2		3 pos. mainL, momR	A019207	A019107			
1 or 2		3 pos. momL, mainR	A019208	A019108			
1 or 2		2 pos. maintained	A019401	A019301			
1 or 2		2 pos. momentary	A019402	A019302			
3 or 4		2 pos. maintained	A019403	A019303			
3 or 4		2 pos. momentary	A019404	A019304			
1 or 2		3 pos. maintained	A019405	A019305			
1 or 2		3 pos. momentary	A019406	A019306			
1 or 2		3 pos. mainL, momR	A019407	A019307			
1 or 2		3 pos. momL, mainR	A019408	A019308			
1 or 2		2 pos. maintained	A019601	A019501			
1 or 2		2 pos. momentary	A019602	A019502			
3 or 4		2 pos. maintained	A019603	A019503			
3 or 4		2 pos. momentary	A019604	A019504			
1 or 2		3 pos. maintained	A019605	A019505			
1 or 2		3 pos. momentary	A019606	A019506			
1 or 2		3 pos. mainL, momR	A019607	A019507			
1 or 2		3 pos. momL, mainR	A019608	A019508			

Bezel:		rectangular		square		round.	'pos' - position,	'mainL' - maintained left	'momR' - momentary right, etc
--------	--	-------------	--	--------	--	--------	-------------------	---------------------------	-------------------------------

- Note: 3/4 pole switch block for use only with 2 position rotary lever

Lever Rotation – 2 position switches

The model numbers shown are for switches with anticlockwise lever rotation.

For clockwise rotation, replace:

01	with	09
02	with	10
03	with	11
04	with	12

at the end of the model number

Optional engraving on lever end add "WL" to the end of the part number.



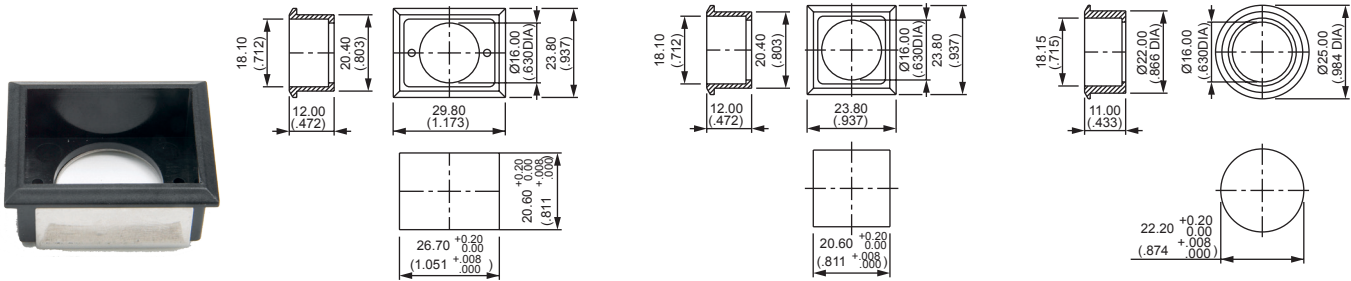
Unsealed switches & indicators (IP40) suffix 01 to the end of the part number.
Screen engraving insertable legends, & bi-color LED's please contact APEM

A01 series Keylock & selector switches

Accessories

Flush mount bezels

Dark grey plastic material – supplied with sealing washer



Rectangular : A01FM1

Square : A01FM

Round : A01FM2

Anodised aluminium/matt black



Round natural anodised : A01FMM

Round matt black : A01FMMG

PCB Sockets

Number of Poles

Part No.

Single pole, non illuminated :	A01PC1
Double pole, non illuminated :	A01PC2
Single pole, illuminated :	A01PC3
Double pole, illuminated :	A01PC4
Indicator :	A01PC5



Dimensions : first dimensions are in mm while inches are shown in brackets.
Refer to the following pages for further information.

A01 series

Keylock & selector switches

Accessories

Flap guards



Alluminium bezel protection guards



Anti rotation ring



Blanking plugs



A01 series

Keylock & selector switches

Installation & tools

Installation guide



SWITCH BLOCK ASSEMBLY

To assemble switch block to the operator, firstly, take care to line up the switch block with the back of the operator. Once in position slide on to the back of the operator. N.B. Ensure latch is fully engaged correctly onto the switch block. To remove switch block, depress the latch and slide the switch block off the operator.

PANEL MOUNTING ASSEMBLY

- Drill/punch hole shaped as shown on page one.
- Assemble front operator through hole, fit fixing nut and tighten to a maximum torque of 0.8Nm using tool No. 30-0001.
- Wire chosen switch block as required and slide onto operator until latch engages.
- Fit bulb if required using tool No. 30-0002.
- Snap screen onto reflector assembly with legend in between if required and snap onto front operator, take care to line up the locating slot with the polarising dot and not to damage the internal seal
- To place/remove the bulb use the bulb extractor 30-0002.

Tools

<p>Nut fixing key</p>  <p>30-0001</p>	<p>Bulb remover</p>  <p>30-0002</p>
--	--



Стандарт Электрон Связь

Мы молодая и активно развивающаяся компания в области поставок электронных компонентов. Мы поставляем электронные компоненты отечественного и импортного производства напрямую от производителей и с крупнейших складов мира.

Благодаря сотрудничеству с мировыми поставщиками мы осуществляем комплексные и плановые поставки широчайшего спектра электронных компонентов.

Собственная эффективная логистика и склад в обеспечивает надежную поставку продукции в точно указанные сроки по всей России.

Мы осуществляем техническую поддержку нашим клиентам и предпродажную проверку качества продукции. На все поставляемые продукты мы предоставляем гарантию .

Осуществляем поставки продукции под контролем ВП МО РФ на предприятия военно-промышленного комплекса России , а также работаем в рамках 275 ФЗ с открытием отдельных счетов в уполномоченном банке. Система менеджмента качества компании соответствует требованиям ГОСТ ISO 9001.

Минимальные сроки поставки, гибкие цены, неограниченный ассортимент и индивидуальный подход к клиентам являются основой для выстраивания долгосрочного и эффективного сотрудничества с предприятиями радиоэлектронной промышленности, предприятиями ВПК и научно-исследовательскими институтами России.

С нами вы становитесь еще успешнее!

Наши контакты:

Телефон: +7 812 627 14 35

Электронная почта: sales@st-electron.ru

Адрес: 198099, Санкт-Петербург,
Промышленная ул, дом № 19, литера Н,
помещение 100-Н Офис 331