

**Low Cost MMIC Mixer  
1400 - 2100 MHz**

**MAMXSS0013  
V2**

**Features**

- +12 dBm Input Power @ 1 dB Compression
- High Isolation, 28 dB LO to RF
- +3 to +8 dBm LO Drive Level
- DC - 500 MHz 3 dB IF Bandwidth
- Does not require DC bias
- Lead-Free SOT-25 Package
- 100% Matte Tin Plating over Copper
- Halogen-Free "Green" Mold Compound
- 260°C Reflow Compatible
- RoHS\* Compliant Version of MD54-0006

**Description**

M/A-COM's MAMXSS0013 is a passive mixer that achieves the performance of a double balanced diode mixer in a lead-free SOT-25 package. The MAMXSS0013 is ideally suited for use where high level RF signals and very wide dynamic range are required. Typical applications include frequency up/down conversion, modulation and demodulation in receivers and transmitters for base station and portable systems.

The MAMXSS0013 uses FETs as mixing elements to achieve very wide dynamic range in a low cost plastic package. The mixer operates with LO drive levels of +3 dBm to +8 dBm. The LO port may be externally tuned for operation in various frequency bands.

M/A-COM's MAMXSS0013 is fabricated using a mature 0.5 micron gate length GaAs MESFET process. The process features full passivation for increased performance and reliability. The MAMXSS0013 is 100% RF tested to ensure performance specification compliance.

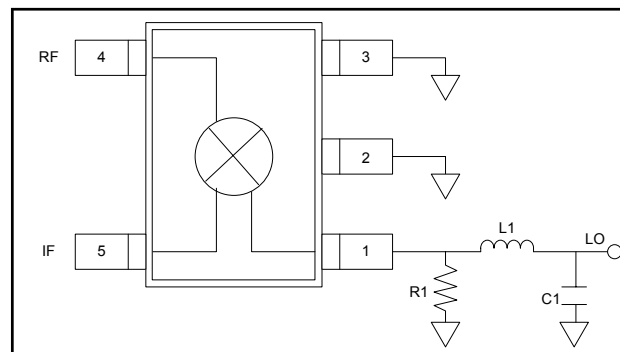
**Ordering Information<sup>1</sup>**

| Part Number        | Package                |
|--------------------|------------------------|
| MAMXSS0013         | Bulk Packaging         |
| MAMXSS0013TR-3000  | 3000 piece reel        |
| MAMX-000013-001SMB | 1500 MHz Configuration |
| MAMX-000013-002SMB | 1710 MHz Configuration |
| MAMX-000013-003SMB | 2300 MHz Configuration |

1. Reference Application Note M513 for reel size information.

\* Restrictions on Hazardous Substances, European Union Directive 2002/95/EC.

**Functional Block Diagram**



**Pin Configuration**

| Pin No. | Pin Name | Description |
|---------|----------|-------------|
| 1       | LO Port  | LO Input    |
| 2       | Ground   | Ground      |
| 3       | Ground   | Ground      |
| 4       | RF Port  | RF Input    |
| 5       | IF Port  | IF Output   |

**External Circuitry Parts List<sup>2,3</sup>**

| LO Frequency |          |          |          |
|--------------|----------|----------|----------|
| Part         | 1500 MHz | 1710 MHz | 2300 MHz |
| R1           | 470 Ω    | 470 Ω    | 820 Ω    |
| L1           | 6.8 nH   | 4.7 nH   | 2.7 nH   |
| C1           | 3.3 pF   | 2.2 pF   | 2.2 pF   |

2. The external LO matching network allows tuning from 1400 MHz to 2300 MHz. The networks given above are intended to serve as guidelines for matching in different bands.
3. All off-chip components are low-cost surface mount components obtainable from multiple sources (0.060 in. x 0.030 in. or 0.080 in. x 0.050 in.).

**Low Cost MMIC Mixer  
1400 - 2100 MHz**

**MAMXSS0013  
V2**

**Electrical Specifications<sup>4</sup>:**

**RF = 1850 MHz (-10 dBm), LO = 1710 MHz (+5 dBm), IF = 140 MHz, T<sub>A</sub> = 25°C**

| Parameter                      | Test Conditions   | Units | Min. | Typ.  | Max. |
|--------------------------------|---|-------|------|-------|------|
| Conversion Loss                |   | dB    | —    | 8.0   | 9.0  |
| Isolation                      | LO to RF  | dB    | —    | 28    | —    |
|                                | LO to IF  | dB    | —    | 15    | —    |
|                                | RF to IF  | dB    | —    | 15    | —    |
| VSWR                           | RF Port   | Ratio | —    | 2.0:1 | —    |
|                                | LO Port <sup>3</sup>  | Ratio | —    | 2.0:1 | —    |
|                                | IF Port   | Ratio | —    | 2.0:1 | —    |
| Input 1 dB Compression         | LO = +5 dBm, RF Freq: 1850 MHz                                  | dBm   | —    | 12    | —    |
| Two-Tone IM Ratio <sup>5</sup> | Two Tones at -10 dBm each, Tone spacing = 100 KHz, IF = 140 MHz | dBc   | —    | 55    | —    |

4. With external LO Port matching. See functional block diagram.

5. IMR vs. RF drive can be calculated by the formula: IMR = 40-1.5\*Pin.

**Absolute Maximum Ratings<sup>6,7</sup>**

| Parameter             | Absolute Maximum |
|-----------------------|------------------|
| RF Input Power        | +27 dBm          |
| LO Drive Power        | +27 dBm          |
| Operating Temperature | -40°C to +85°C   |
| Storage Temperature   | -65°C to +150°C  |

6. Exceeding any one or combination of these limits may cause permanent damage to this device.

7. M/A-COM does not recommend sustained operation near these survivability limits.

**Spurious Table**

|                       |           |           |           |           |           |      |
|-----------------------|-----------|-----------|-----------|-----------|-----------|------|
| <b>Harmonic of LO</b> | <b>4x</b> | 38.3      | 41.3      | 45.4      | 64.7      | 57.0 |
|                       |           | 27.3      | 39.9      | 52.5      | 77.1      | 78.7 |
|                       | <b>3x</b> | 21.4      | 30.1      | 69.0      | 43.0      | 68.3 |
|                       |           | 10.5      | 30.1      | 70.5      | 58.8      | 76.8 |
|                       | <b>2x</b> | 9.0       | 36.1      | 36.0      | 65.8      | 64.3 |
|                       |           | -0.9      | 36.4      | 45.8      | 75.0      | 78.0 |
| <b>1x</b>             | 1.9       | 0         | 44.8      | 56.1      | 65.0      |      |
|                       | -6.0      | 0         | 55.5      | 75.2      | 78.3      |      |
| <b>0x</b>             | X         | 8.1       | 45.5      | 56.8      | 72.9      |      |
|                       | X         | 8.3       | 54.4      | 72.3      | 74.3      |      |
|                       | <b>0x</b> | <b>1x</b> | <b>2x</b> | <b>3x</b> | <b>4x</b> |      |
| <b>Harmonic of RF</b> |           |           |           |           |           |      |

The spurious table shows the spurious signals resulting from the mixing of the RF and LO input signals, assuming down conversion. Mixing products are indicated relative to the IF. The lower frequency mixing term is shown for two different RF input levels. The top number is for an RF input power of 0 dBm, the lower number is for -10 dBm.

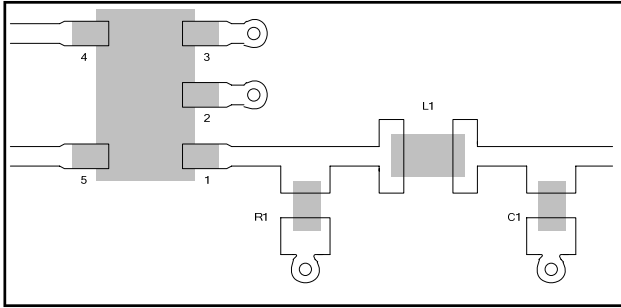
$|nF_{RF} - mF_{LO}|$ , RF = 0 dBm  
 $|nF_{RF} - mF_{LO}|$ , RF = -10 dBm  
 RF Frequency = 1850 MHz  
 LO Frequency = 1710 MHz

Low Cost MMIC Mixer  
1400 - 2100 MHz

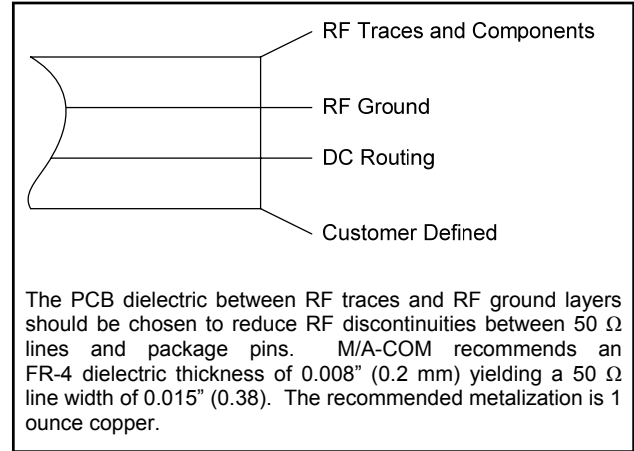
MAMXSS0013  
V2

**Recommended PCB Configuration**

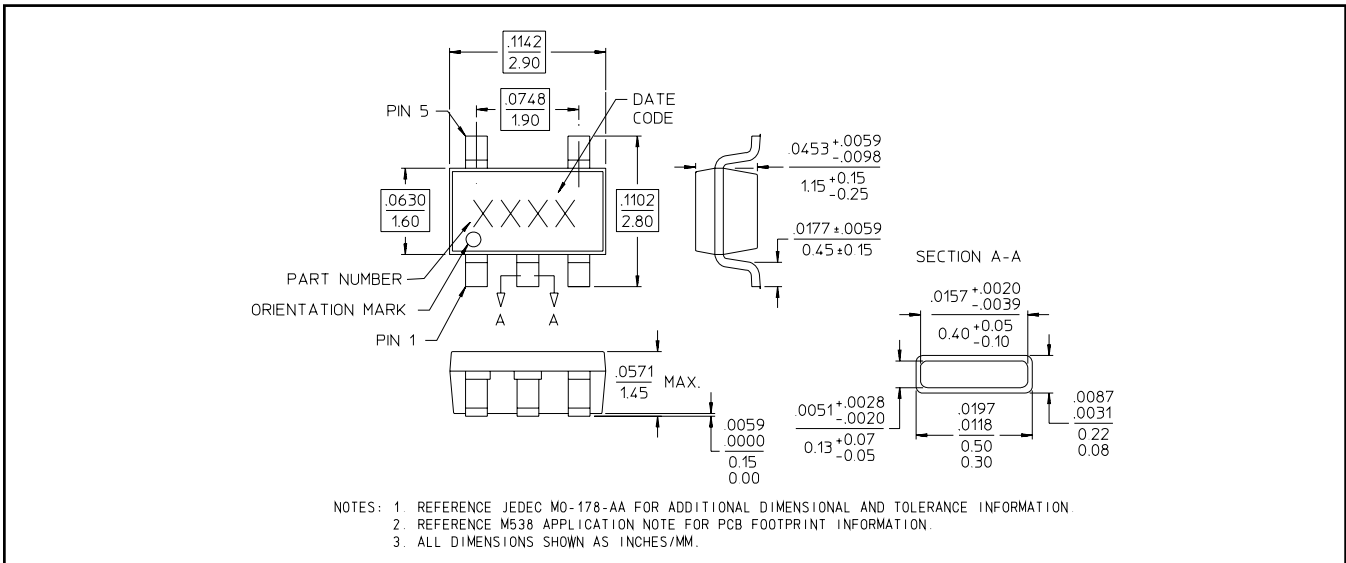
**Layout View**



**Cross Section View**



**Lead-Free SOT-25<sup>†</sup>**

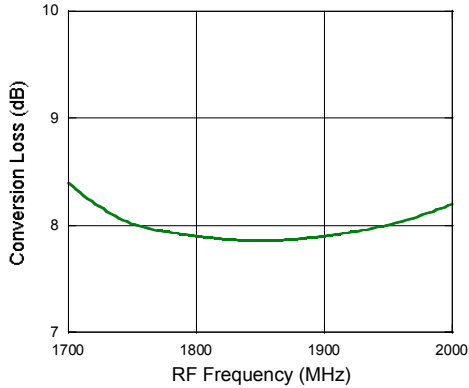


<sup>†</sup> Reference Application Note M538 for lead-free solder reflow recommendations.  
Meets JEDEC moisture sensitivity level 1 requirements.

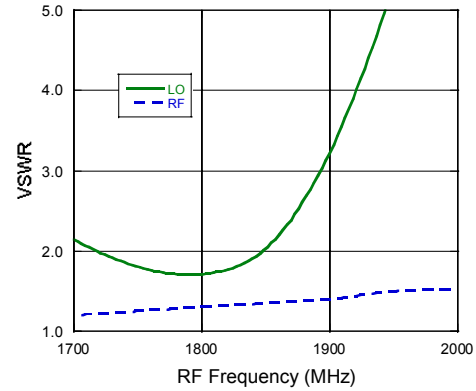
**Typical Performance Curves**

- **Test Conditions for Down Converter Application:** RF = 1850 MHz (-10 dBm), IF = 140 MHz, LO = 1710 MHz (+5 dBm).
- **Test Conditions for Up Converter Application:** LO = 1710 MHz (+5 dBm), IF = 140 MHz (-10 dBm), RF = 1850 MHz.

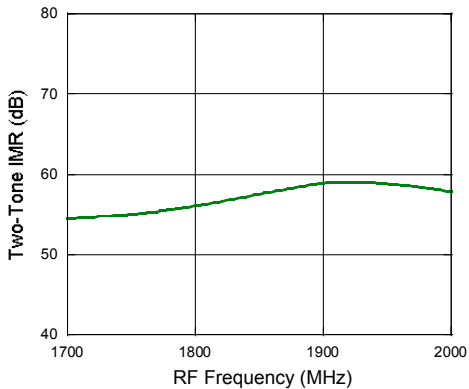
**Conversion Loss (Up/Down)**



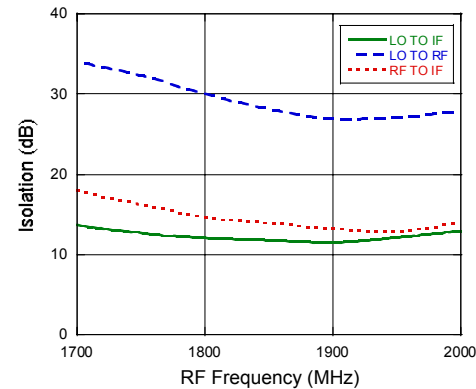
**VSWR**



**Two-Tone IMR**



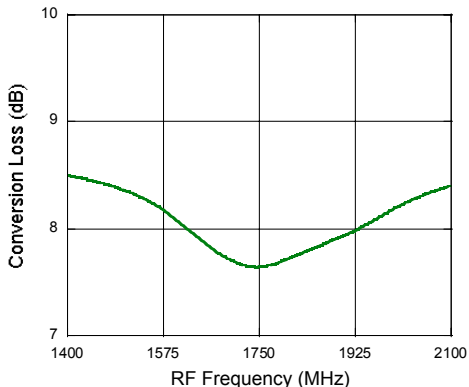
**Isolation**



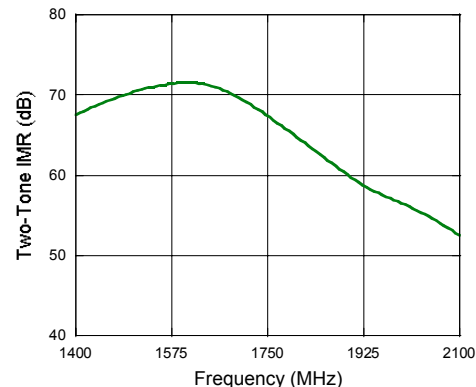
**Wide-Band Performance Curves**

- **Test Conditions for Wide-Band Application:** RF = -10 dBm, IF = 140 MHz, LO = +11 dBm, LO Port resistively matched. Lower LO drive operation is available for narrow band performance using external reactive matching. The 3 dB IF bandwidth is 500 MHz. IF frequencies above 200 MHz can be optimized for low conversion loss by using external matching components.

**Conversion Loss**



**Two-Tone IMR**





## Стандарт Электрон Связь

Мы молодая и активно развивающаяся компания в области поставок электронных компонентов. Мы поставляем электронные компоненты отечественного и импортного производства напрямую от производителей и с крупнейших складов мира.

Благодаря сотрудничеству с мировыми поставщиками мы осуществляем комплексные и плановые поставки широчайшего спектра электронных компонентов.

Собственная эффективная логистика и склад в обеспечивает надежную поставку продукции в точно указанные сроки по всей России.

Мы осуществляем техническую поддержку нашим клиентам и предпродажную проверку качества продукции. На все поставляемые продукты мы предоставляем гарантию .

Осуществляем поставки продукции под контролем ВП МО РФ на предприятия военно-промышленного комплекса России , а также работаем в рамках 275 ФЗ с открытием отдельных счетов в уполномоченном банке. Система менеджмента качества компании соответствует требованиям ГОСТ ISO 9001.

Минимальные сроки поставки, гибкие цены, неограниченный ассортимент и индивидуальный подход к клиентам являются основой для выстраивания долгосрочного и эффективного сотрудничества с предприятиями радиоэлектронной промышленности, предприятиями ВПК и научно-исследовательскими институтами России.

С нами вы становитесь еще успешнее!

### Наши контакты:

**Телефон:** +7 812 627 14 35

**Электронная почта:** [sales@st-electron.ru](mailto:sales@st-electron.ru)

**Адрес:** 198099, Санкт-Петербург,  
Промышленная ул, дом № 19, литера Н,  
помещение 100-Н Офис 331