

TL Series

Modular Heat Sinkable Thick Film Power



The TL Series add heat sinkable options to the thick film resistor family. The resistor element is packaged with plastic insulators, and quick-connect terminals in a symmetrical aluminum profile for easy heat sink mounting. Special tapped configurations are offered to reduce on board component count.

Efficient thermal packaging provides improved heat conduction to the heat sink. Self-insulating package design increases voltage withstanding characteristics when compared to traditional aluminum housings. The in line mounting profile makes the TL Series easily adaptable to most heat sink systems. Thermal compound is always recommended when heat sinking.

FEATURES

- Very low inductance
- Low profile design
- In-Line Mounting Profile
- 1/4" Quick connect terminals
- Consult factory for common, isolated, or special multiple tap options.

APPLICATIONS

- Semiconductor Balancing
- Frequency Converters
- Snubber
- In-Rush Current Limiter
- Bleeder Resistor
- Power Switching
- Voltage Dividers

SERIES SPECIFICATIONS

| Series | Ultra* Wattage | Std** Wattage | Nominal Power | Surge Load (10 sec.) | Max. Voltage between terminals | Ohm Range | Thermal Resistance | |
|--------|-------------------|------------------|------------------|-------------------------|-----------------------------------|--------------|---------------------|----------------------|
| | | | | | | | Ultra (10% tol.) | Std. (3%-5% tol.) |
| TL54 | 35 | 27 | 18 | 72 | 1000 | 0.3Ω - 1MΩ | 1.26 | 1.67 |
| TL71 | 96 | 71 | 48 | 192 | 2000 | 1.0Ω - 2MΩ | 0.53 | 0.70 |
| TL88 | 155 | 114 | 78 | 312 | 2500 | 1.5Ω - 3MΩ | 0.34 | 0.45 |
| TL104 | 215 | 158 | 108 | 432 | 2500 | 2.0Ω - 4MΩ | 0.25 | 0.33 |
| †TL122 | 275 | 202 | 137 | 548 | 2500 | 2.0Ω - 4MΩ | | |

* For properly heat sinked, untrimmed resistors - see chart

** For properly heat sinked, trimmed resistors - see chart

† Power Ratings are theoretical. Consult Factory for details.

CHARACTERISTICS

| | |
|----------------------------------|--|
| Operating voltage | 1200 VAC |
| Dielectric Withstanding Voltage | 2500 VAC |
| Resistive Element | Thick Film on Alumina |
| Housing | Aluminum |
| Insulators | Glass reinforced high temperature Valox® |
| Terminals | Tinned brass |
| Power Range | 27 – 275 watts |
| Resistance Range | 0.3Ω – 4MΩ |
| Tolerance | Ultra Power (U Style): ±10% std. Standard Power: ±10% std.; 5% and 1% available |
| Temperature Coefficient | ±250 PPM |
| Test Voltage for 1 Minute | 6000 VDC/2500 VAC |
| Working Voltage | 1200 VAC |
| External Creeping Distance | 12mm |
| Temperature Limits | -40°C to +125°C |
| Insulation | >1002 MΩ/500V |
| Air Distance, Terminal to Ground | 7mm |
| Inductance | 50-100 nH |

THIS PRODUCT IS DESIGNED FOR USE WITH PROPER HEATSINKING.

Maximum base plate temperature of the resistor must be monitored and kept within specified limits to establish the power rating. Best technique is to attach a thermocouple to the side of the base plate of the resistor. Temperature of plastic housing or heat sink cannot be used to establish rating of the resistor.

(continued)

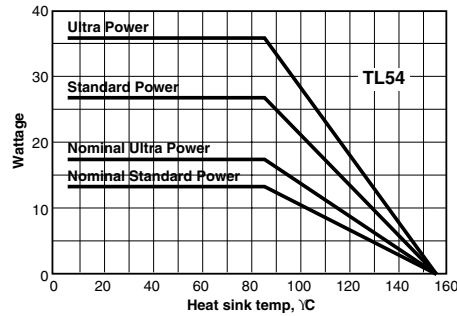
TL Series

Modular Heat Sinkable Thick Film Power

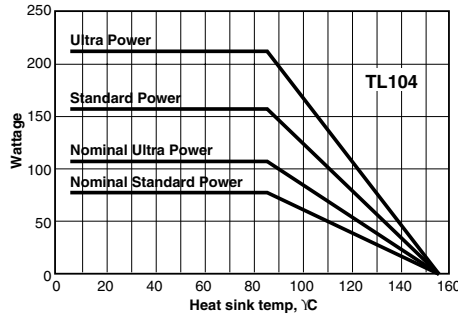
POWER RATINGS

Maximum and nominal power ratings for Ultra Power and Standard Power resistors

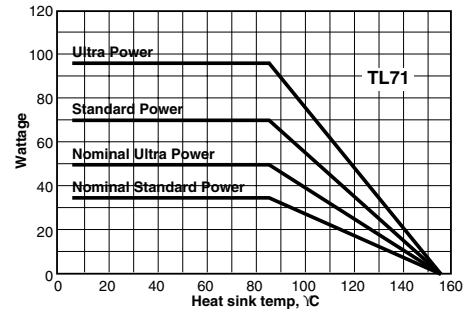
TL54



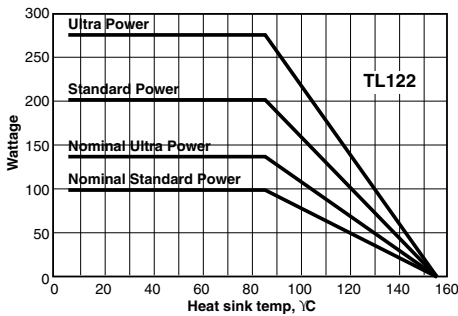
TL104



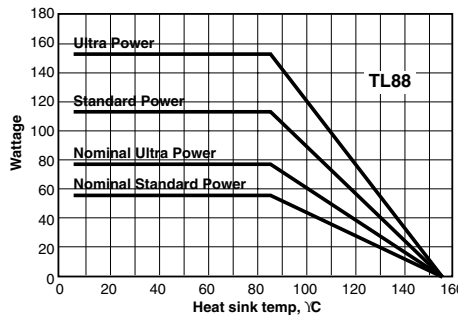
TL71



TL122



TL88



ORDERING INFORMATION

E = RoHS compliant

TL104KUR500CE

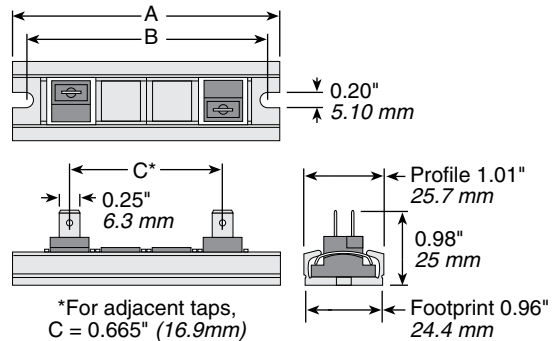
| Size | Tolerance | Power | Ohms | Center tap (optional) |
|----------------|-----------|----------------------|------------------|-----------------------|
| TL54 = 54 mm | F = 1% | U = ultra (optional) | R500 = 0.50 | |
| TL71 = 71 mm | J = 5% | | 10R0 = 10.0 | |
| TL88 = 88 mm | K = 10% | | 1K00 = 1,000 | |
| TL104 = 104 mm | | | 1M00 = 1,000,000 | |
| TL122 = 122 mm | | | | |

Standard part numbers

| Ohmic value | Part No. | | | | | Ohmic value | Part No. | | | | | | | |
|-------------|----------|--------|-------|-------|-------|-------------|----------|--------|--------|--------|-------|-------|-------|--------|
| | Prefix | Suffix | TL54K | TL71K | TL88K | | TL104K | TL122K | Prefix | Suffix | TL54K | TL71K | TL88K | TL104K |
| 0.5 | — | R50 | ✓ | | | 240.0 | — | 240 | ✓ | ✓ | ✓ | ✓ | ✓ | ✓ |
| 1.0 | — | 1R0 | ✓ | ✓ | ✓ | 470.0 | — | 470 | ✓ | ✓ | ✓ | ✓ | ✓ | ✓ |
| 1.5 | — | 1R5 | ✓ | ✓ | | 510.0 | — | 510 | ✓ | ✓ | ✓ | ✓ | ✓ | ✓ |
| 2.0 | — | 2R0 | ✓ | ✓ | ✓ | 750.0 | — | 750 | ✓ | ✓ | ✓ | ✓ | ✓ | ✓ |
| 3.0 | — | 3R0 | ✓ | ✓ | ✓ | 1,000.0 | — | 1K0 | ✓ | ✓ | ✓ | ✓ | ✓ | ✓ |
| 4.0 | — | 4R0 | ✓ | ✓ | ✓ | 1,100.0 | — | 1K1 | ✓ | ✓ | ✓ | ✓ | ✓ | ✓ |
| 5.1 | — | 5R1 | ✓ | ✓ | ✓ | 2,200.0 | — | 2K2 | ✓ | ✓ | ✓ | ✓ | ✓ | ✓ |
| 10.0 | — | 10R | ✓ | ✓ | ✓ | 4,700.0 | — | 4K7 | ✱ | ✱ | ✱ | ✱ | ✱ | ✱ |
| 15.0 | — | 15R | ✓ | ✓ | ✓ | 5,100.0 | — | 5K1 | ✱ | ✱ | ✱ | ✱ | ✱ | ✱ |
| 22.0 | — | 22R | ✓ | ✓ | ✓ | 10,000.0 | — | 10K | ✱ | ✱ | ✱ | ✱ | ✱ | ✱ |
| 47.0 | — | 47R | ✓ | ✓ | ✓ | 22,000.0 | — | 22K | ✱ | ✱ | ✱ | ✱ | ✱ | ✱ |
| 75.0 | — | 75R | ✓ | ✓ | ✓ | 51,000.0 | — | 51K | ✱ | ✱ | ✱ | ✱ | ✱ | ✱ |
| 100.0 | — | 100 | ✓ | ✓ | ✓ | | | | | | | | | |
| 150.0 | — | 150 | ✓ | ✓ | ✓ | | | | | | | | | |
| 220.0 | — | 220 | ✓ | ✓ | ✓ | | | | | | | | | |

✓ = Standard values
✱ = Non-standard values subject to minimum handling charge per item

DIMENSIONS



| | TL54 | TL71 | TL88 | TL104 | TL122 |
|--------|---------|------|------|-------|-------|
| A | mm 54 | 71 | 88 | 104 | 122 |
| B | mm 46 | 63 | 80 | 96 | 114 |
| C | mm 16.9 | 33.8 | 50.7 | 67.6 | 84.5 |
| Weight | g 26 | 33 | 44 | 55 | 65 |

Consult factory for multiple tap options in common, isolated, and special configurations.



Стандарт Электрон Связь

Мы молодая и активно развивающаяся компания в области поставок электронных компонентов. Мы поставляем электронные компоненты отечественного и импортного производства напрямую от производителей и с крупнейших складов мира.

Благодаря сотрудничеству с мировыми поставщиками мы осуществляем комплексные и плановые поставки широчайшего спектра электронных компонентов.

Собственная эффективная логистика и склад в обеспечивает надежную поставку продукции в точно указанные сроки по всей России.

Мы осуществляем техническую поддержку нашим клиентам и предпродажную проверку качества продукции. На все поставляемые продукты мы предоставляем гарантию .

Осуществляем поставки продукции под контролем ВП МО РФ на предприятия военно-промышленного комплекса России , а также работаем в рамках 275 ФЗ с открытием отдельных счетов в уполномоченном банке. Система менеджмента качества компании соответствует требованиям ГОСТ ISO 9001.

Минимальные сроки поставки, гибкие цены, неограниченный ассортимент и индивидуальный подход к клиентам являются основой для выстраивания долгосрочного и эффективного сотрудничества с предприятиями радиоэлектронной промышленности, предприятиями ВПК и научно-исследовательскими институтами России.

С нами вы становитесь еще успешнее!

Наши контакты:

Телефон: +7 812 627 14 35

Электронная почта: sales@st-electron.ru

Адрес: 198099, Санкт-Петербург,
Промышленная ул, дом № 19, литера Н,
помещение 100-Н Офис 331