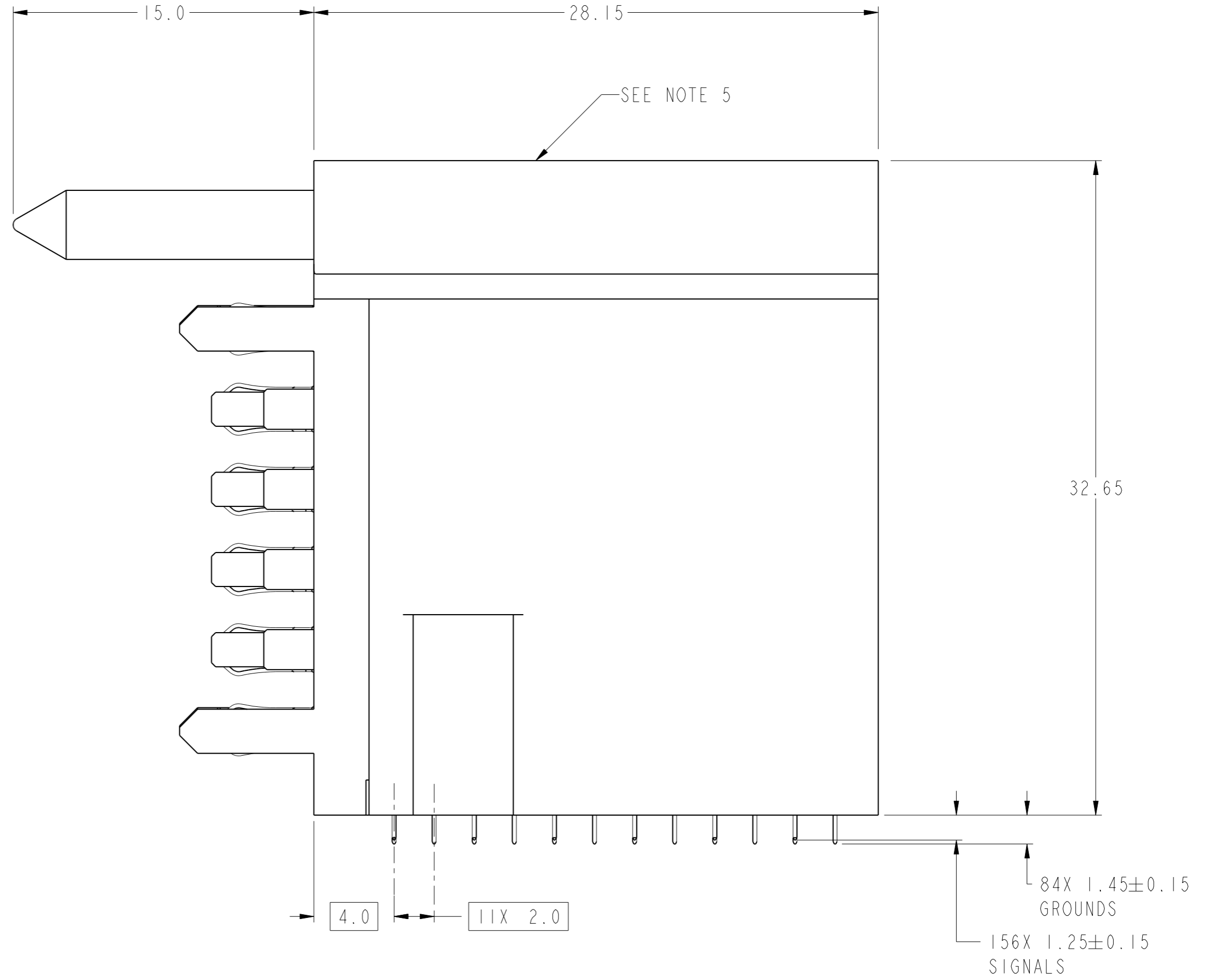
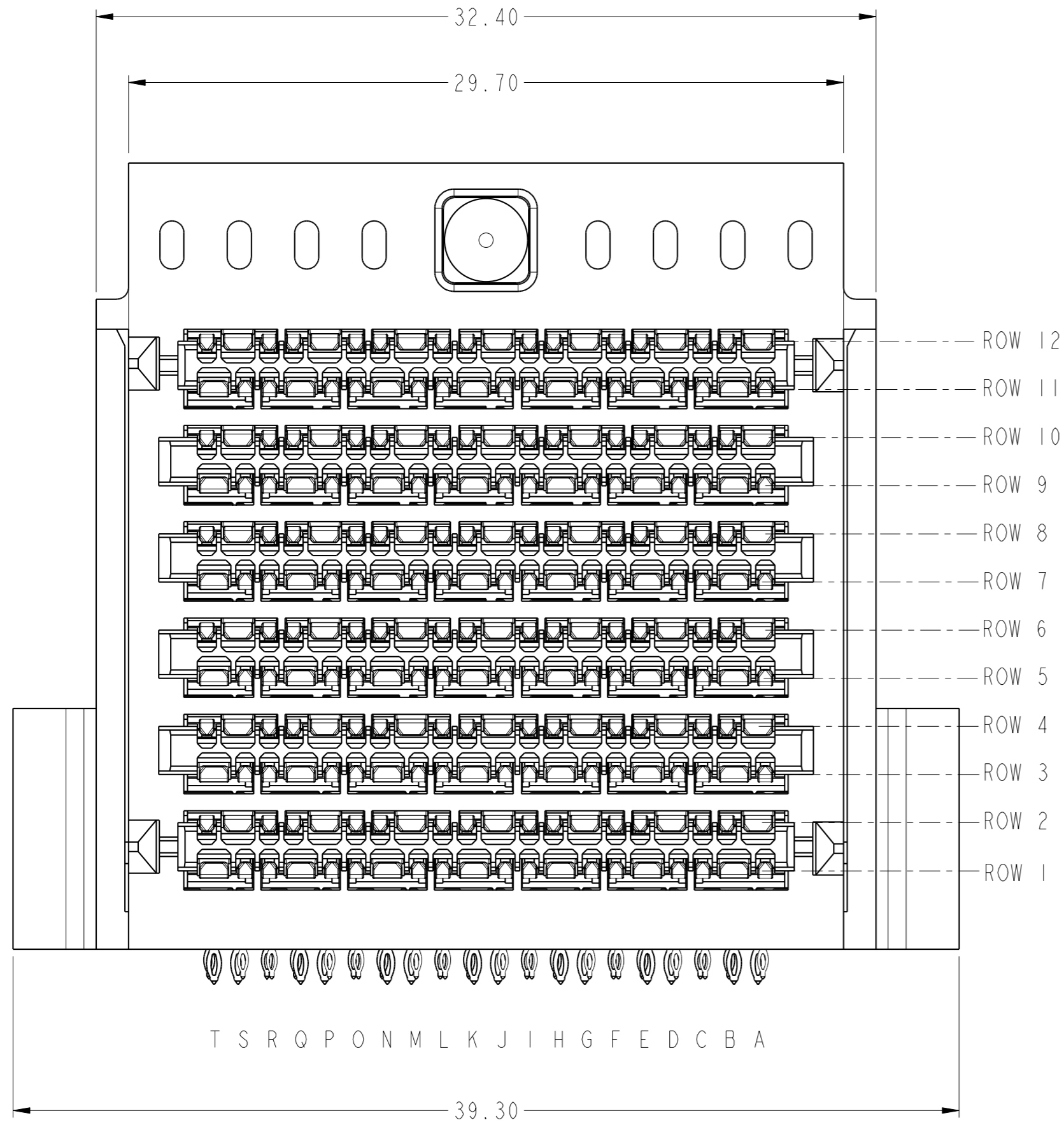


PRODUCT NUMBER	DESCRIPTION
10129181-101LF	WITH GUIDE PIN AND PCB SCREW MOUNTS



Amphenol
FCi

© 2016 AFCI

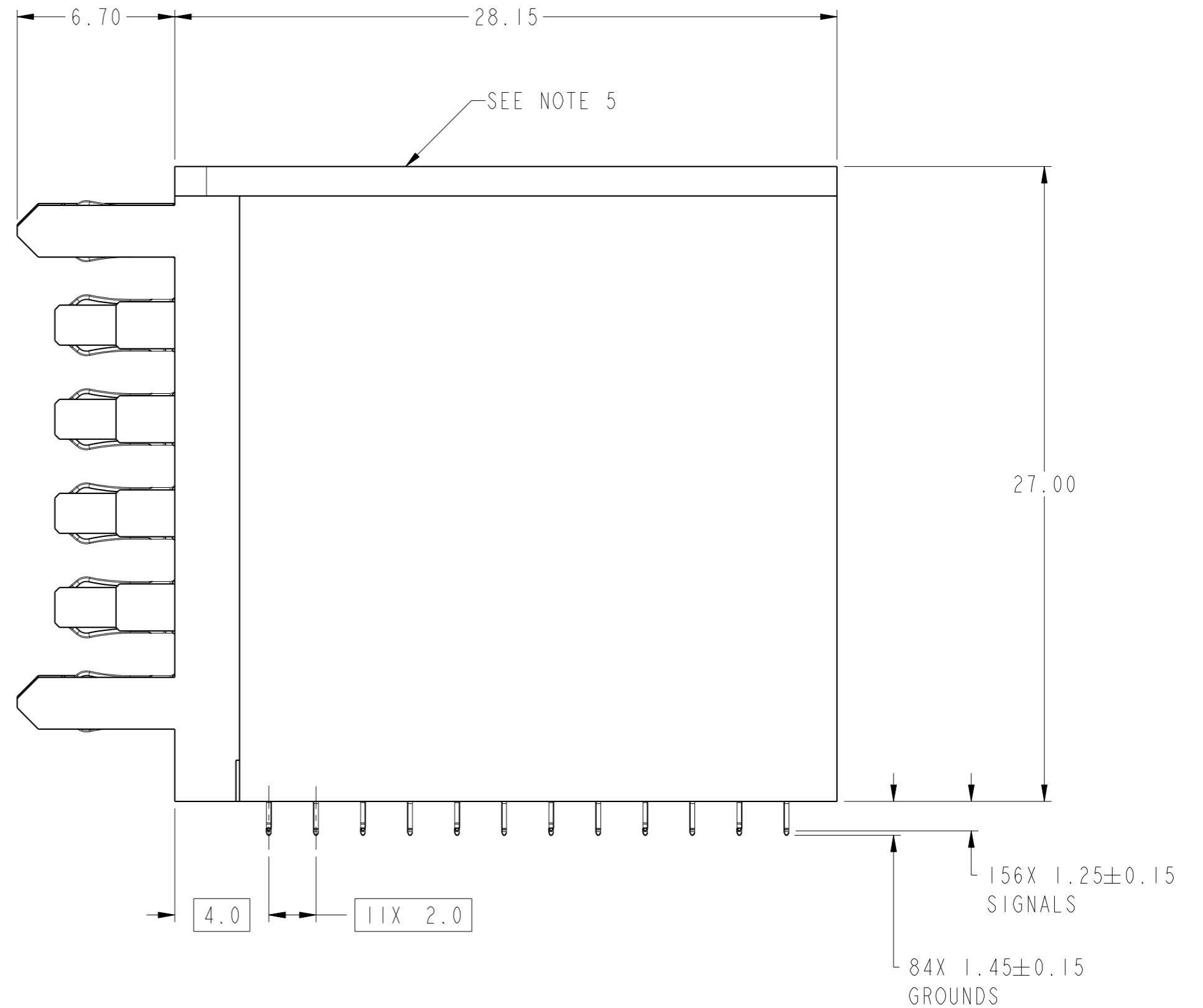
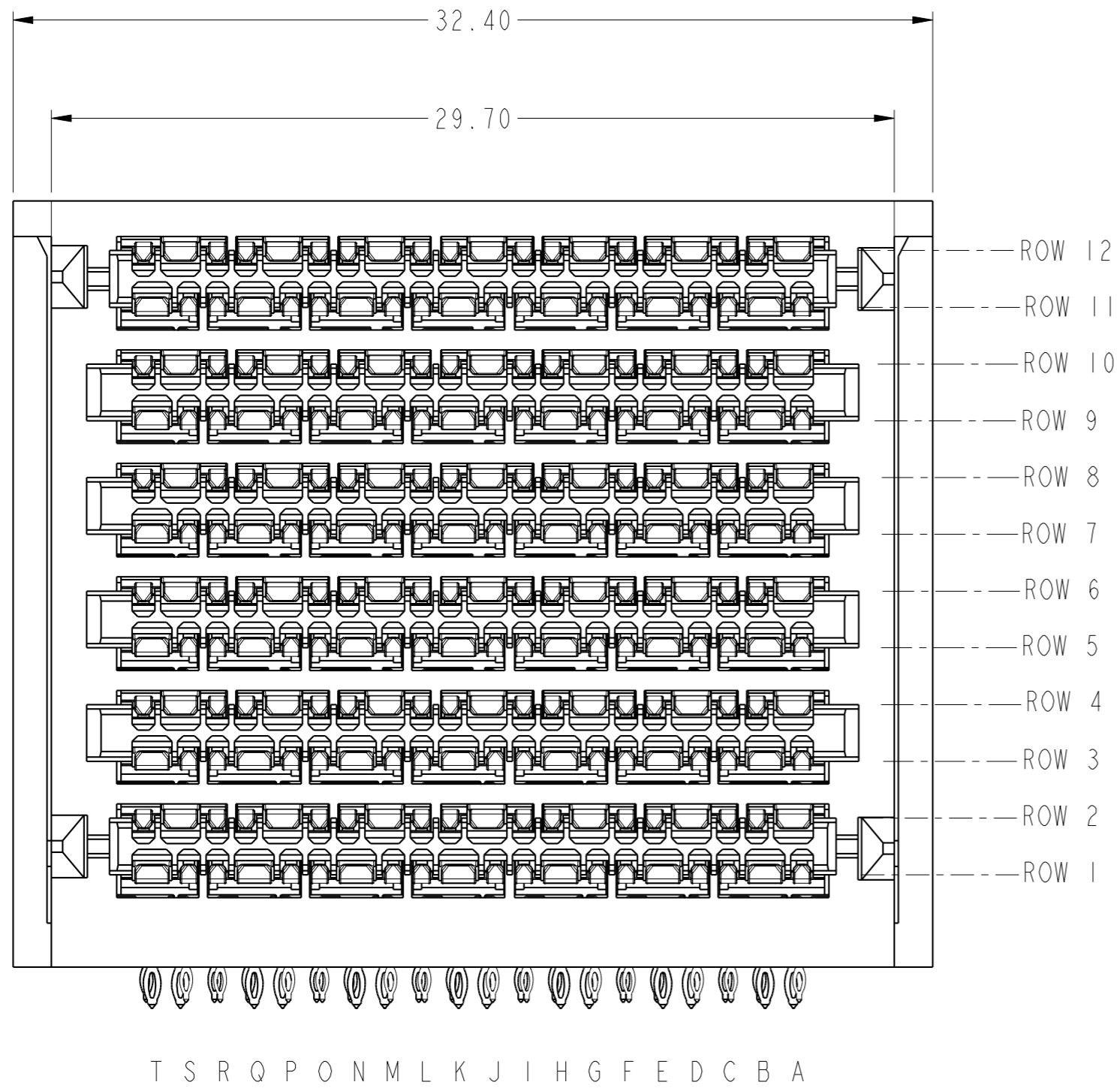
spec ref	---	dr	Mark R Gray	2014/02/24	projection	MM	size	A2	scale	5:1												
tolerance std	ASME Y14.5M	eng	Peng-Bing Fu	2017/11/10			ecn no	ELX-DG-28422-1														
TOLERANCES UNLESS OTHERWISE SPECIFIED		chr	Justin Chen	2017/11/29			rel level	Released														
		appr	Heaven Cen	2017/11/30			product family															
surface	<table border="1"> <tr> <td>linear</td> <td>0.X</td> <td>±.3</td> </tr> <tr> <td></td> <td>0.XX</td> <td>±.10</td> </tr> <tr> <td></td> <td>0.XXX</td> <td>±.050</td> </tr> <tr> <td>angular</td> <td>0°</td> <td>±°</td> </tr> </table>	linear	0.X	±.3		0.XX	±.10		0.XXX	±.050	angular	0°	±°			Amphenol FCI title ExaMAX Orthogonal R.A. Header 6 PAIR, 12 IMLA (240 Position) ASS'Y		dwg no 10129181	rev B	cat. no. Product - Customer Draw sheet 1 of 7		
linear	0.X	±.3																				
	0.XX	±.10																				
	0.XXX	±.050																				
angular	0°	±°																				

PDS: Rev :B

STATUS:Released

Printed: Dec 12, 2017

PRODUCT NUMBER	DESCRIPTION
10129181-102LF	NO GUIDE PIN, NO PCB SCREW MOUNTS



Amphenol
FCi

© 2016 AFci

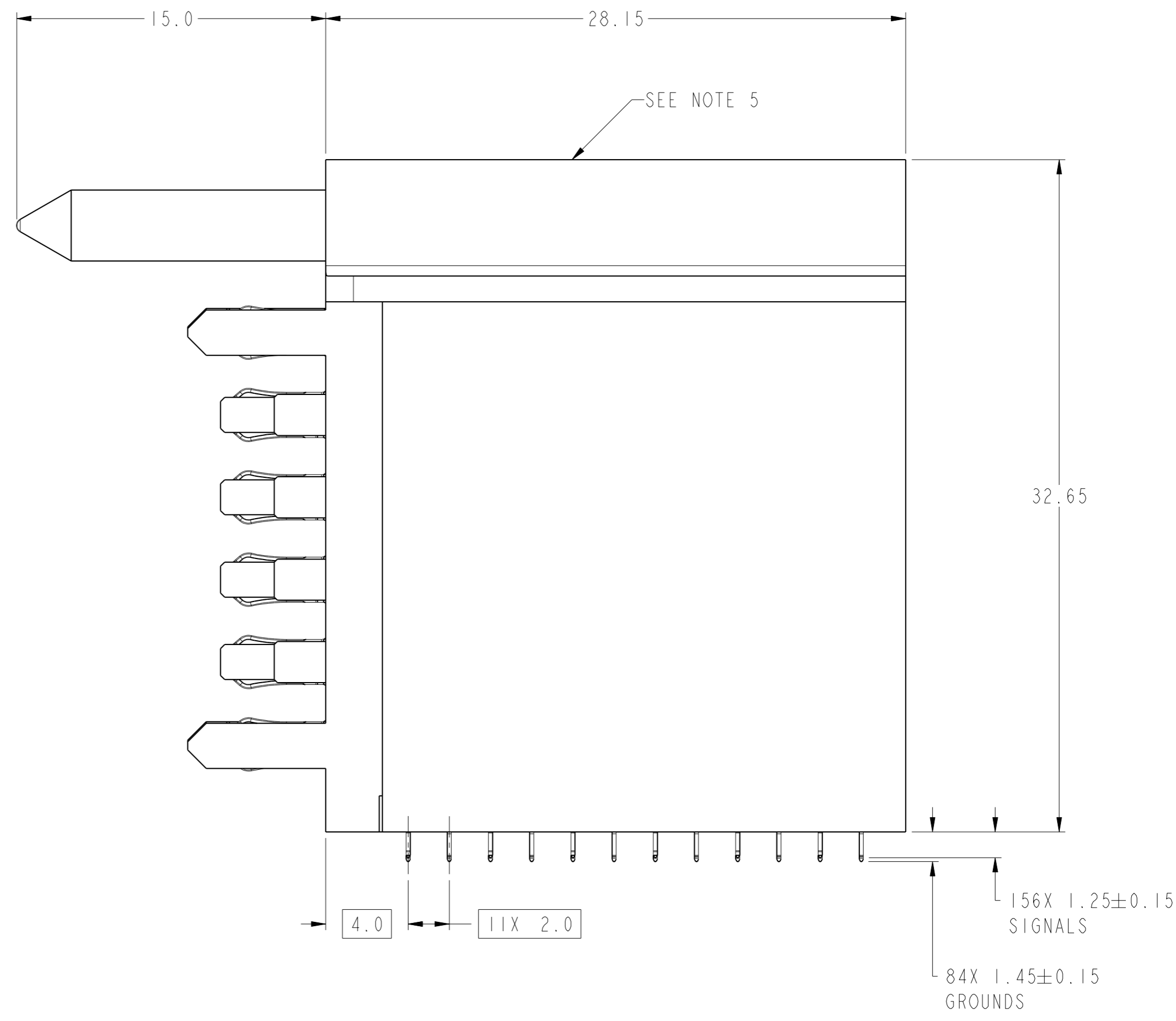
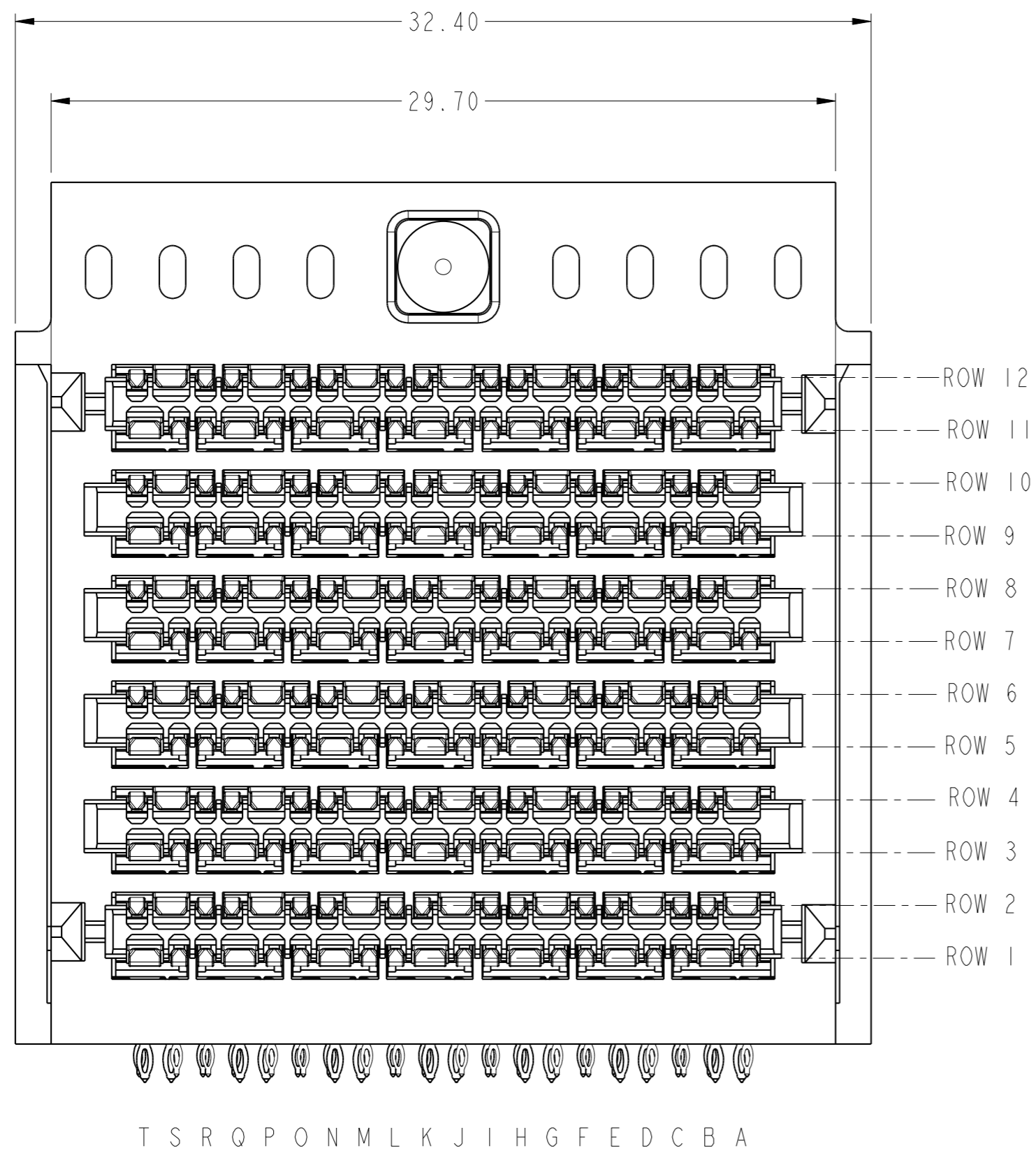
spec ref	---	dr	Mark R Gray	2014/02/24	projection	MM	size	A2	scale	5:1		
tolerance std	ASME Y14.5M	eng	Peng-Bing Fu	2017/11/10			ecn no	ELX-DG-28422-1				
TOLERANCES UNLESS OTHERWISE SPECIFIED		chr	Justin Chen	2017/11/29			rel level	Released				
surface		linear	0.X	±.3	product family	-	rel level	Released				
			0.XX	±.10	Amphenol FCi	title	ExaMAX Orthogonal R.A. Header		dwg no	10129181	rev	B
			0.XXX	±.050		cat. no.	-	Product - Customer Drw	sheet 2 of 7			
		angular	0°	±°								

PDS: Rev :B

STATUS:Released

Printed: Dec 12, 2017

PRODUCT NUMBER	DESCRIPTION
10129181-103LF	WITH GUIDE PIN, NO PCB SCREW MOUNTS



Amphenol
FCi

© 2016 AFci

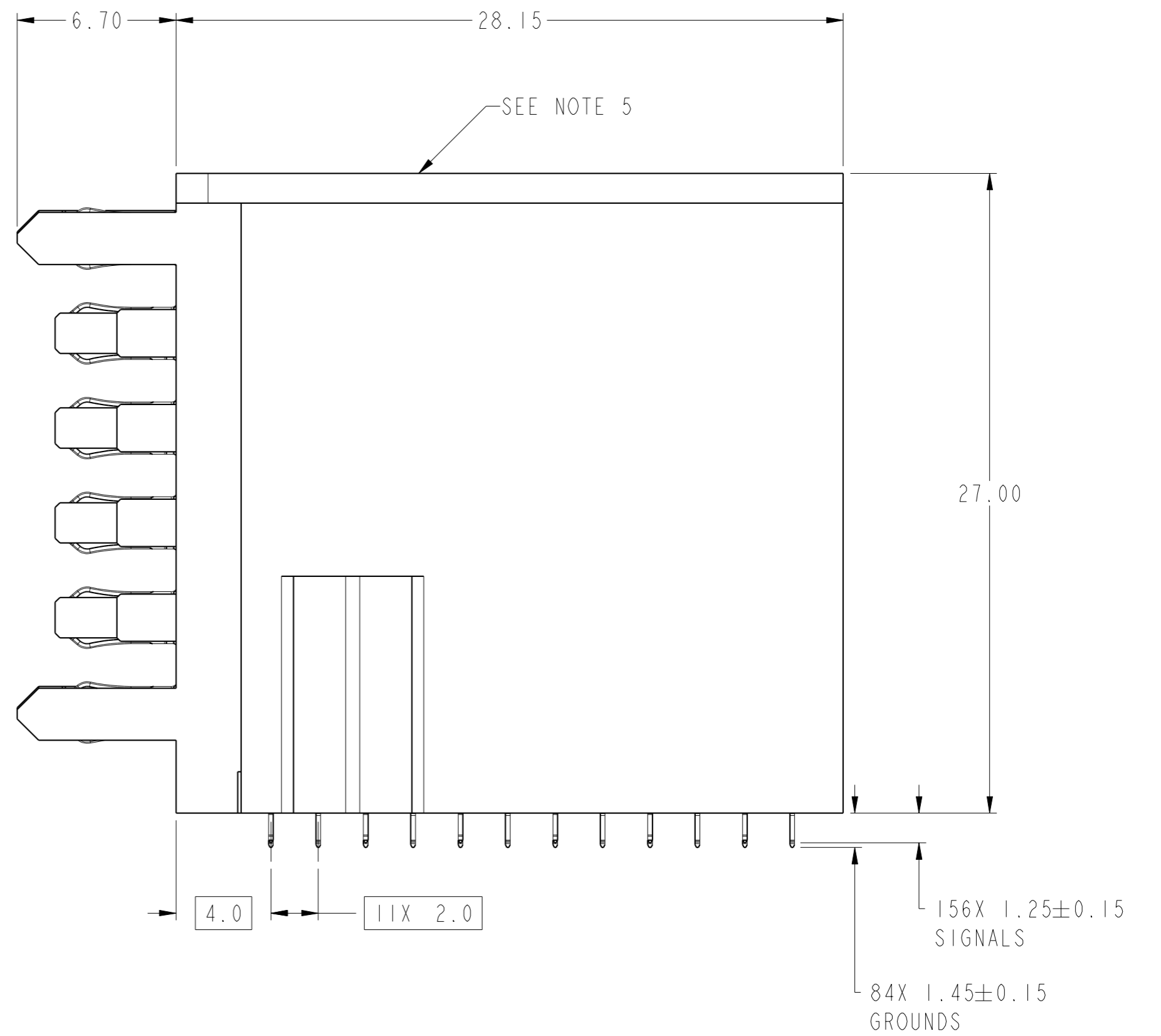
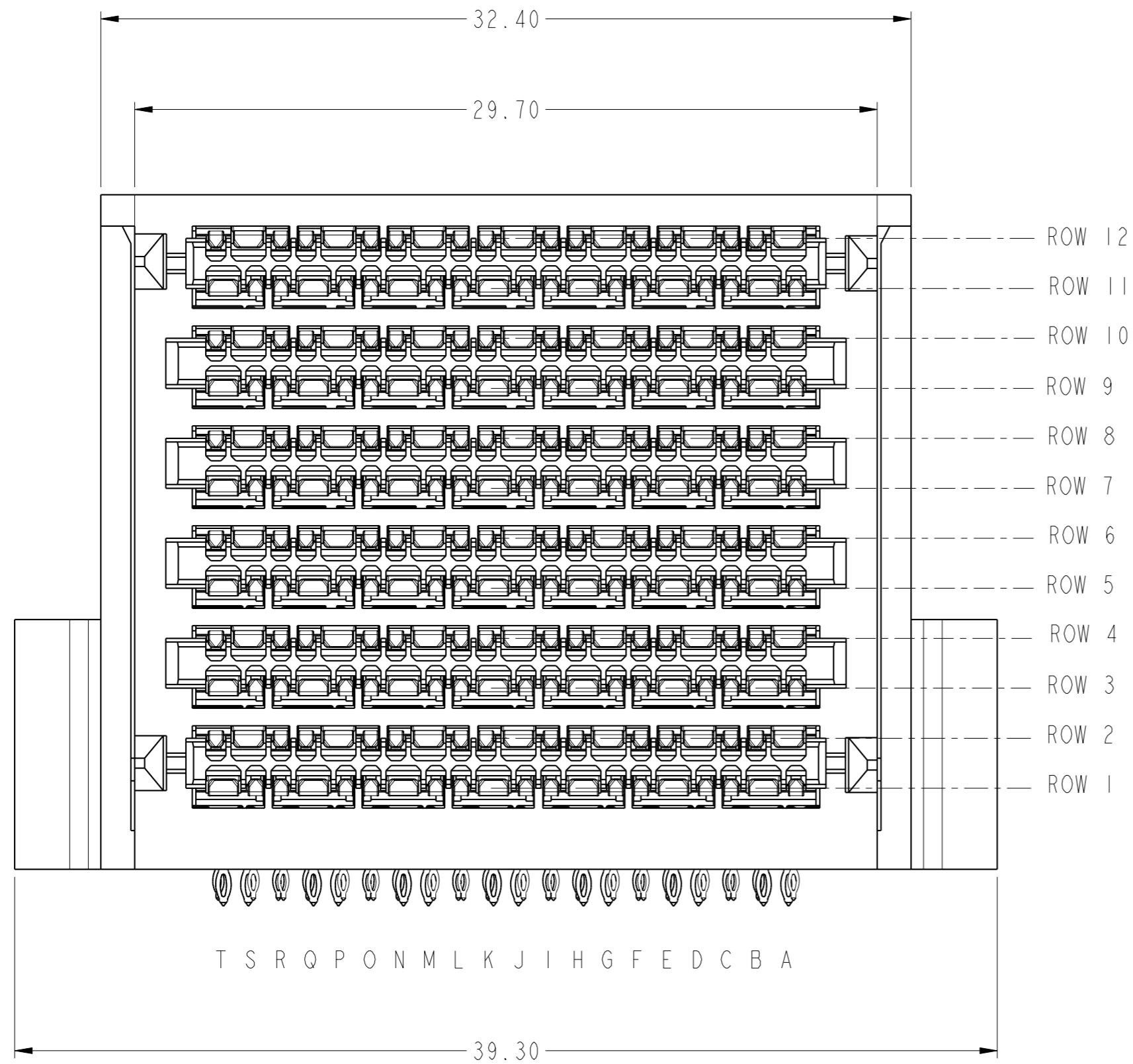
spec ref	---	dr	Mark R Gray	2014/02/24	projection	MM	size	A2	scale	5:1
tolerance std	ASME Y14.5M	eng	Peng-Bing Fu	2017/11/10			ecn no	ELX-DG-28422-1		
TOLERANCES UNLESS OTHERWISE SPECIFIED		chr	Justin Chen	2017/11/29			rel level	Released		
surface	<input checked="" type="checkbox"/> linear <input type="checkbox"/> angular	0.X	±.3		product family	-				
		0.XX	±.10		title	ExaMAX Orthogonal R.A. Header				
		0.XXX	±.050		cat. no.	-				
		0°	±°		6 PAIR, 12 IMLA (240 Position) ASS'Y	dwg no	10129181			
					Product - Customer Drw	rev	B			
						sheet 3 of 7				

PDS: Rev :B

STATUS:Released

Printed: Dec 12, 2017

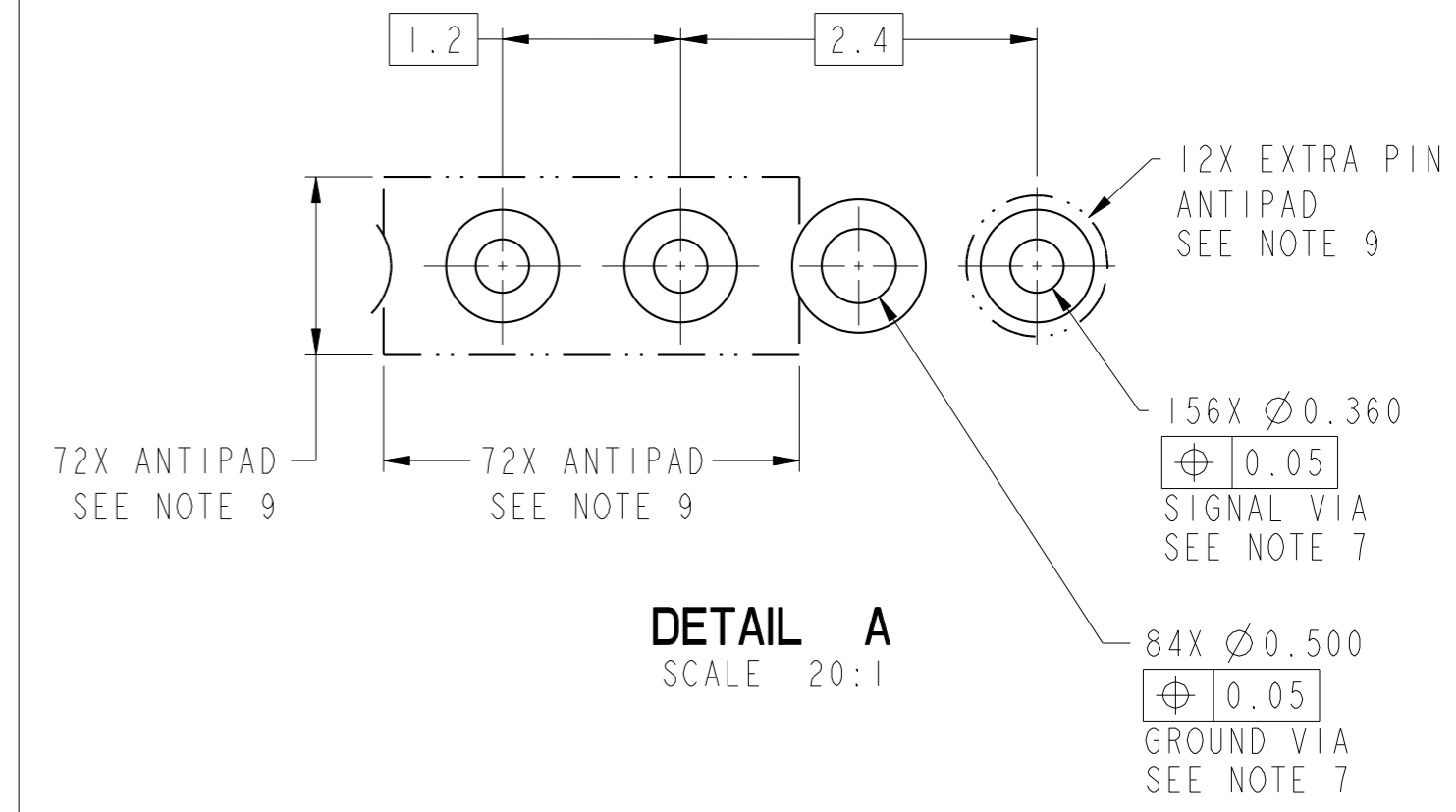
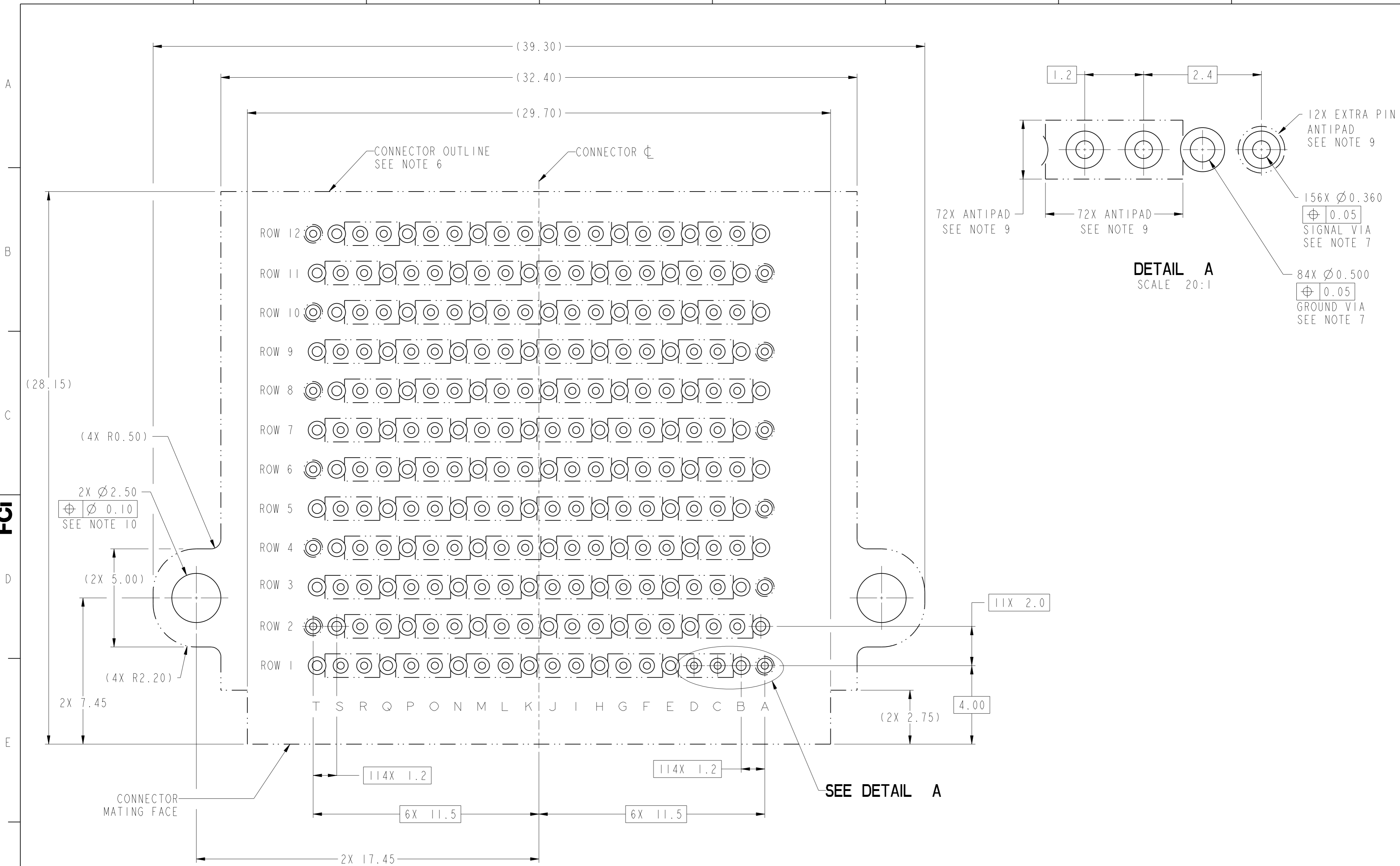
PRODUCT NUMBER	DESCRIPTION
10129181-104LF	NO GUIDE PIN, WITH PCB SCREW MOUNTS



spec ref	---	dr	Mark R Gray	2014/02/24	projection	MM	size	A2	scale	5:1											
tolerance std	ASME Y14.5M	eng	Peng-Bing Fu	2017/11/10			ecn no	ELX-DG-28422-1													
TOLERANCES UNLESS OTHERWISE SPECIFIED		chr	Justin Chen	2017/11/29			rel level	Released													
		appr	Heaven Cen	2017/11/30			product family														
surface	<table border="1"> <tr> <td>linear</td> <td>0.X</td> <td>±.3</td> </tr> <tr> <td></td> <td>0.XX</td> <td>±.10</td> </tr> <tr> <td></td> <td>0.XXX</td> <td>±.050</td> </tr> <tr> <td>angular</td> <td>0°</td> <td>±°</td> </tr> </table>	linear	0.X	±.3		0.XX	±.10		0.XXX	±.050	angular	0°	±°			Amphenol FCI Title: ExaMAX Orthogonal R.A. Header 6 PAIR, 12 IMLA (240 Position) ASS'Y		dwg no 10129181	rev B	cat. no. - Product - Customer Draw sheet 4 of 7	
linear	0.X	±.3																			
	0.XX	±.10																			
	0.XXX	±.050																			
angular	0°	±°																			

Amphenol FCI

© 2016 APCI

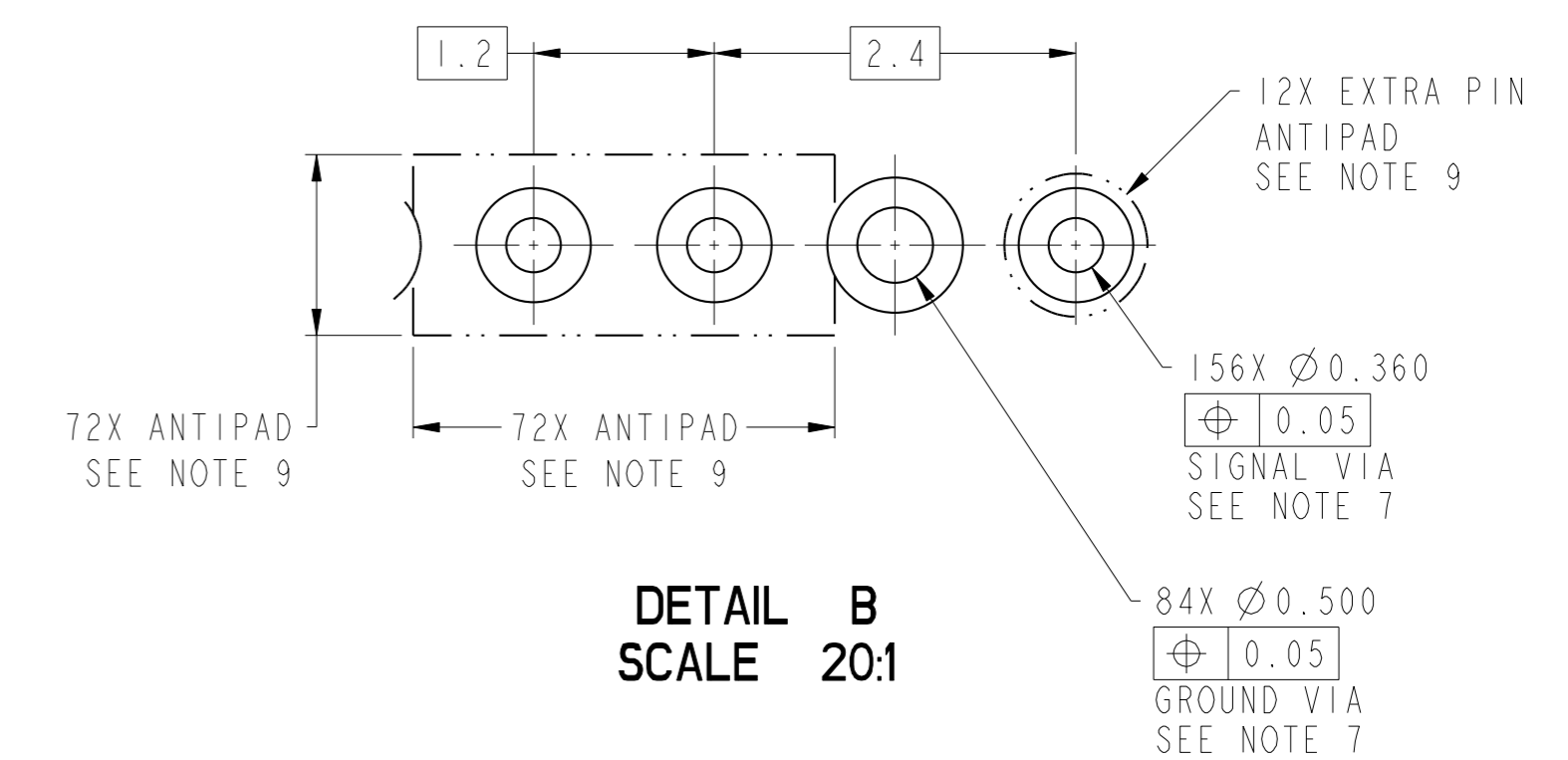
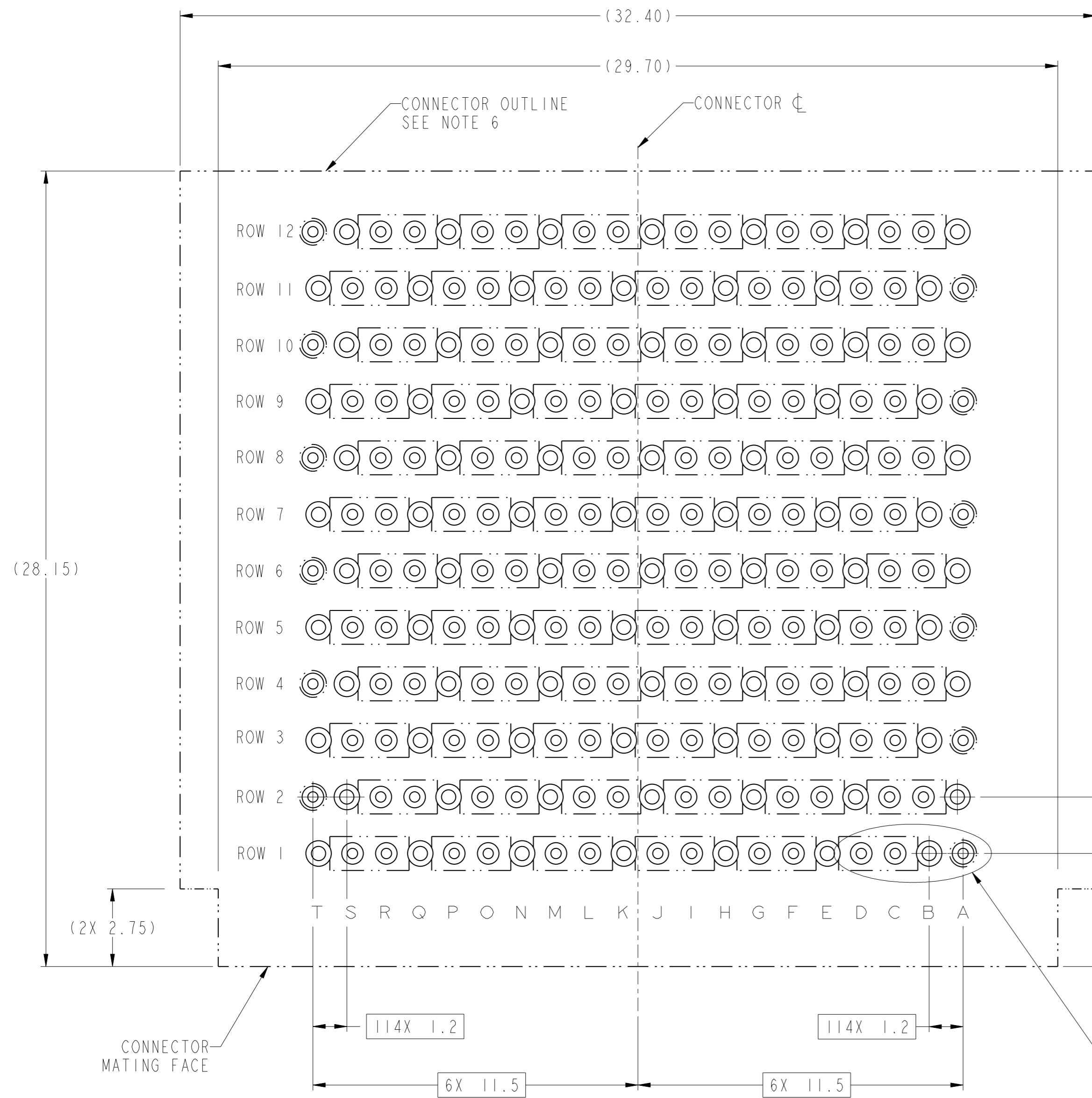


Amphenol FCI

© 2016 AFCI

RECOMMENDED PCB LAYOUT FOR P/N 10129181-101LF AND 10129181-104LF
COMPONENT SIDE
NOTES 6, 7, 9, & 10
SCALE 8:1

spec ref	---	dr	Mark R Gray	2014/02/24	projection	MM	size	A2	scale	2:1										
tolerance std	ASME Y14.5M	eng	Peng-Bing Fu	2017/11/10			ecn no	ELX-DG-28422-1												
TOLERANCES UNLESS OTHERWISE SPECIFIED		chr	Justin Chen	2017/11/29			rel level	Released												
		appr	Heaven Cen	2017/11/30			product family													
surface	<table border="1"> <tr> <td>linear</td> <td>0.X</td> <td>\pm.3</td> </tr> <tr> <td></td> <td>0.XX</td> <td>\pm.10</td> </tr> <tr> <td></td> <td>0.XXX</td> <td>\pm.050</td> </tr> <tr> <td>angular</td> <td>0°</td> <td>\pm°</td> </tr> </table>	linear	0.X	\pm .3		0.XX	\pm .10		0.XXX	\pm .050	angular	0°	\pm °			title ExaMAX Orthogonal R.A. Header 6 PAIR, 12 IMLA (240 Position) ASS'Y			dwg no 10129181	rev B
linear	0.X	\pm .3																		
	0.XX	\pm .10																		
	0.XXX	\pm .050																		
angular	0°	\pm °																		
		cat. no.			Product - Customer Drw		sheet 5 of 7													



Amphenol
FCi

RECOMMENDED PCB LAYOUT FOR P/N 10129181-102LF AND 10129181-103LF
 COMPONENT SIDE
 NOTES 6, 7, & 9
 SCALE 8:1

spec ref	---	dr	Mark R Gray	2014/02/24	projection	MM	size	A2	scale	4:1	
tolerance std	ASME Y14.5M	eng	Peng-Bing Fu	2017/11/10			ecn no	ELX-DG-28422-1			
TOLERANCES UNLESS OTHERWISE SPECIFIED		chr	Justin Chen	2017/11/29			rel level	Released			
surface	✓	appr	Heaven Cen	2017/11/30			product family				
linear	0.X ±.3	Amphenol FCi		title		ExaMAX Orthogonal R.A. Header		diag no	10129181		
	0.XX ±.10			6 PAIR, 12 IMLA (240 Position) ASS'Y		rev	B				
	0.XXX ±.050			cat. no.		Product - Customer Drw		sheet 6 of 7			
angular	0° ±°										

NOTES:

- ① - CONNECTOR MATERIALS:
 FRONT HOUSING: HIGH TEMP THERMOPLASTIC, BLACK, UL94-V0
 ORGANIZER: HIGH TEMP THERMOPLASTIC, BLACK, UL94-V0
 IMLA PLASTIC: HIGH TEMP THERMOPLASTIC, BLACK, UL94-V0
 CONTACT: COPPER ALLOY
 GUIDE PIN: STAINLESS STEEL
 MACHINE SCREW AND LOCK WASHER: STAINLESS STEEL

- 2 - CONTACT PLATING:
 SEPARABLE INTERFACE:
 PERFORMANCE-BASED PLATING, QUALIFIED TO MEET THE
 REQUIREMENTS OF FCI PRODUCT SPECIFICATION GS-12-1096
 INCLUDING TELCORDIA GR-1217-CORE (NOVEMBER 1995)
 CENTRAL OFFICE TEST SEQUENCE

 PRESS-FIT TAILS: TIN OVER NICKEL (LEAD FREE)

- 3 - PRODUCT SPECIFICATION: GS-12-1096

- 4 - PACKAGING MEETS GS-14-920 LEAD FREE LABELING
 SPECIFICATION.

- ⑤ - PRODUCT MARKING, (PART NUMBER & LOT CODE), ON THIS SURFACE.

- ⑥ - CONNECTOR OUTLINE MAY BE SCREEN PRINTED ONTO CUSTOMER PCB TO
 BE USED AS A GUIDE FOR MANUAL CONNECTOR PLACEMENT.

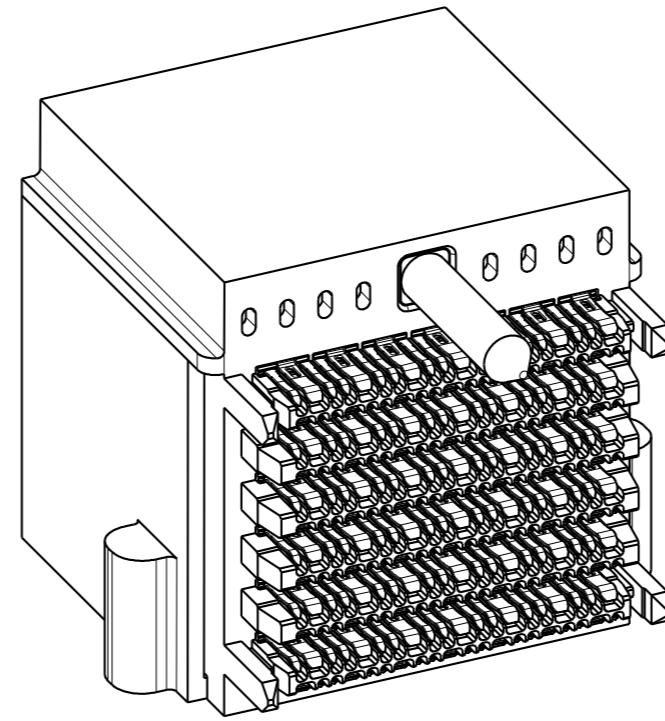
- ⑦ - REFER TO CUSTOMER DRAWING 10119933 FOR INFORMATION
 ON PCB HOLE DIAMETERS AND PLATING OPTIONS

- ⑧ - LEAD FREE PRODUCT MEETS THE EUROPEAN UNION DIRECTIVES &
 OTHER COUNTRY REGULATIONS AS DESCRIBED IN GS-47-0004

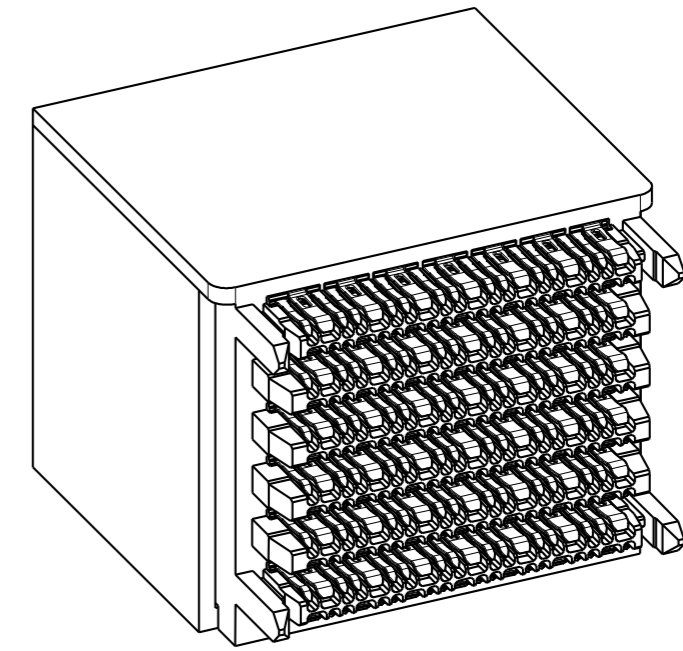
- ⑨ - REFER TO ROUTING GUIDE GS-20-0511 FOR RECOMMENDATIONS
 ON OPTIMIZATION OF FOOTPRINT AND TRACE ROUTING LAYOUT.

- ⑩ - IT IS RECOMMENDED THAT CONNECTORS WITH THE OPTIONAL SCREW MOUNTS USE A
 TRI-ROUNDULAR, OR TRILOBULAR® SHAPED M1.91 OR M2 THREAD FORMING SCREW DESIGNED
 SPECIFICALLY FOR PLASTIC MATERIAL TO SECURE THE CONNECTOR TO THE PCB. THE
 SCREW LENGTH SHOULD BE 4.00mm TO 8.00mm LONG PLUS THE BOARD THICKNESS.

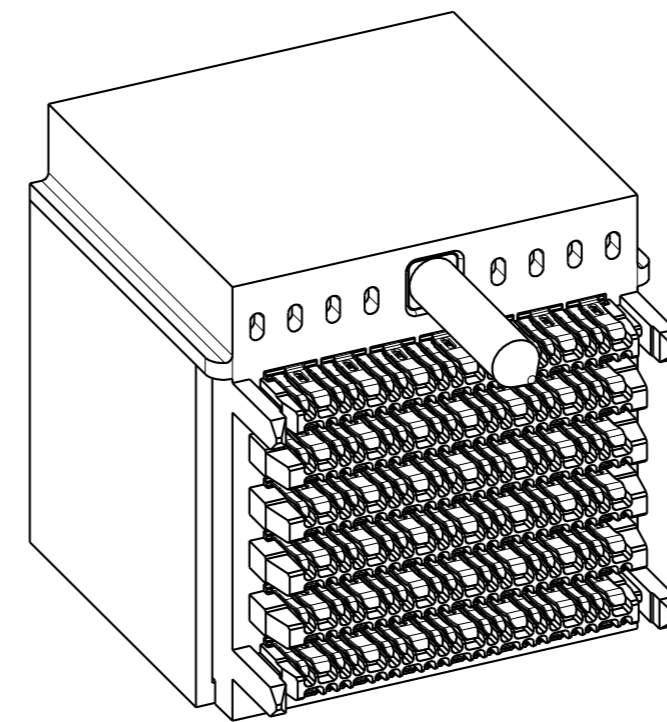
- 11 - THE CONNECTOR WILL WITHSTAND EXPOSURE TO 260° C PEAK TEMPERATURE FOR 10-30
 SECONDS IN A CONVECTION, INFRA-RED, OR VAPOR PHASE REFLOW OVEN.



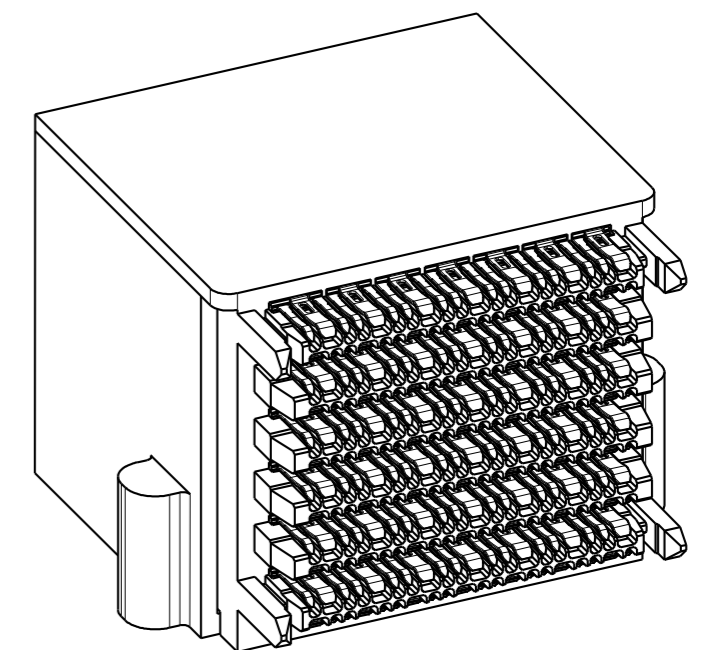
10129181-101LF



10129181-102LF



10129181-103LF



10129181-104LF

Amphenol
FCi

© 2016 AFCI

spec ref	---	dr	Mark R Gray	2014/02/24	projection	MM	size	A2	scale	2:1
tolerance std	ASME Y14.5M	eng	Peng-Bing Fu	2017/11/10			ecn no	ELX-DG-28422-1		
TOLERANCES UNLESS OTHERWISE SPECIFIED		chr	Justin Chen	2017/11/29			rel level	Released		
surface	<input checked="" type="checkbox"/> linear		0.X	±.3	Amphenol FCi	title ExaMAX Orthogonal R.A. Header 6 PAIR, 12 IMLA (240 Position) ASS'Y	dwg no 10129181	rev B		
			0.XX	±.10						
			0.XXX	±.050						
			angular	0°	±°	cat. no.	Product - Customer Draw		sheet 7 of 7	



Стандарт Электрон Связь

Мы молодая и активно развивающаяся компания в области поставок электронных компонентов. Мы поставляем электронные компоненты отечественного и импортного производства напрямую от производителей и с крупнейших складов мира.

Благодаря сотрудничеству с мировыми поставщиками мы осуществляем комплексные и плановые поставки широчайшего спектра электронных компонентов.

Собственная эффективная логистика и склад в обеспечивает надежную поставку продукции в точно указанные сроки по всей России.

Мы осуществляем техническую поддержку нашим клиентам и предпродажную проверку качества продукции. На все поставляемые продукты мы предоставляем гарантию .

Осуществляем поставки продукции под контролем ВП МО РФ на предприятия военно-промышленного комплекса России , а также работаем в рамках 275 ФЗ с открытием отдельных счетов в уполномоченном банке. Система менеджмента качества компании соответствует требованиям ГОСТ ISO 9001.

Минимальные сроки поставки, гибкие цены, неограниченный ассортимент и индивидуальный подход к клиентам являются основой для выстраивания долгосрочного и эффективного сотрудничества с предприятиями радиоэлектронной промышленности, предприятиями ВПК и научно-исследовательскими институтами России.

С нами вы становитесь еще успешнее!

Наши контакты:

Телефон: +7 812 627 14 35

Электронная почта: sales@st-electron.ru

Адрес: 198099, Санкт-Петербург,
Промышленная ул, дом № 19, литера Н,
помещение 100-Н Офис 331