

74LVC374A

Low-Voltage CMOS Octal D-Type Flip-Flop

With 5 V-Tolerant Inputs and Outputs (3-State, Non-Inverting)

The 74LVC374A is a high performance, non-inverting octal D-type flip-flop operating from a 1.2 to 3.6 V supply. High impedance TTL compatible inputs significantly reduce current loading to input drivers while TTL compatible outputs offer improved switching noise performance. A V_I specification of 5.5 V allows 74LVC374A inputs to be safely driven from 5 V devices.

The 74LVC374A consists of 8 edge-triggered flip-flops with individual D-type inputs and 3-state true outputs. The buffered clock and buffered Output Enable (\overline{OE}) are common to all flip-flops. The eight flip-flops will store the state of individual D inputs that meet the setup and hold time requirements on the LOW-to-HIGH Clock (CP) transition. With the \overline{OE} LOW, the contents of the eight flip-flops are available at the outputs. When the \overline{OE} is HIGH, the outputs go to the high impedance state. The \overline{OE} input level does not affect the operation of the flip-flops.

Features

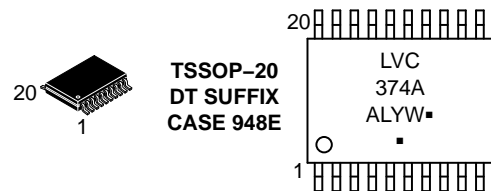
- Designed for 1.2 to 3.6 V V_{CC} Operation
- 5 V Tolerant – Interface Capability With 5 V TTL Logic
- Supports Live Insertion and Withdrawal
- I_{OFF} Specification Guarantees High Impedance When $V_{CC} = 0$ V
- 24 mA Output Sink and Source Capability
- Near Zero Static Supply Current in All Three Logic States (10 μ A) Substantially Reduces System Power Requirements
- ESD Performance:
 - ◆ Human Body Model >2000 V
 - ◆ Machine Model >200 V
- These are Pb-Free Devices



ON Semiconductor®

www.onsemi.com

MARKING DIAGRAM



A = Assembly Location
L, WL = Wafer Lot
Y, YY = Year
W, WW = Work Week
G or ■ = Pb-Free Package

(Note: Microdot may be in either location)

ORDERING INFORMATION

See detailed ordering and shipping information on page 8 of this data sheet.

74LVC374A



Figure 1. Pinout: 20-Lead (Top View)

PIN NAMES

Pins	Function
\overline{OE}	Output Enable Input
CP	Clock Pulse Input
D0–D7	Data Inputs
O0–O7	3-State Outputs

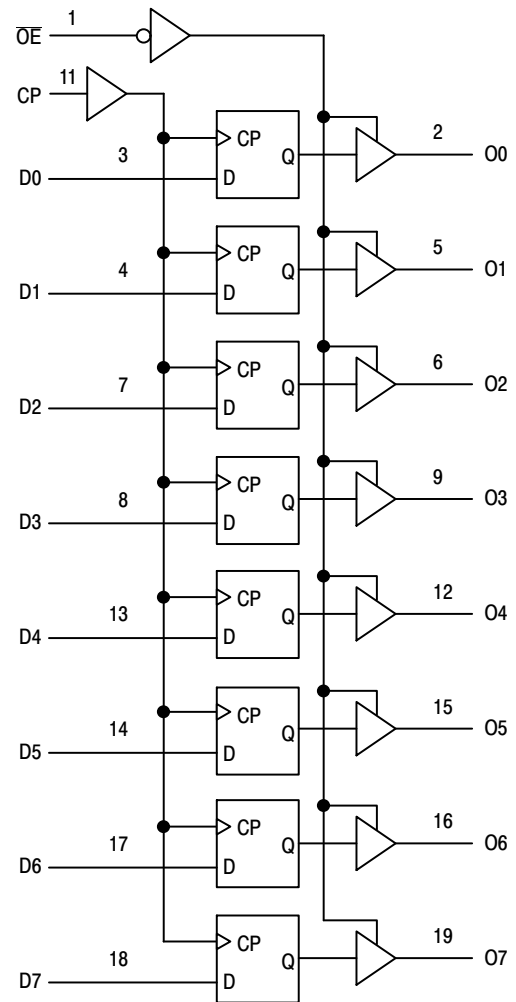


Figure 2. LOGIC DIAGRAM

TRUTH TABLE

INPUTS			OUTPUTS	OPERATING MODE
\overline{OE}	CP	Dn	On	
L	\uparrow	l	L	Load and Read Register
L	\uparrow	h	H	
L	∇	X	NC	Hold and Read Register
H	∇	X	Z	Hold and Disable Outputs
H	\uparrow	l	Z	Load Internal Register and Disable Outputs
H	\uparrow	h	Z	

- H = High Voltage Level
- h = High Voltage Level One Setup Time Prior to the Low-to-High Clock Transition
- L = Low Voltage Level
- l = Low Voltage Level One Setup Time Prior to the Low-to-High Clock Transition
- NC = No Change, State Prior to Low-to-High Clock Transition
- X = High or Low Voltage Level and Transitions are Acceptable
- Z = High Impedance State
- \uparrow = Low-to-High Transition
- ∇ = Not a Low-to-High Transition; For I_{CC} Reasons, DO NOT FLOAT Inputs

74LVC374A

MAXIMUM RATINGS

Symbol	Parameter	Condition	Value	Unit
V _{CC}	DC Supply Voltage		-0.5 to +6.5	V
V _I	DC Input Voltage		-0.5 ≤ V _I ≤ +6.5	V
V _O	DC Output Voltage	Output in 3-State	-0.5 ≤ V _O ≤ +6.5	V
		Output in HIGH or LOW State (Note 1)	-0.5 ≤ V _O ≤ V _{CC} + 0.5	V
I _{IK}	DC Input Diode Current	V _I < GND	-50	mA
I _{OK}	DC Output Diode Current	V _O < GND	-50	mA
		V _O > V _{CC}	+50	mA
I _O	DC Output Source/Sink Current		±50	mA
I _{CC}	DC Supply Current Per Supply Pin		±100	mA
I _{GND}	DC Ground Current Per Ground Pin		±100	mA
T _{STG}	Storage Temperature Range		-65 to +150	°C
T _L	Lead Temperature, 1 mm from Case for 10 Seconds		T _L = 260	°C
T _J	Junction Temperature Under Bias		T _J = 135	°C
θ _{JA}	Thermal Resistance (Note 2) TSSOP		110.7	°C/W
MSL	Moisture Sensitivity	Level 1		

Stresses exceeding those listed in the Maximum Ratings table may damage the device. If any of these limits are exceeded, device functionality should not be assumed, damage may occur and reliability may be affected.

- I_O absolute maximum rating must be observed.
- Measured with minimum pad spacing on an FR4 board, using 10 mm-by-1 inch, 2 ounce copper trace no air flow.

RECOMMENDED OPERATING CONDITIONS

Symbol	Parameter	Min	Typ	Max	Unit
V _{CC}	Supply Voltage Operating Functional	1.65 1.2		3.6 3.6	V
V _I	Input Voltage	0		5.5	V
V _O	Output Voltage HIGH or LOW State 3-State	0 0		V _{CC} 5.5	V
I _{OH}	HIGH Level Output Current V _{CC} = 3.0 V – 3.6 V V _{CC} = 2.7 V – 3.0 V			-24 -12	mA
I _{OL}	LOW Level Output Current V _{CC} = 3.0 V – 3.6 V V _{CC} = 2.7 V – 3.0 V			24 12	mA
T _A	Operating Free-Air Temperature	-40		+125	°C
Δt/ΔV	Input Transition Rise or Fall Rate, V _{CC} = 1.65 to 2.7 V V _{CC} = 2.7 to 3.6 V	0 0		20 10	ns/V

Functional operation above the stresses listed in the Recommended Operating Ranges is not implied. Extended exposure to stresses beyond the Recommended Operating Ranges limits may affect device reliability.

74LVC374A

DC ELECTRICAL CHARACTERISTICS

Symbol	Parameter	Conditions	-40 to +85°C			-40 to +125°C			Unit
			Min	Typ (Note 3)	Max	Min	Typ (Note 3)	Max	
V _{IH}	HIGH-level input voltage	V _{CC} = 1.2 V	1.08	–	–	1.08	–	–	V
		V _{CC} = 1.65 V to 1.95 V	0.65 x V _{CC}	–	–	0.65 x V _{CC}	–	–	
		V _{CC} = 2.3 V to 2.7 V	1.7	–	–	1.7	–	–	
		V _{CC} = 2.7 V to 3.6 V	2.0	–	–	2.0	–	–	
V _{IL}	LOW-level input voltage	V _{CC} = 1.2 V	–	–	0.12	–	–	0.12	V
		V _{CC} = 1.65 V to 1.95 V	–	–	0.35 x V _{CC}	–	–	0.35 x V _{CC}	
		V _{CC} = 2.3 V to 2.7 V	–	–	0.7	–	–	0.7	
		V _{CC} = 2.7 V to 3.6 V	–	–	0.8	–	–	0.8	
V _{OH}	HIGH-level output voltage	V _I = V _{IH} or V _{IL}							V
		I _O = –100 μA; V _{CC} = 1.65 V to 3.6 V	V _{CC} – 0.2	–	–	V _{CC} – 0.3	–	–	
		I _O = –4 mA; V _{CC} = 1.65 V	1.2	–	–	1.05	–	–	
		I _O = –8 mA; V _{CC} = 2.3 V	1.8	–	–	1.65	–	–	
		I _O = –12 mA; V _{CC} = 2.7 V	2.2	–	–	2.05	–	–	
		I _O = –18 mA; V _{CC} = 3.0 V	2.4	–	–	2.25	–	–	
		I _O = –24 mA; V _{CC} = 3.0 V	2.2	–	–	2.0	–	–	
V _{OL}	LOW-level output voltage	V _I = V _{IH} or V _{IL}							V
		I _O = 100 μA; V _{CC} = 1.65 V to 3.6 V	–	–	0.2	–	–	0.3	
		I _O = 4 mA; V _{CC} = 1.65 V	–	–	0.45	–	–	0.65	
		I _O = 8 mA; V _{CC} = 2.3 V	–	–	0.6	–	–	0.8	
		I _O = 12 mA; V _{CC} = 2.7 V	–	–	0.4	–	–	0.6	
		I _O = –24 mA; V _{CC} = 3.0 V	–	–	0.55	–	–	0.8	
I _I	Input leakage current	V _I = 5.5 V or GND; V _{CC} = 3.6 V	–	±0.1	±5	–	±0.1	±20	μA
I _{OZ}	OFF-state output current	V _I = V _{IH} or V _{IL} ; V _O = 5.5 V or GND; V _{CC} = 3.6 V	–	±0.1	±5	–	±0.1	±20	μA
I _{OFF}	Power-off leakage current	V _I or V _O = 5.5 V; V _{CC} = 0.0 V	–	±0.1	±10	–	±0.1	±20	μA
I _{CC}	Supply current	V _I = V _{CC} or GND; I _O = 0 A; V _{CC} = 3.6 V	–	0.1	10	–	0.1	40	μA
ΔI _{CC}	Additional supply current	per input pin; V _I = V _{CC} – 0.6 V; I _O = 0 A; V _{CC} = 2.7 V to 3.6 V	–	5	500	–	5	5000	μA

Product parametric performance is indicated in the Electrical Characteristics for the listed test conditions, unless otherwise noted. Product performance may not be indicated by the Electrical Characteristics if operated under different conditions.

3. All typical values are measured at T_A = 25°C and V_{CC} = 3.3 V, unless stated otherwise.

74LVC374A

AC ELECTRICAL CHARACTERISTICS ($t_R = t_F = 2.5 \text{ ns}$)

Symbol	Parameter	Conditions	-40 to +85°C			-40 to +125°C			Unit
			Min	Typ (Note 4)	Max	Min	Typ (Note 4)	Max	
t _{pd}	Propagation Delay (Note 5) CP to On	V _{CC} = 1.2 V	–	16.0	–	–	–	–	ns
		V _{CC} = 1.65 V to 1.95 V	2.2	7.4	16.3	2.2	–	18.8	
		V _{CC} = 2.3 V to 2.7 V	1.5	3.9	8.4	1.5	–	9.7	
		V _{CC} = 2.7 V	1.5	3.5	8.0	1.5	–	10.0	
		V _{CC} = 3.0 V to 3.6 V	1.5	3.3	7.0	1.5	–	9.0	
t _{en}	Enable Time (Note 6) OE to On	V _{CC} = 1.2 V	–	19.0	–	–	–	–	ns
		V _{CC} = 1.65 V to 1.95 V	1.5	6.6	16.7	1.5	–	19.3	
		V _{CC} = 2.3 V to 2.7 V	1.5	3.7	9.3	1.5	–	10.8	
		V _{CC} = 2.7 V	1.5	3.8	8.5	1.5	–	11.0	
		V _{CC} = 3.0 V to 3.6 V	1.5	3.0	7.5	1.5	–	9.5	
t _{dis}	Disable Time (Note 7) OE to On	V _{CC} = 1.2 V	–	8.0	–	–	–	–	ns
		V _{CC} = 1.65 V to 1.95 V	2.3	4.0	10.1	2.3	–	11.7	
		V _{CC} = 2.3 V to 2.7 V	1.0	2.2	5.7	1.0	–	6.7	
		V _{CC} = 2.7 V	1.5	3.1	6.5	1.5	–	9.0	
		V _{CC} = 3.0 V to 3.6 V	1.5	2.9	6.0	1.5	–	7.5	
t _w	Pulse Width CP HIGH or LOW	V _{CC} = 1.65 V to 1.95 V	5.0	–	–	5.0	–	–	ns
		V _{CC} = 2.3 V to 2.7 V	4.0	–	–	4.0	–	–	
		V _{CC} = 2.7 V	3.0	–	–	4.5	–	–	
		V _{CC} = 3.0 V to 3.6 V	3.0	1.5	–	4.5	–	–	
t _{su}	Set-up Time Dn to CP	V _{CC} = 1.65 V to 1.95 V	4.0	–	–	4.0	–	–	ns
		V _{CC} = 2.3 V to 2.7 V	3.0	–	–	3.0	–	–	
		V _{CC} = 2.7 V	2.0	–	–	2.0	–	–	
		V _{CC} = 3.0 V to 3.6 V	2.0	0.0	–	2.0	–	–	
t _h	Hold Time Dn to CP	V _{CC} = 1.65 V to 1.95 V	3.0	–	–	3.0	–	–	ns
		V _{CC} = 2.3 V to 2.7 V	2.0	–	–	2.0	–	–	
		V _{CC} = 2.7 V	1.5	–	–	1.5	–	–	
		V _{CC} = 3.0 V to 3.6 V	1.5	0.6	–	1.5	–	–	
f _{max}	Maximum Frequency	V _{CC} = 1.65 V to 1.95 V	100	–	–	64	–	–	MHz
		V _{CC} = 2.3 V to 2.7 V	125	–	–	100	–	–	
		V _{CC} = 2.7 V	150	–	–	120	–	–	
		V _{CC} = 3.0 V to 3.6 V	150	–	–	120	–	–	
t _{sk(0)}	Output Skew Time (Note 8)		–	–	1.0	–	–	1.5	ns

Product parametric performance is indicated in the Electrical Characteristics for the listed test conditions, unless otherwise noted. Product performance may not be indicated by the Electrical Characteristics if operated under different conditions.

4. Typical values are measured at T_A = 25°C and V_{CC} = 3.3 V, unless stated otherwise.

5. t_{pd} is the same as t_{PLH} and t_{PHL}.

6. t_{en} is the same as t_{PZL} and t_{PZH}.

7. t_{dis} is the same as t_{PLZ} and t_{PHZ}.

8. Skew between any two outputs of the same package switching in the same direction. This parameter is guaranteed by design.

74LVC374A

DYNAMIC SWITCHING CHARACTERISTICS

Symbol	Characteristic	Condition	T _A = +25°C			Unit
			Min	Typ	Max	
V _{OLP}	Dynamic LOW Peak Voltage (Note 9)	V _{CC} = 3.3 V, C _L = 50 pF, V _{IH} = 3.3 V, V _{IL} = 0 V V _{CC} = 2.5 V, C _L = 30 pF, V _{IH} = 2.5 V, V _{IL} = 0 V		0.8 0.6		V
V _{OLV}	Dynamic LOW Valley Voltage (Note 9)	V _{CC} = 3.3 V, C _L = 50 pF, V _{IH} = 3.3 V, V _{IL} = 0 V V _{CC} = 2.5 V, C _L = 30 pF, V _{IH} = 2.5 V, V _{IL} = 0 V		-0.8 -0.6		V

9. Number of outputs defined as “n”. Measured with “n-1” outputs switching from HIGH-to-LOW or LOW-to-HIGH. The remaining output is measured in the LOW state.

CAPACITIVE CHARACTERISTICS

Symbol	Parameter	Condition	Typical	Unit
C _{IN}	Input Capacitance	V _{CC} = 3.3 V, V _I = 0 V or V _{CC}	5.0	pF
C _{OUT}	Output Capacitance	V _{CC} = 3.3 V, V _I = 0 V or V _{CC}	6.0	pF
C _{PD}	Power Dissipation Capacitance (Note 10)	Per flip-flop; V _I = GND or V _{CC}		pF
		V _{CC} = 1.65 V to 1.95 V	11.6	
		V _{CC} = 2.3 V to 2.7 V	13.6	
		V _{CC} = 3.0 V to 3.6 V	15.4	

10. C_{PD} is used to determine the dynamic power dissipation (PD in μW).

$$P_D = C_{PD} \times V_{CC}^2 \times f_i \times N + \sum (C_L \times V_{CC}^2 \times f_o) \text{ where:}$$

f_i = input frequency in MHz; f_o = output frequency in MHz

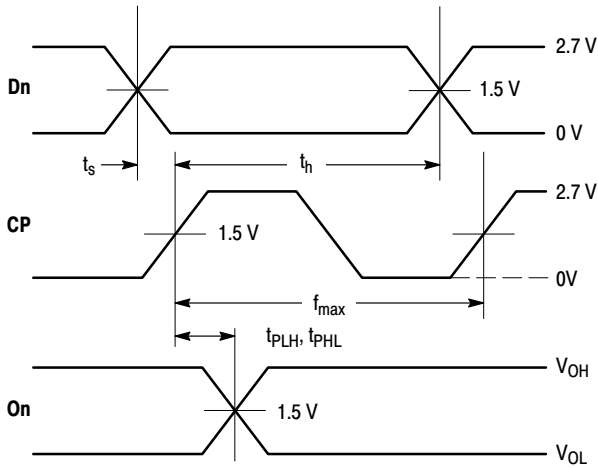
C_L = output load capacitance in pF

V_{CC} = supply voltage in Volts

N = number of outputs switching

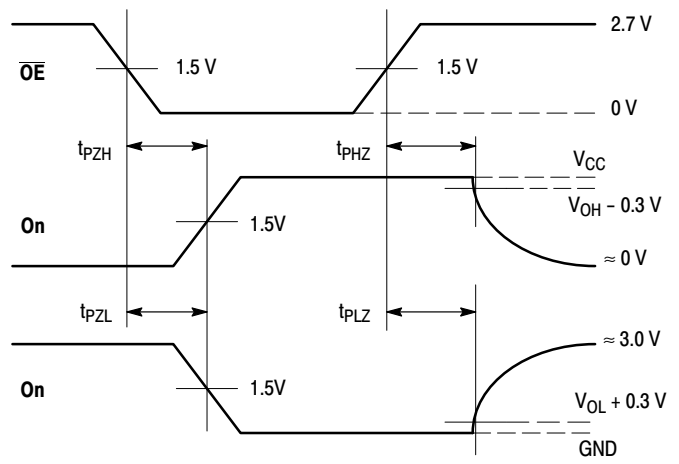
∑(C_L × V_{CC}² × f_o) = sum of the outputs

74LVC374A



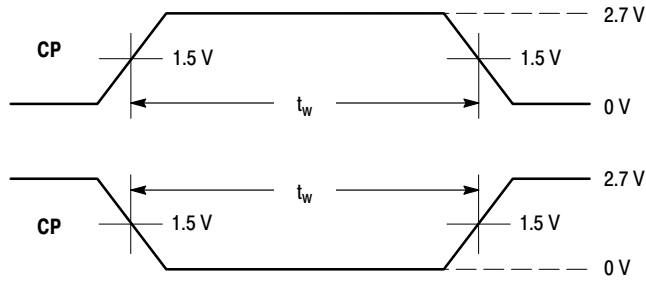
WAVEFORM 1 – PROPAGATION DELAYS, SETUP AND HOLD TIMES

$t_R = t_F = 2.5 \text{ ns}$, 10% to 90%; $f = 1 \text{ MHz}$; $t_W = 500 \text{ ns}$



WAVEFORM 2 – OUTPUT ENABLE AND DISABLE TIMES

$t_R = t_F = 2.5 \text{ ns}$, 10% to 90%; $f = 1 \text{ MHz}$; $t_W = 500 \text{ ns}$



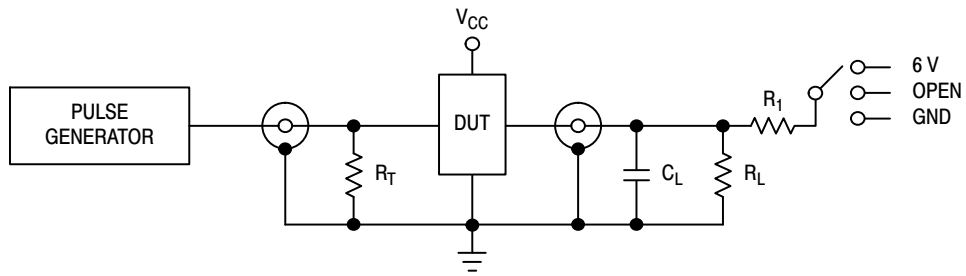
WAVEFORM 3 – PULSE WIDTH

$t_R = t_F = 2.5 \text{ ns}$ (or fast as required) from 10% to 90%;
Output requirements: $V_{OL} \leq 0.8 \text{ V}$, $V_{OH} \geq 2.0 \text{ V}$

Symbol	Vcc		
	3.3 V ± 0.3 V	2.7 V	VCC < 2.7 V
Vmi	1.5 V	1.5 V	VCC/2
Vmo	1.5 V	1.5 V	VCC/2
VHZ	VOL + 0.3 V	VOL + 0.3 V	VOL + 0.15 V
VLZ	VOH - 0.3 V	VOH - 0.3 V	VOH - 0.15 V

Figure 3. AC Waveforms

74LVC374A



Supply Voltage	Input		Load		V _{EXT}		
	V _I	t _p , t _f	C _L	R _L	t _{PLH} , t _{PHL}	t _{PLZ} , t _{PZL}	t _{PHZ} , t _{PZH}
1.2	V _{CC}	≤ 2 ns	30 pF	1 kΩ	Open	2 x V _{CC}	GND
1.65 – 1.95	V _{CC}	≤ 2 ns	30 pF	1 kΩ	Open	2 x V _{CC}	GND
2.3 – 2.7	V _{CC}	≤ 2 ns	30 pF	500 Ω	Open	2 x V _{CC}	GND
2.7	2.7 V	≤ 2.5 ns	50 pF	500 Ω	Open	2 x V _{CC}	GND
3.0 – 3.6	2.7 V	≤ 2.5 ns	50 pF	500 Ω	Open	2 x V _{CC}	GND

Figure 4. Test Circuit

ORDERING INFORMATION

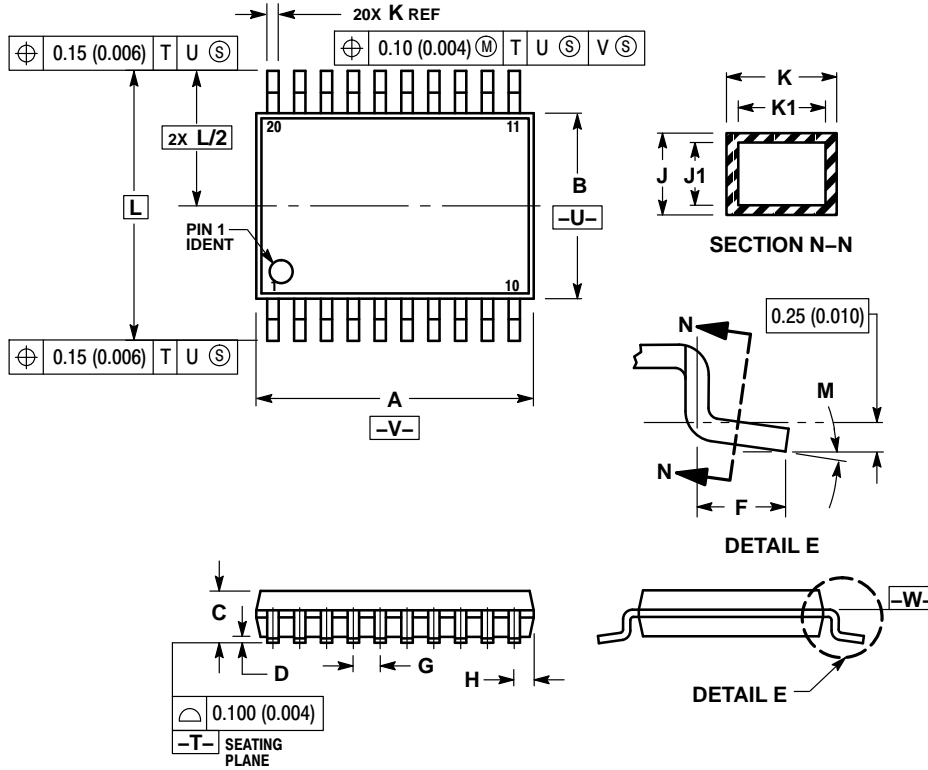
Device	Package	Shipping†
74LVC374ADTR2G	TSSOP-20 (Pb-Free)	2500 / Tape & Reel

†For information on tape and reel specifications, including part orientation and tape sizes, please refer to our Tape and Reel Packaging Specifications Brochure, BRD8011/D.

74LVC374A

PACKAGE DIMENSIONS

TSSOP-20
DT SUFFIX
CASE 948E-02
ISSUE C

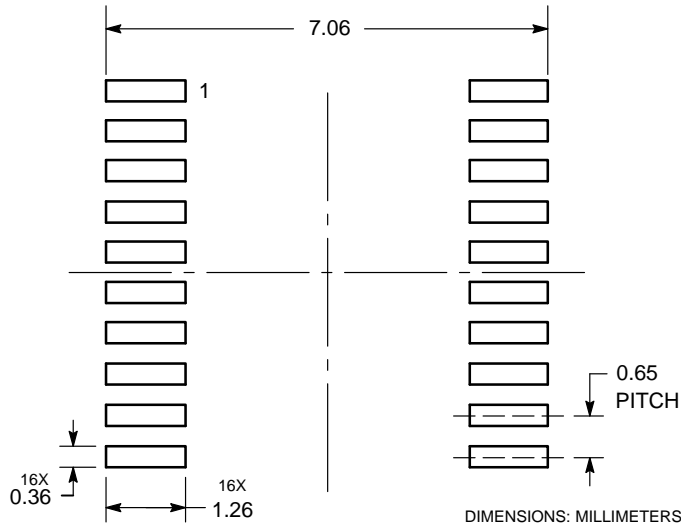


NOTES:

1. DIMENSIONING AND TOLERANCING PER ANSI Y14.5M, 1982.
2. CONTROLLING DIMENSION: MILLIMETER.
3. DIMENSION A DOES NOT INCLUDE MOLD FLASH, PROTRUSIONS OR GATE BURRS. MOLD FLASH OR GATE BURRS SHALL NOT EXCEED 0.15 (0.006) PER SIDE.
4. DIMENSION B DOES NOT INCLUDE INTERLEAD FLASH OR PROTRUSION. INTERLEAD FLASH OR PROTRUSION SHALL NOT EXCEED 0.25 (0.010) PER SIDE.
5. DIMENSION K DOES NOT INCLUDE DAMBAR PROTRUSION. ALLOWABLE DAMBAR PROTRUSION SHALL BE 0.08 (0.003) TOTAL IN EXCESS OF THE K DIMENSION AT MAXIMUM MATERIAL CONDITION.
6. TERMINAL NUMBERS ARE SHOWN FOR REFERENCE ONLY.
7. DIMENSION A AND B ARE TO BE DETERMINED AT DATUM PLANE -W-.

DIM	MILLIMETERS		INCHES	
	MIN	MAX	MIN	MAX
A	6.40	6.60	0.252	0.260
B	4.30	4.50	0.169	0.177
C	---	1.20	---	0.047
D	0.05	0.15	0.002	0.006
F	0.50	0.75	0.020	0.030
G	0.65 BSC		0.026 BSC	
H	0.27	0.37	0.011	0.015
J	0.09	0.20	0.004	0.008
J1	0.09	0.16	0.004	0.006
K	0.19	0.30	0.007	0.012
K1	0.19	0.25	0.007	0.010
L	6.40 BSC		0.252 BSC	
M	0°	8°	0°	8°

SOLDERING FOOTPRINT*



*For additional information on our Pb-Free strategy and soldering details, please download the ON Semiconductor Soldering and Mounting Techniques Reference Manual, SOLDERRM/D.

ON Semiconductor and the  are registered trademarks of Semiconductor Components Industries, LLC (SCILLC) or its subsidiaries in the United States and/or other countries. SCILLC owns the rights to a number of patents, trademarks, copyrights, trade secrets, and other intellectual property. A listing of SCILLC's product/patent coverage may be accessed at www.onsemi.com/site/pdf/Patent-Marking.pdf. SCILLC reserves the right to make changes without further notice to any products herein. SCILLC makes no warranty, representation or guarantee regarding the suitability of its products for any particular purpose, nor does SCILLC assume any liability arising out of the application or use of any product or circuit, and specifically disclaims any and all liability, including without limitation special, consequential or incidental damages. "Typical" parameters which may be provided in SCILLC data sheets and/or specifications can and do vary in different applications and actual performance may vary over time. All operating parameters, including "Typicals" must be validated for each customer application by customer's technical experts. SCILLC does not convey any license under its patent rights nor the rights of others. SCILLC products are not designed, intended, or authorized for use as components in systems intended for surgical implant into the body, or other applications intended to support or sustain life, or for any other application in which the failure of the SCILLC product could create a situation where personal injury or death may occur. Should Buyer purchase or use SCILLC products for any such unintended or unauthorized application, Buyer shall indemnify and hold SCILLC and its officers, employees, subsidiaries, affiliates, and distributors harmless against all claims, costs, damages, and expenses, and reasonable attorney fees arising out of, directly or indirectly, any claim of personal injury or death associated with such unintended or unauthorized use, even if such claim alleges that SCILLC was negligent regarding the design or manufacture of the part. SCILLC is an Equal Opportunity/Affirmative Action Employer. This literature is subject to all applicable copyright laws and is not for resale in any manner.

PUBLICATION ORDERING INFORMATION

LITERATURE FULFILLMENT:

Literature Distribution Center for ON Semiconductor
19521 E. 32nd Pkwy, Aurora, Colorado 80011 USA
Phone: 303-675-2175 or 800-344-3860 Toll Free USA/Canada
Fax: 303-675-2176 or 800-344-3867 Toll Free USA/Canada
Email: orderlit@onsemi.com

N. American Technical Support: 800-282-9855 Toll Free
USA/Canada
Europe, Middle East and Africa Technical Support:
Phone: 421 33 790 2910
Japan Customer Focus Center
Phone: 81-3-5817-1050

ON Semiconductor Website: www.onsemi.com
Order Literature: <http://www.onsemi.com/orderlit>
For additional information, please contact your local
Sales Representative



Стандарт Электрон Связь

Мы молодая и активно развивающаяся компания в области поставок электронных компонентов. Мы поставляем электронные компоненты отечественного и импортного производства напрямую от производителей и с крупнейших складов мира.

Благодаря сотрудничеству с мировыми поставщиками мы осуществляем комплексные и плановые поставки широчайшего спектра электронных компонентов.

Собственная эффективная логистика и склад в обеспечивает надежную поставку продукции в точно указанные сроки по всей России.

Мы осуществляем техническую поддержку нашим клиентам и предпродажную проверку качества продукции. На все поставляемые продукты мы предоставляем гарантию .

Осуществляем поставки продукции под контролем ВП МО РФ на предприятия военно-промышленного комплекса России , а также работаем в рамках 275 ФЗ с открытием отдельных счетов в уполномоченном банке. Система менеджмента качества компании соответствует требованиям ГОСТ ISO 9001.

Минимальные сроки поставки, гибкие цены, неограниченный ассортимент и индивидуальный подход к клиентам являются основой для выстраивания долгосрочного и эффективного сотрудничества с предприятиями радиоэлектронной промышленности, предприятиями ВПК и научно-исследовательскими институтами России.

С нами вы становитесь еще успешнее!

Наши контакты:

Телефон: +7 812 627 14 35

Электронная почта: sales@st-electron.ru

Адрес: 198099, Санкт-Петербург,
Промышленная ул, дом № 19, литера Н,
помещение 100-Н Офис 331