



Is Now Part of



ON Semiconductor®

To learn more about ON Semiconductor, please visit our website at
www.onsemi.com

Please note: As part of the Fairchild Semiconductor integration, some of the Fairchild orderable part numbers will need to change in order to meet ON Semiconductor's system requirements. Since the ON Semiconductor product management systems do not have the ability to manage part nomenclature that utilizes an underscore (_), the underscore (_) in the Fairchild part numbers will be changed to a dash (-). This document may contain device numbers with an underscore (_). Please check the ON Semiconductor website to verify the updated device numbers. The most current and up-to-date ordering information can be found at www.onsemi.com. Please email any questions regarding the system integration to Fairchild_questions@onsemi.com.

ON Semiconductor and the ON Semiconductor logo are trademarks of Semiconductor Components Industries, LLC dba ON Semiconductor or its subsidiaries in the United States and/or other countries. ON Semiconductor owns the rights to a number of patents, trademarks, copyrights, trade secrets, and other intellectual property. A listing of ON Semiconductor's product/patent coverage may be accessed at www.onsemi.com/site/pdf/Patent-Marking.pdf. ON Semiconductor reserves the right to make changes without further notice to any products herein. ON Semiconductor makes no warranty, representation or guarantee regarding the suitability of its products for any particular purpose, nor does ON Semiconductor assume any liability arising out of the application or use of any product or circuit, and specifically disclaims any and all liability, including without limitation special, consequential or incidental damages. Buyer is responsible for its products and applications using ON Semiconductor products, including compliance with all laws, regulations and safety requirements or standards, regardless of any support or applications information provided by ON Semiconductor. "Typical" parameters which may be provided in ON Semiconductor data sheets and/or specifications can and do vary in different applications and actual performance may vary over time. All operating parameters, including "Typicals" must be validated for each customer application by customer's technical experts. ON Semiconductor does not convey any license under its patent rights nor the rights of others. ON Semiconductor products are not designed, intended, or authorized for use as a critical component in life support systems or any FDA Class 3 medical devices or medical devices with a same or similar classification in a foreign jurisdiction or any devices intended for implantation in the human body. Should Buyer purchase or use ON Semiconductor products for any such unintended or unauthorized application, Buyer shall indemnify and hold ON Semiconductor and its officers, employees, subsidiaries, affiliates, and distributors harmless against all claims, costs, damages, and expenses, and reasonable attorney fees arising out of, directly or indirectly, any claim of personal injury or death associated with such unintended or unauthorized use, even if such claim alleges that ON Semiconductor was negligent regarding the design or manufacture of the part. ON Semiconductor is an Equal Opportunity/Affirmative Action Employer. This literature is subject to all applicable copyright laws and is not for resale in any manner.

FXL5T244

Low Voltage Dual Supply 5-Bit Signal Translator with Configurable Voltage Supplies and Signal Levels and 3-STATE Outputs

General Description

The FXL5T244 is a configurable dual-voltage-supply translator designed for one-way (unidirectional) voltage translation of signals between two voltage levels. The device allows translation between voltages as high as 3.6V to as low as 1.1V. A Inputs and the \overline{OE} Control Pin track the V_{CCI} level, and Y Outputs track the V_{CCO} level. Both inputs and outputs are designed to accept supply voltage levels from 1.1V to 3.6V. This allows for unidirectional voltage translation over a variety of voltage levels: 1.2V, 1.5V, 1.8V, 2.5V, and 3.3V.

The device remains in 3-STATE until both V_{CC} s reach active levels allowing either V_{CC} to be powered-up first. The device also contains power down control circuits that place the device in 3-STATE if either V_{CC} is removed. The \overline{OE} input, when HIGH, disables the outputs by placing them in 3-STATE condition.

Features

- One-way (unidirectional) translation between any 2 levels from 1.1V to 3.6V
- Fully configurable, inputs and outputs track respective V_{CC} levels
- Non-preferential power-up sequencing; either V_{CC} may be powered-up first
- Outputs remain in 3-STATE until active V_{CC} level is reached
- Outputs switch to 3-STATE if either V_{CC} is at GND
- Power-off protection
- Control input (\overline{OE}) level is referenced to V_{CCI} voltage
- Packaged in 14-terminal DQFN (2.5mm x 3.0mm) package
- ESD protection exceeds:
 - 4kV HBM ESD (per JESD22-A114 & Mil Std 883e 3015.7)
 - 8kV HBM I/O to GND ESD (per JESD22-A114 & Mil Std 883e 3015.7)
 - 1kV CDM ESD (per ESD STM 5.3)
 - 200V MM ESD (per JESD22-A115 & ESD STM5.2)

Ordering Code:

Order Number	Package Number	Package Description
FXL5T244BQX	MLP014A	14-Terminal Depopulated Quad Very-Thin Flat Pack No Leads (DQFN), JEDEC MO-241, 2.5 x 3.0mm

FXL5T244 Low Voltage Dual Supply 5-Bit Signal Translator with Configurable Voltage Supplies and Signal Levels and 3-STATE Outputs

Terminal Descriptions

Terminal Names	Description
\overline{OE}	Output Enable Input
A_n	Data Inputs
Y_n	3-STATE Outputs
V_{CCI}	Inputs Power Supply
V_{CCO}	Outputs Power Supply
GND	Ground

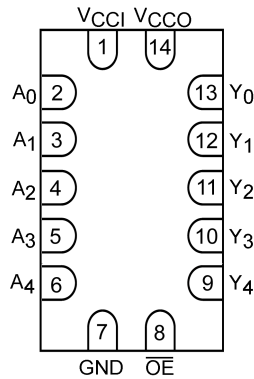
Truth Table

Inputs		Outputs
\overline{OE}	A_n	Y_n
L	L	L
L	H	H
H	X	3-STATE

H = HIGH Voltage Level
 L = LOW Voltage Level
 X = Don't Care

Connection Diagram

Terminal Assignments for DQFN



(Top View)

Terminal Assignment

Terminal Number	Terminal Name
1	V_{CCI}
2	A_0
3	A_1
4	A_2
5	A_3
6	A_4
7	GND
8	\overline{OE}
9	Y_4
10	Y_3
11	Y_2
12	Y_1
13	Y_0
14	V_{CCO}

Power-Up/Power-Down Sequencing

FXL translators offer an advantage in that either V_{CC} may be powered up first. This benefit derives from the chip design. When either V_{CC} is at 0 volts, outputs are in a HIGH-Impedance state. The control input, \overline{OE} , is designed to track the V_{CCI} supply. A pull-up resistor tying \overline{OE} to V_{CCI} should be used to ensure that bus contention, excessive currents, or oscillations do not occur during power-up/power-down. The size of the pull-up resistor is based upon the current-sinking capability of the \overline{OE} driver.

The recommended power-up sequence is the following:

1. Apply power to either V_{CC} .
2. Apply power to the \overline{OE} input (Logic HIGH for A-to-B operation; Logic LOW for B-to-A operation) and to the respective data inputs (A Port or B Port). This may occur at the same time as Step 1.
3. Apply power to other V_{CC} .
4. Drive the \overline{OE} input LOW to enable the device.

The recommended power-down sequence is the following:

1. Drive \overline{OE} input HIGH to disable the device.
2. Remove power from either V_{CC} .
3. Remove power from other V_{CC} .

Absolute Maximum Ratings ^(Note 1)		Recommended Operating Conditions ^(Note 3)	
Supply Voltage		Power Supply Operating (V_{CC1} or V_{CC0})	1.1V to 3.6V
V_{CC1}	-0.5V to +4.6V	Input Voltage	
V_{CC0}	-0.5V to +4.6V	A_n	0.0V to 3.6V
DC Input Voltage (V_I)	-0.5V to +4.6V	Control Inputs (\overline{OE})	0.0V to 3.6V
Output Voltage (V_O) ^(Note 2)		Output Current in I_{OH}/I_{OL}	
Outputs 3-STATE	-0.5V to +4.6V	$V_{CC0} = 3.0V$ to $3.6V$	± 24 mA
Outputs Active	-0.5V to $V_{CC0} + 0.5V$	$V_{CC0} = 2.3V$ to $2.7V$	± 18 mA
DC Input Diode Current (I_{IK}) $V_I < 0V$	-50 mA	$V_{CC0} = 1.65V$ to $1.95V$	± 6 mA
DC Output Diode Current (I_{OK})		$V_{CC0} = 1.4V$ to $1.65V$	± 2 mA
$V_O < 0V$	-50 mA	$V_{CC0} = 1.1V$ to $1.4V$	± 0.5 mA
$V_O > V_{CC}$	+50 mA	Free Air Operating Temperature (T_A)	-40°C to +85°C
DC Output Source/Sink Current (I_{OH}/I_{OL})	-50 mA / +50 mA	Minimum Input Edge Rate ($\Delta V/\Delta t$)	10 ns/V
DC V_{CC} or Ground Current per Supply Pin (I_{CC} or GND)	± 100 mA	$V_{CCA/B} = 1.1V$ to $3.6V$	
Storage Temperature Range (T_{STG})	-65°C to +150°C		

Note 1: The "Absolute Maximum Ratings" are those values beyond which the safety of the device cannot be guaranteed. The device should not be operated at these limits. The parametric values defined in the Electrical Characteristics tables are not guaranteed at the absolute maximum ratings. The "Recommended Operating Conditions" table will define the conditions for actual device operation.

Note 2: I_O Absolute Maximum Rating must be observed.

Note 3: All unused inputs must be held at V_{CC1} or GND.

DC Electrical Characteristics

Symbol	Parameter	Conditions	V_{CC1} (V)	V_{CC0} (V)	Min	Max	Units
V_{IH}	High Level Input Voltage		2.7 - 3.6	1.1 - 3.6	2.0		V
			2.3 - 2.7		1.6		
			1.65 - 2.3		$0.65 \times V_{CC1}$		
			1.4 - 1.65		$0.65 \times V_{CC1}$		
			1.1 - 1.4		$0.9 \times V_{CC1}$		
V_{IL}	Low Level Input Voltage		2.7 - 3.6	1.1 - 3.6		0.8	V
			2.3 - 2.7			0.7	
			1.65 - 2.3			$0.35 \times V_{CC1}$	
			1.4 - 1.65			$0.35 \times V_{CC1}$	
			1.1 - 1.4			$0.1 \times V_{CC1}$	
V_{OH}	High Level Output Voltage	$I_{OH} = -100 \mu A$	1.1 - 3.6	1.1 - 3.6	$V_{CC0} - 0.2$		V
		$I_{OH} = -12$ mA	2.7	2.7	2.2		
		$I_{OH} = -18$ mA	3.0	3.0	2.4		
		$I_{OH} = -24$ mA	3.0	3.0	2.2		
		$I_{OH} = -6$ mA	2.3	2.3	2.0		
		$I_{OH} = -12$ mA	2.3	2.3	1.8		
		$I_{OH} = -18$ mA	2.3	2.3	1.7		
		$I_{OH} = -6$ mA	1.65	1.65	1.25		
		$I_{OH} = -2$ mA	1.4	1.4	1.05		
$I_{OH} = -0.5$ mA	1.1	1.1	$0.75 \times V_{CC0}$				

DC Electrical Characteristics (Continued)

Symbol	Parameter	Conditions	V _{CC1} (V)	V _{CC0} (V)	Min	Max	Units
V _{OL}	Low Level Output Voltage	I _{OL} = 100μA	1.1 - 3.6	1.1 - 3.6		0.2	V
		I _{OL} = 12 mA	2.7	2.7		0.4	
		I _{OL} = 18 mA	3.0	3.0		0.4	
		I _{OL} = 24 mA	3.0	3.0		0.55	
		I _{OL} = 12 mA	2.3	2.3		0.4	
		I _{OL} = 18 mA	2.3	2.3		0.6	
		I _{OL} = 6 mA	1.65	1.65		0.3	
		I _{OL} = 2 mA	1.4	1.4		0.35	
		I _{OL} = 0.5 mA	1.1	1.1		0.3 x V _{CC1}	
I _I	Input Leakage Current	V _I = V _{CC1} or GND	1.1 - 3.6	3.6		±1.0	μA
I _{OFF}	Power Off Leakage Current	A _{nH} , $\overline{OE} = 0V$ to 3.6V	0	3.6		±10.0	μA
		Y _n = 0V to 3.6V	3.6	0		±10.0	
I _{OZ} (Note 4)	3-STATE Output Leakage 0 ≤ V _O ≤ 3.6V V _I = V _{IH} or V _{IL}	$\overline{OE} = V_{IH}$	3.6	3.6		±10.0	μA
		$\overline{OE} = \text{Don't Care}$	0	3.6		+10.0	
		$\overline{OE} = \text{Don't Care}$	3.6	0		+10.0	
I _{CC1/O} (Note 4)	Quiescent Supply Current	V _I = V _{CC1} or GND; I _O = 0	1.1 - 3.6	1.1 - 3.6		20.0	μA
I _{CCZ} (Note 5)	Quiescent Supply Current	V _I = V _{CC1} or GND; I _O = 0	1.1 - 3.6	1.1 - 3.6		20.0	μA
I _{CC1}	Quiescent Supply Current	V _I = V _{CC1} or GND; I _O = 0	0	1.1 - 3.6		-10.0	μA
		V _I = V _{CC1} or GND; I _O = 0	1.1 - 3.6	0		10.0	μA
I _{CC0}	Quiescent Supply Current	V _I = V _{CC0} or GND; I _O = 0	1.1 - 3.6	0		-10.0	μA
		V _I = V _{CC0} or GND; I _O = 0	0	1.1 - 3.6		10.0	μA
ΔI _{CC1/O}	Increase in I _{CC} per Input; Other Inputs at V _{CC} or GND	V _{IH} = 3.0	3.6	3.6		500	μA

Note 4: Don't Care = Any valid logic level.

Note 5: Reflects current per supply, V_{CC1} or V_{CC0}.

AC Electrical Characteristics $V_{CCI} = 3.0V$ to $3.6V$												
Symbol	Parameter	$T_A = -40^{\circ}C$ to $+85^{\circ}C$										Units
		$V_{CC0} = 3.0V$ to $3.6V$		$V_{CC0} = 2.3V$ to $2.7V$		$V_{CC0} = 1.65V$ to $1.95V$		$V_{CC0} = 1.4V$ to $1.6V$		$V_{CC0} = 1.1V$ to $1.3V$		
		Min	Max	Min	Max	Min	Max	Min	Max	Min	Max	
t_{PLH}, t_{PHL}	Propagation Delay A to Y	0.2	3.5	0.3	3.9	0.7	5.4	0.8	6.8	1.4	22.0	ns
t_{PZH}, t_{PZL}	Output Enable \overline{OE} to Y	0.5	4.0	0.7	4.4	1.0	5.9	1.0	6.4	1.5	17.0	ns
t_{PHZ}, t_{PLZ}	Output Disable \overline{OE} to Y	0.2	3.8	0.2	4.0	0.7	4.8	1.5	6.2	2.0	17.0	ns

AC Electrical Characteristics $V_{CCI} = 2.3V$ to $2.7V$												
Symbol	Parameter	$T_A = -40^{\circ}C$ to $+85^{\circ}C$										Units
		$V_{CC0} = 3.0V$ to $3.6V$		$V_{CC0} = 2.3V$ to $2.7V$		$V_{CC0} = 1.65V$ to $1.95V$		$V_{CC0} = 1.4V$ to $1.6V$		$V_{CC0} = 1.1V$ to $1.3V$		
		Min	Max	Min	Max	Min	Max	Min	Max	Min	Max	
t_{PLH}, t_{PHL}	Propagation Delay A to Y	0.2	3.8	0.4	4.2	0.5	5.6	0.8	6.9	1.4	22.0	ns
t_{PZH}, t_{PZL}	Output Enable \overline{OE} to Y	0.6	4.2	0.8	4.6	1.0	6.0	1.0	6.8	1.5	17.0	ns
t_{PHZ}, t_{PLZ}	Output Disable \overline{OE} to Y	0.2	4.1	0.2	4.3	0.7	4.8	1.5	6.7	2.0	17.0	ns

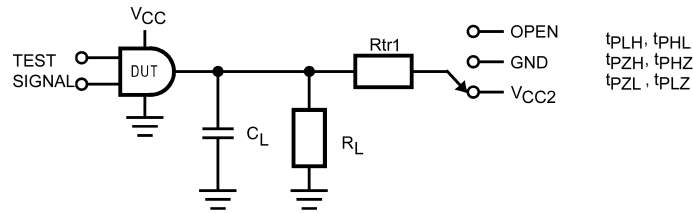
AC Electrical Characteristics $V_{CCI} = 1.65V$ to $1.95V$												
Symbol	Parameter	$T_A = -40^{\circ}C$ to $+85^{\circ}C$										Units
		$V_{CC0} = 3.0V$ to $3.6V$		$V_{CC0} = 2.3V$ to $2.7V$		$V_{CC0} = 1.65V$ to $1.95V$		$V_{CC0} = 1.4V$ to $1.6V$		$V_{CC0} = 1.1V$ to $1.3V$		
		Min	Max	Min	Max	Min	Max	Min	Max	Min	Max	
t_{PLH}, t_{PHL}	Propagation Delay A to Y	0.3	4.0	0.5	4.5	0.8	5.7	0.9	7.1	1.5	22.0	ns
t_{PZH}, t_{PZL}	Output Enable \overline{OE} to Y	0.6	5.2	0.8	5.4	1.2	6.9	1.2	7.2	1.5	18.0	ns
t_{PHZ}, t_{PLZ}	Output Disable \overline{OE} to Y	0.2	5.1	0.2	4.0	0.8	5.2	1.5	7.0	2.0	17.0	ns

AC Electrical Characteristics $V_{CCI} = 1.4V$ to $1.6V$												
Symbol	Parameter	$T_A = -40^{\circ}C$ to $+85^{\circ}C$										Units
		$V_{CC0} = 3.0V$ to $3.6V$		$V_{CC0} = 2.3V$ to $2.7V$		$V_{CC0} = 1.65V$ to $1.95V$		$V_{CC0} = 1.4V$ to $1.6V$		$V_{CC0} = 1.1V$ to $1.3V$		
		Min	Max	Min	Max	Min	Max	Min	Max	Min	Max	
t_{PLH}, t_{PHL}	Propagation Delay A to Y	0.5	4.3	0.5	4.8	1.0	6.0	1.0	7.3	1.5	22.0	ns
t_{PZH}, t_{PZL}	Output Enable \overline{OE} to Y	1.1	7.5	1.1	7.6	1.3	7.7	1.4	7.9	2.0	20.0	ns
t_{PHZ}, t_{PLZ}	Output Disable \overline{OE} to Y	0.4	6.1	0.4	6.2	0.9	6.2	1.5	7.5	2.0	18.0	ns

AC Electrical Characteristics $V_{CCI} = 1.1V$ to $1.3V$												
Symbol	Parameter	$T_A = -40^{\circ}C$ to $+85^{\circ}C$										Units
		$V_{CC0} = 3.0V$ to $3.6V$		$V_{CC0} = 2.3V$ to $2.7V$		$V_{CC0} = 1.65V$ to $1.95V$		$V_{CC0} = 1.4V$ to $1.6V$		$V_{CC0} = 1.1V$ to $1.3V$		
		Min	Max	Min	Max	Min	Max	Min	Max	Min	Max	
t_{PLH}, t_{PHL}	Propagation Delay A to Y	0.8	13.0	1.0	7.0	1.2	8.0	1.3	9.5	2.0	24.0	ns
t_{PZH}, t_{PZL}	Output Enable \overline{OE} to Y	1.0	12.0	1.0	9.0	2.0	10.0	2.0	11.0	2.0	24.0	ns
t_{PHZ}, t_{PLZ}	Output Disable \overline{OE} to Y	1.0	15.0	0.7	7.0	1.0	8.0	2.0	10.0	2.0	20.0	ns

Capacitance				
Symbol	Parameter	Conditions	$T_A = +25^{\circ}C$	Units
			Typical	
C_{IN}	Input Capacitance A_n Control Pin (\overline{OE})	$V_{CCI} = V_{CC0} = 3.3V, V_I = 0V$ or V_{CCI}	4.0	pF
C_{OUT}	Output Capacitance Y_n	$V_{CCI} = V_{CC0} = 3.3V, V_I = 0V$ or V_{CCI}	5.0	pF
C_{PD}	Power Dissipation Capacitance	$V_{CCI} = V_{CC0} = 3.3V, V_I = 0V$ or $V_{CCI}, F = 10$ MHz	20.0	pF

AC Loading and Waveforms

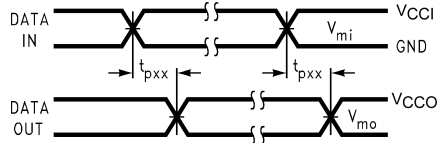


TEST	SWITCH
t_{PLH} , t_{PHL}	OPEN
t_{PZL} , t_{PLZ}	$V_{CC0} \times 2$ at $V_{CC0} = 3.3 \pm 0.3V, 2.5V \pm 0.2V, 1.8V \pm 0.15V, 1.5V \pm 0.1V, 1.2V \pm 0.1V$
t_{PHZ} , t_{PZH}	GND

FIGURE 1. AC Test Circuit

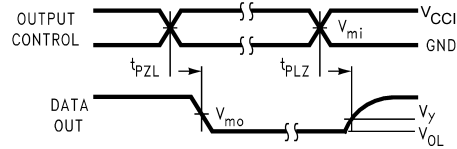
AC Load Table

V _{CC0}	C _L	R _L	R _{tr1}
1.2V ± 0.1V	15 pF	2 kΩ	2 kΩ
1.5V ± 0.1V	15 pF	2 kΩ	2 kΩ
1.8V ± 0.15V	15 pF	2 kΩ	2 kΩ
2.5V ± 0.2V	15 pF	2 kΩ	2 kΩ
3.3V ± 0.3V	15 pF	2 kΩ	2 kΩ



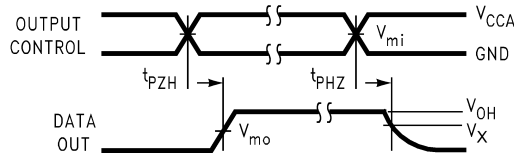
Note: Input $t_R = t_F = 2.0$ ns, 10% to 90%
 Input $t_R = t_F = 2.5$ ns, 10% to 90%, @ $V_I = 3.0V$ to 3.6V only

FIGURE 2. Waveform for Inverting and Non-Inverting Functions



Note: Input $t_R = t_F = 2.0$ ns, 10% to 90%
 Input $t_R = t_F = 2.5$ ns, 10% to 90%, @ $V_I = 3.0V$ to 3.6V only

FIGURE 3. 3-STATE Output Low Enable and Disable Times for Low Voltage Logic



Note: Input $t_R = t_F = 2.0$ ns, 10% to 90%
 Input $t_R = t_F = 2.5$ ns, 10% to 90%, @ $V_I = 3.0V$ to 3.6V only

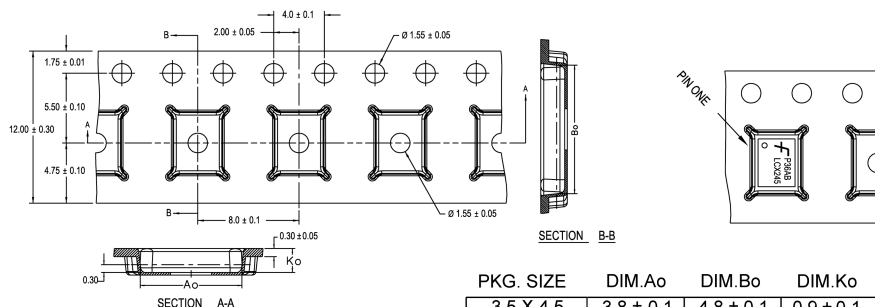
FIGURE 4. 3-STATE Output High Enable and Disable Times for Low Voltage Logic

Symbol	V _{CC}				
	3.3V ± 0.3V	2.5V ± 0.2V	1.8V ± 0.15V	1.5V ± 0.1V	1.2V ± 0.1V
V _{mi}	V _{CCi} /2	V _{CCi} /2	V _{CCi} /2	V _{CCi} /2	V _{CCi} /2
V _{mo}	V _{CC0} /2	V _{CC0} /2	V _{CC0} /2	V _{CC0} /2	V _{CC0} /2
V _X	V _{OH} - 0.3V	V _{OH} - 0.15V	V _{OH} - 0.15V	V _{OH} - 0.1V	V _{OH} - 0.1V
V _Y	V _{OL} + 0.3V	V _{OL} + 0.15V	V _{OL} + 0.15V	V _{OL} + 0.1V	V _{OL} + 0.1V

Note: For V_{mi}: V_{CCi} = V_{CCA} for Control Pins T/R and OE, or V_{CCA}/2

Tape and Reel Specification				
Tape Format for DQFN				
Package Designator	Tape Section	Number Cavities	Cavity Status	Cover Tape Status
BQX	Leader (Start End)	125 (typ)	Empty	Sealed
	Carrier	3000	Filled	Sealed
	Trailer (Hub End)	75 (typ)	Empty	Sealed

TAPE DIMENSIONS inches (millimeters)



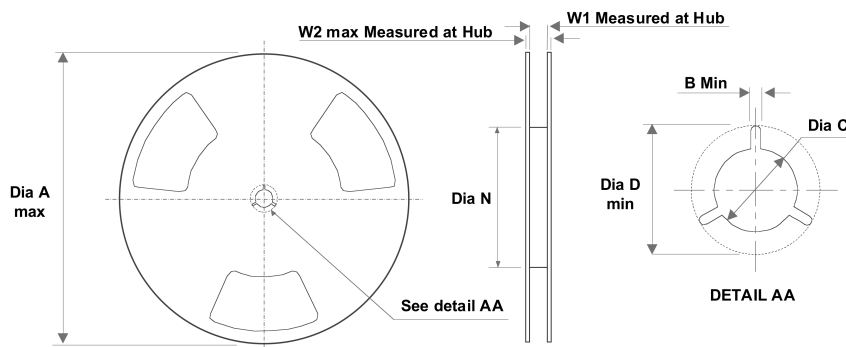
PKG. SIZE	DIM.Ao	DIM.Bo	DIM.Ko
3.5 X 4.5	3.8 ± 0.1	4.8 ± 0.1	0.9 ± 0.1
3.0 X 3.0	3.3 ± 0.1	3.3 ± 0.1	0.9 ± 0.1
2.5 X 4.5	2.8 ± 0.1	4.8 ± 0.1	0.9 ± 0.1
2.5 X 3.5	2.8 ± 0.1	3.8 ± 0.1	0.9 ± 0.1
2.5 X 3.0	2.8 ± 0.1	3.3 ± 0.1	0.9 ± 0.1
2.5 X 2.5	2.8 ± 0.1	2.8 ± 0.1	0.9 ± 0.1

DIMENSIONS ARE IN MILLIMETERS

NOTES: unless otherwise specified

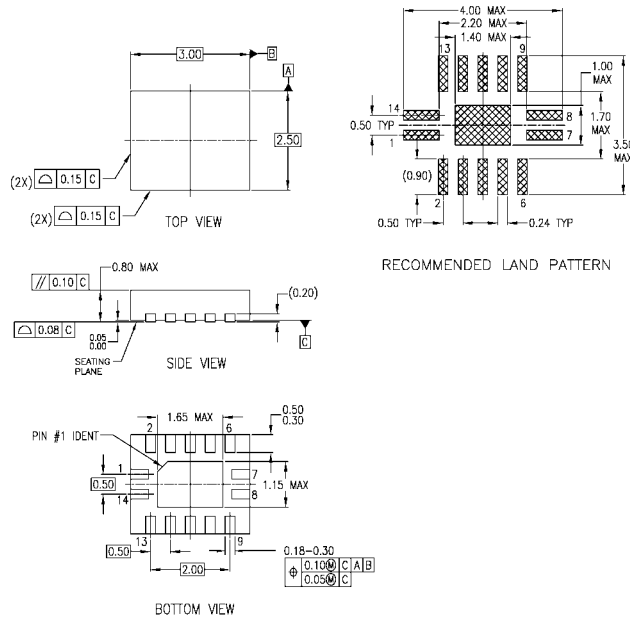
1. Cumulative pitch for feeding holes and cavities (chip pockets) not to exceed 0.008[0.20] over 10 pitch span.
2. Smallest allowable bending radius.
3. Thru hole inside cavity is centered within cavity.
4. Tolerance is ±0.002[0.05] for these dimensions on all 12mm tapes.
5. Ao and Bo measured on a plane 0.120[0.30] above the bottom of the pocket.
6. Ko measured from a plane on the inside bottom of the pocket to the top surface of the carrier.
7. Pocket position relative to sprocket hole measured as true position of pocket. Not pocket hole.
8. Controlling dimension is millimeter. Dimension in inches rounded.

REEL DIMENSIONS inches (millimeters)



Tape Size	A	B	C	D	N	W1	W2
12 mm	13.0 (330.0)	0.059 (1.50)	0.512 (13.00)	0.795 (20.20)	2.165 (55.00)	0.488 (12.4)	0.724 (18.4)

Physical Dimensions inches (millimeters) unless otherwise noted



- NOTES:
- A. CONFORMS TO JEDEC REGISTRATION MO-241, VARIATION AA
 - B. DIMENSIONS ARE IN MILLIMETERS.
 - C. DIMENSIONS AND TOLERANCES PER ASME Y14.5M, 1994

MLP014ArevA

14-Terminal Depopulated Quad Very-Thin Flat Pack No Leads (DQFN), JEDEC MO-241, 2.5 x 3.0mm Package Number MLP014A

Fairchild does not assume any responsibility for use of any circuitry described, no circuit patent licenses are implied and Fairchild reserves the right at any time without notice to change said circuitry and specifications.

LIFE SUPPORT POLICY

FAIRCHILD'S PRODUCTS ARE NOT AUTHORIZED FOR USE AS CRITICAL COMPONENTS IN LIFE SUPPORT DEVICES OR SYSTEMS WITHOUT THE EXPRESS WRITTEN APPROVAL OF THE PRESIDENT OF FAIRCHILD SEMICONDUCTOR CORPORATION. As used herein:

1. Life support devices or systems are devices or systems which, (a) are intended for surgical implant into the body, or (b) support or sustain life, and (c) whose failure to perform when properly used in accordance with instructions for use provided in the labeling, can be reasonably expected to result in a significant injury to the user.
2. A critical component in any component of a life support device or system whose failure to perform can be reasonably expected to cause the failure of the life support device or system, or to affect its safety or effectiveness.

www.fairchildsemi.com

ON Semiconductor and  are trademarks of Semiconductor Components Industries, LLC dba ON Semiconductor or its subsidiaries in the United States and/or other countries. ON Semiconductor owns the rights to a number of patents, trademarks, copyrights, trade secrets, and other intellectual property. A listing of ON Semiconductor's product/patent coverage may be accessed at www.onsemi.com/site/pdf/Patent-Marking.pdf. ON Semiconductor reserves the right to make changes without further notice to any products herein. ON Semiconductor makes no warranty, representation or guarantee regarding the suitability of its products for any particular purpose, nor does ON Semiconductor assume any liability arising out of the application or use of any product or circuit, and specifically disclaims any and all liability, including without limitation special, consequential or incidental damages. Buyer is responsible for its products and applications using ON Semiconductor products, including compliance with all laws, regulations and safety requirements or standards, regardless of any support or applications information provided by ON Semiconductor. "Typical" parameters which may be provided in ON Semiconductor data sheets and/or specifications can and do vary in different applications and actual performance may vary over time. All operating parameters, including "Typicals" must be validated for each customer application by customer's technical experts. ON Semiconductor does not convey any license under its patent rights nor the rights of others. ON Semiconductor products are not designed, intended, or authorized for use as a critical component in life support systems or any FDA Class 3 medical devices or medical devices with a same or similar classification in a foreign jurisdiction or any devices intended for implantation in the human body. Should Buyer purchase or use ON Semiconductor products for any such unintended or unauthorized application, Buyer shall indemnify and hold ON Semiconductor and its officers, employees, subsidiaries, affiliates, and distributors harmless against all claims, costs, damages, and expenses, and reasonable attorney fees arising out of, directly or indirectly, any claim of personal injury or death associated with such unintended or unauthorized use, even if such claim alleges that ON Semiconductor was negligent regarding the design or manufacture of the part. ON Semiconductor is an Equal Opportunity/Affirmative Action Employer. This literature is subject to all applicable copyright laws and is not for resale in any manner.

PUBLICATION ORDERING INFORMATION

LITERATURE FULFILLMENT:

Literature Distribution Center for ON Semiconductor
19521 E. 32nd Pkwy, Aurora, Colorado 80011 USA
Phone: 303-675-2175 or 800-344-3860 Toll Free USA/Canada
Fax: 303-675-2176 or 800-344-3867 Toll Free USA/Canada
Email: orderlit@onsemi.com

N. American Technical Support: 800-282-9855 Toll Free
USA/Canada
Europe, Middle East and Africa Technical Support:
Phone: 421 33 790 2910
Japan Customer Focus Center
Phone: 81-3-5817-1050

ON Semiconductor Website: www.onsemi.com
Order Literature: <http://www.onsemi.com/orderlit>
For additional information, please contact your local
Sales Representative

Mouser Electronics

Authorized Distributor

Click to View Pricing, Inventory, Delivery & Lifecycle Information:

[ON Semiconductor:](#)

[FXL5T244BQX](#)



Стандарт Электрон Связь

Мы молодая и активно развивающаяся компания в области поставок электронных компонентов. Мы поставляем электронные компоненты отечественного и импортного производства напрямую от производителей и с крупнейших складов мира.

Благодаря сотрудничеству с мировыми поставщиками мы осуществляем комплексные и плановые поставки широчайшего спектра электронных компонентов.

Собственная эффективная логистика и склад в обеспечивает надежную поставку продукции в точно указанные сроки по всей России.

Мы осуществляем техническую поддержку нашим клиентам и предпродажную проверку качества продукции. На все поставляемые продукты мы предоставляем гарантию .

Осуществляем поставки продукции под контролем ВП МО РФ на предприятия военно-промышленного комплекса России , а также работаем в рамках 275 ФЗ с открытием отдельных счетов в уполномоченном банке. Система менеджмента качества компании соответствует требованиям ГОСТ ISO 9001.

Минимальные сроки поставки, гибкие цены, неограниченный ассортимент и индивидуальный подход к клиентам являются основой для выстраивания долгосрочного и эффективного сотрудничества с предприятиями радиоэлектронной промышленности, предприятиями ВПК и научно-исследовательскими институтами России.

С нами вы становитесь еще успешнее!

Наши контакты:

Телефон: +7 812 627 14 35

Электронная почта: sales@st-electron.ru

Адрес: 198099, Санкт-Петербург,
Промышленная ул, дом № 19, литера Н,
помещение 100-Н Офис 331