

DATA SHEET

LOW OHMIC CHIP RESISTORS

RL series

5%, 2%, 1%

sizes 0402/0603/0805/1206/

1210/1218/2010/2512

RoHS compliant & Halogen Free



SCOPE

This specification describes RL0402 to RL2512 low ohmic chip resistors with lead-free terminations made by thick film process.

APPLICATIONS

- Converters
- Printer equipment
- Server board
- Telecom
- Consumer
- Car electronics

FEATURES

- AEC-Q200 qualified
- Halogen Free Epoxy
- RoHS compliant
- Hazardous wastes
- High component and equipment reliability
- Saving of PCB space
- Non-forbidden materials used in products/production
- Low resistances applied to current sensing
- MSL Class: MSL 1

ORDERING INFORMATION - GLOBAL PART NUMBER & I2NC

Both part numbers are identified by the series, size, tolerance, packing type, temperature coefficient, taping reel and resistance value.

YAGEO BRAND ordering code

GLOBAL PART NUMBER (PREFERRED)

RL XXXX X X X XX XXXX L
 (1) (2) (3) (4) (5) (6) (7)

(1) SIZE

0402 / 0603 / 0805 / 1206 / 1210 / 1218 / 2010 / 2512

(2) TOLERANCE

F = ±1%
 G = ±2%
 J = ±5%
 "-" = Jumper ordering

(3) PACKAGING TYPE

R = Paper taping reel K = Embossed taping reel

(4) TEMPERATURE COEFFICIENT OF RESISTANCE

- = Based on spec

(5) TAPING REEL

07 = 7 inch dia. Reel and standard power
 10 = 10 inch dia. Reel and standard power
 13 = 13 inch dia. Reel and standard power
 7W = 7 inch dia. Reel and 2 x standard power (0805 and 1206)

(6) RESISTANCE VALUE

There are 2~4 digits indicated the resistor value. Letter R/K/M is decimal point. Detailed coding rules of resistance are shown in the table of "Resistance rule of global part number".

(7) DEFAULT CODE

Letter L is system default code for order only (Note)

| Resistance rule of global part number | |
|---------------------------------------|---|
| Resistance code rule | Example |
| 0RXXX (1 to 976 mΩ) | 0R1 = 0.1 Ω 0R12 = 0.12 Ω 0R105 = 0.105 Ω |
| XRXX (1 to 9.76 Ω) | 1R = 1 Ω 1R5 = 1.5 Ω 9R76 = 9.76 Ω |
| XXRX (10 to 97.6 Ω) | 10R = 10 Ω 97R6 = 97.6 Ω |
| XXXR (100 to 976 Ω) | 100R = 100 Ω |
| XKXX (1 to 9.76 KΩ) | 1K = 1,000 Ω 9K76 = 9760 Ω |
| XMXX (1 to 9.76 MΩ) | 1M = 1,000,000 Ω 9M76 = 9,760,000 Ω |

ORDERING EXAMPLE

The ordering code of a RL0603 chip resistor, value 0.56Ω with ±1% tolerance, supplied in 7-inch tape reel is: RL0603FR-070R56L.

NOTE

1. All our R-Chip products meet RoHS compliant and Halogen Free. "LFP" of the internal 2D reel label mentions "Lead Free Process"
2. On customized label, "LFP" or specific symbol can be printed

PHYCOMP BRAND ordering codes

Both GLOBAL PART NUMBER (preferred) and I2NC (traditional) codes are acceptable to order Phycomp brand products.

GLOBAL PART NUMBER (PREFERRED)

For detailed information of GLOBAL PART NUMBER and ordering example, please refer to page 2.

I2NC CODE

2350 / 2390 / 2322 XXX XXXXX L
 (1) (2) (3) (4)

| SIZE | TYPE | START IN ⁽¹⁾ | TOL. (%) | RESISTANCE RANGE | EMBOSSED ⁽²⁾ | | PAPER/PE ⁽²⁾ |
|------|---------|-------------------------|----------|------------------|-------------------------|----------------------|-------------------------|
| | | | | | TAPE ON REEL | TAPE ON REEL (units) | |
| | | | | | 4,000 | 5,000 | 10,000 |
| 0402 | LRC31 | 2350 | ±5% | 0.05 to 1 Ω | - | - | 513 20xxx |
| | LRC32 | 2350 | ±1% | 0.05 to 1 Ω | - | - | 513 22xxx |
| 0603 | LRC21 | 2350 | ±5% | 0.01 to 1 Ω | - | 512 | 10xxx - |
| | LRC22 | 2350 | ±1% | 0.01 to 1 Ω | - | 512 | 12xxx - |
| 0805 | LRC11 | 2350 | ±5% | 0.01 to 1 Ω | - | 511 | 10xxx - |
| | LRC12 | 2350 | ±1% | 0.01 to 1 Ω | - | 511 | 12xxx - |
| | LRC11P | 2350 | ±1% | 0.01 to 1 Ω | - | 511 | 15xxx - |
| | LRC12P | 2350 | ±5% | 0.01 to 1 Ω | - | 511 | 17xxx - |
| 1206 | LRC01 | 2350 | ±5% | 0.01 to 1 Ω | - | 510 | 10xxx - |
| | LRC02 | 2350 | ±1% | 0.01 to 1 Ω | - | 510 | 12xxx - |
| | LRC01P | 2350 | ±1% | 0.01 to 1 Ω | - | 519 | 01xxx - |
| | LRC02P | 2350 | ±5% | 0.01 to 1 Ω | - | 519 | 1xxxx - |
| 1210 | LPRC101 | 2390 | ±5% | 0.01 to 0.0976 Ω | - | 735 | 90xxx - |
| | LPRC101 | 2390 | ±5% | 0.1 to 1 Ω | - | 735 | 60xxx - |
| | LPRC102 | 2390 | ±1% | 0.01 to 1 Ω | - | 735 | 3xxxx - |
| 1218 | LPRC201 | 2322 | ±5% | 0.01 to 1 Ω | 735 | 64xxx | - |
| | LPRC201 | 2322 | ±1% | 0.01 to 1 Ω | 735 | 7xxxx | - |
| 2010 | LPRC111 | 2322 | ±5% | 0.01 to 0.0976 Ω | 760 | 90xxx | - |
| | LPRC111 | 2322 | ±5% | 0.1 to 1 Ω | 760 | 60xxx | - |
| | LPRC111 | 2322 | ±1% | 0.01 to 0.0976 Ω | 761 | 90xxx | - |
| | LPRC111 | 2322 | ±1% | 0.1 to 1 Ω | 761 | 6xxxx | - |
| 2512 | LPRC221 | 2322 | ±5% | 0.01 to 0.0976 Ω | 762 | 90xxx | - |
| | LPRC221 | 2322 | ±5% | 0.1 to 1 Ω | 762 | 60xxx | - |
| | LPRC221 | 2322 | ±1% | 0.01 to 0.0976 Ω | 763 | 90xxx | - |
| | LPRC221 | 2322 | ±1% | 0.1 to 1 Ω | 763 | 6xxxx | - |

| Resistance decade ⁽³⁾ | Last digit |
|----------------------------------|------------|
| 0.01 to 0.0976Ω | 0 |
| 0.1 to 0.976Ω | 7 |
| 1 to 9.76Ω | 8 |
| 10 to 97.6Ω | 9 |
| 100 to 976Ω | 1 |
| 1 to 9.76 kΩ | 2 |
| 10 to 97.6 kΩ | 3 |
| 100 to 976 kΩ | 4 |
| 1 to 9.76 MΩ | 5 |
| 10 to 97.6 MΩ | 6 |

Example: 0.02Ω = 0200 or 200
 0.3Ω = 3007 or 307
 1Ω = 1008 or 108
 33 kΩ = 3303 or 333
 10 MΩ = 1006 or 106

ORDERING EXAMPLE

The ordering code of a RL0603 chip resistor, value 0.56 Ω with ±1% tolerance, supplied in tape of 5,000 units per reel is: 235051212567L or RL0603FR-070R56L.

NOTE

- All our R-Chip products meet RoHS compliant and Halogen Free. "LFP" of the internal 2D reel label mentions "Lead Free Process"
- On customized label, "LFP" or specific symbol can be printed

- The resistors have a 12-digit ordering code starting with 2350/2390/2322.
- The subsequent 4 or 5 digits indicate the resistor tolerance and packaging. (In I2NC code, only 07" tape reel code is supplied. Supply of 10"/13" tape reel is requested in Global part number ordering code.)
- The remaining 4 or 3 digits represent the resistance value with the last digit indicating the multiplier as shown in the table of "Last digit of I2NC".
- Letter L is system default code for order only ^(Note).

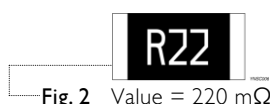
MARKING

RL0402 / RL0603: R<100 mΩ EXCEPT 10/20/30/40/50/60 mΩ



No marking

RL0603: R≥100 mΩ, R = 10/20/30/40/50/60 mΩ



E-24 series / Non-E series (R= 25/40/50/60/250/400/500 mΩ):3 digits
The “R” is used as a decimal point; the other 2 digits are significant.

RL0805 / RL1206 / RL1210 /RL1218 / RL2010 / RL2512



E-24 series / Non-E series (R= 25/40/50/60/250/400/500 mΩ): 4 digits
The “R” is used as a decimal point; the other 3 digits are significant.

For further marking information, please see special data sheet “Chip resistors marking”.

CONSTRUCTION

The resistors are constructed out of a high-grade ceramic body. Internal metal electrodes are added at each end and connected by a resistive paste. The composition of the paste is adjusted to give the approximate required resistance and laser cutting of this resistive layer that achieves tolerance trims the value. The resistive layer is covered with a protective coat and printed with the resistance value. Finally, the two external terminations (matte tin) are added. See fig. 4.

DIMENSIONS

Table I For outlines see fig. 4

| TYPE | L (mm) | W (mm) | H (mm) | l ₁ (mm) | l ₂ (mm) |
|--------|------------|------------|------------|---------------------|---------------------|
| RL0402 | 1.00 ±0.10 | 0.50 ±0.05 | 0.35 ±0.05 | 0.20 ±0.10 | 0.25 ±0.10 |
| RL0603 | 1.60 ±0.10 | 0.80 ±0.10 | 0.45 ±0.10 | 0.25 ±0.15 | 0.25 ±0.15 |
| RL0805 | 2.00 ±0.10 | 1.25 ±0.10 | 0.50 ±0.10 | 0.35 ±0.20 | 0.35 ±0.20 |
| RL1206 | 3.10 ±0.10 | 1.60 ±0.10 | 0.55 ±0.10 | 0.45 ±0.20 | 0.40 ±0.20 |
| RL1210 | 3.10 ±0.10 | 2.60 ±0.15 | 0.55 ±0.10 | 0.50 ±0.20 | 0.50 ±0.20 |
| RL1218 | 3.05 ±0.15 | 4.60 ±0.20 | 0.55 ±0.10 | 0.45 ±0.25 | 0.50 ±0.25 |
| RL2010 | 5.00 ±0.10 | 2.50 ±0.15 | 0.55 ±0.10 | 0.60 ±0.20 | 0.50 ±0.20 |
| RL2512 | 6.35 ±0.10 | 3.20 ±0.15 | 0.55 ±0.10 | 0.60 ±0.20 | 0.50 ±0.20 |

OUTLINES

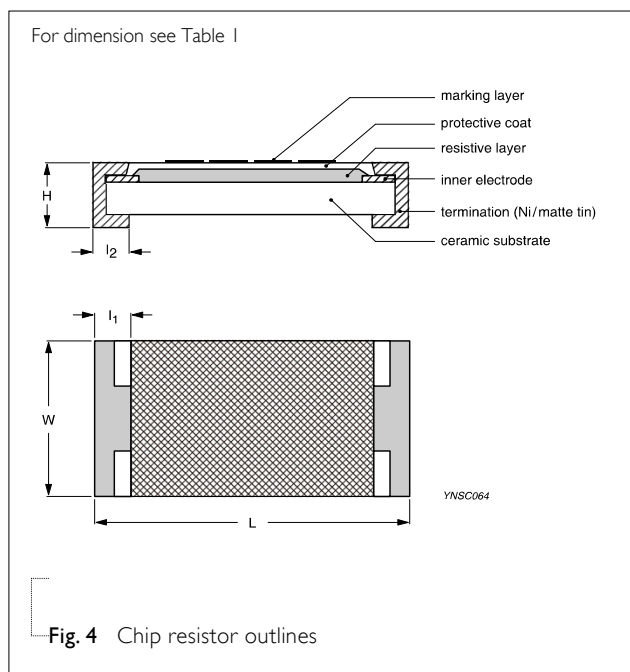


Fig. 4 Chip resistor outlines

ELECTRICAL CHARACTERISTICS

Table 2

| Type | Power P ₇₀ | Operating Temp. range | Resistance range & tolerance | T. C. R. (ppm/°C) | Jumper criteria |
|--------|-----------------------|-----------------------|------------------------------------|---|--|
| RL0402 | 1/16W | | 50mΩ ≤ R < 1Ω | See following table "T.C.R.- RL series" | Max. resistance 20mΩ Rated current 1.5A |
| RL0603 | 1/10W | -55°C to +155°C | 10mΩ ≤ R < 1Ω | | Max. resistance 20mΩ Rated current 2A |
| RL0805 | 1/8W | | 10mΩ ≤ R < 1Ω | | Max. resistance 20mΩ Rated current 2.5A |
| | 1/4W | -55°C to +125°C | 10mΩ ≤ R < 1Ω | | -- -- |
| RL1206 | 1/4W | -55°C to +155°C | 10mΩ ≤ R < 1Ω | | Max. resistance 20mΩ Rated current 3.5A |
| | 1/2W | -55°C to +125°C | E24 ±1%, ±2%, ±5% 10mΩ ≤ R < 1Ω | | -- -- |
| RL1210 | 1/2W | | 10mΩ ≤ R < 1Ω | | -- -- |
| RL1218 | 1W | | 10mΩ ≤ R < 1Ω | | -- -- |
| RL2010 | 3/4W | -55°C to +155°C | 10mΩ ≤ R < 1Ω | | -- -- |
| RL2512 | 1W | | 10mΩ ≤ R < 1Ω | | -- -- |

| TYPE / RESISTANCE RANGE | TEMPERATURE COEFFICIENT OF RESISTANCE | | | | | |
|-------------------------|---------------------------------------|--|-------------------|--|------------------|--|
| RL0402 50mΩ ≤ R < 1Ω | 50mΩ ≤ R < 100mΩ | | 100mΩ ≤ R < 500mΩ | | 500mΩ ≤ R < 1Ω | |
| | ±1000 ppm/°C | | ±800 ppm/°C | | ±300 ppm/°C | |
| RL0603 10mΩ ≤ R < 1Ω | 10mΩ ≤ R ≤ 36mΩ | | 36mΩ < R ≤ 91mΩ | | 91mΩ < R ≤ 500mΩ | |
| | ±1,500 ppm/°C | | ±1,200 ppm/°C | | ±800 ppm/°C | |
| RL0805 | 10mΩ ≤ R ≤ 18mΩ | | 18mΩ < R ≤ 47mΩ | | 47mΩ < R ≤ 91mΩ | |
| | ±1,500 ppm/°C | | ±1,200 ppm/°C | | ±1,000 ppm/°C | |
| | ±600 ppm/°C | | ±300 ppm/°C | | ±200 ppm/°C | |
| RL1206 10mΩ ≤ R < 1Ω | 10mΩ ≤ R ≤ 18mΩ | | 18mΩ < R ≤ 47mΩ | | 47mΩ < R ≤ 91mΩ | |
| | ±1,500 ppm/°C | | ±1,200 ppm/°C | | ±1,000 ppm/°C | |
| RL1210 | ±1,500 ppm/°C | | ±1,000 ppm/°C | | ±800 ppm/°C | |
| RL2010 | ±1,500 ppm/°C | | ±1,200 ppm/°C | | ±1,000 ppm/°C | |
| RL2512 | ±1,500 ppm/°C | | ±1,200 ppm/°C | | ±800 ppm/°C | |
| RL1218 10mΩ ≤ R < 1Ω | 10mΩ ≤ R ≤ 30mΩ | | 30mΩ < R ≤ 56mΩ | | 56mΩ < R ≤ 180mΩ | |
| | ±2,000 ppm/°C | | ±1,000 ppm/°C | | ±700 ppm/°C | |

FOOTPRINT AND SOLDERING PROFILES

For recommended footprint and soldering profiles, please see the special data sheet "Chip resistors mounting".

PACKING STYLE AND PACKAGING QUANTITY

Table 3 Packing style and packaging quantity

| PACKING STYLE | REEL DIMENSION | RL0402 | RL0603 | RL0805 | RL1206 | RL1210 | RL1218 | RL2010 | RL2512 |
|--------------------------|----------------|--------|--------|--------|--------|--------|--------|--------|--------|
| Paper taping reel (R) | 7" (178 mm) | 10,000 | 5,000 | 5,000 | 5,000 | 5,000 | --- | --- | --- |
| | 10" (254 mm) | 20,000 | 10,000 | 10,000 | 10,000 | 10,000 | --- | --- | --- |
| | 13" (330 mm) | 50,000 | 20,000 | 20,000 | 20,000 | 20,000 | --- | --- | --- |
| Embossed taping reel (K) | 7" (178 mm) | --- | --- | --- | --- | --- | 4,000 | 4,000 | 4,000 |

NOTE

I. For paper/embossed tape and reel specification/dimensions, please see the special data sheet "Chip resistors packing".

FUNCTIONAL DESCRIPTION

OPERATING TEMPERATURE RANGE

Normal Power: Range: -55 °C to +155 °C (Fig. 5)

Double Power: Range: -55 °C to +125 °C (Fig. 6)

POWER RATING

Each type rated power at 70 °C:

RL0402=1/16 W;

RL0603=1/10 W;

RL0805=1/8 W, 1/4W;

RL1206=1/4 W, 1/2W;

RL1210=1/2 W;

RL1218=1 W;

RL2010=3/4 W;

RL2512=1 W.

RATED VOLTAGE

The DC or AC (rms) continuous working voltage corresponding to the rated power is determined by the following formula:

$$V = \sqrt{P \times R}$$

Where

V = Continuous rated DC or AC (rms) working voltage (V)

P = Rated power (W)

R = Resistance value (Ω)



Fig. 5 Maximum dissipation (P_{max}) in percentage of rated power as a function of the operating ambient temperature (T_{amb})



Fig. 6 Maximum dissipation (P_{max}) in percentage of rated power as a function of the operating ambient temperature (T_{amb})

TESTS AND REQUIREMENTS
Table 4 Test condition, procedure and requirements

| TEST | TEST METHOD | PROCEDURE | REQUIREMENTS |
|------------------------------|---|---|------------------------------------|
| Life/ Endurance | IEC 60115-1 4.25.1 MIL-STD-202 Method 108A | 1,000 hours at 70±2°C applied RCWV 1.5 hours on, 0.5 hour off, still air required | ±(2% +0.5mΩ) |
| High Temperature Exposure | IEC 60068-2-2 | 1,000 hours at maximum operating temperature depending on specification, unpowered No direct impingement of forced air to the parts Normal power : Tolerances: 155±5°C Double power : Tolerances: 125±5°C | ±(1% +0.5mΩ) |
| Moisture Resistance | MIL-STD-202 Method 106G | Each temperature / humidity cycle is defined at 8 hours, 3 cycles / 24 hours for 10d with 25 °C / 65 °C 95% R.H, without steps 7a & 7b, unpowered Parts mounted on test-boards, without condensation on parts | ±(2% +0.5mΩ) |
| Thermal Shock | MIL-STD-202 Method 107G | -55/+125 °C Number of cycles required is 300. Devices mounted Maximum transfer time is 20 seconds. Dwell time is 15 minutes. | ±(1% +0.5mΩ) |
| Short time overload | IEC60115-1 4.13 | RL standard power: 2.5 times rated voltage for 5 sec at room temperature RL high power: 5 times rated power for 5 sec at room temperature | ±(2% +0.5mΩ) No visible damage |
| Board Flex/ Bending | IEC 60115-1 4.33 | Device mounted on PCB test board as described, only 1 board bending required 3 mm bending Bending time: 60±5 seconds Ohmic value checked during bending | ±(1% +0.5mΩ) No visible damage |

| TEST | TEST METHOD | PROCEDURE | REQUIREMENTS |
|-----------------------------------|------------------|--|---|
| Solderability - Wetting | J-STD-002 test B | Electrical Test not required Magnification 50X SMD conditions: 1 st step: method B, aging 4 hours at 155 °C dry heat 2 nd step: leadfree solder bath at 245±3 °C Dipping time: 3±0.5 seconds | Well tinned (≥95% covered) No visible damage |
| - Leaching | J-STD-002 test D | Leadfree solder, 260 °C, 30 seconds immersion time | No visible damage |
| - Resistance to Soldering Heat | IEC 60115-1 4.18 | Condition B, no pre-heat of samples. Leadfree solder, 260 °C, 10 seconds immersion time Procedure 2 for SMD: devices fluxed and cleaned with isopropanol | ±(1% +0.5mΩ) No visible damage |

REVISION HISTORY

| REVISION | DATE | CHANGE NOTIFICATION | DESCRIPTION |
|-----------|---------------|---------------------|-------------------------------------|
| Version 2 | May 31, 2017 | - | - Add 10" packing |
| Version 1 | Dec. 16, 2015 | - | - Extend 0805 T.C.R. range |
| Version 0 | Nov. 11, 2014 | - | - First issue of this specification |

“Yageo reserves all the rights for revising the content of this datasheet without further notification, as long as the products itself are unchanged. Any product change will be announced by PCN.”

Mouser Electronics

Authorized Distributor

Click to View Pricing, Inventory, Delivery & Lifecycle Information:

Yageo:

[RL1210FR-070R1L](#) [RL0603FR-070R5L](#) [RL1206FR-070R33L](#) [RL1206FR-070R22L](#) [RL1206FR-070R1L](#) [RL1206FR-070R12L](#) [RL1206FR-070R2L](#) [RL1206JR-070R51L](#) [RL0805FR-070R1L](#) [RL0805FR-070R22L](#) [RL0603JR-070R47L](#) [RL0402FR-070R1L](#) [RL0603JR-070R1L](#) [RL1206FR-070R015L](#) [RL1206FR-070R01L](#) [RL0805JR-070R47L](#) [RL0805JR-070R1L](#) [RL0805FR-7W0R1L](#) [RL0805JR-070R22L](#) [RL1210JR-070R1L](#) [RL2512FK-070R05L](#) [RL2512FK-070R01L](#) [RL2512JK-070R2L](#) [RL2512JK-070R47L](#) [RL1206FR-070R02L](#) [RL0805FR-070R2L](#) [RL0402FR-070R499L](#) [RL0603FR-070R499L](#) [RL0603FR-070R27L](#) [RL0603JR-070R22L](#) [RL1206JR-070R15L](#) [RL1206JR-070R1L](#) [RL1206JR-070R47L](#) [RL1210FR-070R02L](#) [RL2512FK-070R1L](#) [RL2512FK-070R33L](#) [RL1210FR-070R82L](#) [RL2512FK-070R015L](#) [RL0805FR-7W0R5L](#) [RL0402FR-070R51L](#) [RL0402JR-070R1L](#) [RL0402JR-070R33L](#) [RL0402FR-070R402L](#) [RL0402FR-070R5L](#) [RL0603FR-070R402L](#) [RL0603FR-070R4L](#) [RL1206FR-070R4L](#) [RL1206FR-070R5L](#) [RL1210FR-070R2L](#) [RL1210FR-070R5L](#) [RL1206JR-070R051L](#) [RL1206JR-070R05L](#) [RL1206JR-070R12L](#) [RL1206JR-070R18L](#) [RL1206JR-070R24L](#) [RL1206JR-070R2L](#) [RL1218FK-070R33L](#) [RL2010FK-070R01L](#) [RL0805FR-070R05L](#) [RL0805FR-070R33L](#) [RL1218FK-070R22L](#) [RL0805FR-070R27L](#) [RL1206FR-070R15L](#) [RL2512JK-070R1L](#) [RL2512FK-070R22L](#) [RL0805FR-070R5L](#) [RL0402FR-070R33L](#) [RL1206FR-070R068L](#) [RL1206JR-070R39L](#) [RL1206JR-070R27L](#) [RL1206JR-070R22L](#) [RL1206FR-070R75L](#) [RL1206FR-070R56L](#) [RL0603FR-070R82L](#) [RL0805FR-070R47L](#) [RL0603FR-070R47L](#) [RL0603FR-070R33L](#) [RL0603FR-070R22L](#) [RL0603FR-070R1L](#) [RL1206FR-070R033L](#) [RL1206FR-070R03L](#) [RL0805FR-070R12L](#) [RL1218JK-070R068L](#) [RL1218JK-070R02L](#) [RL1218JK-070R015L](#) [RL1218JK-070R01L](#) [RL1218FK-070R1L](#) [RL2512FK-070R018L](#) [RL2512FK-070R047L](#) [RL2512FK-070R04L](#) [RL2512FK-070R039L](#) [RL2512FK-070R033L](#) [RL2512FK-070R027L](#) [RL2512FK-070R02L](#) [RL2512FK-070R022L](#) [RL2512FK-070R39L](#) [RL2512FK-070R2L](#) [RL2512FK-070R15L](#) [RL2512FK-070R68L](#) [RL2010JK-070R47L](#)



Стандарт Электрон Связь

Мы молодая и активно развивающаяся компания в области поставок электронных компонентов. Мы поставляем электронные компоненты отечественного и импортного производства напрямую от производителей и с крупнейших складов мира.

Благодаря сотрудничеству с мировыми поставщиками мы осуществляем комплексные и плановые поставки широчайшего спектра электронных компонентов.

Собственная эффективная логистика и склад в обеспечивает надежную поставку продукции в точно указанные сроки по всей России.

Мы осуществляем техническую поддержку нашим клиентам и предпродажную проверку качества продукции. На все поставляемые продукты мы предоставляем гарантию .

Осуществляем поставки продукции под контролем ВП МО РФ на предприятия военно-промышленного комплекса России , а также работаем в рамках 275 ФЗ с открытием отдельных счетов в уполномоченном банке. Система менеджмента качества компании соответствует требованиям ГОСТ ISO 9001.

Минимальные сроки поставки, гибкие цены, неограниченный ассортимент и индивидуальный подход к клиентам являются основой для выстраивания долгосрочного и эффективного сотрудничества с предприятиями радиоэлектронной промышленности, предприятиями ВПК и научно-исследовательскими институтами России.

С нами вы становитесь еще успешнее!

Наши контакты:

Телефон: +7 812 627 14 35

Электронная почта: sales@st-electron.ru

Адрес: 198099, Санкт-Петербург,
Промышленная ул, дом № 19, литера Н,
помещение 100-Н Офис 331