

# DATA SHEET

## LOW OHMIC CHIP RESISTORS

RL series

5%, 2%, 1%

sizes 0402/0603/0805/1206/

1210/1218/2010/2512

RoHS compliant & Halogen Free



**SCOPE**

This specification describes RL0402 to RL2512 low ohmic chip resistors with lead-free terminations made by thick film process.

**APPLICATIONS**

- Converters
- Printer equipment
- Server board
- Telecom
- Consumer
- Car electronics

**FEATURES**

- AEC-Q200 qualified
- Halogen Free Epoxy
- RoHS compliant
- Hazardous wastes
- High component and equipment reliability
- Saving of PCB space
- Non-forbidden materials used in products/production
- Low resistances applied to current sensing
- MSL Class: MSL 1

**ORDERING INFORMATION - GLOBAL PART NUMBER & I2NC**

Both part numbers are identified by the series, size, tolerance, packing type, temperature coefficient, taping reel and resistance value.

**YAGEO BRAND ordering code**

**GLOBAL PART NUMBER (PREFERRED)**

**RL XXXX X X X XX XXXX L**  
 (1) (2) (3) (4) (5) (6) (7)

**(1) SIZE**

0402 / 0603 / 0805 / 1206 / 1210 / 1218 / 2010 / 2512

**(2) TOLERANCE**

F = ±1%  
 G = ±2%  
 J = ±5%  
 "-" = Jumper ordering

**(3) PACKAGING TYPE**

R = Paper taping reel                      K = Embossed taping reel

**(4) TEMPERATURE COEFFICIENT OF RESISTANCE**

- = Based on spec

**(5) TAPING REEL**

07 = 7 inch dia. Reel and standard power  
 10 = 10 inch dia. Reel and standard power  
 13 = 13 inch dia. Reel and standard power  
 7W = 7 inch dia. Reel and 2 x standard power (0805 and 1206)

**(6) RESISTANCE VALUE**

There are 2~4 digits indicated the resistor value. Letter R/K/M is decimal point. Detailed coding rules of resistance are shown in the table of "Resistance rule of global part number".

**(7) DEFAULT CODE**

Letter L is system default code for order only (Note)

Resistance rule of global part number	
Resistance code rule	Example
0RXXX (1 to 976 mΩ)	0R1 = 0.1 Ω 0R12 = 0.12 Ω 0R105 = 0.105 Ω
XRXX (1 to 9.76 Ω)	1R = 1 Ω 1R5 = 1.5 Ω 9R76 = 9.76 Ω
XXRX (10 to 97.6 Ω)	10R = 10 Ω 97R6 = 97.6 Ω
XXXR (100 to 976 Ω)	100R = 100 Ω
XKXX (1 to 9.76 KΩ)	1K = 1,000 Ω 9K76 = 9760 Ω
XMXX (1 to 9.76 MΩ)	1M = 1,000,000 Ω 9M76 = 9,760,000 Ω

**ORDERING EXAMPLE**

The ordering code of a RL0603 chip resistor, value 0.56Ω with ±1% tolerance, supplied in 7-inch tape reel is: RL0603FR-070R56L.

**NOTE**

1. All our R-Chip products meet RoHS compliant and Halogen Free. "LFP" of the internal 2D reel label mentions "Lead Free Process"
2. On customized label, "LFP" or specific symbol can be printed

**PHYCOMP BRAND ordering codes**

Both GLOBAL PART NUMBER (preferred) and I2NC (traditional) codes are acceptable to order Phycomp brand products.

**GLOBAL PART NUMBER (PREFERRED)**

For detailed information of GLOBAL PART NUMBER and ordering example, please refer to page 2.

**I2NC CODE**

**2350 / 2390 / 2322** XXX XXXXX **L**  
 (1) (2) (3) (4)

SIZE	TYPE	START IN <sup>(1)</sup>	TOL. (%)	RESISTANCE RANGE	EMBOSSED <sup>(2)</sup> TAPE ON REEL		PAPER/PE <sup>(2)</sup> TAPE ON REEL (units)
					4,000	5,000	
0402	LRC31	2350	±5%	0.05 to 1 Ω	-	-	513 20xxx
	LRC32	2350	±1%	0.05 to 1 Ω	-	-	513 22xxx
0603	LRC21	2350	±5%	0.01 to 1 Ω	-	512	10xxx -
	LRC22	2350	±1%	0.01 to 1 Ω	-	512	12xxx -
0805	LRC11	2350	±5%	0.01 to 1 Ω	-	511	10xxx -
	LRC12	2350	±1%	0.01 to 1 Ω	-	511	12xxx -
	LRC11P	2350	±1%	0.01 to 1 Ω	-	511	15xxx -
	LRC12P	2350	±5%	0.01 to 1 Ω	-	511	17xxx -
1206	LRC01	2350	±5%	0.01 to 1 Ω	-	510	10xxx -
	LRC02	2350	±1%	0.01 to 1 Ω	-	510	12xxx -
	LRC01P	2350	±1%	0.01 to 1 Ω	-	519	01xxx -
	LRC02P	2350	±5%	0.01 to 1 Ω	-	519	1xxxx -
1210	LPRC101	2390	±5%	0.01 to 0.0976 Ω	-	735	90xxx -
	LPRC101	2390	±5%	0.1 to 1 Ω	-	735	60xxx -
	LPRC102	2390	±1%	0.01 to 1 Ω	-	735	3xxxx -
1218	LPRC201	2322	±5%	0.01 to 1 Ω	735	64xxx	-
	LPRC201	2322	±1%	0.01 to 1 Ω	735	7xxxx	-
2010	LPRC111	2322	±5%	0.01 to 0.0976 Ω	760	90xxx	-
	LPRC111	2322	±5%	0.1 to 1 Ω	760	60xxx	-
	LPRC111	2322	±1%	0.01 to 0.0976 Ω	761	90xxx	-
	LPRC111	2322	±1%	0.1 to 1 Ω	761	6xxxx	-
2512	LPRC221	2322	±5%	0.01 to 0.0976 Ω	762	90xxx	-
	LPRC221	2322	±5%	0.1 to 1 Ω	762	60xxx	-
	LPRC221	2322	±1%	0.01 to 0.0976 Ω	763	90xxx	-
	LPRC221	2322	±1%	0.1 to 1 Ω	763	6xxxx	-

Resistance decade <sup>(3)</sup>	Last digit
0.01 to 0.0976Ω	0
0.1 to 0.976Ω	7
1 to 9.76Ω	8
10 to 97.6Ω	9
100 to 976Ω	1
1 to 9.76 kΩ	2
10 to 97.6 kΩ	3
100 to 976 kΩ	4
1 to 9.76 MΩ	5
10 to 97.6 MΩ	6

Example: 0.02Ω = 0200 or 200  
 0.3Ω = 3007 or 307  
 1Ω = 1008 or 108  
 33 kΩ = 3303 or 333  
 10 MΩ = 1006 or 106

**ORDERING EXAMPLE**

The ordering code of a RL0603 chip resistor, value 0.56 Ω with ±1% tolerance, supplied in tape of 5,000 units per reel is: 235051212567L or RL0603FR-070R56L.

**NOTE**

- All our R-Chip products meet RoHS compliant and Halogen Free. "LFP" of the internal 2D reel label mentions "Lead Free Process"
- On customized label, "LFP" or specific symbol can be printed

- The resistors have a 12-digit ordering code starting with 2350/2390/2322.
- The subsequent 4 or 5 digits indicate the resistor tolerance and packaging. (In I2NC code, only 07" tape reel code is supplied. Supply of 10"/13" tape reel is requested in Global part number ordering code.)
- The remaining 4 or 3 digits represent the resistance value with the last digit indicating the multiplier as shown in the table of "Last digit of I2NC".
- Letter L is system default code for order only <sup>(Note)</sup>.

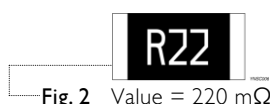
**MARKING**

**RL0402 / RL0603: R<100 mΩ EXCEPT 10/20/30/40/50/60 mΩ**



No marking

**RL0603: R≥100 mΩ, R = 10/20/30/40/50/60 mΩ**



E-24 series / Non-E series (R= 25/40/50/60/250/400/500 mΩ):3 digits  
The “R” is used as a decimal point; the other 2 digits are significant.

**RL0805 / RL1206 / RL1210 /RL1218 / RL2010 / RL2512**



E-24 series / Non-E series (R= 25/40/50/60/250/400/500 mΩ): 4 digits  
The “R” is used as a decimal point; the other 3 digits are significant.

For further marking information, please see special data sheet “Chip resistors marking”.

**CONSTRUCTION**

The resistors are constructed out of a high-grade ceramic body. Internal metal electrodes are added at each end and connected by a resistive paste. The composition of the paste is adjusted to give the approximate required resistance and laser cutting of this resistive layer that achieves tolerance trims the value. The resistive layer is covered with a protective coat and printed with the resistance value. Finally, the two external terminations (matte tin) are added. See fig. 4.

**DIMENSIONS**

Table I For outlines see fig. 4

TYPE	L (mm)	W (mm)	H (mm)	l <sub>1</sub> (mm)	l <sub>2</sub> (mm)
RL0402	1.00 ±0.10	0.50 ±0.05	0.35 ±0.05	0.20 ±0.10	0.25 ±0.10
RL0603	1.60 ±0.10	0.80 ±0.10	0.45 ±0.10	0.25 ±0.15	0.25 ±0.15
RL0805	2.00 ±0.10	1.25 ±0.10	0.50 ±0.10	0.35 ±0.20	0.35 ±0.20
RL1206	3.10 ±0.10	1.60 ±0.10	0.55 ±0.10	0.45 ±0.20	0.40 ±0.20
RL1210	3.10 ±0.10	2.60 ±0.15	0.55 ±0.10	0.50 ±0.20	0.50 ±0.20
RL1218	3.05 ±0.15	4.60 ±0.20	0.55 ±0.10	0.45 ±0.25	0.50 ±0.25
RL2010	5.00 ±0.10	2.50 ±0.15	0.55 ±0.10	0.60 ±0.20	0.50 ±0.20
RL2512	6.35 ±0.10	3.20 ±0.15	0.55 ±0.10	0.60 ±0.20	0.50 ±0.20

**OUTLINES**

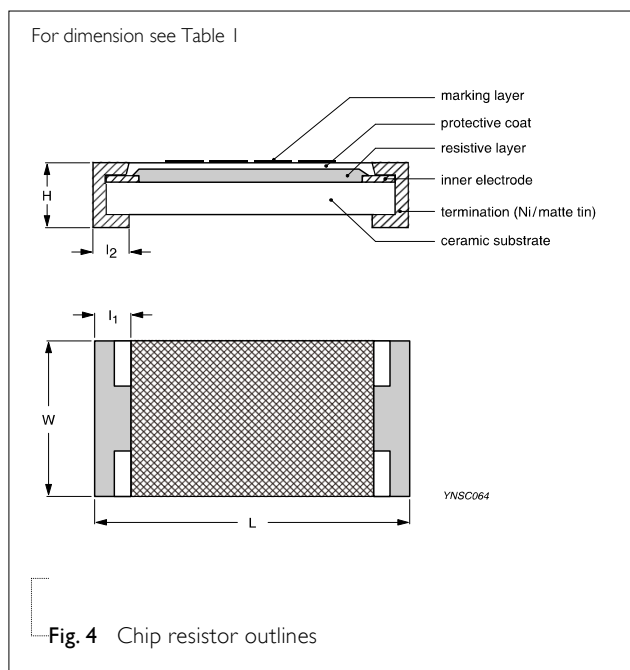


Fig. 4 Chip resistor outlines

**ELECTRICAL CHARACTERISTICS**

Table 2

Type	Power P <sub>70</sub>	Operating Temp. range	Resistance range & tolerance	T. C. R. (ppm/°C)	Jumper criteria
RL0402	1/16W		50mΩ ≤ R < 1Ω	See following table "T.C.R.- RL series"	Max. resistance 20mΩ Rated current 1.5A
RL0603	1/10W	-55°C to +155°C	10mΩ ≤ R < 1Ω		Max. resistance 20mΩ Rated current 2A
RL0805	1/8W		10mΩ ≤ R < 1Ω		Max. resistance 20mΩ Rated current 2.5A
	1/4W	-55°C to +125°C	10mΩ ≤ R < 1Ω		-- --
RL1206	1/4W	-55°C to +155°C	10mΩ ≤ R < 1Ω		Max. resistance 20mΩ Rated current 3.5A
	1/2W	-55°C to +125°C	E24 ±1%, ±2%, ±5% 10mΩ ≤ R < 1Ω		-- --
RL1210	1/2W		10mΩ ≤ R < 1Ω		-- --
RL1218	1W		10mΩ ≤ R < 1Ω		-- --
RL2010	3/4W	-55°C to +155°C	10mΩ ≤ R < 1Ω		-- --
RL2512	1W		10mΩ ≤ R < 1Ω		-- --

TYPE / RESISTANCE RANGE	TEMPERATURE COEFFICIENT OF RESISTANCE					
RL0402 50mΩ ≤ R < 1Ω	50mΩ ≤ R < 100mΩ		100mΩ ≤ R < 500mΩ		500mΩ ≤ R < 1Ω	
	±1000 ppm/°C		±800 ppm/°C		±300 ppm/°C	
RL0603 10mΩ ≤ R < 1Ω	10mΩ ≤ R ≤ 36mΩ		36mΩ < R ≤ 91mΩ		91mΩ < R ≤ 500mΩ	
	±1,500 ppm/°C		±1,200 ppm/°C		±800 ppm/°C	
RL0805	10mΩ ≤ R ≤ 18mΩ		18mΩ < R ≤ 47mΩ		47mΩ < R ≤ 91mΩ	
	±1,500 ppm/°C		±1,200 ppm/°C		±1,000 ppm/°C	
	±600 ppm/°C		±300 ppm/°C		±200 ppm/°C	
RL1206 10mΩ ≤ R < 1Ω	10mΩ ≤ R ≤ 18mΩ		18mΩ < R ≤ 47mΩ		47mΩ < R ≤ 91mΩ	
	±1,500 ppm/°C		±1,200 ppm/°C		±1,000 ppm/°C	
RL1210	±1,500 ppm/°C		±1,000 ppm/°C		±800 ppm/°C	
RL2010	±1,500 ppm/°C		±1,200 ppm/°C		±1,000 ppm/°C	
RL2512	±1,500 ppm/°C		±1,200 ppm/°C		±800 ppm/°C	
RL1218 10mΩ ≤ R < 1Ω	10mΩ ≤ R ≤ 30mΩ		30mΩ < R ≤ 56mΩ		56mΩ < R ≤ 180mΩ	
	±2,000 ppm/°C		±1,000 ppm/°C		±700 ppm/°C	

**FOOTPRINT AND SOLDERING PROFILES**

For recommended footprint and soldering profiles, please see the special data sheet "Chip resistors mounting".

**PACKING STYLE AND PACKAGING QUANTITY**

Table 3 Packing style and packaging quantity

PACKING STYLE	REEL DIMENSION	RL0402	RL0603	RL0805	RL1206	RL1210	RL1218	RL2010	RL2512
Paper taping reel (R)	7" (178 mm)	10,000	5,000	5,000	5,000	5,000	---	---	---
	10" (254 mm)	20,000	10,000	10,000	10,000	10,000	---	---	---
	13" (330 mm)	50,000	20,000	20,000	20,000	20,000	---	---	---
Embossed taping reel (K)	7" (178 mm)	---	---	---	---	---	4,000	4,000	4,000

**NOTE**

I. For paper/embossed tape and reel specification/dimensions, please see the special data sheet "Chip resistors packing".

**FUNCTIONAL DESCRIPTION**

**OPERATING TEMPERATURE RANGE**

Normal Power: Range: -55 °C to +155 °C (Fig. 5)

Double Power: Range: -55 °C to +125 °C (Fig. 6)

**POWER RATING**

Each type rated power at 70 °C:

RL0402=1/16 W;

RL0603=1/10 W;

RL0805=1/8 W, 1/4W;

RL1206=1/4 W, 1/2W;

RL1210=1/2 W;

RL1218=1 W;

RL2010=3/4 W;

RL2512=1 W.

**RATED VOLTAGE**

The DC or AC (rms) continuous working voltage corresponding to the rated power is determined by the following formula:

$$V = \sqrt{P \times R}$$

Where

V = Continuous rated DC or AC (rms) working voltage (V)

P = Rated power (W)

R = Resistance value (Ω)



Fig. 5 Maximum dissipation (P<sub>max</sub>) in percentage of rated power as a function of the operating ambient temperature (T<sub>amb</sub>)



Fig. 6 Maximum dissipation (P<sub>max</sub>) in percentage of rated power as a function of the operating ambient temperature (T<sub>amb</sub>)

**TESTS AND REQUIREMENTS**
**Table 4** Test condition, procedure and requirements

TEST	TEST METHOD	PROCEDURE	REQUIREMENTS
Life/ Endurance	IEC 60115-1 4.25.1 MIL-STD-202 Method 108A	1,000 hours at 70±2°C applied RCWV 1.5 hours on, 0.5 hour off, still air required	±(2% +0.5mΩ )
High Temperature Exposure	IEC 60068-2-2	1,000 hours at maximum operating temperature depending on specification, unpowered  No direct impingement of forced air to the parts  Normal power : Tolerances: 155±5°C Double power : Tolerances: 125±5°C	±(1% +0.5mΩ )
Moisture Resistance	MIL-STD-202 Method 106G	Each temperature / humidity cycle is defined at 8 hours, 3 cycles / 24 hours for 10d with 25 °C / 65 °C 95% R.H, without steps 7a & 7b, unpowered  Parts mounted on test-boards, without condensation on parts	±(2% +0.5mΩ )
Thermal Shock	MIL-STD-202 Method 107G	-55/+125 °C  Number of cycles required is 300. Devices mounted  Maximum transfer time is 20 seconds. Dwell time is 15 minutes.	±(1% +0.5mΩ )
Short time overload	IEC60115-1 4.13	RL standard power: 2.5 times rated voltage for 5 sec at room temperature  RL high power: 5 times rated power for 5 sec at room temperature	±(2% +0.5mΩ ) No visible damage
Board Flex/ Bending	IEC 60115-1 4.33	Device mounted on PCB test board as described, only 1 board bending required  3 mm bending  Bending time: 60±5 seconds  Ohmic value checked during bending	±(1% +0.5mΩ ) No visible damage

TEST	TEST METHOD	PROCEDURE	REQUIREMENTS
Solderability - Wetting	J-STD-002 test B	Electrical Test not required Magnification 50X SMD conditions: 1 <sup>st</sup> step: method B, aging 4 hours at 155 °C dry heat 2 <sup>nd</sup> step: leadfree solder bath at 245±3 °C Dipping time: 3±0.5 seconds	Well tinned (≥95% covered) No visible damage
- Leaching	J-STD-002 test D	Leadfree solder, 260 °C, 30 seconds immersion time	No visible damage
- Resistance to Soldering Heat	IEC 60115-1 4.18	Condition B, no pre-heat of samples. Leadfree solder, 260 °C, 10 seconds immersion time Procedure 2 for SMD: devices fluxed and cleaned with isopropanol	±(1% +0.5mΩ) No visible damage



REVISION HISTORY

REVISION	DATE	CHANGE NOTIFICATION	DESCRIPTION
Version 2	May 31, 2017	-	- Add 10" packing
Version 1	Dec. 16, 2015	-	- Extend 0805 T.C.R. range
Version 0	Nov. 11, 2014	-	- First issue of this specification

*“Yageo reserves all the rights for revising the content of this datasheet without further notification, as long as the products itself are unchanged. Any product change will be announced by PCN.”*

# Mouser Electronics

Authorized Distributor

Click to View Pricing, Inventory, Delivery & Lifecycle Information:

## Yageo:

[RL1210FR-070R1L](#) [RL0603FR-070R5L](#) [RL1206FR-070R33L](#) [RL1206FR-070R22L](#) [RL1206FR-070R1L](#) [RL1206FR-070R12L](#) [RL1206FR-070R2L](#) [RL1206JR-070R51L](#) [RL0805FR-070R1L](#) [RL0805FR-070R22L](#) [RL0603JR-070R47L](#) [RL0402FR-070R1L](#) [RL0603JR-070R1L](#) [RL1206FR-070R015L](#) [RL1206FR-070R01L](#) [RL0805JR-070R47L](#) [RL0805JR-070R1L](#) [RL0805FR-7W0R1L](#) [RL0805JR-070R22L](#) [RL1210JR-070R1L](#) [RL2512FK-070R05L](#) [RL2512FK-070R01L](#) [RL2512JK-070R2L](#) [RL2512JK-070R47L](#) [RL1206FR-070R02L](#) [RL0805FR-070R2L](#) [RL0402FR-070R499L](#) [RL0603FR-070R499L](#) [RL0603FR-070R27L](#) [RL0603JR-070R22L](#) [RL1206JR-070R15L](#) [RL1206JR-070R1L](#) [RL1206JR-070R47L](#) [RL1210FR-070R02L](#) [RL2512FK-070R1L](#) [RL2512FK-070R33L](#) [RL1210FR-070R82L](#) [RL2512FK-070R015L](#) [RL0805FR-7W0R5L](#) [RL0402FR-070R51L](#) [RL0402JR-070R1L](#) [RL0402JR-070R33L](#) [RL0402FR-070R402L](#) [RL0402FR-070R5L](#) [RL0603FR-070R402L](#) [RL0603FR-070R4L](#) [RL1206FR-070R4L](#) [RL1206FR-070R5L](#) [RL1210FR-070R2L](#) [RL1210FR-070R5L](#) [RL1206JR-070R051L](#) [RL1206JR-070R05L](#) [RL1206JR-070R12L](#) [RL1206JR-070R18L](#) [RL1206JR-070R24L](#) [RL1206JR-070R2L](#) [RL1218FK-070R33L](#) [RL2010FK-070R01L](#) [RL0805FR-070R05L](#) [RL0805FR-070R33L](#) [RL1218FK-070R22L](#) [RL0805FR-070R27L](#) [RL1206FR-070R15L](#) [RL2512JK-070R1L](#) [RL2512FK-070R22L](#) [RL0805FR-070R5L](#) [RL0402FR-070R33L](#) [RL1206FR-070R068L](#) [RL1206JR-070R39L](#) [RL1206JR-070R27L](#) [RL1206JR-070R22L](#) [RL1206FR-070R75L](#) [RL1206FR-070R56L](#) [RL0603FR-070R82L](#) [RL0805FR-070R47L](#) [RL0603FR-070R47L](#) [RL0603FR-070R33L](#) [RL0603FR-070R22L](#) [RL0603FR-070R1L](#) [RL1206FR-070R033L](#) [RL1206FR-070R03L](#) [RL0805FR-070R12L](#) [RL1218JK-070R068L](#) [RL1218JK-070R02L](#) [RL1218JK-070R015L](#) [RL1218JK-070R01L](#) [RL1218FK-070R1L](#) [RL2512FK-070R018L](#) [RL2512FK-070R047L](#) [RL2512FK-070R04L](#) [RL2512FK-070R039L](#) [RL2512FK-070R033L](#) [RL2512FK-070R027L](#) [RL2512FK-070R02L](#) [RL2512FK-070R022L](#) [RL2512FK-070R39L](#) [RL2512FK-070R2L](#) [RL2512FK-070R15L](#) [RL2512FK-070R68L](#) [RL2010JK-070R47L](#)



## Стандарт Электрон Связь

Мы молодая и активно развивающаяся компания в области поставок электронных компонентов. Мы поставляем электронные компоненты отечественного и импортного производства напрямую от производителей и с крупнейших складов мира.

Благодаря сотрудничеству с мировыми поставщиками мы осуществляем комплексные и плановые поставки широчайшего спектра электронных компонентов.

Собственная эффективная логистика и склад в обеспечивает надежную поставку продукции в точно указанные сроки по всей России.

Мы осуществляем техническую поддержку нашим клиентам и предпродажную проверку качества продукции. На все поставляемые продукты мы предоставляем гарантию .

Осуществляем поставки продукции под контролем ВП МО РФ на предприятия военно-промышленного комплекса России , а также работаем в рамках 275 ФЗ с открытием отдельных счетов в уполномоченном банке. Система менеджмента качества компании соответствует требованиям ГОСТ ISO 9001.

Минимальные сроки поставки, гибкие цены, неограниченный ассортимент и индивидуальный подход к клиентам являются основой для выстраивания долгосрочного и эффективного сотрудничества с предприятиями радиоэлектронной промышленности, предприятиями ВПК и научно-исследовательскими институтами России.

С нами вы становитесь еще успешнее!

### Наши контакты:

**Телефон:** +7 812 627 14 35

**Электронная почта:** [sales@st-electron.ru](mailto:sales@st-electron.ru)

**Адрес:** 198099, Санкт-Петербург,  
Промышленная ул, дом № 19, литера Н,  
помещение 100-Н Офис 331