



### FEATURES

- Dual 12-bit/14-bit, 2-channel ADCs
- True bipolar analog inputs
- Programmable input ranges
  - $\pm 10\text{ V}$ ,  $\pm 5\text{ V}$ ,  $0\text{ V}$  to  $+10\text{ V}$
  - $\pm 12\text{ V}$  with  $+3\text{ V}$  external reference
- Throughput rate: 500 kSPS
- Simultaneous conversion with read in less than 2  $\mu\text{s}$
- High analog input impedance
- Low current consumption
  - 5.1 mA typical in normal mode
  - 320 nA typical in shutdown mode
- AD7366-5**
  - 72 dB SNR at 50 kHz input frequency
  - 12-bit no missing codes
- AD7367-5**
  - 76 dB SNR at 50 kHz input frequency
  - 14-bit no missing codes
- Accurate on-chip reference:  $2.5\text{ V} \pm 0.2\%$
- $-40^\circ\text{C}$  to  $+85^\circ\text{C}$  operation
- High speed serial interface
  - SPI-/QSPI-/MICROWIRE-/DSP-compatible
- iCMOS process technology
- Available in a 24-lead TSSOP

### GENERAL DESCRIPTION

The AD7366-5/AD7367-5<sup>1</sup> are dual, 12-/14-bit, low power, successive approximation analog-to-digital converters (ADCs) that feature throughput rates up to 500 kSPS. Each device contains two ADCs, which are both preceded by a 2-channel multiplexer, and a low noise, wide bandwidth, track-and-hold amplifier.

The AD7366-5/AD7367-5 are fabricated on the Analog Devices, Inc., industrial CMOS process (iCMOS®)<sup>2</sup>, which is a technology platform combining the advantages of low and high voltage CMOS. The process allows the parts to accept high voltage bipolar signals in addition to reducing power consumption and package size. The AD7366-5/AD7367-5 can accept true bipolar analog input signals in the  $\pm 10\text{ V}$  range,  $\pm 5\text{ V}$  range, and  $0\text{ V}$  to  $+10\text{ V}$  range.

<sup>1</sup> Protected by U.S. Patent No. 6,731,232.

<sup>2</sup> For analog systems designers within industrial/instrumentation equipment OEMs who need high performance ICs at higher voltage levels, iCMOS is a technology platform that enables the development of analog ICs capable of  $+30\text{ V}$  and operating at  $\pm 15\text{ V}$  supplies while allowing dramatic reductions in power consumption and package size, and increased ac and dc performance.

#### Rev. B

Information furnished by Analog Devices is believed to be accurate and reliable. However, no responsibility is assumed by Analog Devices for its use, nor for any infringements of patents or other rights of third parties that may result from its use. Specifications subject to change without notice. No license is granted by implication or otherwise under any patent or patent rights of Analog Devices. Trademarks and registered trademarks are the property of their respective owners.

### FUNCTIONAL BLOCK DIAGRAM

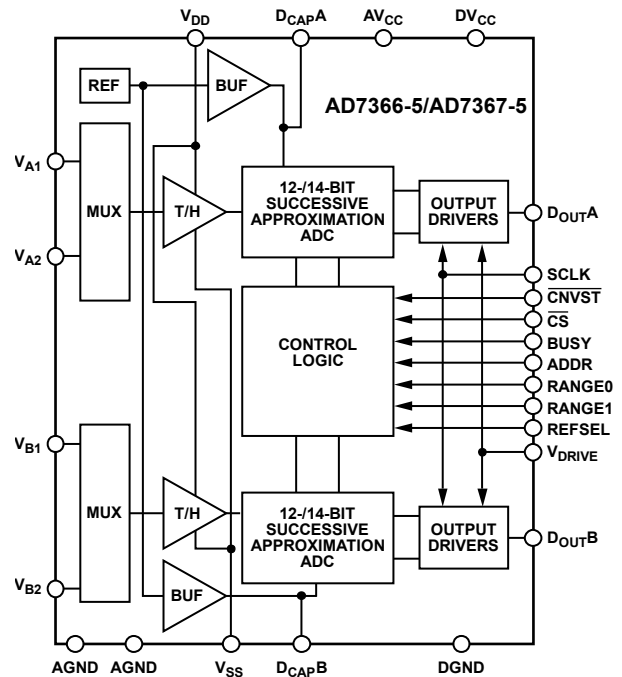


Figure 1.

The devices have an on-chip 2.5 V reference that can be disabled to allow the use of an external reference. If a 3 V reference is applied to the  $D_{CAPA}$  and  $D_{CAPB}$  pins, the AD7366-5/AD7367-5 can accept a true bipolar  $\pm 12\text{ V}$  analog input. Minimum  $\pm 12\text{ V}$   $V_{DD}$  and  $V_{SS}$  supplies are required for the  $\pm 12\text{ V}$  input range.

### PRODUCT HIGHLIGHTS

- True bipolar analog input signals can be accepted, as well as  $\pm 10\text{ V}$ ,  $\pm 5\text{ V}$ ,  $\pm 12\text{ V}$  (with external reference), and  $0\text{ V}$  to  $+10\text{ V}$  unipolar signals.
- Two complete ADC functions allow simultaneous sampling and conversion of two channels.
- A 500 kSPS serial interface is SPI-/QSPI™-/MICROWIRE™-/DSP-compatible.

Table 1. Related Products

| Device   | Resolution | Throughput Rate | No. of Channels |
|----------|------------|-----------------|-----------------|
| AD7366   | 12-Bit     | 1 MSPS          | Dual, 2-channel |
| AD7366-5 | 12-Bit     | 500 kSPS        | Dual, 2-channel |
| AD7367   | 14-Bit     | 1 MSPS          | Dual, 2-channel |
| AD7367-5 | 14-Bit     | 500 kSPS        | Dual, 2-channel |

## TABLE OF CONTENTS

|  |    |   |    |
|--|----|---|----|
| Features .....                                   | 1  | Typical Connection Diagram .....        | 18 |
| Functional Block Diagram .....                   | 1  | Driver Amplifier Choice .....           | 19 |
| General Description .....                        | 1  | Reference .....                         | 19 |
| Product Highlights .....                         | 1  | Modes of Operation .....                | 20 |
| Revision History .....                           | 2  | Normal Mode.....                        | 20 |
| Specifications.....                              | 3  | Shutdown Mode .....                     | 21 |
| AD7366-5 Specifications .....                    | 3  | Power-Up Times.....                     | 21 |
| AD7367-5 Specifications .....                    | 5  | Serial Interface .....                  | 22 |
| Timing Specifications .....                      | 7  | Microprocessor Interfacing.....         | 24 |
| Absolute Maximum Ratings.....                    | 8  | AD7366-5/AD7367-5 to ADSP-218x .....    | 24 |
| ESD Caution.....                                 | 8  | AD7366-5/AD7367-5 to ADSP-BF53x .....   | 25 |
| Pin Configuration and Function Descriptions..... | 9  | AD7366-5/AD7367-5 to TMS320VC5506 ..... | 25 |
| Typical Performance Characteristics .....        | 11 | AD7366-5/AD7367-5 to DSP563xx.....      | 26 |
| Terminology .....                                | 14 | Application Hints .....                 | 27 |
| Theory of Operation .....                        | 16 | Layout and Grounding .....              | 27 |
| Circuit Information.....                         | 16 | Evaluating the AD7366-5/AD7367-5 .....  | 27 |
| Converter Operation.....                         | 16 | Outline Dimensions .....                | 28 |
| Analog Inputs.....                               | 17 | Ordering Guide .....                    | 28 |
| Transfer Function .....                          | 17 |   |    |

## REVISION HISTORY

### 7/11—Rev. A to Rev. B

|  |    |
|--|----|
| Changes to Serial Interface Section..... | 22 |
| Changes to Figure 27 .....               | 23 |

### 8/09—Rev. 0 to Rev. A

|                         |   |
|-------------------------|---|
| Changes to Table 2..... | 4 |
| Changes to Table 3..... | 6 |

### 7/07—Revision 0: Initial Version

## SPECIFICATIONS

### AD7366-5 SPECIFICATIONS

$V_{CC} = DV_{CC} = 4.75 \text{ V to } 5.25 \text{ V}$ ;  $V_{DD} = 5 \text{ V to } 16.5 \text{ V}$ ;  $V_{SS} = -16.5 \text{ V to } -5 \text{ V}$ ;  $V_{DRIVE} = 2.7 \text{ V to } 5.25 \text{ V}$ ;  $f_{SAMPLE} = 500 \text{ kSPS}$ ;  $f_{SCLK} = 20 \text{ MHz}$ ;  $V_{REF} = 2.5 \text{ V internal/external}$ ;  $T_A = -40^\circ\text{C to } +85^\circ\text{C}$ , unless otherwise noted.

Table 2.

| Parameter   | Min | Typ   | Max     | Unit | Test Conditions/Comments                        |
|---|-----|-------|---------|------|---|
| <b>DYNAMIC PERFORMANCE</b>                                |     |       |         |      |   |
| Signal-to-Noise Ratio (SNR) <sup>1</sup>                  | 70  | 72    |         | dB   | $f_{IN} = 50 \text{ kHz sine wave}$             |
| Signal-to-Noise (+ Distortion) Ratio (SINAD) <sup>1</sup> | 70  | 71    |         | dB   |   |
| Total Harmonic Distortion (THD) <sup>1</sup>              |     | -85   | -78     | dB   |   |
| Spurious-Free Dynamic Range (SFDR) <sup>1</sup>           |     | -87   | -78     | dB   |   |
| Intermodulation Distortion (IMD) <sup>1</sup>             |     |       |         |      | $f_a = 49 \text{ kHz}, f_b = 51 \text{ kHz}$    |
| Second-Order Terms  |     | -88   |         | dB   |   |
| Third-Order Terms   |     | -88   |         | dB   |   |
| Channel-to-Channel Isolation <sup>1</sup>                 |     | -90   |         | dB   |   |
| <b>SAMPLE AND HOLD</b>                                    |     |       |         |      |   |
| Aperture Delay <sup>2</sup>                               |     |       | 10      | ns   |   |
| Aperture Jitter <sup>2</sup>                              |     | 40    |         | ps   |   |
| Aperture Delay Matching <sup>2</sup>                      |     | ±100  |         | ps   |   |
| Full Power Bandwidth                                      |     | 35    |         | MHz  | @ 3 dB, ±10 V range                             |
|   |     | 8     |         | MHz  | @ 0.1 dB, ±10 V range                           |
| <b>DC ACCURACY</b>  |     |       |         |      |   |
| Resolution  | 12  |       |         | Bits |   |
| Integral Nonlinearity (INL) <sup>1</sup>                  |     | ±0.5  | ±1      | LSB  |   |
| Differential Nonlinearity (DNL) <sup>1</sup>              |     | ±0.25 | ±0.5    | LSB  | Guaranteed no missed codes to 12 bits           |
| Positive Full-Scale Error <sup>1</sup>                    |     | ±1    | ±7      | LSB  | ±5 V and ±10 V analog input range               |
|   |     | ±1    | ±6      | LSB  | 0 V to 10 V analog input range                  |
| Positive Full-Scale Error Match <sup>1</sup>              |     | ±1.5  |         | LSB  | Matching from ADC A to ADC B                    |
|   |     | ±0.1  |         | LSB  | Channel-to-channel matching for ADC A and ADC B |
| Zero Code Error <sup>1</sup>                              |     | ±0.5  | ±3      | LSB  | ±5 V and ±10 V analog input range               |
|   |     | ±1    | ±6      | LSB  | 0 V to 10 V analog input range                  |
| Zero Code Error Match <sup>1</sup>                        |     | ±1.5  |         | LSB  | Matching from ADC A to ADC B                    |
|   |     | ±0.1  |         | LSB  | Channel-to-channel matching for ADC A and ADC B |
| Negative Full-Scale Error <sup>1</sup>                    |     | ±1    | ±7      | LSB  | ±5 V and ±10 V analog input range               |
|   |     | ±1    | ±6      | LSB  | 0 V to 10 V analog input range                  |
| Negative Full-Scale Error Match <sup>1</sup>              |     | ±1.5  |         | LSB  | Matching from ADC A to ADC B                    |
|   |     | ±0.1  |         | LSB  | Channel-to-channel matching for ADC A and ADC B |
| <b>ANALOG INPUT</b>                                       |     |       |         |      |   |
| Input Voltage Ranges<br>(Programmed via RANGE Pins)       |     |       | ±10     | V    |   |
|   |     |       | ±5      | V    |   |
|   |     |       | 0 to 10 | V    |   |
| DC Leakage Current  |     | ±0.01 | ±1      | μA   |   |
| Input Capacitance   |     | 9     |         | pF   | When in track, ±10 V range                      |
|   |     | 13    |         | pF   | When in track, ±5 V or 0 V to +10 V range       |
| Input Impedance   |     | 500   |         | kΩ   | For ±10 V @ 500 kSPS                            |
|   |     | 2.5   |         | MΩ   | For ±10 V @ 100 kSPS                            |
|   |     | 250   |         | kΩ   | For ±5 V/0 V to +10 V @ 500 kSPS                |
|   |     | 1.2   |         | MΩ   | For ±5 V/0 V to +10 V @ 100 kSPS                |

# AD7366-5/AD7367-5

| Parameter   | Min                      | Typ   | Max   | Unit   | Test Conditions/Comments  |
|---|--------------------------|-------|-------|--------|---|
| <b>REFERENCE INPUT/OUTPUT</b>                           |                          |       |       |        |   |
| Reference Output Voltage <sup>3</sup>                   | 2.494                    | 2.5   | 2.506 | V      | ±0.2% maximum @ 25°C  |
| Long-Term Stability                                     |                          | 150   |       | ppm    | For 1000 hours  |
| Output Voltage Hysteresis <sup>1</sup>                  |                          | 50    |       | ppm    |   |
| Reference Input Voltage Range                           | 2.5                      |       | 3.0   | V      |   |
| DC Leakage Current                                      |                          | ±0.01 | ±1    | µA     | External reference applied to Pin D <sub>CAP</sub> A/Pin D <sub>CAP</sub> B                                   |
| Input Capacitance                                       |                          | 25    |       | pF     | ±5 V and ±10 V analog input range   |
|   |                          | 17    |       | pF     | 0 V to 10 V analog input range  |
| D <sub>CAP</sub> A, D <sub>CAP</sub> B Output Impedance |                          | 7     |       | Ω      |   |
| Reference Temperature Coefficient                       |                          | 6     | 25    | ppm/°C |   |
| V <sub>REF</sub> Noise                                  |                          | 20    |       | µV rms | Bandwidth = 3 kHz   |
| <b>LOGIC INPUTS</b>                                     |                          |       |       |        |   |
| Input High Voltage, V <sub>INH</sub>                    | 0.7 × V <sub>DRIVE</sub> |       |       | V      |   |
| Input Low Voltage, V <sub>INL</sub>                     |                          |       | +0.8  | V      |   |
| Input Current, I <sub>IN</sub>                          |                          | ±0.01 | ±1    | µA     | V <sub>IN</sub> = 0 V or V <sub>DRIVE</sub>   |
| Input Capacitance, C <sub>IN</sub> <sup>2</sup>         |                          | 6     |       | pF     |   |
| <b>LOGIC OUTPUTS</b>                                    |                          |       |       |        |   |
| Output High Voltage, V <sub>OH</sub>                    | V <sub>DRIVE</sub> - 0.2 |       |       | V      |   |
| Output Low Voltage, V <sub>OL</sub>                     |                          |       | 0.4   | V      |   |
| Floating State Leakage Current                          |                          | ±0.01 | ±1    | µA     |   |
| Floating State Output Capacitance <sup>2</sup>          |                          | 8     |       | pF     |   |
| <b>CONVERSION RATE</b>                                  |                          |       |       |        |   |
| Conversion Time   |                          |       | 1.25  | µs     |   |
| Track/Hold Acquisition Time <sup>2</sup>                |                          |       | 140   | ns     | Full-scale step input   |
| Throughput Rate   |                          |       | 500   | kSPS   | For 2.7 V ≤ V <sub>DRIVE</sub> ≤ 5.25 V, f <sub>SCLK</sub> = 20 MHz   |
| <b>POWER REQUIREMENTS</b>                               |                          |       |       |        |   |
| V <sub>CC</sub>   | 4.75                     |       | 5.25  | V      | Digital inputs = 0 V or V <sub>DRIVE</sub><br>See Table 7   |
| V <sub>DD</sub>   | 5                        |       | 16.5  | V      | See Table 7   |
| V <sub>SS</sub>   | -16.5                    |       | -5    | V      | See Table 7   |
| V <sub>DRIVE</sub>                                      | 2.7                      |       | 5.25  | V      |   |
| <b>Normal Mode (Static)</b>                             |                          |       |       |        |   |
| I <sub>DD</sub>   |                          | 370   | 550   | µA     | V <sub>DD</sub> = 16.5 V  |
| I <sub>SS</sub>   |                          | 40    | 60    | µA     | V <sub>SS</sub> = -16.5 V   |
| I <sub>CC</sub>   |                          | 1.5   | 2.25  | mA     | V <sub>CC</sub> = 5.5 V   |
| <b>Normal Mode (Operational)</b>                        |                          |       |       |        |   |
| I <sub>DD</sub>   |                          | 1     | 1.2   | mA     | f <sub>S</sub> = 500 kSPS<br>V <sub>DD</sub> = 16.5 V   |
| I <sub>SS</sub>   |                          | 0.7   | 0.82  | mA     | V <sub>SS</sub> = -16.5 V   |
| I <sub>CC</sub>   |                          | 3.4   | 4     | mA     | V <sub>CC</sub> = 5.25 V, internal reference enabled  |
| <b>Shutdown Mode</b>                                    |                          |       |       |        |   |
| I <sub>DD</sub>   |                          | 0.01  | 1     | µA     | V <sub>DD</sub> = 16.5 V  |
| I <sub>SS</sub>   |                          | 0.01  | 1     | µA     | V <sub>SS</sub> = -16.5 V   |
| I <sub>CC</sub>   |                          | 0.3   | 3     | µA     | V <sub>CC</sub> = 5.25 V  |
| <b>Power Dissipation</b>                                |                          |       |       |        |   |
| <b>Normal Mode (Operational)</b>                        |                          |       |       |        |   |
|   |                          | 46    | 54.5  | mW     | V <sub>DD</sub> = +16.5 V, V <sub>SS</sub> = -16.5 V, V <sub>CC</sub> = +5.25 V,<br>f <sub>S</sub> = 500 kSPS |
|   |                          | 15    |       | mW     | ±10 V input range, f <sub>S</sub> = 100 kSPS  |
|   |                          | 20    |       | mW     | ±5 V and 0 V to +10 V input range, f <sub>S</sub> = 100 kSPS  |
| <b>Shutdown Mode</b>                                    |                          |       |       |        |   |
|   |                          | 1.9   | 48.75 | µW     | V <sub>DD</sub> = +16.5 V, V <sub>SS</sub> = -16.5 V, V <sub>CC</sub> = +5.25 V                               |

<sup>1</sup> See the Terminology section.

<sup>2</sup> Sample tested during initial release to ensure compliance.

<sup>3</sup> Refers to Pin D<sub>CAP</sub>A or Pin D<sub>CAP</sub>B specified for 25°C.

## AD7367-5 SPECIFICATIONS

$V_{CC} = DV_{CC} = 4.75\text{ V to }5.25\text{ V}$ ;  $V_{DD} = 5\text{ V to }16.5\text{ V}$ ;  $V_{SS} = -16.5\text{ V to }-5\text{ V}$ ;  $V_{DRIVE} = 2.7\text{ V to }5.25\text{ V}$ ;  $f_{SAMPLE} = 500\text{ kSPS}$ ;  $f_{SCLK} = 20\text{ MHz}$ ;  $V_{REF} = 2.5\text{ V internal/external}$ ;  $T_A = -40^\circ\text{C to }+85^\circ\text{C}$ , unless otherwise noted.

Table 3.

| Parameter   | Min | Typ   | Max     | Unit | Test Conditions/Comments                        |
|---|-----|-------|---------|------|---|
| <b>DYNAMIC PERFORMANCE</b>                                |     |       |         |      |   |
| Signal-to-Noise Ratio (SNR) <sup>1</sup>                  | 74  | 76    |         | dB   | $f_{IN} = 50\text{ kHz sine wave}$              |
| Signal-to-Noise (+ Distortion) Ratio (SINAD) <sup>1</sup> | 73  | 75    |         | dB   |   |
| Total Harmonic Distortion (THD) <sup>1</sup>              |     | -84   | -78     | dB   |   |
| Spurious-Free Dynamic Range (SFDR) <sup>1</sup>           |     | -87   | -79     | dB   |   |
| Intermodulation Distortion (IMD) <sup>1</sup>             |     |       |         |      | $f_a = 49\text{ kHz}, f_b = 51\text{ kHz}$      |
| Second-Order Terms  |     | -91   |         | dB   |   |
| Third-Order Terms   |     | -89   |         | dB   |   |
| Channel-to-Channel Isolation <sup>1</sup>                 |     | -90   |         | dB   |   |
| <b>SAMPLE AND HOLD</b>                                    |     |       |         |      |   |
| Aperture Delay <sup>2</sup>                               |     |       | 10      | ns   |   |
| Aperture Jitter <sup>2</sup>                              |     | 40    |         | ps   |   |
| Aperture Delay Matching <sup>2</sup>                      |     | ±100  |         | ps   |   |
| Full Power Bandwidth                                      |     | 35    |         | MHz  | @ 3 dB, ±10 V range                             |
|   |     | 8     |         | MHz  | @ 0.1 dB, ±10 V range                           |
| <b>DC ACCURACY</b>  |     |       |         |      |   |
| Resolution  | 14  |       |         | Bits |   |
| Integral Nonlinearity (INL) <sup>1</sup>                  |     | ±2    | ±3.5    | LSB  | Guaranteed no missed codes to 14 bits           |
| Differential Nonlinearity (DNL) <sup>1</sup>              |     | ±0.5  | ±0.90   | LSB  | ±5 V and ±10 V analog input range               |
| Positive Full-Scale Error <sup>1</sup>                    |     | ±4    | ±25     | LSB  | 0 V to 10 V analog input range                  |
|   |     | ±5    | ±25     | LSB  | Matching from ADC A to ADC B                    |
| Positive Full-Scale Error Match <sup>1</sup>              |     | ±3    |         | LSB  | Channel-to-channel matching for ADC A and ADC B |
|   |     | ±0.2  |         | LSB  | ±5 V and ±10 V analog input range               |
| Zero Code Error <sup>1</sup>                              |     | ±1    | ±10     | LSB  | 0 V to 10 V analog input range                  |
|   |     | ±5    | ±25     | LSB  | Matching from ADC A to ADC B                    |
| Zero Code Error Match <sup>1</sup>                        |     | ±3    |         | LSB  | Channel-to-channel matching for ADC A and ADC B |
|   |     | ±0.2  |         | LSB  | ±5 V and ±10 V analog input range               |
| Negative Full-Scale Error <sup>1</sup>                    |     | ±4    | ±25     | LSB  | 0 V to 10 V analog input range                  |
|   |     | ±5    | ±25     | LSB  | Matching from ADC A to ADC B                    |
| Negative Full-Scale Error Match <sup>1</sup>              |     | ±3    |         | LSB  | Channel-to-channel matching for ADC A and ADC B |
|   |     | ±0.2  |         | LSB  | ±5 V and ±10 V analog input range               |
| <b>ANALOG INPUT</b>                                       |     |       |         |      |   |
| Input Voltage Ranges<br>(Programmed via RANGE Pins)       |     |       | ±10     | V    |   |
|   |     |       | ±5      | V    |   |
|   |     |       | 0 to 10 | V    | See Table 7                                     |
| DC Leakage Current  |     | ±0.01 | ±1      | μA   |   |
| Input Capacitance   |     | 9     |         | pF   | When in track, ±10 V range                      |
|   |     | 13    |         | pF   | When in track, ±5 V or 0 V to +10 V range       |
| Input Impedance   |     | 500   |         | kΩ   | For ±10 V @ 500 kSPS                            |
|   |     | 2.5   |         | MΩ   | For ±10 V @ 100 kSPS                            |
|   |     | 250   |         | kΩ   | For ±5 V/0 V to +10 V @ 500 kSPS                |
|   |     | 1.2   |         | MΩ   | For ±5 V/0 V to +10 V @ 100 kSPS                |

# AD7366-5/AD7367-5

| Parameter   | Min                      | Typ   | Max   | Unit   | Test Conditions/Comments  |
|---|--------------------------|-------|-------|--------|---|
| <b>REFERENCE INPUT/OUTPUT</b>                           |                          |       |       |        |   |
| Reference Output Voltage <sup>3</sup>                   | 2.494                    | 2.5   | 2.506 | V      | ±0.2% maximum @ 25°C  |
| Long-Term Stability                                     |                          | 150   |       | ppm    | For 1000 hours  |
| Output Voltage Hysteresis <sup>1</sup>                  |                          | 50    |       | ppm    |   |
| Reference Input Voltage Range                           | 2.5                      |       | 3.0   | V      |   |
| DC Leakage Current                                      |                          | ±0.01 | ±1    | μA     | External reference applied to D <sub>CAP</sub> A/Pin D <sub>CAP</sub> B         |
| Input Capacitance                                       |                          | 25    |       | pF     | ±5 V and ±10 V analog input range   |
|   |                          | 17    |       | pF     | 0 V to 10 V analog input range  |
| D <sub>CAP</sub> A, D <sub>CAP</sub> B Output Impedance |                          | 7     |       | Ω      |   |
| Reference Temperature Coefficient                       |                          | 6     | 25    | ppm/°C |   |
| V <sub>REF</sub> Noise                                  |                          | 20    |       | μV rms | Bandwidth = 3 kHz   |
| <b>LOGIC INPUTS</b>                                     |                          |       |       |        |   |
| Input High Voltage, V <sub>INH</sub>                    | 0.7 × V <sub>DRIVE</sub> |       |       | V      |   |
| Input Low Voltage, V <sub>INL</sub>                     |                          |       | 0.8   | V      |   |
| Input Current, I <sub>IN</sub>                          |                          | ±0.01 | ±1    | μA     | V <sub>IN</sub> = 0 V or V <sub>DRIVE</sub>                                     |
| Input Capacitance, C <sub>IN</sub> <sup>2</sup>         |                          | 6     |       | pF     |   |
| <b>LOGIC OUTPUTS</b>                                    |                          |       |       |        |   |
| Output High Voltage, V <sub>OH</sub>                    | V <sub>DRIVE</sub> - 0.2 |       |       | V      |   |
| Output Low Voltage, V <sub>OL</sub>                     |                          |       | 0.4   | V      |   |
| Floating State Leakage Current                          |                          | ±0.01 | ±1    | μA     |   |
| Floating State Output Capacitance <sup>2</sup>          |                          | 8     |       | pF     |   |
| <b>CONVERSION RATE</b>                                  |                          |       |       |        |   |
| Conversion Time   |                          |       | 1.25  | ns     |   |
| Track/Hold Acquisition Time <sup>2</sup>                |                          |       | 140   | ns     | Full-scale step input   |
| Throughput Rate   |                          |       | 500   | kSPS   | For 2.7 V ≤ V <sub>DRIVE</sub> ≤ 5.25 V, f <sub>SCLK</sub> = 20 MHz             |
| <b>POWER REQUIREMENTS</b>                               |                          |       |       |        |   |
| V <sub>CC</sub>   | 4.75                     |       | 5.25  | V      | Digital inputs = 0 V or V <sub>DRIVE</sub><br>See Table 7                       |
| V <sub>DD</sub>   | 5                        |       | 16.5  | V      | See Table 7   |
| V <sub>SS</sub>   | -16.5                    |       | -5    | V      | See Table 7   |
| V <sub>DRIVE</sub>                                      | 2.7                      |       | 5.25  | V      |   |
| <b>Normal Mode (Static)</b>                             |                          |       |       |        |   |
| I <sub>DD</sub>   |                          | 370   | 550   | μA     | V <sub>DD</sub> = 16.5 V  |
| I <sub>SS</sub>   |                          | 40    | 60    | μA     | V <sub>SS</sub> = -16.5 V   |
| I <sub>CC</sub>   |                          | 1.5   | 2.25  | mA     | V <sub>CC</sub> = 5.5 V   |
| <b>Normal Mode (Operational)</b>                        |                          |       |       |        |   |
| I <sub>DD</sub>   |                          | 1     | 1.2   | mA     | f <sub>S</sub> = 500 kSPS<br>V <sub>DD</sub> = 16.5 V                           |
| I <sub>SS</sub>   |                          | 0.7   | 0.82  | mA     | V <sub>SS</sub> = -16.5 V   |
| I <sub>CC</sub>   |                          | 3.4   | 4     | mA     | V <sub>CC</sub> = 5.25 V, internal reference enabled                            |
| <b>Shutdown Mode</b>                                    |                          |       |       |        |   |
| I <sub>DD</sub>   |                          | 0.01  | 1     | μA     | V <sub>DD</sub> = 16.5 V  |
| I <sub>SS</sub>   |                          | 0.01  | 1     | μA     | V <sub>SS</sub> = -16.5 V   |
| I <sub>CC</sub>   |                          | 0.3   | 3     | μA     | V <sub>CC</sub> = 5.25 V  |
| <b>Power Dissipation</b>                                |                          |       |       |        |   |
| <b>Normal Mode (Operational)</b>                        |                          |       |       |        |   |
|   |                          | 46    | 54.5  | mW     | V <sub>DD</sub> = +16.5 V, V <sub>SS</sub> = -16.5 V, V <sub>CC</sub> = +5.25 V |
|   |                          | 15    |       | mW     | ±10 V input range, f <sub>S</sub> = 100 kSPS                                    |
|   |                          | 20    |       | mW     | ±5 V and 0 V to +10 V input range, f <sub>S</sub> = 100 kSPS                    |
| <b>Shutdown Mode</b>                                    |                          |       |       |        |   |
|   |                          | 1.9   | 48.75 | μW     | V <sub>DD</sub> = +16.5 V, V <sub>SS</sub> = -16.5 V, V <sub>CC</sub> = +5.25 V |

<sup>1</sup> See the Terminology section.

<sup>2</sup> Sample tested during initial release to ensure compliance.

<sup>3</sup> Refers to Pin D<sub>CAP</sub>A or Pin D<sub>CAP</sub>B.

## TIMING SPECIFICATIONS

$AV_{CC} = DV_{CC} = 4.75 \text{ V to } 5.25 \text{ V}$ ;  $V_{DD} = 5 \text{ V to } 16.5 \text{ V}$ ;  $V_{SS} = -16.5 \text{ V to } -5 \text{ V}$ ;  $V_{DRIVE} = 2.7 \text{ V to } 5.25 \text{ V}$ ;  $T_A = T_{MIN} \text{ to } T_{MAX}$ , unless otherwise noted.<sup>1</sup>

Table 4.

| Parameter      | $2.7 \text{ V} \leq V_{DRIVE} \leq 5.25 \text{ V}$ | Unit              | Test Conditions/Comments  |
|----------------|--|-------------------|---|
| $t_{CONVERT}$  | 1.25   | $\mu\text{s max}$ | Conversion time, internal clock. $\overline{CONVST}$ falling edge to $BUSY$ falling edge.<br>For the AD7367-5.                |
|                | 1.25   | $\mu\text{s max}$ | For the AD7366-5.   |
| $f_{SCLK}$     | 10   | $\text{kHz min}$  | Frequency of serial read clock.   |
|                | 20   | $\text{MHz max}$  |   |
| $t_{QUIET}$    | 50   | $\text{ns min}$   | Minimum quiet time required between the end of serial read and the start of the next conversion.                              |
| $t_1$          | 10   | $\text{ns min}$   | Minimum $\overline{CONVST}$ low pulse.  |
| $t_2$          | 40   | $\text{ns min}$   | $\overline{CONVST}$ falling edge to $BUSY$ rising edge.   |
| $t_3$          | 0  | $\text{ns min}$   | $BUSY$ falling edge to MSB valid once $\overline{CS}$ is low for $t_4$ prior to $BUSY$ going low.                             |
| $t_4$          | 10   | $\text{ns max}$   | Delay from $\overline{CS}$ falling edge until Pin 1 ( $D_{OUTA}$ ) and Pin 23 ( $D_{OUTB}$ ) are three-state disabled.        |
| $t_5^2$        | 20   | $\text{ns max}$   | Data access time after $SCLK$ falling edge.   |
| $t_6$          | 7  | $\text{ns min}$   | $SCLK$ to data valid hold time.   |
| $t_7$          | $0.3 \times t_{SCLK}$                              | $\text{ns min}$   | $SCLK$ low pulse width.   |
| $t_8$          | $0.3 \times t_{SCLK}$                              | $\text{ns min}$   | $SCLK$ high pulse width.  |
| $t_9$          | 10   | $\text{ns max}$   | $\overline{CS}$ rising edge to $D_{OUTA}$ , $D_{OUTB}$ , high impedance.  |
| $t_{POWER-UP}$ | 70   | $\mu\text{s max}$ | Power up time from shutdown mode; time required between $\overline{CONVST}$ rising edge and $\overline{CONVST}$ falling edge. |

<sup>1</sup> Sample tested during initial release to ensure compliance. All input signals are specified with  $t_R = t_F = 5 \text{ ns}$  (10% to 90% of  $V_{DRIVE}$ ) and timed from a voltage level of 1.6 V. All timing specifications given are with a 25 pF load capacitance. With a load capacitance greater than this value, a digital buffer or latch must be used. See the Terminology section and Figure 25.

<sup>2</sup> The time required for the output to cross is 0.4 V or 2.4 V.

## ABSOLUTE MAXIMUM RATINGS

Table 5.

| Parameter   | Rating   |
|---|--|
| V <sub>DD</sub> to AGND, DGND                         | -0.3 V to +16.5 V                                  |
| V <sub>SS</sub> to AGND, DGND                         | -16.5 V to +0.3 V                                  |
| V <sub>DRIVE</sub> to DGND                            | -0.3 V to DV <sub>CC</sub>                         |
| V <sub>DD</sub> to AV <sub>CC</sub>                   | (V <sub>CC</sub> - 0.3 V) to +16.5 V               |
| AV <sub>CC</sub> to AGND, DGND                        | -0.3 V to +7 V                                     |
| DV <sub>CC</sub> to AV <sub>CC</sub>                  | -0.3 V to +0.3 V                                   |
| DV <sub>CC</sub> to DGND                              | -0.3 V to +7 V                                     |
| V <sub>DRIVE</sub> to AGND                            | -0.3 V to DV <sub>CC</sub>                         |
| AGND to DGND  | -0.3 V to +0.3 V                                   |
| Analog Input Voltage to AGND                          | V <sub>SS</sub> - 0.3 V to V <sub>DD</sub> + 0.3 V |
| Digital Input Voltage to DGND                         | -0.3 V to V <sub>DRIVE</sub> + 0.3 V               |
| Digital Output Voltage to GND                         | -0.3 V to V <sub>DRIVE</sub> + 0.3 V               |
| D <sub>CAPB</sub> , D <sub>CAPB</sub> Input to AGND   | -0.3 V to AV <sub>CC</sub> + 0.3 V                 |
| Input Current to Any Pin Except Supplies <sup>1</sup> | ±10 mA   |
| Operating Temperature Range                           | -40°C to +85°C                                     |
| Storage Temperature Range                             | -65°C to +150°C                                    |
| Junction Temperature                                  | 150°C  |
| TSSOP Package   |  |
| θ <sub>JA</sub> Thermal Impedance                     | 128°C/W  |
| θ <sub>JC</sub> Thermal Impedance                     | 42°C/W   |
| Pb-free Temperature, Soldering                        |  |
| Reflow  | 260(+0)°C  |
| ESD   | 1.5 kV   |

<sup>1</sup> Transient currents of up to 100 mA do not cause latch-up.

Stresses above those listed under Absolute Maximum Ratings may cause permanent damage to the device. This is a stress rating only; functional operation of the device at these or any other conditions above those indicated in the operational section of this specification is not implied. Exposure to absolute maximum rating conditions for extended periods may affect device reliability.

### ESD CAUTION



**ESD (electrostatic discharge) sensitive device.** Charged devices and circuit boards can discharge without detection. Although this product features patented or proprietary protection circuitry, damage may occur on devices subjected to high energy ESD. Therefore, proper ESD precautions should be taken to avoid performance degradation or loss of functionality.



## PIN CONFIGURATION AND FUNCTION DESCRIPTIONS

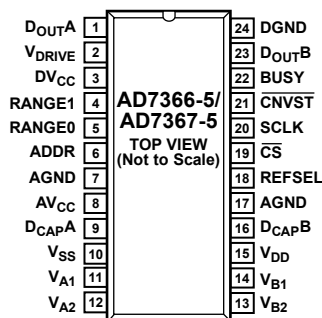


Figure 2. Pin Configuration

Table 6. Pin Function Descriptions

| Pin No. | Mnemonic                               | Description   |
|---------|--|---|
| 1, 23   | D <sub>OUTA</sub> , D <sub>OUTB</sub>  | Serial Data Outputs. The data output is supplied to each pin as a serial data stream. The bits are clocked out on the falling edge of the SCLK input and 12 SCLK cycles are required to access the data from the AD7366-5 while 14 SCLK cycles are required for the AD7367-5. The data simultaneously appears on both pins from the simultaneous conversions of both ADCs. The data stream consists of the 12 bits of conversion data for the AD7366-5 and 14 bits for the AD7367-5 and is provided MSB first. If $\overline{CS}$ is held low for a further 12 SCLK cycles for the AD7366-5 or 14 SCLK cycles for the AD7367-5, on either D <sub>OUTA</sub> or D <sub>OUTB</sub> , the data from the other ADC follows on that D <sub>OUT</sub> pin. This allows data from a simultaneous conversion on both ADCs to be gathered in serial format on either D <sub>OUTA</sub> or D <sub>OUTB</sub> using only one serial port. See the Serial Interface section for more information. |
| 2       | V <sub>DRIVE</sub>                     | Logic Power Supply Input. The voltage supplied at this pin determines at what voltage the interface operates. This pin should be decoupled to DGND. The voltage range on this pin is 2.7 V to 5.25 V and may be different than the voltage at AV <sub>CC</sub> and DV <sub>CC</sub> , but should never exceed either by more than 0.3 V.  |
| 3       | DV <sub>CC</sub>                       | Digital Supply Voltage, 4.75 V to 5.25 V. The DV <sub>CC</sub> and AV <sub>CC</sub> voltages should ideally be at the same potential. For best performance, it is recommended that the DV <sub>CC</sub> and AV <sub>CC</sub> pins be shorted together, to ensure that the voltage difference between them never exceeds 0.3 V, even on a transient basis. This supply should be decoupled to DGND. Place 10 $\mu$ F and 100 nF decoupling capacitors on the DV <sub>CC</sub> pin.   |
| 4, 5    | RANGE1,<br>RANGE0                      | Analog Input Range Selection, Logic Inputs. The polarity on these pins determines the input range of the analog input channels. See the Analog Inputs section and Table 8 for details.  |
| 6       | ADDR                                   | Multiplexer Select, Logic Input. This input is used to select the pair of channels to be simultaneously converted, either Channel 1 of both ADC A and ADC B, or Channel 2 of both ADC A and ADC B. The logic state on this pin is latched on the rising edge of BUSY to set up the multiplexer for the next conversion.   |
| 7, 17   | AGND                                   | Analog Ground. Ground reference point for all analog circuitry on the AD7366-5/AD7367-5. All analog input signals and any external reference signal should be referred to this AGND voltage. Both AGND pins should connect to the AGND plane of a system. The AGND and DGND voltages ideally should be at the same potential and must not be more than 0.3 V apart, even on a transient basis.  |
| 8       | AV <sub>CC</sub>                       | Analog Supply Voltage, 4.75 V to 5.25 V. This is the supply voltage for the ADC cores. The AV <sub>CC</sub> and DV <sub>CC</sub> voltages should ideally be at the same potential. For best performance, it is recommended that the DV <sub>CC</sub> and AV <sub>CC</sub> pins be shorted together to ensure that the voltage difference between them never exceeds 0.3 V even on a transient basis. This supply should be decoupled to AGND. Place 10 $\mu$ F and 100 nF decoupling capacitors on the AV <sub>CC</sub> pin.  |
| 9, 16   | D <sub>CAP</sub> A, D <sub>CAP</sub> B | Decoupling Capacitor Pins. Decoupling capacitors are connected to these pins to decouple the reference buffer for each respective ADC. For best performance, it is recommended to use a 680 nF decoupling capacitor on these pins. Provided the output is buffered, the on-chip reference can be taken from these pins and applied externally to the rest of a system.  |
| 10      | V <sub>SS</sub>                        | Negative Power Supply Voltage. This is the negative supply voltage for the high voltage analog input structure of the AD7366-5/AD7367-5. The supply must be less than or equal to $-5$ V (see Table 7 for further details). Place 10 $\mu$ F and 100 nF decoupling capacitors on the V <sub>SS</sub> pin.   |
| 11, 12  | V <sub>A1</sub> , V <sub>A2</sub>      | Analog Inputs of ADC A. These are both single-ended analog inputs. The analog input range on these channels is determined by the RANGE0 and RANGE1 pins.  |
| 13, 14  | V <sub>B2</sub> , V <sub>B1</sub>      | Analog Inputs of ADC B. These are both single-ended analog inputs. The analog input range on these channels is determined by the RANGE0 and RANGE1 pins.  |
| 15      | V <sub>DD</sub>                        | Positive Power Supply Voltage. This is the positive supply voltage for the high voltage analog input structure of the AD7366-5/AD7367-5. The supply must be greater than or equal to 5 V (see Table 7 for further details). Place 10 $\mu$ F and 100 nF decoupling capacitors on the V <sub>DD</sub> pin.   |

## AD7366-5/AD7367-5

| Pin No. | Mnemonic           | Description  |
|---------|--------------------|--|
| 18      | REFSEL             | Internal/External Reference Selection, Logic Input. If this pin is tied to logic high, the on-chip 2.5 V reference is used as the reference source for both ADC A and ADC B. In addition, Pin $D_{CAPA}$ and Pin $D_{CAPB}$ must be tied to decoupling capacitors. If the REFSEL pin is tied to GND, an external reference can be supplied to the AD7366-5/AD7367-5 through the $D_{CAPA}$ and/or $D_{CAPB}$ pins. |
| 19      | $\overline{CS}$    | Chip Select, Active Low Logic Input. This input frames the serial data transfer. When $\overline{CS}$ is logic low, the output bus is enabled, and the conversion result is output on $D_{OUTA}$ and $D_{OUTB}$ .  |
| 20      | SCLK               | Serial Clock, Logic Input. A serial clock input provides the SCLK for accessing the data from the AD7366-5/AD7367-5.   |
| 21      | $\overline{CNVST}$ | Conversion Start, Logic Input. This pin is edge triggered. On the falling edge of this input, the track/hold goes into hold mode and the conversion is initiated. If $\overline{CNVST}$ is low at the end of a conversion, the part goes into power-down mode. In this case, the rising edge of $\overline{CNVST}$ instructs the part to power up again.   |
| 22      | BUSY               | Busy Output. BUSY transitions high when a conversion starts and remains high until the conversion completes.   |
| 24      | DGND               | Digital Ground. This is the ground reference point for all digital circuitry on the AD7366-5/AD7367-5. The DGND pin should connect to the DGND plane of a system. The DGND and AGND voltages should ideally be at the same potential and must not be more than 0.3 V apart, even on a transient basis.   |

# TYPICAL PERFORMANCE CHARACTERISTICS

T<sub>A</sub> = 25°C, unless otherwise noted.

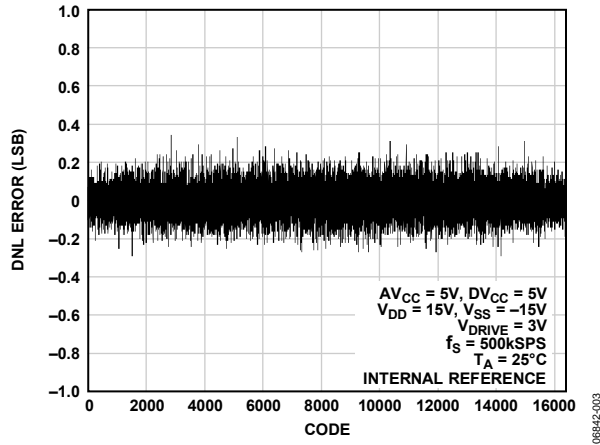


Figure 3. AD7367-5 Typical DNL

06842-003

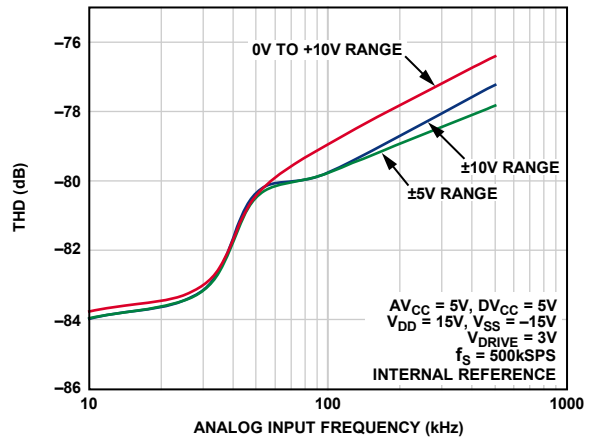


Figure 6. THD vs. Analog Input Frequency

06842-006

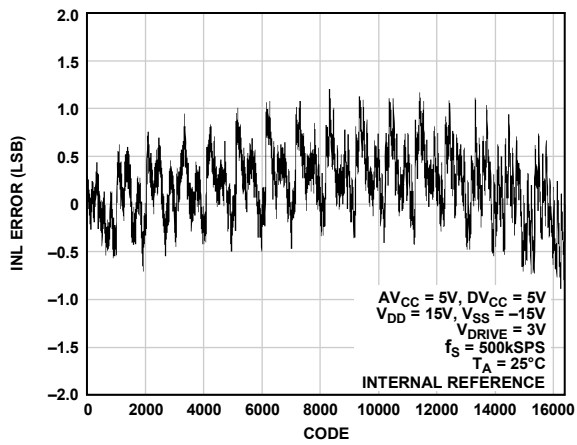


Figure 4. AD7367-5 Typical INL

06842-004

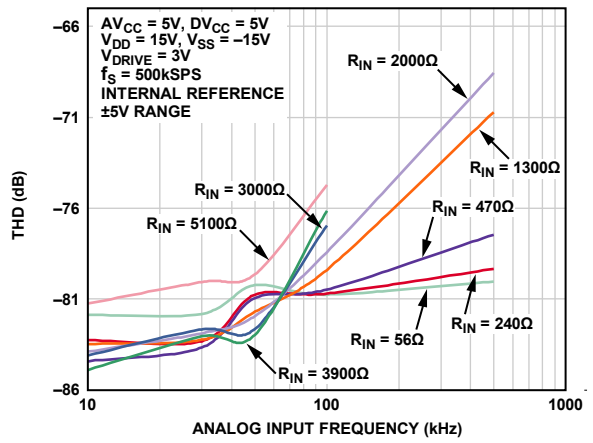


Figure 7. THD vs. Analog Input Frequency for Various Source Impedances

06842-007

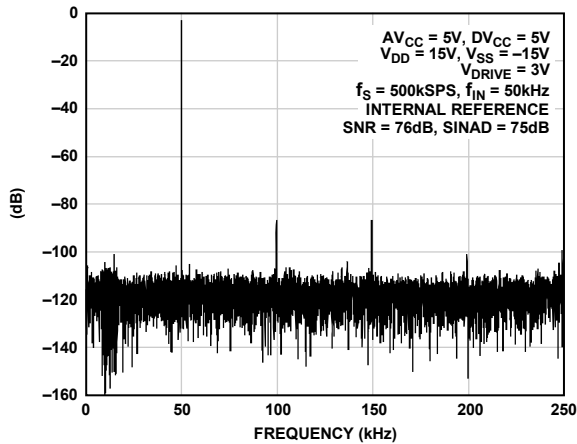


Figure 5. AD7367-5 FFT

06842-005

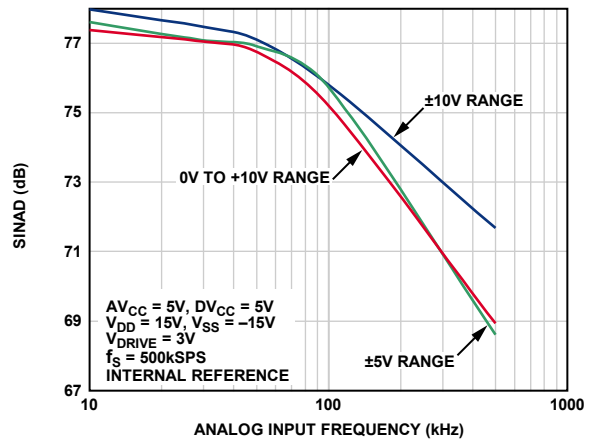


Figure 8. SINAD vs. Analog Input Frequency

06842-008

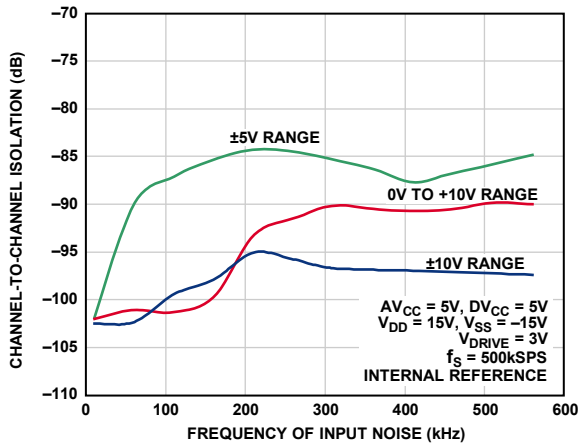


Figure 9. Channel-to-Channel Isolation

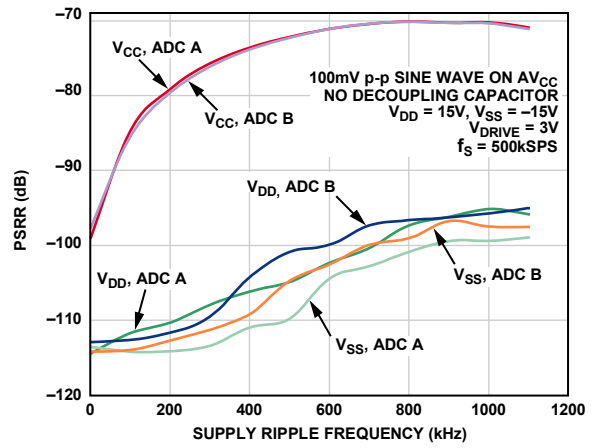


Figure 11. PSRR vs. Supply Ripple Frequency Without Supply Decoupling

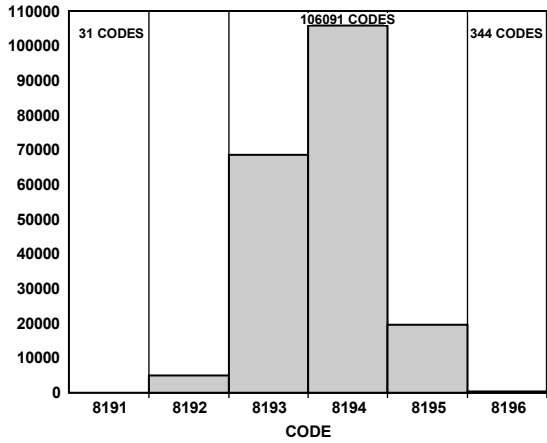


Figure 10. Histogram of Codes for 200k Samples

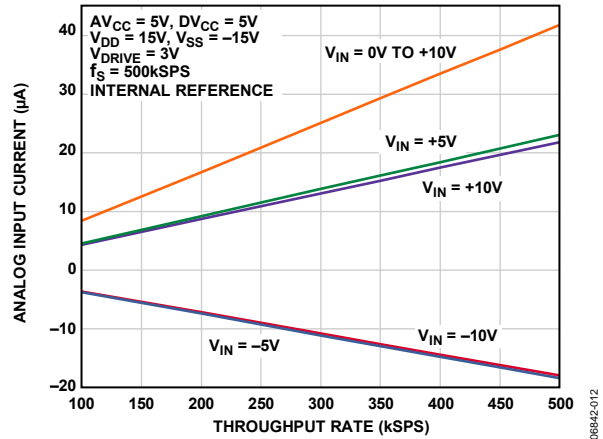


Figure 12. Analog Input Current vs. Throughput Rate

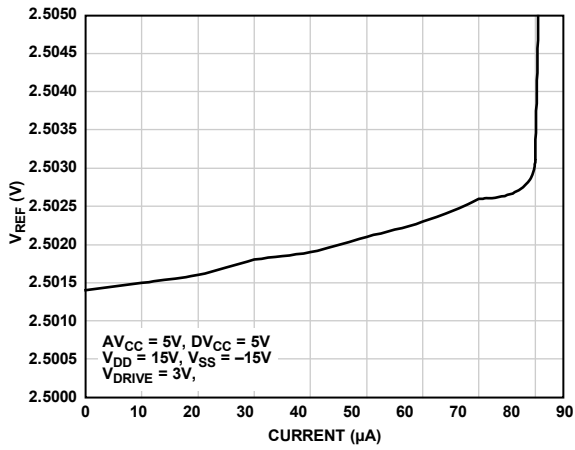


Figure 13.  $V_{REF}$  vs. Reference Output Current Drive

066942-013

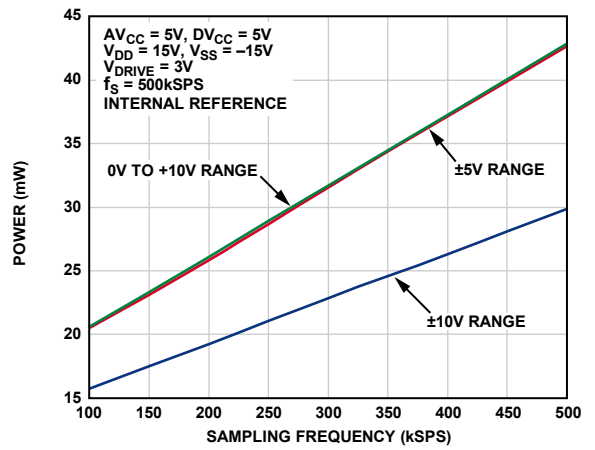


Figure 15. Power vs. Sampling Frequency in Normal Mode

066942-015

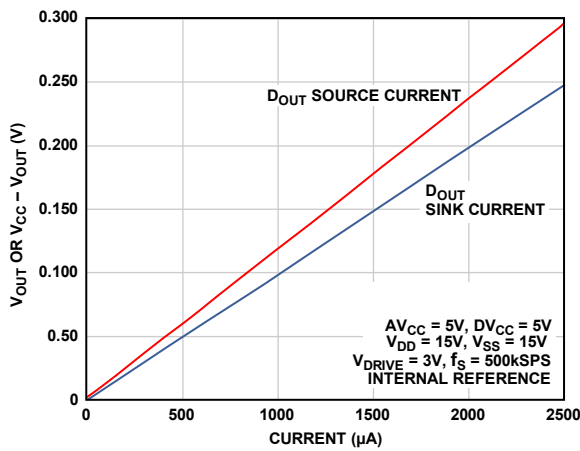


Figure 14.  $D_{OUT}$  Source Current vs.  $(V_{CC} - V_{OUT})$  and  $D_{OUT}$  Sink Current vs.  $V_{OUT}$

066942-014

## TERMINOLOGY

### Differential Nonlinearity (DNL)

DNL is the difference between the measured and the ideal 1 LSB change between any two adjacent codes in the ADC.

### Integral Nonlinearity (INL)

INL is the maximum deviation from a straight line passing through the endpoints of the ADC transfer function. The endpoints of the transfer function are zero scale, a single (1) LSB point below the first code transition and full scale, a point 1 LSB above the last code transition.

### Zero Code Error

This is the deviation of the midscale transition (all 1s to all 0s) from the ideal  $V_{IN}$  voltage, that is,  $AGND - \frac{1}{2}$  LSB for bipolar ranges and  $2 \times V_{REF} - 1$  LSB for the unipolar range.

### Positive Full-Scale Error

This is the deviation of the last code transition (011...110) to (011...111) from the ideal (that is,  $4 \times V_{REF} - 1$  LSB or  $2 \times V_{REF} - 1$  LSB) after the zero code error has been adjusted out.

### Negative Full-Scale Error

This is the deviation of the first code transition (10...000) to (10...001) from the ideal (that is,  $-4 \times V_{REF} + 1$  LSB,  $-2 \times V_{REF} + 1$  LSB, or  $AGND + 1$  LSB) after the zero code error has been adjusted out.

### Zero Code Error Match

This is the difference in zero code error across all 12 channels.

### Positive Full-Scale Error Match

This is the difference in positive full-scale error across all channels.

### Negative Full-Scale Error Match

This is the difference in negative full-scale error across all channels.

### Track-and-Hold Acquisition Time

The track-and-hold amplifier returns to track mode at the end of a conversion. Track-and-hold acquisition time is the time required for the output of the track-and-hold amplifier to reach its final value, within  $\pm \frac{1}{2}$  LSB, after the end of conversion.

### Signal-to-Noise (+ Distortion) Ratio (SINAD)

This ratio is the measured ratio of signal-to-noise (+ distortion) at the output of the ADC. The signal is the rms amplitude of the fundamental. Noise is the sum of all nonfundamental signals up to half the sampling frequency ( $f_s/2$ ), excluding dc. The ratio is dependent on the number of quantization levels in the digitization process: the more levels, the smaller the quantization noise. The theoretical signal-to-noise (+ distortion) ratio for an ideal N-bit converter with a sine wave input is given by:

$$\text{Signal-to-Noise (+ Distortion)} = (6.02N + 1.76) \text{ dB}$$

Thus, for a 12-bit converter, this is 74 dB.

### Total Harmonic Distortion (THD)

THD is the ratio of the rms sum of harmonics to the fundamental. For the AD7366-5/AD7367-5, it is defined as:

$$\text{THD(dB)} = 20 \log \frac{\sqrt{V_2^2 + V_3^2 + V_4^2 + V_5^2 + V_6^2}}{V_1}$$

where:

$V_1$  is the rms amplitude of the fundamental.

$V_2, V_3, V_4, V_5,$  and  $V_6$  are the rms amplitudes of the second through the sixth harmonics.

### Peak Harmonic or Spurious Noise

Peak harmonic, or spurious noise, is defined as the ratio of the rms value of the next largest component in the ADC output spectrum (up to  $f_s/2$ , excluding dc) to the rms value of the fundamental. Normally, the value of this specification is determined by the largest harmonic in the spectrum. However, for ADCs where the harmonics are buried in the noise floor, it is a noise peak.

### Channel-to-Channel Isolation

Channel-to-channel isolation is a measure of the level of cross-talk between any two channels when operating in any of the input ranges. It is measured by applying a full-scale, 150 kHz sine wave signal to all unselected input channels and determining how much that signal is attenuated in the selected channel with a 50 kHz signal. The figure given is the typical across all four channels for the AD7366-5/AD7367-5 (see the Figure 9 for more information).

### Intermodulation Distortion

With inputs consisting of sine waves at two frequencies,  $f_a$  and  $f_b$ , any active device with nonlinearities creates distortion products at the sum, and different frequencies of  $m f_a \pm n f_b$  where  $m, n = 0, 1, 2, 3,$  and so on. Intermodulation distortion terms are those for which neither  $m$  nor  $n$  is equal to zero. For example, the second-order terms include  $(f_a + f_b)$  and  $(f_a - f_b)$ , while the third-order terms include  $(2f_a + f_b)$ ,  $(2f_a - f_b)$ ,  $(f_a + 2f_b)$ , and  $(f_a - 2f_b)$ .

The AD7366-5/AD7367-5 is tested using the CCIF standard where two input frequencies near the top end of the input bandwidth are used. In this case, the second-order terms are usually distanced in frequency from the original sine waves, while the third-order terms are usually at a frequency close to the input frequencies. As a result, the second- and third-order terms are specified separately. The calculation of the intermodulation distortion is as per the THD specification, where it is the ratio of the rms sum of the individual distortion products to the rms amplitude of the sum of the fundamentals expressed in decibels.

**Power Supply Rejection Ration (PSRR)**

Variations in power supply affect the full-scale transition but not the converter's linearity. PSRR is the maximum change in the full-scale transition point due to a change in power supply voltage from the nominal value (see Figure 11).

**Thermal Hysteresis**

Thermal hysteresis is defined as the absolute maximum change of reference output voltage after the device is cycled through temperature from either

$$T_{HYS+} = +25^{\circ}\text{C to } T_{MAX} \text{ to } +25^{\circ}\text{C}$$

or

$$T_{HYS-} = +25^{\circ}\text{C to } T_{MIN} \text{ to } +25^{\circ}\text{C}$$

It is expressed in ppm using the following equation:

$$V_{HYS} \text{ (ppm)} = \left| \frac{V_{REF}(25^{\circ}\text{C}) - V_{REF}(T_{HYS})}{V_{REF}(25^{\circ}\text{C})} \right| \times 10^6$$

where:

$V_{REF}(25^{\circ}\text{C})$  is  $V_{REF}$  at  $25^{\circ}\text{C}$ .

$V_{REF}(T_{HYS})$  is the maximum change of  $V_{REF}$  at  $T_{HYS+}$  or  $T_{HYS-}$ .

## THEORY OF OPERATION

### CIRCUIT INFORMATION

The AD7366-5/AD7367-5 are fast, dual, 2-channel, 12-/14-bit, bipolar input, simultaneous sampling, serial ADCs. The AD7366-5/AD7367-5 can accept bipolar input ranges of  $\pm 10$  V and  $\pm 5$  V. They can also accept a 0 V to 10 V unipolar input range. The AD7366-5/AD7367-5 require  $V_{DD}$  and  $V_{SS}$  dual supplies for the high voltage analog input structure. These supplies must be greater than or equal to the analog input range (see Table 7 for the minimum requirements on these supplies for each analog input range). The AD7366-5/AD7367-5 require a low voltage 4.75 V to 5.25 V  $V_{CC}$  supply to power the ADC core.

**Table 7. Reference and Supply Requirements for Each Analog Input Range**

| Selected Analog Input Range (V) | Reference Voltage (V) | Full-Scale Input Range (V) | $AV_{CC}$ (V) | Minimum $V_{DD}/V_{SS}$ (V) |
|---------------------------------|-----------------------|----------------------------|---------------|-----------------------------|
| $\pm 10$                        | +2.5                  | $\pm 10$                   | +5            | $\pm 10$                    |
|                                 | +3.0                  | $\pm 12$                   | +5            | $\pm 12$                    |
| $\pm 5$                         | +2.5                  | $\pm 5$                    | +5            | $\pm 5$                     |
|                                 | +3.0                  | $\pm 6$                    | +5            | $\pm 6$                     |
| 0 to +10                        | +2.5                  | 0 to +10                   | +5            | +10/AGND                    |
|                                 | +3.0                  | 0 to +12                   | +5            | +12/AGND                    |

Each AD7366-5/AD7367-5 contains two on-chip, track-and-hold amplifiers, two successive approximation ADCs, and a serial interface with two separate data output pins. The device is housed in a 24-lead TSSOP, offering the user considerable space-saving advantages over alternative solutions.

The AD7366-5/AD7367-5 require a  $\overline{CNVST}$  signal to start a conversion. On the falling edge of  $\overline{CNVST}$ , both track-and-holds are placed into hold mode, and the conversions are initiated. The BUSY signal goes high to indicate that the conversions are taking place. The clock source for each successive approximation ADC is provided by an internal oscillator. The BUSY signal goes low to indicate the end of conversion. On the falling edge of BUSY, the track-and-hold returns to track mode. Once the conversion is finished, the serial clock input accesses data from the part.

The AD7366-5/AD7367-5 have an on-chip 2.5 V reference that can be disabled when an external reference is preferred. If the internal reference is to be used elsewhere in a system, the output from  $D_{CAPA}$  and  $D_{CAPB}$  must first be buffered. On power-up, the REFSEL pin must be tied to a high or low logic state to select either the internal or external reference option.

If the internal reference is the preferred option, the user must tie the REFSEL pin logic high. Alternatively, if REFSEL is tied to GND, an external reference can be supplied to both ADCs through the  $D_{CAPA}$  and  $D_{CAPB}$  pins.

The analog inputs are configured as two single-ended inputs for each ADC. The various different input voltage ranges can be selected by programming the RANGE bits as shown in Table 8.

### CONVERTER OPERATION

The AD7366-5/AD7367-5 have two successive approximation ADCs, each based around two capacitive DACs. Figure 16 and Figure 17 show simplified schematics of an ADC in acquisition and conversion phases, respectively. The ADC is comprised of control logic, a SAR, and a capacitive DAC. In Figure 16 (the acquisition phase), SW2 is closed, SW1 is in Position A, the comparator is held in a balanced condition, and the sampling capacitor arrays acquire the signal on the input.

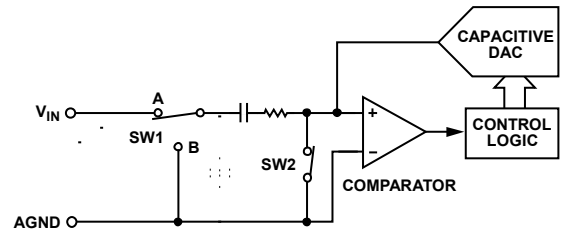


Figure 16. ADC Acquisition Phase

When the ADC starts a conversion (see Figure 17), SW2 opens, and SW1 moves to Position B, causing the comparator to become unbalanced. The control logic and the charge redistribution DAC is used to add and subtract fixed amounts of charge from the sampling capacitor to bring the comparator back into a balanced condition. When the comparator is balanced again, the conversion is complete. The control logic generates the ADC output code.

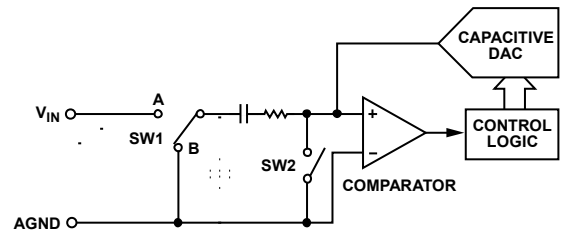


Figure 17. ADC Conversion Phase



## ANALOG INPUTS

Each ADC in the AD7366-5/AD7367-5 has two single-ended analog inputs. Figure 18 shows the equivalent circuit of the analog input structure of the AD7366-5/AD7367-5. The two diodes provide ESD protection. Care must be taken to ensure that the analog input signals never exceed the supply rails by more than 300 mV. Otherwise, these diodes become forward-biased and start conducting current into the substrate. The diodes can conduct up to 10 mA without causing irreversible damage to the part. The resistors are lumped components made up of the on resistance of the switches. The value of these resistors is typically 170 Ω. Capacitor C1 can primarily be attributed to pin capacitance while Capacitor C2 is the sampling capacitor of the ADC. The total lumped capacitance of C1 and C2 is approximately 9 pF for the ±10 V input range and approximately 13 pF for all other input ranges.

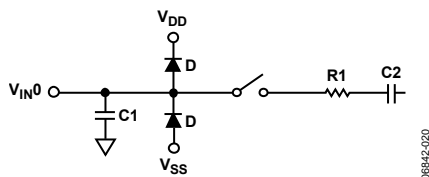


Figure 18. Equivalent Analog Input Structure

The AD7366-5/AD7367-5 can handle true bipolar input voltages. The analog input can be set to one of three ranges: ±10 V, ±5 V, or 0 V to +10 V. The logic levels on Pin RANGE0 and Pin RANGE1 determine which input range is selected as outlined in Table 8. These range bits should not be changed during the acquisition time prior to a conversion, but can change at any other time.

Table 8. Analog Input Range Selection

| RANGE0 | RANGE1 | Range Selected |
|--------|--------|----------------|
| 0      | 0      | ±10 V          |
| 1      | 0      | ±5 V           |
| 0      | 1      | 0 V to +10 V   |
| 1      | 1      | Do not program |

The parts require  $V_{DD}$  and  $V_{SS}$  dual supplies for the high voltage analog input structures. These supplies must be greater than or equal to ±5 V (see Table 7 for the requirements on these supplies). The AD7366-5/AD7367-5 require a low voltage 4.75 V to 5.25 V  $AV_{CC}$  supply to power the ADC core, a 4.75 V to 5.25 V  $DV_{CC}$  supply for digital power, and a 2.7 V to 5.25 V  $V_{DRIVE}$  supply for interface power.

Channel selection is made via the ADDR pin as shown in Table 9. The logic level on the ADDR pin is latched on the rising edge of the BUSY signal for the next conversion, not the one in progress. When power is first supplied to the AD7366-5/AD7367-5, the default channel selection is  $V_{A1}$  and  $V_{B1}$ .

Table 9. Channel Selection

| ADDR | Channels Selected |
|------|-------------------|
| 0    | $V_{A1}, V_{B1}$  |
| 1    | $V_{A2}, V_{B2}$  |

## TRANSFER FUNCTION

The output coding of the AD7366-5/AD7367-5 is twos complement. The designed code transitions occur at successive integer LSB values (that is, 1 LSB, 2 LSB, and so on). The LSB size is dependent on the analog input range selected (see Table 10). The ideal transfer characteristic is shown in Figure 19.

Table 10. LSB Sizes for Each Analog Input Range

| Input Range  | AD7366-5         |               | AD7367-5         |               |
|--------------|------------------|---------------|------------------|---------------|
|              | Full-Scale Range | LSB Size (mV) | Full-Scale Range | LSB Size (mV) |
| ±10 V        | 20 V/4096        | 4.88          | 20 V/16384       | 1.22          |
| ±5 V         | 10 V/4096        | 2.44          | 10 V/16384       | 0.61          |
| 0 V to +10 V | 10 V/4096        | 2.44          | 10 V/16384       | 0.61          |

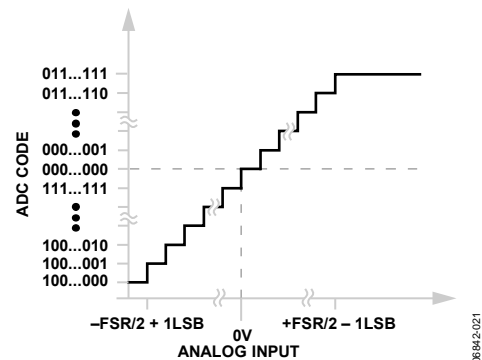


Figure 19. Transfer Characteristic

## Track-and-Hold

The track-and-hold on the analog input of the AD7366-5/AD7367-5 allows the ADC to accurately convert an input sine wave of full-scale amplitude to 12-/14-bit accuracy. The input bandwidth of the track-and-hold is greater than the Nyquist rate of the ADC. The AD7366-5/AD7367-5 can handle frequencies up to 35 MHz.

The track-and-hold enters its tracking mode once the BUSY signal goes low after the  $\overline{CS}$  falling edge. The time required to acquire an input signal depends on how quickly the sampling capacitor is charged. With zero source impedance, 140 ns is sufficient to acquire the signal to the 12-bit level for the AD7366-5 and the 14-bit level for the AD7367-5. The acquisition time for the ±10 V, ±5 V, and 0 V to +10 V ranges to settle to within ±½ LSB is typically 140 ns. The ADC goes back into hold mode on the falling edge of  $\overline{CNVST}$ .

The acquisition time required is calculated using the following formula:

$$t_{ACQ} = 10 \times ((R_{SOURCE} + R) \times C)$$

where:

C is the sampling capacitance.

R is the resistance seen by the track-and-hold amplifier looking at the input.

$R_{SOURCE}$  should include any extra source impedance on the analog input.

# AD7366-5/AD7367-5

Unlike other bipolar ADCs, the AD7366-5/AD7367-5 do not have a resistive analog input structure. On the AD7366-5/AD7367-5, the bipolar analog signal is sampled directly onto the sampling capacitor. This gives the devices high analog input impedance. The analog input impedance can be calculated from the following formula:

$$Z = 1/(f_s \times C_s)$$

where:

$f_s$  is the sampling frequency.

$C_s$  is the sampling capacitor value.

$C_s$  depends on the analog input range chosen (see the Analog Inputs section). When operating at 500 kSPS, the analog input impedance is typically 260 k $\Omega$  for the  $\pm 10$  V range. As the sampling frequency is reduced, the analog input impedance further increases. As the analog input impedance increases, the current required to drive the analog input therefore, decreases (see Figure 7 for more information).

## TYPICAL CONNECTION DIAGRAM

Figure 20 shows a typical connection diagram for the AD7366-5/AD7367-5. In this configuration, the AGND pin is connected to the analog ground plane of the system, and the DGND pin is connected to the digital ground plane of the system. The analog inputs on the AD7366-5/AD7367-5 accept bipolar single-ended signals. The AD7366-5/AD7367-5 can operate with either an internal or an external reference. In Figure 20, the AD7366-5/AD7367-5 is configured to operate with the internal 2.5 V reference. A 680 nF decoupling capacitor is required when operating with the internal reference.

The AV<sub>CC</sub> and DV<sub>CC</sub> pins are connected to a 5 V supply voltage. The V<sub>DD</sub> and V<sub>SS</sub> are the dual supplies for the high voltage analog input structures. The voltage on these pins must be greater than or equal to  $\pm 5$  V (see Table 7 for more information). The V<sub>DRIVE</sub> pin is connected to the supply voltage of the microprocessor. The voltage applied to the V<sub>DRIVE</sub> input controls the voltage of the serial interface. V<sub>DRIVE</sub> can be set to 3 V or 5 V.

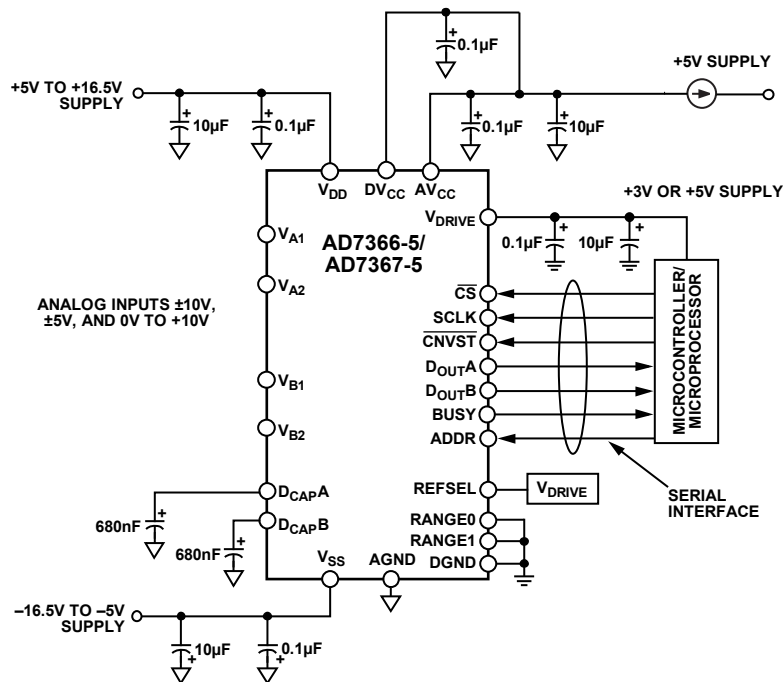


Figure 20. Typical Connection Diagram for  $\pm 10$  V Range Using Internal Reference

08842-022



## MODES OF OPERATION

The mode of operation for the AD7366-5/AD7367-5 is selected by the (logic) state of the  $\overline{\text{CNVST}}$  signal at the end of a conversion. There are two possible modes of operation: normal mode and shutdown mode. These modes of operation are designed to provide flexible power management options, which can be chosen to optimize the power dissipation/throughput rate ratio for differing application requirements.

### NORMAL MODE

Normal mode is intended for applications needing fast throughput rates because the user does not have to worry about any power-up times (with the AD7366-5/AD7367-5 remaining fully powered at all times). Figure 22 shows the normal mode of operation for the AD7366-5, while Figure 23 illustrates normal mode for the AD7367-5.

The conversion is initiated on the falling edge of  $\overline{\text{CNVST}}$  as described in the Circuit Information section. To ensure that the part remains fully powered up at all times,  $\overline{\text{CNVST}}$  must be at a logic high state prior to the  $\overline{\text{BUSY}}$  signal going low. If  $\overline{\text{CNVST}}$  is at a logic low state when the  $\overline{\text{BUSY}}$  signal goes low, the analog circuitry powers down and the part ceases converting.

The  $\overline{\text{BUSY}}$  signal remains high for the duration of the conversion. The  $\overline{\text{CS}}$  pin must be brought low to bring the data bus out of three-state; subsequently 12 SCLK cycles are required to read the conversion result from the AD7366-5, while 14 SCLK cycles are required to read from the AD7367-5. The  $\overline{\text{DOUT}}$  lines return to three-state only when  $\overline{\text{CS}}$  is brought high. If  $\overline{\text{CS}}$  is left low for a further 12 SCLK cycles for the AD7366-5 or 14 SCLK cycles for the AD7367-5, the result from the other on-chip ADC is also accessed on the same  $\overline{\text{DOUT}}$  line, as shown in Figure 27 and Figure 28 (see the Serial Interface section).

After 24 SCLK cycles have elapsed for the AD7366-5 and 28 SCLK cycles have elapsed for the AD7367-5, the  $\overline{\text{DOUT}}$  line returns to three-state when  $\overline{\text{CS}}$  is brought high (not on the 24<sup>th</sup> or 28<sup>th</sup> SCLK falling edge). If  $\overline{\text{CS}}$  is brought high prior to this, the  $\overline{\text{DOUT}}$  line returns to three-state at that point. Thus,  $\overline{\text{CS}}$  must be brought high once the read is completed because the bus does not automatically return to three-state upon completion of the dual result read.

Once a data transfer is complete and  $\overline{\text{DOUTA}}$  and  $\overline{\text{DOUTB}}$  have returned to three-state, another conversion can be initiated after the quiet time,  $t_{\text{QUIET}}$ , has elapsed by bringing  $\overline{\text{CNVST}}$  low again.

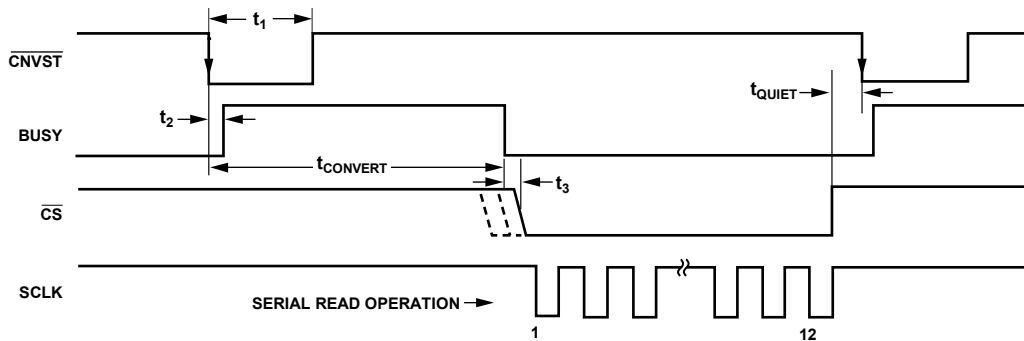


Figure 22. Normal Mode Operation for the AD7366-5

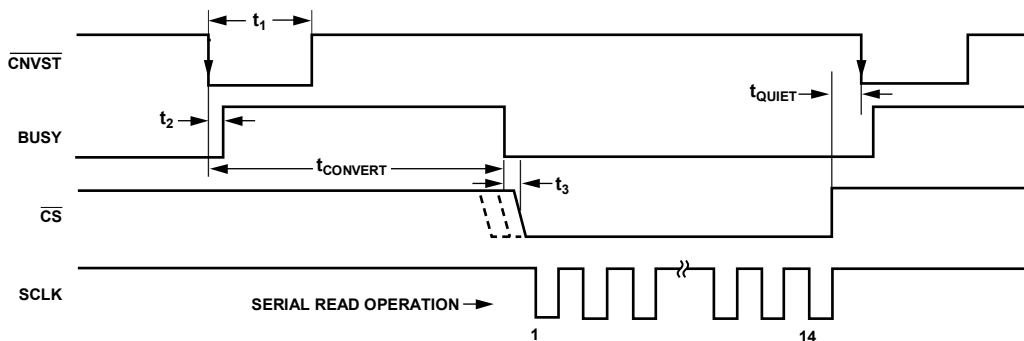


Figure 23. Normal Mode Operation for the AD7367-5

## SHUTDOWN MODE

Shutdown mode is intended for use in applications where slow throughput rates are required. Shutdown mode is suited to applications where a series of conversions performed at a relatively high throughput rate are followed by a long period of inactivity and, thus, shutdown. When the AD7366-5/AD7367-5 are in full power-down, all analog circuitry is powered down.

The falling edge of  $\overline{\text{CNVST}}$  initiates the conversion. The  $\text{BUSY}$  output subsequently goes high to indicate that the conversion is in progress. Once the conversion is completed, the  $\text{BUSY}$  output returns low. If the  $\overline{\text{CNVST}}$  signal is at logic low when  $\text{BUSY}$  goes low, the part enters shutdown at the end of the conversion phase. While the part is in shutdown mode, the digital output code from the last conversion on each ADC can still be read from the  $\text{D}_{\text{OUT}}$  pins. To read the  $\text{D}_{\text{OUT}}$  data,  $\overline{\text{CS}}$  must be brought low as described in the Serial Interface section. The  $\text{D}_{\text{OUT}}$  pins return to three-state once  $\overline{\text{CS}}$  is brought back to logic high.

To exit full power-down and to power up the AD7366-5/AD7367-5, a rising edge of  $\overline{\text{CNVST}}$  is required. After the required power-up time has elapsed,  $\overline{\text{CNVST}}$  may be brought low again to initiate another conversion, as shown in Figure 24

## POWER-UP TIMES

As described in the Shutdown Mode section, the AD7366-5/AD7367-5 have one power-down mode. This section deals with the power-up time required when coming out of this mode. It should be noted that these power-up times apply with the recommended capacitors in place on the  $\text{D}_{\text{CAPA}}$  and  $\text{D}_{\text{CAPB}}$  pins. To power up from shutdown,  $\overline{\text{CNVST}}$  must be brought high and remain high for a minimum of 70  $\mu\text{s}$ , as shown in Figure 24.

When power supplies are first applied to the AD7366-5/AD7367-5, the ADC can power up with  $\overline{\text{CNVST}}$  in either the low or high logic state. Before attempting a valid conversion,  $\overline{\text{CNVST}}$  must be brought high and remain high for the recommended power-up time of 70  $\mu\text{s}$ .  $\overline{\text{CNVST}}$  can then be brought low to initiate a conversion. With the AD7366-5/AD7367-5, no dummy conversion is required before valid data can be read from the  $\text{D}_{\text{OUT}}$  pins.

If it is intended to place the part in shutdown mode when the supplies are first applied, the AD7366-5/AD7367-5 must be powered up, and a conversion initiated. However,  $\overline{\text{CNVST}}$  should remain in the logic low state, and when the  $\text{BUSY}$  signal goes low, the part enters shutdown.

Once supplies are applied to the AD7366-5/AD7367-5, sufficient time must be allowed for any external reference to power up and to charge the various reference buffer decoupling capacitors to their final values.

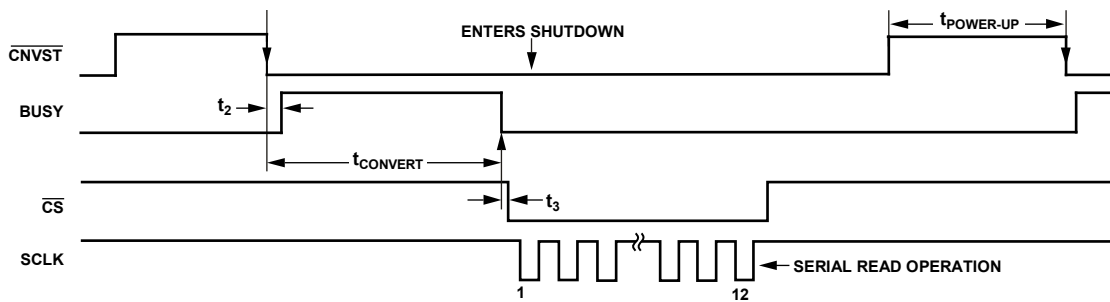


Figure 24. Autosutdown Mode for AD7366-5

06842-026

## SERIAL INTERFACE

Figure 25 and Figure 26 show the detailed timing diagram for serial interfacing to the AD7366-5 and the AD7367-5. On the falling edge of  $\overline{\text{CNVST}}$ , the AD7366-5/AD7367-5 simultaneously convert the selected channels. These conversions are performed using the on-chip oscillator. After the falling edge of  $\overline{\text{CNVST}}$ , the BUSY signal goes high, indicating that the conversion has started. The BUSY signal returns low when the conversion has been completed. The data can now be read from the  $\text{D}_{\text{OUT}}$  pins.

The  $\overline{\text{CS}}$  and SCLK signals are required to transfer data from the AD7366-5/AD7367-5. The AD7366-5/AD7367-5 have two output pins corresponding to each ADC. Data can be read from the AD7366-5/AD7367-5 using both  $\text{D}_{\text{OUTA}}$  and  $\text{D}_{\text{OUTB}}$ . Alternatively, a single output pin of the user's choice can be used. The SCLK input signal provides the clock source for the serial interface. The  $\overline{\text{CS}}$  goes low to access data from the AD7366-5/AD7367-5. The falling edge of  $\overline{\text{CS}}$  takes the bus out of three-state and clocks out the MSB of the conversion result. The data stream consists of 12 bits of data for the AD7366-5 and 14 bits of data for the AD7367-5, MSB first. The first bit of the conversion result is valid on the first SCLK falling edge after the  $\overline{\text{CS}}$  falling edge. The subsequent 11-bits/ 13-bits of data for the AD7366-5/AD7367-5, respectively, are clocked out on the falling edge of the SCLK signal. A minimum of 12 clock pulses must be provided to the AD7366-5 to access each conversion result, and a minimum of 14 clock pulses must be provided to the AD7367-5 to access the conversion result. Figure 25 shows how a 12 SCLK read is used to access the conversion results for the AD7366-5, and Figure 26 illustrates the case for the AD7367-5 with a 14 SCLK read.

On the rising edge of  $\overline{\text{CS}}$ , the conversion is terminated, and  $\text{D}_{\text{OUTA}}$  and  $\text{D}_{\text{OUTB}}$  return to three-state. If  $\overline{\text{CS}}$  is not brought high but is instead held low for an additional 14 SCLK cycles, the data from the other  $\text{D}_{\text{OUT}}$  pin follows on the selected  $\text{D}_{\text{OUT}}$  pin. Note that the second serial result from the AD7366-5 is preceded by two zeros. See Figure 27 and Figure 28, where  $\text{D}_{\text{OUTA}}$  is shown. In this case, the  $\text{D}_{\text{OUT}}$  line in use returns to three-state on the rising edge of  $\overline{\text{CS}}$ .

If the falling edge of SCLK coincides with the falling edge of  $\overline{\text{CS}}$ , the falling edge of SCLK is not acknowledged by the AD7366-5/AD7367-5, and the next falling edge of SCLK is the first registered after the falling edges of the  $\overline{\text{CS}}$ .

The  $\overline{\text{CS}}$  pin can be brought low before the BUSY signal goes low, indicating the end of a conversion. When  $\overline{\text{CS}}$  is at a logic low state, the data bus is brought out of three-state. This feature can be used to ensure that the MSB is valid on the falling edge of BUSY by bringing  $\overline{\text{CS}}$  low a minimum of  $t_4$  before the BUSY signal goes low. The dotted  $\overline{\text{CS}}$  line in Figure 22 and Figure 23 illustrates this feature.

Alternatively, the  $\overline{\text{CS}}$  pin can be tied to a low logic state continuously. In this case, the  $\text{D}_{\text{OUT}}$  pins never enter three-state, and the data bus is continuously active. Under these conditions, the MSB of the conversion result for the AD7366-5/AD7367-5 is available on the falling edge of the BUSY signal. The next most significant bit is available on the first SCLK falling edge after the BUSY signal has gone low. This mode of operation enables the user to read the MSB as soon as it is made available by the converter.

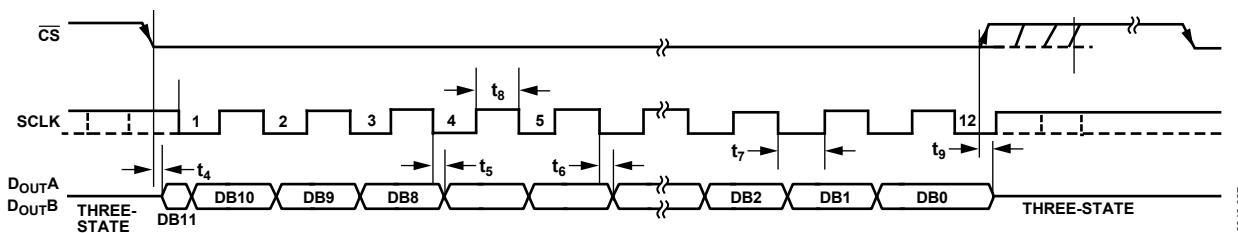


Figure 25. Serial Interface Timing Diagram for the AD7366-5

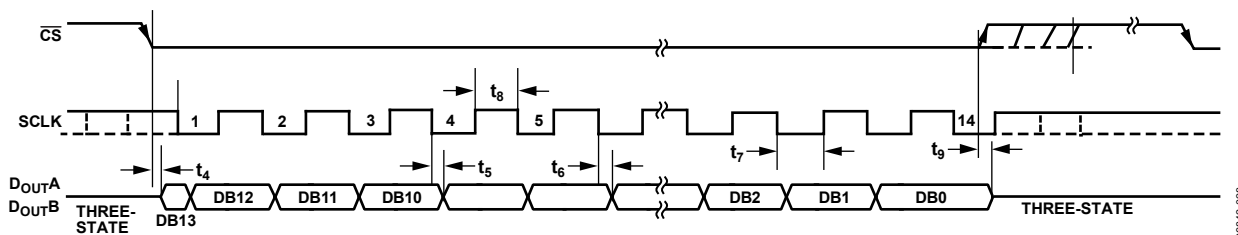


Figure 26. Serial Interface Timing Diagram for the AD7367-5

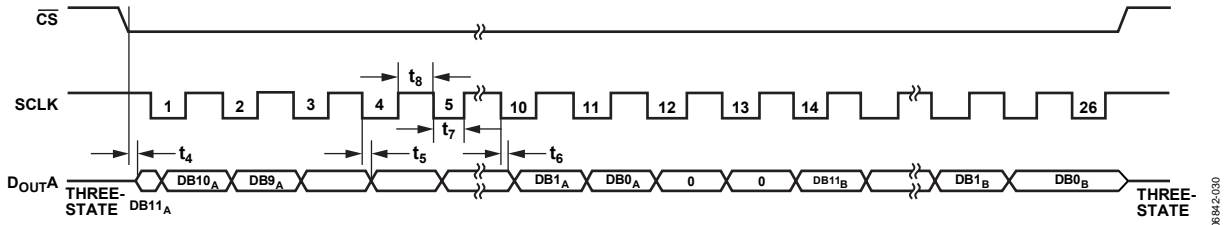


Figure 27. Reading Data from Both ADCs on One D<sub>OUT</sub> Line with 24 SCLKs for the AD7366-5

06842-030

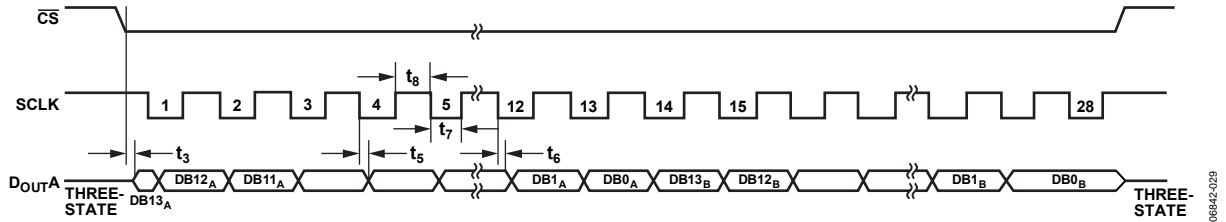


Figure 28. Reading Data from Both ADCs on One D<sub>OUT</sub> Line with 28 SCLKs for the AD7367-5

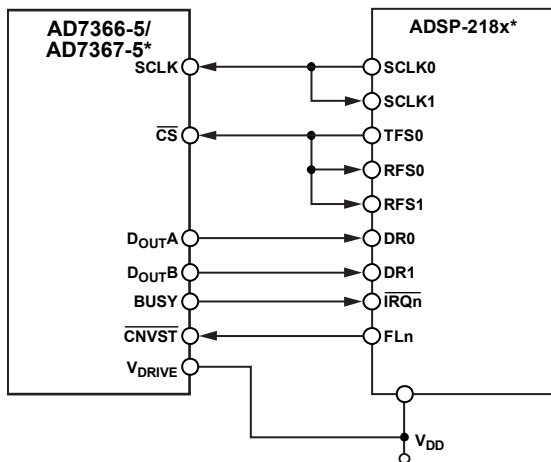
06842-029

## MICROPROCESSOR INTERFACING

The serial interface on the AD7366-5/AD7367-5 allows the parts to be directly connected to a range of different microprocessors. This section explains how to interface the AD7366-5/AD7367-5 with some more common microcontrollers and DSP serial interface protocols.

### AD7366-5/AD7367-5 TO ADSP-218x

The ADSP-218x family of DSPs interfaces directly to the AD7366-5/AD7367-5 with no glue logic required. The  $V_{DRIVE}$  pin of the AD7366-5/AD7367-5 takes the same supply voltage as that of the ADSP-218x. This allows the ADC to operate at a higher supply voltage than its serial interface and therefore, the ADSP-218x, if necessary. The connection diagram in Figure 29 shows both  $D_{OUTA}$  and  $D_{OUTB}$  of the AD7366-5/AD7367-5 connected to both serial ports of the ADSP-218x. The SPORT0 and SPORT1 control registers should be set up as shown in Table 11 and Table 12.



\*ADDITIONAL PINS OMITTED FOR CLARITY.

Figure 29. Interfacing the AD7366-5/AD7367-5 to the ADSP-218x

Table 11. SPORT0 Control Register Setup

| Setting             | Description  |
|---------------------|--|
| TFSW = RFSW = 1     | Alternate framing.   |
| INVRFS = INVTFS = 1 | Active low frame signal.                                       |
| DTYPE = 00          | Right justify data.  |
| SLEN = 1111         | 16-bit data-word (or can be set to 1101 for 14-bit data-word). |
| ISCLK = 1           | Internal serial clock.   |
| TFSR = RFSR = 1     | Frame every word.  |
| IRFS = 0            |  |
| ITFS = 1            |  |

Table 12. SPORT1 Control Register Setup

| Setting             | Description  |
|---------------------|--|
| TFSW = RFSW = 1     | Alternate framing.   |
| INVRFS = INVTFS = 1 | Active low frame signal.                                       |
| DTYPE = 00          | Right justify data.  |
| SLEN = 1111         | 16-bit data-word (or can be set to 1101 for 14-bit data-word). |
| ISCLK = 0           | External serial clock.   |
| TFSR = RFSR = 1     | Frame every word.  |
| IRFS = 0            |  |
| ITFS = 1            |  |

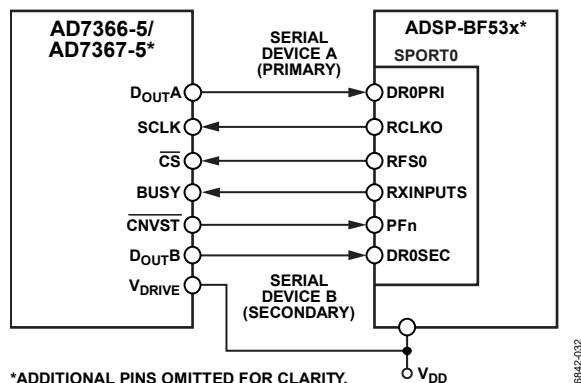
The ADSP-218x has the TFS0 and RFS0 of the SPORT0 and the RFS1 of SPORT1 tied together. TFS0 is set as an output, and both RFS0 and RFS1 are set as inputs. The DSP operates in alternate framing mode, and the SPORT control registers are set up as described in Table 11 and Table 12. The frame synchronization signal generated on the TFS0 is tied to  $\overline{CS}$ .

The AD7366-5/AD7367-5 BUSY line provides an interrupt to the ADSP-218x when the conversion is complete. The conversion results can then be read from the AD7366-5/AD7367-5 using a read operation. When an interrupt is received on  $\overline{IRQn}$  from the BUSY signal, a value is transmitted with TFS/DT (ADC control word). The TFS is used to control the RFS and, therefore, the reading of data.



## AD7366-5/AD7367-5 TO ADSP-BF53x

The ADSP-BF53x family of DSPs interfaces directly to the AD7366-5/AD7367-5 with no glue logic required. The availability of secondary receive registers on the serial ports of the Blackfin® DSPs means that only one serial port is necessary to read from both D<sub>OUT</sub>A and D<sub>OUT</sub>B pins simultaneously. Figure 30 shows D<sub>OUT</sub>A and D<sub>OUT</sub>B of the AD7366-5/AD7367-5 connected to Serial Port 0 of the ADSP-BF53x. The SPORT0 Receive Configuration 1 register and SPORT0 Receive Configuration 2 register should be set up as outlined in Table 13 and Table 14.



\*ADDITIONAL PINS OMITTED FOR CLARITY.  
Figure 30. Interfacing the AD7366-5/AD7367-5 to the ADSP-BF53x

**Table 13. SPORT0 Receive Configuration 1 Register (SPORT0\_RCR1) Setup**

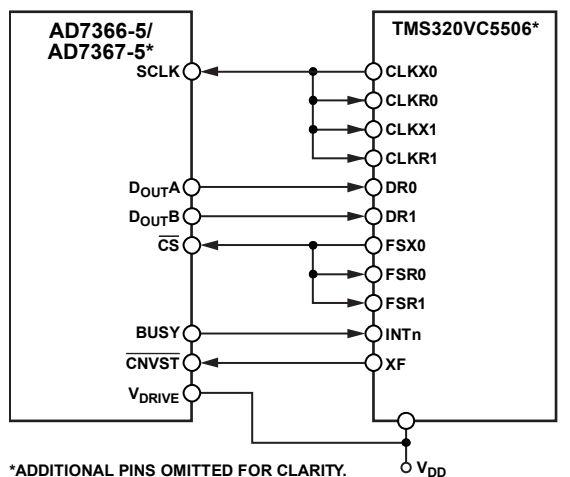
| Setting         | Description  |
|-----------------|--|
| RCKFE = 1       | Sample data with falling edge of RSCLK.                        |
| LRFS = 1        | Active low frame signal.                                       |
| RFSR = 1        | Frame every word.  |
| IRFS = 1        | Internal RFS used.   |
| RLSBIT = 0      | Receive MSB first.   |
| RDTYPE = 00     | Zero fill.   |
| IRCLK = 1       | Internal receive clock.  |
| RSPEN = 1       | Receive enabled.   |
| SLEN = 1111     | 16-bit data-word (or can be set to 1101 for 14-bit data-word). |
| TFSR = RFSR = 1 |  |

**Table 14. SPORT0 Receive Configuration 2 Register (SPORT0\_RCR2) Setup**

| Setting     | Description  |
|-------------|--|
| RXSE = 1    | Secondary side enabled.  |
| SLEN = 1111 | 16-bit data-word (or can be set to 1101 for 14-bit data-word). |

## AD7366-5/AD7367-5 TO TMS320VC5506

The serial interface on the TMS320VC5506 uses a continuous serial clock and frame synchronization signals to synchronize the data transfer operations with peripheral devices like the AD7366-5/AD7367-5. The CS input allows easy interfacing between the TMS320VC5506 and the AD7366-5/AD7367-5 with no glue logic required. The serial ports of the TMS320VC5506 are set up to operate in burst mode with internal CLKX0 (Tx serial clock on Serial Port 0) and FSX0 (Tx frame sync from Serial Port 0). The connection diagram is shown in Figure 31. The serial port control registers (SPC) must be setup as shown in Table 15.



\*ADDITIONAL PINS OMITTED FOR CLARITY.  
Figure 31. Interfacing the AD7366-5/AD7367-5 to the TMS320VC5506

**Table 15. Serial Port Control Register Setup**

| SPC  | FO | FSM | MCM | TXM |
|------|----|-----|-----|-----|
| SPC0 | 0  | 1   | 1   | 1   |
| SPC1 | 0  | 1   | 0   | 0   |

The V<sub>DRIVE</sub> pin of the AD7366-5/AD7367-5 takes the same supply voltage as that of the TMS320VC5506. This allows the ADC to operate at a higher voltage than its serial interface and, therefore, the TMS320VC5506, if necessary.

As with the previous interfaces, conversion can be initiated from the TMS320VC5506 or from an external source, and the processor is interrupted when the conversion sequence is complete.

# AD7366-5/AD7367-5

## AD7366-5/AD7367-5 TO DSP563xx

The connection diagram in Figure 32 shows how the AD7366-5/AD7367-5 can be connected to the enhanced synchronous serial interface (ESSI) of the DSP563xx family of DSPs from Motorola. There are two on-board ESSIs, and each is operated in synchronous mode (Bit SYN = 1 in the CRB register) with internally generated word length frame sync for both Tx and Rx (Bit FSL1 = 0 and Bit FSL0 = 0 in the CRB register).

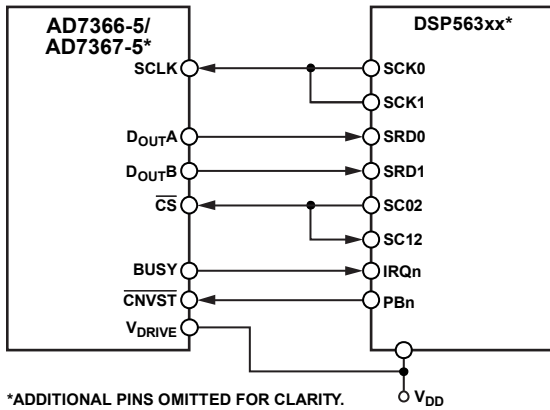


Figure 32. Interfacing the AD7366-5/AD7367-5 to the DSP563xx

Normal operation of the ESSI is selected by making MOD = 0 in the CRB register. Set the word length to 16 by setting Bit WL1 = 1 and Bit WL0 = 0 in the CRA register. The FSP bit in the CRB register should be set to 1 so that the frame sync is negative.

In Figure 32, the serial clock is taken from the ESSI0 so the SCK0 pin must be set as an output (SCKD = 1) while the SCK1 pin is set as an input (SCKD = 0). The frame sync signal is taken from SC02 on ESSI0, so SCD2 = 1, while on ESSI1, SCD2 = 0; therefore, SC12 is configured as an input. The V<sub>DRIVE</sub> pin of the AD7366-5/AD7367-5 takes the same supply voltage as that of the DSP563xx. This allows the ADC to operate at a higher voltage than its serial interface and, therefore, the DSP563xx, if necessary.

## APPLICATION HINTS

### LAYOUT AND GROUNDING

The printed circuit board that houses the AD7366-5/AD7367-5 should be designed so that the analog and digital sections are confined to their own separate areas of the board. This design facilitates the use of ground planes that can be easily separated.

To provide optimum shielding for ground planes, a minimum etch technique is generally the best option. All AGND pins on the AD7366-5/AD7367-5 should be connected to the AGND plane. Digital and analog ground pins should be joined in only one place. If the AD7366-5/AD7367-5 are in a system where multiple devices require an AGND and DGND connection, the connection should still be made at only one point. A star point should be established as close as possible to the ground pins on the AD7366-5/AD7367-5.

Good connections should be made to the power and ground planes. This can be done with a single via or multiple vias for each supply and ground pin.

Avoid running digital lines under the AD7366-5/AD7367-5 devices because this couples noise onto the die. However, the analog ground plane should be allowed to run under the AD7366-5/AD7367-5 to avoid noise coupling. The power supply lines to the AD7366-5/AD7367-5 should use as large a trace as possible to provide low impedance paths and reduce the effects of glitches on the power supply line.

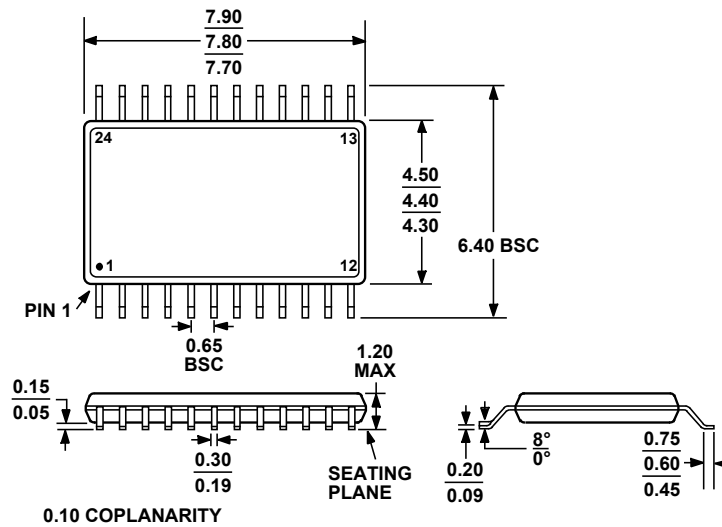
To avoid radiating noise to other sections of the board, components such as clocks with fast switching signals, should be shielded with digital ground and should never be run near the analog inputs. Avoid crossover of digital and analog signals. To reduce the effects of feedthrough within the board, traces should be run at right angles to each other. A microstrip technique is the best method, but its use may not be possible with a double-sided board. In this technique, the component side of the board is dedicated to ground planes, and signals are placed on the other side.

Good decoupling is also important. All analog supplies should be decoupled with 10  $\mu\text{F}$  tantalum capacitors in parallel with 0.1  $\mu\text{F}$  capacitors to AGND. To achieve the best results from these decoupling components, they must be placed as close as possible to the device, ideally right up against the device. The 0.1  $\mu\text{F}$  capacitors should have a low effective series resistance (ESR) and low effective series inductance (ESI), such as is typical of common ceramic and surface mount types of capacitors. These low ESR, low ESI capacitors provide a low impedance path to ground at high frequencies to handle transient currents due to internal logic switching.

### EVALUATING THE AD7366-5/AD7367-5

Evaluation boards for the [AD7366](#) and [AD7367](#), the EVAL-AD7366CBZ and EVAL-AD7367CBZ, can also be used to evaluate the performance of the AD7366-5 and AD7367-5, respectively. These evaluation boards can be used in conjunction with EVAL-CONTROL BRD2 to provide a full-featured evaluation platform.

OUTLINE DIMENSIONS



COMPLIANT TO JEDEC STANDARDS MO-153-AD

Figure 33. 24-Lead Thin Shrink Small Outline Package [TSSOP] (RU-24)

Dimensions shown in millimeters

ORDERING GUIDE

| Model <sup>1</sup> | Temperature Range | Package Description                               | Package Option |
|--------------------|-------------------|---|----------------|
| AD7366BRUZ-5       | -40°C to +85°C    | 24-Lead Thin Shrink Small Outline Package [TSSOP] | RU-24          |
| AD7366BRUZ-5-RL7   | -40°C to +85°C    | 24-Lead Thin Shrink Small Outline Package [TSSOP] | RU-24          |
| AD7366BRUZ-5500RL7 | -40°C to +85°C    | 24-Lead Thin Shrink Small Outline Package [TSSOP] | RU-24          |
| AD7367BRUZ-5       | -40°C to +85°C    | 24-Lead Thin Shrink Small Outline Package [TSSOP] | RU-24          |
| AD7367BRUZ-5-RL7   | -40°C to +85°C    | 24-Lead Thin Shrink Small Outline Package [TSSOP] | RU-24          |
| AD7367BRUZ-5500RL7 | -40°C to +85°C    | 24-Lead Thin Shrink Small Outline Package [TSSOP] | RU-24          |

<sup>1</sup> Z = RoHS Compliant Part.



## Стандарт Электрон Связь

Мы молодая и активно развивающаяся компания в области поставок электронных компонентов. Мы поставляем электронные компоненты отечественного и импортного производства напрямую от производителей и с крупнейших складов мира.

Благодаря сотрудничеству с мировыми поставщиками мы осуществляем комплексные и плановые поставки широчайшего спектра электронных компонентов.

Собственная эффективная логистика и склад в обеспечивает надежную поставку продукции в точно указанные сроки по всей России.

Мы осуществляем техническую поддержку нашим клиентам и предпродажную проверку качества продукции. На все поставляемые продукты мы предоставляем гарантию .

Осуществляем поставки продукции под контролем ВП МО РФ на предприятия военно-промышленного комплекса России , а также работаем в рамках 275 ФЗ с открытием отдельных счетов в уполномоченном банке. Система менеджмента качества компании соответствует требованиям ГОСТ ISO 9001.

Минимальные сроки поставки, гибкие цены, неограниченный ассортимент и индивидуальный подход к клиентам являются основой для выстраивания долгосрочного и эффективного сотрудничества с предприятиями радиоэлектронной промышленности, предприятиями ВПК и научно-исследовательскими институтами России.

С нами вы становитесь еще успешнее!

### Наши контакты:

**Телефон:** +7 812 627 14 35

**Электронная почта:** [sales@st-electron.ru](mailto:sales@st-electron.ru)

**Адрес:** 198099, Санкт-Петербург,  
Промышленная ул, дом № 19, литера Н,  
помещение 100-Н Офис 331