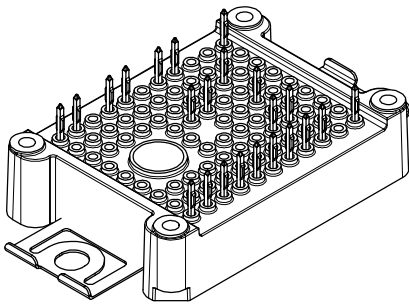
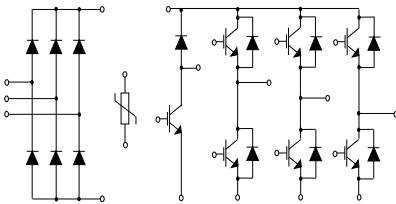


ACEPACK™ 1 converter inverter brake, 1200 V, 15 A, trench gate field-stop M series IGBT with soft diode and NTC


ACEPACK™ 1


Features

- ACEPACK™ 1 power module
 - DBC Cu Al₂O₃ Cu
- Converter inverter brake topology
 - 1600 V, very low drop rectifiers for converter
 - 1200 V, 15 A IGBTs and diodes
 - Soft and fast recovery diode
- Integrated NTC

Applications

- Inverters
- Motor drives

Description

This power module is a converter-inverter brake (CIB) topology in an ACEPACK™ 1 package with NTC, integrating the advanced trench gate field-stop technology from STMicroelectronics. This new IGBT technology represents the best compromise between conduction and switching loss, to maximize the efficiency of any converter system up to 20 kHz.



Product status link

[A1C15S12M3-F](#)

Product summary

Order code	A1C15S12M3-F
Marking	A1C15S12M3-F
Package	ACEPACK™ 1
Leads type	Press fit contact pins

1 Electrical ratings

1.1 Inverter stage

Limiting values at $T_J = 25\text{ °C}$, unless otherwise specified.

1.1.1 IGBTs

Table 1. Absolute maximum ratings of the IGBTs, inverter stage

Symbol	Description	Value	Unit
V_{CES}	Collector-emitter voltage ($V_{GE} = 0$)	1200	V
I_C	Continuous collector current at $T_C = 100\text{ °C}$	15	A
$I_{CP}^{(1)}$	Pulsed collector current ($t_p = 1\text{ ms}$)	30	A
V_{GE}	Gate-emitter voltage	± 20	V
P_{TOT}	Total power dissipation of each IGBT ($T_C = 25\text{ °C}$, $T_J = 175\text{ °C}$)	142.8	W
T_{JMAX}	Maximum junction temperature	175	$^{\circ}\text{C}$
T_{Jop}	Operating junction temperature range under switching conditions	-40 to 150	$^{\circ}\text{C}$

1. Pulse width limited by maximum junction temperature.

Table 2. Electrical characteristics of the IGBTs, inverter stage

Symbol	Parameter	Test conditions	Min.	Typ.	Max.	Unit	
$V_{(BR)CES}$	Collector-emitter breakdown voltage	$I_C = 1\text{ mA}$, $V_{GE} = 0\text{ V}$	1200			V	
$V_{CE(sat)}$ (terminal)	Collector-emitter saturation voltage	$V_{GE} = 15\text{ V}$, $I_C = 15\text{ A}$		1.95	2.45	V	
		$V_{GE} = 15\text{ V}$, $I_C = 15\text{ A}$, $T_J = 150\text{ °C}$		2.3		V	
$V_{GE(th)}$	Gate threshold voltage	$V_{CE} = V_{GE}$, $I_C = 1\text{ mA}$	5	6	7	V	
I_{CES}	Collector cut-off current	$V_{GE} = 0\text{ V}$, $V_{CE} = 1200\text{ V}$			100	μA	
I_{GES}	Gate-emitter leakage current	$V_{CE} = 0\text{ V}$, $V_{GE} = \pm 20\text{ V}$			± 500	nA	
C_{ies}	Input capacitance	$V_{CE} = 25\text{ V}$, $f = 1\text{ MHz}$, $V_{GE} = 0\text{ V}$		985		pF	
C_{oes}	Output capacitance			118		pF	
C_{res}	Reverse transfer capacitance			40		pF	
Q_g	Total gate charge	$V_{CC} = 960\text{ V}$, $I_C = 15\text{ A}$, $V_{GE} = \pm 15\text{ V}$		71		nC	
$t_{d(on)}$	Turn-on delay time	$V_{CC} = 600\text{ V}$, $I_C = 15\text{ A}$, $R_G = 22\text{ }\Omega$, $V_{GE} = \pm 15\text{ V}$, $di/dt = 820\text{ A}/\mu\text{s}$		120		ns	
t_r	Current rise time			14.5		ns	
$E_{on}^{(1)}$	Turn-on switching energy				0.59		mJ
$t_{d(off)}$	Turn-off delay time	$V_{CC} = 600\text{ V}$, $I_C = 15\text{ A}$, $R_G = 22\text{ }\Omega$, $V_{GE} = \pm 15\text{ V}$, $dv/dt = 8200\text{ V}/\mu\text{s}$		115		ns	
t_f	Current fall time				84		ns
$E_{off}^{(2)}$	Turn-off switching energy				0.83		mJ

Symbol	Parameter	Test conditions	Min.	Typ.	Max.	Unit	
$t_{d(on)}$	Turn-on delay time	$V_{CC} = 600\text{ V}$, $I_C = 15\text{ A}$, $R_G = 22\ \Omega$, $V_{GE} = \pm 15\text{ V}$, $di/dt = 690\text{ A}/\mu\text{s}$, $T_J = 150\text{ }^\circ\text{C}$		122		ns	
t_r	Current rise time			17		ns	
$E_{on}^{(1)}$	Turn-on switching energy				1.08		mJ
$t_{d(off)}$	Turn-off delay time	$V_{CC} = 600\text{ V}$, $I_C = 15\text{ A}$, $R_G = 22\ \Omega$, $V_{GE} = \pm 15\text{ V}$, $dv/dt = 7000\text{ V}/\mu\text{s}$, $T_J = 150\text{ }^\circ\text{C}$		122		ns	
t_f	Current fall time				146		ns
$E_{off}^{(2)}$	Turn-off switching energy				1.06		mJ
t_{SC}	Short-circuit withstand time	$V_{CC} \leq 600\text{ V}$, $V_{GE} \leq 15\text{ V}$, $T_{Jstart} \leq 150\text{ }^\circ\text{C}$	10			μs	
R_{THj-c}	Thermal resistance junction-to-case	Each IGBT		0.95	1.05	$^\circ\text{C}/\text{W}$	
R_{THc-h}	Thermal resistance case-to-heatsink	Each IGBT, $\lambda_{grease} = 1\text{ W}/(\text{m}\cdot^\circ\text{C})$		0.90		$^\circ\text{C}/\text{W}$	

1. Including the reverse recovery of the diode.
2. Including the tail of the collector current.

1.1.2 Diode

 Limiting values at $T_J = 25\text{ °C}$, unless otherwise specified.

Table 3. Absolute maximum ratings of the diode, inverter stage

Symbol	Parameter	Value	Unit
V_{RRM}	Repetitive peak reverse voltage	1200	V
I_F	Continuous forward current ($T_C = 100\text{ °C}$)	15	A
$I_{FP}^{(1)}$	Pulsed forward current ($t_p = 1\text{ ms}$)	30	A
T_{JMAX}	Maximum junction temperature	175	°C
T_{Jop}	Operating junction temperature range under switching conditions	-40 to 150	°C

1. Pulse width limited by maximum junction temperature.

Table 4. Electrical characteristics of the diode, inverter stage

Symbol	Parameter	Test conditions	Min.	Typ.	Max.	Unit		
V_F (terminal)	Forward voltage	$I_F = 15\text{ A}$	-	3.0	3.8	V		
		$I_F = 15\text{ A}, T_J = 150\text{ °C}$	-	2.1				
t_{rr}	Reverse recovery time	$I_F = 15\text{ A}, V_R = 600\text{ V},$ $V_{GE} = \pm 15\text{ V}, di_F/dt = 820\text{ A}/\mu\text{s}$	-	190		ns		
Q_{rr}	Reverse recovery charge		-	1.45		μC		
I_{rrm}	Reverse recovery current		-	23		A		
E_{rec}	Reverse recovery energy		-	0.55		mJ		
t_{rr}	Reverse recovery time	$I_F = 15\text{ A}, V_R = 600\text{ V},$ $V_{GE} = \pm 15\text{ V}, di_F/dt = 690\text{ A}/\mu\text{s},$ $T_J = 150\text{ °C}$	-	400		ns		
			Q_{rr}	Reverse recovery charge	-	2.75		μC
			I_{rrm}	Reverse recovery current	-	25		A
			E_{rec}	Reverse recovery energy	-	1.2		mJ
R_{THj-c}	Thermal resistance junction-to-case	Each diode	-	1.60	1.75	°C/W		
R_{THc-h}	Thermal resistance case-to-heatsink	Each diode, $\lambda_{grease} = 1\text{ W}/(\text{m}\cdot\text{°C})$	-	1.15		°C/W		

1.2 Brake stage

Limiting values at $T_J = 25\text{ °C}$, unless otherwise specified.

1.2.1 IGBT

Table 5. Absolute maximum ratings of the IGBT, brake stage

Symbol	Parameter	Value	Unit
V_{CES}	Collector-emitter voltage ($V_{GE} = 0$)	1200	V
I_C	Continuous collector current ($T_C = 100\text{ °C}$)	15	A
$I_{CP}^{(1)}$	Pulsed collector current ($t_p = 1\text{ ms}$)	30	A
V_{GE}	Gate-emitter voltage	± 20	V
P_{TOT}	Total power dissipation of each IGBT ($T_C = 25\text{ °C}$, $T_J = 175\text{ °C}$)	142.8	W
T_{JMAX}	Maximum junction temperature	175	$^{\circ}\text{C}$
T_{Jop}	Operating junction temperature range under switching conditions	-40 to 150	$^{\circ}\text{C}$

1. Pulse width limited by maximum junction temperature.

Table 6. Electrical characteristics of the IGBT, brake stage

Symbol	Parameter	Test conditions	Min.	Typ.	Max.	Unit	
$V_{(BR)CES}$	Collector-emitter breakdown voltage	$I_C = 1\text{ mA}$, $V_{GE} = 0\text{ V}$	1200			V	
$V_{CE(sat)}$ (terminal)	Collector-emitter saturation voltage	$V_{GE} = 15\text{ V}$, $I_C = 15\text{ A}$		1.95	2.45	V	
		$V_{GE} = 15\text{ V}$, $I_C = 15\text{ A}$, $T_J = 150\text{ °C}$		2.3			
$V_{GE(th)}$	Gate threshold voltage	$V_{CE} = V_{GE}$, $I_C = 1\text{ mA}$	5	6	7	V	
I_{CES}	Collector cut-off current	$V_{GE} = 0\text{ V}$, $V_{CE} = 1200\text{ V}$			100	μA	
I_{GES}	Gate-emitter leakage current	$V_{CE} = 0\text{ V}$, $V_{GE} = \pm 20\text{ V}$			± 500	nA	
C_{ies}	Input capacitance	$V_{CE} = 25\text{ V}$, $f = 1\text{ MHz}$, $V_{GE} = 0\text{ V}$		985		pF	
C_{oes}	Output capacitance			118		pF	
C_{res}	Reverse transfer capacitance			40		pF	
Q_g	Total gate charge	$V_{CC} = 960\text{ V}$, $I_C = 15\text{ A}$, $V_{GE} = \pm 15\text{ V}$		71		nC	
$t_{d(on)}$	Turn-on delay time	$V_{CC} = 600\text{ V}$, $I_C = 15\text{ A}$, $R_G = 22\text{ }\Omega$, $V_{GE} = \pm 15\text{ V}$,		120		ns	
t_r	Current rise time		$di/dt = 820\text{ A}/\mu\text{s}$		14.5		ns
$E_{on}^{(1)}$	Turn-on switching energy			0.59		mJ	
$t_{d(off)}$	Turn-off delay time	$V_{CC} = 600\text{ V}$, $I_C = 15\text{ A}$, $R_G = 22\text{ }\Omega$, $V_{GE} = \pm 15\text{ V}$,		115		ns	
t_f	Current fall time		$dv/dt = 8200\text{ V}/\mu\text{s}$		84		ns
$E_{off}^{(2)}$	Turn-off switching energy			0.83		mJ	
$t_{d(on)}$	Turn-on delay time	$V_{CC} = 600\text{ V}$, $I_C = 15\text{ A}$, $R_G = 22\text{ }\Omega$, $V_{GE} = \pm 15\text{ V}$,		122		ns	
t_r	Current rise time		$di/dt = 690\text{ A}/\mu\text{s}$, $T_J = 150\text{ °C}$		17		ns
E_{on}	Turn-on switching energy				1.08		mJ

Symbol	Parameter	Test conditions	Min.	Typ.	Max.	Unit
$t_{d(off)}$	Turn-off delay time	$V_{CC} = 600\text{ V}$, $I_C = 15\text{ A}$, $R_G = 22\ \Omega$, $V_{GE} = \pm 15\text{ V}$, $dv/dt = 7000\text{ V}/\mu\text{s}$, $T_J = 150\text{ }^\circ\text{C}$		122		ns
t_f	Current fall time			146		ns
E_{off}	Turn-off switching energy			1.06		mJ
t_{SC}	Short-circuit withstand time	$V_{CC} \leq 600\text{ V}$, $V_{GE} \leq 15\text{ V}$, $T_{Jstart} \leq 150\text{ }^\circ\text{C}$	10			μs
R_{THj-c}	Thermal resistance junction-to-case	Each IGBT		0.95	1.05	$^\circ\text{C}/\text{W}$
R_{THc-h}	Thermal resistance case-to-heatsink	Each IGBT, $\lambda_{grease} = 1\text{ W}/(\text{m}\cdot^\circ\text{C})$		0.90		$^\circ\text{C}/\text{W}$

1. Including the reverse recovery of the diode.
2. Including the tail of the collector current.

1.2.2 Diode
Table 7. Absolute maximum ratings of the diode, brake stage

Symbol	Parameter	Value	Unit
V_{RRM}	Repetitive peak reverse voltage	1200	V
I_F	Continuous forward current ($T_C = 100\text{ }^\circ\text{C}$)	15	A
$I_{FP}^{(1)}$	Pulsed forward current ($t_p = 1\text{ ms}$)	30	A
T_{JMAX}	Maximum junction temperature	175	$^\circ\text{C}$
T_{Jop}	Operating junction temperature range under switching conditions	-40 to 150	$^\circ\text{C}$

1. Pulse width limited by maximum junction temperature.

Table 8. Electrical characteristics of the diode, brake stage

Symbol	Parameter	Test conditions	Min.	Typ.	Max.	Unit
$V_F(\text{terminal})$	Forward voltage	$I_F = 15\text{ A}$	-	3.0	3.8	V
		$I_F = 15\text{ A}, T_J = 150\text{ }^\circ\text{C}$	-	2.1		
t_{rr}	Reverse recovery time		-	190		ns
Q_{rr}	Reverse recovery charge	$I_F = 15\text{ A}, V_R = 600\text{ V},$	-	1.45		μC
I_{rrm}	Reverse recovery current	$V_{GE} = \pm 15\text{ V}, di/dt = 820\text{ A}/\mu\text{s}$	-	23		A
E_{rec}	Reverse recovery energy		-	0.55		mJ
t_{rr}	Reverse recovery time		-	400		ns
Q_{rr}	Reverse recovery charge	$I_F = 15\text{ A}, V_R = 600\text{ V},$	-	2.75		μC
I_{rrm}	Reverse recovery current	$V_{GE} = \pm 15\text{ V}, di/dt = 690\text{ A}/\mu\text{s},$	-	25		A
E_{rec}	Reverse recovery energy	$T_J = 150\text{ }^\circ\text{C}$	-	1.2		mJ
R_{THj-c}	Thermal resistance junction-to-case	Each diode	-	1.60	1.75	$^\circ\text{C}/\text{W}$
R_{THc-h}	Thermal resistance case-to-heatsink	Each diode, $\lambda_{grease} = 1\text{ W}/(\text{m}\cdot^\circ\text{C})$	-	1.15		$^\circ\text{C}/\text{W}$

1.3 Converter stage

Limiting values at $T_J = 25\text{ °C}$, unless otherwise specified.

Table 9. Absolute maximum ratings of the bridge rectifiers

Symbol	Description	Value	Unit
V_{RRM}	Repetitive peak reverse voltage	1600	V
I_F	RMS forward current	30	A
I_{FSM}	Forward surge current $t_p = 10\text{ ms}$, $T_C = 25\text{ °C}$	315	A
	Forward surge current $t_p = 10\text{ ms}$, $T_C = 150\text{ °C}$	250	
I^2t	$t_p = 10\text{ ms}$, $T_C = 25\text{ °C}$	496	A ² s
	$t_p = 10\text{ ms}$, $T_C = 150\text{ °C}$	312	
T_{JMAX}	Maximum junction temperature	175	°C
T_{Jop}	Operating junction temperature range under switching conditions	-40 to 150	°C

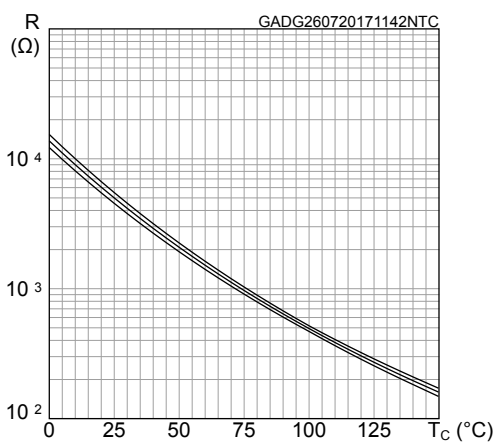
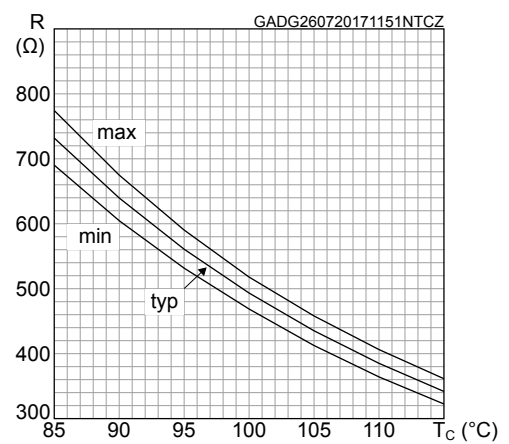
Table 10. Electrical characteristics of the bridge rectifiers

Symbol	Parameter	Test conditions	Min.	Typ.	Max.	Unit
V_F (terminal)	Forward voltage	$I_F = 15\text{ A}$	-	1.0	1.4	V
		$I_F = 15\text{ A}$, $T_J = 150\text{ °C}$	-	0.9		
I_R	Reverse current	$T_J = 150\text{ °C}$, $V_R = 1600\text{ V}$	-	1		mA
R_{THj-c}	Thermal resistance junction-to-case	Each diode	-	1.20	1.35	°C/W
R_{THc-h}	Thermal resistance case-to-heatsink	Each diode, $\lambda_{grease} = 1\text{ W/(m}\cdot\text{°C)}$	-	1.15		°C/W

1.4 NTC

Table 11. NTC temperature sensor, considered as stand-alone

Symbol	Parameter	Test condition	Min.	Typ.	Max.	Unit
R ₂₅	Resistance	T = 25 °C		5		kΩ
R ₁₀₀	Resistance	T = 100 °C		493		Ω
ΔR/R	Deviation of R ₁₀₀		-5		+5	%
B _{25/50}	B-constant			3375		K
B _{25/80}	B-constant			3411		K
T	Operating temperature range		-40		150	°C

Figure 1. NTC resistance vs temperature

Figure 2. NTC resistance vs temperature, zoom


1.5 Package

Table 12. ACEPACK™ 1 package

Symbol	Parameter	Min.	Typ.	Max.	Unit
V _{isol}	Isolation voltage (AC voltage, t = 60 s)			2500	Vrms
T _{stg}	Storage temperature	-40		125	°C
CTI	Comparative tracking index	200			
L _s	Stray inductance module P1 - EW loop		28.7		nH
R _s	Module single lead resistance , terminal-to-chip		3.9		mΩ

2 Electrical characteristics (curves)

Figure 3. IGBT output characteristics
($V_{GE} = 15\text{ V}$, terminal)

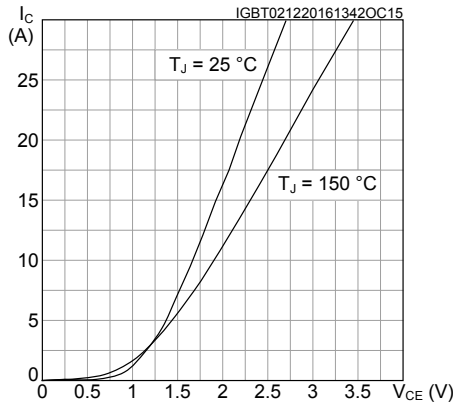


Figure 4. IGBT output characteristics
($T_J = 150\text{ °C}$, terminal)

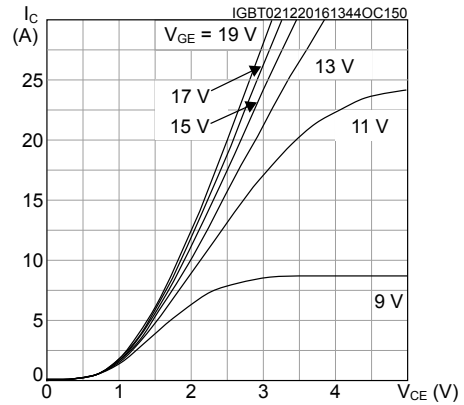


Figure 5. IGBT transfer characteristics
($V_{CE} = 15\text{ V}$, terminal)

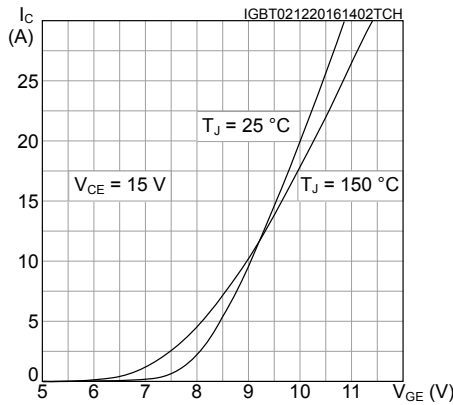


Figure 6. IGBT collector current vs case temperature

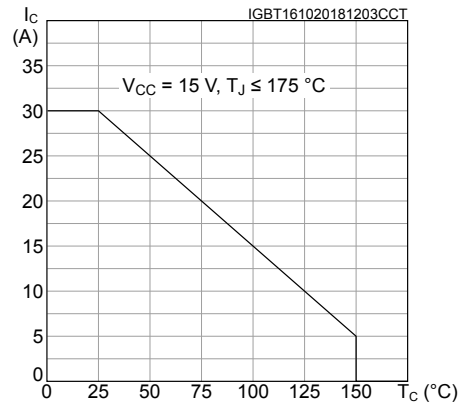


Figure 7. Switching energy vs gate resistance

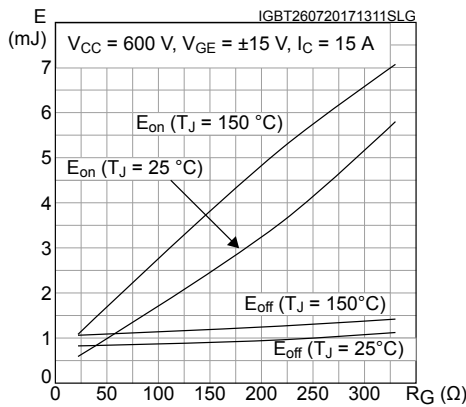


Figure 8. Switching energy vs collector current

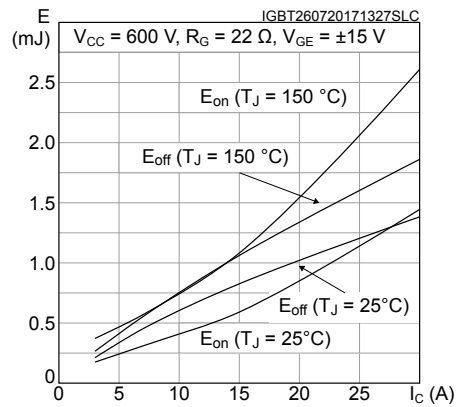


Figure 9. IGBT reverse biased safe operating area (RBSOA)

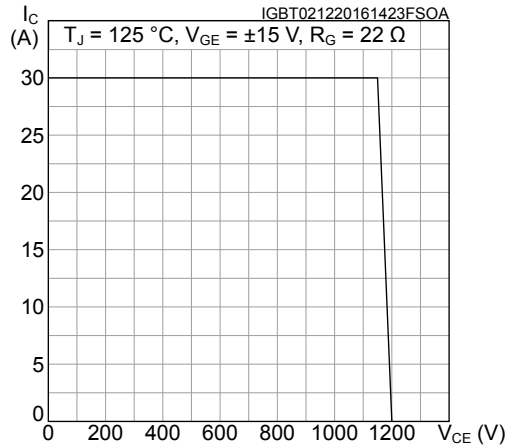


Figure 10. Diode forward characteristics (terminal)

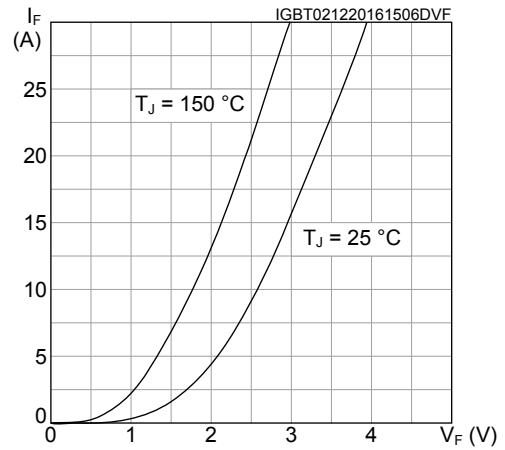


Figure 11. Diode reverse recovery energy vs diode current slope

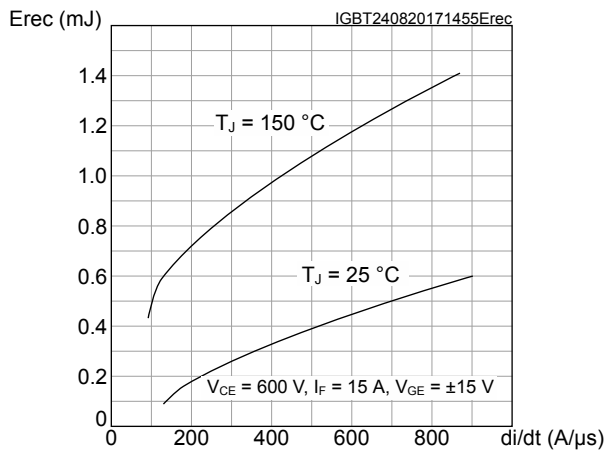


Figure 12. Diode reverse recovery energy vs forward current

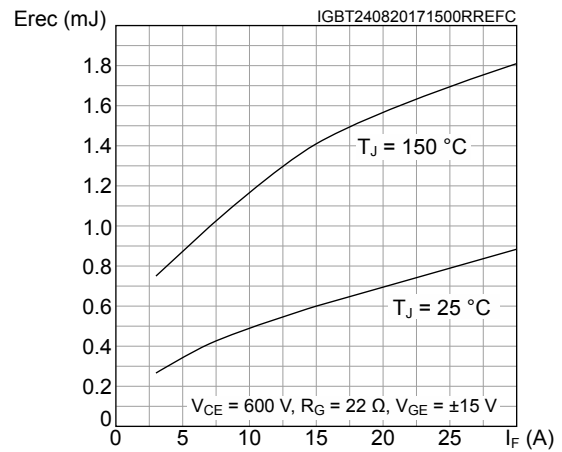


Figure 13. Diode reverse recovery energy vs gate resistance

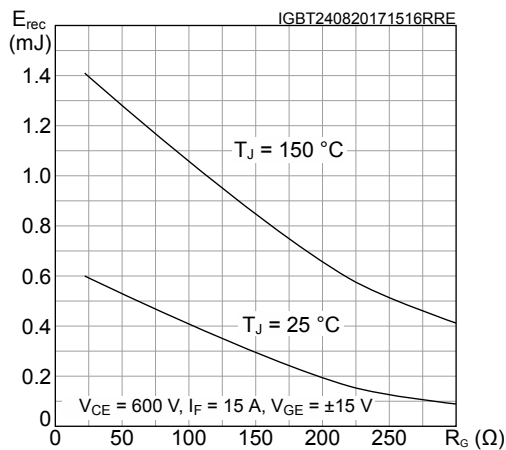


Figure 14. Converter diode forward characteristics (terminal)

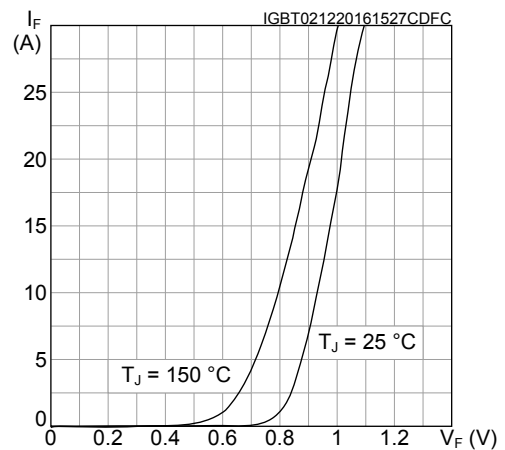


Figure 15. IGBT thermal impedance

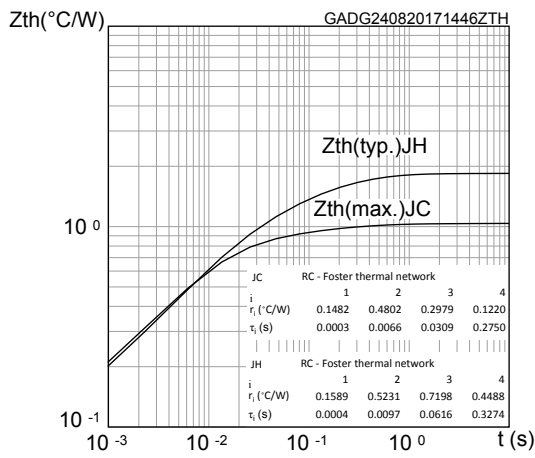
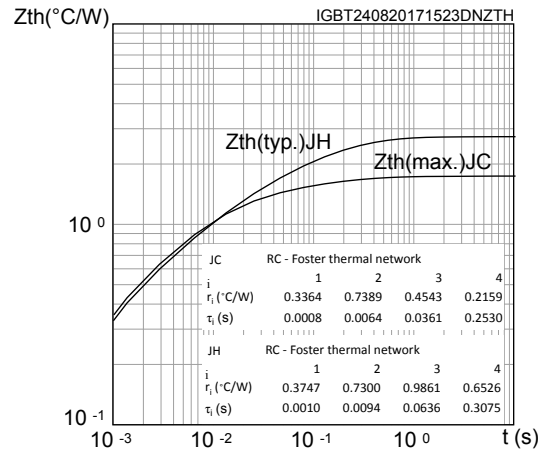
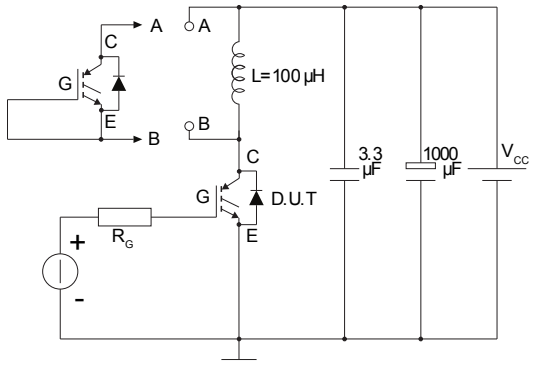
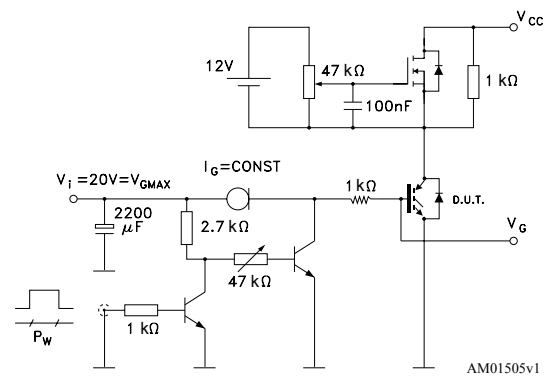
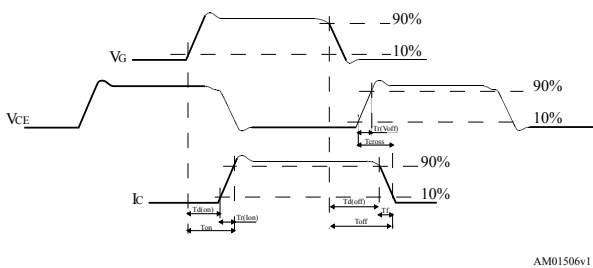
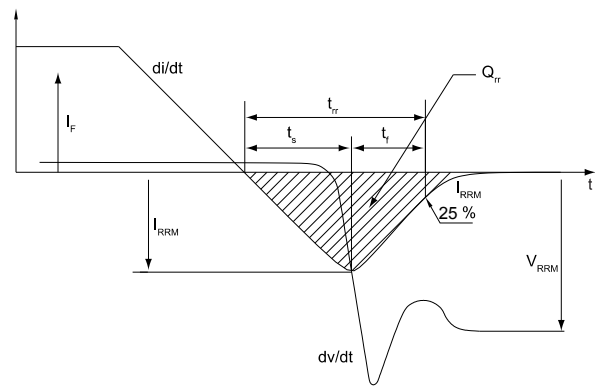


Figure 16. Inverter diode thermal impedance



3 Test circuits

Figure 17. Test circuit for inductive load switching

Figure 18. Gate charge test circuit

Figure 19. Switching waveform

Figure 20. Diode reverse recovery waveform


4 Topology and pin description

Figure 21. Electrical topology and pin description

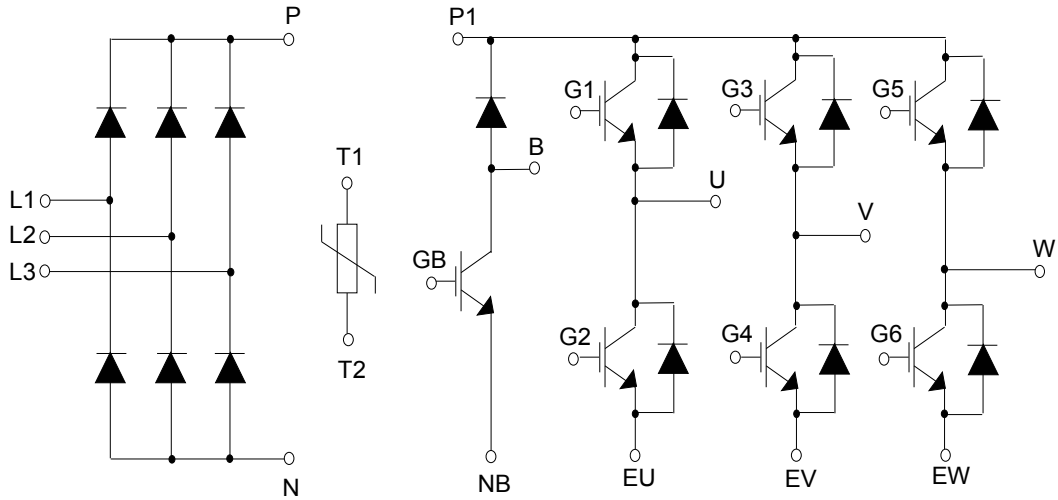
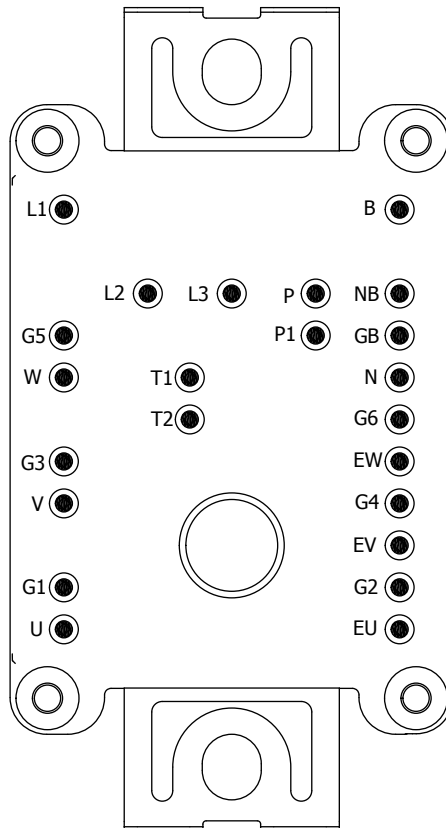


Figure 22. Package top view with CIB pinout



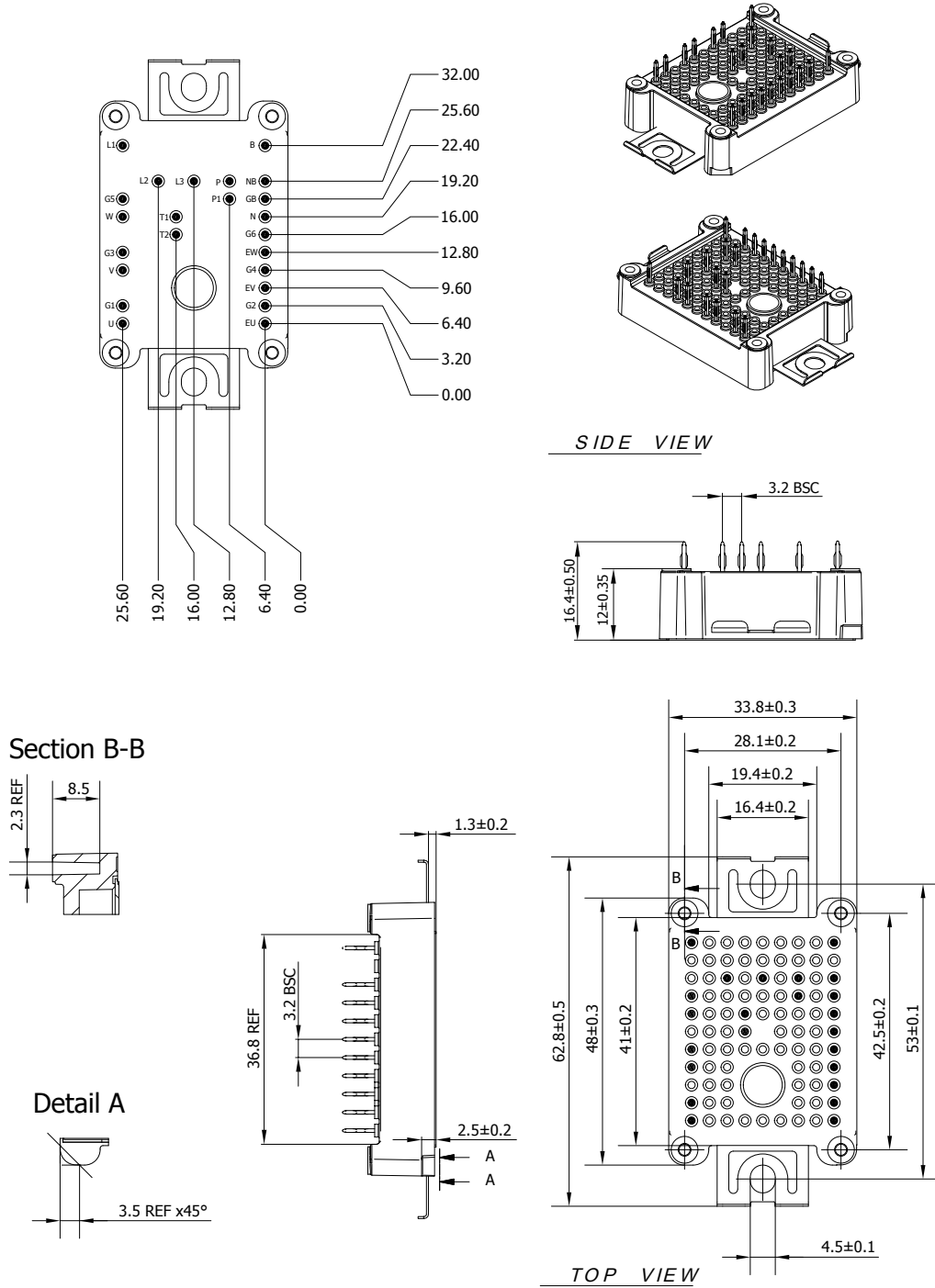
GIPD270320151420FSR

5 Package information

In order to meet environmental requirements, ST offers these devices in different grades of **ECOPACK®** packages, depending on their level of environmental compliance. ECOPACK® specifications, grade definitions and product status are available at: www.st.com. ECOPACK® is an ST trademark.

5.1 ACEPACK™ 1 CIB press fit pins package information

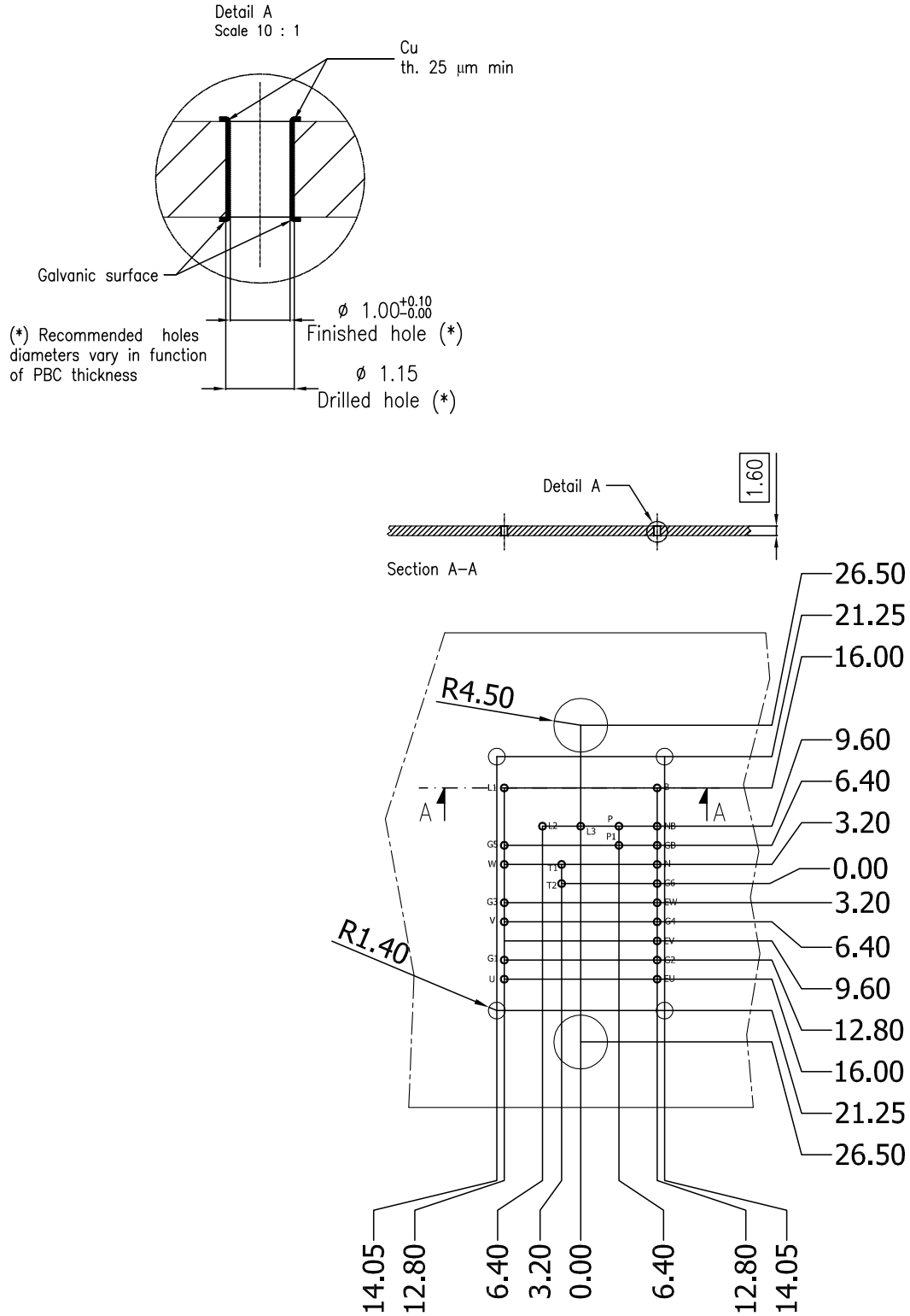
Figure 23. ACEPACK™ 1 CIB press fit pins package outline (dimensions are in mm)



8569715_4

- The lead size includes the thickness of the lead plating material.
- Dimensions do not include mold protrusion.
- Package dimensions do not include any eventual metal burrs.

Figure 24. ACEPACK™ 1 CIB press fit pins recommended PCB holes layout (dimensions are in mm)



8569715_4

Revision history

Table 13. Document revision history

Date	Revision	Changes
01-Feb-2016	1	Initial release.
03-Feb-2016	2	Updated <i>Table 3: "Electrical characteristics of the IGBTs, inverter stage"</i> . Minor text changes.
28-Jul-2017	3	Product status changed from preliminary to production data. Added <i>Electrical characteristics curves</i> . Minor text changes.
30-Aug-2017	4	Updated <i>Table 3: "Electrical characteristics of the IGBTs, inverter stage"</i> , <i>Table 5: "Electrical characteristics of the diode, inverter stage"</i> , <i>Table 7:</i> <i>"Electrical characteristics of the IGBT, brake stage"</i> , <i>Table 5: "Electrical</i> <i>characteristics of the diode, inverter stage"</i> , <i>Table 11: "Electrical</i> <i>characteristics of the bridge rectifiers"</i> , <i>Section 2: "Electrical characteristics</i> <i>curves"</i> . Minor text changes.
05-Oct-2017	5	Updated <i>Table 12. ACEPACK™ 1 package</i> , <i>Figure 21. IGBT thermal</i> <i>impedance</i> , <i>Figure 22. Inverter</i> <i>diode thermal impedance</i> and <i>Section 5.1 ACEPACK™ 1 CIB press fit pins</i> <i>package information</i> . Minor text changes.
15-Feb-2018	6	Removed maturity status indication from cover page. Updated <i>Figure 22. ACEPACK™ 1 CIB press fit pins package outline</i> <i>(dimensions are in mm)</i> and <i>Figure 23. ACEPACK™ 1 CIB press fit pins</i> <i>recommended PCB holes layout (dimensions are in mm)</i> . Minor text changes.
14-Nov-2018	7	Added Figure 6. IGBT collector current vs case temperature . Minor text changes

Contents

1	Electrical ratings	2
1.1	Inverter stage.....	2
1.1.1	IGBTs	2
1.1.2	Diode	4
1.2	Brake stage	5
1.2.1	IGBT	5
1.2.2	Diode	7
1.3	Converter stage.....	8
1.4	NTC.....	9
1.5	Package	9
2	Electrical characteristics curves	10
3	Test circuits	13
4	Topology and pin description	14
5	Package information	15
5.1	ACEPACK™ 1 CIB press fit pins package information.....	16
	Revision history	18

IMPORTANT NOTICE – PLEASE READ CAREFULLY

STMicroelectronics NV and its subsidiaries (“ST”) reserve the right to make changes, corrections, enhancements, modifications, and improvements to ST products and/or to this document at any time without notice. Purchasers should obtain the latest relevant information on ST products before placing orders. ST products are sold pursuant to ST’s terms and conditions of sale in place at the time of order acknowledgement.

Purchasers are solely responsible for the choice, selection, and use of ST products and ST assumes no liability for application assistance or the design of Purchasers’ products.

No license, express or implied, to any intellectual property right is granted by ST herein.

Resale of ST products with provisions different from the information set forth herein shall void any warranty granted by ST for such product.

ST and the ST logo are trademarks of ST. All other product or service names are the property of their respective owners.

Information in this document supersedes and replaces information previously supplied in any prior versions of this document.

© 2018 STMicroelectronics – All rights reserved



Стандарт Электрон Связь

Мы молодая и активно развивающаяся компания в области поставок электронных компонентов. Мы поставляем электронные компоненты отечественного и импортного производства напрямую от производителей и с крупнейших складов мира.

Благодаря сотрудничеству с мировыми поставщиками мы осуществляем комплексные и плановые поставки широчайшего спектра электронных компонентов.

Собственная эффективная логистика и склад в обеспечивает надежную поставку продукции в точно указанные сроки по всей России.

Мы осуществляем техническую поддержку нашим клиентам и предпродажную проверку качества продукции. На все поставляемые продукты мы предоставляем гарантию .

Осуществляем поставки продукции под контролем ВП МО РФ на предприятия военно-промышленного комплекса России , а также работаем в рамках 275 ФЗ с открытием отдельных счетов в уполномоченном банке. Система менеджмента качества компании соответствует требованиям ГОСТ ISO 9001.

Минимальные сроки поставки, гибкие цены, неограниченный ассортимент и индивидуальный подход к клиентам являются основой для выстраивания долгосрочного и эффективного сотрудничества с предприятиями радиоэлектронной промышленности, предприятиями ВПК и научно-исследовательскими институтами России.

С нами вы становитесь еще успешнее!

Наши контакты:

Телефон: +7 812 627 14 35

Электронная почта: sales@st-electron.ru

Адрес: 198099, Санкт-Петербург,
Промышленная ул, дом № 19, литера Н,
помещение 100-Н Офис 331