

RoHS Compliant

CFast 2.0

SS220-CFast 2.0 Product Specifications

September 5, 2017

Version 1.6



Apacer
Access the best

Apacer Technology Inc.

1F, No.32, Zhongcheng Rd., Tucheng Dist., New Taipei City, Taiwan, R.O.C

Tel: +886-2-2267-8000 Fax: +886-2-2267-2261

www.apacer.com

Features:

- **Standard Serial ATA Interface**
 - SATA Revision 3.1 compliance
 - SATA 6.0 Gbps interface speed
 - Backward compatible with SATA 1.5 and 3.0 Gbps interfaces
 - ATA-compatible command set
- **Capacity**
 - 8, 16, 32, 64 GB
- **Flash Management**
 - Built-in hardware ECC
 - Global Wear Leveling
 - Flash bad-block management
 - Flash Translation Layer: Page Mapping
 - S.M.A.R.T.
 - Power Failure Management
 - ATA Secure Erase
 - TRIM
- **Performance***
 - Sequential read: Up to 520 MB/sec
 - Sequential write: Up to 455 MB/sec
 - Random read (4K): up to 79,000 IOPS
 - Random write (4K): up to 80,000 IOPS
- **NAND Flash Type: SLC**
- **MTBF: >2,000,000 hours**
- **Temperature Range**
 - Operating:
 - Standard: 0°C to 70°C
 - Extended: -40°C to 85°C
 - Storage: -40°C to 100°C
- **Power Consumption***
 - Supply voltage: 3.3V
 - Active mode: 570 mA
 - Idle mode: 75 mA
- **Connector Type**
 - 7 + 17 pin female connector
- **Device Sleep Mode (optional)**
- **RoHS Compliant**

*Varies from capacities. The values presented in Power consumption and Performances are typical, and may vary depending on different settings and platforms.

Table of Contents

| | |
|--|-----------|
| 1. GENERAL DESCRIPTION | 3 |
| 2. FUNCTIONAL BLOCK | 3 |
| 3. PIN ASSIGNMENTS | 4 |
| 4. PRODUCT SPECIFICATIONS | 6 |
| 4.1 CAPACITY | 6 |
| 4.2 PERFORMANCE | 6 |
| 4.3 ENVIRONMENTAL SPECIFICATIONS | 7 |
| 4.4 MEAN TIME BETWEEN FAILURES (MTBF) | 7 |
| 4.5 CERTIFICATION AND COMPLIANCE | 7 |
| 5. FLASH MANAGEMENT | 8 |
| 5.1 ERROR CORRECTION/DETECTION | 8 |
| 5.2 BAD BLOCK MANAGEMENT | 8 |
| 5.3 GLOBAL WEAR LEVELING | 8 |
| 5.4 FLASH TRANSLATION LAYER – PAGE MAPPING | 8 |
| 5.5 POWER FAILURE MANAGEMENT | 8 |
| 5.6 ATA SECURE ERASE | 9 |
| 5.7 TRIM | 9 |
| 5.8 SATA POWER MANAGEMENT MODES | 9 |
| 5.9 DEVSLP (DEVSLP OR DEVSLP) MODE | 10 |
| 6. SOFTWARE INTERFACE | 11 |
| 7. ELECTRICAL SPECIFICATIONS | 13 |
| 7.1 OPERATING VOLTAGE | 13 |
| 7.2 POWER CONSUMPTION | 13 |
| 8. PHYSICAL CHARACTERISTICS | 14 |
| 8.1 DIMENSIONS | 14 |
| 9. PRODUCT ORDERING INFORMATION | 15 |
| 9.1 PRODUCT CODE DESIGNATIONS | 15 |
| 9.2 VALID COMBINATIONS | 16 |

1. General Description

Apacer SS220-CFast 2.0 is the latest enhancement of conventional CFast form factor that delivers various technological advantages. This new flash memory card comes with SATA 6.0 Gbps interface for higher performance and consists of SATA-based 7-pin signal segment and 17-pin for power and control purposes. For data efficiency, the internal controlling unit of the SS220-CFast 2.0 is engineered with DRAM for enhanced random performance which achieves data transfer rates up to 520 MB/s in sequential access and 79,000 IOPS in 4KB random access. In addition, Apacer CFast cards come with S.M.A.R.T. for lifetime monitoring and customization support if write protection is required. Apacer SS220-CFast 2.0 guarantees reliability of applications in harsh environments by implementing intelligent Flash Management algorithms and Error Correction.

2. Functional Block

Apacer SS220-CFast 2.0 includes a single-chip SATA 6.0 Gbps and the flash media. The controller integrates the flash management unit to support multi-channel, multi-bank flash arrays. Figure 2-1 shows the functional block diagram.

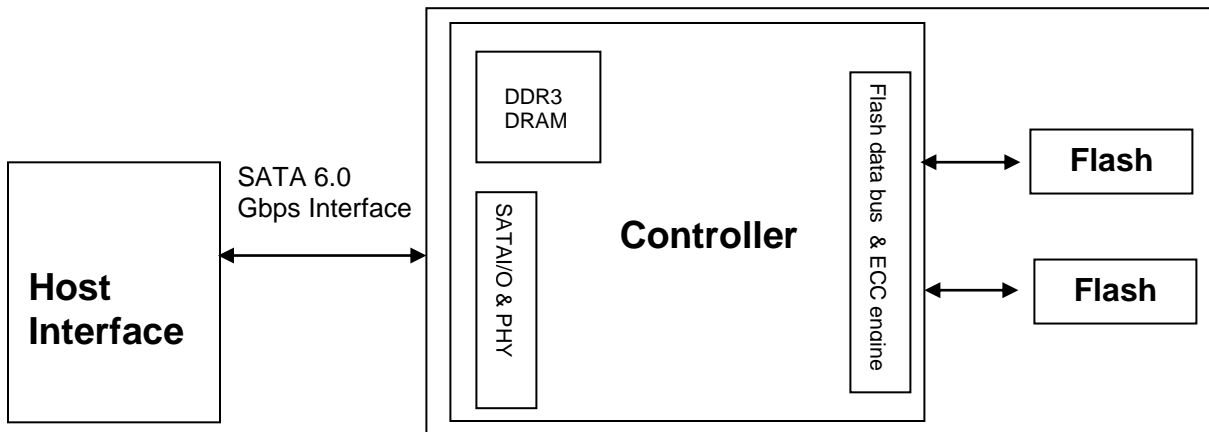


Figure 2-1 Block Diagram

3. Pin Assignments

Table 3-1 describes SS220-CFast 2.0 signal segment, and Table 3-2, its power segment.

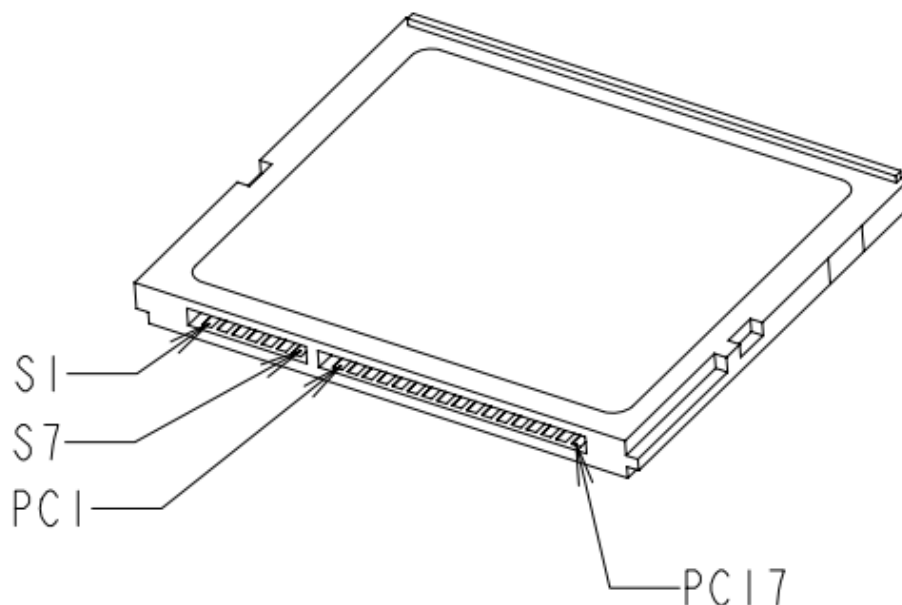


Figure 3-1 Pin Assignment

Table 3-1 Signal Segment

| Pin | Definition | Description |
|-----|------------|------------------------------------|
| S1 | GND | Ground |
| S2 | A+ | SATA Differential Signal Pair A |
| S3 | A- | |
| S4 | GND | Ground |
| S5 | B- | SATA Differential Signal Pair B |
| S6 | B+ | |
| S7 | GND | Ground |

Table 3-2 Power Segment

| Pin | Definition | Type | Description |
|------|------------|-------------------|--------------------------------------|
| PC1 | CDI | Input | Card Detect In |
| PC2 | PGND | Device GND | Device GND |
| PC3 | DEVSLP* | DEVSLP card input | DEVSLP enable |
| PC4 | | | Reserved |
| PC5 | | | Reserved |
| PC6 | | | Reserved |
| PC7 | PGND | Device GND | Device GND |
| PC8 | LED1 | LED Output | Power indicator |
| PC9 | LED2 | LED Output | Access indicator |
| PC10 | | | Reserved |
| PC11 | | | Write Protect** |
| PC12 | IFDet | GND | Card output, connect to PGND on card |
| PC13 | PWR | 3.3V | Device power (3.3V) |
| PC14 | PWR | 3.3V | Device power (3.3V) |
| PC15 | PGND | Device GND | Device GND |
| PC16 | PGND | Device GND | Device GND |
| PC17 | CDO | Output | Card Detect Out |

*Optional

**Enabled by adjusting the pin "PC11" from high to low active

Notes about Write Protect:

Apacer implements the Virtual Write scheme that allows write commands to go through the flash controller and data is temporarily stored, but no data has been actually written into the flash. Once the host resets or restarts the system, all the temporarily stored data will disappear and nowhere to be found in the drive. Since the Virtual Write scheme runs at device level, it requires no software or driver installation and is independent from the host OS.

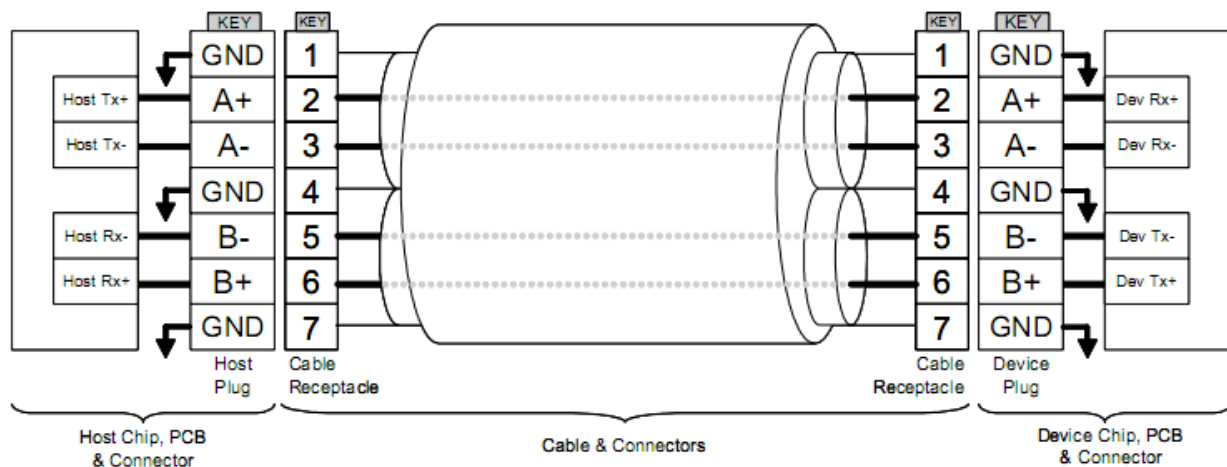


Figure 3-2 SATA Cable / Connector Connection Diagram

The connector on the left represents the Host with TX/RX differential pairs connected to a cable while the connector on the right shows the Device with TX/RX differential pairs also connected to the cable. Notice also the ground path connecting the shielding of the cable to the Cable Receptacle.

4. Product Specifications

4.1 Capacity

Capacity specifications of the SS220-CFast 2.0 are available as shown in Table 4-1. It lists the specific capacity and the default numbers of heads, sectors and cylinders for each product line.

Table 4-1 Capacity Specifications

| Capacity | Total bytes* | Cylinders | Heads | Sectors | Max LBA |
|----------|----------------|-----------|-------|---------|-------------|
| 8 GB | 8,012,390,400 | 15525 | 16 | 63 | 15,649,200 |
| 16 GB | 16,013,942,784 | 16383 | 16 | 63 | 31,277,232 |
| 32 GB | 32,017,047,552 | 16383 | 16 | 63 | 62,533,296 |
| 64 GB | 64,023,257,088 | 16383 | 16 | 63 | 125,045,424 |

*Display of total bytes varies from file systems.

**Cylinders, heads or sectors are not applicable for these capacities. Only LBA addressing applies

LBA count addressed in the table above indicates total user storage capacity and will remain the same throughout the lifespan of the device. However, the total usable capacity of the SS220-CFast is most likely to be less than the total physical capacity because a small portion of the capacity is reserved for device maintenance usages.

4.2 Performance

Performance of SS220-CFast 2.0 product family is available as shown in Table 4-2.

Table 4-2 Performance

| Capacity Performance | 8 GB | 16 GB | 32 GB | 64 GB |
|---------------------------------|--------|--------|--------|--------|
| Sequential Read* (MB/s) | 240 | 395 | 520 | 520 |
| Sequential Write* (MB/s) | 95 | 205 | 410 | 455 |
| Random Read IOPS** (4K) | 32,000 | 60,000 | 78,000 | 79,000 |
| Random Write IOPS** (4K) | 6,000 | 30,000 | 64,000 | 80,000 |

Note:

Results may differ from various flash configurations or host system setting.

*Sequential performance is based on CrystalDiskMark 5.2.1 with file size 1,000MB.

**Random performance measured using IOMeter with Queue Depth 32.

4.3 Environmental Specifications

Environmental specifications of the SS220-CFast 2.0 follow the military standards, shown in Table 4-3.

Table 4-3 Environmental Specifications

| Environment | Specifications |
|-------------|---|
| Temperature | 0°C to 70°C (Standard); -40°C to 85°C (Extended) |
| | -40°C to 100°C (Storage) |
| Vibration | Non-operating: Sine wave, 15(G), 10~2000(Hz), Operating: Random, 7.69(Grms), 20~2000(Hz) |
| Shock | Non-operating: Acceleration, 1,500 G, 0.5 ms Operating: Peak acceleration, 50 G, 11 ms |

Note: This Environmental Specification table indicates the conditions for testing the device. Real world usages may affect the results.

4.4 Mean Time Between Failures (MTBF)

Mean Time Between Failures (MTBF) is predicted based on reliability data for the individual components in SS220-CFast 2.0. Serving as statistical reference, the prediction result for SS220-CFast is more than 2,000,000 hours.

Note: The MTBF is predicated and calculated based on “Telcordia Technologies Special Report, SR-332, Issue 2” method.

4.5 Certification and Compliance

SS220-CFast 2.0 complies with the following standards:

- CE
- FCC
- RoHS
- MIL-STD-810F

5. Flash Management

5.1 Error Correction/Detection

Apacer implements a hardware ECC scheme, based on the BCH algorithm. It can detect and correct up to 40 bits error in 1K bytes.

5.2 Bad Block Management

Current production technology is unable to guarantee total reliability of NAND flash memory array. When a flash memory device leaves factory, it comes with a minimal number of initial bad blocks during production or out-of-factory as there is no currently known technology that produce flash chips free of bad blocks. In addition, bad blocks may develop during program/erase cycles. When host performs program/erase command on a block, bad block may appear in Status Register. Since bad blocks are inevitable, the solution is to keep them in control. Apacer flash devices are programmed with ECC, page mapping technique and S.M.A.R.T to reduce invalidity or error. Once bad blocks are detected, data in those blocks will be transferred to free blocks and error will be corrected by designated algorithms.

5.3 Global Wear Leveling

Flash memory devices differ from Hard Disk Drives (HDDs) in terms of how blocks are utilized. For HDDs, when a change is made to stored data, like erase or update, the controller mechanism on HDDs will perform overwrites on blocks. Unlike HDDs, flash blocks cannot be overwritten and each P/E cycle wears down the lifespan of blocks gradually. Repeatedly program/erase cycles performed on the same memory cells will eventually cause some blocks to age faster than others. This would bring flash storages to their end of service term sooner. Global wear leveling is an important mechanism that levels out the wearing of all blocks so that the wearing-down of all blocks can be almost evenly distributed. This will increase the lifespan of SSDs.

5.4 Flash Translation Layer – Page Mapping

Page mapping is an advanced flash management technology whose essence lies in the ability to gather data, distribute the data into flash pages automatically, and then schedule the data to be evenly written. Page-level mapping uses one page as the unit of mapping. The most important characteristic is that each logical page can be mapped to any physical page on the flash memory device. This mapping algorithm allows different sizes of data to be written to a block as if the data is written to a data pool and it does not need to take extra operations to process a write command. Thus, page mapping is adopted to increase random access speed and improve SSD lifespan, reduce block erase frequency, and achieve optimized performance and lifespan.

5.5 Power Failure Management

Power Failure Management plays a crucial role when experiencing unstable power supply. Power disruption may occur when users are storing data into the SSD. In this urgent situation, the controller would run multiple write-to-flash cycles to store the metadata for later block rebuilding. This urgent operation requires about several milliseconds to get it done. At the next power up, the firmware will perform a status tracking to retrieve the mapping table and resume previously programmed NAND blocks to check if there is any incompleteness of transmission.

5.6 ATA Secure Erase

ATA Secure Erase is an ATA disk purging command currently embedded in most of the storage drives. Defined in ATA specifications, (ATA) Secure Erase is part of Security Feature Set that allows storage drives to erase all user data areas. The erase process usually runs on the firmware level as most of the ATA-based storage media currently in the market are built-in with this command. ATA Secure Erase can securely wipe out the user data in the drive and protects it from malicious attack.

5.7 TRIM

TRIM is a SATA command that helps improve the read/write performance and efficiency of solid-state drives (SSD). The command enables the host operating system to inform SSD controller which blocks contain invalid data, mostly because of the erase commands from host. The invalid will be discarded permanently and the SSD will retain more space for itself.

5.8 SATA Power Management Modes

By complying with SATA 6.0 Gb/s specifications, the SSD supports the following SATA power saving modes:

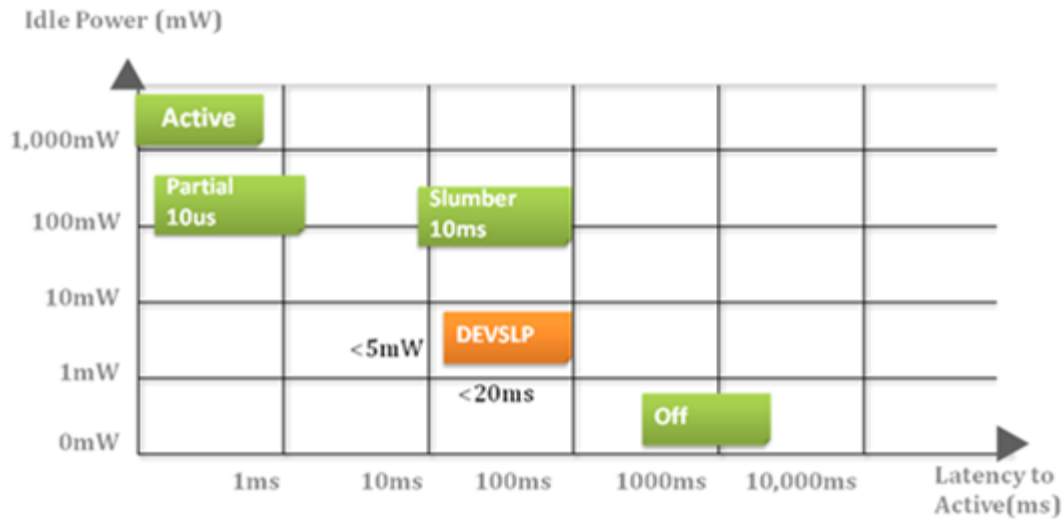
- ACTIVE: PHY ready, full power, Tx & Rx operational
- PARTIAL: Reduces power, resumes in under 10 μ s (microseconds)
- SLUMBER: Reduces power, resumes in under 10 ms (milliseconds)
- HIPM: Host-Initiated Power Management
- DIPM: Device-Initiated Power Management
- AUTO-SLUMBER: Automatic transition from partial to slumber.
- Device Sleep (DevSleep or DEVSLP): PHY powered down; power consumption \leq 5 mW; host assertion time \leq 10 ms; exit timeout from this state \leq 20 ms (unless specified otherwise in SATA Identify Device Log).

Note:

1. The behaviors of power management features would depend on host/device settings.
2. Device Sleep mode is optional depending on product ordering selections.

5.9 DEVSLP (DevSleep or DEVSLP) Mode

Device Sleep is a feature that allows SATA devices to enter a low power mode by designating pin 3 as DEVSLP signal with an aim to reducing power consumption.



6. Software Interface

6.1 Command Set

Table 6-1 Command Set

| Code | Command | Code | Command |
|-----------|------------------------------|------------|---------------------------|
| E5h | Check Power Mode | F6h | Security Disable Password |
| 90h | Execute Diagnostics | F3h | Security Erase Prepare |
| E7h | Flush Cache | F4h | Security Erase Unit |
| ECh | Identify Device | F5h | Security Freeze Lock |
| E3h | Idle | F1h | Security Set Password |
| E1h | Idle Immediate | F2h | Security Unlock |
| 91h | Initialize Device Parameters | 7Xh | Seek |
| C8h | Read DMA | EFh | Set Features |
| 25h | Read DMA EXT | C6h | Set Multiple Mode |
| 60h | Read FPDMA Queued | E6h | Sleep |
| 47h | Read Log DMA EXT | B0h | S.M.A.R.T. |
| 2Fh | Read Log EXT | E2h | Standby |
| C4h | Read Multiple | E0h | Standby Immediate |
| 20 or 21h | Read Sector(s) | CAh | Write DMA |
| 40 or 41h | Read Verify Sector(s) | 35h | Write DMA EXT |
| 10h | Recalibrate | 61h | Write FPDMA Queued |
| 57h | Write Log DMA EXT | 3Fh | Write Log EXT |
| C5h | Write Multiple | 30h or 31h | Write Sector(s) |

6.2 S.M.A.R.T.

S.M.A.R.T. is an abbreviation for Self-Monitoring, Analysis and Reporting Technology, a self-monitoring system that provides indicators of drive health as well as potential disk problems. It serves as a warning for users from unscheduled downtime by monitoring and displaying critical drive information. Ideally, this should allow taking proactive actions to prevent drive failure and make use of S.M.A.R.T. information for future product development reference.

Apacer devices use the standard SMART command B0h to read data out from the drive to activate our S.M.A.R.T. feature that complies with the ATA/ATAPI specifications. S.M.A.R.T. Attribute IDs shall include initial bad block count, total later bad block count, maximum erase count, average erase count, power on hours and power cycle. When the S.M.A.R.T. Utility running on the host, it analyzes and reports the disk status to the host before the device reaches in critical condition.

Note: Attribute IDs may vary from product models due to various solution design and supporting capabilities.

SS220-CFast 2.0

AP-CFAXxxGGDAD-X4XT



Apacer memory products come with S.M.A.R.T. commands and subcommands for users to obtain information of drive status and to predict potential drive failures. Users can take advantage of the following commands/subcommands to monitor the health of the drive.

| Code | SMART Subcommand |
|------|-----------------------------------|
| D0h | READ DATA |
| D1h | READ ATTRIBUTE THRESHOLDS |
| D2h | Enable/Disable Attribute Autosave |
| D4h | Execute Off-line Immediate |
| D5h | Read Log (optional) |
| D6h | Write Log (optional) |
| D8h | Enable Operations |
| D9h | Disable operations |
| DAh | Return Status |

General SMART attribute structure

| Byte | Description |
|-------|-------------|
| 0 | ID (Hex) |
| 1 – 2 | Status flag |
| 3 | Value |
| 4 | Worst |
| 5*-11 | Raw Data |

*Byte 5: LSB

SMART attribute ID list

| ID (Hex) | Attribute Name |
|------------|------------------------------------|
| 9 (0x09) | Power-on hours |
| 12 (0x0C) | Power cycle count |
| 163 (0xA3) | Max. erase count |
| 164 (0xA4) | Avg. erase count |
| 166 (0xA6) | Total later bad block count |
| 167 (0xA7) | SSD Protect Mode (vendor specific) |
| 168 (0xA8) | SATA PHY Error Count |
| 175 (0xAF) | Bad Cluster Table Count |
| 192 (0xC0) | Unexpected Power Loss Count |
| 194 (0xC2) | Temperature |
| 241 (0xF1) | Total sectors of write |

7. Electrical Specifications

7.1 Operating Voltage

Table 7-1 lists operating voltage of SS220-CFast 2.0.

Table 7-1 Operating Voltage

| Parameter | Symbol | Min | Type | Max | Units |
|--------------|--------|-------|------|-------|-------|
| Power Supply | Vcc | 3.135 | 3.3 | 3.465 | V |

7.2 Power Consumption

Table 7-2 lists power consumption of SS220-CFast 2.0.

Table 7-2 Power Consumption

| Capacity Mode | 8 GB | 16 GB | 32 GB | 64 GB |
|--------------------|------|-------|-------|-------|
| Active (mA) | 265 | 345 | 505 | 570 |
| Idle (mA) | 75 | 75 | 75 | 75 |

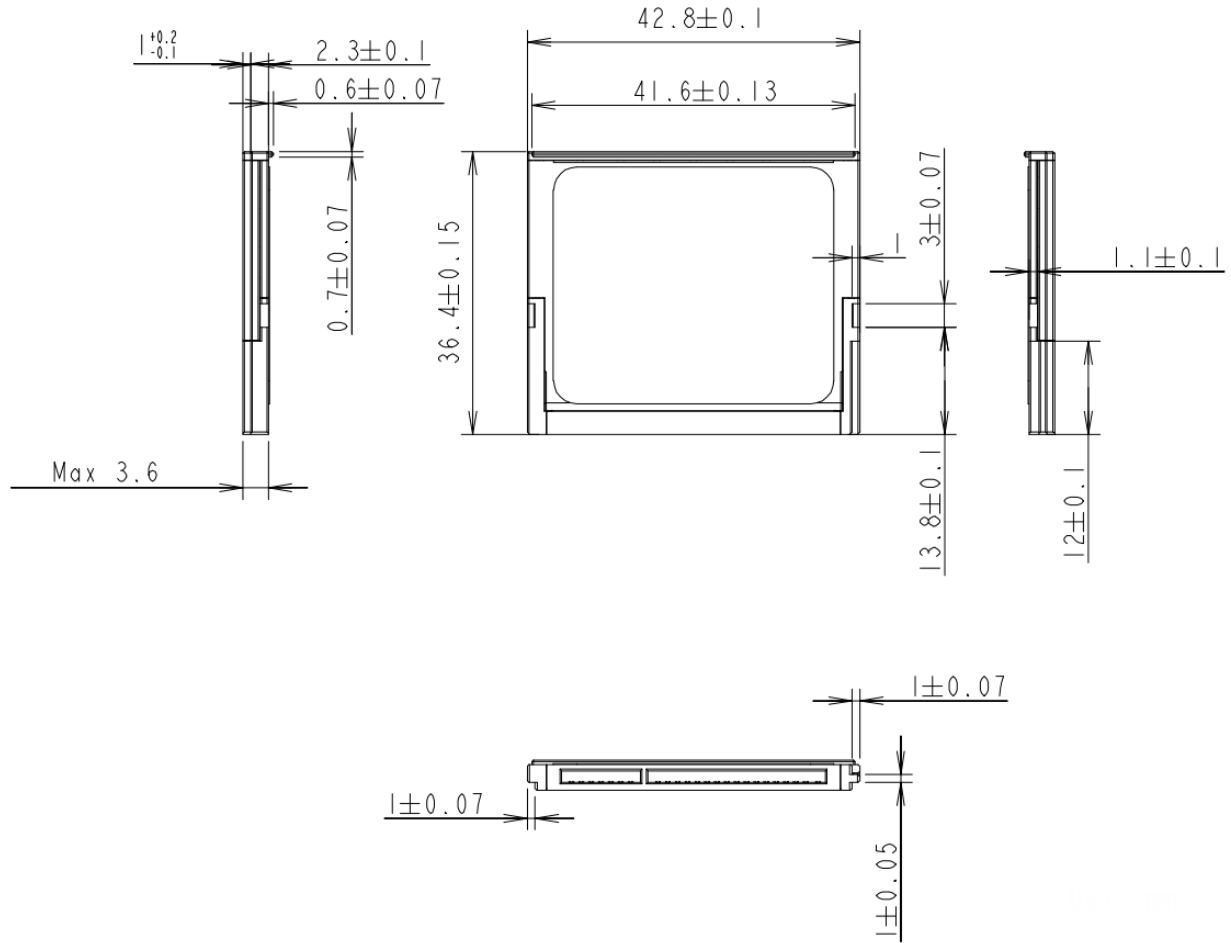
Note:

*All values are typical and may vary depending on flash configurations or host system settings.

**Active power is an average power measurement performed using CrystalDiskMark with 128KB sequential read/write transfers.

8. Physical Characteristics

8.1 Dimensions



Unit: mm

Figure 8-1 Physical Dimensions

9. Product Ordering Information

9.1 Product Code Designations



9.2 Valid Combinations

9.2.1 Without DEVSLP

| Capacity | Standard Temperature | Extended Temperature |
|----------|----------------------|----------------------|
| 8GB | APCFA008GGDAD-4ET | APCFA008GGDAD-W4ET |
| 16GB | APCFA016GGDAD-4ET | APCFA016GGDAD-W4ET |
| 32GB | APCFA032GGDAD-4ET | APCFA032GGDAD-W4ET |
| 64GB | APCFA064GGDAD-4ET | APCFA064GGDAD-W4ET |

9.2.2 With DEVSLP

| Capacity | Standard Temperature | Extended Temperature |
|----------|----------------------|----------------------|
| 8GB | APCFA008GGDAD-4FT | APCFA008GGDAD-W4FT |
| 16GB | APCFA016GGDAD-4FT | APCFA016GGDAD-W4FT |
| 32GB | APCFA032GGDAD-4FT | APCFA032GGDAD-W4FT |
| 64GB | APCFA064GGDAD-4FT | APCFA064GGDAD-W4FT |

Note: Valid combinations are those products in mass production or will be in mass production. Consult your Apacer sales representative to confirm availability of valid combinations and to determine availability of new combinations.

Revision History

| Revision | Date | Description | Remark |
|----------|-----------|--|--------|
| 1.0 | 1/18/2016 | Official release | |
| 1.1 | 6/3/2016 | - Revised performance and power consumption values - Revised product ordering information | |
| 1.2 | 1/25/2017 | - Added Flash Translation Layer: Page Mapping on Features page and 5.4 Flash Translation Layer – Page Mapping - Added 5.9 DEVSLP (DevSleep or DEVSLP) Mode - Revised MIL-STD of 4.5 Certification and Compliance to MIL-STD-810F | |
| 1.3 | 1/26/2017 | Updated 1. General Description | |
| 1.4 | 2/2/2017 | Added product photo to Features page | |
| 1.5 | 4/5/2017 | - Updated functional block diagram - Removed the note from 5.5 Power Failure Management - Revised the description of 5.4 Flash Translation Layer – Page Mapping - Updated product ordering information | |
| 1.6 | 9/5/2017 | Revised DEVSLP signal from pin 44 to pin 3 at 5.9 DEVSLP (DevSleep or DEVSLP) Mode | |

Global Presence

| | |
|------------------------------|---|
| Taiwan (Headquarters) | Apacer Technology Inc. Apacer Technology Inc. 1F., No.32, Zhongcheng Rd., Tucheng Dist., New Taipei City 236, Taiwan R.O.C. Tel: 886-2-2267-8000 Fax: 886-2-2267-2261 amtsales@apacer.com |
| U.S.A. | Apacer Memory America, Inc. 46732 Lakeview Blvd., Fremont, CA 94538 Tel: 1-408-518-8699 Fax: 1-510-249-9551 sa@apacerus.com |
| Japan | Apacer Technology Corp. 5F, Matsura Bldg., Shiba, Minato-Ku Tokyo, 105-0014, Japan Tel: 81-3-5419-2668 Fax: 81-3-5419-0018 jpservices@apacer.com |
| Europe | Apacer Technology B.V. Science Park Eindhoven 5051 5692 EB Son, The Netherlands Tel: 31-40-267-0000 Fax: 31-40-290-0686 sales@apacer.nl |
| China | Apacer Electronic (Shanghai) Co., Ltd Room D, 22/FL, No.2, Lane 600, JieyunPlaza, Tianshan RD, Shanghai, 200051, China Tel: 86-21-6228-9939 Fax: 86-21-6228-9936 sales@apacer.com.cn |
| India | Apacer Technologies Pvt Ltd, Unit No.201, "Brigade Corner", 7 th Block Jayanagar, Yediyur Circle, Bangalore – 560082, India Tel: 91-80-4152-9061 Fax: 91-80-4170-0215 sales_india@apacer.com |



Стандарт Электрон Связь

Мы молодая и активно развивающаяся компания в области поставок электронных компонентов. Мы поставляем электронные компоненты отечественного и импортного производства напрямую от производителей и с крупнейших складов мира.

Благодаря сотрудничеству с мировыми поставщиками мы осуществляем комплексные и плановые поставки широчайшего спектра электронных компонентов.

Собственная эффективная логистика и склад в обеспечивает надежную поставку продукции в точно указанные сроки по всей России.

Мы осуществляем техническую поддержку нашим клиентам и предпродажную проверку качества продукции. На все поставляемые продукты мы предоставляем гарантию .

Осуществляем поставки продукции под контролем ВП МО РФ на предприятия военно-промышленного комплекса России , а также работаем в рамках 275 ФЗ с открытием отдельных счетов в уполномоченном банке. Система менеджмента качества компании соответствует требованиям ГОСТ ISO 9001.

Минимальные сроки поставки, гибкие цены, неограниченный ассортимент и индивидуальный подход к клиентам являются основой для выстраивания долгосрочного и эффективного сотрудничества с предприятиями радиоэлектронной промышленности, предприятиями ВПК и научно-исследовательскими институтами России.

С нами вы становитесь еще успешнее!

Наши контакты:

Телефон: +7 812 627 14 35

Электронная почта: sales@st-electron.ru

Адрес: 198099, Санкт-Петербург,
Промышленная ул, дом № 19, литера Н,
помещение 100-Н Офис 331