

SECONDARY SIDE SYNCHRONOUS RECTIFICATION CONTROLLER

NEW PRODUCT

Description

APR343 is a secondary side MOSFET driver for synchronous rectification in DCM operation, which integrates the output voltage detection function for primary side control system.

The synchronous rectification can effectively reduce the secondary side rectifier power dissipation and provide high performance solution. By sensing MOSFET drain-to-source voltage, APR343 can output ideal drive signal with less external components. It can provide high performance solution for 5V output voltage application.

Same as AP4341, APR343 detects the output voltage and provides a periodical signal when the output voltage is lower than a certain threshold. By fast response to secondary side voltage, APR343 can effectively improve the transient performance of primary side control system.

The APR343 is available in SOT25 package.

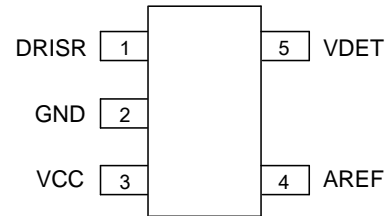
Features

- Synchronous Rectification for DCM Operation Flyback
- Eliminate Resonant Ring Interference
- Fast Detector of Supply Voltage
- Fewest External Components
- **Totally Lead-free & Fully RoHS Compliant (Notes 1 & 2)**
- **Halogen and Antimony Free. "Green" Device (Note 3)**

Notes: 1. No purposely added lead. Fully EU Directive 2002/95/EC (RoHS) & 2011/65/EU (RoHS 2) compliant.
2. See http://www.diodes.com/quality/lead_free.html for more information about Diodes Incorporated's definitions of Halogen- and Antimony-free, "Green" and Lead-free.
3. Halogen- and Antimony-free "Green" products are defined as those which contain <900ppm bromine, <900ppm chlorine (<1500ppm total Br + Cl) and <1000ppm antimony compounds.

Pin Assignments

(Top View)

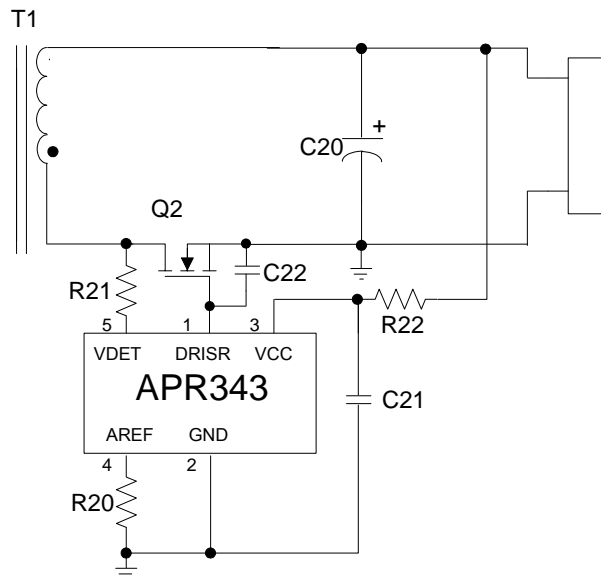


SOT25

Applications

- Adapters/Chargers for Cell/Cordless Phones, ADSL Modems, MP3 and Other Portable Apparatus
- Standby and Auxiliary Power Supplies

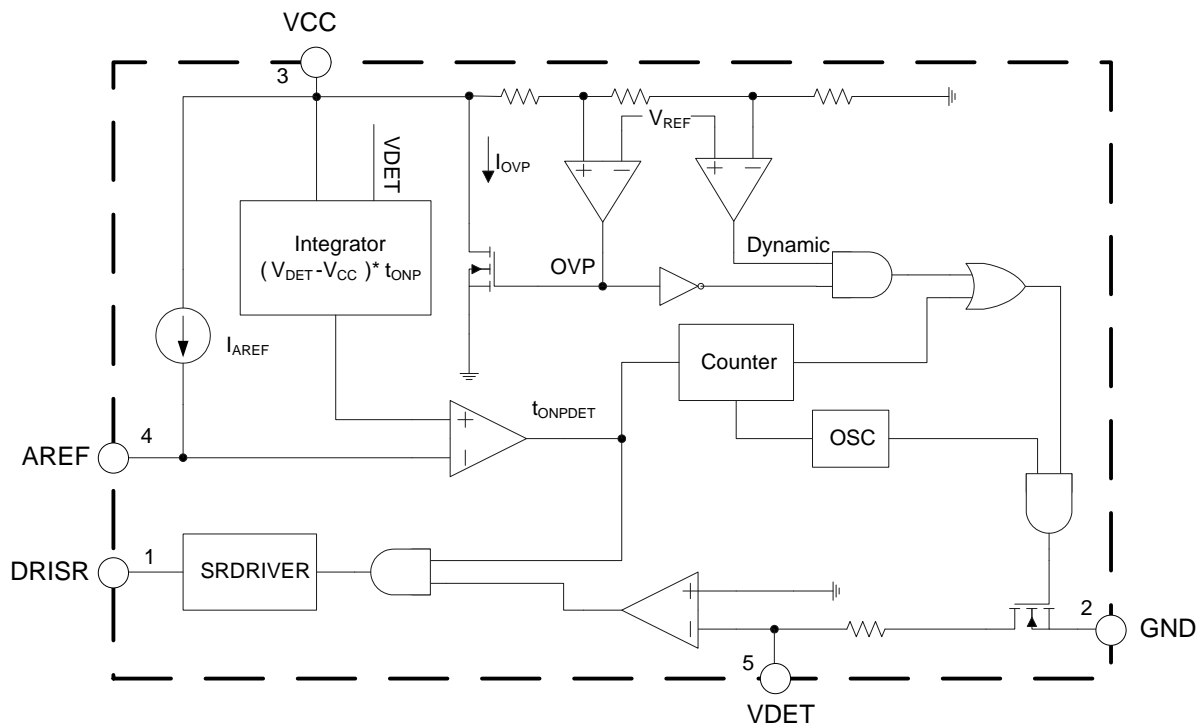
Typical Applications Circuit



Pin Descriptions

Pin Number	Pin Name	Function
1	DRISR	Synchronous rectification MOSFET Gate drive
2	GND	Ground
3	VCC	Power supply, connected with system output
4	AREF	Program a voltage reference with a resistor from AREF to GND, to enable synchronous rectification MOSFET drive signal
5	VDET	Synchronous rectification sense input and dynamic function output, connected with secondary winding

Functional Block Diagram



Absolute Maximum Ratings (Note 4)

Symbol	Parameter	Rating	Unit
V_{CC}	Supply Voltage	-0.3 to 7.5	V
V_{DET}	Voltage at VDET Pin	-2 to 50	V
V_{AREF}, V_{DRISR}	Voltage at AREF, DRISR Pin	-0.3 to 6	V
–	Output Current at VDET	Internally limited	A
P_D	Power Dissipation at $T_A = +25^\circ\text{C}$	0.6	W
T_J	Operating Junction Temperature	+150	$^\circ\text{C}$
T_{STG}	Storage Temperature	-65 to +150	$^\circ\text{C}$
–	Lead Temperature (Soldering, 10 sec)	+300	$^\circ\text{C}$
θ_{JA}	Thermal Resistance (Junction to Ambient)	197	$^\circ\text{C}/\text{W}$
θ_{JC}	Thermal Resistance (Junction to Case)	76	$^\circ\text{C}/\text{W}$

Note 4: Stresses greater than those listed under “Absolute Maximum Ratings” may cause permanent damage to the device. These are stress ratings only, and functional operation of the device at these or any other conditions beyond those indicated under “Recommended Operating Conditions” is not implied. Exposure to “Absolute Maximum Ratings” for extended periods may affect device reliability.

Recommended Operating Conditions

Symbol	Parameter	Min	Max	Unit
V_{CC}	Supply Voltage	0	6	V
T_A	Ambient Temperature	-40	+85	$^\circ\text{C}$

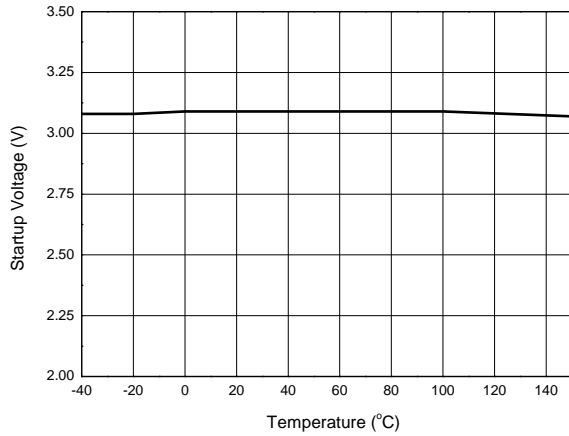
Electrical Characteristics (@ $V_{CC} = 5V$, $T_A = +25^\circ C$, unless otherwise specified.)

Symbol	Parameters	Conditions	Min	Typ	Max	Unit
Supply Voltage (VCC Pin)						
$I_{STARTUP}$	Startup Current	$V_{CC} = V_{STARTUP} - 0.1V$	–	100	150	μA
I_{OP}	Operating Current	VDET pin floating $V_{CC} = V_{TRIGGER} + 20mV$	40	100	150	μA
$V_{STARTUP}$	Startup Voltage	–	2.6	3.1	3.4	V
–	UVLO	–	2.3	2.8	3.1	V
Dynamic Output Section/Oscillator Section						
$V_{TRIGGER}$	Internal Trigger Voltage	–	5.25	5.3	5.35	V
–	Duty Cycle	–	4	8	12	%
t_{OSC}	Oscillation Period	$V_{CC} = 5V$	18	30	37.5	μs
$I_{TRIGGER}$	Internal Trigger Current	$V_{CC} = V_{TRIGGER}$, VCC/VDET pin is separately connected to a 20 Ω resistor	30	–	42	mA
t_{DIS}	Minimum Period	–	18	30	37.5	ms
V_{DIS}	Discharge Voltage	–	5.28	5.44	5.52	V
I_{DIS}	Discharge Current	$V_{CC} = V_{DIS} + 0.1V$	1.5	3	4.5	mA
$V_{DIS} - V_{TRIGGER}$	Trigger Discharger Gap	–	30	110	–	mV
V_{OVP}	Overshoot Voltage for Discharge	–	5.8	5.9	6.0	V
I_{OVP}	Overshoot Current for Discharge	$V_{CC} = V_{OVP} + 0.1V$, VCC pin is connected to a 20 Ω resistor	40	–	100	mA
Synchronous Rectification Detection and Drive						
V_{THON}	Gate Turn On Threshold	–	0	–	1	V
V_{THOFF}	Gate Turn Off Threshold	–	-20	-12.5	-5	mV
t_{DON}	Turn On Delay Time	From V_{THON} to $V_{DRISR} = 1V$	–	70	130	ns
t_{DOFF}	Turn Off Propagation Delay Time	From V_{THOFF} to $V_{DRISR} = 3V$	–	100	150	ns
t_{RG}	Turn On Rising Time	From 1V to 3V, $C_L = 4.7nF$	–	50	100	ns
t_{FG}	Turn Off Falling Time	From 3V to 1V, $C_L = 4.7nF$	–	50	100	ns
t_{LEB_S}	Minimum On Time	$(V_{DET} - V_{CC}) * t_{ONP} = 25V\mu s$	0.9	1.8	2.7	μs
t_{LEB_L}		$(V_{DET} - V_{CC}) * t_{ONP} = 50V\mu s$	–	–	6.5	
V_{DRISR_HIGH}	Drive Output Voltage	$V_{CC} = 5V$	3.7	–	–	V
V_{S_MIN}	Synchronous Rectification (SR) Minimum Operating Voltage (Note 5)	–	–	–	4.5	V
t_{OVP_LAST}	Added OVP Discharge Time	–	–	2.0	–	ms
Kqs	(Note 6)	$(V_{DET} - V_{CC}) * t_{ONP} = 25V\mu s$	0.325	–	0.625	mA* μs

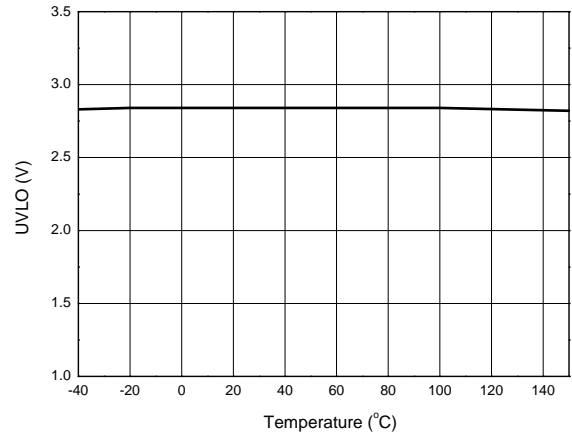
Notes: 5. This item specifies the minimum SR operating voltage of V_{IN_DC} , $V_{IN_DC} \geq N_{PS} * V_{S_MIN}$.
6. This item is used to specify the value of R_{AREF} .

Performance Characteristics

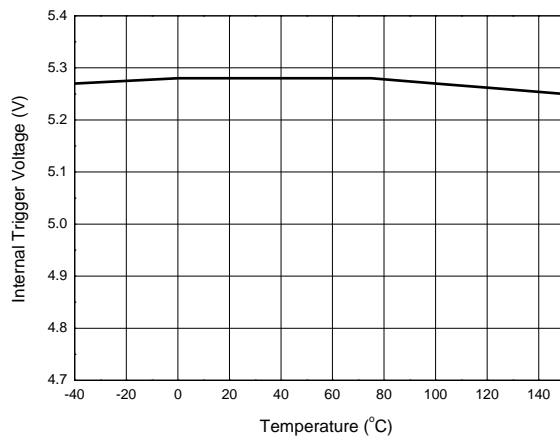
Startup Voltage vs. Temperature



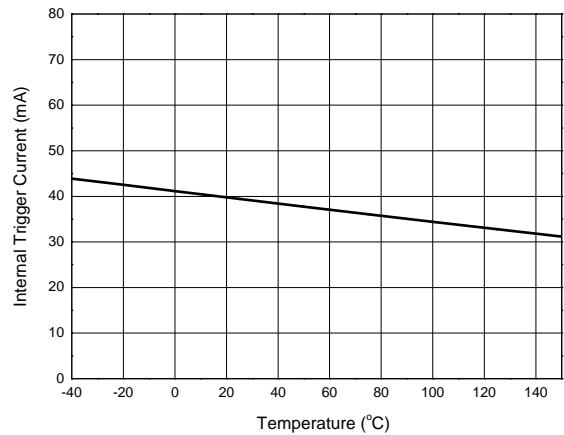
UVLO vs. Temperature



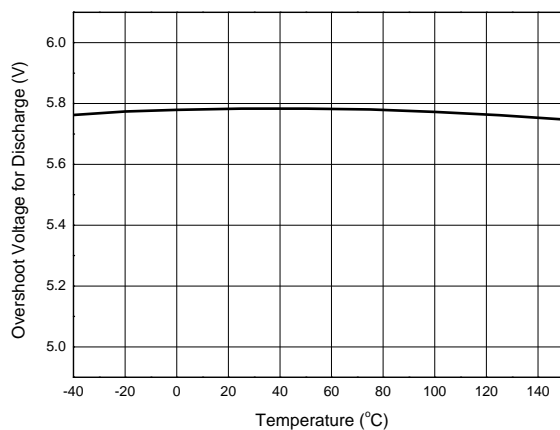
Internal Trigger Voltage vs. Temperature



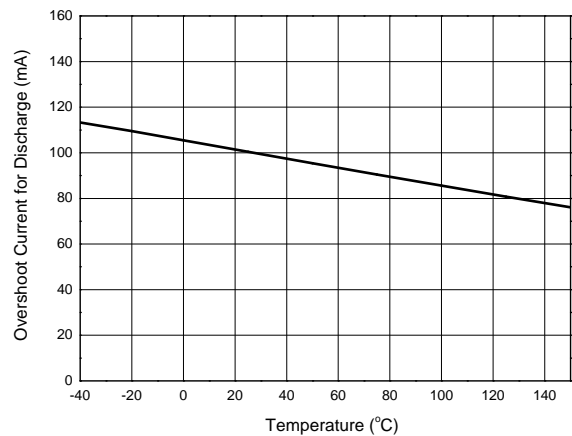
Internal Trigger Current vs. Temperature



Overshoot Voltage for Discharge vs. Temperature

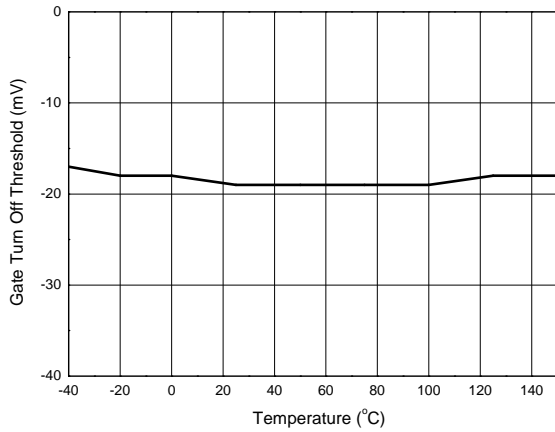


Overshoot Current for Discharge vs. Temperature

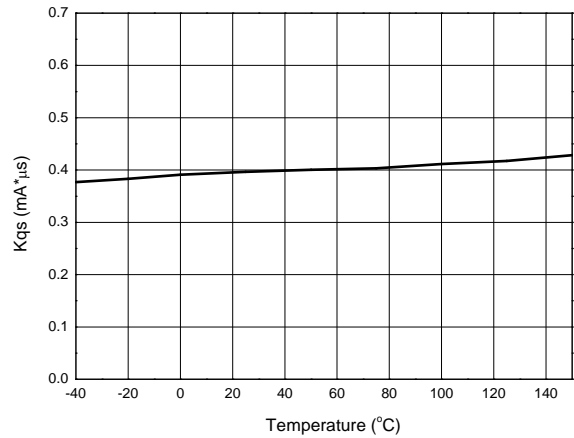


Performance Characteristics (Cont.)

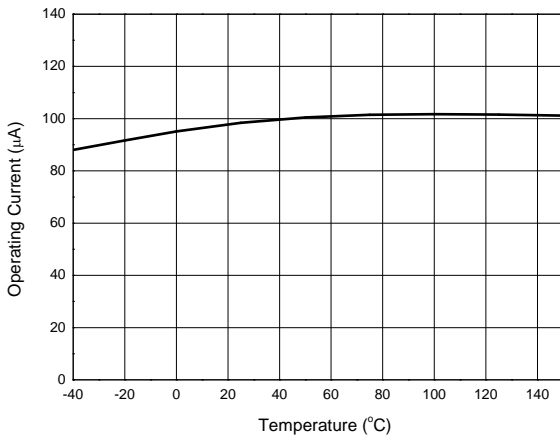
Gate Turn Off Threshold vs. Temperature



Kqs (See Note 6) vs. Temperature



Operating Current vs. Temperature



Output Voltage Detection Function Description

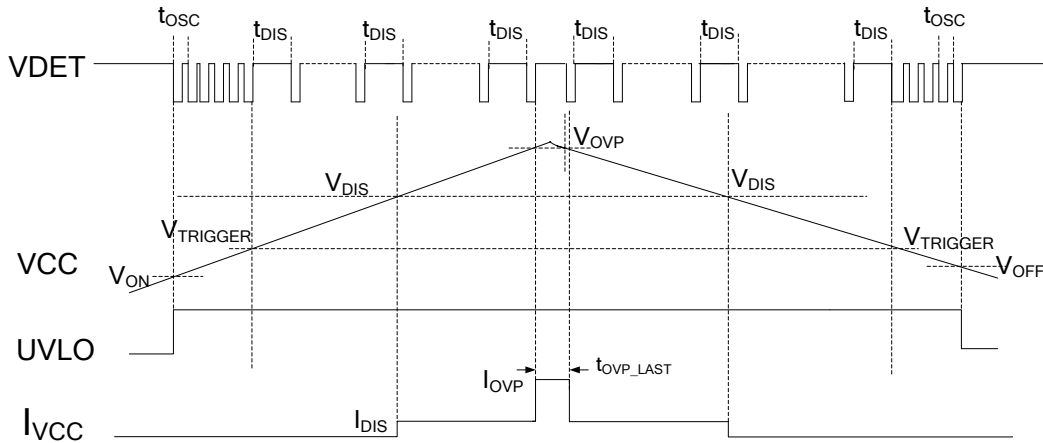


Figure 1. Typical Waveforms 1 of APR343

When V_{CC} is beyond power-on voltage (V_{ON}), the APR343 starts up. The VDET pin asserts a periodical pulse and the oscillation period is t_{OSC} . When V_{CC} is beyond the trigger voltage ($V_{TRIGGER}$), the periodical pulse at VDET pin is discontinued. When V_{CC} is beyond the discharge voltage (V_{DIS}), the discharge circuit will be enabled, and a 3mA current (I_{DIS}) will flow into VCC pin. When V_{CC} is higher than the overshoot voltage (V_{OVP}), the APR343 will enable a discharge circuit, the discharge current (I_{OVP}) will last t_{OVP_LAST} time. After the t_{OVP_LAST} time, APR343 will stop the discharge current and detect VCC voltage again. If V_{CC} is still higher than V_{OVP} , the t_{OVP_LAST} time discharge current will be enabled again. Once the OVP discharge current is asserted, the periodical pulse at VDET pin will be disabled.

When the V_{CC} is below the power-off voltage (V_{OFF}), the APR343 will be shut down.

MOSFET Driver Operation Description

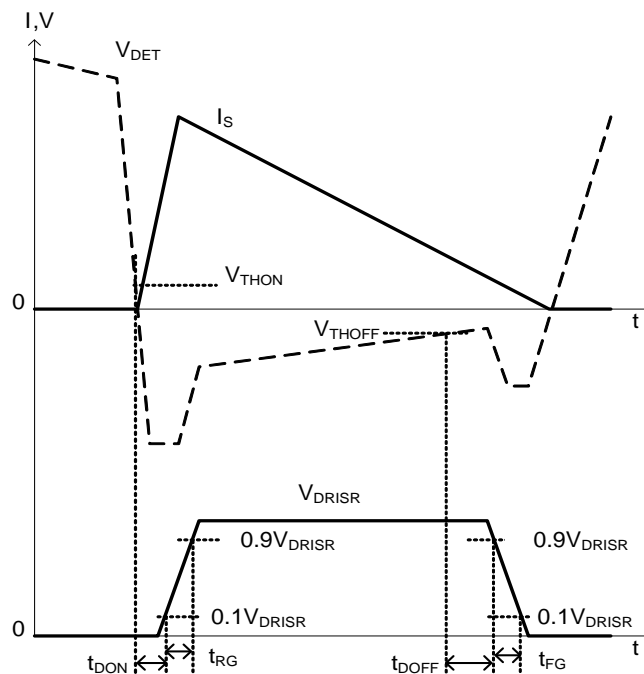


Figure 2. Typical Waveforms 2 of APR343

MOSFET Driver Operation Description (Cont.)

The operation of the SR is described with timing diagram shown in Figure 2. APR343 monitors the MOSFET drain-source voltage. When the drain voltage is lower than the turn-on threshold voltage V_{THON} , the IC outputs a positive drive voltage after a turn-on delay time (t_{DON}). The MOSFET will turn on and the current will transfer from the body diode into the MOSFET's channel.

In the process of drain current decreasing linearly toward zero, the drain-source voltage rises synchronically. When it rises over the turn off threshold voltage V_{THOFF} , APR343 pulls the drive signal down after a turn off delay (t_{DOFF}).

Minimum On Time

When the controlled MOSFET gate is turned on, some ringing noise is generated. The minimum on-time timer blanks the V_{THOFF} comparator, keeping the controlled MOSFET on for at least the minimum on time. If V_{THOFF} falls below the threshold before minimum on time expires, the MOSFET will keep on until the end of the minimum on time.

The minimum on time is in direct proportion to the $(V_{DET}-V_{CC}) * t_{ONP}$. When $(V_{DET}-V_{CC}) * t_{ONP} = 5V * 5\mu s$, the minimum on time is about 1.8 μs .

The Value and Meaning of AREF Resistor

As to DCM operation Flyback converter, after secondary rectifier stops conduction the primary MOSFET Drain-to-source ringing waveform is resulted from the resonant of primary inductance and equivalent switch device output capacitance. This ringing waveform probably leads to Synchronous Rectifier error conduction. To avoid this fault happening, APR343 has a special function design by means of volt-second product detecting. From the sensed voltage of VDET pin to see, the volt-second product of voltage above V_{CC} at primary switch on time is much higher than the volt-second product of each cycle ringing voltage above V_{CC} . Therefore, before every time Synchronous Rectifier turning on, APR343 judges if the detected volt-second product of VDET voltage above V_{CC} is higher than a threshold and then turn on synchronous Rectifier. The purpose of AREF resistor is to determine the volt-second product threshold. APR343 has a parameter, Kqs, which converts R_{AREF} value to volt-second product.

$$Area2 = R_{AREF} * Kqs$$

In general, Area1 and Area3 value depend on system design and always are fixed after system design frozen. As to BCD PSR design, the Area1 value changes with primary peak current value and Area3 value generally keeps constant at all of conditions. So the AREF resistor design should consider the worst case, the minimum primary peak current condition. Since of system design parameter distribution, Area1 and Area3 have moderate tolerance. So Area2 should be designed between the middle of Area1 and Area3 to keep enough design margin.

$$Area3 < R_{AREF} * Kqs < Area1$$

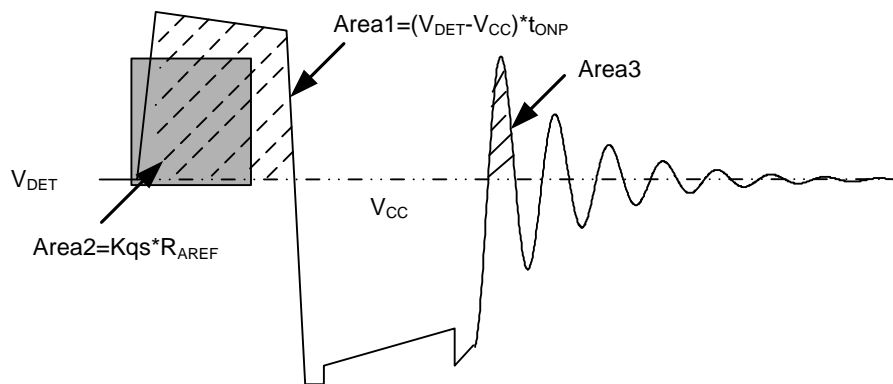
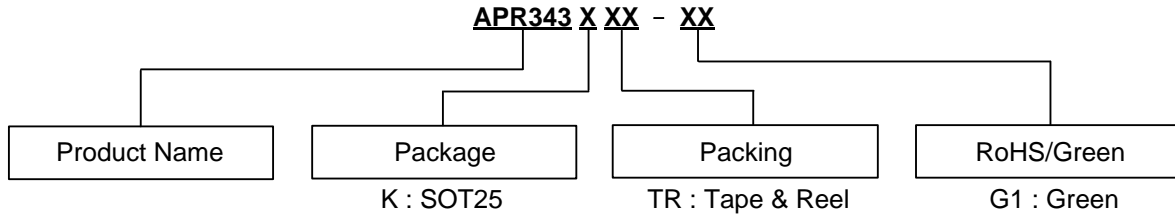


Figure 3. AREF Function

SR Minimum Operating Voltage

APR343 sets a minimum SR operating voltage by comparing the difference between V_{DET} and output voltage (V_{CC}). The value of $V_{DET}-V_{CC}$ must be higher than its internal reference, then APR343 will begin to integrate the area of $(V_{DET}-V_{CC}) * t_{ONP}$. If not, the area integrating will not begin and the SR driver will be disabled.

Ordering Information



Package	Temperature Range	Part Number	Marking ID	Packing
SOT25	-40°C to +85°C	APR343KTR-G1	GHZ	3000/Tape & Reel

Marking Information

(Top View)

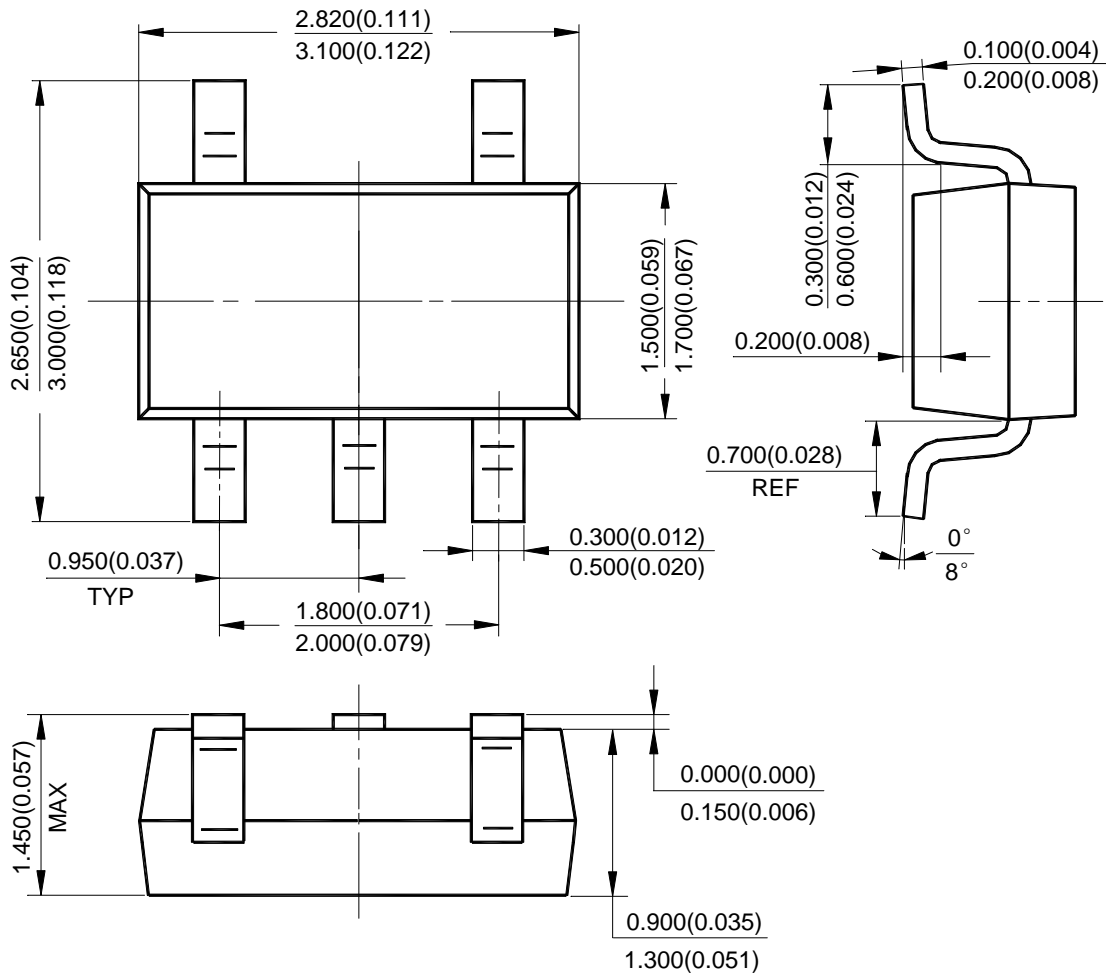


: Logo
 GHZ: Marking ID

NEW PRODUCT

Package Outline Dimensions (All dimensions in mm(inch).)

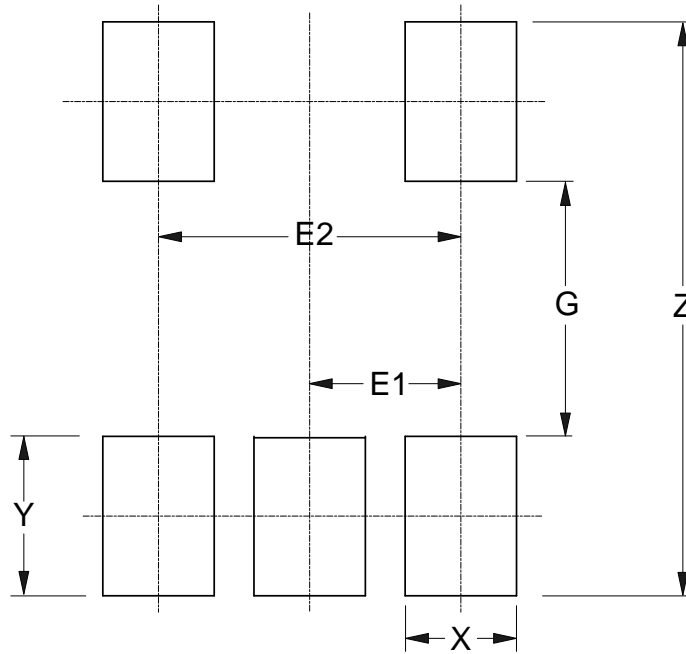
(1) Package Type: SOT25



NEW PRODUCT

Suggested Pad Layout

(1) Package Type: SOT25



Dimensions	Z (mm)/(inch)	G (mm)/(inch)	X (mm)/(inch)	Y (mm)/(inch)	E1 (mm)/(inch)	E2 (mm)/(inch)
Value	3.600/0.142	1.600/0.063	0.700/0.028	1.000/0.039	0.950/0.037	1.900/0.075

IMPORTANT NOTICE

DIODES INCORPORATED MAKES NO WARRANTY OF ANY KIND, EXPRESS OR IMPLIED, WITH REGARDS TO THIS DOCUMENT, INCLUDING, BUT NOT LIMITED TO, THE IMPLIED WARRANTIES OF MERCHANTABILITY AND FITNESS FOR A PARTICULAR PURPOSE (AND THEIR EQUIVALENTS UNDER THE LAWS OF ANY JURISDICTION).

Diodes Incorporated and its subsidiaries reserve the right to make modifications, enhancements, improvements, corrections or other changes without further notice to this document and any product described herein. Diodes Incorporated does not assume any liability arising out of the application or use of this document or any product described herein; neither does Diodes Incorporated convey any license under its patent or trademark rights, nor the rights of others. Any Customer or user of this document or products described herein in such applications shall assume all risks of such use and will agree to hold Diodes Incorporated and all the companies whose products are represented on Diodes Incorporated website, harmless against all damages.

Diodes Incorporated does not warrant or accept any liability whatsoever in respect of any products purchased through unauthorized sales channel. Should Customers purchase or use Diodes Incorporated products for any unintended or unauthorized application, Customers shall indemnify and hold Diodes Incorporated and its representatives harmless against all claims, damages, expenses, and attorney fees arising out of, directly or indirectly, any claim of personal injury or death associated with such unintended or unauthorized application.

Products described herein may be covered by one or more United States, international or foreign patents pending. Product names and markings noted herein may also be covered by one or more United States, international or foreign trademarks.

This document is written in English but may be translated into multiple languages for reference. Only the English version of this document is the final and determinative format released by Diodes Incorporated.

LIFE SUPPORT

Diodes Incorporated products are specifically not authorized for use as critical components in life support devices or systems without the express written approval of the Chief Executive Officer of Diodes Incorporated. As used herein:

A. Life support devices or systems are devices or systems which:

1. are intended to implant into the body, or
2. support or sustain life and whose failure to perform when properly used in accordance with instructions for use provided in the labeling can be reasonably expected to result in significant injury to the user.

B. A critical component is any component in a life support device or system whose failure to perform can be reasonably expected to cause the failure of the life support device or to affect its safety or effectiveness.

Customers represent that they have all necessary expertise in the safety and regulatory ramifications of their life support devices or systems, and acknowledge and agree that they are solely responsible for all legal, regulatory and safety-related requirements concerning their products and any use of Diodes Incorporated products in such safety-critical, life support devices or systems, notwithstanding any devices- or systems-related information or support that may be provided by Diodes Incorporated. Further, Customers must fully indemnify Diodes Incorporated and its representatives against any damages arising out of the use of Diodes Incorporated products in such safety-critical, life support devices or systems.

Copyright © 2014, Diodes Incorporated

www.diodes.com



Стандарт Электрон Связь

Мы молодая и активно развивающаяся компания в области поставок электронных компонентов. Мы поставляем электронные компоненты отечественного и импортного производства напрямую от производителей и с крупнейших складов мира.

Благодаря сотрудничеству с мировыми поставщиками мы осуществляем комплексные и плановые поставки широчайшего спектра электронных компонентов.

Собственная эффективная логистика и склад в обеспечивает надежную поставку продукции в точно указанные сроки по всей России.

Мы осуществляем техническую поддержку нашим клиентам и предпродажную проверку качества продукции. На все поставляемые продукты мы предоставляем гарантию .

Осуществляем поставки продукции под контролем ВП МО РФ на предприятия военно-промышленного комплекса России , а также работаем в рамках 275 ФЗ с открытием отдельных счетов в уполномоченном банке. Система менеджмента качества компании соответствует требованиям ГОСТ ISO 9001.

Минимальные сроки поставки, гибкие цены, неограниченный ассортимент и индивидуальный подход к клиентам являются основой для выстраивания долгосрочного и эффективного сотрудничества с предприятиями радиоэлектронной промышленности, предприятиями ВПК и научно-исследовательскими институтами России.

С нами вы становитесь еще успешнее!

Наши контакты:

Телефон: +7 812 627 14 35

Электронная почта: sales@st-electron.ru

Адрес: 198099, Санкт-Петербург,
Промышленная ул, дом № 19, литера Н,
помещение 100-Н Офис 331