



# High-Current, 25Ω, SPDT, CMOS Analog Switches

MAX4659/MAX4660

## General Description

The MAX4659/MAX4660 are medium voltage CMOS analog switches with a low on-resistance of 25Ω max specifically designed to handle large switch currents. With a switch capability of up to 200mA peak current and 150mA continuous current (MAX4660), and up to 150mA peak current and 75mA continuous current (MAX4659), these parts can switch loads as low as 50Ω. They can replace reed relays with a million times the speed and a virtually unlimited number of lifetime cycles. Normal power consumption is only 3mW, whether the switch is on or off. These parts are TTL/CMOS compatible and will switch any voltage within their power-supply range.

The devices are single-pole/double-throw (SPDT) switches. The MAX4659/MAX4660 contain one normally closed (NC) switch and one normally open (NO) switch.

The MAX4659/MAX4660s' power-supply range is from ±4.5V to ±20V for dual-supply operation and +9V to +40V for single-supply operation. These switches can operate from any combination of supplies, within a 40V V+ to V- range. They conduct equally well in either direction and can handle rail-to-rail analog signals. The off-leakage current is only 1nA max at T<sub>A</sub> = +25°C. The MAX4659 is available in 8-pin μMAX<sup>®</sup> and SO packages. The MAX4660 is available in thermally enhanced exposed paddle μMAX and SO packages.

## Applications

- Relay Replacement
- Test Equipment
- Communication Systems
- xDSL Modems
- PBX, PABX Systems
- Audio Signal Routing
- Audio Systems
- PC Multimedia Boards
- Redundant/Backup Systems

μMAX is a registered trademark of Maxim Integrated Products, Inc.

## Features

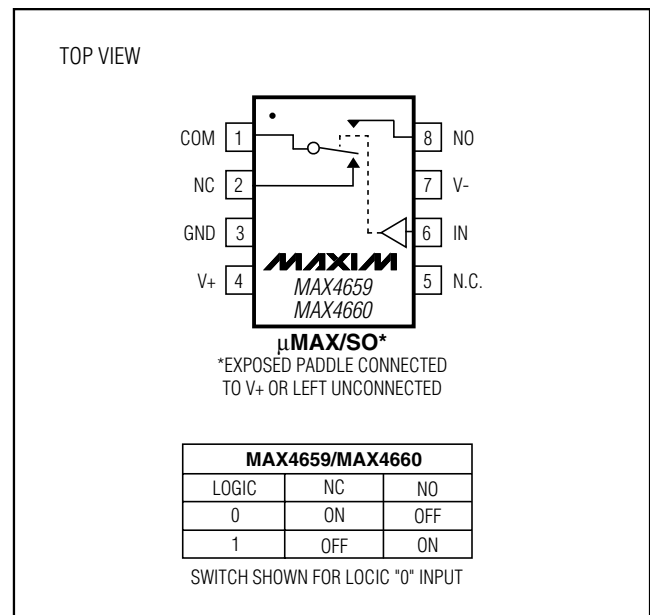
- ◆ High Continuous Current Handling
  - 150mA Continuous Current (MAX4660)
  - 75mA Continuous Current (MAX4659)
- ◆ High Peak Current Handling
  - 200mA Peak Current (MAX4660)
  - 150mA Peak Current (MAX4659)
- ◆ 25Ω max On-Resistance (±15V Supplies)
- ◆ V<sub>L</sub> Supply Not Required
- ◆ 1.5Ω max R<sub>ON</sub> Flatness (±15V Supplies)
- ◆ Rail-to-Rail Signal Handling
- ◆ +12V Single Supply or ±15V Dual-Supply Operation
- ◆ Pin Compatible with DG419, MAX319

## Ordering Information

PART	TEMP RANGE	PIN-PACKAGE	PKG CODE
MAX4659EUA	-40°C to +85°C	8 μMAX	U8-1
MAX4659ESA	-40°C to +85°C	8 SO	S8-2
MAX4660EUA	-40°C to +85°C	8 μMAX-EP*	U8E-2
MAX4660ESA	-40°C to +85°C	8 SO-EP*	S8E-12

\*EP = Exposed paddle.

## Pin Configuration



**For pricing, delivery, and ordering information, please contact Maxim/Dallas Direct! at 1-888-629-4642, or visit Maxim's website at [www.maxim-ic.com](http://www.maxim-ic.com).**

# High-Current, 25Ω, SPDT, CMOS Analog Switches

## ABSOLUTE MAXIMUM RATINGS

V+ to GND	-0.3V to +44V	8-Pin μMAX (derate 4.50mW/°C above +70°C)	
V- to GND	-44V to +0.3V	MAX4659	362mW
V+ to V-	-0.3V to +44V	8-Pin SO-EP (derate 18.9mW/°C above +70°C)	
All Other Pins to GND (Note 1)	(V- - 0.3V) to (V+ + 0.3V)	MAX4660	1509mW
Continuous Current COM, NO, NC (MAX4660)	±150mA	8-Pin SO (derate 5.88mW/°C above +70°C)	
Continuous Current COM, NO, NC (MAX4659)	±75mA	MAX4659	471mW
Continuous Current IN	±30mA	Operating Temperature Ranges	
Peak Current COM, NO, NC		MAX4659/MAX4660	-40°C to +85°C
MAX4660 (pulsed at 1ms, 10% duty cycle)	±200mA	Junction Temperature	+150°C
MAX4659 (pulsed at 1ms, 10% duty cycle)	±150mA	8-Pin SO Storage Temperature Range	-65°C to +150°C
Continuous Power Dissipation (TA = +70°C)		Lead Temperature (soldering, 10s)	+300°C
8-Pin μMAX-EP (derate 10.3mW/°C above +70°C)			
MAX4660	825mW		

**Note 1:** Signals on NO, NC, COM, or IN exceeding V+ or V- are clamped by internal diodes. Limit forward-diode current to maximum current rating.

Stresses beyond those listed under "Absolute Maximum Ratings" may cause permanent damage to the device. These are stress ratings only, and functional operation of the device at these or any other conditions beyond those indicated in the operational sections of the specifications is not implied. Exposure to absolute maximum rating conditions for extended periods may affect device reliability.

## ELECTRICAL CHARACTERISTICS—Dual Supplies

(V+ = +15V, V- = -15V, VIH = 2.4V, VIL = 0.8V, TA = TMIN to TMAX, unless otherwise noted. Typical values are at TA = +25°C.) (Notes 2, 6)

PARAMETER	SYMBOL	CONDITIONS	TA	MIN	TYP	MAX	UNITS
<b>ANALOG SWITCH</b>							
Analog Signal Range	VCOM, VNO, VNC			V-		V+	V
On-Resistance	RON	ICOM = 50mA; VNO or VNC = ±10V	+25°C	18	25		Ω
			TMIN to TMAX		30		
On-Resistance Matching Between Channels	ΔRON	ICOM = 50mA; VNO or VNC = ±10V	+25°C	0.4	1.2		Ω
			TMIN to TMAX		1.5		
On-Resistance Flatness (Note 3)	RFLAT (ON)	ICOM = 50mA; VNO or VNC = -5V, 0, +5V	+25°C	0.5	1.5		Ω
			TMIN to TMAX		2		
NO or NC Off-Leakage Current (Note 4)	INO(OFF) or INC(OFF)	VCOM = -14.5V, +14.5V; VNO or VNC = +14.5V, -14.5V	+25°C	-1	0.01	1	nA
			TMIN to TMAX	-10		10	
COM On-Leakage Current (Note 4)	ICOM(ON)	VCOM = +14.5V, -14.5V; VNO or VNC = +14.5V, -14.5V, or floating	+25°C	-2	0.02	2	nA
			TMIN to TMAX	-20		20	
<b>DYNAMIC CHARACTERISTICS</b>							
Transition Time	tTRANS	VNO or VNC = 10V; RL = 300Ω, CL = 35pF; Figure 3	+25°C	85	150		ns
			TMIN to TMAX		200		
Break-Before-Make Delay	tBBM	VNO or VNC = 10V; RL = 300Ω, CL = 35pF, Figure 3	+25°C	10	20		ns
			TMIN to TMAX	5			

# High-Current, 25Ω, SPDT, CMOS Analog Switches

MAX4659/MAX4660

## ELECTRICAL CHARACTERISTICS—Dual Supplies (continued)

(V+ = +15V, V- = -15V, V<sub>IH</sub> = 2.4V, V<sub>IL</sub> = 0.8V, T<sub>A</sub> = T<sub>MIN</sub> to T<sub>MAX</sub>, unless otherwise noted. Typical values are at T<sub>A</sub> = +25°C.) (Notes 2, 6)

PARAMETER	SYMBOL	CONDITIONS	T <sub>A</sub>	MIN	TYP	MAX	UNITS
Charge Injection	Q	V <sub>GEN</sub> = 0, R <sub>GEN</sub> = 0, C <sub>L</sub> = 1nF, Figure 4	+25°C		1.5		pC
-3dB Bandwidth	BW		+25°C		225		MHz
Off-Isolation (Note 5)	V <sub>ISO</sub>	f = 1MHz, R <sub>L</sub> = 50Ω, Figure 5	+25°C		-70		dB
Total Harmonic Distortion	THD	f = 20Hz to 20kHz, V <sub>NL</sub> = 5Vp-p, R <sub>L</sub> = 600Ω	+25°C		0.005		%
Crosstalk	V <sub>CROSS</sub>	R <sub>L</sub> = 50Ω, C <sub>L</sub> = 5pF, f = 1MHz, Figure 6	+25°C		-76		dB
NO or NC Off-Capacitance	C <sub>NO(OFF)</sub> , C <sub>NC(OFF)</sub>	f = 1MHz, Figure 7	+25°C		6		pF
COM On-Capacitance	C <sub>COM(ON)</sub>	f = 1MHz, Figure 8	+25°C		25		pF
<b>DIGITAL I/O</b>							
Input Logic High	V <sub>IH</sub>		T <sub>MIN</sub> to T <sub>MAX</sub>	2.4			V
Input Logic Low	V <sub>IL</sub>		T <sub>MIN</sub> to T <sub>MAX</sub>			0.8	V
Input Leakage Current	I <sub>IN</sub>	V <sub>IN</sub> = 0.8V or 2.4V	T <sub>MIN</sub> to T <sub>MAX</sub>	-1		1	μA
<b>POWER SUPPLY</b>							
Power-Supply Range			T <sub>MIN</sub> to T <sub>MAX</sub>	±4.5		±20	V
Positive Supply Current	I <sub>+</sub>	V <sub>IN</sub> = 0 or 5V, V <sub>NL</sub> = 3V, I <sub>SWITCH</sub> = 100mA, MAX4660; I <sub>SWITCH</sub> = 50mA, MAX4659	+25°C	135		200	μA
			T <sub>MIN</sub> to T <sub>MAX</sub>			300	
Negative Supply Current	I <sub>-</sub>	V <sub>IN</sub> = 0 or 5V, V <sub>NL</sub> = 3V, I <sub>SWITCH</sub> = 100mA, MAX4660; I <sub>SWITCH</sub> = 50mA, MAX4659	+25°C	30		50	μA
			T <sub>MIN</sub> to T <sub>MAX</sub>			75	
Ground Current	I <sub>GND</sub>	V <sub>IN</sub> = 0 or 5V, V <sub>NL</sub> = 3V, I <sub>SWITCH</sub> = 100mA, MAX4660; I <sub>SWITCH</sub> = 50mA, MAX4659	+25°C	100		175	μA
			T <sub>MIN</sub> to T <sub>MAX</sub>			225	

# High-Current, 25Ω, SPDT, CMOS Analog Switches

## ELECTRICAL CHARACTERISTICS—Single Supply

(V+ = +12V, V- = 0, V<sub>IH</sub> = 2.4V, V<sub>IL</sub> = 0.8V, T<sub>A</sub> = T<sub>MIN</sub> to T<sub>MAX</sub>, unless otherwise noted. Typical values are at T<sub>A</sub> = +25°C.) (Notes 2, 6)

PARAMETER	SYMBOL	CONDITIONS	T <sub>A</sub>	MIN	TYP	MAX	UNITS
<b>ANALOG SWITCH</b>							
Analog Signal Range	V <sub>IN</sub>		T <sub>MIN</sub> to T <sub>MAX</sub>	0		V+	V
On-Resistance	R <sub>ON</sub>	I <sub>COM</sub> = 25mA; V <sub>NO</sub> or V <sub>NC</sub> = +10V	+25°C	38		50	Ω
			T <sub>MIN</sub> to T <sub>MAX</sub>			60	
On-Resistance Matching Between Channels	ΔR <sub>ON</sub>	I <sub>COM</sub> = 25mA; V <sub>NO</sub> or V <sub>NC</sub> = ±10V	+25°C	0.4		2	Ω
			T <sub>MIN</sub> to T <sub>MAX</sub>			2.5	
On-Resistance Flatness (Note 3)	R <sub>FLAT</sub> (ON)	I <sub>COM</sub> = 25mA; V <sub>NO</sub> or V <sub>NC</sub> = +2V, +6V, +10V	+25°C	4		7	Ω
			T <sub>MIN</sub> to T <sub>MAX</sub>			9	
<b>DYNAMIC CHARACTERISTICS</b>							
Transition Time	t <sub>TRANS</sub>	V <sub>NO</sub> or V <sub>NC</sub> = 10V; R <sub>L</sub> = 300Ω; C <sub>L</sub> = 35pF, Figure 2	+25°C	120		200	ns
			T <sub>MIN</sub> to T <sub>MAX</sub>			250	
Break-Before-Make Delay	t <sub>BBM</sub>	V <sub>NO</sub> or V <sub>NC</sub> = 10V; R <sub>L</sub> = 300Ω; C <sub>L</sub> = 35pF, Figure 2	+25°C	20		50	ns
			T <sub>MIN</sub> to T <sub>MAX</sub>	10			
Charge Injection	Q	V <sub>GEN</sub> = 0, R <sub>GEN</sub> = 0, C <sub>L</sub> = 1nF, Figure 4	+25°C		1		pC
<b>POWER SUPPLY</b>							
Power-Supply Range	V+			+9		+40	V
Positive Supply Current	I+	V <sub>IN</sub> = 0 or 12V, V <sub>N-</sub> = 3V; I <sub>SWITCH</sub> = 50mA, MAX4660; I <sub>SWITCH</sub> = 25mA, MAX4659	+25°C	50		100	μA
			T <sub>MIN</sub> to T <sub>MAX</sub>			125	
		V <sub>IN</sub> = 5V, V <sub>N-</sub> = 3V; I <sub>SWITCH</sub> = 50mA, MAX4660; I <sub>SWITCH</sub> = 25mA, MAX4659	+25°C	70		125	
			T <sub>MIN</sub> to T <sub>MAX</sub>			150	

**Note 2:** The algebraic convention is used in this data sheet; the most negative value is shown in the minimum column.

**Note 3:** Flatness is defined as the difference between the maximum and minimum value of on-resistance as measured over the specified analog signal range.

**Note 4:** Leakage parameters are 100% tested at maximum-rated hot temperature and guaranteed by correlation at T<sub>A</sub> = +25°C.

**Note 5:** Off-isolation = 20log<sub>10</sub> [V<sub>COM</sub> / (V<sub>NC</sub> or V<sub>NO</sub>)], V<sub>COM</sub> = output, V<sub>NC</sub> or V<sub>NO</sub> = input to off switch.

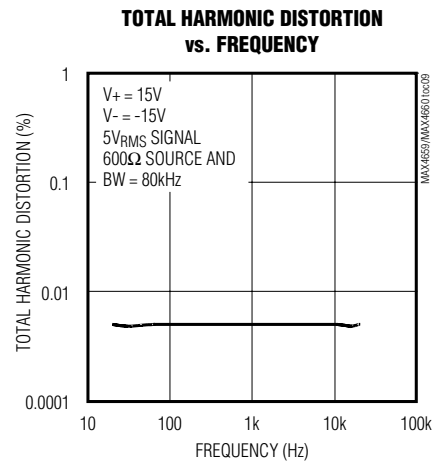
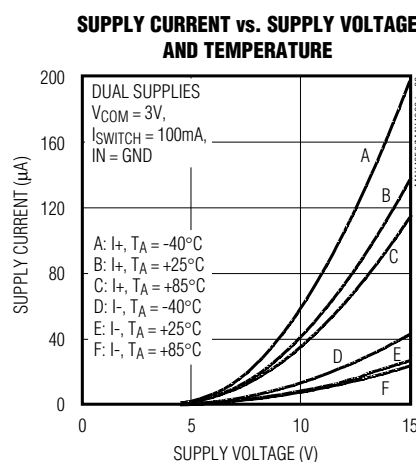
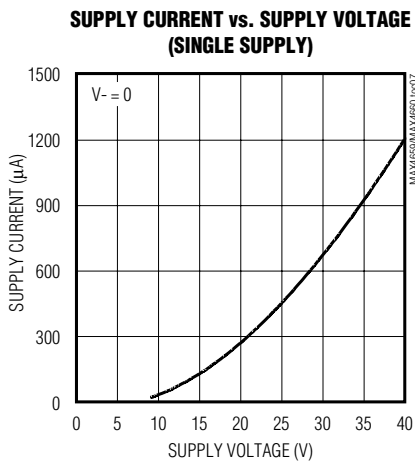
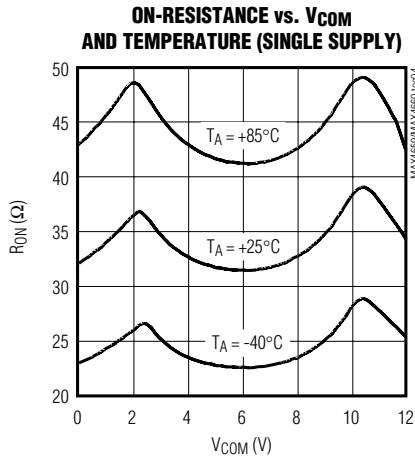
**Note 6:** -40°C specifications are guaranteed by design.

# High-Current, 25Ω, SPDT, CMOS Analog Switches

## Typical Operating Characteristics

( $T_A = +25^\circ\text{C}$ , unless otherwise noted.)

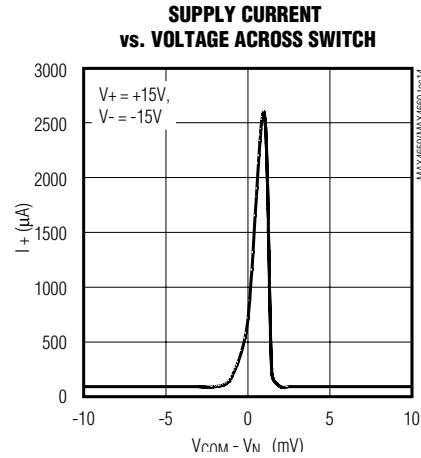
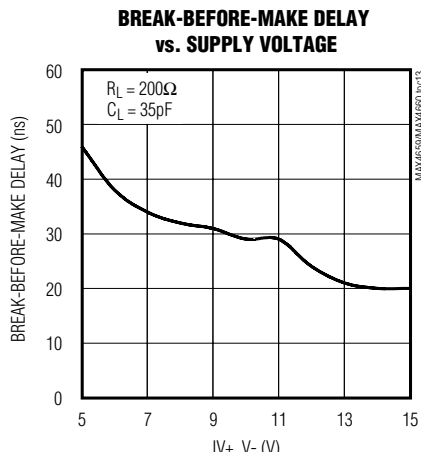
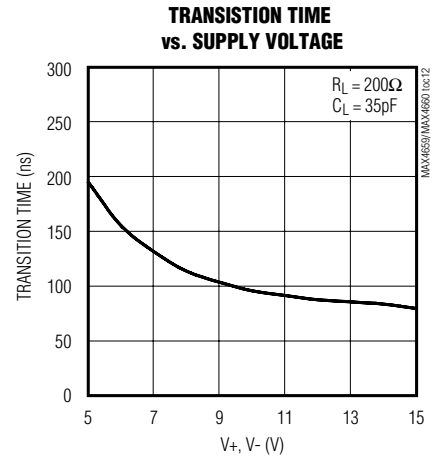
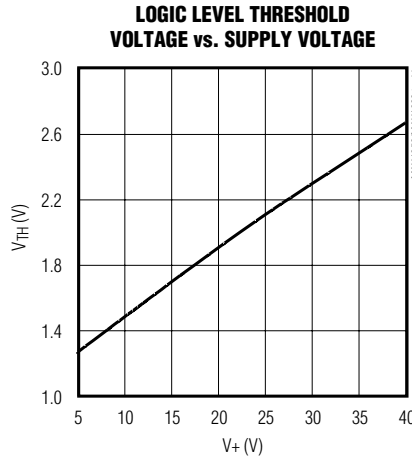
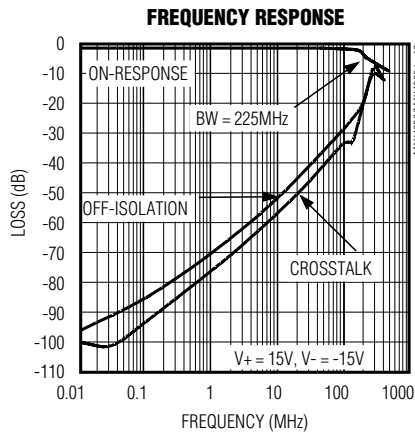
MAX4659/MAX4660



# High-Current, 25Ω, SPDT, CMOS Analog Switches

## Typical Operating Characteristics (continued)

(T<sub>A</sub> = +25°C, unless otherwise noted.)



## Pin Description

PIN	NAME	FUNCTION
1	COM	Analog Switch Common
2	NC	Normally Closed Switch Terminal. NC is connected to COM when IN is low.
3	GND	Ground
4	V+	Positive Supply Voltage Input
5	N.C.	No Connection
6	IN	Digital Control Input
7	V-	Negative Supply Voltage Input
8	NO	Normally Open Switch Terminal. NO is connected to COM when IN is high.
—	EP	Exposed Paddle. Connect EP to V+ or leave unconnected.

# High-Current, 25Ω, SPDT, CMOS Analog Switches

MAX4659/MAX4660

## Detailed Description

The MAX4659/MAX4660 are single, single-pole/double-throw (SPDT) CMOS analog switches. The CMOS switch construction provides rail-to-rail signal handling while consuming very little power. The switch is controlled by a TTL/CMOS level compatible digital input. The MAX4659/MAX4660 have a normally open switch and a normally closed switch.

These devices can be operated with either single power supplies or dual power supplies. Operation at up to  $\pm 20\text{V}$  supplies allows users a wide switching dynamic range. Additionally, asymmetrical operation is possible to tailor performance to a particular application.

These switches have been specifically designed to handle high switch currents, up to 200mA peak current and 150mA continuous currents. In order to do this, a new technique is used to drive the body of the output N-channel device. (Note: The basic switch between the input, NC/NO terminal and the output common terminal consists of an N-channel MOSFET and a P-channel MOSFET in parallel.) The standard method limits operation to approximately a 600mV drop across the switch. More than 600mV causes an increase in  $I_{D_{ON}}$  leakage current (due to the turn-on of on-chip parasitic diodes), and an increase in  $V_+$  supply current. With this new sensing method, there is no limitation to the voltage drop across the switch. Current and voltage are limited only by the power dissipation rating of the package and the absolute maximum ratings of the switch.

When the analog input voltage drop is approximately 7mV there is an increase in power supply current from 90 $\mu\text{A}$  to 2mA (typ) within a 1mV to 7mV range, caused by the new sensing/driving circuitry.

## Applications Information

### Overvoltage Protection

Proper power-supply sequencing is recommended for all CMOS devices. Do not exceed the absolute maximum ratings, because stresses beyond the listed ratings can cause permanent damage to the devices. First, connect GND, followed by  $V_+$ ,  $V_-$ , and the remaining pins. If power-supply sequencing is not possible, add two small-signal diodes (D1, D2) in series with

supply pins (Figure 1). Adding diodes reduces the analog signal range to one diode drop below  $V_+$  and one diode drop above  $V_-$ , but does not affect the devices' low switch resistance and low leakage characteristics. Device operation is unchanged, and the difference between  $V_+$  and  $V_-$  should not exceed 44V. The protection diode for the negative supply is not required when  $V_-$  is connected to GND.

### Off-Isolation at High Frequencies

In 50 $\Omega$  systems, the high-frequency on-response of these parts extends from DC to above 100MHz, with a typical loss of -2dB. When the switch is turned off, however, it behaves like a capacitor and off-isolation decreases with increasing frequency. This effect is more pronounced with higher source and load impedances. Above 5MHz, circuit board layout becomes critical. The graphs shown in the *Typical Operating Characteristics* were taken using a 50 $\Omega$  source and load connected with BNC connectors.

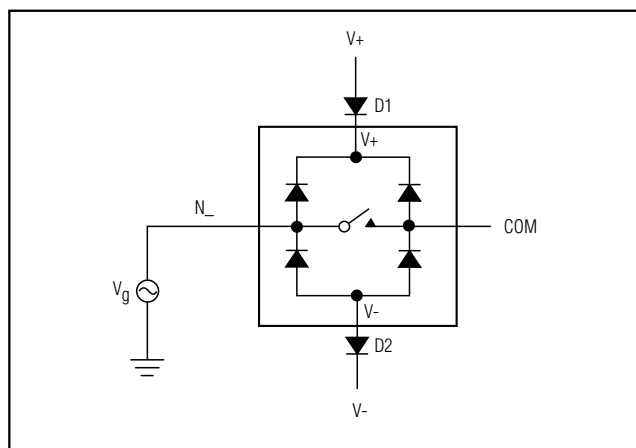


Figure 1. Overvoltage Protection Using Blocking Diodes

# High-Current, 25Ω, SPDT, CMOS Analog Switches

## Test Circuits/Timing Diagrams

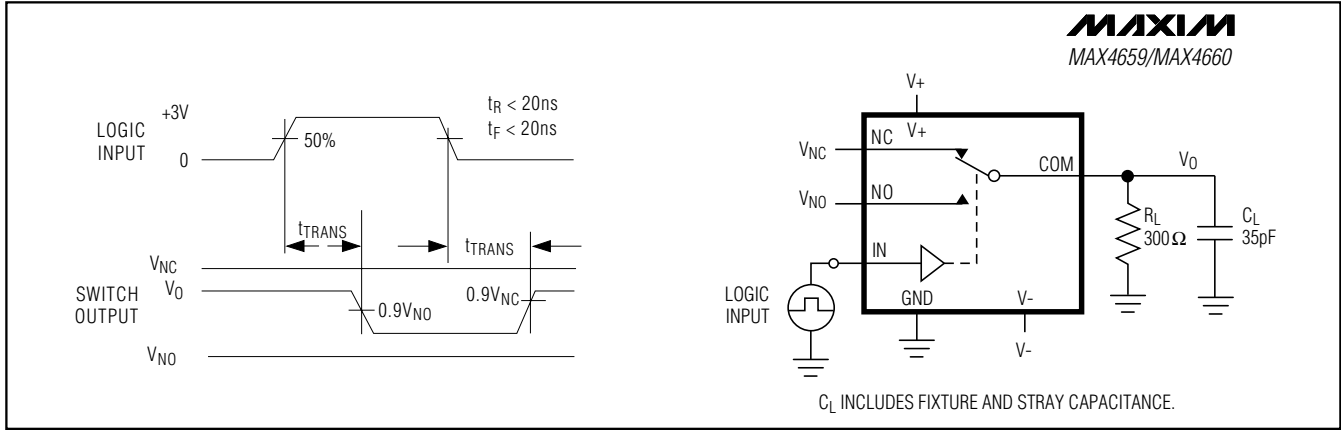


Figure 2. Functional Diagram

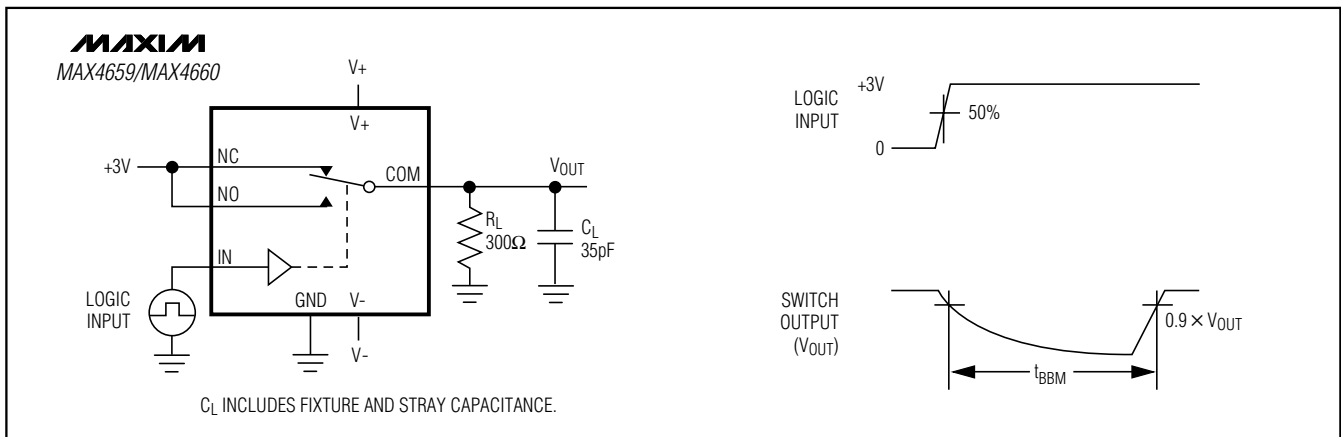


Figure 3. Break-Before-Make Time

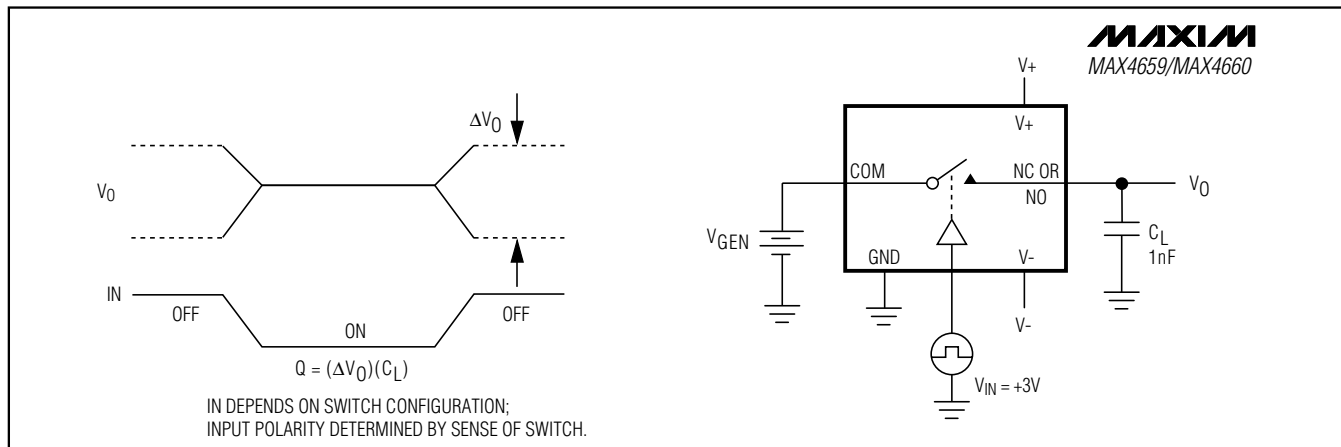


Figure 4. Charge Injection



# High-Current, 25Ω, SPDT, CMOS Analog Switches

## Test Circuits/Timing Diagrams (continued)

**MAX4659/MAX4660**

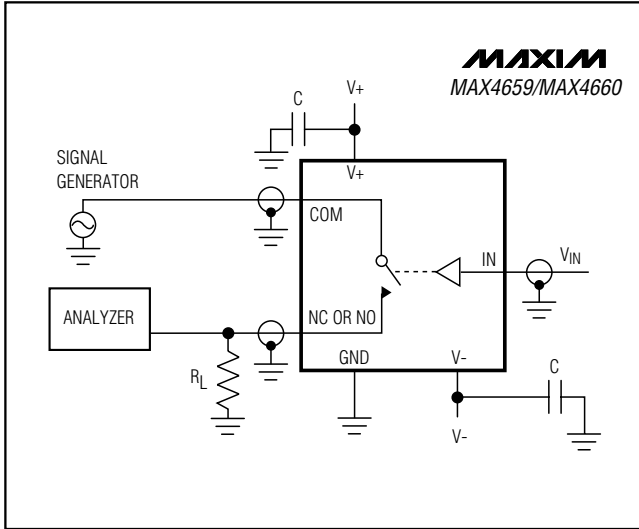


Figure 5. Off-Isolation



Figure 7. Channel Off-Capacitance

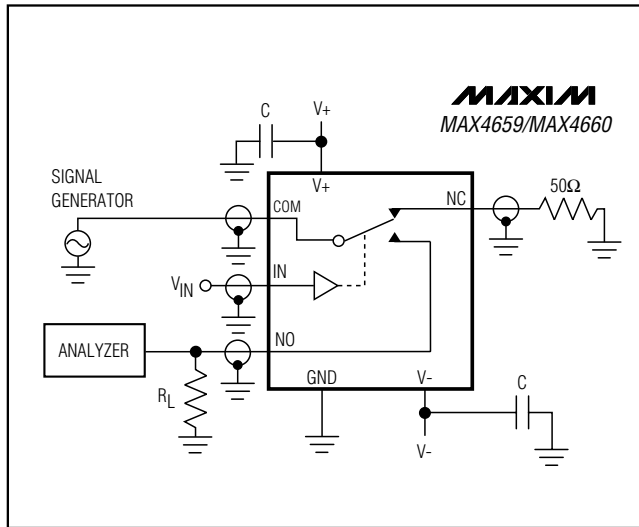


Figure 6. Crosstalk



Figure 8. Channel On-Capacitance

### Chip Information

TRANSISTOR COUNT: 45

PROCESS: CMOS

# High-Current, 25Ω, SPDT, CMOS Analog Switches

## Package Information

(The package drawing(s) in this data sheet may not reflect the most current specifications. For the latest package outline information, go to [www.maxim-ic.com/packages](http://www.maxim-ic.com/packages).)



# High-Current, 25Ω, SPDT, CMOS Analog Switches

## Package Information (continued)

(The package drawing(s) in this data sheet may not reflect the most current specifications. For the latest package outline information, go to [www.maxim-ic.com/packages](http://www.maxim-ic.com/packages).)

MAX4659/MAX4660



TOP VIEW



FRONT VIEW



SIDE VIEW

**NOTES:**

1. D&E DO NOT INCLUDE MOLD FLASH.
2. MOLD FLASH OR PROTRUSIONS NOT TO EXCEED 0.15mm (.006").
3. LEADS TO BE COPLANAR WITHIN 0.10mm (.004").
4. CONTROLLING DIMENSION: MILLIMETERS.
5. MEETS JEDEC MS012.
6. N = NUMBER OF PINS.

DIM	INCHES		MILLIMETERS	
	MIN	MAX	MIN	MAX
A	0.053	0.069	1.35	1.75
A1	0.004	0.010	0.10	0.25
B	0.014	0.019	0.35	0.49
C	0.007	0.010	0.19	0.25
e	0.050 BSC		1.27 BSC	
E	0.150	0.157	3.80	4.00
H	0.228	0.244	5.80	6.20
L	0.016	0.050	0.40	1.27

VARIATIONS:

DIM	INCHES		MILLIMETERS		N	MS012
	MIN	MAX	MIN	MAX		
D	0.189	0.197	4.80	5.00	8	AA
D	0.337	0.344	8.55	8.75	14	AB
D	0.386	0.394	9.80	10.00	16	AC

<b>DALLAS SEMICONDUCTOR</b>		<b>MAXIM</b>	
PROPRIETARY INFORMATION			
TITLE: PACKAGE OUTLINE, .150" SOIC			
APPROVAL	DOCUMENT CONTROL NO. 21-0041	REV. B	1/1

SOICN EP5

# High-Current, 25Ω, SPDT, CMOS Analog Switches

## Package Information (continued)

(The package drawing(s) in this data sheet may not reflect the most current specifications. For the latest package outline information, go to [www.maxim-ic.com/packages](http://www.maxim-ic.com/packages).)



## Revision History

Pages changed at Rev 1: 1, 6, 12

Maxim cannot assume responsibility for use of any circuitry other than circuitry entirely embodied in a Maxim product. No circuit patent licenses are implied. Maxim reserves the right to change the circuitry and specifications without notice at any time.

12 Maxim Integrated Products, 120 San Gabriel Drive, Sunnyvale, CA 94086 408-737-7600



## Стандарт Электрон Связь

Мы молодая и активно развивающаяся компания в области поставок электронных компонентов. Мы поставляем электронные компоненты отечественного и импортного производства напрямую от производителей и с крупнейших складов мира.

Благодаря сотрудничеству с мировыми поставщиками мы осуществляем комплексные и плановые поставки широчайшего спектра электронных компонентов.

Собственная эффективная логистика и склад в обеспечивает надежную поставку продукции в точно указанные сроки по всей России.

Мы осуществляем техническую поддержку нашим клиентам и предпродажную проверку качества продукции. На все поставляемые продукты мы предоставляем гарантию .

Осуществляем поставки продукции под контролем ВП МО РФ на предприятия военно-промышленного комплекса России , а также работаем в рамках 275 ФЗ с открытием отдельных счетов в уполномоченном банке. Система менеджмента качества компании соответствует требованиям ГОСТ ISO 9001.

Минимальные сроки поставки, гибкие цены, неограниченный ассортимент и индивидуальный подход к клиентам являются основой для выстраивания долгосрочного и эффективного сотрудничества с предприятиями радиоэлектронной промышленности, предприятиями ВПК и научно-исследовательскими институтами России.

С нами вы становитесь еще успешнее!

### Наши контакты:

**Телефон:** +7 812 627 14 35

**Электронная почта:** [sales@st-electron.ru](mailto:sales@st-electron.ru)

**Адрес:** 198099, Санкт-Петербург,  
Промышленная ул, дом № 19, литера Н,  
помещение 100-Н Офис 331