

## Thick Film Surface Mount Chip Resistors, Wraparound, Low Value (0.1 Ω to 0.91 Ω)



### FEATURES

- Low resistance values (0.1 Ω to 0.91 Ω)
- Suitable for current sensing and shunts
- Metal glaze on high quality ceramic
- Protective overglaze
- Solder contacts on Ni barrier layer
- Compliant to RoHS Directive 2002/95/EC
- Halogen-free according to IEC 61249-2-21 definition



### Note

\* Pb containing terminations are not RoHS compliant, exemptions may apply

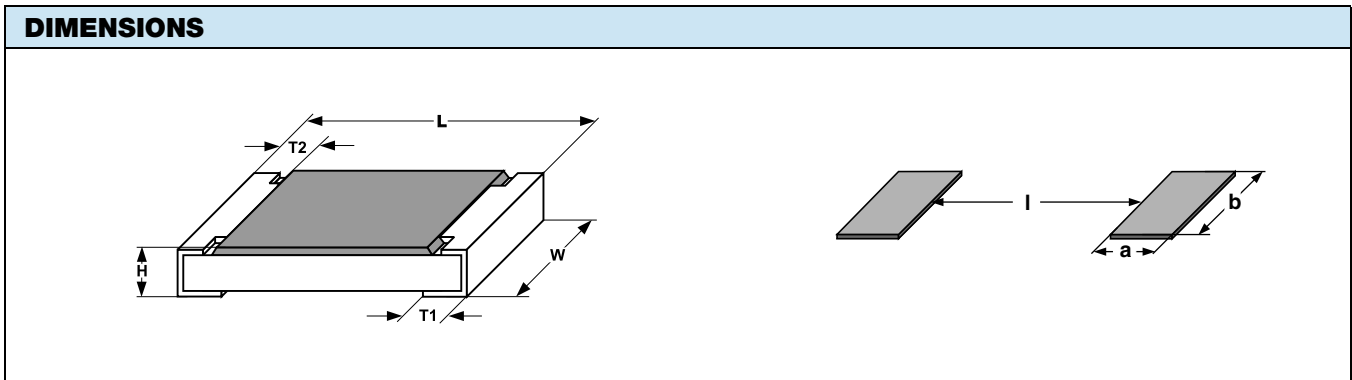
| STANDARD ELECTRICAL SPECIFICATIONS |           |   |  |                              |                      |          |
|------------------------------------|-----------|---|--|------------------------------|----------------------|----------|
| GLOBAL MODEL                       | CASE SIZE | POWER RATING<br>$P_{70^{\circ}\text{C}}$<br>W | TEMPERATURE COEFFICIENT<br>$\pm$ ppm/ $^{\circ}\text{C}$ | RESISTANCE RANGE<br>$\Omega$ | TOLERANCE<br>$\pm$ % | E-SERIES |
| RCWL0402                           | 0402      | 0.063   | 600  | 0.22 to 0.43                 | 5                    | 24       |
|                                    |           |   | 400  | 0.47 to 0.91                 |                      |          |
| RCWL0603                           | 0603      | 0.1   | 400  | 0.10 to 0.43                 | 5                    | 24       |
|                                    |           |   | 200  | 0.47 to 0.91                 |                      |          |
| RCWL0805                           | 0805      | 0.125   | 300  | 0.10 to 0.43                 | 5                    | 24       |
|                                    |           |   | 200  | 0.47 to 0.91                 |                      |          |
| RCWL1206                           | 1206      | 0.25  | 300  | 0.10 to 0.43                 | 5                    | 24       |
|                                    |           |   | 200  | 0.47 to 0.91                 |                      |          |
| RCWL1210                           | 1210      | 0.33  | 200  | 0.10 to 0.91                 | 5                    | 24       |
| RCWL1218                           | 1218      | 1.0   | 200  | 0.10 to 0.91                 | 5                    | 24       |
| RCWL2010                           | 2010      | 0.5   | 200  | 0.10 to 0.91                 | 5                    | 24       |
| RCWL2512                           | 2512      | 1.0   | 200  | 0.10 to 0.91                 | 5                    | 24       |

### Note

- Power rating depends on the max. temperature at the solder point, the component placement density and the substrate material.
- Part marking: Reference Surface Mount Resistor Marking document number 20020.
- The resistance is measured from the top side.

| GLOBAL PART NUMBER INFORMATION   |   |   |   |                              |   |   |   |                 |   |  |   |   |  |   |   |
|--|---|---|---|------------------------------|---|---|---|-----------------|---|--|---|---|--|---|---|
| Part Number: RCWL0402R470JQE A   |   |   |   |                              |   |   |   |                 |   |  |   |   |  |   |   |
| R  | C | W | L | 0                            | 4 | 0 | 2 | R               | 4 | 7  | 0 | J | Q  | E | A |
| GLOBAL MODEL   |   |   |   | VALUE                        |   |   |   | TOLERANCE       |   | TCR  |   |   | PACKAGING  |   |   |
| RCWL0402<br>RCWL0603<br>RCWL0805<br>RCWL1206<br>RCWL1210<br>RCWL1218<br>RCWL2010<br>RCWL2512 |   |   |   | R = Decimal<br>R470 = 0.47 Ω |   |   |   | J = $\pm$ 5.0 % |   | N = $\pm$ 200 ppm/ $^{\circ}\text{C}$<br>M = $\pm$ 300 ppm/ $^{\circ}\text{C}$<br>Q = $\pm$ 400 ppm/ $^{\circ}\text{C}$<br>T = $\pm$ 600 ppm/ $^{\circ}\text{C}$ |   |   | EA = Lead (Pb)-free,<br>tape/reel<br><br>TA = Tin/lead,<br>tape/reel |   |   |

| TECHNICAL SPECIFICATIONS             |          |                      |          |          |          |          |          |          |          |
|--------------------------------------|----------|----------------------|----------|----------|----------|----------|----------|----------|----------|
| PARAMETER                            | UNIT     | RCWL0402             | RCWL0603 | RCWL0805 | RCWL1206 | RCWL1210 | RCWL1218 | RCWL2010 | RCWL2512 |
| Operating temp. range                | °C       | - 55 to + 155        |          |          |          |          |          |          |          |
| Maximum operating voltage            | V        | $(P \times R)^{1/2}$ |          |          |          |          |          |          |          |
| Insulation voltage $U_{ins}$ (1 min) | V        | > 75                 | > 100    | > 200    | > 300    | > 300    | > 300    | > 300    | > 300    |
| Insulation resistance                | $\Omega$ | > $10^9$             |          |          |          |          |          |          |          |
| Weight/1000 pieces (typical)         | g        | 0.65                 | 2        | 5.5      | 10       | 16       | 29.5     | 25.5     | 40.5     |



| MODEL    | DIMENSIONS in millimeters              |             |             |                                       |           |                  |     |     |                |     |     |
|----------|--|-------------|-------------|---------------------------------------|-----------|------------------|-----|-----|----------------|-----|-----|
|          | L                                      | W           | H           | T1                                    | T2        | REFLOW SOLDERING |     |     | WAVE SOLDERING |     |     |
|          |  |             |             |                                       |           | a                | b   | l   | a              | b   | l   |
| RCWL0402 | 1.0 ± 0.05                             | 0.5 ± 0.05  | 0.35 ± 0.05 | 0.25 ± 0.05                           | 0.2 ± 0.1 | 0.4              | 0.6 | 0.5 | 0.5            | 0.6 | 0.5 |
| RCWL0603 | 1.55 <sup>+0.10</sup> <sub>-0.05</sub> | 0.85 ± 0.1  | 0.45 ± 0.05 | 0.3 ± 0.2                             | 0.3 ± 0.2 | 0.5              | 0.9 | 1.0 | 0.9            | 0.9 | 1.0 |
| RCWL0805 | 2.0 <sup>+0.20</sup> <sub>-0.10</sub>  | 1.25 ± 0.15 | 0.45 ± 0.05 | 0.3 <sup>+0.20</sup> <sub>-0.10</sub> | 0.3 ± 0.2 | 0.7              | 1.3 | 1.2 | 0.9            | 1.3 | 1.3 |
| RCWL1206 | 3.2 <sup>+0.10</sup> <sub>-0.20</sub>  | 1.6 ± 0.15  | 0.55 ± 0.05 | 0.45 ± 0.2                            | 0.4 ± 0.2 | 0.9              | 1.7 | 2.0 | 1.1            | 1.7 | 2.3 |
| RCWL1210 | 3.2 ± 0.2                              | 2.5 ± 0.2   | 0.55 ± 0.05 | 0.45 ± 0.2                            | 0.4 ± 0.2 | 0.9              | 2.5 | 2.0 | 1.1            | 2.5 | 2.2 |
| RCWL1218 | 3.2 <sup>+0.10</sup> <sub>-0.20</sub>  | 4.6 ± 0.15  | 0.55 ± 0.05 | 0.45 ± 0.2                            | 0.4 ± 0.2 | 1.05             | 4.9 | 1.9 | 1.25           | 4.8 | 1.9 |
| RCWL2010 | 5.0 ± 0.15                             | 2.5 ± 0.15  | 0.6 ± 0.1   | 0.6 ± 0.2                             | 0.6 ± 0.2 | 1.0              | 2.5 | 3.9 | 1.2            | 2.5 | 3.9 |
| RCWL2512 | 6.3 ± 0.2                              | 3.15 ± 0.15 | 0.6 ± 0.1   | 0.6 ± 0.2                             | 0.6 ± 0.2 | 1.0              | 3.2 | 5.2 | 1.2            | 3.2 | 5.2 |

**TEMPERATURE RISE**

**DERATING**


| PERFORMANCE   |  |  |
|---------------|--|--|
| TEST          | CONDITIONS OF TEST   | TEST LIMITS                            |
| Thermal shock | MIL-STD-202, method 107, - 55 °C to + 125 °C, 300 cycles at each extreme | ± (2.0 % + 0.005 $\Omega$ ) $\Delta R$ |



| PERFORMANCE               |  |  |
|---------------------------|--|--|
| TEST                      | CONDITIONS OF TEST   | TEST LIMITS                            |
| Short time overload       | 2 x rated power; duration according the model  | $\pm (0.5 \% + 0.005 \Omega) \Delta R$ |
| High temperature exposure | MIL-STD-202, method 108, 1000 h at T = 125 °C, 0 % power                                       | $\pm (2.0 \% + 0.005 \Omega) \Delta R$ |
| Temperature cycling       | JESD 22, method JA-104, 1000 cycles (- 55 °C to + 125 °C)                                      | $\pm (2.0 \% + 0.005 \Omega) \Delta R$ |
| Biased humidity           | MIL-STD-202, method 103, 1000 h 85 °C/85 % RH, 10 % x (P x R) <sup>1/2</sup>                   | $\pm (2.0 \% + 0.005 \Omega) \Delta R$ |
| Mechanical shock          | MIL-STD-202, method 213, condition C, 10 g <sup>3</sup> s, 6 ms (half sine), 3 directions      | $\pm (0.5 \% + 0.005 \Omega) \Delta R$ |
| Vibration                 | MIL-STD-202, method 204, 5 g <sup>3</sup> s, 20 min, 12 cycles, 3 directions, 10 Hz to 2000 Hz | $\pm (0.5 \% + 0.005 \Omega) \Delta R$ |
| Operational life          | MIL-STD-202, method 108, 1000 h at T = 125 °C at rated power                                   | $\pm (2.0 \% + 0.005 \Omega) \Delta R$ |
| Resistance to solder heat | MIL-STD-202, method 210, + 260 °C solder, 10 s to 12 s dwell, 25 mm/s emergence                | $\pm (1.0 \% + 0.005 \Omega) \Delta R$ |
| Moisture resistance       | MIL-STD-202, method 106, 0 % power, 7a and 7b not required                                     | $\pm (2.0 \% + 0.005 \Omega) \Delta R$ |

| PACKAGING |                        |           |       |             |      |
|-----------|------------------------|-----------|-------|-------------|------|
| MODEL     | REEL                   |           |       |             |      |
|           | TAPE WIDTH             | DIAMETER  | PITCH | PIECES/REEL | CODE |
| RCWL0402  | 8 mm/punched paper     | 180 mm/7" | 2 mm  | 10 000      | EA   |
| RCWL0603  | 8 mm/punched paper     | 180 mm/7" | 4 mm  | 5000        | EA   |
| RCWL0805  | 8 mm/punched paper     | 180 mm/7" | 4 mm  | 5000        | EA   |
| RCWL1206  | 8 mm/punched paper     | 180 mm/7" | 4 mm  | 5000        | EA   |
| RCWL1210  | 12 mm/punched paper    | 180 mm/7" | 4 mm  | 5000        | EA   |
| RCWL1218  | 12 mm/embossed plastic | 180 mm/7" | 4 mm  | 4000        | EA   |
| RCWL2010  | 12 mm/embossed plastic | 180 mm/7" | 4 mm  | 4000        | EA   |
| RCWL2512  | 12 mm/embossed plastic | 180 mm/7" | 8 mm  | 2000        | EA   |

**Note**

- Embossed carrier tape per EIA-481-1A.



## Disclaimer

ALL PRODUCT, PRODUCT SPECIFICATIONS AND DATA ARE SUBJECT TO CHANGE WITHOUT NOTICE TO IMPROVE RELIABILITY, FUNCTION OR DESIGN OR OTHERWISE.

Vishay Intertechnology, Inc., its affiliates, agents, and employees, and all persons acting on its or their behalf (collectively, "Vishay"), disclaim any and all liability for any errors, inaccuracies or incompleteness contained in any datasheet or in any other disclosure relating to any product.

Vishay makes no warranty, representation or guarantee regarding the suitability of the products for any particular purpose or the continuing production of any product. To the maximum extent permitted by applicable law, Vishay disclaims (i) any and all liability arising out of the application or use of any product, (ii) any and all liability, including without limitation special, consequential or incidental damages, and (iii) any and all implied warranties, including warranties of fitness for particular purpose, non-infringement and merchantability.

Statements regarding the suitability of products for certain types of applications are based on Vishay's knowledge of typical requirements that are often placed on Vishay products in generic applications. Such statements are not binding statements about the suitability of products for a particular application. It is the customer's responsibility to validate that a particular product with the properties described in the product specification is suitable for use in a particular application. Parameters provided in datasheets and/or specifications may vary in different applications and performance may vary over time. All operating parameters, including typical parameters, must be validated for each customer application by the customer's technical experts. Product specifications do not expand or otherwise modify Vishay's terms and conditions of purchase, including but not limited to the warranty expressed therein.

Except as expressly indicated in writing, Vishay products are not designed for use in medical, life-saving, or life-sustaining applications or for any other application in which the failure of the Vishay product could result in personal injury or death. Customers using or selling Vishay products not expressly indicated for use in such applications do so at their own risk. Please contact authorized Vishay personnel to obtain written terms and conditions regarding products designed for such applications.

No license, express or implied, by estoppel or otherwise, to any intellectual property rights is granted by this document or by any conduct of Vishay. Product names and markings noted herein may be trademarks of their respective owners.

## Material Category Policy

**Vishay Intertechnology, Inc. hereby certifies that all its products that are identified as RoHS-Compliant fulfill the definitions and restrictions defined under Directive 2011/65/EU of The European Parliament and of the Council of June 8, 2011 on the restriction of the use of certain hazardous substances in electrical and electronic equipment (EEE) - recast, unless otherwise specified as non-compliant.**

**Please note that some Vishay documentation may still make reference to RoHS Directive 2002/95/EC. We confirm that all the products identified as being compliant to Directive 2002/95/EC conform to Directive 2011/65/EU.**

**Vishay Intertechnology, Inc. hereby certifies that all its products that are identified as Halogen-Free follow Halogen-Free requirements as per JEDEC JS709A standards. Please note that some Vishay documentation may still make reference to the IEC 61249-2-21 definition. We confirm that all the products identified as being compliant to IEC 61249-2-21 conform to JEDEC JS709A standards.**



## Стандарт Электрон Связь

Мы молодая и активно развивающаяся компания в области поставок электронных компонентов. Мы поставляем электронные компоненты отечественного и импортного производства напрямую от производителей и с крупнейших складов мира.

Благодаря сотрудничеству с мировыми поставщиками мы осуществляем комплексные и плановые поставки широчайшего спектра электронных компонентов.

Собственная эффективная логистика и склад в обеспечивает надежную поставку продукции в точно указанные сроки по всей России.

Мы осуществляем техническую поддержку нашим клиентам и предпродажную проверку качества продукции. На все поставляемые продукты мы предоставляем гарантию .

Осуществляем поставки продукции под контролем ВП МО РФ на предприятия военно-промышленного комплекса России , а также работаем в рамках 275 ФЗ с открытием отдельных счетов в уполномоченном банке. Система менеджмента качества компании соответствует требованиям ГОСТ ISO 9001.

Минимальные сроки поставки, гибкие цены, неограниченный ассортимент и индивидуальный подход к клиентам являются основой для выстраивания долгосрочного и эффективного сотрудничества с предприятиями радиоэлектронной промышленности, предприятиями ВПК и научно-исследовательскими институтами России.

С нами вы становитесь еще успешнее!

### Наши контакты:

**Телефон:** +7 812 627 14 35

**Электронная почта:** [sales@st-electron.ru](mailto:sales@st-electron.ru)

**Адрес:** 198099, Санкт-Петербург,  
Промышленная ул, дом № 19, литера Н,  
помещение 100-Н Офис 331