

Rectifier Switch for Reverse Battery Connection Evaluation Board

No. EEV-320-181225

R5590N001A-EV is the evaluation board for R5590 which has the below features, benefits and specifications.

OUTLINE

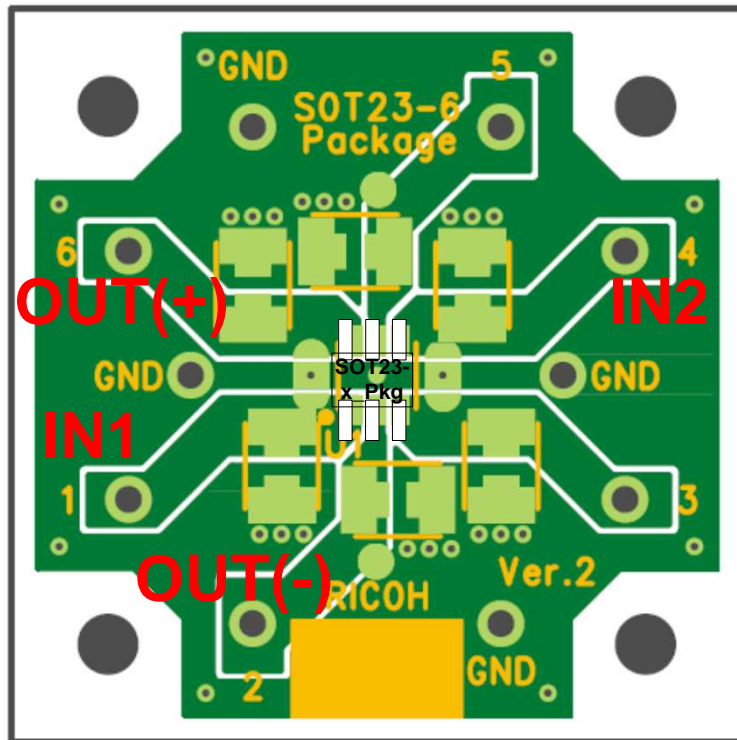
The R5590N is a rectifier switch, which allows the reverse connection of battery. This device can output the voltage rectified in either positive or negative polarity regardless of the polarity of the input voltage. Therefore, this device allows the various applications without being limited by the battery loading directions or the connector insertion directions. This device also protect the device system from the accidental reverse connection of battery. A small loss resistance of typically 0.5 Ω and a small supply current of typically 50 nA at 1.5 V input voltage make this device ideal for the applications using a battery. For the applications using multiple batteries in series or in parallel, the output pin should also be connected in series or in parallel to rectify the power source and protect the device system.

KEY SPECIFICATIONS

- Input Voltage Range (Maximum Rating) 0.9 V to 5.25 V (6.0 V)
- Supply Current Typ. 50 nA (Input Voltage 1.5 V)
- Loss Resistance Typ. 0.5 Ω (Input Voltage 1.5 V)
- Package SOT-23-5
- For more details on R5590 IC, please refer to
<https://www.e-devices.ricoh.co.jp/en/products/power/sw/r5590/r5590-ea.pdf>.

PCB LAYOUT

R5590N (Package: SOT-23-5) PCB Layout



ABSOLUTE MAXIMUM RATINGS

Absolute Maximum Ratings

Symbol	Parameter			Rating	Unit
ΔV_{IN}	Input Pin Voltage Difference ($ IN1 - IN2 $)			6.0	V
ΔV_{OUT}	Output Pin Voltage (OUT(+)-OUT(-))			0 to ΔV_{IN}	V
I_{OUT}	Output Current			400	mA
P_D	Power Dissipation ⁽¹⁾	SOT-23-5	JEDEC STD.51-7	660	mW
T_j	Junction Temperature Range			-40 to 125	°C
T_{stg}	Storage Temperature Range			-55 to 125	°C

ABSOLUTE MAXIMUM RATINGS

Electronic and mechanical stress momentarily exceeded absolute maximum ratings may cause the permanent damages and may degrade the life time and safety for both device and system using the device in the field. The functional operation at or over these absolute maximum ratings is not assured.

RECOMMENDED OPERATING CONDITIONS

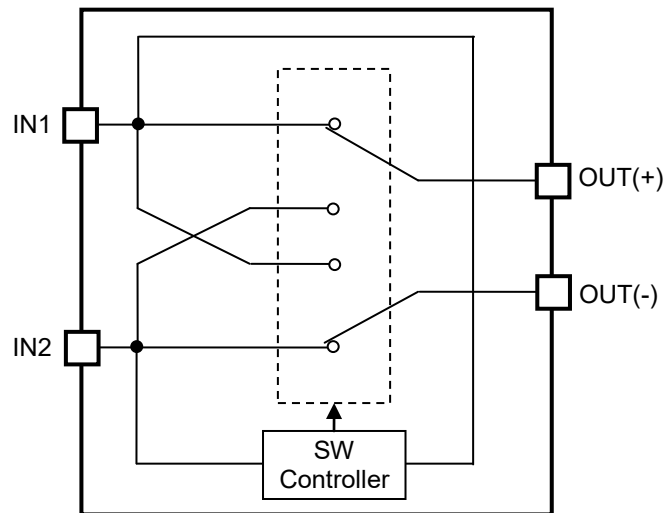
Recommended Operating Conditions

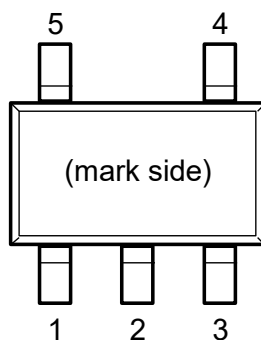
Symbol	Parameter	Rating	Unit
V_{IN}	Input Voltage	0.9 ~ 5.25	V
T_a	Operating Temperature Range	-40 ~ 85	°C

RECOMMENDED OPERATING CONDITONS

All of electronic equipment should be designed that the mounted semiconductor devices operate within the recommended operating conditions. The semiconductor devices cannot operate normally over the recommended operating conditions, even if when they are used over such conditions by momentary electronic noise or surge. And the semiconductor devices may receive serious damage when they continue to operate over the recommended operating conditions.

⁽¹⁾ Refer to *POWER DISSIPATION* for detailed information.

TYPICAL APPLICATION**R5590x001A Block Diagram**

PIN DESCRIPTION**SOT-23-5 Pin Configuration****SOT-23-5 Pin Description**

Pin No.	Symbol	Description
1	IN1	Input Pin 1
2	OUT (-)	Negative Output Pin
3	NC	No Connection
4	IN2	Input Pin 2
5	OUT (+)	Positive Output Pin

TECHNICAL NOTES

If the input voltage difference becomes less than output voltage difference, which could happen when the AC power source is rectified or the DC power source having different voltage is used in parallel, the current flows from the output side to the input side. To prevent this, use a reverse current prevention diode.

The short circuit current flows when the output pin is shorted while bias voltage is applied to the input pin. The R5590N should be operated within the absolute maximum ratings.



1. The products and the product specifications described in this document are subject to change or discontinuation of production without notice for reasons such as improvement. Therefore, before deciding to use the products, please refer to Ricoh sales representatives for the latest information thereon.
2. The materials in this document may not be copied or otherwise reproduced in whole or in part without prior written consent of Ricoh.
3. Please be sure to take any necessary formalities under relevant laws or regulations before exporting or otherwise taking out of your country the products or the technical information described herein.
4. The technical information described in this document shows typical characteristics of and example application circuits for the products. The release of such information is not to be construed as a warranty of or a grant of license under Ricoh's or any third party's intellectual property rights or any other rights.
5. The products listed in this document are intended and designed for use as general electronic components in standard applications (office equipment, telecommunication equipment, measuring instruments, consumer electronic products, amusement equipment etc.). Those customers intending to use a product in an application requiring extreme quality and reliability, for example, in a highly specific application where the failure or misoperation of the product could result in human injury or death (aircraft, spacevehicle, nuclear reactor control system, traffic control system, automotive and transportation equipment, combustion equipment, safety devices, life support system etc.) should first contact us.
6. We are making our continuous effort to improve the quality and reliability of our products, but semiconductor products are likely to fail with certain probability. In order to prevent any injury to persons or damages to property resulting from such failure, customers should be careful enough to incorporate safety measures in their design, such as redundancy feature, fire containment feature and fail-safe feature. We do not assume any liability or responsibility for any loss or damage arising from misuse or inappropriate use of the products.
7. Anti-radiation design is not implemented in the products described in this document.
8. The X-ray exposure can influence functions and characteristics of the products. Confirm the product functions and characteristics in the evaluation stage.
9. WLCSP products should be used in light shielded environments. The light exposure can influence functions and characteristics of the products under operation or storage.
10. There can be variation in the marking when different AOI (Automated Optical Inspection) equipment is used. In the case of recognizing the marking characteristic with AOI, please contact Ricoh sales or our distributor before attempting to use AOI.
11. Please contact Ricoh sales representatives should you have any questions or comments concerning the products or the technical information.



Ricoh is committed to reducing the environmental loading materials in electrical devices with a view to contributing to the protection of human health and the environment.

Ricoh has been providing RoHS compliant products since April 1, 2006 and Halogen-free products since April 1, 2012.

RICOH RICOH ELECTRONIC DEVICES CO., LTD.

<https://www.e-devices.ricoh.co.jp/en/>

Sales & Support Offices

Ricoh Electronic Devices Co., Ltd.

Shin-Yokohama Office (International Sales)

2-3, Shin-Yokohama 3-chome, Kohoku-ku, Yokohama-shi, Kanagawa, 222-8530, Japan
Phone: +81-50-3814-7687 Fax: +81-45-474-0074

Ricoh Americas Holdings, Inc.

675 Campbell Technology Parkway, Suite 200 Campbell, CA 95008, U.S.A.
Phone: +1-408-610-3105

Ricoh Europe (Netherlands) B.V.

Semiconductor Support Centre

Prof. W.H. Keesomlaan 1, 1183 DJ Amstelveen, The Netherlands
Phone: +31-20-5474-309

Ricoh International B.V. - German Branch

Semiconductor Sales and Support Centre

Oberrather Strasse 6, 40472 Düsseldorf, Germany
Phone: +49-211-6546-0

Ricoh Electronic Devices Korea Co., Ltd.

3F, Haesung Bldg, 504, Teheran-ro, Gangnam-gu, Seoul, 135-725, Korea
Phone: +82-2-2135-5700 Fax: +82-2-2051-5713

Ricoh Electronic Devices Shanghai Co., Ltd.

Room 403, No.2 Building, No.690 Bibo Road, Pu Dong New District, Shanghai 201203,
People's Republic of China
Phone: +86-21-5027-3200 Fax: +86-21-5027-3299

Ricoh Electronic Devices Shanghai Co., Ltd.

Shenzhen Branch

1205, Block D (Jinlong Building), Kingkey 100, Hongbao Road, Luohu District,
Shenzhen, China
Phone: +86-755-8348-7600 Ext 225

Ricoh Electronic Devices Co., Ltd.

Taipei office

Room 109, 10F-1, No.51, Hengyang Rd., Taipei City, Taiwan
Phone: +886-2-2313-1621/1622 Fax: +886-2-2313-1623

Mouser Electronics

Authorized Distributor

Click to View Pricing, Inventory, Delivery & Lifecycle Information:

[Ricoh Electronics:](#)

[R5590N001A-EV](#)



Стандарт Электрон Связь

Мы молодая и активно развивающаяся компания в области поставок электронных компонентов. Мы поставляем электронные компоненты отечественного и импортного производства напрямую от производителей и с крупнейших складов мира.

Благодаря сотрудничеству с мировыми поставщиками мы осуществляем комплексные и плановые поставки широчайшего спектра электронных компонентов.

Собственная эффективная логистика и склад в обеспечивает надежную поставку продукции в точно указанные сроки по всей России.

Мы осуществляем техническую поддержку нашим клиентам и предпродажную проверку качества продукции. На все поставляемые продукты мы предоставляем гарантию .

Осуществляем поставки продукции под контролем ВП МО РФ на предприятия военно-промышленного комплекса России , а также работаем в рамках 275 ФЗ с открытием отдельных счетов в уполномоченном банке. Система менеджмента качества компании соответствует требованиям ГОСТ ISO 9001.

Минимальные сроки поставки, гибкие цены, неограниченный ассортимент и индивидуальный подход к клиентам являются основой для выстраивания долгосрочного и эффективного сотрудничества с предприятиями радиоэлектронной промышленности, предприятиями ВПК и научно-исследовательскими институтами России.

С нами вы становитесь еще успешнее!

Наши контакты:

Телефон: +7 812 627 14 35

Электронная почта: sales@st-electron.ru

Адрес: 198099, Санкт-Петербург,
Промышленная ул, дом № 19, литера Н,
помещение 100-Н Офис 331