

8-INPUT MULTIPLEXER/REGISTER; 3-STATE

FEATURES

- Non-transparent data latches
- Transparent address latch
- Easily expanding
- Complementary outputs
- Output capability: bus driver
- I_{CC} category: MSI

GENERAL DESCRIPTION

The 74HC/HCT356 are high-speed Si-gate CMOS devices and are pin compatible with low power Schottky TTL (LSSTTL). They are specified in compliance with JEDEC standard no. 7A.

The 74HC/HCT356 data selectors/multiplexers contain full on-chip binary decoding, to select one-of-eight data sources. The data select address is stored in transparent latches that are enabled by a LOW on the latch enable input \overline{LE} .

Data on the 8 input lines (D_0 to D_7) is clocked into an edge-triggered data register by a LOW-to-HIGH transition of the clock (CP).

When the output enable input $\overline{OE}_1 = \text{HIGH}$, $\overline{OE}_2 = \text{HIGH}$ or $\overline{OE}_3 = \text{LOW}$, the outputs go to the high impedance OFF-state.

Operation of these output enable inputs does not affect the state of the latches and register.

SYMBOL	PARAMETER	CONDITIONS	TYPICAL		UNIT
			HC	HCT	
t_{PHL} / t_{PLH}	propagation delay S_n , \overline{LE} to Y , \overline{Y} CP to Y , \overline{Y}	$C_L = 15 \text{ pF}$ $V_{CC} = 5 \text{ V}$	24 20	25 22	ns ns
C_I	input capacitance		3.5	3.5	pF
C_{PD}	power dissipation capacitance per package	notes 1 and 2	123	125	pF

GND = 0 V; $T_{\text{amb}} = 25^\circ\text{C}$; $t_r = t_f = 6 \text{ ns}$

Notes

1. C_{PD} is used to determine the dynamic power dissipation (P_D in μW):

$$P_D = C_{\text{PD}} \times V_{CC}^2 \times f_i + \Sigma (C_L \times V_{CC}^2 \times f_o) \text{ where:}$$

f_i = input frequency in MHz
 f_o = output frequency in MHz
 $\Sigma (C_L \times V_{CC}^2 \times f_o)$ = sum of outputs

C_L = output load capacitance in pF
 V_{CC} = supply voltage in V

2. For HC the condition is $V_I = \text{GND to } V_{CC}$
 For HCT the condition is $V_I = \text{GND to } V_{CC} - 1.5 \text{ V}$

PACKAGE OUTLINES

20-lead DIL; plastic (SOT146).

20-lead mini-pack; plastic (SO20; SOT163A).

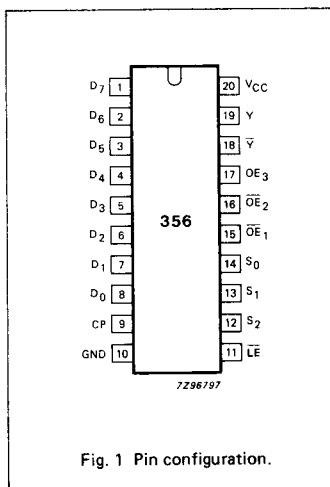


Fig. 1 Pin configuration.

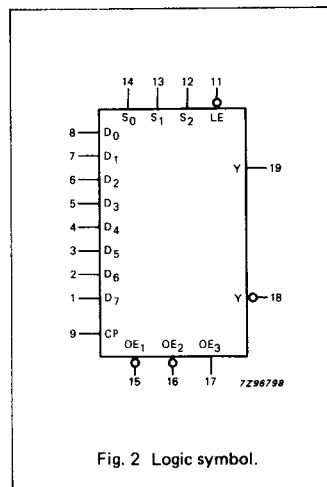


Fig. 2 Logic symbol.

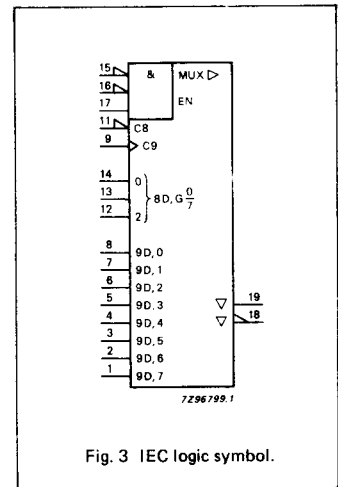


Fig. 3 IEC logic symbol.

PIN DESCRIPTION

PIN NO.	SYMBOL	NAME AND FUNCTION
8, 7, 6, 5, 4, 3, 2, 1	D ₀ to D ₇	data inputs
9	CP	clock input data (LOW-to-HIGH, edge-triggered)
10	GND	ground (0 V)
11	\overline{LE}	address latch enable input (active LOW)
14, 13, 12	S ₀ , S ₁ , S ₂	select inputs
15, 16	\overline{OE}_1 , \overline{OE}_2	output enable inputs (active LOW)
17	OE ₃	output enable input (active HIGH)
18	\overline{Y}	3-state multiplexer output (active LOW)
19	Y	3-state multiplexer output (active HIGH)
20	V _{CC}	positive supply voltage

FUNCTION TABLE

INPUTS				OUTPUTS					DESCRIPTION
ADDRESS *			CP	OUTPUT ENABLE			Y	\overline{Y}	
S ₂	S ₁	S ₀		\overline{OE}_1	\overline{OE}_2	OE ₃			
X	X	X	X	H	X	X	Z	Z	outputs in high impedance OFF-state
X	X	X	X	X	H	X	Z	Z	
X	X	X	X	X	X	L	Z	Z	
L	L	L	↑	L	L	H	D _{0n}	\overline{D}_{0n}	data is clocked into latch
L	L	L	↑	L	L	H	D _{1n}	\overline{D}_{1n}	
L	H	L	↑	L	L	H	D _{2n}	\overline{D}_{2n}	
L	H	H	↑	L	L	H	D _{3n}	\overline{D}_{3n}	
H	L	L	↑	L	L	H	D _{4n}	\overline{D}_{4n}	
H	L	H	↑	L	L	H	D _{5n}	\overline{D}_{5n}	
H	H	L	↑	L	L	H	D _{6n}	\overline{D}_{6n}	
H	H	H	↑	L	L	H	D _{7n}	\overline{D}_{7n}	
L	L	L	**	L	L	H	D _{0p}	\overline{D}_{0p}	outputs do not change states
L	L	H	**	L	L	H	D _{1p}	\overline{D}_{1p}	
L	H	L	**	L	L	H	D _{2p}	\overline{D}_{2p}	
L	H	H	**	L	L	H	D _{3p}	\overline{D}_{3p}	
H	L	L	**	L	L	H	D _{4p}	\overline{D}_{4p}	
H	L	H	**	L	L	H	D _{5p}	\overline{D}_{5p}	
H	H	L	**	L	L	H	D _{6p}	\overline{D}_{6p}	
H	H	H	**	L	L	H	D _{7p}	\overline{D}_{7p}	

D_{0n} to D_{7n} = data present at inputs D₀ to D₇ when the data latch clock made the transition from LOW-to-HIGH

D_{0p} to D_{7p} = data previously latched into the data latch by the LOW-to-HIGH transition of the data latch clock

H = HIGH voltage level

L = LOW voltage level

X = don't care

↑ = LOW-to-HIGH CP transition

↓ = HIGH-to-LOW CP transition

Z = high impedance OFF-state

* This column shows the input address set-up with \overline{LE} = LOW (address latch is transparent).

** CP is HIGH, LOW or ↓.

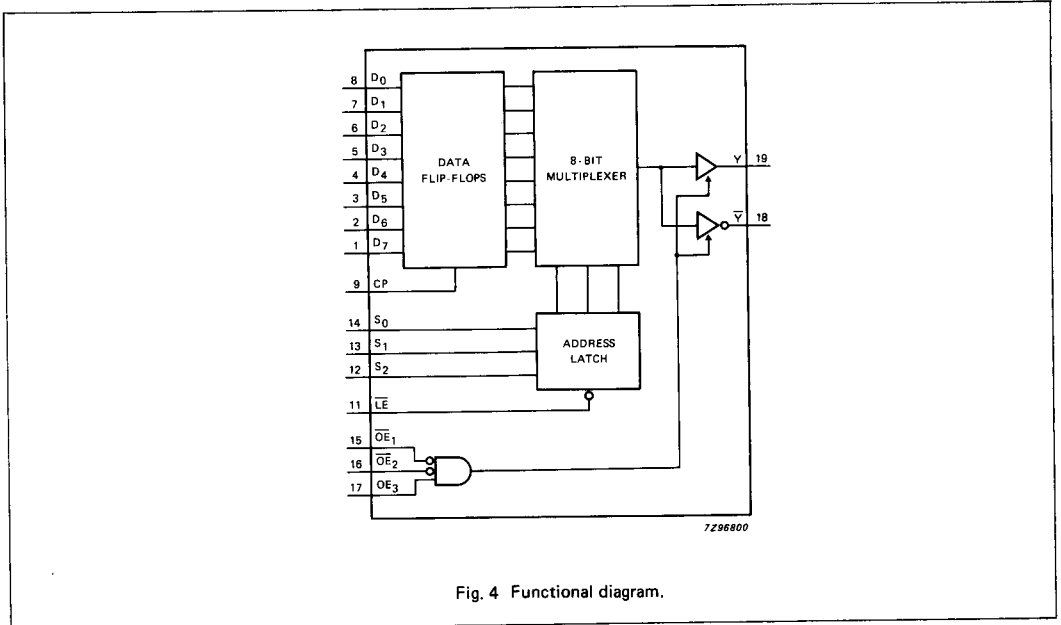


Fig. 4 Functional diagram.

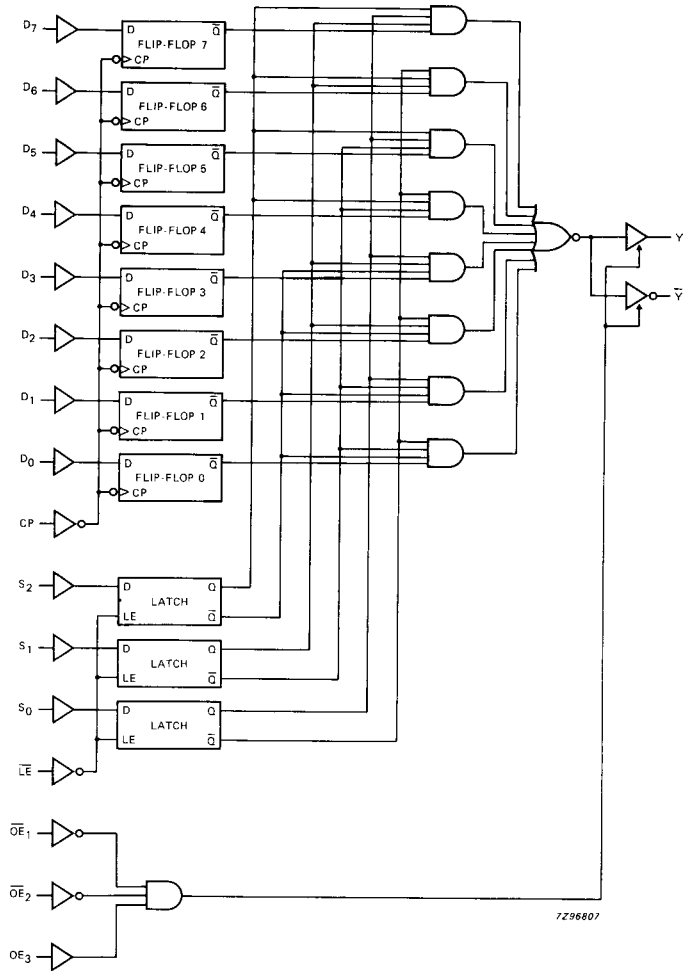


Fig. 5 Logic diagram.

DC CHARACTERISTICS FOR 74HC

For the DC characteristics see chapter "HCMOS family characteristics", section "Family specifications".

Output capability: bus driver

I_{CC} category: MSI**AC CHARACTERISTICS FOR 74HC**GND = 0 V; t_r = t_f = 6 ns; C_L = 50 pF

SYMBOL	PARAMETER	T _{amb} (°C)						UNIT	TEST CONDITIONS		
		74HC							V _{CC} V	WAVEFORMS	
		+25			-40 to +85		-40 to +125				
		min.	typ.	max.	min.	max.	min.				max.
t _{PHL} / t _{PLH}	propagation delay CP to Y, \bar{Y}		66 24 19	240 48 41		300 60 51		360 72 61	ns	2.0 4.5 6.0	Fig. 6
t _{PHL} / t _{PLH}	propagation delay S _n to Y, \bar{Y}		77 28 22	260 52 44		325 65 55		390 78 66	ns	2.0 4.5 6.0	Fig. 7
t _{PHL} / t _{PLH}	propagation delay LE to Y, \bar{Y}		77 28 22	270 54 46		340 68 58		405 81 69	ns	2.0 4.5 6.0	Fig. 8
t _{PZH} / t _{PZL}	3-state output enable time $\bar{O}E_n$ to Y, \bar{Y}		41 15 12	125 25 21		155 31 26		190 38 32	ns	2.0 4.5 6.0	Fig. 11
t _{PZH} / t _{PZL}	3-state output enable time OE ₃ to Y, \bar{Y}		47 17 14	150 30 26		190 38 33		225 45 38	ns	2.0 4.5 6.0	Fig. 11
t _{PHZ} / t _{PLZ}	3-state output disable time $\bar{O}E_n$ to Y, \bar{Y}		50 18 14	155 31 26		195 39 33		235 47 40	ns	2.0 4.5 6.0	Fig. 11
t _{PHZ} / t _{PLZ}	3-state output disable time OE ₃ to Y, \bar{Y}		58 21 17	155 31 26		195 39 33		235 47 40	ns	2.0 4.5 6.0	Fig. 11
t _{THL} / t _{TLH}	output transition time		14 5 4	60 12 10		75 15 13		90 18 15	ns	2.0 4.5 6.0	Figs 6, 7 and 8
t _W	clock pulse width CP HIGH or LOW	80 16 14	17 6 5		100 20 17		120 24 20		ns	2.0 4.5 6.0	Fig. 6
t _W	latch enable pulse width LE LOW	80 16 14	17 6 5		100 20 17		120 24 20		ns	2.0 4.5 6.0	Fig. 8
t _{su}	set-up time D _n to CP	50 10 9	11 4 3		65 13 11		75 15 13		ns	2.0 4.5 6.0	Fig. 10
t _{su}	set-up time S _n to LE	50 10 9	14 5 4		65 13 11		75 15 13		ns	2.0 4.5 6.0	Fig. 9
t _h	hold time D _n to CP	5 5 5	-6 -2 -2		5 5 5		5 5 5		ns	2.0 4.5 6.0	Fig. 10
t _h	hold time S _n to LE	5 5 5	-8 -3 -2		5 5 5		5 5 5		ns	2.0 4.5 6.0	Fig. 9

DC CHARACTERISTICS FOR 74HCT

For the DC characteristics see chapter "HCMOS family characteristics", section "Family specifications".

Output capability: bus driver

I_{CC} category: MSI

Note to HCT types

The value of additional quiescent supply current (ΔI_{CC}) for a unit load of 1 is given in the family specifications. To determine ΔI_{CC} per input, multiply this value by the unit load coefficient shown in the table below.

INPUT	UNIT LOAD COEFFICIENT
D _n , S _n	0.2
OE ₃	0.25
LE	0.5
OE _n , CP	1.0

AC CHARACTERISTICS FOR 74HCT

GND = 0 V; t_r = t_f = 6 ns; C_L = 50 pF

SYMBOL	PARAMETER	T _{amb} (°C)						UNIT	TEST CONDITIONS		
		74HCT							V _{CC} V	WAVEFORMS	
		+25			-40 to +85		-40 to +125				
		min.	typ.	max.	min.	max.	min.				max.
t _{PHL} / t _{PLH}	propagation delay CP to Y, \bar{Y}		26	51		64		77	ns	4.5	Fig. 6
t _{PHL} / t _{PLH}	propagation delay S _n to Y, \bar{Y}		28	59		74		89	ns	4.5	Fig. 7
t _{PHL} / t _{PLH}	propagation delay LE to Y, \bar{Y}		29	63		79		95	ns	4.5	Fig. 8
t _{PZH} / t _{PZL}	3-state output enable time OE _n to Y, \bar{Y}		17	34		43		51	ns	4.5	Fig. 11
t _{PZH} / t _{PZL}	3-state output enable time OE ₃ to Y, \bar{Y}		18	34		43		51	ns	4.5	Fig. 11
t _{PHZ} / t _{PLZ}	3-state output disable time OE _n to Y, \bar{Y}		17	33		41		50	ns	4.5	Fig. 11
t _{PHZ} / t _{PLZ}	3-state output disable time OE ₃ to Y, \bar{Y}		20	33		41		50	ns	4.5	Fig. 11
t _{THL} / t _{TLH}	output transition time		5	12		15		18	ns	4.5	Figs 6, 7 and 8
t _W	clock pulse width CP HIGH or LOW	16	8		20		24		ns	4.5	Fig. 6
t _W	latch enable pulse width LE LOW	16	6		20		24		ns	4.5	Fig. 8
t _{su}	set-up time D _n to CP	10	4		13		15		ns	4.5	Fig. 10
t _{su}	set-up time S _n to LE	10	5		13		15		ns	4.5	Fig. 9
t _h	hold time D _n to CP	5	0		5		5		ns	4.5	Fig. 10
t _h	hold time S _n to LE	5	-2		5		5		ns	4.5	Fig. 9

AC WAVEFORMS

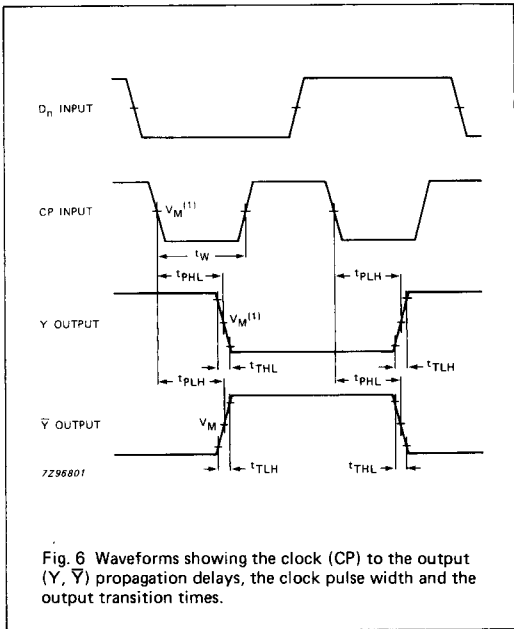


Fig. 6 Waveforms showing the clock (CP) to the output (Y, \bar{Y}) propagation delays, the clock pulse width and the output transition times.

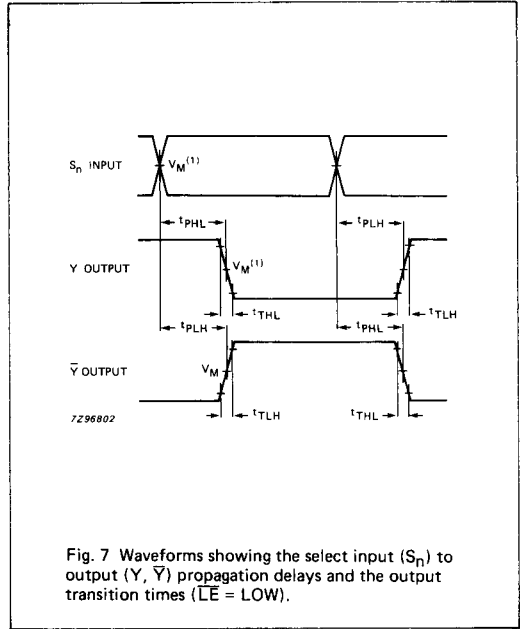


Fig. 7 Waveforms showing the select input (S_n) to output (Y, \bar{Y}) propagation delays and the output transition times ($\overline{LE} = \text{LOW}$).

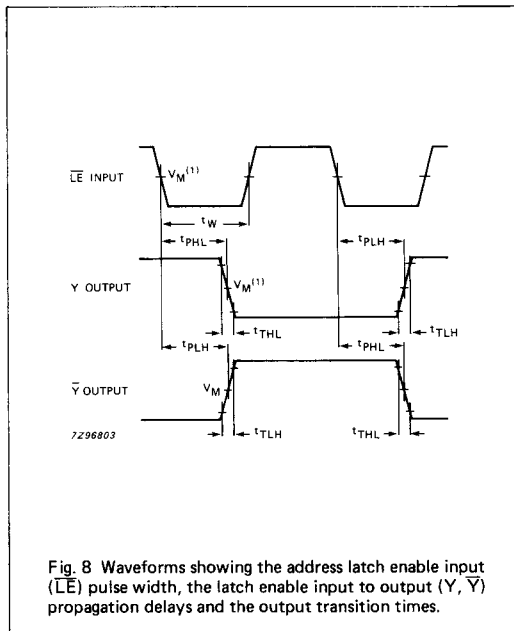


Fig. 8 Waveforms showing the address latch enable input (\overline{LE}) pulse width, the latch enable input to output (Y, \bar{Y}) propagation delays and the output transition times.

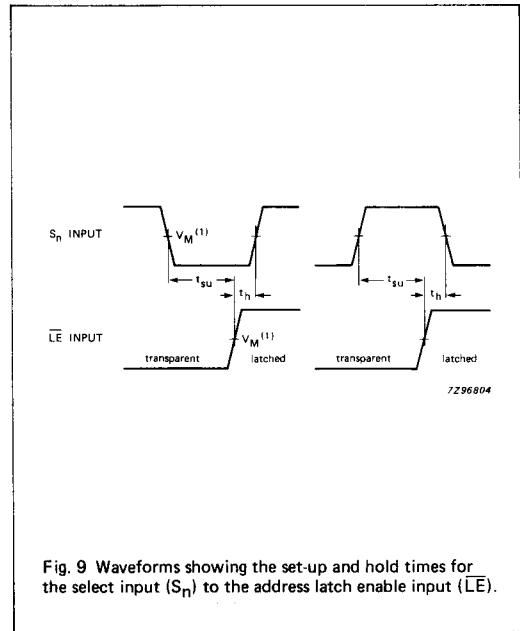


Fig. 9 Waveforms showing the set-up and hold times for the select input (S_n) to the address latch enable input (\overline{LE}).

AC WAVEFORMS

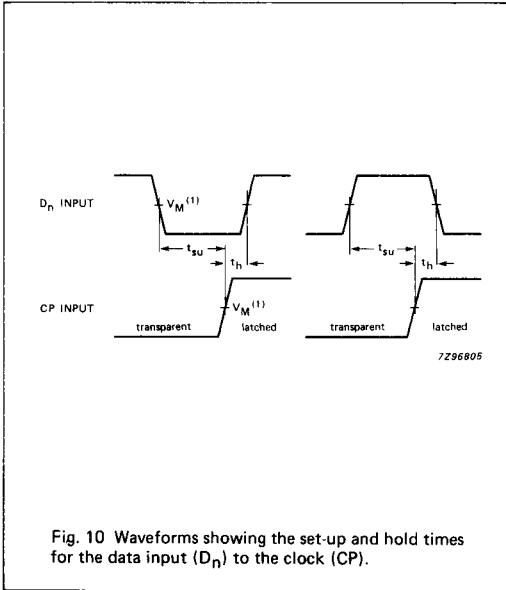


Fig. 10 Waveforms showing the set-up and hold times for the data input (D_n) to the clock (CP).

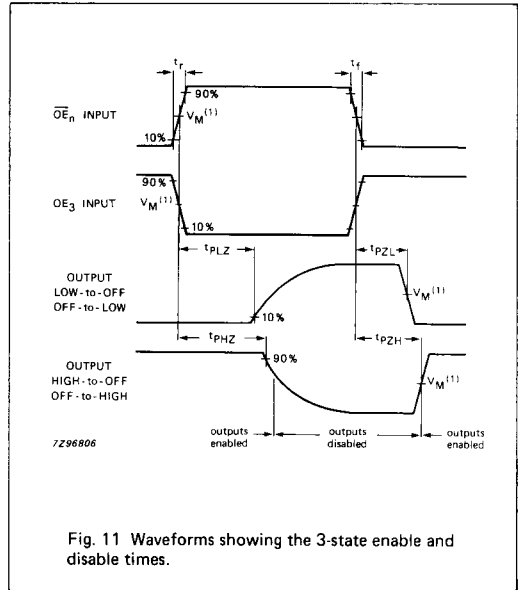


Fig. 11 Waveforms showing the 3-state enable and disable times.

Note to AC waveforms

- (1) HC : $V_M = 50\%$; $V_I = \text{GND to } V_{CC}$.
- HCT: $V_M = 1.3 \text{ V}$; $V_I = \text{GND to } 3 \text{ V}$.



Стандарт Электрон Связь

Мы молодая и активно развивающаяся компания в области поставок электронных компонентов. Мы поставляем электронные компоненты отечественного и импортного производства напрямую от производителей и с крупнейших складов мира.

Благодаря сотрудничеству с мировыми поставщиками мы осуществляем комплексные и плановые поставки широчайшего спектра электронных компонентов.

Собственная эффективная логистика и склад в обеспечивает надежную поставку продукции в точно указанные сроки по всей России.

Мы осуществляем техническую поддержку нашим клиентам и предпродажную проверку качества продукции. На все поставляемые продукты мы предоставляем гарантию .

Осуществляем поставки продукции под контролем ВП МО РФ на предприятия военно-промышленного комплекса России , а также работаем в рамках 275 ФЗ с открытием отдельных счетов в уполномоченном банке. Система менеджмента качества компании соответствует требованиям ГОСТ ISO 9001.

Минимальные сроки поставки, гибкие цены, неограниченный ассортимент и индивидуальный подход к клиентам являются основой для выстраивания долгосрочного и эффективного сотрудничества с предприятиями радиоэлектронной промышленности, предприятиями ВПК и научно-исследовательскими институтами России.

С нами вы становитесь еще успешнее!

Наши контакты:

Телефон: +7 812 627 14 35

Электронная почта: sales@st-electron.ru

Адрес: 198099, Санкт-Петербург,
Промышленная ул, дом № 19, литера Н,
помещение 100-Н Офис 331