

VSC3312-01

8.5 Gbps 12x12 Crosspoint Switch

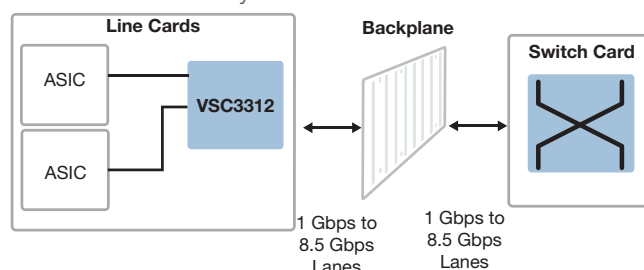
The VSC3312-01 is a 12-port 8.5 Gbps asynchronous switch with advanced signal equalization designed for high-speed serial backplanes and cable interconnect applications. VSC3312-01 switches allow multicast, loopback, and reconfigurable Input/Output (I/O) capability for great flexibility in allocating and routing signals in a broad range of applications. The VSC3312-01 includes dual time-constant equalization, which significantly reduces jitter associated with driving multigigabit signals across backplanes and cables. A fully asynchronous architecture allows any data rate or protocol on any channel without the need for an external reference clock. This gives the VSC3312-01 wire-like interoperability in virtually any application that uses binary signaling. The VSC3312-01 can also be used as a buffer that simplifies and enhances the design of high-speed signal paths by providing signal equalization at both inputs and outputs to reduce or reverse signal degradation due to transmission line effects.

The VSC3312-01 has a total of 24 ports. Eight are dedicated inputs, eight are dedicated outputs, and the remaining eight may be configured as either inputs or outputs without restriction. This design provides the flexibility of using the device as a standard 12x12 crosspoint, or any ratio from 8x16 to 16x8. This unique feature allows full I/O utilization in any application that has less than a 2:1 ratio between inputs and outputs. In many cases, this translates to a significant reduction in chip count. Featuring programmable input signal equalization and output pre-emphasis, each with multiple time constants, the VSC3312-01 is also ideal for countering signal degradation over a wide variety of transmission media types and lengths.

Typical power consumption for the device is 160 mW per active channel, and unused channels may be deactivated to save the power associated with those ports. The output drivers for the VSC3312-01 also feature a wide supply voltage range (from 1.8 V to 3.3 V) that allows flexibility in matching the output swing to application requirements.

The VSC3312-01 has a LOS detector with programmable thresholds on every input port. The LOS status can be made to appear at either of two status pins for external use. The LOS signal can also be switched to each of the outputs in concert with the high-speed switching core. LOS forwarding can be enabled for each of the outputs, which will cause the outputs to be squelched in response to a LOS detect at the corresponding input, thereby propagating signal envelopes through the switch.

Programming of the VSC3312-01 is through a standard two-wire serial interface. The interface address can be hardwired through static pins or through a proprietary two-pin interface that allows for address selection after power-up. All pin functions such as Config, ResetB, and Status pin states are also accessible through registers to ensure maximum flexibility.



Applications

- Wideband signal switching and clean-up
- Line driver or receiver
- Backplane signal fanout, driver, or receiver
- Copper cable driver or receiver
- PCB signal enhancement

Specifications

- 8.5 Gbps non-return-to-zero (NRZ) per-channel data rate
- 2.5 V core, 1.8 V, 2.5 V, and 3.3 V high-speed I/O
- 3.2 W maximum at 3.3 V, or 2.4 W at 2.5 V, or 2 W at 1.8 V

Microsemi makes no warranty, representation, or guarantee regarding the information contained herein or the suitability of its products and services for any particular purpose, nor does Microsemi assume any liability whatsoever arising out of the application or use of any product or circuit. The products sold hereunder and any other products sold by Microsemi have been subject to limited testing and should not be used in conjunction with mission-critical equipment or applications. Any performance specifications are believed to be reliable but are not verified, and Buyer must conduct and complete all performance and other testing of the products, alone and together with, or installed in, any end-products. Buyer shall not rely on any data and performance specifications or parameters provided by Microsemi. It is the Buyer's responsibility to independently determine suitability of any products and to test and verify the same. The information provided by Microsemi hereunder is provided "as is, where is" and with all faults, and the entire risk associated with such information is entirely with the Buyer. Microsemi does not grant, explicitly or implicitly, to any party any patent rights, licenses, or any other IP rights, whether with regard to such information itself or anything described by such information. Information provided in this document is proprietary to Microsemi, and Microsemi reserves the right to make any changes to the information in this document or to any products and services at any time without notice.

VSC3312-01

8.5 Gbps 12x12 Crosspoint Switch

Features

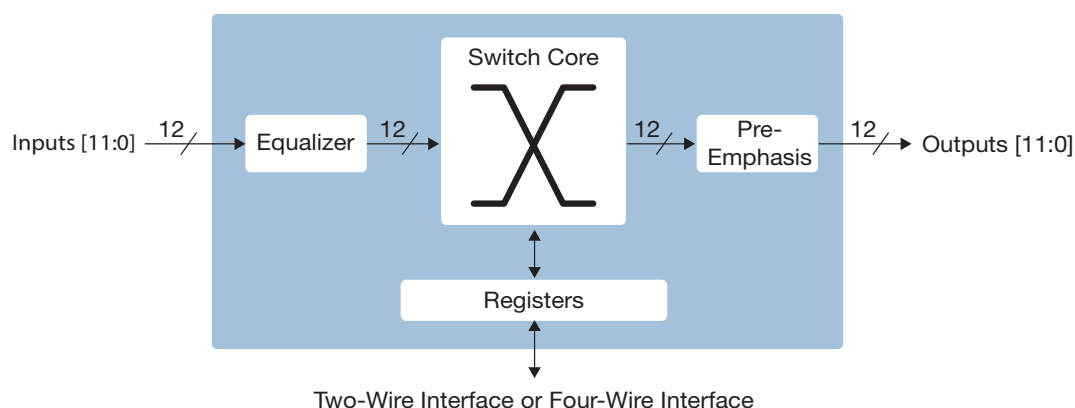
- 8.5 Gbps NRZ data bandwidth
- Fully non-blocking and multicasting switch core with per-pin signal inversion capability
- Multiple time-constant programmable input and output equalization
- Wide equalization adjustment range
- Fully asynchronous operation with <1 ns latency
- Reconfigurable I/O capability
- LOS detection and forwarding

Benefits

- Transparent support for virtually all data rates and protocols
- Allows complete flexibility in routing and distributing signals
- Compensates for multiple impairments in a signal path
- Supports all types of interconnect media: PCB, backplanes, and cable
- No adjustments based on data rate or reference clock required
- Customize the I/O to the application
- OOB forwarding for protocols like SAS and SATA

Related Products

Visit www.microsemi.com for information about other related products.



Microsemi Corporate Headquarters
 One Enterprise, Aliso Viejo, CA 92656 USA
 Within the USA: +1 (800) 713-4113
 Outside the USA: +1 (949) 380-6100
 Sales: +1 (949) 380-6136
 Fax: +1 (949) 215-4996
 email: sales.support@microsemi.com
www.microsemi.com

Microsemi Corporation (Nasdaq: MSCC) offers a comprehensive portfolio of semiconductor and system solutions for communications, defense and security, aerospace, and industrial markets. Products include high-performance and radiation-hardened analog mixed-signal integrated circuits, FPGAs, SoCs, and ASICs; power management products; timing and synchronization devices and precise time solutions; voice processing devices; RF solutions; discrete components; enterprise storage and communications solutions, security technologies, and scalable anti-tamper products; Ethernet solutions; Power-over-Ethernet ICs and midspans; custom design capabilities and services. Microsemi is headquartered in Aliso Viejo, California, and has approximately 4,800 employees worldwide. Learn more at www.microsemi.com.



**Стандарт
Электрон
Связь**

Мы молодая и активно развивающаяся компания в области поставок электронных компонентов. Мы поставляем электронные компоненты отечественного и импортного производства напрямую от производителей и с крупнейших складов мира.

Благодаря сотрудничеству с мировыми поставщиками мы осуществляем комплексные и плановые поставки широчайшего спектра электронных компонентов.

Собственная эффективная логистика и склад в обеспечивает надежную поставку продукции в точно указанные сроки по всей России.

Мы осуществляем техническую поддержку нашим клиентам и предпродажную проверку качества продукции. На все поставляемые продукты мы предоставляем гарантию .

Осуществляем поставки продукции под контролем ВП МО РФ на предприятия военно-промышленного комплекса России , а также работаем в рамках 275 ФЗ с открытием отдельных счетов в уполномоченном банке. Система менеджмента качества компании соответствует требованиям ГОСТ ISO 9001.

Минимальные сроки поставки, гибкие цены, неограниченный ассортимент и индивидуальный подход к клиентам являются основой для выстраивания долгосрочного и эффективного сотрудничества с предприятиями радиоэлектронной промышленности, предприятиями ВПК и научно-исследовательскими институтами России.

С нами вы становитесь еще успешнее!

Наши контакты:

Телефон: +7 812 627 14 35

Электронная почта: sales@st-electron.ru

Адрес: 198099, Санкт-Петербург,
Промышленная ул, дом № 19, литера Н,
помещение 100-Н Офис 331