

High Voltage 4-Ω Quad SPST CMOS Analog Switch

DESCRIPTION

The DG451 series has four independently selectable high voltage (44 V) SPST switches, each with a typical on resistance of 4 Ω and a typical flatness of 0.2 Ω, ideal parameters for low distortion audio signal switching.

The DG451 (NC) and DG452 (NO) are identical except for the digital logic control input, which is inverted as shown in the Truth Table. The DG453 has two normally closed and two normally open switches.

These are high voltage switches that are fully specified with dual supplies at ± 5 V and ± 15 V and a single supply of 12 V and operating with ultra low power dissipation (18 μW).

Fast switching speeds coupled with high signal bandwidth makes these parts suitable for video switching applications.

All digital inputs have 0.8 V and 2.4 V logic thresholds ensuring low voltage TTL/CMOS compatibility. Each switch conducts equally well in both directions when on and can handle an input signal range that extends to the supply voltage rails.

The DG451, DG452, and DG453 are pin compatible with the DG411, DG412, and DG413.

FEATURES

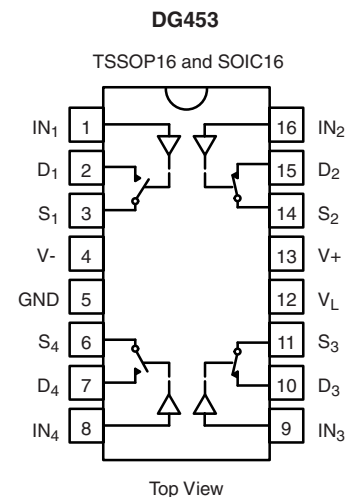
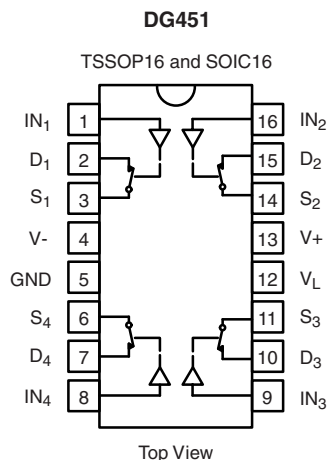
- Low on-resistance (4 Ω typical)
- On-resistance flatness (0.2 Ω typical)
- 100 mA continuous current
- 44 V supply maximum rating
- ± 15 V analog signal range
- Fully specified at supply voltages of ± 5 V, 12 V and ± 15 V
- Ultra low power dissipation of (18 μW)
- Fast switching speed:
 - t_{on} 80 ns
 - t_{off} 60 ns
- TTL/CMOS compatible
- ESD protection 2 kV
- Pin compatible with DG411, DG412, and DG413
- **Compliant to RoHS directive 2002/95/EC**


RoHS
COMPLIANT

APPLICATIONS

- Audio and video signal switching
- Precision automatic test equipment
- Precision data acquisition
- Relay replacement
- Communications systems
- Automotive and avionics applications
- Sample and hold systems

FUNCTIONAL BLOCK DIAGRAM AND PIN CONFIGURATION



TRUTH TABLE		
Logic	DG451	DG452
0	On	Off
1	Off	On

TRUTH TABLE		
Logic	SW ₁ , SW ₄	SW ₂ , SW ₃
0	Off	On
1	On	Off



ORDERING INFORMATION		
Temp. Range	Package	Part Number
DG451, DG452, DG453		
- 40 °C to 125 °C ^a	16 Pin TSSOP	DG451EQ-T1-E3 DG452EQ-T1-E3 DG453EQ-T1-E3
	16 Pin Narrow SOIC	DG451EY-T1-E3 DG452EY-T1-E3 DG453EY-T1-E3

Notes:

a. - 40 °C to 85 °C datasheet limits apply.

ABSOLUTE MAXIMUM RATINGS $T_A = 25\text{ °C}$, unless otherwise noted			
Parameter		Limit	Unit
V+ to V-		44	V
GND to V-		25	
V_L		(GND - 0.3) to (V+) + 0.3	
Digital Inputs ^a , V_S , V_D		(V-) - 2 to (V+) + 2 or 30 mA, whichever occurs first	
Continuous Current (D, S only)		100	mA
Peak Current, S or D (Pulsed 1 ms, 10 % Duty Cycle)		300	
Storage Temperature		- 65 to 150	°C
Power Dissipation (Package) ^b	16 Pin TSSOP ^c	450	mW
	16 Pin Narrow SOIC ^d	600	
Thermal Resistance (Package) ^b	16 Pin TSSOP	178	C/W
	16 Pin Narrow SOIC	125	
ESD (HBM)		2	kV

Notes:

a. Signals on S_X , D_X , or IN_X exceeding V+ or V- will be clamped by internal diodes. Limit forward diode current to maximum current ratings.

b. All leads welded or soldered to PC board.

c. Derate 5.6 mW/°C above 70 °C.

d. Derate 8.0 mW/°C above 75 °C.

SPECIFICATIONS FOR DUAL SUPPLIES									
Parameter	Symbol	Test Conditions Unless Specified $V_+ = 15\text{ V}$, $V_- = -15\text{ V}$ $V_L = 5\text{ V}$, $V_{IN} = 2.4\text{ V}$, 0.8 V^a	Temp. ^b	Typ. ^c	- 40 °C to 125 °C		- 40 °C to 85 °C		Unit
					Min. ^d	Max. ^d	Min. ^d	Max. ^d	
Analog Switch									
Analog Signal Range ^e	V_{ANALOG}		Full		- 15	15	- 15	15	V
On-Resistance	R_{ON}	$I_S = -10\text{ mA}$, $V_D = -10\text{ V to } +10\text{ V}$	Room Full	3.8		5.3 8.3		5.3 7.3	Ω
On-Resistance Match	ΔR_{ON}	$I_S = -10\text{ mA}$, $V_D = \pm 10\text{ V}$	Room Full	0.12		0.5 1		0.5 0.5	
On-Resistance Flatness	$R_{FLATNESS}$	$I_S = -10\text{ mA}$, $V_D = -5\text{ V}, 0\text{ V}, +5\text{ V}$	Room Full	0.25		0.5 0.5		0.5 0.5	
Switch Off Leakage Current	$I_{S(off)}$	$V_D = \pm 10\text{ V}$, $V_S = \mp 10\text{ V}$	Room Full	± 0.1	- 0.5 - 20	0.5 20	- 0.5 - 2.5	0.5 2.5	nA
	$I_{D(off)}$		Room Full	± 0.1	- 0.5 - 20	0.5 20	- 0.5 - 2.5	0.5 2.5	
Channel On Leakage Current	$I_{D(on)}$	$V_S = V_D = \pm 10\text{ V}$	Room Full	± 0.1	- 0.4 - 40	0.4 40	- 1 - 5	1 5	

SPECIFICATIONS FOR DUAL SUPPLIES									
Parameter	Symbol	Test Conditions Unless Specified $V_+ = 15\text{ V}$, $V_- = -15\text{ V}$ $V_L = 5\text{ V}$, $V_{IN} = 2.4\text{ V}$, 0.8 V^a	Temp. ^b	Typ. ^c	- 40 °C to 125 °C		- 40 °C to 85 °C		Unit
					Min. ^d	Max. ^d	Min. ^d	Max. ^d	
Digital Control									
Input Current, V_{IN} Low	I_{IL}	V_{IN} Under Test = 0.8 V	Full	0.005	- 0.5	0.5	- 0.5	0.5	μA
Input Current, V_{IN} High	I_{IH}	V_{IN} Under Test = 2.4 V	Full	0.005	- 0.5	0.5	- 0.5	0.5	
Input Capacitance ^e	C_{IN}	$f = 1\text{ MHz}$	Room	7					pF
Dynamic Characteristics									
Turn-On Time	t_{ON}	$R_L = 300\ \Omega$, $C_L = 35\text{ pF}$ $V_S = \pm 10\text{ V}$, See Figure 2	Room	88		118		118	ns
Turn-Off Time	t_{OFF}		Room	69		97		97	
Break-Before-Make Time Delay	t_D	DG453 only, $V_S = 10\text{ V}$ $R_L = 300\ \Omega$, $C_L = 35\text{ pF}$	Room	18					
Charge Injection ^e	Q	$V_g = 0\text{ V}$, $R_g = 0\ \Omega$, $C_L = 1\text{ nF}$	Room	22					pC
Off Isolation ^e	OIRR	$R_L = 50\ \Omega$, $C_L = 5\text{ pF}$ $f = 1\text{ MHz}$	Room	- 60					dB
Channel-to-Channel Crosstalk ^e	X_{TALK}		Room	- 85					
Source Off Capacitance ^e	$C_{S(off)}$	$f = 1\text{ MHz}$	Room	31					pF
Drain Off Capacitance ^e	$C_{D(off)}$		Room	34					
Channel On Capacitance ^e	$C_{D(on)}$		Room	103					
Total Harmonic Distortion ^e	THD	Signal = 5 V_{RMS} , 20 Hz to 20 kHz, $R_L = 600\ \Omega$	Room	0.04					%
Power Supplies									
Power Supply Current	I_+	$V_+ = 16.5\text{ V}$, $V_- = -16.5\text{ V}$ $V_L = 5\text{ V}$, $V_{IN} = 0$ or 5 V	Room	0.001		0.5		0.5	μA
Negative Supply Current	I_-		Full	- 0.001	- 0.5	- 5	- 0.5	- 5	
Logic Supply Current	I_L		Room	0.001		0.5		0.5	
Ground Current	I_{GND}		Full	- 0.001	- 0.5	- 5	- 0.5	- 5	

SPECIFICATIONS FOR DUAL SUPPLIES									
Parameter	Symbol	Test Conditions Unless Specified $V_+ = 5\text{ V}$, $V_- = -5\text{ V}$ $V_L = 5\text{ V}$, $V_{IN} = 2.4\text{ V}$, 0.8 V^a	Temp. ^b	Typ. ^c	- 40 °C to 125 °C		- 40 °C to 85 °C		Unit
					Min. ^d	Max. ^d	Min. ^d	Max. ^d	
Analog Switch									
Analog Signal Range ^e	V_{ANALOG}		Full		- 5	5	- 5	5	V
On-Resistance	R_{ON}	$V_+ = +5\text{ V}$, $V_- = -5\text{ V}$ $I_S = -10\text{ mA}$, $V_D = -3.5\text{ V}$ to $+3.5\text{ V}$	Room	3.8		11		11	Ω
On-Resistance Match	ΔR_{ON}	$V_+ = +5\text{ V}$, $V_- = -5\text{ V}$, $I_S = -10\text{ mA}$, $V_D = \pm 3.5\text{ V}$	Room	0.13		0.5		0.5	
Dynamic Characteristics									
Turn-On Time ^e	t_{ON}	$R_L = 300\ \Omega$, $C_L = 35\text{ pF}$ $V_S = 3\text{ V}$, See Figure 2	Room	170		200		200	ns
Turn-Off Time ^e	t_{OFF}		Full	66		96		96	
Break-Before-Make ^e Time Delay	t_D	DG451 only, $V_S = 3\text{ V}$ $R_L = 300\ \Omega$, $C_L = 35\text{ pF}$	Room	98					
Charge Injection ^e	Q	$V_g = 0\text{ V}$, $R_g = 0\ \Omega$, $C_L = 1\text{ nF}$	Full	8					pC

SPECIFICATIONS FOR DUAL SUPPLIES									
Parameter	Symbol	Test Conditions Unless Specified $V_+ = 5\text{ V}$, $V_- = -5\text{ V}$ $V_L = 5\text{ V}$, $V_{IN} = 2.4\text{ V}$, 0.8 V^a	Temp. ^b	Typ. ^c	- 40 °C to 125 °C		- 40 °C to 85 °C		Unit
					Min. ^d	Max. ^d	Min. ^d	Max. ^d	
Power Supplies									
Power Supply Current	I+	$V_L = 5\text{ V}$, $V_{IN} = 0$ or 5 V	Room Full	0.001		- 0.5 - 5		- 0.5 - 5	μA
Negative Supply Current	I-		Room Full	- 0.001	- 0.5 - 5		- 0.5 - 5		
Logic Supply Current	I _L		Room Full	0.001		- 0.5 - 5		- 0.5 - 5	
Ground Current	I _{GND}		Room Full	- 0.001	- 0.5 - 5		- 0.5 - 5		

SPECIFICATIONS FOR UNIPOLAR SUPPLIES									
Parameter	Symbol	Test Conditions Unless Specified $V_+ = 12\text{ V}$, $V_- = 0\text{ V}$ $V_L = 5\text{ V}$, $V_{IN} = 2.4\text{ V}$, 0.8 V^a	Temp. ^b	Typ. ^c	- 40 °C to 125 °C		- 40 °C to 85 °C		Unit
					Min. ^d	Max. ^d	Min. ^d	Max. ^d	
Analog Switch									
Analog Signal Range ^e	V _{ANALOG}		Full			12		12	V
On-Resistance	R _{ON}	I _S = - 10 mA, V _D = 0 V to + 10 V	Room Full	5.5		8.1 12.4		8.1 10.4	Ω
On-Resistance Match	ΔR_{ON}	I _S = - 10 mA, V _D = + 10 V	Room Full	0.14		0.5 1		0.5 0.5	
On-Resistance Flatness	R _{FLATNESS}	I _S = - 10 mA, V _D = 0 V, + 5 V, + 10 V	Room Full	0.94		1.5 1.7		1.5 1.5	
Dynamic Characteristics									
Turn-On Time	t _{ON}	R _L = 300 Ω , C _L = 35 pF V _S = 8 V, See Figure 2	Room Full	132		162 238		162 210	ns
Turn-Off Time	t _{OFF}		Room Full	61		91 117		91 105	
Break-Before-Make Time Delay	t _D	DG453 only, V _S = 8 V R _L = 300 Ω , C _L = 35 pF	Room	70					
Charge Injection ^e	Q	V _g = 0 V, R _g = 0 Ω , C _L = 1 nF	Room	1					pC
Power Supplies									
Power Supply Current	I+	$V_L = 5\text{ V}$, $V_{IN} = 0$ or 5 V	Room Full	0.001		0.5 5		0.5 5	μA
Negative Supply Current	I-		Room Full	- 0.001	- 0.5 - 5		- 0.5 - 5		
Logic Supply Current	I _L		Room Full	0.001		0.5 5		0.5 5	
Ground Current	I _{GND}		Room Full	- 0.001	- 0.5 - 5		- 0.5 - 5		

Notes:

- V_{IN} = input voltage to perform proper function.
- Room = 25 °C, Full = as determined by the operating temperature suffix.
- Typical values are for DESIGN AID ONLY, not guaranteed nor subject to production testing.
- The algebraic convention whereby the most negative value is a minimum and the most positive a maximum, is used in this data sheet.
- Guaranteed by design, not subject to production test.

Stresses beyond those listed under "Absolute Maximum Ratings" may cause permanent damage to the device. These are stress ratings only, and functional operation of the device at these or any other conditions beyond those indicated in the operational sections of the specifications is not implied. Exposure to absolute maximum rating conditions for extended periods may affect device reliability.

TYPICAL CHARACTERISTICS 25°C , $V_L = 5\text{ V}$, unless otherwise noted



On-Resistance vs. V_D and Dual Supply Voltage



On-Resistance vs. V_D and Single Supply Voltage



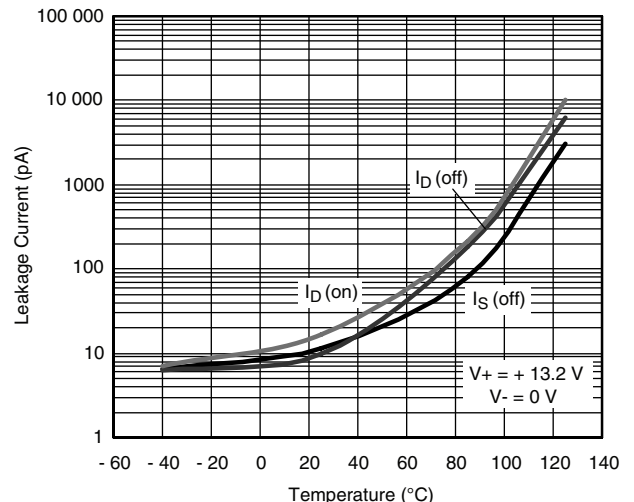
On-Resistance vs. V_D and Temperature



On-Resistance vs. V_D and Temperature



Leakage Current vs. Temperature



Leakage Current vs. Temperature

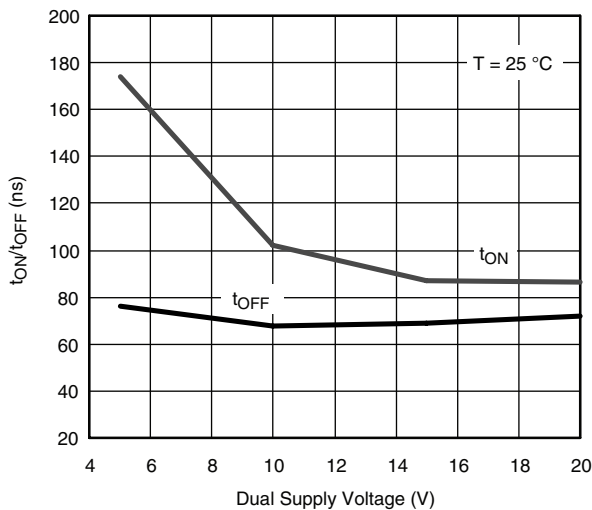
TYPICAL CHARACTERISTICS 25 °C, $V_L = 5$ V, unless otherwise noted



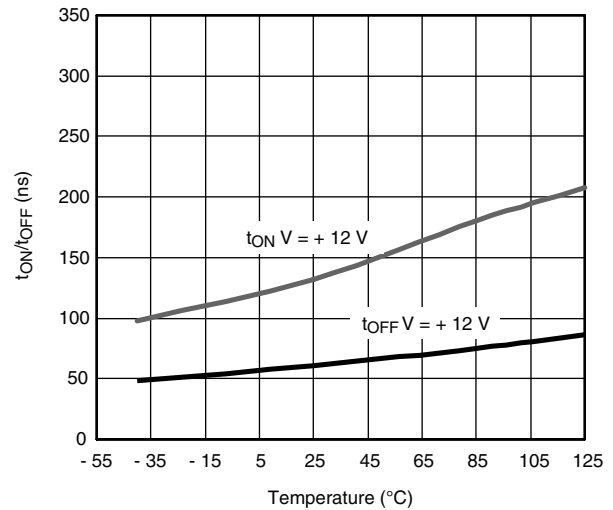
Charge Injection vs. Analog Voltage



Switching Time vs. Temperature and Dual Supply Voltage



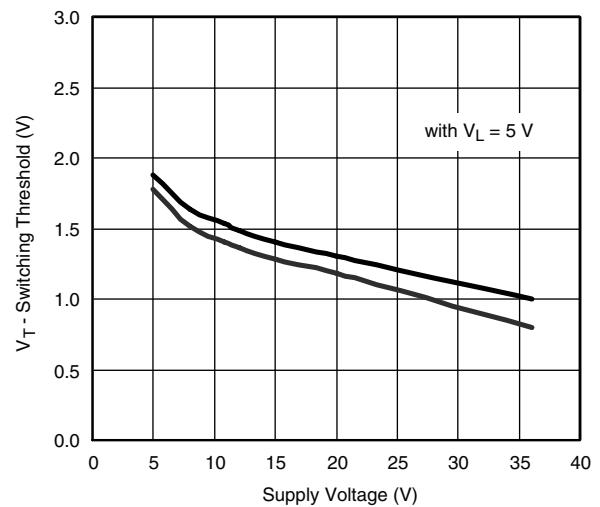
Switching Time vs. Dual Supply Voltage



Switching Time vs. Temperature and Single Supply Voltage



Switching Time vs. Single Supply Voltage

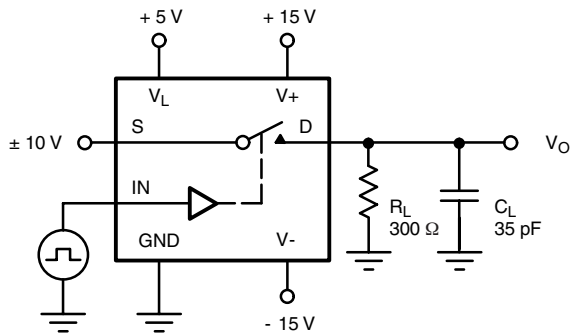


Switching Threshold vs. Supply Voltage

TYPICAL CHARACTERISTICS 25 °C, $V_L = 5\text{ V}$, unless otherwise noted

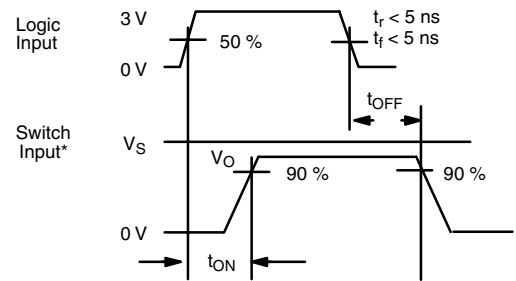


TEST CIRCUITS



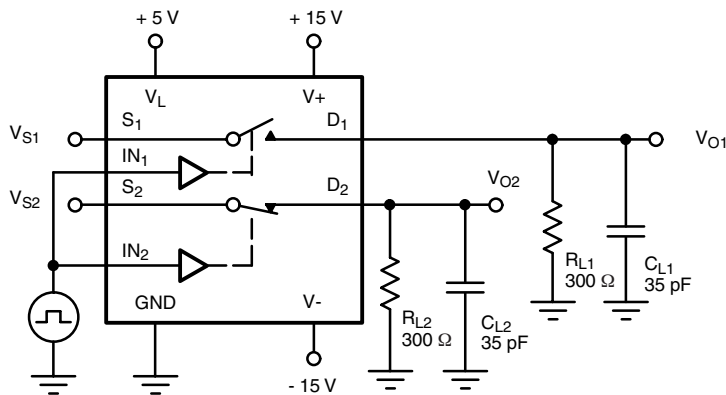
C_L (includes fixture and stray capacitance)

$$V_O = V_S \frac{R_L}{R_L + R_{DS(on)}}$$



Note: Logic input waveform is inverted for switches that have the opposite logic sense control

Figure 1. Switching Time



C_L (includes fixture and stray capacitance)

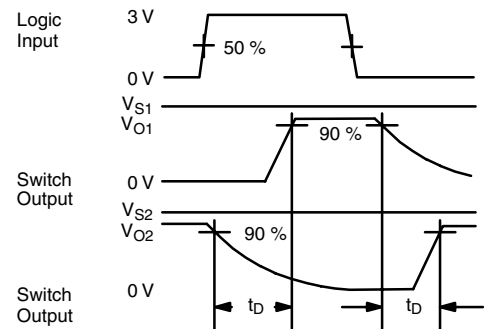


Figure 2. Break-Before-Make (DG453)

TEST CIRCUITS

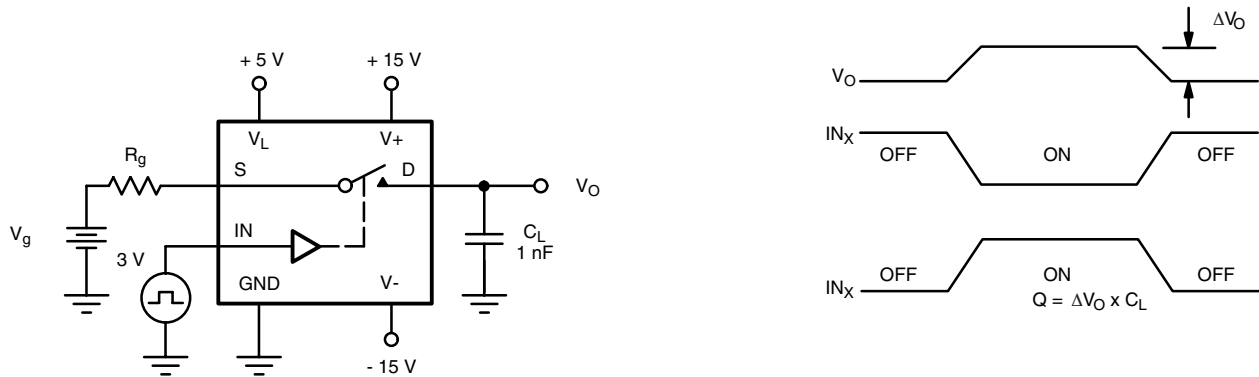


Figure 3. Charge Injection

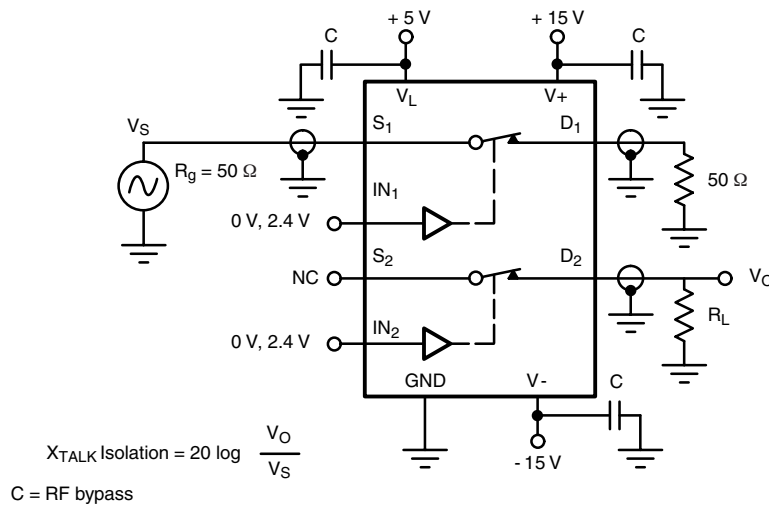


Figure 4. Crosstalk

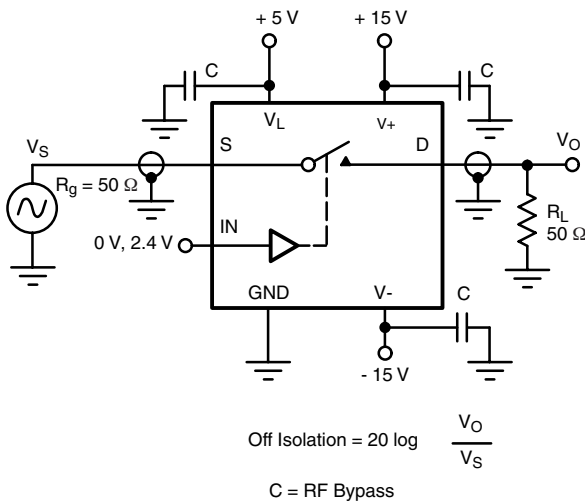


Figure 5. Off-Isolation

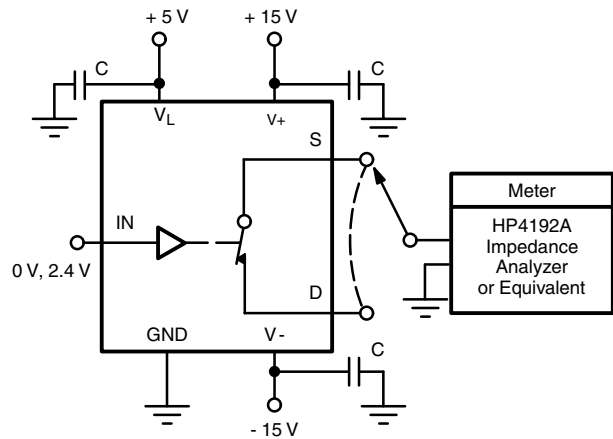


Figure 6. Source/Drain Capacitances

Vishay Siliconix maintains worldwide manufacturing capability. Products may be manufactured at one of several qualified locations. Reliability data for Silicon Technology and Package Reliability represent a composite of all qualified locations. For related documents such as package/tape drawings, part marking, and reliability data, see www.vishay.com/ppg?74470.



SOIC (NARROW): 16-LEAD
JEDEC Part Number: MS-012

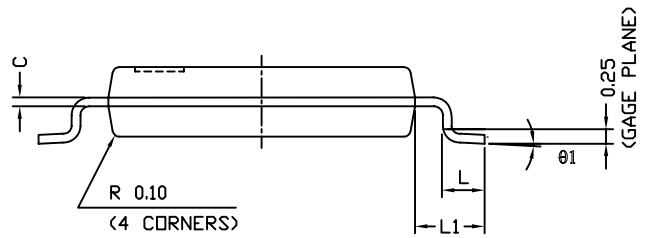
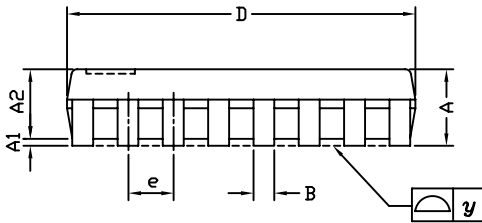
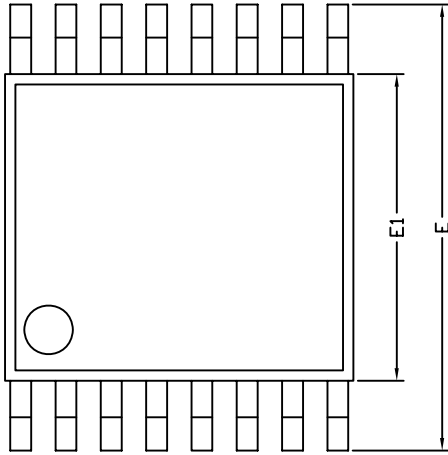


Dim	MILLIMETERS		INCHES	
	Min	Max	Min	Max
A	1.35	1.75	0.053	0.069
A ₁	0.10	0.20	0.004	0.008
B	0.38	0.51	0.015	0.020
C	0.18	0.23	0.007	0.009
D	9.80	10.00	0.385	0.393
E	3.80	4.00	0.149	0.157
e	1.27 BSC		0.050 BSC	
H	5.80	6.20	0.228	0.244
L	0.50	0.93	0.020	0.037
∅	0°	8°	0°	8°

ECN: S-03946—Rev. F, 09-Jul-01
DWG: 5300



TSSOP: 16-LEAD



Symbols	DIMENSIONS IN MILLIMETERS		
	Min	Nom	Max
A	-	1.10	1.20
A1	0.05	0.10	0.15
A2	-	1.00	1.05
B	0.22	0.28	0.38
C	-	0.127	-
D	4.90	5.00	5.10
E	6.10	6.40	6.70
E1	4.30	4.40	4.50
e	-	0.65	-
L	0.50	0.60	0.70
L1	0.90	1.00	1.10
y	-	-	0.10
θ1	0°	3°	6°

ECN: S-61920-Rev. D, 23-Oct-06
DWG: 5624



RECOMMENDED MINIMUM PAD FOR TSSOP-16



Recommended Minimum Pads
Dimensions in inches (mm)

RECOMMENDED MINIMUM PADS FOR SO-16



Recommended Minimum Pads
Dimensions in Inches/(mm)

[Return to Index](#)



Disclaimer

ALL PRODUCT, PRODUCT SPECIFICATIONS AND DATA ARE SUBJECT TO CHANGE WITHOUT NOTICE TO IMPROVE RELIABILITY, FUNCTION OR DESIGN OR OTHERWISE.

Vishay Intertechnology, Inc., its affiliates, agents, and employees, and all persons acting on its or their behalf (collectively, "Vishay"), disclaim any and all liability for any errors, inaccuracies or incompleteness contained in any datasheet or in any other disclosure relating to any product.

Vishay makes no warranty, representation or guarantee regarding the suitability of the products for any particular purpose or the continuing production of any product. To the maximum extent permitted by applicable law, Vishay disclaims (i) any and all liability arising out of the application or use of any product, (ii) any and all liability, including without limitation special, consequential or incidental damages, and (iii) any and all implied warranties, including warranties of fitness for particular purpose, non-infringement and merchantability.

Statements regarding the suitability of products for certain types of applications are based on Vishay's knowledge of typical requirements that are often placed on Vishay products in generic applications. Such statements are not binding statements about the suitability of products for a particular application. It is the customer's responsibility to validate that a particular product with the properties described in the product specification is suitable for use in a particular application. Parameters provided in datasheets and/or specifications may vary in different applications and performance may vary over time. All operating parameters, including typical parameters, must be validated for each customer application by the customer's technical experts. Product specifications do not expand or otherwise modify Vishay's terms and conditions of purchase, including but not limited to the warranty expressed therein.

Except as expressly indicated in writing, Vishay products are not designed for use in medical, life-saving, or life-sustaining applications or for any other application in which the failure of the Vishay product could result in personal injury or death. Customers using or selling Vishay products not expressly indicated for use in such applications do so at their own risk. Please contact authorized Vishay personnel to obtain written terms and conditions regarding products designed for such applications.

No license, express or implied, by estoppel or otherwise, to any intellectual property rights is granted by this document or by any conduct of Vishay. Product names and markings noted herein may be trademarks of their respective owners.

Material Category Policy

Vishay Intertechnology, Inc. hereby certifies that all its products that are identified as RoHS-Compliant fulfill the definitions and restrictions defined under Directive 2011/65/EU of The European Parliament and of the Council of June 8, 2011 on the restriction of the use of certain hazardous substances in electrical and electronic equipment (EEE) - recast, unless otherwise specified as non-compliant.

Please note that some Vishay documentation may still make reference to RoHS Directive 2002/95/EC. We confirm that all the products identified as being compliant to Directive 2002/95/EC conform to Directive 2011/65/EU.

Vishay Intertechnology, Inc. hereby certifies that all its products that are identified as Halogen-Free follow Halogen-Free requirements as per JEDEC JS709A standards. Please note that some Vishay documentation may still make reference to the IEC 61249-2-21 definition. We confirm that all the products identified as being compliant to IEC 61249-2-21 conform to JEDEC JS709A standards.



**Стандарт
Электрон
Связь**

Мы молодая и активно развивающаяся компания в области поставок электронных компонентов. Мы поставляем электронные компоненты отечественного и импортного производства напрямую от производителей и с крупнейших складов мира.

Благодаря сотрудничеству с мировыми поставщиками мы осуществляем комплексные и плановые поставки широчайшего спектра электронных компонентов.

Собственная эффективная логистика и склад в обеспечивает надежную поставку продукции в точно указанные сроки по всей России.

Мы осуществляем техническую поддержку нашим клиентам и предпродажную проверку качества продукции. На все поставляемые продукты мы предоставляем гарантию .

Осуществляем поставки продукции под контролем ВП МО РФ на предприятия военно-промышленного комплекса России , а также работаем в рамках 275 ФЗ с открытием отдельных счетов в уполномоченном банке. Система менеджмента качества компании соответствует требованиям ГОСТ ISO 9001.

Минимальные сроки поставки, гибкие цены, неограниченный ассортимент и индивидуальный подход к клиентам являются основой для выстраивания долгосрочного и эффективного сотрудничества с предприятиями радиоэлектронной промышленности, предприятиями ВПК и научно-исследовательскими институтами России.

С нами вы становитесь еще успешнее!

Наши контакты:

Телефон: +7 812 627 14 35

Электронная почта: sales@st-electron.ru

Адрес: 198099, Санкт-Петербург,
Промышленная ул, дом № 19, литера Н,
помещение 100-Н Офис 331