

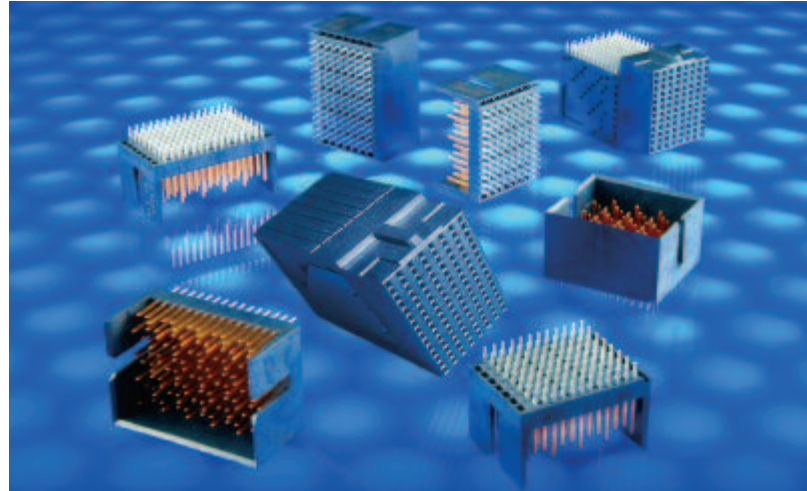
## Introduction

### Product Facts

- 10+ Gbps performance
- 100 ohm Impedance for Differential Pair configuration
- 5 pair version offers 26 pairs/10mm [66 differential pairs/inch] fitting within a 25.40 [1.00] card slot pitch
- 4 pair version offers 21 pairs/10mm [53 differential pairs/inch] fitting within a 20.30 [.800] card slot pitch
- 3 pair version offering 16 pairs/10mm [40 differential pairs/inch] fitting within a 16.25 [.625] card slot pitch
- Right angle pin headers (coplanar) in 3 pair, 4 pair, and 5 pair versions
- Reliable, redundant contact design on every signal contact
- Modular system offered in various column versions
- Meets Industry reliability requirements of Bellcore/Telcordia
- Sequencing for ground and signal contacts
- RoHS Compliant

### Future Product Extensions

- Vertical receptacles
- High speed cable assemblies and hardware



The Z-PACK TinMan backplane connector family is a cost-effective solution for customers searching for a high density, high performance backplane interconnect system.

The Z-PACK TinMan connector design follows proven industry backplane convention by offering a fully protected right-angle receptacle for use on daughter-cards where handling damage can be a concern when mating to a vertical male header. This connector permits field repairability at either the module or single pin levels.

Ground contacts positioned within each column of the connector, combined with unique contact lead frame arrangements, enable the Z-PACK TinMan connector to achieve low crosstalk and high through-put performance levels. Reliability is provided with a dual point of contact mating interface and compliant pin interface to the printed circuit board.

### Industry Applications

Ideally designed for cost pressured, high signal density applications requiring interconnection between two printed circuit boards, such as those typically found in server, storage, switch, router, and similar applications. The Z-PACK TinMan connector product family is suited to meet the demands of today's modular system designs by offering a variety of configurations. The product family includes configurations to fit 20.32 [.800] and 25.40 [1.00] card slot spacing.

### Technical Documents

**Product Specification** 108-2303

**Application Specification** 114-13202

**Routing Guide Report** #27GC001-1

### Material and Finish

**Signal Contact** — High Strength Copper Alloy

**Ground Contact** — High Strength Copper Alloy

**Housing** — Liquid Crystal Polymer

**Platings** — Telcordia compliant interface, Nickel underplate

**Compliant Pin Plating** — RoHS Compliant

### Ratings

**Temperature Range** — -65°C to +90°C

**Current Rating** — 0.5 A/contact @ < 30°C T-Rise

**Durability** — 200 cycles

**Dielectric Withstanding Voltage** — 560 VAC

**Operating Voltage** — 250 VAC max.

### Signal Integrity

**Characteristic Impedance** — Differential @ 100 ohms ±10%

**Crosstalk** — Multi-pair differential crosstalk: 2.1% @ 50ps

**Insertion Loss** — -2 dB @ 10 GHz



For additional information visit:  
<http://www.tycoelectronics.com/zpacktinman>

## Introduction (Continued)

### Need more information?

Call Technical Support at the numbers listed below.

Technical Support is staffed with specialists well versed in Tyco Electronics products. They can provide you with:

- Technical support
- Catalogs
- Technical Documents
- Product Samples
- Authorized Distributor Locations

### Disclaimer

While Tyco Electronics Corporation and its affiliates referenced herein ("Tyco Electronics") have made every reasonable effort to ensure the accuracy of the information in this catalog, Tyco Electronics does not guarantee that it is error-free, nor does Tyco Electronics make any other representation, warranty or guarantee that the information is accurate, correct, reliable or current.

Tyco Electronics reserves the right to make any adjustments to the information contained herein at any time without notice. Tyco Electronics expressly disclaims all implied warranties regarding the information contained herein, including, but not limited to, any implied warranties of merchantability or fitness for a particular purpose. Tyco Electronics' only obligations are those in the Tyco Electronics Standard Terms and Conditions of Sale, and in no case will Tyco Electronics be responsible for any incidental, indirect, or consequential damages arising from the sale, resale, use, or misuse of its products. Users should independently evaluate the suitability of, and test each product for, their application.

The dimensions, specifications, designs, construction, materials and processes in this catalog are for reference purposes only and are subject to change without notice. Please consult Tyco Electronics for the most current product information.

The export of certain Tyco Electronics products is restricted by the Arms Export Control Act (Title 22, U.S.C.

Sec 2751, et seq.) or the Export Administration Act of 1979, as amended (Title 50, U.S.C., App. 2401 et seq.).

Orders may be subject to export approval by the U.S. Government. Buyer must comply with all applicable export laws of all applicable jurisdictions.

© 2005 and 2007 by Tyco Electronics Corporation.

All International Rights Reserved.

AMP, MULTI-BEAM XL, MULTIGIG RT, Z-PACK, Z-PACK TinMan and TE LOGO and Tyco Electronics are trademarks.

Other products, logos, and company names mentioned herein may be trademarks of their respective owners.

### Restriction on the use of Hazardous Substances (RoHS)

At Tyco Electronics, we're ready to support your RoHS requirements. We've assessed more than 1.5 million end items/components for RoHS compliance, and issued new part numbers where any change was required to eliminate the restricted materials. Part numbers in this catalog are identified as:

**RoHS Compliant** — Part numbers in this catalog are RoHS Compliant, unless marked otherwise. These products comply with European Union Directive 2002/95/EC as amended 1 January 2006 that restricts the use of lead, mercury, cadmium, hexavalent chromium, PBB, and PBDE in certain electrical and electronic products sold into the EU as of 1 July 2006.

NOTE: For purposes of this Catalog, included within the definition of RoHS Compliant are products that are clearly "Out of Scope" of the RoHS Directive such as hand tools and other non-electrical accessories.

NOTE: Information regarding RoHS compliance is provided based on reasonable inquiry of our suppliers and represents our current actual knowledge based on the information provided by our suppliers. This information is subject to change. For latest compliance status, refer to our website referenced at right.

### Getting the Information You Need

Our comprehensive on-line RoHS Customer Support Center provides a forum to answer your questions and support your RoHS needs. A RoHS FAQ (Frequently Asked Questions) is available with links to more detailed information. You can also submit RoHS questions and receive a response within 24 hours during a normal work week. The Support Center also provides:

- Cross-Reference from Non-compliant to Compliant Products
- Ability to browse RoHS Compliant Products in our on-line catalog
- Downloadable Technical Data Customer Information Presentation
- More detailed information regarding the definitions used above
- So whatever your questions when it comes to RoHS, we've got the answers at [www.tycoelectronics.com/leadfree](http://www.tycoelectronics.com/leadfree)

RoHS  
Customer  
Support  
Center 

**Introduction** (Continued)

**Table of Contents**

Introduction	1-5
Table of Contents	3
5 Pair Right Angle Receptacle Assemblies	6
4 Pair Right Angle Receptacle Assemblies	7
3 Pair Right Angle Receptacle Assemblies	8
5 Pair Vertical Header Assemblies	9
5 Pair Vertical Header Assemblies — Left End Wall	10
5 Pair Vertical Header Assemblies — Right End Wall	11
5 Pair Vertical Header Assemblies — Double End Walls	12
4 Pair Vertical Header Assemblies	13
4 Pair Vertical Header Assemblies — Left End Wall	14
4 Pair Vertical Header Assemblies — Right End Wall	15
4 Pair Vertical Header Assemblies — Double End Walls	16
3 Pair Vertical Header Assemblies	17
3 Pair Vertical Header Assemblies — Left End Wall	18
3 Pair Vertical Header Assemblies — Right End Wall	19
3 Pair Vertical Header Assemblies — Double End Walls	20
5 Pair Right Angle Pin Header Assemblies	21
5 Pair Right Angle Pin Header Assemblies — Double End Walls	22
4 Pair Right Angle Pin Header Assemblies	23
4 Pair Right Angle Pin Header Assemblies — Double End Walls	24
3 Pair Right Angle Pin Header Assemblies	25
3 Pair Right Angle Pin Header Assemblies — Double End Walls	26
Z-PACK TinMan Mid-Plane (Orthogonal) Connector Overview	27-29
6 Pair Mid-Plane Assemblies	30-32
4 Pair Mid-Plane Assemblies	33-35
Z-PACK TinMan Product Mating Sequence Chart	36
Z-PACK MAX Part Number to Z-PACK TinMan Part Number Cross-Reference	37, 38
Part Number Index	39

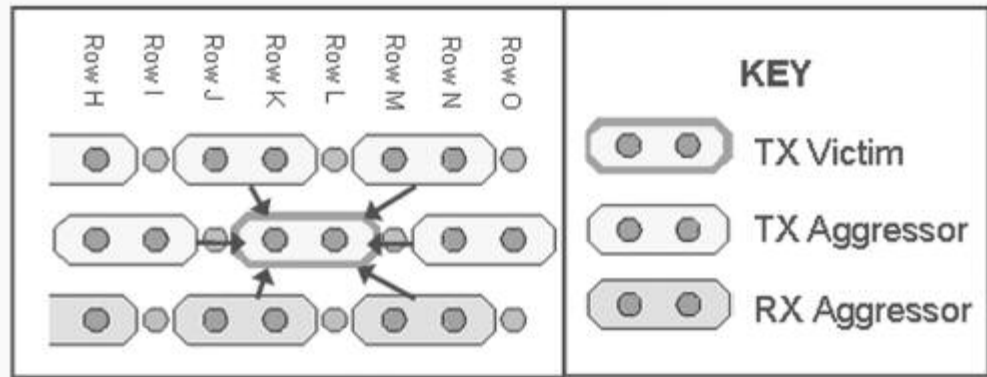
**Introduction** (Continued)

**Noise Table**

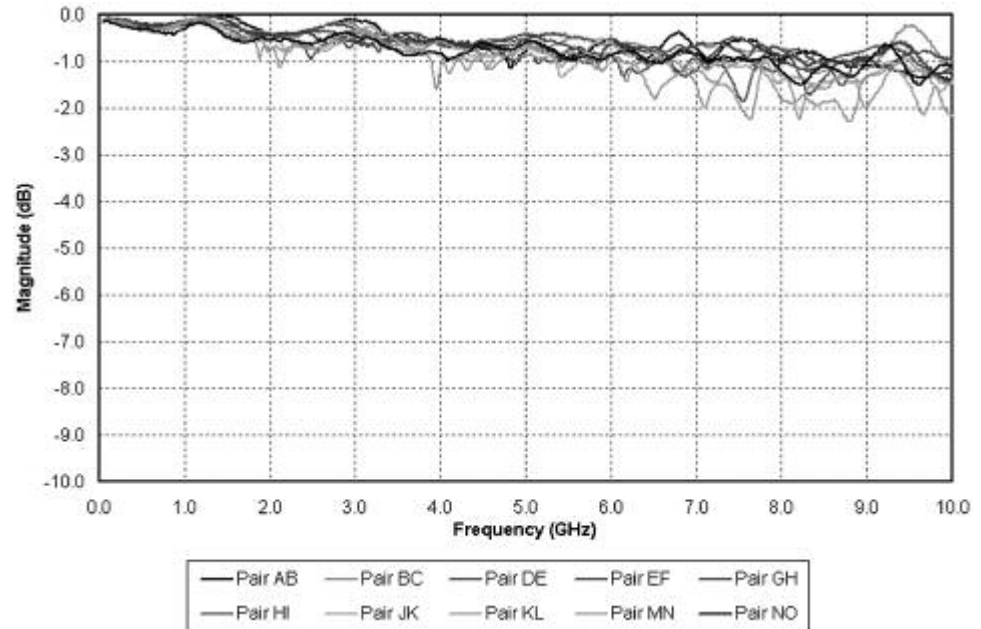
- Maximum, multiple source crosstalk

Victim Pair	Total Peak Receiver Noise for Recommended Pin-Out
AB9	0.8%
BC8	1.6%
DE9	1.9%
EF8	1.9%
GH9	2.0%
HI8	2.0%
JG9	2.0%
KL8	2.1%
MN9	1.7%
NO8	0.8%

**Note:** Data includes PCB vias of both backplane and daughtercard connectors. Single mated connector pair 50 ps (20-80%) edge rate



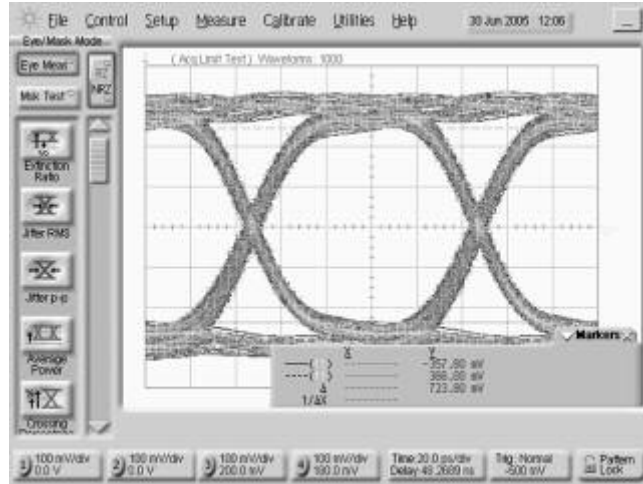
**Insertion Loss Plot**



**Introduction** (Continued)

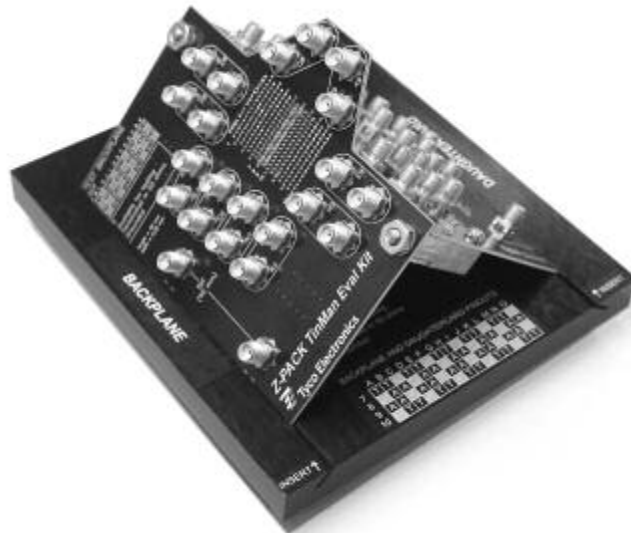
**Representative Eye Pattern**

- 10.0 Gbps data rate
- 2<sup>7</sup>-1 PRBS
- Unequalized Signal



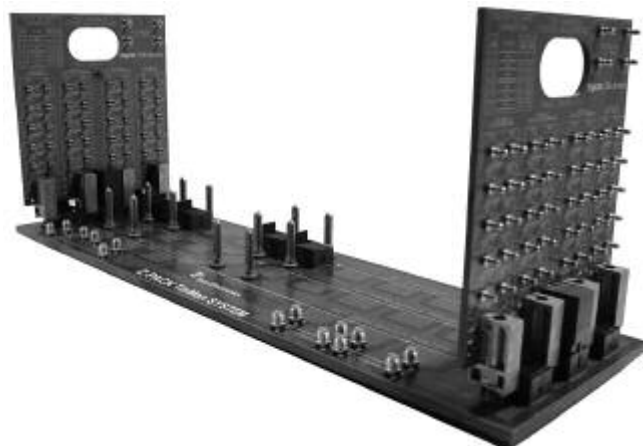
**Customer Connector  
Evaluation Kit**

- Connector characterization
- Available for loan — contact your local Tyco Electronics Sales Engineer
- Time and frequency domain testable
- Testable to 18+ GHz (25+ Gb/s)
- Multiple calibration options
- Convenient SMA interface



**Customer System  
Evaluation Kit**

- System characterization
- Available for loan — contact your local Tyco Electronics Sales Engineer
- Time and frequency domain testable
- Testable to 18+ GHz (25+ Gb/s)
- Multiple system lengths
- Convenient SMA interface

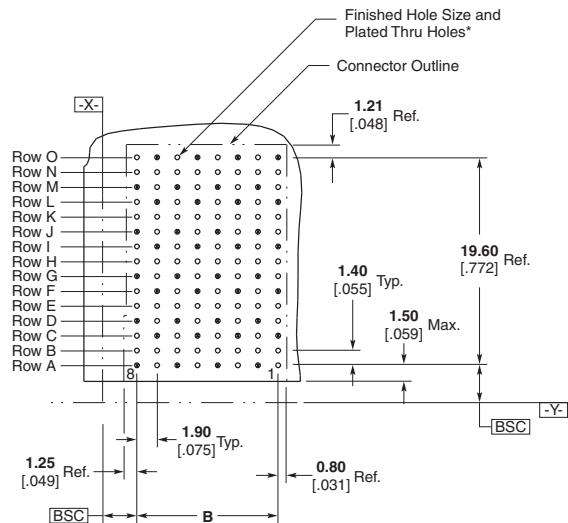
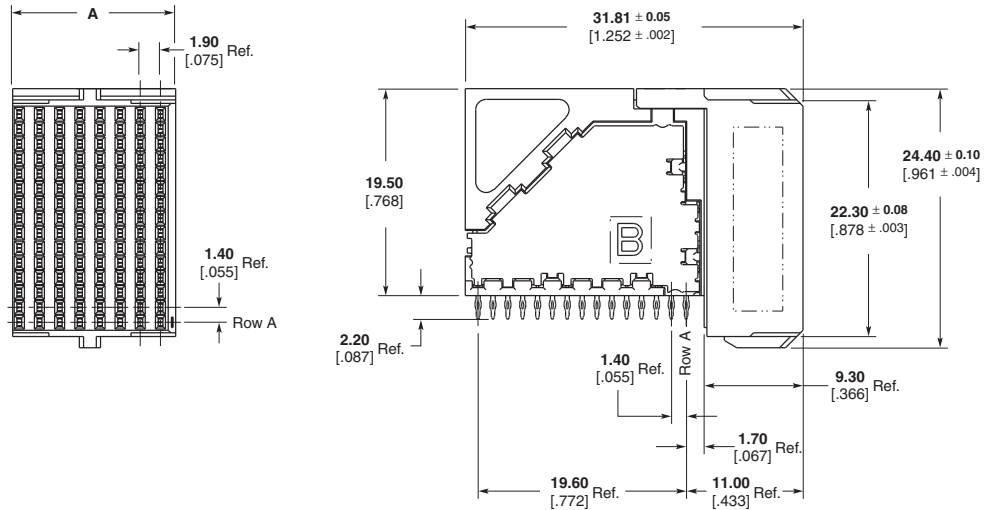




### 5 Pair Right Angle Receptacle Assemblies

Column	Part Number	Dimension		Application Tooling	Mates With
		A	B		
8	1934218-1	15.35 .604	13.30 .524	*	1934269-1,(R) 1934272-1,(L) 1934273-1, 1934271-1, 1934349-1, 1934350-1
16	1934221-1	30.55 1.203	28.50 1.122	*	1934331-1, 1934334-1, 1934333-1, 1934332-1, 1934347-1, 1934348-1

\* Custom tooling not required. Utilizes flat-rock insertion tooling. Reference Application Specification 114-13202.



Recommended PC Board Layout  
Daughterboard  
Component Side Shown

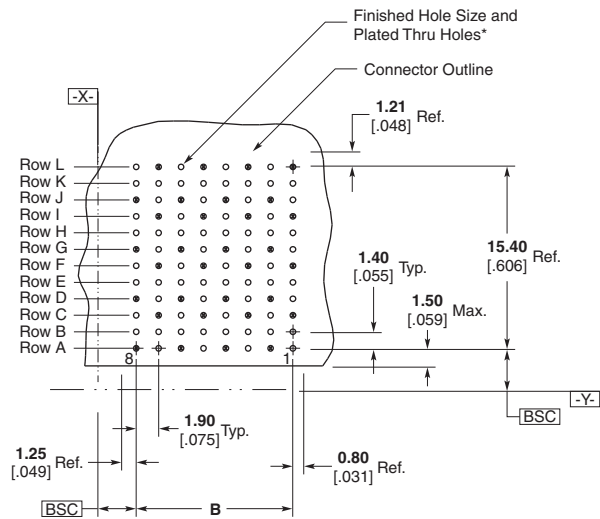
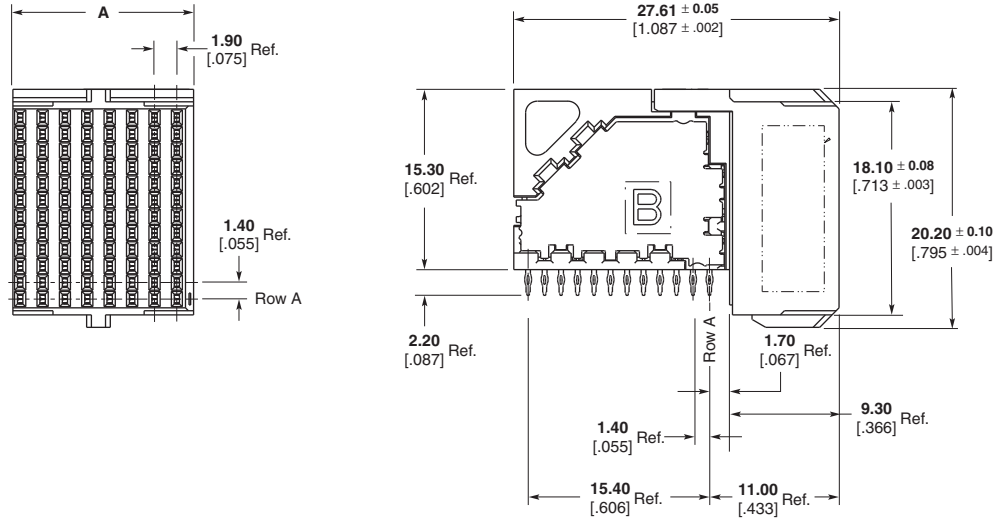
**Note:** For additional information on pcb routing guidelines, reference the Z-PACK TinMan Connector Routing Guide Report #27GC001-1.

\* Finished Hole Diameter =  $0.46 \pm 0.05$  [.018 ± .002]  
 Drilled Hole Diameter =  $0.55 \pm 0.02$  [.022 ± .001]  
 Copper Thickness =  $0.038 \pm 0.013$  [.0015 ± .0005]  
 Tin-Lead Thickness =  $0.008 \pm 0.004$  [.0003 ± .0002]  
 Finishes other than Tin-Lead, See Appl. Spec. 114-13202

### 4 Pair Right Angle Receptacle Assemblies

Column	Part Number	Dimension		Application Tooling	Mates With
		A	B		
8	1934222-1	15.35 .604	13.30 .524	*	1934226-1, 1934304-1, 1934303-1, 1934306-1, 1934225-1, 1934354-1,
16	1934225-1	30.55 1.203	28.50 1.122	*	1934315-1, 1934318-1, 1934317-1, 1934316-1, 1934351-1, 1934352-1,

\* Custom tooling not required. Utilizes flat-rock insertion tooling. Reference Application Specification 114-13202.



**Recommended PC Board Layout  
Daughterboard  
Component Side Shown**

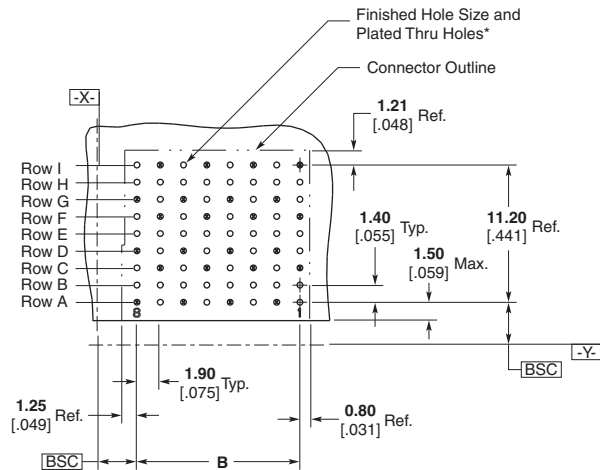
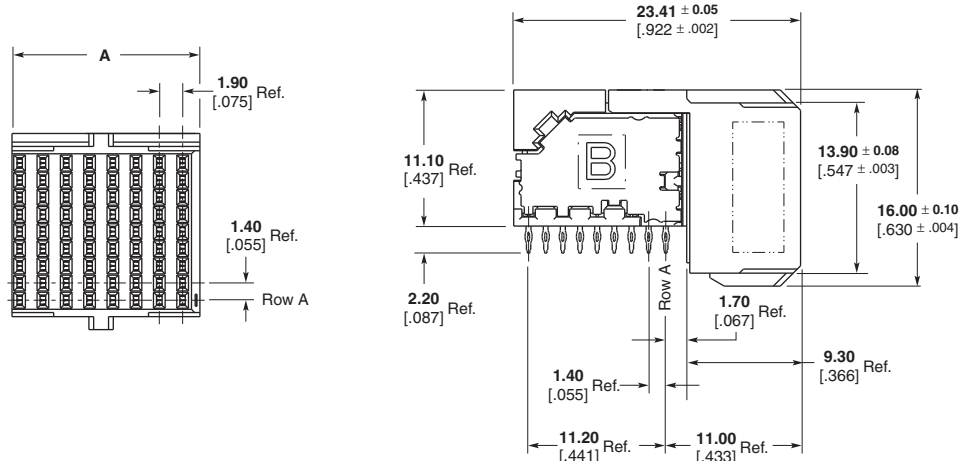
**Note:** For additional information on pcb routing guidelines, reference the Z-PACK TinMan Connector Routing Guide Report #27GC001-1.

\* Finished Hole Diameter =  $0.46 \pm 0.05$  [.018 ± .002]  
 Drilled Hole Diameter =  $0.55 \pm 0.02$  [.022 ± .001]  
 Copper Thickness =  $0.038 \pm 0.013$  [.0015 ± .0005]  
 Tin-Lead Thickness =  $0.008 \pm 0.004$  [.0003 ± .0002]  
 Finishes other than Tin-Lead, See Appl. Spec. 114-13202

### 3 Pair Right Angle Receptacle Assemblies

Column	Part Number	Dimension		Application Tooling	Mates With
		A	B		
8	1934226-1	15.35 .604	13.30 .524	*	1934299-1, 1934300-1, 1934301-1, 1934302-1, 1934359-1, 1934360-1,
10	1934228-1	19.15 .754	17.10 .673	*	1934339-1, 1934341-1, 1934340-1, 1934342-1, 1934357-1, 1934358-1,
16	1934229-1	30.55 1.203	28.50 1.122	*	1934339-1, 1934340-1, 1934345-1, 1934346-1, 1934355-1, 1934356-1,

\* Custom tooling not required. Utilizes flat-rock insertion tooling. Reference Application Specification 114-13202.



**Recommended PC Board Layout  
Daughterboard  
Component Side Shown**

**Note:** For additional information on pcb routing guidelines, reference the Z-PACK TinMan Connector Routing Guide Report #27GC001-1.

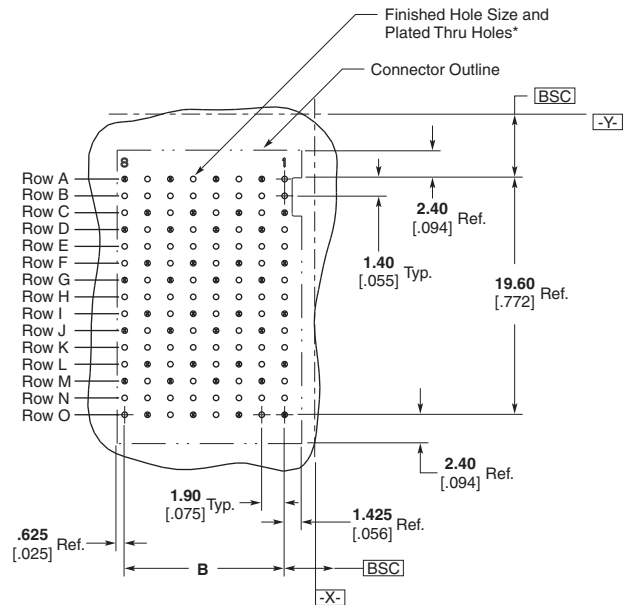
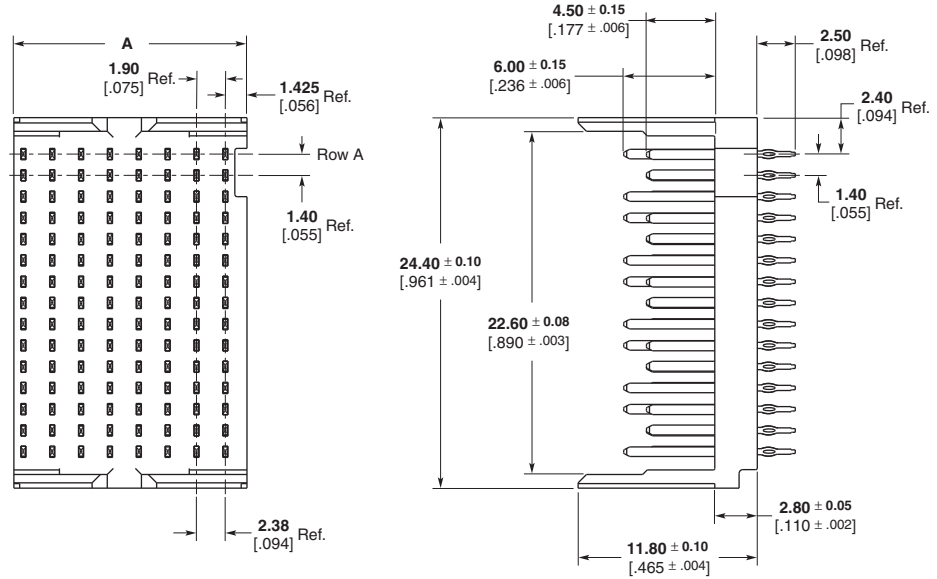
\* Finished Hole Diameter =  $0.46 \pm 0.05$  [ $0.018 \pm .002$ ]  
 Drilled Hole Diameter =  $0.55 \pm 0.02$  [ $0.022 \pm .001$ ]  
 Copper Thickness =  $0.038 \pm 0.013$  [ $0.0015 \pm .0005$ ]  
 Tin-Lead Thickness =  $0.008 \pm 0.004$  [ $0.0003 \pm .0002$ ]  
 Finishes other than Tin-Lead, See Appl. Spec. 114-13202



### 5 Pair Vertical Header Assemblies

Column	Part Number	Dimension		Application Tooling*	Mates With
		A	B		
8	1934269-1	15.35 .604	13.30 .524	1-1804791-1	1934218-1
16	1934331-1	30.55 1.203	28.50 1.122	1-1804791-2	1934221-1

\* Reference Application Specification 114-13202.



Recommended PC Board Layout  
Backplane  
Component Side Shown

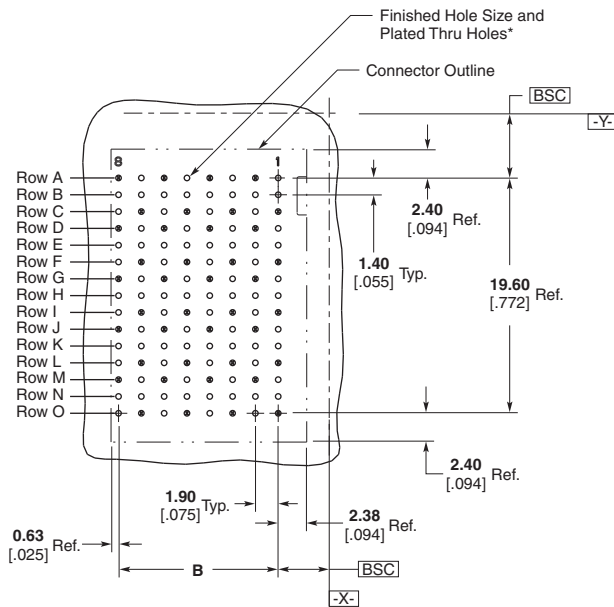
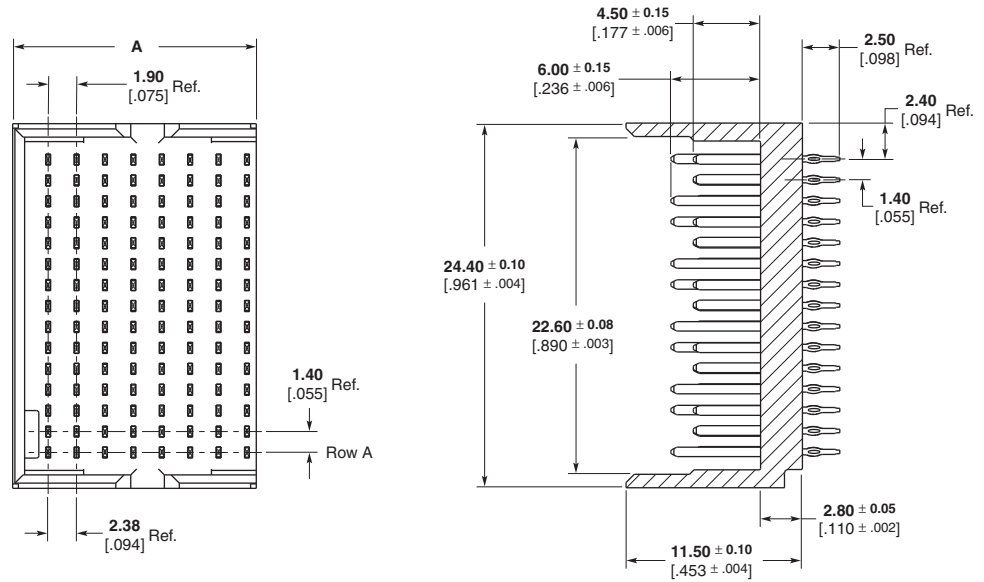
**Note:** For additional information on pcb routing guidelines, reference the Z-PACK TinMan Connector Routing Guide Report #27GC001-1.

\* Finished Hole Diameter =  $0.46 \pm 0.05$  [0.018 ± 0.002]  
 Drilled Hole Diameter =  $0.55 \pm 0.02$  [0.022 ± 0.001]  
 Copper Thickness =  $0.038 \pm 0.013$  [0.0015 ± 0.0005]  
 Tin-Lead Thickness =  $0.008 \pm 0.004$  [0.0003 ± 0.0002]  
 Finishes other than Tin-Lead, See Appl. Spec. 114-13202

### 5 Pair Vertical Header Assemblies — Left End Wall

Column	Part Number	Dimension		Application Tooling*	Mates With
		A	B		
8	1934272-1	16.30 .642	13.30 .524	1-1804791-1	1934218-1
16	1934333-1	31.50 1.240	28.50 1.122	1-1804791-2	1934221-1

\* Reference Application Specification 114-13202.



**Recommended PC Board Layout  
Backplane  
Component Side Shown**

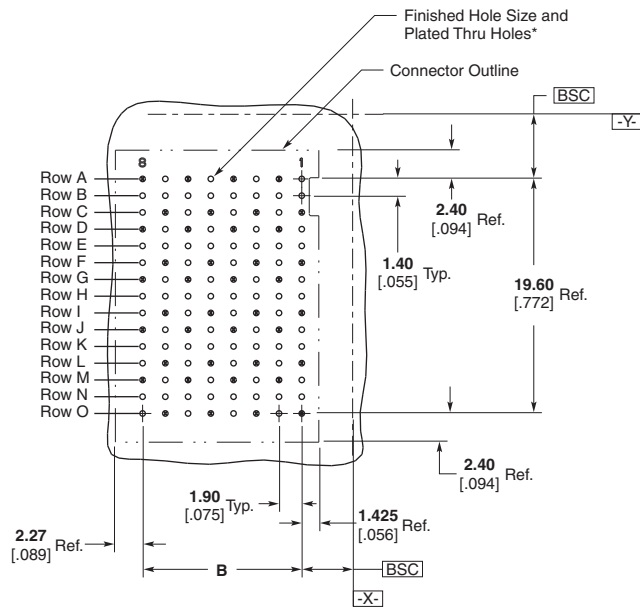
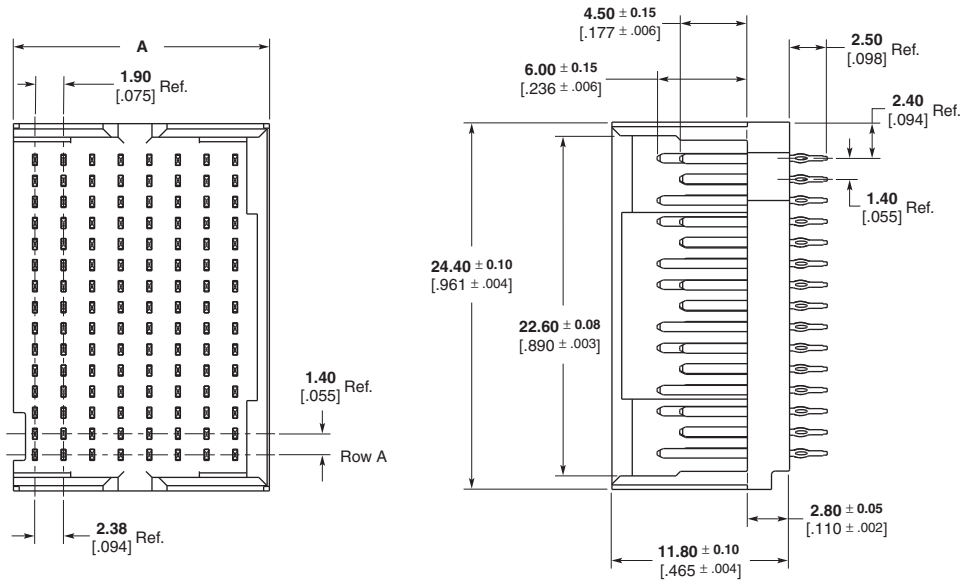
**Note:** For additional information on pcb routing guidelines, reference the Z-PACK TinMan Connector Routing Guide Report #27GC001-1.

\* Finished Hole Diameter =  $0.46 \pm 0.05$  [0.018 ± .002]  
 Drilled Hole Diameter =  $0.55 \pm 0.02$  [0.022 ± .001]  
 Copper Thickness =  $0.038 \pm 0.013$  [0.0015 ± .0005]  
 Tin-Lead Thickness =  $0.008 \pm 0.004$  [0.0003 ± .0002]  
 Finishes other than Tin-Lead, See Appl. Spec. 114-13202

### 5 Pair Vertical Header Assemblies — Right End Wall

Column	Part Number	Dimension		Application Tooling*	Mates With
		A	B		
8	1934273-1	17.00 .669	13.30 .524	1-1804791-1	1934218-1
16	1934334-1	32.20 1.268	28.50 1.122	1-1804791-2	1934221-1

\* Reference Application Specification 114-13202.



**Recommended PC Board Layout  
Backplane  
Component Side Shown**

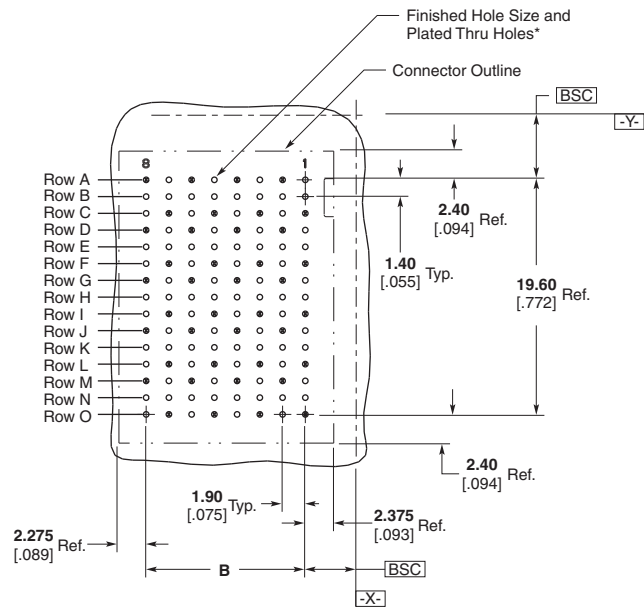
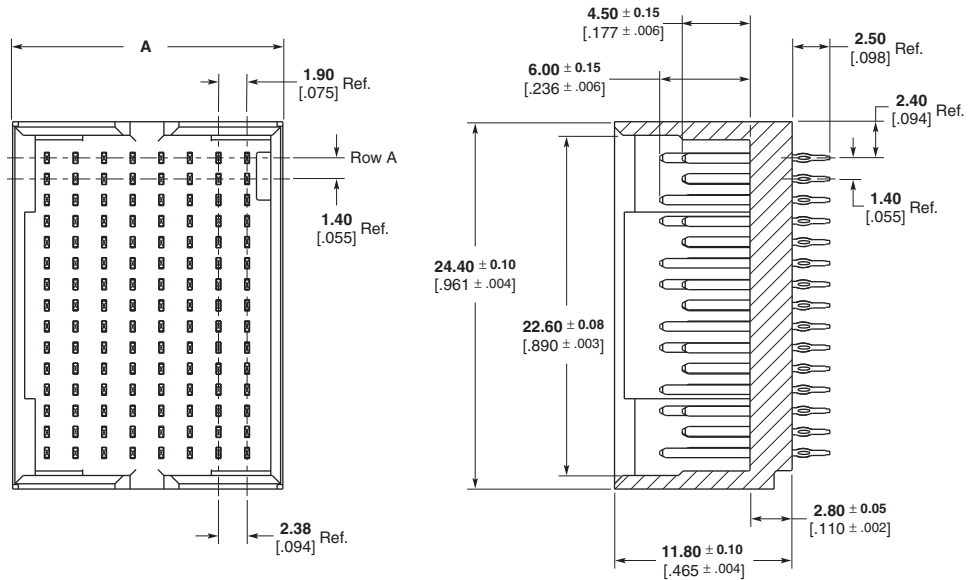
**Note:** For additional information on pcb routing guidelines, reference the Z-PACK TinMan Connector Routing Guide Report #27GC001-1.

\* Finished Hole Diameter =  $0.46 \pm 0.05$  [.018 ± .002]  
 Drilled Hole Diameter =  $0.55 \pm 0.02$  [.022 ± .001]  
 Copper Thickness =  $0.038 \pm 0.013$  [.0015 ± .0005]  
 Tin-Lead Thickness =  $0.008 \pm 0.004$  [.0003 ± .0002]  
 Finishes other than Tin-Lead, See Appl. Spec. 114-13202

### 5 Pair Vertical Header Assemblies — Double End Walls

Column	Part Number	Dimension		Application Tooling*	Mates With
		A	B		
8	1934271-1	17.95 .707	13.30 .524	1-1804791-1	1934218-1
16	1934332-1	33.15 1.305	28.50 1.122	1-1804791-2	1934221-1

\* Reference Application Specification 114-13202.



Recommended PC Board Layout  
Backplane  
Component Side Shown

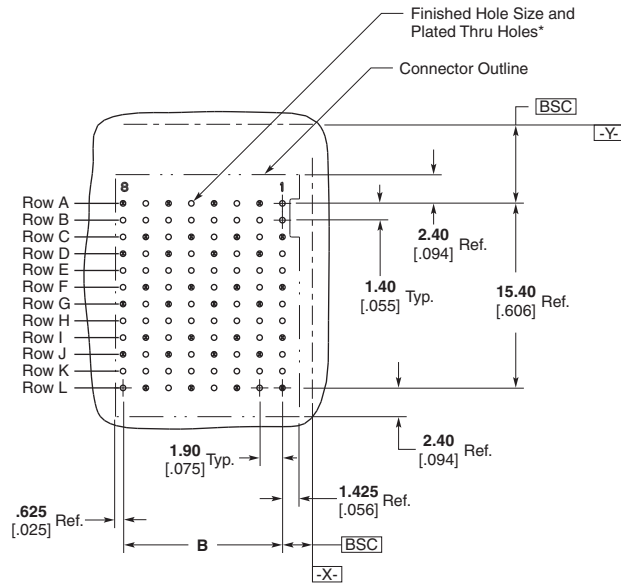
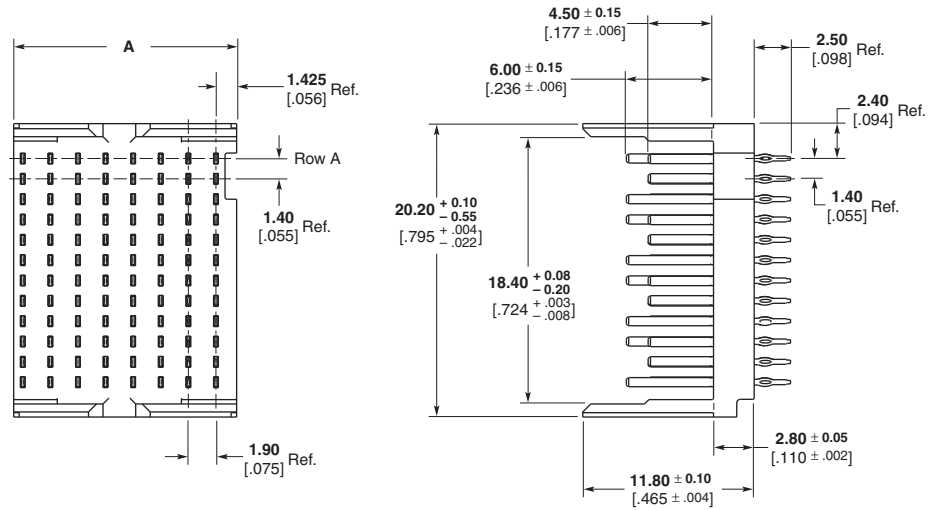
**Note:** For additional information on pcb routing guidelines, reference the Z-PACK TinMan Connector Routing Guide Report #27GC001-1.

\* Finished Hole Diameter =  $0.46 \pm 0.05$  [0.018 ± .002]  
 Drilled Hole Diameter =  $0.55 \pm 0.02$  [0.022 ± .001]  
 Copper Thickness =  $0.038 \pm 0.013$  [0.0015 ± .0005]  
 Tin-Lead Thickness =  $0.008 \pm 0.004$  [0.0003 ± .0002]  
 Finishes other than Tin-Lead, See Appl. Spec. 114-13202

### 4 Pair Vertical Header Assemblies

Column	Part Number	Dimension		Application Tooling*	Mates With
		A	B		
8	1934305-1	15.35 .604	13.30 .524	1-1804790-1	1934222-1
16	1934315-1	30.55 1.202	28.50 1.122	1-1804790-3	1934225-1

\* Reference Application Specification 114-13202.



Recommended PC Board Layout  
Backplane  
Component Side Shown

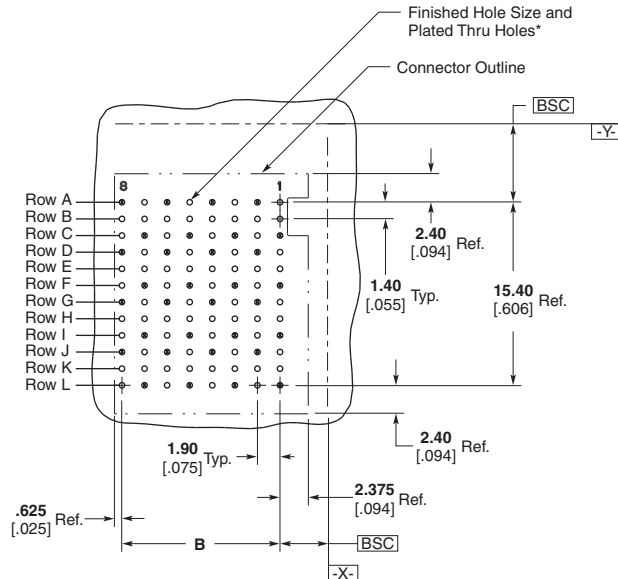
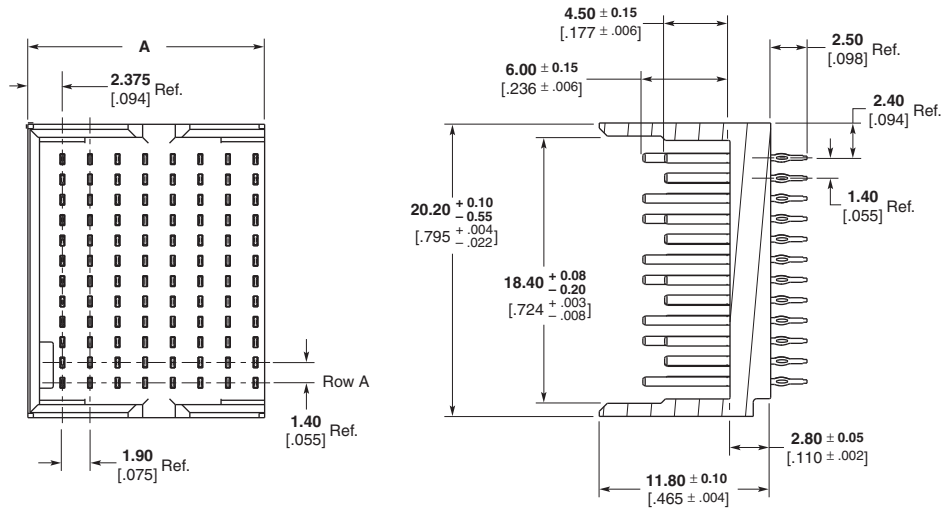
**Note:** For additional information on pcb routing guidelines, reference the Z-PACK TinMan Connector Routing Guide Report #27GC001-1.

\* Finished Hole Diameter =  $0.46 \pm 0.05$  [.018 ± .002]  
 Drilled Hole Diameter =  $0.55 \pm 0.02$  [.022 ± .001]  
 Copper Thickness =  $0.038 \pm 0.013$  [.0015 ± .0005]  
 Tin-Lead Thickness =  $0.008 \pm 0.004$  [.0003 ± .0002]  
 Finishes other than Tin-Lead, See Appl. Spec. 114-13202

### 4 Pair Vertical Header Assemblies — Left End Wall

Column	Part Number	Dimension		Application Tooling*	Mates With
		A	B		
8	1934303-1	17.00 .669	13.30 .524	1-1804790-1	1934222-1
16	1934317-1	31.50 1.240	28.50 1.122	1-1804790-3	1934225-1

\* Reference Application Specification 114-13202.



**Recommended PC Board Layout  
Backplane  
Component Side Shown**

**Note:** For additional information on pcb routing guidelines, reference the Z-PACK TinMan Connector Routing Guide Report #27GC001-1.

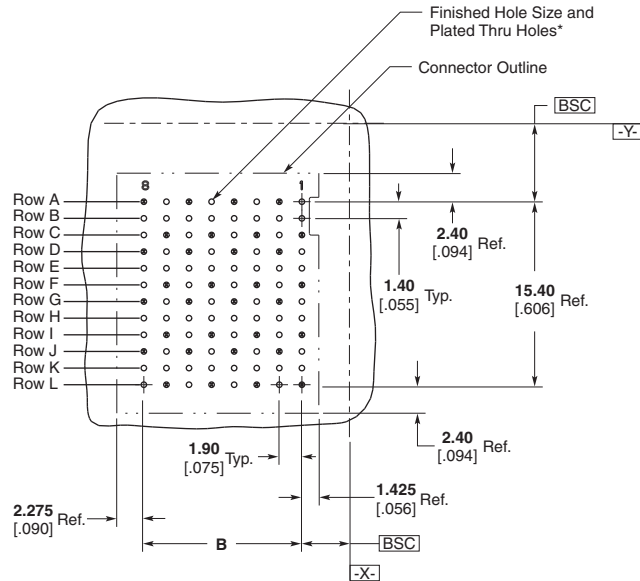
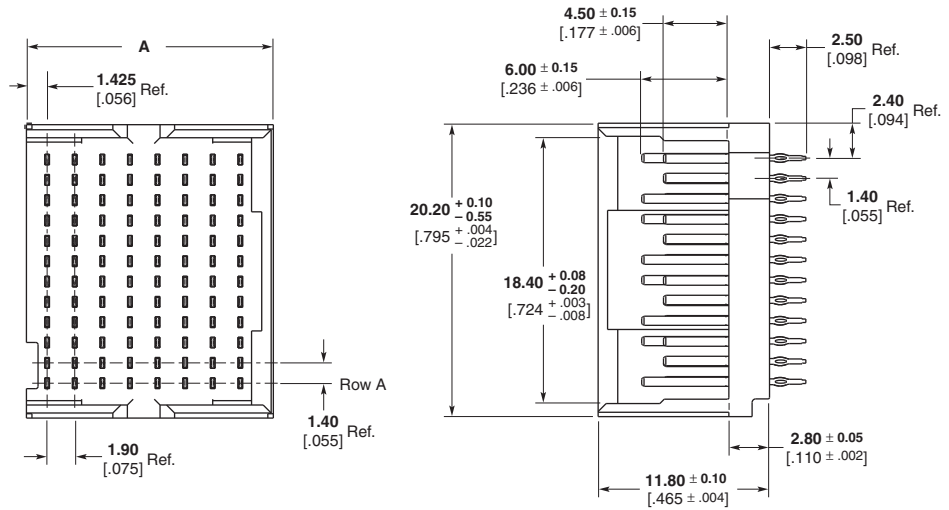
\* Finished Hole Diameter =  $0.46 \pm 0.05$  [0.18 ± .002]  
 Drilled Hole Diameter =  $0.55 \pm 0.02$  [0.22 ± .001]  
 Copper Thickness =  $0.038 \pm 0.013$  [0.015 ± .0005]  
 Tin-Lead Thickness =  $0.008 \pm 0.004$  [0.003 ± .0002]  
 Finishes other than Tin-Lead, See Appl. Spec. 114-13202



### 4 Pair Vertical Header Assemblies — Right End Wall

Column	Part Number	Dimension		Application Tooling*	Mates With
		A	B		
8	1934304-1	16.30 .642	13.30 .524	1-1804790-1	1934222-1
16	1934318-1	32.20 1.268	28.50 1.122	1-1804790-3	1934225-1

\* Reference Application Specification 114-13202.



Recommended PC Board Layout  
Backplane  
Component Side Shown

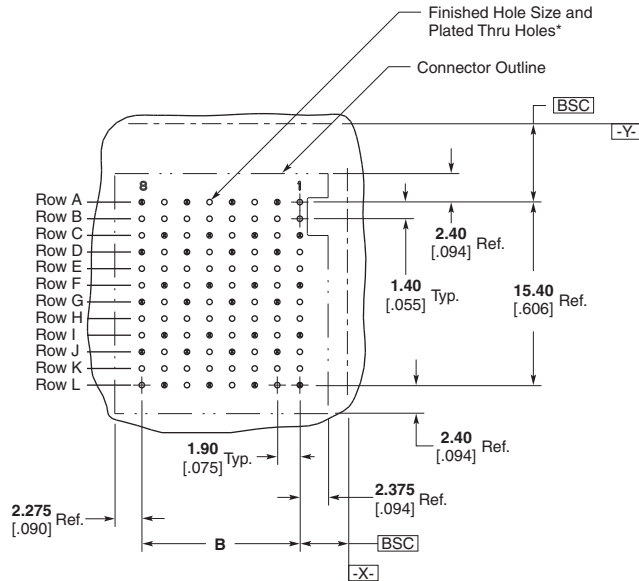
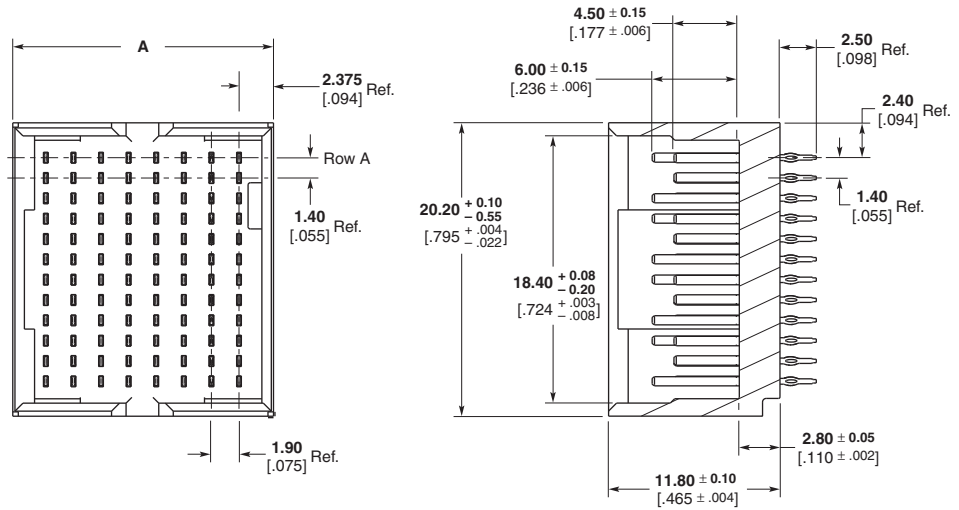
**Note:** For additional information on pcb routing guidelines, reference the Z-PACK TinMan Connector Routing Guide Report #27GC001-1.

\* Finished Hole Diameter =  $0.46 \pm 0.05$  [0.018 ± 0.002]  
 Drilled Hole Diameter =  $0.55 \pm 0.02$  [0.022 ± 0.001]  
 Copper Thickness =  $0.038 \pm 0.013$  [0.0015 ± 0.0005]  
 Tin-Lead Thickness =  $0.008 \pm 0.004$  [0.0003 ± 0.0002]  
 Finishes other than Tin-Lead, See Appl. Spec. 114-13202

**4 Pair Vertical Header Assemblies — Double End Walls**

Column	Part Number	Dimension		Application Tooling*	Mates With
		A	B		
8	1934306-1	17.95 .707	13.30 .524	1-1804790-1	1934222-1
16	1934316-1	33.15 1.305	28.50 1.122	1-1804790-3	1934225-1

\* Reference Application Specification 114-13202.



**Recommended PC Board Layout  
Backplane  
Component Side Shown**

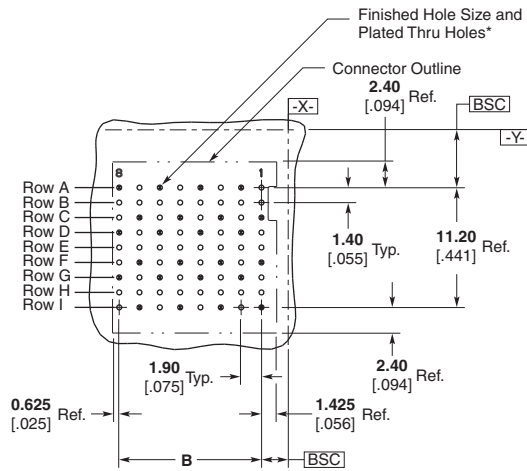
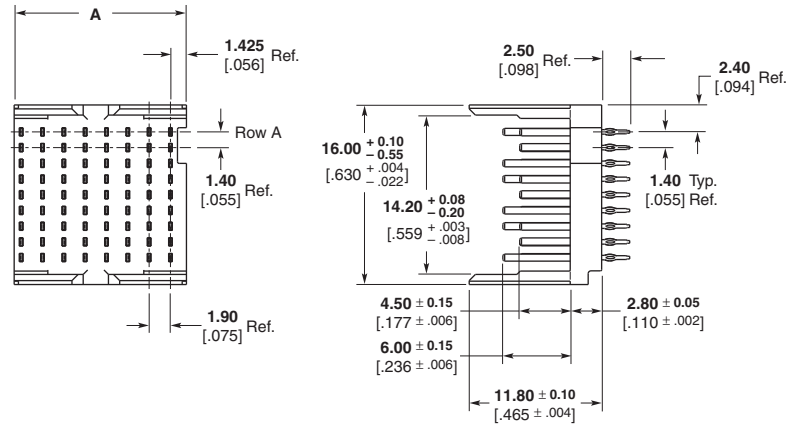
**Note:** For additional information on pcb routing guidelines, reference the Z-PACK TinMan Connector Routing Guide Report #27GC001-1.

\* Finished Hole Diameter =  $0.46 \pm 0.05$  [ $0.18 \pm .002$ ]  
 Drilled Hole Diameter =  $0.55 \pm 0.02$  [ $0.22 \pm .001$ ]  
 Copper Thickness =  $0.038 \pm 0.013$  [ $0.0015 \pm .0005$ ]  
 Tin-Lead Thickness =  $0.008 \pm 0.004$  [ $0.0003 \pm .0002$ ]  
 Finishes other than Tin-Lead, See Appl. Spec. 114-13202

### 3 Pair Vertical Header Assemblies

Column	Part Number	Dimension		Application Tooling*	Mates With
		A	B		
8	1934299-1	15.53 .611	13.30 .524	1-1901457-1	1934226-1
10	1934339-1	19.15 .754	17.10 .673	1-1901457-2	1934228-1
16	1934343-1	30.55 1.203	28.50 1.122	1-1901457-3	1934229-1

\* Reference Application Specification 114-13202.



Recommended PC Board Layout  
Component Side Shown

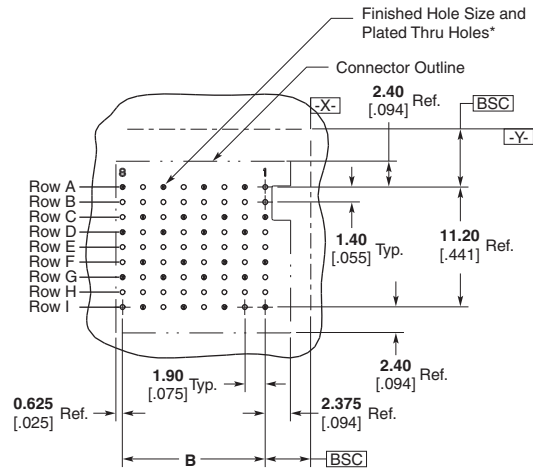
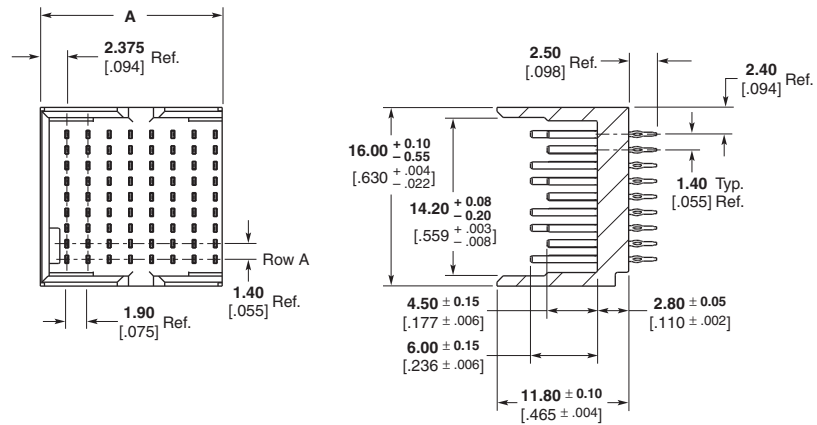
**Note:** For additional information on pcb routing guidelines, reference the Z-PACK TinMan Connector Routing Guide Report #27GC001-1.

\* Finished Hole Diameter =  $0.46 \pm 0.05$  [.018 ± .002]  
 Drilled Hole Diameter =  $0.55 \pm 0.02$  [.022 ± .001]  
 Copper Thickness =  $0.038 \pm 0.013$  [.0015 ± .0005]  
 Tin-Lead Thickness =  $0.008 \pm 0.004$  [.0003 ± .0002]  
 Finishes other than Tin-Lead, See Appl. Spec. 114-13202

### 3 Pair Vertical Header Assemblies — Left End Wall

Column	Part Number	Dimension		Application Tooling*	Mates With
		A	B		
8	1934300-1	16.30 .642	13.30 .524	1-1901457-1	1934226-1
10	1934340-1	20.10 .791	17.10 .673	1-1901457-2	1934228-1
16	1934344-1	31.50 1.240	28.50 1.122	1-1901457-3	1934229-1

\* Reference Application Specification 114-13202.



Recommended PC Board Layout  
Component Side Shown

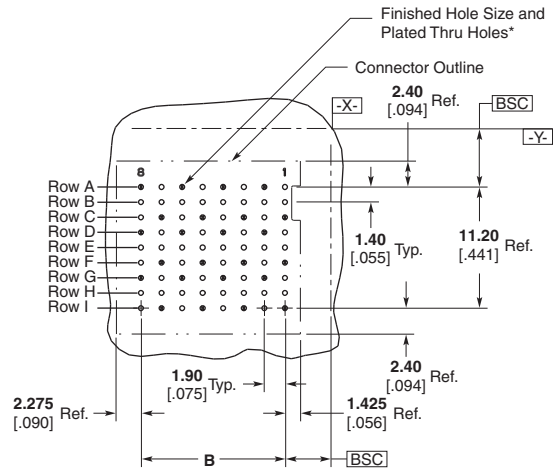
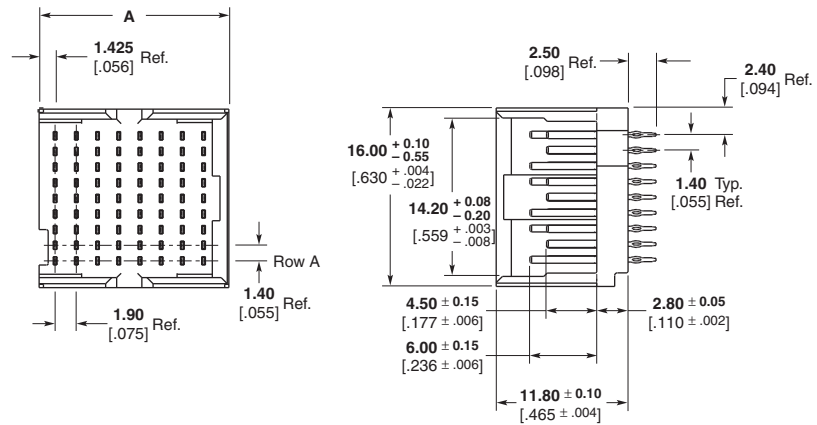
**Note:** For additional information on pcb routing guidelines, reference the Z-PACK TinMan Connector Routing Guide Report #27GC001-1.

\* Finished Hole Diameter =  $0.46 \pm 0.05$  [0.018 ± 0.002]  
 Drilled Hole Diameter =  $0.55 \pm 0.02$  [0.022 ± 0.001]  
 Copper Thickness =  $0.038 \pm 0.013$  [0.0015 ± 0.0005]  
 Tin-Lead Thickness =  $0.008 \pm 0.004$  [0.0003 ± 0.0002]  
 Finishes other than Tin-Lead, See Appl. Spec. 114-13202

### 3 Pair Vertical Header Assemblies — Right End Wall

Column	Part Number	Dimension		Application Tooling*	Mates With
		A	B		
8	1934301-1	17.00 .669	13.30 .524	1-1901457-1	1934226-1
10	1934341-1	20.08 .791	17.10 .673	1-1901457-2	1934228-1
16	1934345-1	32.20 1.268	28.50 1.122	1-1901457-3	1934229-1

\* Reference Application Specification 114-13202.



Recommended PC Board Layout  
Component Side Shown

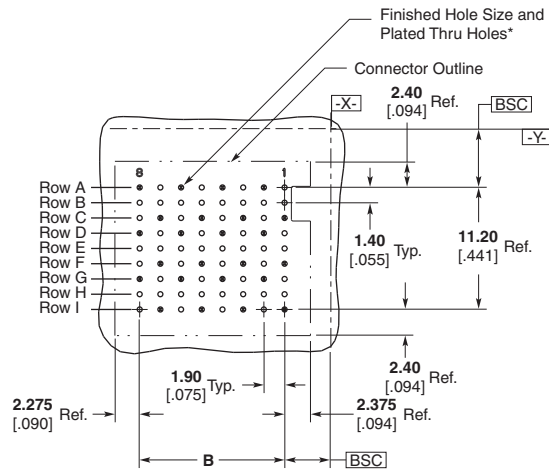
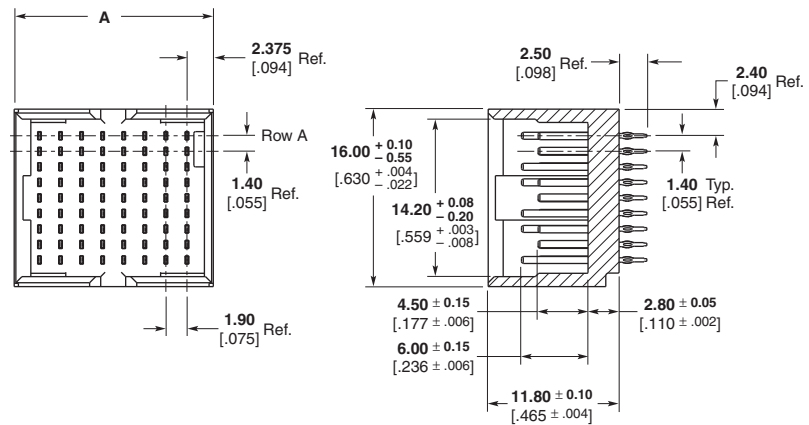
**Note:** For additional information on pcb routing guidelines, reference the Z-PACK TinMan Connector Routing Guide Report #27GC001-1.

\* Finished Hole Diameter =  $0.46 \pm 0.05$  [.018 ± .002]  
 Drilled Hole Diameter =  $0.55 \pm 0.02$  [.022 ± .001]  
 Copper Thickness =  $0.038 \pm 0.013$  [.0015 ± .0005]  
 Tin-Lead Thickness =  $0.008 \pm 0.004$  [.0003 ± .0002]  
 Finishes other than Tin-Lead, See Appl. Spec. 114-13202

### 3 Pair Vertical Header Assemblies — Double End Walls

Column	Part Number	Dimension		Application Tooling*	Mates With
		A	B		
8	1934302-1	17.95 .707	13.30 .524	1-1901457-1	1934226-1
10	1934342-1	21.75 .856	17.10 .673	1-1901457-2	1934228-1
16	1934346-1	33.15 1.305	28.50 1.122	1-1901457-3	1934229-1

\* Reference Application Specification 114-13202.



**Recommended PC Board Layout**  
**Component Side Shown**

**Note:** For additional information on pcb routing guidelines, reference the Z-PACK TinMan Connector Routing Guide Report #27GC001-1.

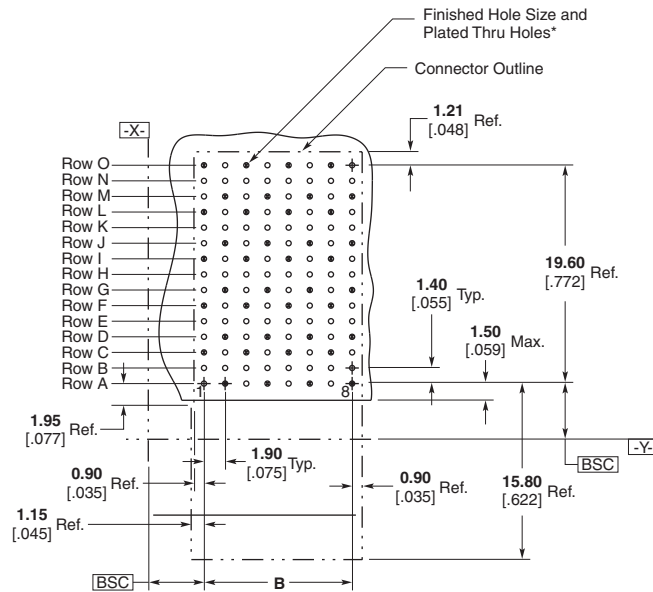
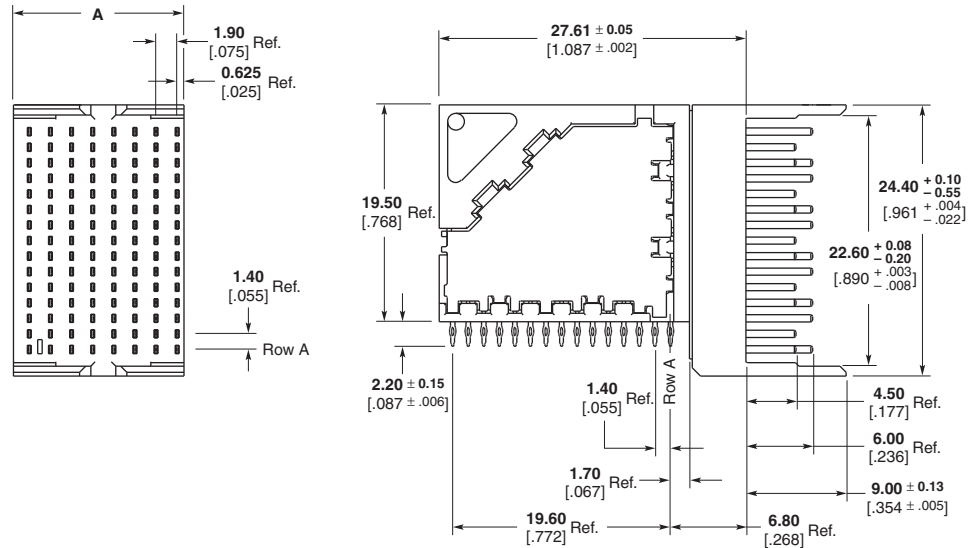
\* Finished Hole Diameter =  $0.46 \pm 0.05$  [0.018 ± 0.002]  
 Drilled Hole Diameter =  $0.55 \pm 0.02$  [0.022 ± 0.001]  
 Copper Thickness =  $0.038 \pm 0.013$  [0.0015 ± 0.0005]  
 Tin-Lead Thickness =  $0.008 \pm 0.004$  [0.0003 ± 0.0002]  
 Finishes other than Tin-Lead, See Appl. Spec. 114-13202



### 5 Pair Right Angle Pin Header Assemblies

Column	Part Number	Dimension		Application Tooling	Mates With
		A	B		
8	1934349-1	15.35 .604	13.30 .524	*	1934218-1
16	1934347-1	30.55 1.203	28.50 1.122	*	1934221-1

\* Custom tooling not required. Utilizes flat-rock insertion tooling.  
Reference Application Specification 114-13202.



Recommended PC Board Layout  
Component Side Shown

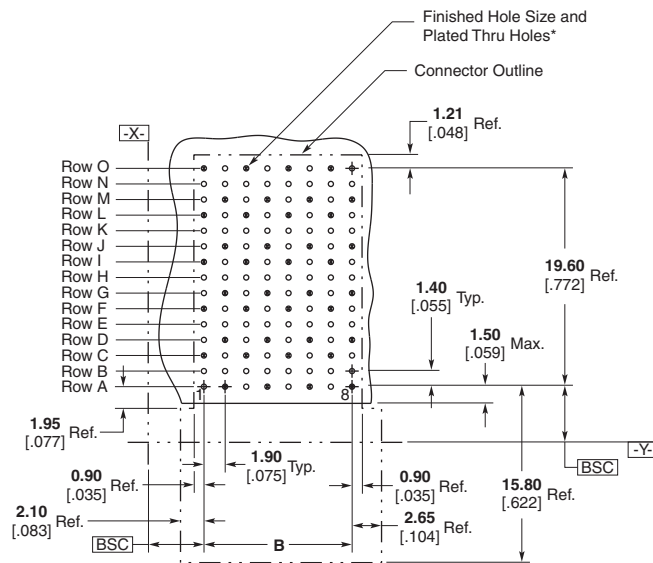
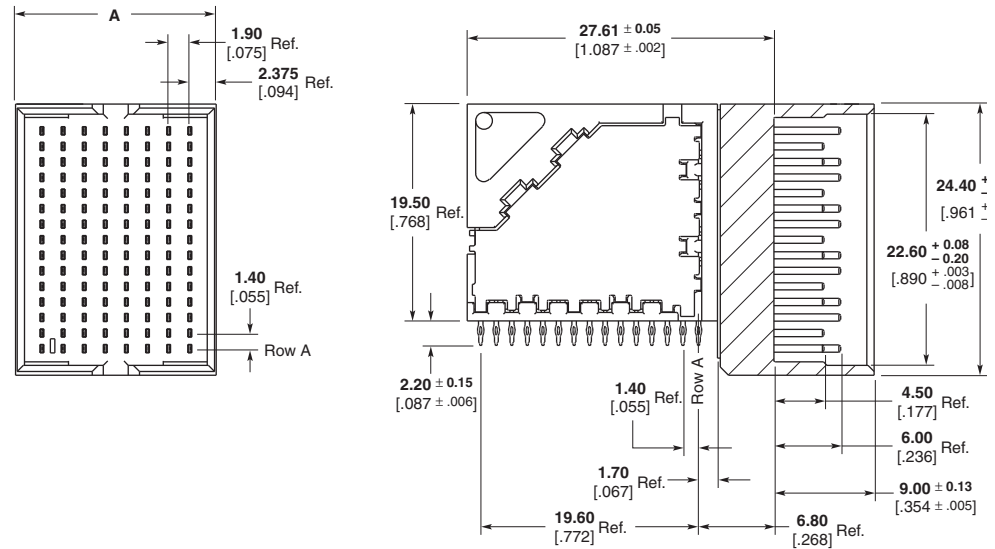
**Note:** For additional information on pcb routing guidelines, reference the Z-PACK TinMan Connector Routing Guide Report #27GC001-1.

\* Finished Hole Diameter =  $0.46 \pm 0.05$  [.018 ± .002]  
Drilled Hole Diameter =  $0.55 \pm 0.02$  [.022 ± .001]  
Copper Thickness =  $0.038 \pm 0.013$  [.0015 ± .0005]  
Tin-Lead Thickness =  $0.008 \pm 0.004$  [.0003 ± .0002]  
Finishes other than Tin-Lead, See Appl. Spec. 114-13202

## 5 Pair Right Angle Pin Header Assemblies — Double End Walls

Column	Part Number	Dimension		Application Tooling	Mates With
		A	B		
8	1934350-1	18.05 .711	13.30 .524	*	1934218-1
16	1934348-1	33.25 1.309	28.50 1.122	*	1934221-1

\* Custom tooling not required. Utilizes flat-rock insertion tooling.  
Reference Application Specification 114-13202.



Recommended PC Board Layout  
Component Side Shown

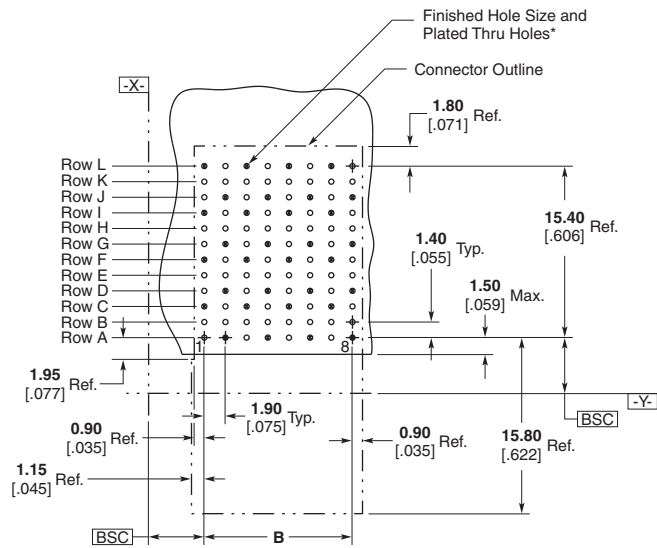
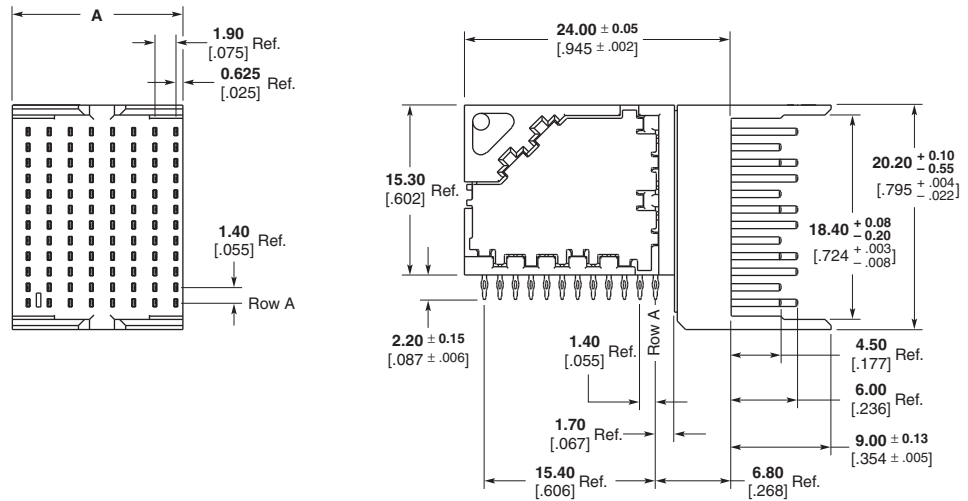
**Note:** For additional information on pcb routing guidelines, reference the Z-PACK TinMan Connector Routing Guide Report #27GC001-1.

\* Finished Hole Diameter =  $0.46 \pm 0.05$  [.018 ± .002]  
Drilled Hole Diameter =  $0.55 \pm 0.02$  [.022 ± .001]  
Copper Thickness =  $0.038 \pm 0.013$  [.0015 ± .0005]  
Tin-Lead Thickness =  $0.008 \pm 0.004$  [.0003 ± .0002]  
Finishes other than Tin-Lead, See Appl. Spec. 114-13202

### 4 Pair Right Angle Pin Header Assemblies

Column	Part Number	Dimension		Application Tooling	Mates With
		A	B		
8	1934353-1	15.35 .604	13.30 .524	*	1934222-1
16	1934351-1	30.55 1.203	28.50 1.122	*	1934225-1

\* Custom tooling not required. Utilizes flat-rock insertion tooling.  
Reference Application Specification 114-13202.



Recommended PC Board Layout  
Component Side Shown

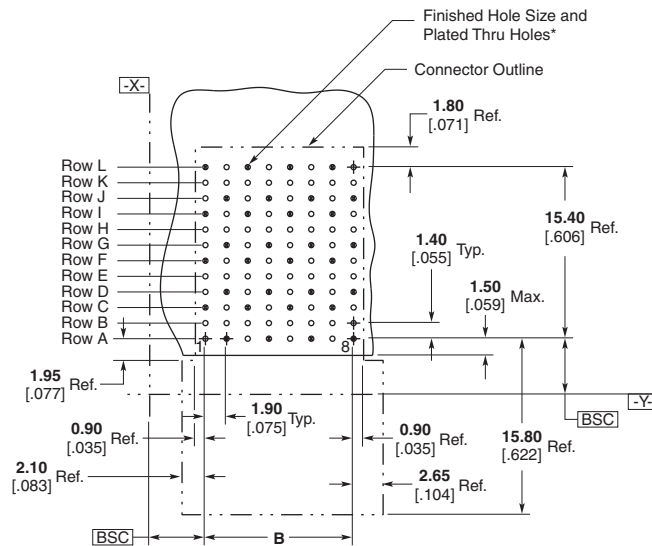
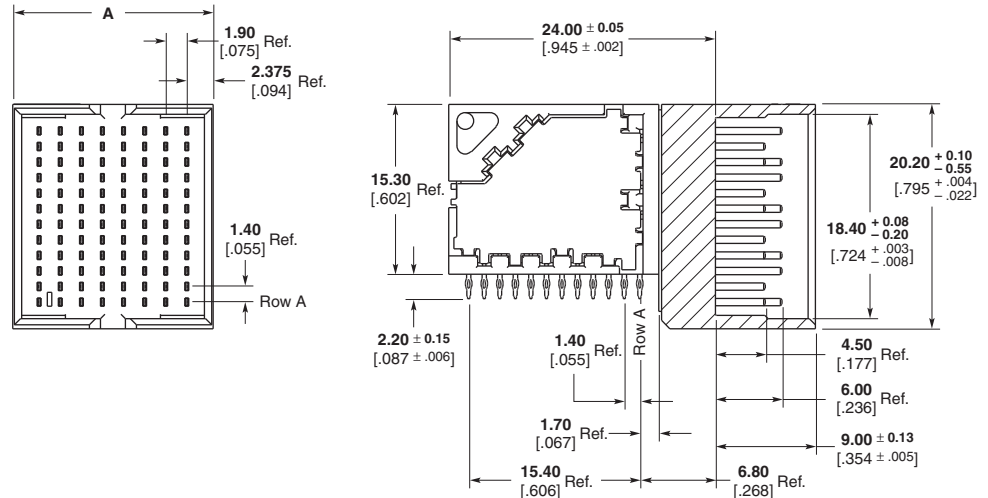
**Note:** For additional information on pcb routing guidelines, reference the Z-PACK TinMan Connector Routing Guide Report #27GC001-1.

\* Finished Hole Diameter =  $0.46 \pm 0.05$  [.018 ± .002]  
Drilled Hole Diameter =  $0.55 \pm 0.02$  [.022 ± .001]  
Copper Thickness =  $0.038 \pm 0.013$  [.0015 ± .0005]  
Tin-Lead Thickness =  $0.008 \pm 0.004$  [.0003 ± .0002]  
Finishes other than Tin-Lead, See Appl. Spec. 114-13202

### 4 Pair Right Angle Pin Header Assemblies — Double End Walls

Column	Part Number	Dimension		Application Tooling	Mates With
		A	B		
8	1934354-1	18.05 .711	13.30 .524	*	1934222-1
16	1934352-1	33.25 1.309	28.50 1.122	*	1934225-1

\* Custom tooling not required. Utilizes flat-rock insertion tooling.  
Reference Application Specification 114-13202.



**Recommended PC Board Layout  
Component Side View**

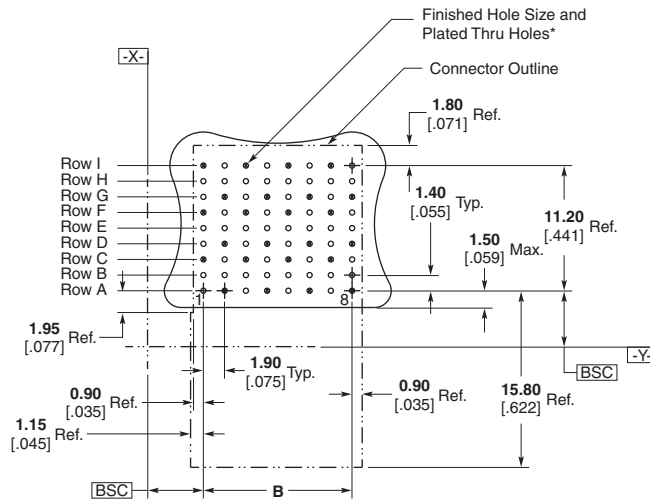
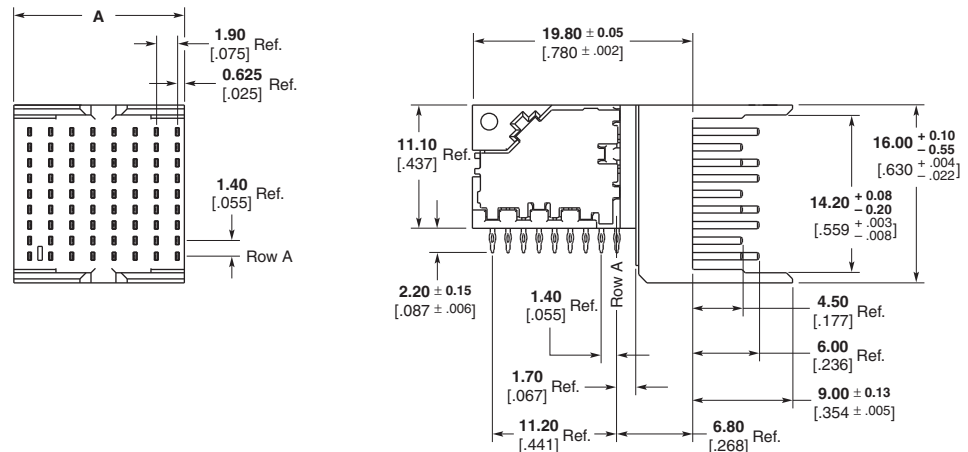
**Note:** For additional information on pcb routing guidelines, reference the Z-PACK TinMan Connector Routing Guide Report #27GC001-1.

\* Finished Hole Diameter =  $0.46 \pm 0.05$  [.018 ± .002]  
Drilled Hole Diameter =  $0.55 \pm 0.02$  [.022 ± .001]  
Copper Thickness =  $0.038 \pm 0.013$  [.0015 ± .0005]  
Tin-Lead Thickness =  $0.008 \pm 0.004$  [.0003 ± .0002]  
Finishes other than Tin-Lead, See Appl. Spec. 114-13202

### 3 Pair Right Angle Pin Header Assemblies

Column	Part Number	Dimension		Application Tooling	Mates With
		A	B		
8	1934359-1	15.35 .604	13.30 .524	*	1934226-1
10	1934357-1	19.15 .754	17.10 .673	*	1934228-1
16	1934355-1	30.55 1.203	28.50 1.122	*	1934229-1

\* Custom tooling not required. Utilizes flat-rock insertion tooling.  
Reference Application Specification 114-13202.



Recommended PC Board Layout  
Component Side Shown

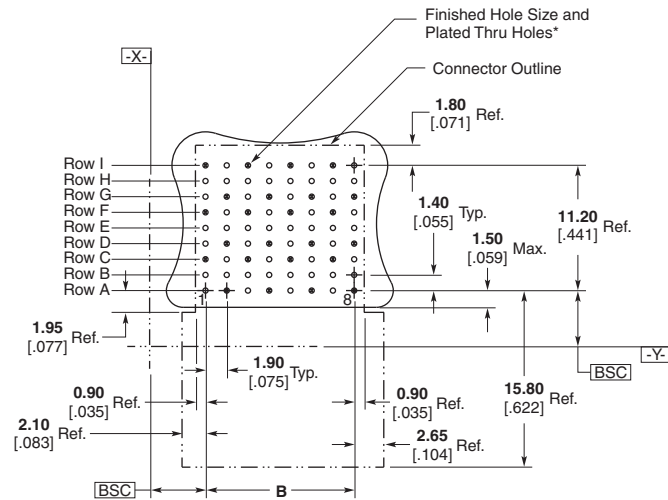
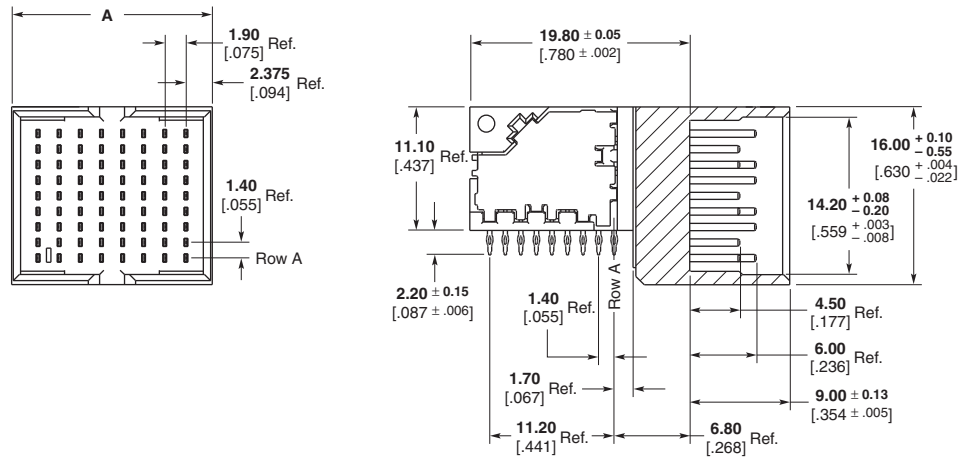
**Note:** For additional information on pcb routing guidelines, reference the Z-PACK TinMan Connector Routing Guide Report #27GC001-1.

\* Finished Hole Diameter =  $0.46 \pm 0.05$  [0.018 ± 0.002]  
 Drilled Hole Diameter =  $0.55 \pm 0.02$  [0.022 ± 0.001]  
 Copper Thickness =  $0.038 \pm 0.013$  [0.0015 ± 0.0005]  
 Tin-Lead Thickness =  $0.008 \pm 0.004$  [0.0003 ± 0.0002]  
 Finishes other than Tin-Lead, See Appl. Spec. 114-13202

### 3 Pair Right Angle Pin Header Assemblies — Double End Walls

Column	Part Number	Dimension		Application Tooling	Mates With
		A	B		
8	1934360-1	18.05 .711	13.30 .524	*	1934226-1
10	1934358-1	21.85 .860	17.10 .673	*	1934228-1
16	1934356-1	33.25 1.309	28.50 1.122	*	19343229-1

\* Custom tooling not required. Utilizes flat-rock insertion tooling.  
Reference Application Specification 114-13202.



Recommended PC Board Layout  
Component Side Shown

**Note:** For additional information on pcb routing guidelines, reference the Z-PACK TinMan Connector Routing Guide Report #27GC001-1.

\* Finished Hole Diameter =  $0.46 \pm 0.05$  [.018 ± .002]  
Drilled Hole Diameter =  $0.55 \pm 0.02$  [.022 ± .001]  
Copper Thickness =  $0.038 \pm 0.013$  [.0015 ± .0005]  
Tin-Lead Thickness =  $0.008 \pm 0.004$  [.0003 ± .0002]  
Finishes other than Tin-Lead, See Appl. Spec. 114-13202



## Z-PACK TinMan Mid-Plane (Orthogonal) Connector Overview

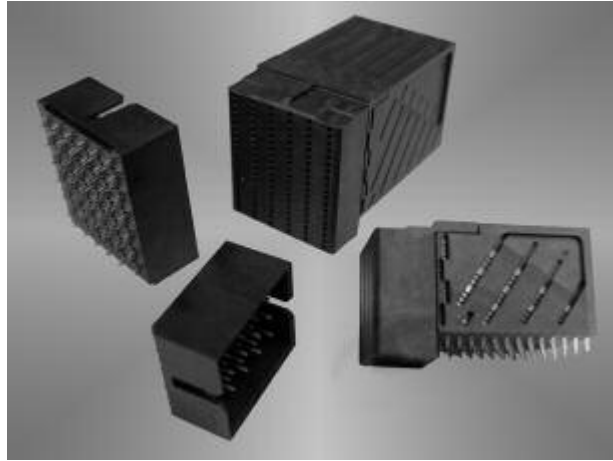
### Product Facts

- Scalable to 25 Gbps
- 100 ohm impedance for differential pair configuration
- Very low noise
- Outstanding insertion loss through 2 connectors and vias
- Skewless differential pair in a 2-connector system
- Utilizes the same header and receptacle part on both sides of the mid-plane
- Compatible with standard Z-PACK TinMan connectors and accessories
- 4 pair x 4 pair and 6 pair x 6 pair modules available
- Reliable, redundant contact design on all contacts
- Reliable press-fit style termination to PCB
- RoHS compliant

### Applications

The Z-PACK TinMan Mid-plane (orthogonal) connector is ideally designed for very demanding applications involving data rates in excess of 10 Gbps with many interconnections required. Such applications would include the following Telecom/Datacom equipment:

- Switches
- Servers
- Routers
- Storage



The Z-PACK TinMan mid-plane (orthogonal) connector is an extension of the Z-PACK TinMan connector product line, which includes perpendicular and coplanar interconnect solutions in 3 pair, 4 pair, and 5 pair versions.

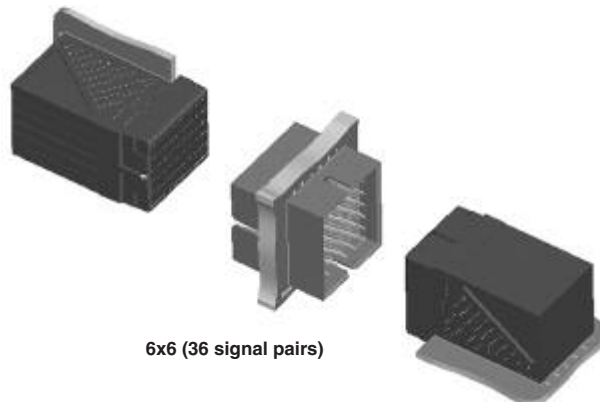
This connector system is commonly referred to as an orthogonal connector system due to the orthogonal (perpendicular) orientation of the two system boards being connected on the front and rear side. It is built on the same technology and design approach as standard Z-PACK TinMan connectors with the same mating interface and lead-frame geometry.

Superior electrical performance is achieved for several reasons. The front board to

rear board connection through the mid-plane makes the plated through hole (PTH) part of the signal transmission path eliminating the detrimental effects of via stubs. This construction also eliminates the need to route all the high speed signal lines along the backplane minimizing signal loss and significantly improving signal throughput. The wide column spacing establishes a connector footprint with improved impedance and reduced electrical noise. The in-line footprint version also provides ease of trace routing with wide channels and a connector interface compatible with the orthogonal receptacle. This permits the use of the same daughtercard in both mid-plane and backplane configurations.

The benefits are not limited to just signal integrity performance. The thinner mid-plane with fewer layers and significantly less complex routing is inherently less expensive. With trace routing typically limited to power distribution, low speed lines and potentially very few high speed links, the board can be fabricated from a cost effective material without the need to utilize techniques such as counter-boring or back-drilling.

All of this permits the implementation of small to large scale full mesh interconnects with significantly reduced complexity at a lower cost and with improved signal integrity.



6x6 (36 signal pairs)

For additional information visit:  
<http://www.tycoelectronics.com/zpacktinman>

**Z-PACK TinMan Mid-Plane (Orthogonal) Connector Overview** (Continued)

**Noise Table**

- Maximum, multiple source crosstalk

**Technical Documents**

Product Specification 108-2303

Application Specification 114-13202

Routing Guide Report #27GC002

**Material and Finish**

**Signal Contact** — High Strength Copper Alloy

**Ground Contact** — High Strength Copper Alloy

**Housing** — Liquid Crystal Polymer

**Platings** — Telcordia compliant interface, Nickel underplate

**Compliant Pin Plating** — RoHS Compliant

**Ratings**

**Temperature Range** — -65°C to +90°C

**Current Rating** — 0.5 A/contact @ < 30°C T-Rise

**Durability** — 200 cycles

**Dielectric Withstanding Voltage** — 560 VAC

**Operating Voltage** — 250 VAC max.

**Signal Integrity**

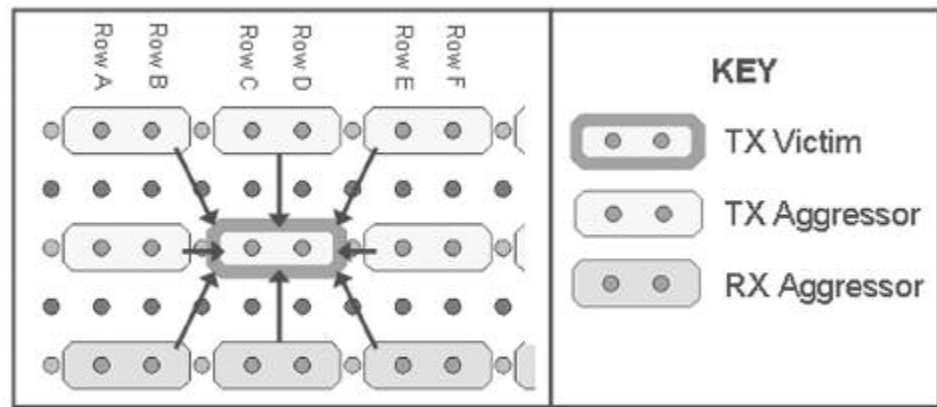
**Characteristic Impedance** — Differential @ 100 ohms ±10%

**Crosstalk** — Multi-pair differential crosstalk: 1.0% @ 50ps

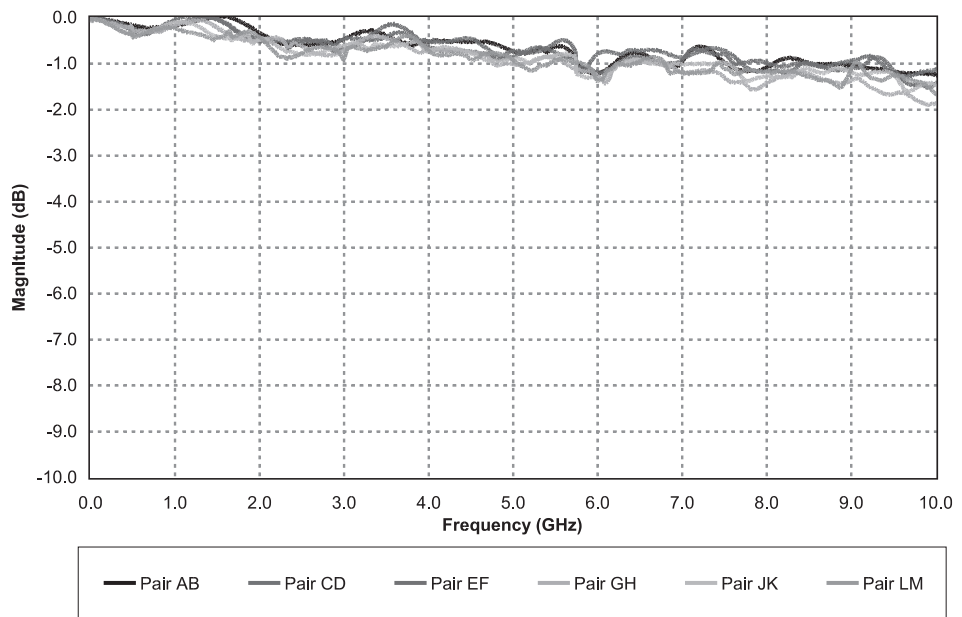
**Insertion Loss** — -2 dB @ 10 GHz

VICTIM	Total Peak Receiver Noise for Recommended Pin-Out
AB3	0.50%
CD3	1.00%
EF3	0.90%
GH3	0.80%
JK3	0.90%
LM3	0.60%

**Note:** Data includes PCB vias of both backplane and daughtercard connectors. Single mated connector pair. 50 ps (20-80%) edge rate.



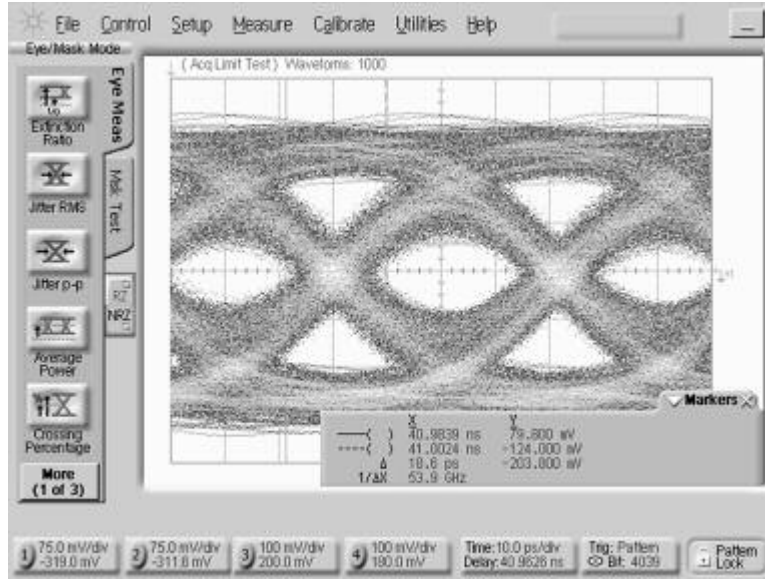
**Insertion Loss Plot**



**Z-PACK TinMan Mid-Plane (Orthogonal) Connector Overview** (Continued)

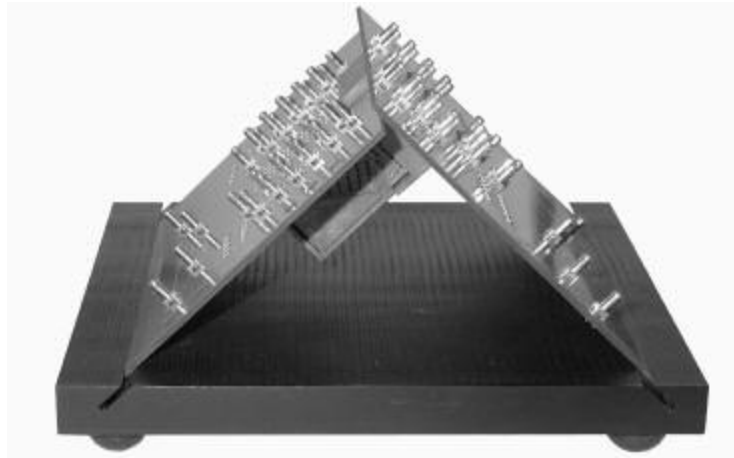
**Representative Eye Pattern**

- 10.0 Gbps data rate
- 2' -1 PRBS
- Unequalized Signal



**Customer Connector  
Evaluation Kit**

- Connector characterization
- Available for loan — contact your local Tyco Electronics Sales Engineer
- Time and frequency domain testable
- Testable to 18+ GHz (25+ Gb/s)
- Multiple calibration options
- Convenient SMA interface



**Customer System  
Evaluation Kit**

- System characterization
- Available for loan — contact your local Tyco Electronics Sales Engineer
- Time and frequency domain testable
- Testable to 18+ GHz (25+ Gb/s)
- Multiple calibration options
- Convenient SMA interface



**6 Pair Mid-Plane Assemblies**

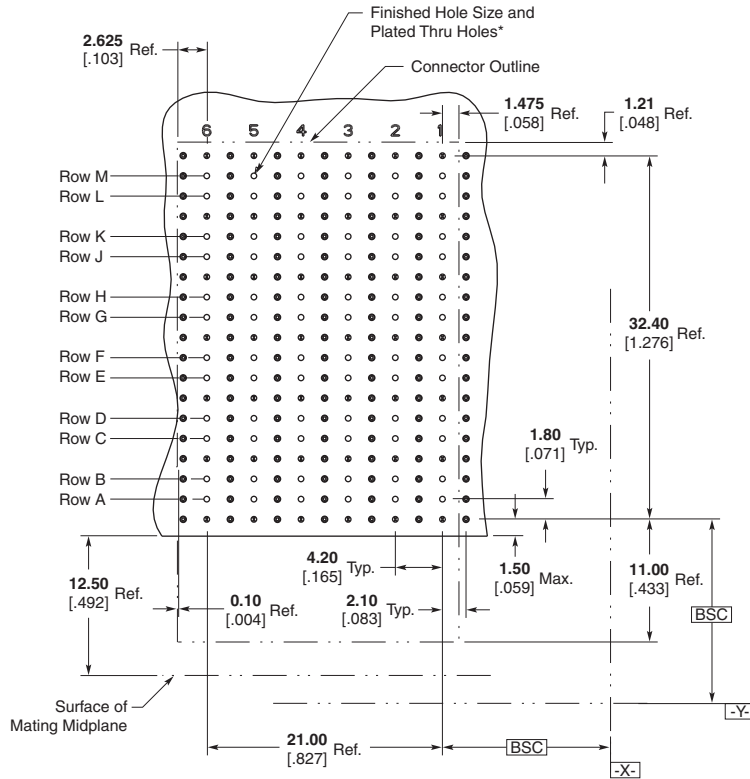
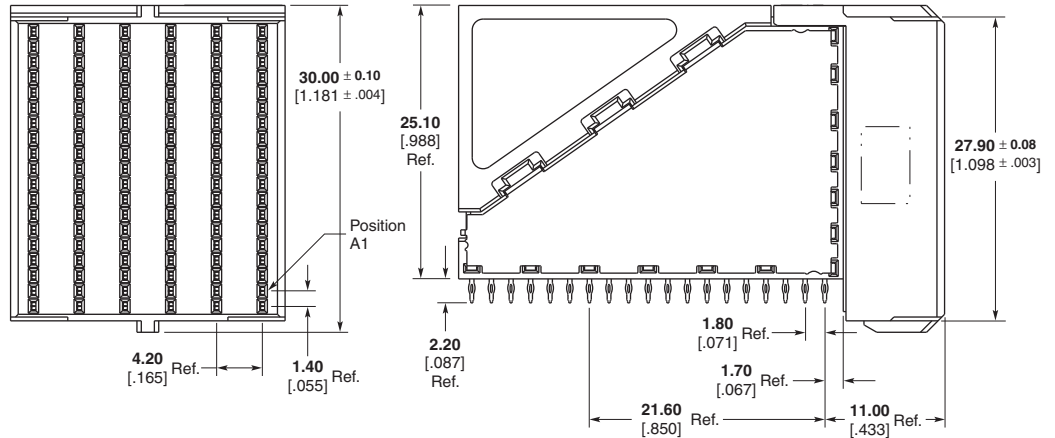
**6 Pair Right Angle  
Receptacle Assembly**

Part Number: 1934231-1

Custom tooling not required.  
Utilizes flat-rock insertion  
tooling.

Reference Application  
Specification  
114-13202

Mates with: 1934364-1,  
1934363-1



**Recommended PC Board Layout  
Component Side Shown**

**Note:** For additional information on pcb routing guidelines, reference the Z-PACK TinMan Connector Routing Guide Report #27GC002.

\* Finished Hole Diameter =  $0.46 \pm 0.05$  [0.018 ± .002]  
 Drilled Hole Diameter =  $0.55 \pm 0.02$  [0.022 ± .001]  
 Copper Thickness =  $0.038 \pm 0.013$  [0.0015 ± .0005]  
 Tin-Lead Thickness =  $0.008 \pm 0.004$  [0.0003 ± .0002]  
 Finishes other than Tin-Lead, See Appl. Spec. 114-13202

**6 Pair Mid-Plane Assemblies** (Continued)

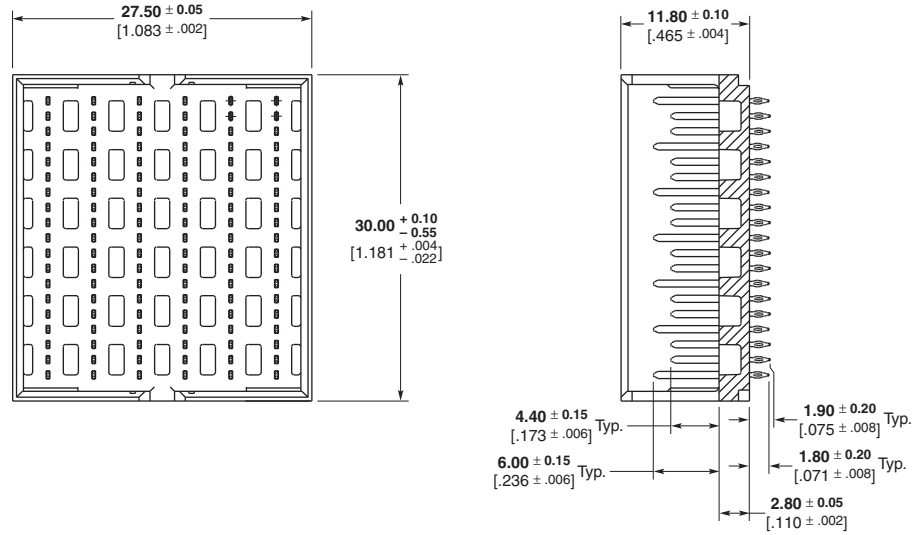
**6 Pair Vertical Header Assembly**

Part Number: 1934364-1

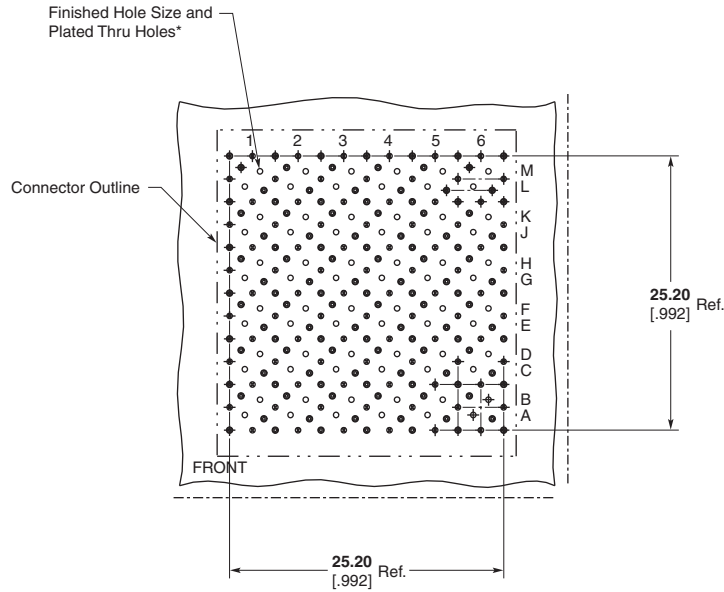
Insertion Tooling:  
Contact Tyco Electronics

Reference Application  
Specification 114-13202

Mates with: 1934231-1



Footprint shown for reference only. Contact Tyco Electronics engineering for details.



**Recommended PC Board Layout**  
Component Side Shown

**Note:** For additional information on pcb routing guidelines, reference the Z-PACK TinMan Connector Routing Guide Report #27GC002.

\* Finished Hole Diameter =  $0.46 \pm 0.05$  [.018 ± .002]  
 Drilled Hole Diameter =  $0.55 \pm 0.02$  [.022 ± .001]  
 Copper Thickness =  $0.038 \pm 0.013$  [.0015 ± .0005]  
 Tin-Lead Thickness =  $0.008 \pm 0.004$  [.0003 ± .0002]  
 Finishes other than Tin-Lead, See Appl. Spec. 114-13202

**6 Pair Mid-Plane Assemblies (Continued)**

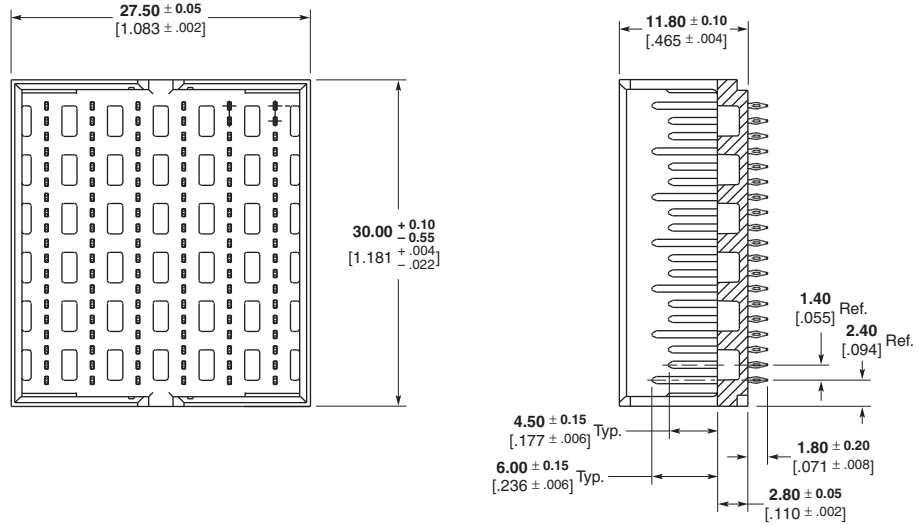
**6 Pair Vertical Header Assembly — In Line Footprint**

Part Number: 1934363-1

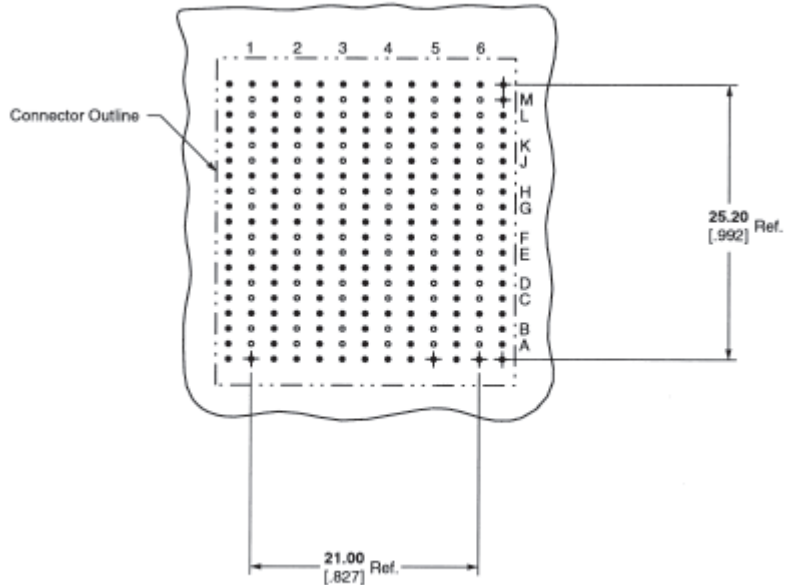
Insertion Tooling:  
Contact Tyco Electronics

Reference Application  
Specification 114-13202

Mates with: 1934231-1



Footprint shown for reference only. Contact Tyco Electronics engineering for details.



**Recommended PC Board Layout  
Component Side Shown**

**Note:** For additional information on pcb routing guidelines, reference the Z-PACK TinMan Connector Routing Guide Report #27GC002.

\* Finished Hole Diameter =  $0.46 \pm 0.05$  [.018 ± .002]  
 Drilled Hole Diameter =  $0.55 \pm 0.02$  [.022 ± .001]  
 Copper Thickness =  $0.038 \pm 0.013$  [.0015 ± .0005]  
 Tin-Lead Thickness =  $0.008 \pm 0.004$  [.0003 ± .0002]  
 Finishes other than Tin-Lead, See Appl. Spec. 114-13202



### 4 Pair Mid-Plane Assemblies

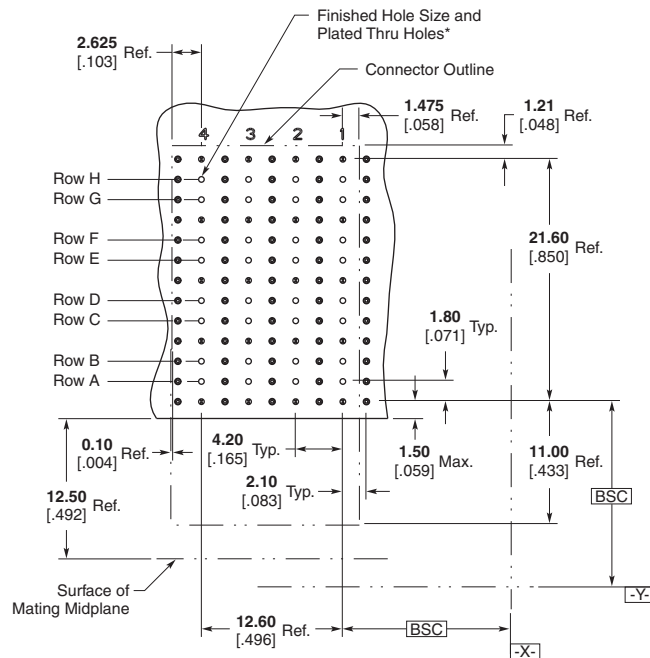
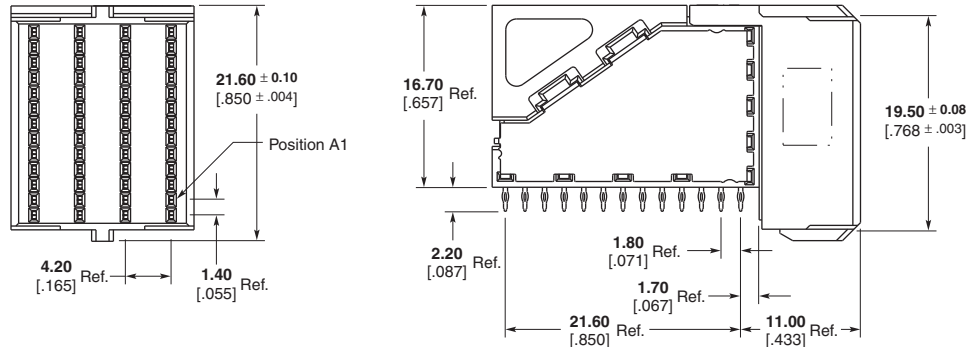
#### 4 Pair Right Angle Receptacle Assembly

Part Number: 1934230-1

Custom tooling not required. Utilizes flat-rock insertion tooling.

Reference Application Specification 114-13202

Mates with: 1934362-1, 1934361-1



**Recommended PC Board Layout**  
Component Side Shown

**Note:** For additional information on pcb routing guidelines, reference the Z-PACK TinMan Connector Routing Guide Report #27GC002.

\* Finished Hole Diameter =  $0.46 \pm 0.05$  [0.018 ± .002]  
Drilled Hole Diameter =  $0.55 \pm 0.02$  [0.022 ± .001]  
Copper Thickness =  $0.038 \pm 0.013$  [0.0015 ± .0005]  
Tin-Lead Thickness =  $0.008 \pm 0.004$  [0.0003 ± .0002]  
Finishes other than Tin-Lead, See Appl. Spec. 114-13202

**4 Pair Mid-Plane Assemblies** (Continued)

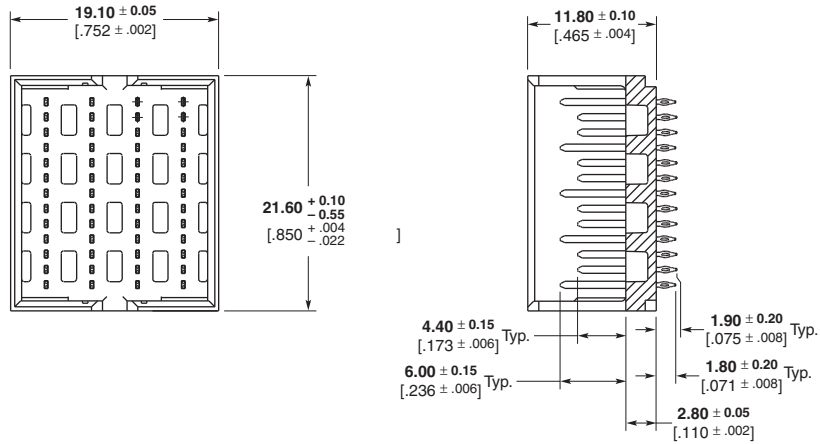
**4 Pair Vertical Header Assembly**

Part Number: 1934362-1

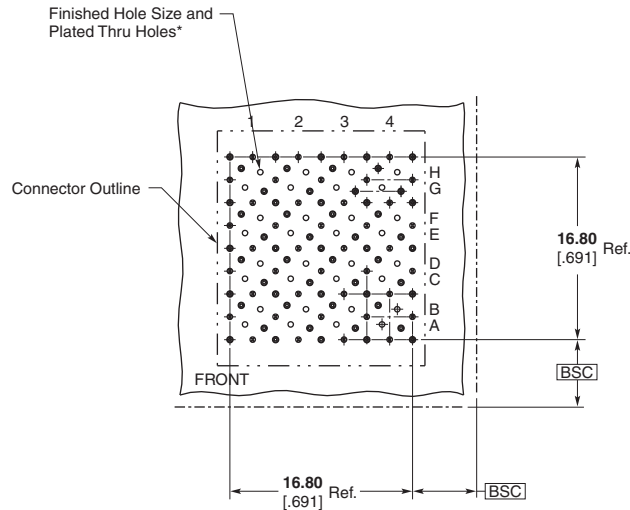
Insertion Tooling:  
Contact Tyco Electronics

Reference Application  
Specification 114-13202

Mates with: 1934230-1



Footprint shown for reference only. Contact Tyco Electronics engineering for details.



**Recommended PC Board Layout  
Component Side Shown**

**Note:** For additional information on pcb routing guidelines, reference the Z-PACK TinMan Connector Routing Guide Report #27GC002.

\* Finished Hole Diameter =  $0.46 \pm 0.05$  [0.018 ± .002]  
 Drilled Hole Diameter =  $0.55 \pm 0.02$  [0.022 ± .001]  
 Copper Thickness =  $0.038 \pm 0.013$  [0.0015 ± .0005]  
 Tin-Lead Thickness =  $0.008 \pm 0.004$  [0.0003 ± .0002]  
 Finishes other than Tin-Lead, See Appl. Spec. 114-13202

**4 Pair Mid-Plane Assemblies** (Continued)

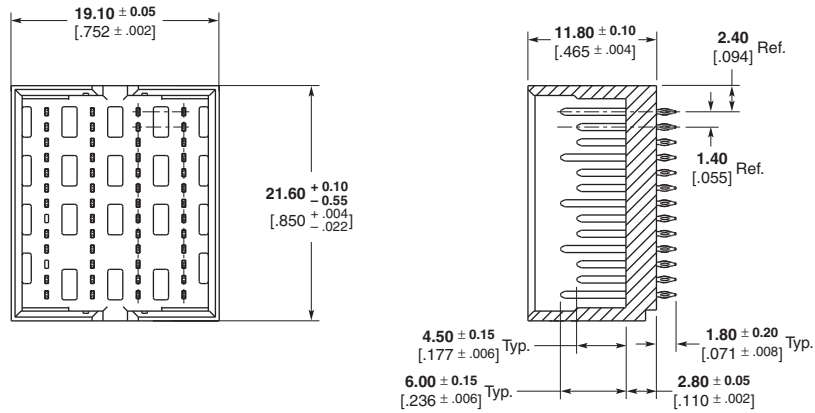
**4 Pair Vertical Header Assembly — In Line Footprint**

Part Number: 1934361-1

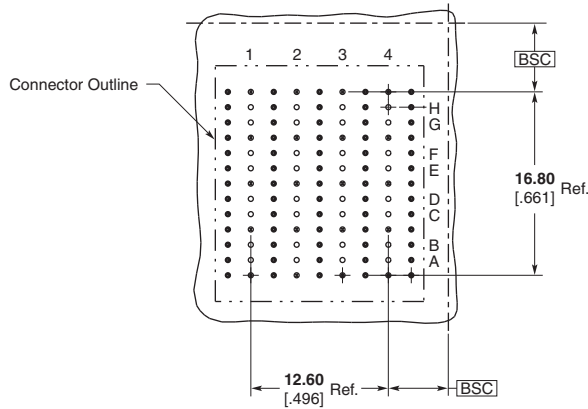
Insertion Tooling:  
Contact Tyco Electronics

Reference Application  
Specification 114-13202

Mates with: 1934230-1



Footprint shown for reference only. Contact Tyco Electronics engineering for details.



**Recommended PC Board Layout  
Component Side Shown**

**Note:** For additional information on pcb routing guidelines, reference the Z-PACK TinMan Connector Routing Guide Report #27GC002.

\* Finished Hole Diameter =  $0.46 \pm 0.05$  [0.018 ± .002]  
 Drilled Hole Diameter =  $0.55 \pm 0.02$  [0.022 ± .001]  
 Copper Thickness =  $0.038 \pm 0.013$  [0.0015 ± .0005]  
 Tin-Lead Thickness =  $0.008 \pm 0.004$  [0.0003 ± .0002]  
 Finishes other than Tin-Lead, See Appl. Spec. 114-13202

### Z-PACK TinMan Product Mating Sequence Chart



Product Family	Dim. C	Dim. A Fully Mated	Contact	Dim. B.		Fully Mated Wipe Length
				Reliable Mate	First Mate Last Break	
Z-PACK HM-Zd Product	1.50 .059	12.50 .492	Ground Shield	16.78 [.661]	17.55 [.691]	4.28 [.169]
			Signal Level 2	15.41 [.607]	15.85 [.624]	2.91 [.115]
			Signal Level 1	13.91 [.548]	14.35 [.565]	1.41 [.056]
Z-PACK HM-Zd Guide Hardware	3.00 .118	12.50 .492	24.0 mm Pin	27.50 [1.083]	33.40 [1.315]	N/A
			22.2 mm Pin	25.70 [1.012]	31.60 [1.244]	N/A
			Key Blocking Point	N/A	22.03 [.867]	N/A
			Ground Pins	16.44 [.647]	17.13 [.674]	3.94 [.155]
Z-PACK TinMan Product	1.50 .059	12.50 .492	Signal Level 2	14.94 [.588]	15.63 [.615]	2.44 [.096]
			Signal Level 1	N/A	N/A	N/A
			Signal Level 3	18.27 [.719]	18.84 [.742]	5.77 [.227]
Z-PACK 2mm HM Product	1.50 .059	12.50 .492	Signal Level 2	16.77 [.660]	17.34 [.683]	4.27 [.168]
			Signal Level 1	15.27 [.601]	15.84 [.624]	2.77 [.109]
			Ground	18.00 [.709]	—	5.50 [.217]
MULTIGIG RT T1 Product	2.50 .098	12.50 .492	Signal Level 3	18.00 [.709]	—	5.50 [.217]
			Signal Level 2	16.50 [.650]	—	4.00 [.157]
			Signal Level 1	15.00 [.591]	—	2.50 [.098]
MULTIGIG RT T2 Product	2.25 .089	12.50 .492	Ground	18.00 [.709]	—	5.50 [.217]
			Signal Level 3	18.00 [.709]	—	5.50 [.217]
			Signal Level 2	16.50 [.650]	—	4.00 [.157]
MULTIGIG RT T3 Product	2.25 .089	12.50 .492	Signal Level 1	15.00 [.591]	—	2.50 [.098]
			Ground	16.50 [.650]	—	4.00 [.157]
			Signal Level 3	15.00 [.591]	—	2.50 [.098]
MULTIGIG RT Power Module	5.50 .217	12.50 .492	Power Level 3	23.75 [.935]	—	11.25 [.443]
			Power Level 2	22.25 [.876]	—	9.75 [.384]
			Power Level 1	20.75 [.817]	—	8.25 [.325]
MULTIGIG RT Guide Hardware	N/A	12.50 .492	Guide Pin Key	33.25 [1.309]	N/A	20.75 [.817]
			Guide ESD Contact	30.75 [1.211]	—	18.25 [.719]
			Ground	17.08 [.672]	17.60 [.693]	4.78 [.188]
Z-PACK HS3 Product	1.50 .059	12.50 .492	Signal Level 2	16.05 [.632]	16.47 [.648]	3.75 [.148]
			Signal Level 1	14.55 [.573]	14.97 [.589]	2.25 [.089]
			Power Level 3	20.25 [.797]	20.95 [.825]	8.10 [.319]
UPM	3.50 .138	12.50 .492	Power Level 2	18.65 [.734]	19.35 [.762]	6.50 [.256]
			Power Level 1	17.03 [.670]	17.73 [.698]	4.88 [.192]
			Guide Pin Key	31.39 [1.236]	36.16 [1.424]	N/A
UPM Guide Hardware	5.75 .226	12.50 .492	Keyed Guide Pin	31.39 [1.236]	36.16 [1.424]	N/A
			Keyed Guide Pin	35.23 [1.387]	40.00 [1.575]	N/A
			PreMate Power — Level 1	—	16.84 [.663]	5.61 [.221] Min.
MULTI-BEAM XL Right Angle Header to Vertical Receptacle	5.08 .200	14.73 .580	PostMate Power — Level 2	—	17.81 [.701]	4.34 [.171] Min.
			PreMate Signal — Level 2	—	18.26 [.719]	3.81 [.150] Min.
			PostMate Signal — Level 3	—	19.53 [.769]	2.54 [.100] Min.
			PreMate Power — Level 1	—	15.32 [.603]	5.61 [.221] Min.
MULTI-BEAM XL Right Angle Receptacle to Vertical Header	3.81 .150	13.21 .520	PostMate Power — Level 2	—	16.28 [.641]	4.34 [.171] Min.
			PreMate Signal — Level 2	—	16.74 [.659]	3.81 [.150] Min.
			PostMate Signal — Level 3	—	18.01 [.709]	2.54 [.100] Min.
			PreMate Power — Level 1	—	15.32 [.603]	5.61 [.221] Min.

## Z-PACK MAX Connector to Z-PACK TinMan Connector Base Part Number Cross Reference\*

Z-PACK MAX Connector Base Part Number	Z-PACK TinMan Connector Base Part Number	Description
1469659	1934218	Receptacle Assembly, 5 pair, Standard, 8 Column
1469660	1934269	Header Assembly, Open Ended, 5 Pair 8 Column
1469680	1934272	Header Assembly, Left Wall, 5 Pair 8 Column
1469680	1934273	Header Assembly, Right Wall, 5 Pair 8 Column
1469681	1934271	Header Assembly, Double Wall, 5 Pair 8 Column
1469687	1934315	Header Assembly, Open Ended, 4 Pair 16 Column
1469693	1934225	Receptacle Assembly, 4 pair, Standard, 16 Column
1469702	1934303	Header Assembly, Left Wall, 4 Pair 8 Column
1469702	1934304	Header Assembly, Right Wall, 4 Pair 8 Column
1469703	1934317	Header Assembly, Left Wall, 4 Pair 16 Column
1469703	1934318	Header Assembly, Right Wall, 4 Pair 16 Column
1469706	1934306	Header Assembly, Double Wall, 4 Pair 8 Column
1469707	1934316	Header Assembly, Double Wall, 4 Pair 16 Column
1469716	1934305	Header Assembly, Open Ended, 4 Pair 8 Column
1469717	1934222	Receptacle Assembly, 4 pair, Standard, 8 Column
1469735	1934349	Right Angle Header Assembly, Open Ended, 5 Pair 8 Column
1469737	1934350	Right Angle Header Assembly, Double Wall, 5 Pair 8 Column
1469753	1934331	Header Assembly, Open Ended, 5 Pair 16 Column
1469754	1934221	Receptacle Assembly, 5 pair, Standard, 16 Column
1469755	1934333	Header Assembly, Left Wall, 5 Pair 16 Column
1469755	1934334	Header Assembly, Right Wall, 5 Pair 16 Column
1469756	1934332	Header Assembly, Double Wall, 5 Pair 16 Column
1469768	1934305	Header Assembly, Open Ended, 4 Pair 8 Column
1469769	1934222	Receptacle Assembly, 4 pair, Standard, 8 Column
1469774	1934311	Header Assembly, Open Ended, 4 Pair 10 Column
1469775	1934224	Receptacle Assembly, 4 pair, Standard, 10 Column
1469784	1934362	4x4 Orthogonal Offset Header Assembly, Double Wall
1469785	1934230	Receptacle Assembly, 4x4, Orthogonal
1469786	1934364	6x6 Orthogonal Offset Header Assembly, Double Wall
1469787	1934231	Receptacle Assembly, 6x6, Orthogonal
1469788	1934311	Header Assembly, Open Ended, 4 Pair 10 Column
1469789	1934224	Receptacle Assembly, 4 pair, Standard, 10 Column
1469793	1934353	Right Angle Header Assembly, Open Ended, 4 Pair 8 Column
1469795	1934354	Right Angle Header Assembly, Double Wall, 4 Pair 8 Column
1469807	1934339	Header Assembly, Open Ended, 3 Pair 10 Column
1469809	1934228	Receptacle Assembly, 3 pair, Standard, 10 Column
1469827	1934339	Header Assembly, Open Ended, 3 Pair 10 Column
1469828	1934228	Receptacle Assembly, 3 pair, Standard, 10 Column
1469829	1934299	Header Assembly, Open Ended, 3 Pair 8 Column
1469831	1934226	Receptacle Assembly, 3 pair, Standard, 8 Column
1469853	1934335	Header Assembly, Open Ended, 3 Pair 6 Column
1469854	1934227	Receptacle Assembly, 3 pair, Standard, 6 Column
1469867	1934340	Header Assembly, Left Wall, 3 Pair 10 Column
1469867	1934341	Header Assembly, Right Wall, 3 Pair 10 Column
1469871	1934357	Right Angle Header Assembly, Open Ended, 3 Pair 10 Column
1469874	1934358	Right Angle Header Assembly, Double Wall, 3 Pair 10 Column
1469935	1934342	Header Assembly, Double Wall, 3 Pair 10 Column
1469945	1934300	Header Assembly, Left Wall, 3 Pair 8 Column
1469945	1934301	Header Assembly, Right Wall, 3 Pair 8 Column
1469946	1934302	Header Assembly, Double Wall, 3 Pair 8 Column
1469949	1934343	Header Assembly, Open Ended, 3 Pair 16 Column
1469950	1934344	Header Assembly, Left Wall, 3 Pair 16 Column
1469950	1934345	Header Assembly, Right Wall, 3 Pair 16 Column
1469951	1934346	Header Assembly, Double Wall, 3 Pair 16 Column
1469955	1934229	Receptacle Assembly, 3 pair, Standard, 16 Column
1469960	1934335	Header Assembly, Open Ended, 3 Pair 6 Column

\*As announced on 6/20/07, Tyco Electronics now offers the Z-PACK TinMan product line as a form, fit and function replacement to the Z-PACK MAX product line. This chart will assist in finding the Z-PACK TinMan connector part number if you have a Z-PACK MAX connector part number.

## Z-PACK MAX Connector to Z-PACK TinMan Connector Base Part Number Cross Reference\* (Continued)

Z-PACK MAX Connector Base Part Number	Z-PACK TinMan Connector Base Part Number	Description
1469961	1934336	Header Assembly, Left Wall, 3 Pair 6 Column
1469961	1934337	Header Assembly, Right Wall, 3 Pair 6 Column
1469962	1934338	Header Assembly, Double Wall, 3 Pair 6 Column
1469966	1934227	Receptacle Assembly, 3 pair, Standard, 6 Column
1469974	1934359	Right Angle Header Assembly, Open Ended, 3 Pair 8 Column
1469977	1934360	Right Angle Header Assembly, Double Wall, 3 Pair 8 Column
1934007	1934321	Header Assembly, Open Ended, 5 Pair 6 Column
1934008	1934323	Header Assembly, Left Wall, 5 Pair 6 Column
1934008	1934324	Header Assembly, Right Wall, 5 Pair 6 Column
1934009	1934322	Header Assembly, Double Wall, 5 Pair 6 Column
1934010	1934219	Receptacle Assembly, 5 pair, Standard, 6 Column
1934018	1934347	Right Angle Header Assembly, Open Ended, 5 Pair 16 Column
1934021	1934348	Right Angle Header Assembly, Double Wall, 5 Pair 16 Column
1934026	1934351	Right Angle Header Assembly, Open Ended, 4 Pair 16 Column
1934029	1934352	Right Angle Header Assembly, Double Wall, 4 Pair 16 Column
1934034	1934355	Right Angle Header Assembly, Open Ended, 3 Pair 16 Column
1934037	1934356	Right Angle Header Assembly, Double Wall, 3 Pair 16 Column
1934106	1934313	Header Assembly, Left Wall, 4 Pair 10 Column
1934106	1934314	Header Assembly, Right Wall, 4 Pair 10 Column
1934107	1934312	Header Assembly, Double Wall, 4 Pair 10 Column
1934121	1934364	6x6 Orthogonal Offset Header Assembly, Double Wall
1934122	1934231	Receptacle Assembly, 6x6, Orthogonal
1934127	1934220	Receptacle Assembly, 5 pair, Standard, 10 Column
1934136	1934315	Header Assembly, Open Ended, 4 Pair 16 Column
1934137	1934317	Header Assembly, Left Wall, 4 Pair 16 Column
1934137	1934318	Header Assembly, Right Wall, 4 Pair 16 Column
1934141	1934363	6x6 Orthogonal In-Line Header Assembly, Double Wall
1934165	1934361	4x4 Orthogonal In-Line Header Assembly, Double Wall
1934171	1934275	Receptacle Assembly, 4 pair, Standard, 14 Column
1934194	1934325	Header Assembly, Open Ended, 5 Pair 10 Column
1934208	1934326	Header Assembly, Double Wall, 5 Pair 10 Column
1934210	1934327	Header Assembly, Left Wall, 5 Pair 10 Column
1934210	1934328	Header Assembly, Right Wall, 5 Pair 10 Column
N/A	1934223	Receptacle Assembly, 4 pair, Standard, 6 Column
N/A	1934274	Header Assembly 5 Pair Open Ended 8 Column Notched Wall
N/A	1934276	Receptacle Assembly, 5 pair, Standard, 14 Column
N/A	1934287	Header Assembly, Open Ended, 5 Pair 14 Column
N/A	1934288	Header Assembly, Open Ended, 4 Pair 14 Column
N/A	1934289	Header Assembly, Double Wall, 5 Pair 14 Column
N/A	1934290	Header Assembly, Double Wall, 4 Pair 14 Column
N/A	1934307	Header Assembly, Open Ended, 4 Pair 6 Column
N/A	1934308	Header Assembly, Double Wall, 4 Pair 6 Column
N/A	1934309	Header Assembly, Left Wall, 4 Pair 6 Column
N/A	1934310	Header Assembly, Right Wall, 4 Pair 6 Column
N/A	1934319	Header Assembly, Left Wall, 4 Pair 14 Column
N/A	1934320	Header Assembly, Right Wall, 4 Pair 14 Column
N/A	1934329	Header Assembly, Left Wall, 5 Pair 14 Column
N/A	1934330	Header Assembly, Right Wall, 5 Pair 14 Column

\*As announced on 6/20/07, Tyco Electronics now offers the Z-PACK TinMan product line as a form, fit and function replacement to the Z-PACK MAX product line. This chart will assist in finding the Z-PACK TinMan connector part number if you have a Z-PACK MAX connector part number.

## Part Number Index

**Note:** This index lists all cataloged parts by base no. only. Complete part nos. (with prefixes and/or suffixes) are shown on the page(s) indicated.

Part No.	Page	Part No.	Page	Part No.	Page
1934218	6	1934305	13	1934348	22
1934221	6	1934306	16	1934349	21
1934222	7	1934315	13	1934350	22
1934225	7	1934316	16	1934351	23
1934226	8	1934317	14	1934352	24
1934228	8	1934318	15	1934353	23
1934229	8	1934331	9	1934354	24
1934230	33	1934332	12	1934355	25
1934231	30	1934333	10	1934356	26
1934269	9	1934334	11	1934357	25
1934271	12	1934339	17	1934358	26
1934272	10	1934340	18	1934359	25
1934273	11	1934341	19	1934360	26
1934299	17	1934342	20	1934361	35
1934300	18	1934343	17	1934362	34
1934301	19	1934344	18	1934363	32
1934302	20	1934345	19	1934364	31
1934303	14	1934346	20		
1934304	15	1934347	21		

## Tooling Part Number Index

**Note:** This index lists all cataloged parts by base no. only. Complete part nos. (with prefixes and/or suffixes) are shown on the page(s) indicated.

Part No.	Page
1804790	13, 14, 15, 16
1804791	9, 10, 11, 12
1901457	17, 18, 19, 20

**Americas**

**Argentina** – Buenos Aires  
 Phone: +54-11-4733-2200  
 Fax: +54-11-4733-2211

**Brasil** – São Paulo  
 Phone: +55-11-3611-1311  
 Fax: +55-11-3611-0397

**Canada** – Toronto  
 Phone: +905-475-6222  
 Fax: +905-474-5520

**Product Information Center:  
 (Technical Support)**  
 Phone: +905-470-4425  
 Fax: +905-474-5525

**Colombia** – Bogota  
 Phone: +57-1-231-9398  
 Fax: +57-1-660-0206

**Mexico** – Mexico City  
 Phone: +52-55-1106-0800  
 +01-800-733-8926  
 Fax: +52-55-1106-0901

**United States** – Harrisburg, PA  
 Phone: +717-564-0100  
 Fax: +717-986-7575  
**Product Information Center:  
 (Technical Support)**  
 Phone: +800-522-6752  
 Fax: +717-986-7575

**For Latin/South American  
 Countries not shown**  
 Phone: +54-11-4733-2015  
 Fax: +54-11-4733-2083

**Asia/Pacific**

**Australia** – Sydney  
 Phone: +61-2-9554-2600  
 Fax: +61-2-9502-2556  
**Product Information Center:  
 (Technical Support)**  
 Phone: +61-2-9840-8200  
 Fax: +61-2-9634-6188

**India** – Bangalore  
 Phone: +91-80-285-40800  
 Fax: +91-80-285-40820

**Indonesia** – Jakarta  
 Phone: +65-6482-0311  
 Fax: +65-6482-1012

**Japan** – Toyko  
 Phone: +81-44-844-8111  
 Fax: +81-44-812-3207  
**Product Information Center:  
 (Technical Support)**  
 Phone: +81-44-844-8013  
 Fax: +81-44-812-3200

**Korea** – Seoul  
 Phone: +82-2-3415-4500  
 Fax: +82-2-3486-3810

**Malaysia** – Kuala Lumpur  
 Phone: +60-3-78053055  
 Fax: +60-3-78053066

**New Zealand** – Auckland  
 Phone: +64-9-634-4580  
 Fax: +64-9-634-4586

**Philippines** – Makati City  
 Phone: +632-848-0171  
 Fax: +632-867-8661

**People's Republic of China**  
 Hong Kong  
 Phone: +852-2735-1628  
 Fax: +852-2735-0243

Shanghai  
 Phone: +86-21-2407-1588  
 Fax: +86-21-2407-1599

Taiwan – Taipei  
 Phone: +886-2-8768-2788  
 Fax: +886-2-8768-2268

**Singapore** – Singapore  
 Phone: +65-6482-0311  
 Fax: +65-6482-1012

**Thailand** – Bangkok  
 Phone: +66-2-955-0500  
 Fax: +66-2-955-0505

**Vietnam and Indochina** –  
 Ho Chi Minh City  
 Phone: +84-8 930-5546  
 Fax: +84-8 930-3443

**Europe/Middle East/Africa**

**Austria** – Vienna  
 Phone: +43-1 90 5 60-0  
 Fax: +43-1 90 5 60-1333

**Belgium** – Kessel-Lo  
 Phone: +32-16-35-23-00  
 Fax: +32-16-35-23-52

**Bulgaria** – Sofia  
 Phone: +359-2-971-2152  
 Fax: +359-2-971-2153

**Czech Republic** – Kurim  
 Phone: +420-5-41-162-111  
 Fax: +420-5-41-162-223

**Denmark** – Glostrup  
 Phone: +45-43-480-452  
 Fax: +45-43-441-414

**Egypt** – Cairo  
 Phone: +20-2-29 04 281  
 Fax: +20-2-41 92 334

**Estonia** – Tartu  
 Phone: +372-5138-274  
 Fax: +372-7400-779

**Finland** – Helsinki  
 Phone: +358-95-12-34-20  
 Fax: +358-95-12-34-250

**France** – Cergy-Pontoise  
 Phone: +33-1-3420-8888  
 Fax: +33-1-3420-8600

**Product Information Center:  
 (Technical Support)**  
 Phone: +33-1-3420-8943  
 Fax: +33-1-3420-8623

**Germany** – Bensheim  
 Phone: +49-6251-133-0  
 Fax: +49-6251-133-1600

**Product Information Center:  
 (Technical Support)**  
 Phone: +49-6251-133-1999  
 Fax: +49-6251-133-1988

**Germany** – Langen  
 Phone: +49-6103-709-0  
 Fax: +49-6103-709-1223

**Germany** – Speyer  
 Phone: +49-6232-30-0  
 Fax: +49-6232-30-2243

**Germany - HTS Division** – Neunkirchen  
 Phone: +49-2247-305-0  
 Fax: +49-2247-305-122

**Greece** – Athens  
 Phone: +30-210-9370-396/397  
 Fax: +30-210-9370-655

**Hungary** – Budapest  
 Phone: +36-1-289-1000  
 Fax: +36-1-289-1010

**Ireland** – Dublin  
 Phone: +353-1-820-3000  
 Fax: +353-1-820-9790

**Israel** – Yokneam  
 Phone: +972-4-959-0508  
 Fax: +972-4-959-0506

**Italy** – Collegno (Torino)  
 Phone: +39-011-4012-111  
 Fax: +39-011-4031116

**Lithuania** – Vilnius  
 Phone: +370-5-2131-402  
 Fax: +370-5-2131-403

**Netherlands** – 's-Hertogenbosch  
 Phone: +31-73-624-62-46  
 Fax: +31-73-621-23-65

**Product Information Center:  
 (Technical Support)**  
 Phone: +31-73-6246-999  
 Fax: +31-73-6246-998

**Norway** – Nesbru  
 Phone: +47-66-77-8886  
 Fax: +47-66-77-8855

**Poland** – Warsaw  
 Phone: +48-22-45-76-700  
 Fax: +48-22-45-76-720

**Romania** – Bucharest  
 Phone: +40-21-311-3479/3596  
 Fax: +40-21-312-0574

**Russia** – Moscow  
 Phone: +7-495-926-5506/07/08/09  
 Fax: +7-495-926-5505

**Russia** – St. Petersburg  
 Phone: +7-812-718-8192  
 Fax: +7-812-718-8193

**Slovenia** – Ljubljana  
 Phone: +386-1561-3270  
 Fax: +386-1561-3240

**South Africa** – Port Elizabeth  
 Phone: +2741-503-4500  
 Fax: +2741-581-0440

**Spain** – Barcelona  
 Phone: +34-93-291-0330  
 Fax: +34-93-201-7879

**Product Information Center:  
 (Technical Support):**  
 Phone: +34-93-291-0330  
 Fax: +34-93-200-3779

**Sweden** – Upplands Väsby  
 Phone: +46-8-50-72-50-00  
 Fax: +46-8-50-72-50-01

**Switzerland** – Steinach  
 Phone: +41-71-447-0447  
 Fax: +41-71-447-0444

**Turkey** – Istanbul  
 Phone: +90-212-281-8181/2/3  
 Fax: +90-212-281-8184

**Ukraine** – Kiev  
 Phone: +380-044-206-2265  
 Fax: +380-044-206-2264

**United Kingdom** – Swindon  
 Phone: +44-8706-080-208  
 Fax: +44-1793-572-516

**Product Information Center:  
 (Technical Support)**  
 Freephone GB: 0800-267-666  
 Phone: +44-8706-080-208  
 Fax: +44-208-420-8081

**For Middle East/African Countries  
 Not Shown**  
 Phone: +33-1-3420-8866  
 Fax: +33-1-3420-8300





## Стандарт Электрон Связь

Мы молодая и активно развивающаяся компания в области поставок электронных компонентов. Мы поставляем электронные компоненты отечественного и импортного производства напрямую от производителей и с крупнейших складов мира.

Благодаря сотрудничеству с мировыми поставщиками мы осуществляем комплексные и плановые поставки широчайшего спектра электронных компонентов.

Собственная эффективная логистика и склад в обеспечивает надежную поставку продукции в точно указанные сроки по всей России.

Мы осуществляем техническую поддержку нашим клиентам и предпродажную проверку качества продукции. На все поставляемые продукты мы предоставляем гарантию .

Осуществляем поставки продукции под контролем ВП МО РФ на предприятия военно-промышленного комплекса России , а также работаем в рамках 275 ФЗ с открытием отдельных счетов в уполномоченном банке. Система менеджмента качества компании соответствует требованиям ГОСТ ISO 9001.

Минимальные сроки поставки, гибкие цены, неограниченный ассортимент и индивидуальный подход к клиентам являются основой для выстраивания долгосрочного и эффективного сотрудничества с предприятиями радиоэлектронной промышленности, предприятиями ВПК и научно-исследовательскими институтами России.

С нами вы становитесь еще успешнее!

### Наши контакты:

**Телефон:** +7 812 627 14 35

**Электронная почта:** [sales@st-electron.ru](mailto:sales@st-electron.ru)

**Адрес:** 198099, Санкт-Петербург,  
Промышленная ул, дом № 19, литера Н,  
помещение 100-Н Офис 331