

USB4640/USB4640i

High-Speed Inter-Chip (HSIC) USB 2.0 Hub and Flash Media Controller

PRODUCT FEATURES

Datasheet

General Description

The SMSC USB4640/USB4640i is a Hi-Speed HSIC USB hub and card reader combo solution with an upstream port that is compliant to HSIC 1.0 (supplement to the *USB 2.0 Specification*). The two downstream ports are compliant with the *USB 2.0 Specification*.

High-Speed Inter-Chip (HSIC) is a digital interconnect bus that enables the use of USB technology as a low-power chip-to-chip interconnect at speeds up to 480 Mb/s. The HSIC interface is an industry standard 2-pin digital interface which uses standard USB software. The USB4640/USB4640i provides an ultra fast interface between an HSIC enabled host and several popular flash media formats. The controller allows read/write capability to flash media from the following families:

- Secure Digital™ (SD)
- MultiMediaCard™ (MMC)
- Memory Stick® (MS)
- xD-Picture Card™ (xD)¹

The USB4640/USB4640i combo solution leverages SMSC's innovative technology that delivers industry-leading data throughput in mixed-speed USB environments. Average sustained transfer rates exceeding 35 MB/s are possible².

Highlights

- Upstream HSIC port and 2 exposed Hi-Speed USB 2.0 downstream ports for external peripheral expansion
- Dedicated flash media reader internally attached to a 3rd downstream port of the hub as a USB compound device
 - single or multiplexed flash media reader interface
- **PortMap**
 - Flexible port mapping and disable sequencing
- **PortSwap**
 - Programmable USB differential-pair pin locations ease PCB design by aligning USB signal lines directly to connectors
- **PHYBoost**
 - Programmable USB signal drive strength for recovering signal integrity using 4-level driving strength resolution

Features

- Compliance with the following flash media card specifications SD 2.0; MMC 4.2; MS 1.43; MS-Pro 1.02; MS-Pro-HG 1.01; MS-Duo 1.10; and xD 1.2
- Low-power digital HSIC interface offers a replacement for onboard host and device connection for analog USB bus cable
- HSIC interface enables printers, mobile PCs, ultra-mobile PCs, and cell phone products to reduce the total power budget
- HSIC interface provides use of USB connectivity and compatibility with existing USB drivers and software
- External 1.2 V reference allows upstream/downstream HSIC links to use the same voltage reference
- Supports a single external 3.3 V supply source; internal regulators provide 1.8 V internal core voltage for additional bill of materials and power savings
- The hub transaction translator (TT) supports Full-Speed and Low-Speed peripheral operation
- 9 KB RAM | 64 KB on-chip ROM
- Enhanced EMI rejection and ESD protection performance
- Hub and flash media reader/writer configuration from a single source:
 - Configures internal code using an external I²C EEPROM
 - Supports external code using an SPI Flash EEPROM
 - Customizable vendor ID, product ID, and language ID if using an external EEPROM
- Up to 9 configurable GPIOs for special functions
- The USB4640 supports the commercial temperature range of 0°C to +70°C
- The USB4640i supports the industrial temperature range of -40°C to +85°C
- 48-pin QFN (7 x 7 mm) lead-free, RoHS compliant package

Applications

- 3G/4G handsets, smartphones, cell phones, and other mobile devices
- Desktop and mobile PCs
- Printers
- GPS navigation systems
- Media players/viewers
- Consumer A/V
- Set-top boxes
- Industrial products

1. Obtain user license from the xD-Picture Card License Office.
 2. Host and media dependent.

Datasheet

Order Number(s):

USB4640/USB4640i-HZH-xx for 48-pin, QFN lead-free RoHS compliant package

USB4640/USB4640i-HZH-TR-xx for 48-pin, QFN lead-free RoHS compliant tape and reel package

“XX” in the order number indicates the internal ROM firmware revision level. Please contact SMSC for more information.

This product meets the halogen maximum concentration values per IEC61249-2-21

For RoHS compliance and environmental information, please visit www.smisc.com/rohs

Please contact your SMSC sales representative for additional documentation related to this product such as application notes, anomaly sheets, and design guidelines.

Copyright © 2013 SMSC or its subsidiaries. All rights reserved.

Circuit diagrams and other information relating to SMSC products are included as a means of illustrating typical applications. Consequently, complete information sufficient for construction purposes is not necessarily given. Although the information has been checked and is believed to be accurate, no responsibility is assumed for inaccuracies. SMSC reserves the right to make changes to specifications and product descriptions at any time without notice. Contact your local SMSC sales office to obtain the latest specifications before placing your product order. The provision of this information does not convey to the purchaser of the described semiconductor devices any licenses under any patent rights or other intellectual property rights of SMSC or others. All sales are expressly conditional on your agreement to the terms and conditions of the most recently dated version of SMSC's standard Terms of Sale Agreement dated before the date of your order (the "Terms of Sale Agreement"). The product may contain design defects or errors known as anomalies which may cause the product's functions to deviate from published specifications. Anomaly sheets are available upon request. SMSC products are not designed, intended, authorized or warranted for use in any life support or other application where product failure could cause or contribute to personal injury or severe property damage. Any and all such uses without prior written approval of an Officer of SMSC and further testing and/or modification will be fully at the risk of the customer. Copies of this document or other SMSC literature, as well as the Terms of Sale Agreement, may be obtained by visiting SMSC's website at <http://www.smisc.com>. SMSC is a registered trademark of Standard Microsystems Corporation ("SMSC"). Product names and company names are the trademarks of their respective holders.

The Microchip name and logo, and the Microchip logo are registered trademarks of Microchip Technology Incorporated in the U.S.A. and other countries.

SMSC DISCLAIMS AND EXCLUDES ANY AND ALL WARRANTIES, INCLUDING WITHOUT LIMITATION ANY AND ALL IMPLIED WARRANTIES OF MERCHANTABILITY, FITNESS FOR A PARTICULAR PURPOSE, TITLE, AND AGAINST INFRINGEMENT AND THE LIKE, AND ANY AND ALL WARRANTIES ARISING FROM ANY COURSE OF DEALING OR USAGE OF TRADE. IN NO EVENT SHALL SMSC BE LIABLE FOR ANY DIRECT, INCIDENTAL, INDIRECT, SPECIAL, PUNITIVE, OR CONSEQUENTIAL DAMAGES; OR FOR LOST DATA, PROFITS, SAVINGS OR REVENUES OF ANY KIND; REGARDLESS OF THE FORM OF ACTION, WHETHER BASED ON CONTRACT; TORT; NEGLIGENCE OF SMSC OR OTHERS; STRICT LIABILITY; BREACH OF WARRANTY; OR OTHERWISE; WHETHER OR NOT ANY REMEDY OF BUYER IS HELD TO HAVE FAILED OF ITS ESSENTIAL PURPOSE, AND WHETHER OR NOT SMSC HAS BEEN ADVISED OF THE POSSIBILITY OF SUCH DAMAGES.

Conventions

Within this manual, the following abbreviations and symbols are used to improve readability.

Example	Description
BIT	Name of a single bit within a field
FIELD.BIT	Name of a single bit (BIT) in FIELD
x...y	Range from x to y, inclusive
BITS[m:n]	Groups of bits from m to n, inclusive
PIN	Pin Name
zzzzb	Binary number (value zzzz)
0zzzz	Hexadecimal number (value zzz)
zzh	Hexadecimal number (value zz)
rsvd	Reserved memory location. Must write 0, read value indeterminate
N/A	Not applicable
code	Instruction code, or API function or parameter
<i>Multi Word Name</i>	Used for multiple words that are considered a single unit, such as: <i>Resource Allocate</i> message, or <i>Connection Label</i> , or <i>Decrement Stack Pointer</i> instruction.
<i>Section Name</i>	Section or Document name.
$\overline{\text{VAL}}$	Over-bar indicates active low pin or register bit
x	Don't care
<Parameter>	<> indicate a Parameter is optional or is only used under some conditions
{,Parameter}	Braces indicate Parameter(s) that repeat one or more times.
[Parameter]	Brackets indicate a nested Parameter. This Parameter is not real and actually decodes into one or more real parameters.

Table of Contents

Chapter 1 Overview	8
1.1 Hardware Features	8
1.2 Software Features	9
1.3 OEM Selectable Hub Features	9
Chapter 2 Block Diagram	10
Chapter 3 Pinning Information	11
3.1 Pin Configurations	11
3.2 48-Pin List	12
3.3 Pin Descriptions	13
3.4 Buffer Type Descriptions	18
3.5 Port Power Control	20
3.5.1 Port Power Control Using a USB Power Switch	20
3.5.2 Port Power Control Using a Poly Fuse	20
3.6 ROM BOOT Sequence	21
3.7 Pin Reset States	22
Chapter 4 Configuration Options	25
4.1 Hub	25
4.2 Card Reader	25
4.3 System Configurations	25
4.3.1 EEPROM/SPI Interface	25
4.3.2 EEPROM Data Descriptor	26
4.4 Internal Flash Media Controller Extended Configurations	28
4.4.1 EEPROM Data Descriptor Register Descriptions	29
4.4.2 A0h-A7h: Device Power Configuration	33
4.4.3 Device ID Strings	35
4.4.4 Hub Controller Configurations	36
4.4.5 Internal Flash Media Controller Extended Configurations	46
4.4.6 I ² C EEPROM	46
4.4.7 In-Circuit EEPROM Programming	47
4.5 Default Configuration Option	47
4.5.1 External Hardware nRESET	47
4.5.2 USB Bus Reset	48
Chapter 5 AC Specifications	49
5.1 Oscillator/Crystal	49
5.2 Ceramic Resonator	50
5.3 External Clock	50
5.3.1 I ² C EEPROM	50
5.3.2 USB 2.0	50
Chapter 6 DC Parameters	51
6.1 Maximum Guaranteed Ratings	51
6.2 Operating Conditions	52
6.3 DC Electrical Characteristics	53
6.4 Capacitance	56
Chapter 7 GPIO Usage	57

Chapter 8 Package Specifications	58
8.1 Tape and Reel Specifications	59

Datasheet

List of Tables

Table 3.1	USB4640/USB4640i 48-Pin List	12
Table 3.2	USB4640/USB4640i Pin Descriptions	13
Table 3.3	USB4640/USB4640i Buffer Type Descriptions	18
Table 3.4	Legend for Pin Reset States Table	23
Table 3.5	USB4640/USB4640i Reset States Table	23
Table 4.1	Internal Flash Media Controller Configurations	26
Table 4.2	Hub Controller Configurations	27
Table 4.3	Other Internal Configurations	28
Table 4.4	Internal Flash Media Controller Extended Configurations	28
Table 4.5	Port Map Register for Ports 1 and 2	44
Table 4.6	Port Map Register for Port 3	45
Table 4.7	nRESET Timing for EEPROM Mode	48
Table 5.1	Crystal Circuit Legend	49
Table 6.1	Pin Capacitance	56
Table 7.1	USB4640/USB4640i GPIO Usage	57

List of Figures

Figure 2.1	USB4640/USB4640i Block Diagram	10
Figure 3.1	USB4640/USB4640i 48-Pin QFN	11
Figure 3.2	Port Power Control with USB Power Switch	20
Figure 3.3	Port Power Control with a Single Poly Fuse and Multiple Loads	21
Figure 3.4	Port Power with Ganged Control with Poly Fuse	21
Figure 3.5	SPI ROM Connection	22
Figure 3.6	I ² C Connection	22
Figure 3.7	Pin Reset States	22
Figure 4.1	nRESET Timing for EEPROM Mode	47
Figure 5.1	Typical Crystal Circuit	49
Figure 5.2	Capacitance Formulas	49
Figure 5.3	Ceramic Resonator Usage with SMSC IC	50
Figure 6.1	Supply Rise Time Model	52
Figure 8.1	USB4640/USB4640i 48-Pin QFN	58
Figure 8.2	48-Pin Package Tape Specifications	59
Figure 8.3	48-Pin Package Reel Specifications	60

Chapter 1 Overview

The USB4640/USB4640i is a Hi-Speed HSIC USB hub and card reader combo solution with an upstream port compliant to the *High-Speed Inter-Chip USB Electrical Specification Revision 1.0* [2]. The two downstream ports are USB 2.0 compliant, and the dedicated flash media reader/writer is internally attached to a 3rd downstream port as a USB compound device.

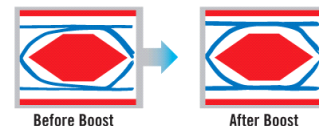
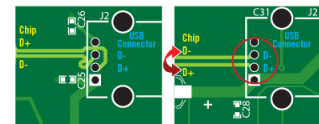
High-Speed Inter-Chip (HSIC) is a digital interconnect bus that enables the use of USB technology as a low-power chip-to-chip interconnect at speeds up to 480 Mb/s (see the *High-Speed Inter-Chip USB Electrical Specification Revision 1.0*). This combo solution supports several multi-format flash media cards. This multi-format flash media controller and USB hub combo features two exposed downstream USB ports available for external peripheral expansion.

The USB4640/USB4640i can attach to an upstream port as a Full- or Full/Hi-Speed hub. The hub supports Low-Speed, Full-Speed, and Hi-Speed downstream devices (if operating as a Hi-Speed hub) on all of the enabled downstream ports.

All required resistors on the USB ports are integrated into the hub, including all series termination resistors on D+ and D– pins and all required pull-down and pull-up resistors. The over-current sense inputs for the downstream facing ports have internal pull-up resistors.

The USB4640/USB4640i includes programmable features, such as:

- **PortMap:** provides flexible port mapping and disable sequences. The downstream ports of a USB4640/USB4640i hub can be reordered or disabled in any sequence to support multiple platform designs with minimum effort. For any port that is disabled, the USB4640/USB4640i hub controllers automatically reorder the remaining ports to match the USB host controller's port numbering scheme.
- **PortSwap:** adds per-port programmability to USB differential-pair pin locations. PortSwap also allows direct alignment of USB signals (D+/D–) to connectors to avoid uneven trace length or crossing of the USB differential signals on the PCB.
- **PHYBoost:** enables 4 programmable levels of USB signal drive strength in downstream port transceivers. PHYBoost will also attempt to restore USB signal integrity.



Note: PHYBoost is only available on the two USB downstream ports.

1.1 Hardware Features

- Single chip HSIC hub and flash media controller combo
- USB2660/USB2660i supports the commercial temperature range of 0°C to +70°C
- USB4640/USB4640i supports the industrial temperature range of -40°C to +85°C
- Transaction translator (TT) in the hub supports operation of FS and LS peripherals
- Full power management with individual or ganged power control of each downstream port
- Optional support for external firmware access via SPI interface
- Onboard 24 MHz crystal driver circuit
- Optional external 24 MHz clock input (must be a 1.8 V signal)
- Code execution via SPI ROM which must meet the following criteria:
 - 30 MHz or 60 MHz operation support
 - Single bit or dual bit mode support
 - Mode 0 or mode 3 SPI support

- Compliance with the following flash media card specifications:
 - Secure Digital 2.0 and MultiMediaCard 4.2
 - SD 2.0, SD-HS, SD-HC
 - TransFlash™ and reduced form factor media
 - 1/4/8 bit MMC 4.2
 - Memory Stick 1.43
 - Memory Stick Pro Format 1.02
 - Memory Stick Pro-HG Duo Format 1.01
 - Memory Stick, MS Duo, MS-HS, MS Pro-HG, MS Pro
 - Memory Stick Duo 1.10
 - xD-Picture Card 1.2
- Up to 9 GPIOs: configuration and polarity for special function use
 - The number of actual GPIOs depends on the implementation configuration used
 - One GPIO available with up to 200 mA drive and protected fold-back short circuit current
- 8051 8-bit microprocessor
 - 60 MHz - single cycle execution
 - 64 KB ROM | 9 KB RAM
- Integrated regulator for 1.8 V core operation

1.2 Software Features

- Hub and flash media reader/writer configuration from a single source: External I²C ROM or external SPI ROM, where the following features are then available:
 - Customizable vendor ID, product ID, and device ID
 - 12-hex digits maximum for the serial number string
 - 28-character manufacturer ID and product strings for the flash media reader/writer

1.3 OEM Selectable Hub Features

The USB4640/USB4640i provides a default configuration that may be sufficient for most applications following a reset. The USB4640/USB4640i can instead be configured by an external I²C EEPROM or SPI ROM.

- Compound Device support on a port-by-port basis
 - a port is permanently hardwired to a downstream USB peripheral device
- Select over-current sensing and port power control on an individual or ganged (all ports together) basis to match the OEM's choice of circuit board component selection
- Port power control and over-current detection/delay features
- Configure the delay time for filtering the over-current sense inputs
- Configure the delay time for turning on downstream port power
- Bus- or self-powered selection
- Hub port disable or non-removable configurations
- Flexible port mapping and disable sequencing supports multiple platform designs
- Programmable USB differential-pair pin location eases PCB layout by aligning USB signal lines directly to connectors
- Programmable USB signal drive strength recovers USB signal integrity using 4 levels of signal drive strength
- Indicate the maximum current that the 2-port hub consumes
- Indicate the maximum current required for the hub controller

Chapter 2 Block Diagram

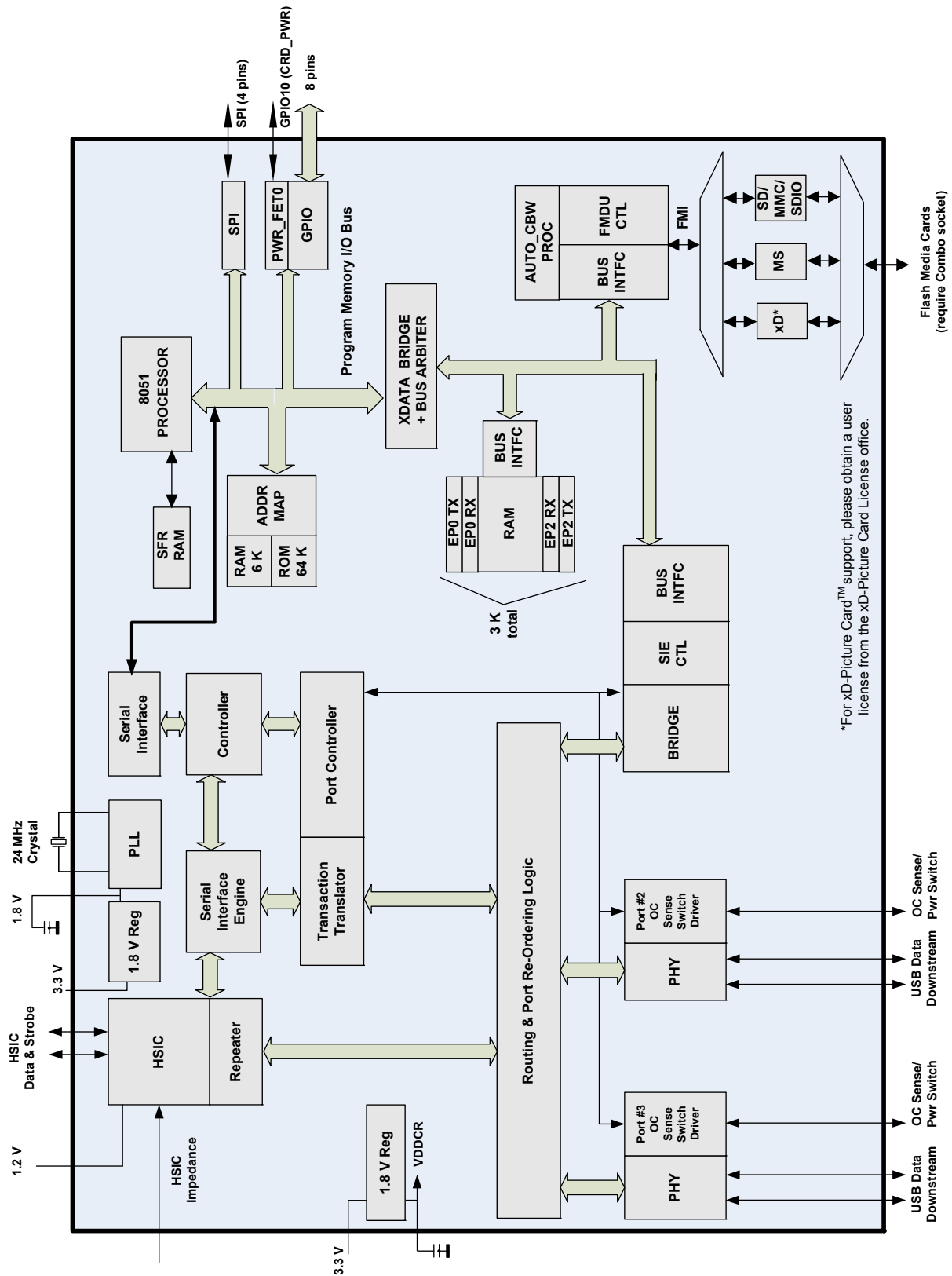


Figure 2.1 USB4640/USB4640i Block Diagram

Chapter 3 Pinning Information

This chapter outlines the pinning configuration, followed by a corresponding pin list grouped by function. The detailed pin descriptions are listed then outlined in [Section 3.3, on page 13](#).

3.1 Pin Configurations

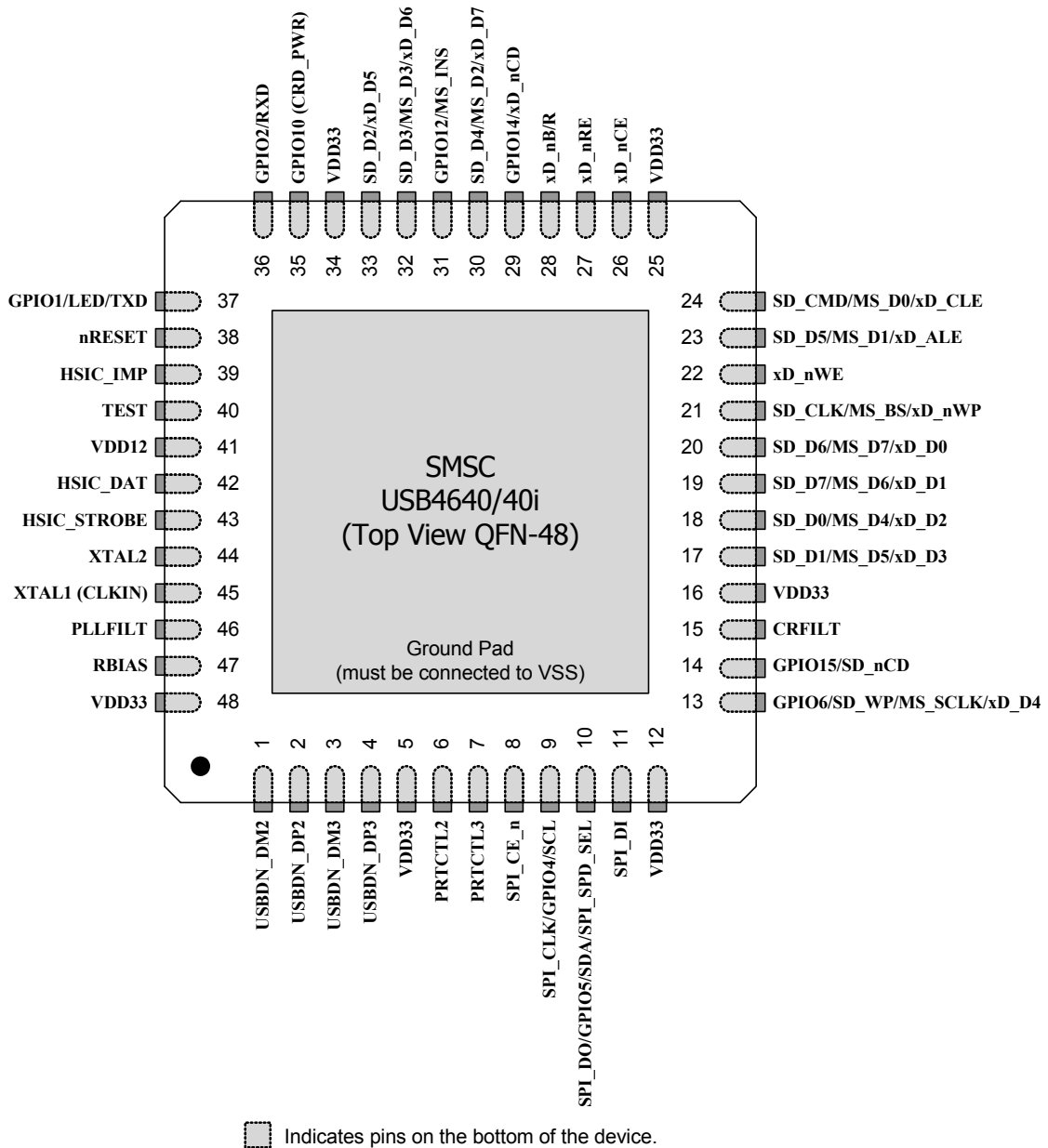


Figure 3.1 USB4640/USB4640i 48-Pin QFN

Datasheet

3.2 48-Pin List**Table 3.1 USB4640/USB4640i 48-Pin List**

UPSTREAM HSIC INTERFACE (3 PINS)			
HSIC_IMP	HSIC_DAT	HSIC_STROBE	
DOWNSTREAM USB INTERFACE (3 PINS)			
XTAL1 (CLKIN)	XTAL2	RBIAS	
DOWNSTREAM 2-PORT USB INTERFACE (6 PINS)			
USBDN_DP2	USBDN_DM2	PRTCTL2	PRTCTL3
USBDN_DP3	USBDN_DM3		
SECURE DIGITAL/MEMORY STICK/xD INTERFACE (18 PINS)			
SD_D7/ MS_D6/ xD_D1	SD_D6/ MS_D7/ xD_D0	SD_D5/ MS_D1/ xD_ALE	SD_D4/ MS_D2/ xD_D7
SD_D3/ MS_D3/ xD_D6	SD_D2/ xD_D5	SD_D1/ MS_D5/ xD_D3	SD_D0/ MS_D4/ xD_D2
SD_CLK/ MS_BS/ xD_nWP	SD_CMD/ MS_D0/ xD_CLE	GPIO15/ SD_nCD	GPIO12/ MS_INS
GPIO6/ SD_WP/ MS_SCLK/ xD_D4	GPIO14/ xD_nCD	xD_nWE	xD_nB/R
xD_nRE	xD_nCE		
SPI INTERFACE (4 PINS)			
SPI_CE_N	SPI_CLK/ GPIO4/ SCL	SPI_DO/ GPIO5/ SDA/ SPI_SPD_SEL	SPI_DI
MISC (5 PINS)			
nRESET	TEST	GPIO1/ LED/ TXD	GPIO2/ RXD
GPIO10 (CRD_PWR)			
POWER (9 PINS)			
(6) VDD33	VDD12	CRFILT	PLLFILT
TOTAL 48			

3.3 Pin Descriptions

This section provides a detailed description of each pin. The pins are arranged in functional groups according to their associated interface. The pin descriptions below are applied when using the internal default firmware and can be referenced in [Chapter 4: Configuration Options on page 25](#). See [Appendix A: \(Acronyms\) on page 61](#) for details.

An n in the signal name indicates that the active (asserted) state occurs when the signal is at a low voltage level. When the n is not present, the signal is asserted when it is at a high voltage level. The terms assertion and negation are used exclusively in order to avoid confusion when working with a mixture of active low and active high signals. The term assert, or assertion, indicates that a signal is active, independent of whether that level is represented by a high or low voltage. The term negate, or negation, indicates that a signal is inactive.

Table 3.2 USB4640/USB4640i Pin Descriptions

SYMBOL	48-PIN QFN	BUFFER TYPE	DESCRIPTION
UPSTREAM HSIC INTERFACE			
HSIC_IMP	39	I	HSIC Impedance Control Selects the driver impedance of HSIC_DAT and HSIC_STROBE 1 : Approximately 50 Ω impedance 0 : Approximately 40 Ω impedance
HSIC_DAT	42	I/O	HSIC Data Bi-directional double data rate (DDR) data signal that is synchronous to the HSIC_STROBE signal as defined in the <i>High-Speed Inter-Chip USB Specification, Version 1.0</i> .
HSIC_STROBE	43	I/O	HSIC Strobe Bi-directional data strobe signal defined in the <i>High-Speed Inter-Chip USB Specification, Version 1.0</i> .
DOWNSTREAM USB INTERFACE			
USBDN_DM [3:2] USBDN_DP [3:2]	3 1 4 2	I/O-U	USB Bus Data Connect to the downstream USB bus data signals and can be swapped using the PortSwap feature (See Section 4.4.4.20: F1h: Port Swap on page 43).
PRTCTL[3:2]	7 6	I/OD6PU	USB Power Enable, when used as an: <ul style="list-style-type: none"> ■ output: enables power to downstream USB peripheral devices and have weak internal pull-up resistors. (See Section 3.5: Port Power Control on page 20 for diagram and usage instructions.) ■ input: monitor the over-current condition (when the power is enabled). When an over-current condition is detected, the pins turn the power off.
RBIAS	47	I-R	USB Transceiver Bias Sets the transceiver's internal bias currents using a 12.0 k Ω , $\pm 1.0\%$ resistor attached from VSS.
XTAL1 (CLKIN)	45	ICLKx	24 MHz Crystal Input or External Clock Input Can be connected to one terminal of the crystal or connected to an external 24 MHz clock when a crystal is not used.

Datasheet

Table 3.2 USB4640/USB4640i Pin Descriptions (continued)

SYMBOL	48-PIN QFN	BUFFER TYPE	DESCRIPTION
XTAL2	44	OCLKx	24 MHz Crystal Output The other terminal of the crystal, or it is left open when an external clock source is used to drive XTAL1(CLKIN).
SECURE DIGITAL INTERFACE			
SD_D[7:0]	19 20 23 30 32 33 17 18	I/O8PU	Secure Digital Data 7-0 Bi-directional data signals SD_D0 - SD_D7 with weak pull-up resistors.
SD_CLK	21	O8	Secure Digital Clock The output clock signal to the SD/MMC device.
SD_CMD	24	I/O8PU	Secure Digital Command Bi-directional signal that connects to the CMD signal of the SD/MMC device. The bi-directional signal has a weak internal pull-up resistor.
GPIO15/ SD_nCD	14	I/O6	General Purpose IO 15 Can be used either as an input; edge sensitive interrupt input; or output. Custom firmware is required to activate this function.
		I/O8PU	Secure Digital Card Detect GPIO Designated by the default firmware as the Secure Digital card detection pin and has an internal pull-up.
GPIO6/ SD_WP	13	I/O6	General Purpose IO 6 Can be used either as input; edge sensitive interrupt input; or output. Custom firmware is required to activate this function.
		I/O8	Secure Digital Write Protected GPIO Designated by the default firmware as the Secure Digital card interface mechanical write protect detect pin.
MEMORY STICK INTERFACE			
MS_BS	21	O8	Memory Stick Bus State Connected to the bus state pin of the MS device. It is used to control the Bus States 0, 1, 2, and 3 (BS0, BS1, and BS3) of the MS device.
GPIO12/ MS_INS	31	I/O8	General Purpose IO 12 Can be used either as input; edge sensitive interrupt input; or output. Custom firmware is required to activate this function.
		IPU	Memory Stick Card Insertion GPIO Designated by the default software as the Memory Stick card detection pin and has a weak internal pull-up resistor.
MS_SCLK	13	O8	Memory Stick System Clock Output clock signal to the MS device.

Table 3.2 USB4640/USB4640i Pin Descriptions (continued)

SYMBOL	48-PIN QFN	BUFFER TYPE	DESCRIPTION
MS_D[7:0]	20 19 17 18 32 30 23 24	I/O8PD	Memory Stick System Data In/Out Bi-directional data signals for the MS device. In serial mode, the most significant bit (MSB) of each byte is transmitted first by either the memory stick controller MSC or the MS device on MS_D0 . MS_D0 , MS_D2 , and MS_D3 have weak pull-down resistors. MS_D1 has a pull-down resistor when in parallel mode. Otherwise, it is disabled. In 4- or 8-bit parallel modes, all MS_D7 - MS_D0 signals have weak pull-down resistors.
xD-PICTURE CARD INTERFACE			
xD_D[7:0]	30 32 33 13 17 18 19 20	I/O8PD	xD-Picture Card Data 7-0 Bi-directional data signals xD_D7 - xD_D0 and have weak internal pull-down resistors.
xD_ALE	23	O8PD	xD-Picture Card Address Strobe Active high Address Latch Enable (ALE) signal for the xD-Picture Card device. This pin has a weak pull-down resistor that is permanently enabled.
xD_nB/R	28	IPU	xD-Picture Card Busy or Data Ready Connected to the BSY/RDY pin of the xD-Picture Card device. When using the internal FET, this pin has a weak internal pull-up resistor that is tied to the output of the internal power FET. If an external FET is used (the internal FET is disabled), then the internal pull-up is not available (an external pull-up is required).
xD_nCE	26	O8PU	xD-Picture Card Chip Enable Active low chip enable signal for the xD-Picture Card device. When using the internal FET, this pin has weak internal pull-up resistor that is tied to the output of the internal power FET. If an external FET is used (internal FET is disabled), then the internal pull-up is not available (an external pull-up is required).
xD_CLE	24	O8PD	xD-Picture Card Command Strobe An active high Command Latch Enable signal for the xD-Picture Card device. This pin has a weak pull-down resistor that is permanently enabled.
GPIO14/	29	I/O6	General Purpose IO 14 Can be used either as input; edge sensitive interrupt input; or output. Custom firmware is required to activate this function.
xD_nCD		I/O8	xD-Picture Card Detection GPIO Designated by the default firmware as the xD-Picture Card detection pin and has an internal pull-up.

Datasheet

Table 3.2 USB4640/USB4640i Pin Descriptions (continued)

SYMBOL	48-PIN QFN	BUFFER TYPE	DESCRIPTION
xD_nRE	27	O8PU	xD-Picture Card Read Enable Active low read strobe signal for the xD-Picture Card device. When using the internal FET, this pin has a weak internal pull-up resistor that is tied to the output of the internal power FET. If an external FET is used (internal FET is disabled), then the internal pull-up is not available (an external pull-up is required).
xD_nWE	22	O8PU	xD-Picture Card Write Enable Active low write strobe signal for the xD-Picture Card device. When using the internal FET, this pin has a weak internal pull-up resistor that is tied to the output of the internal power FET. If an external FET is used (internal FET is disabled), then the internal pull-up is not available (an external pull-up is required).
xD_nWP	21	O8PD	xD-Picture Card Write Protect Active low write-protect signal for the xD-Picture Card device. This pin has a weak pull-down resistor that is permanently enabled.
SPI INTERFACE			
SPI_CE_n	8	O12	SPI Chip Enable Active low chip enable output. If the SPI interface is enabled, this pin must be driven high in power down states.
SPI_CLK/ GPIO4/ SCL	9	I/O12 I/O6	SPI Clock Out Clock signal out to the serial ROM. See Section 3.6: ROM BOOT Sequence on page 21 for diagram and usage instructions. During reset, this pin must be driven low. General Purpose IO 4 Can be used either as input; edge sensitive interrupt input; or output. Custom firmware is required to activate this function. Serial Clock The I ² C EEPROM clock pin when the device is connected to the optional I ² C EEPROM.

Table 3.2 USB4640/USB4640i Pin Descriptions (continued)

SYMBOL	48-PIN QFN	BUFFER TYPE	DESCRIPTION
SPI_DO/	10	I/O12	SPI Serial Data Out The output for the SPI port. See Section 3.6: ROM BOOT Sequence for diagram and usage instructions.
GPIO5/		I/O6	This pin may be used either as an input; edge sensitive interrupt input; or output. Custom firmware is required to activate this function.
SDA/			Serial Data Line The I ² C EEPROM data pin when the device is connected to the optional I ² C EEPROM.
SPI_SPD_SEL		I/O12	SPI Speed Select Selects the speed of the SPI interface. During nRESET assertion, this pin will be tri-stated with the weak pull-down resistor enabled. When nRESET is negated, the value on the pin will be internally latched, and the pin will revert to SPI_DO functionality, where the internal pull-down will be disabled. 0 : 30 MHz (no external resistor should be applied) 1 : 60 MHz (a 10 kΩ external pull-up resistor must be applied) If the latched value is 1, then the pin is tri-stated when the chip is in the suspend state. If the latched value is 0, then the pin is driven low during a suspend state.
SPI_DI	11	I/O12PD	SPI Serial Data In The SPI data in to the controller from the ROM. This pin has a weak internal pull-down applied at all times to prevent floating.
MISC			
GPIO1/	37	I/O6	General Purpose I/O 1 Can be used either as an input; edge sensitive interrupt input; or output. Custom firmware is required to activate this function.
LED/			Can be used as an LED output.
TXD			This signal can be configured as the TXD output of the internal UART. Custom firmware is required to activate this function.
GPIO2/	36	I/O6	General Purpose I/O 2 Can be used either as an input; edge sensitive interrupt input; or output. Custom firmware is required to activate this function.
RXD			This signal can be configured as input to the RXD of the internal UART. Custom firmware is required to activate this function.
GPIO10 (CRD_PWR)	35	I/O200	Card Power Drive: 3.3 V (100 mA or 200 mA) This must be the only FET used to power devices. Failure to do this will violate voltage specifications on device pins. If this pin is not being used as a card power pin, this pin may be used either as an input; edge sensitive interrupt input; or output (GPIO). Please see Section 4.4.2.3: A4h-A5h: Smart Media Device Power Configuration on page 34 for more information.

Datasheet

Table 3.2 USB4640/USB4640i Pin Descriptions (continued)

SYMBOL	48-PIN QFN	BUFFER TYPE	DESCRIPTION
nRESET	38	IS	Reset Input The system uses this active low signal to reset the chip. The active low pulse should be at least 1 μ s wide.
TEST	40	I	Test Input Tie to ground for normal operation.
DIGITAL / POWER / GROUND			
CRFILT	15		VDD Core Regulator Filter Capacitor Requires a 1.0 μ F (or greater) \pm 20% (ESR < 0.1 Ω) capacitor to VSS.
PLLFILT	46		Phase-Locked Loop Regulator Filter Capacitor Requires a 1.0 μ F (or greater) \pm 20% (ESR < 0.1 Ω) capacitor to VSS.
VDD12	41		1.2 V Power For HSIC pads and buffers
VDD33	5 12 16 25 34 48		3.3 V Power and Regulator Input See Chapter 6: DC Parameters on page 51 for more information. Pins 16 and 48 each require an external bypass capacitor of 4.7 μ F minimum.
VSS	ePad		Ground Pad/ePad The package slug is the only VSS for the device and must be tied to ground with multiple vias.

3.4 Buffer Type Descriptions

Table 3.3 USB4640/USB4640i Buffer Type Descriptions

BUFFER	DESCRIPTION
I	Input.
I/O	Input/output
IPU	Input with weak internal pull-up
IS	Input with Schmitt trigger
I/O6	Input/output buffer with 6 mA sink and 6 mA source
I/OD6PU	Input/open drain output buffer with a 6 mA sink
O8	Output buffer with an 8 mA sink and an 8 mA source
O8PD	Output buffer with an 8 mA sink and an 8 mA source with a weak internal pull-down resistor
O8PU	Output buffer with an 8 mA sink and an 8 mA source with a weak internal pull-up resistor
I/O8	Input/output buffer with an 8 mA sink and an 8 mA source

Table 3.3 USB4640/USB4640i Buffer Type Descriptions (continued)

BUFFER	DESCRIPTION
I/O8PD	Input/output buffer with an 8 mA sink and an 8 mA source with a weak internal pull-down resistor
I/O8PU	Input/output buffer with an 8 mA sink and an 8 mA source with a weak internal pull-up resistor
O12	Output buffer with a 12 mA sink and a 12 mA source
I/O12	Input/output buffer with 12 mA sink and 12 mA source
I/O12PD	Input/output buffer with 12 mA sink and 12 mA source with a weak internal pull-down resistor
I/O200	Input/output buffer 12 mA with FET disabled, 100/200 mA source only when the FET is enabled
ICLKx	XTAL clock input
OCLKx	XTAL clock output
I/O-U	Analog input/output as defined in the <i>USB 2.0 Specification</i>
I-R	RBIAS

Datasheet

3.5 Port Power Control

3.5.1 Port Power Control Using a USB Power Switch

The USB4640/USB4640i has a single port power control and over-current sense signal for each downstream port. When disabling port power, the driver will actively drive a 0. To avoid unnecessary power dissipation, the internal pull-up resistor will be disabled at that time. When port power is enabled, the output driver is disabled, and the pull-up resistor is enabled creating an open drain output.

If there is an over-current situation, the USB Power Switch will assert the open drain OCS signal. The Schmitt trigger input will detect this event as a low. The open drain output does not interfere. The internal over-current sense filter handles the transient conditions, such as low voltage, while the device is powering up.

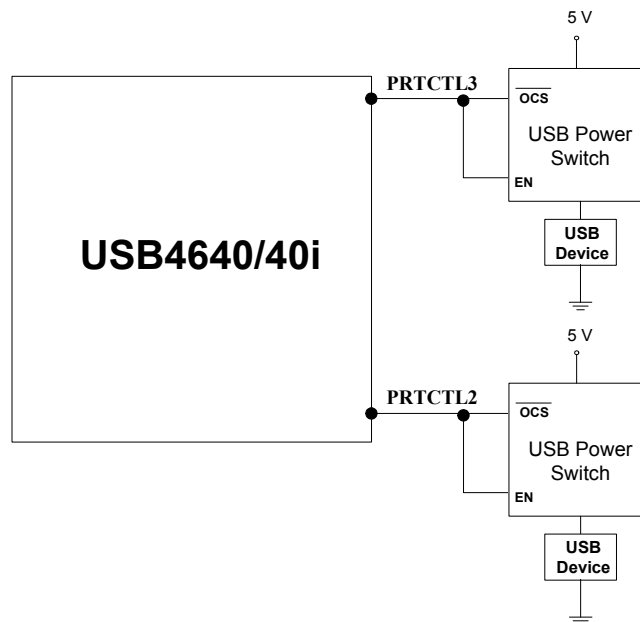


Figure 3.2 Port Power Control with USB Power Switch

3.5.2 Port Power Control Using a Poly Fuse

When using the USB4640/USB4640i with a poly fuse, an external diode must be used (see [Figure 3.3](#)). When disabling port power, the USB4640/USB4640i will drive a 0. This procedure will have no effect since the external diode will isolate the pin from the load. When port power is enabled, the USB4640/USB4640i output driver is disabled, and the pull-up resistor is enabled which creates an open drain output. This open drain output condition means that the pull-up resistor is providing 3.3 volts to the anode of the diode. If there is an over-current situation, the poly fuse will open. This will cause the cathode of the diode to go to zero volts. The anode of the diode will be at 0.7 volts, and the

Schmitt trigger input will register this as a low resulting in an over-current detection. The open drain output does not interfere.

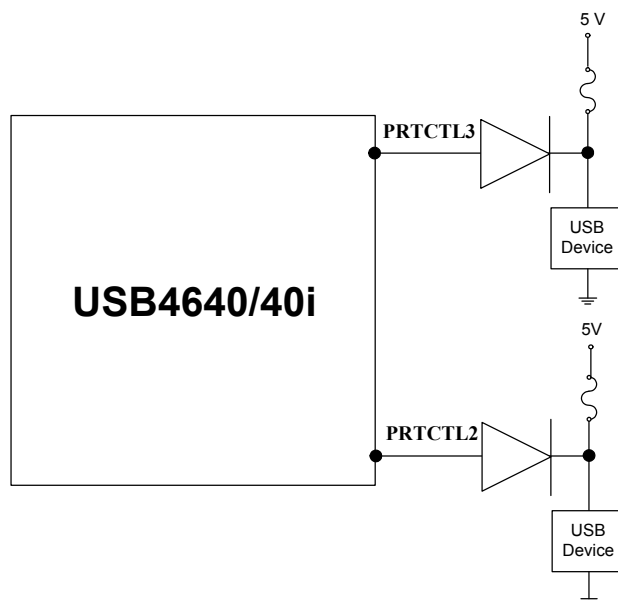


Figure 3.3 Port Power Control with a Single Poly Fuse and Multiple Loads

When using a single poly fuse to power all devices, note that for the ganged situation, all power control pins must be tied together.

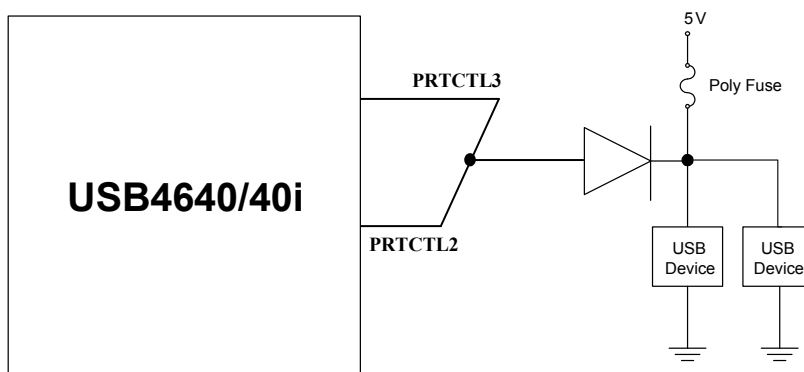


Figure 3.4 Port Power with Ganged Control with Poly Fuse

3.6 ROM BOOT Sequence

After power-on reset, the internal firmware checks for an external SPI flash device that contains a valid signature of *2DFU* (device firmware upgrade) beginning at address 0xFFFFA. If a valid signature is found, then the external ROM is enabled and code execution begins at address 0x0000 in the external SPI device. Otherwise, code execution continues from the internal ROM.

If there is no SPI ROM detected, the internal firmware then checks for the presence of an I²C ROM. The firmware looks for the signature *ATA2* at the offset of FCh-FFh and *ecf1* at the offset of 17Ch-17Fh in the I²C ROM. The firmware reads in the I²C ROM to configure the hardware and software internally. Please refer to [Section 4.3.2: EEPROM Data Descriptor on page 26](#) for the details of the configuration options.

The SPI ROM required for the USB4640/USB4640i is a recommended minimum of 1 Mb and support either 30 MHz or 60 MHz. The frequency used is set using the *SPI_SPD_SEL*. For 30 MHz operation, this pin must be pulled to ground through a 100 kΩ resistor. For 60 MHz operation, this pin must be pulled up through a 100 kΩ resistor.

Datasheet

The **SPI_SPD_SEL** pin is used to choose the speed of the SPI interface. During **nRESET** assertion, this pin will be tri-stated with the weak pull-down resistor enabled. When **nRESET** is negated, the value on the pin will be internally latched, and the pin will revert to **SPI_DO** functionality. The internal pull-down will be disabled.

The firmware can determine the speed of operation on the SPI port by checking the **SPI_CTL.SPI_SPEED** bit (0x2400 - RESET = 0x02). Both 1- and 2-bit SPI operation is supported. For optimum throughput, a 2-bit SPI ROM is recommended. Both mode 0 and mode 3 SPI ROMs are also supported.

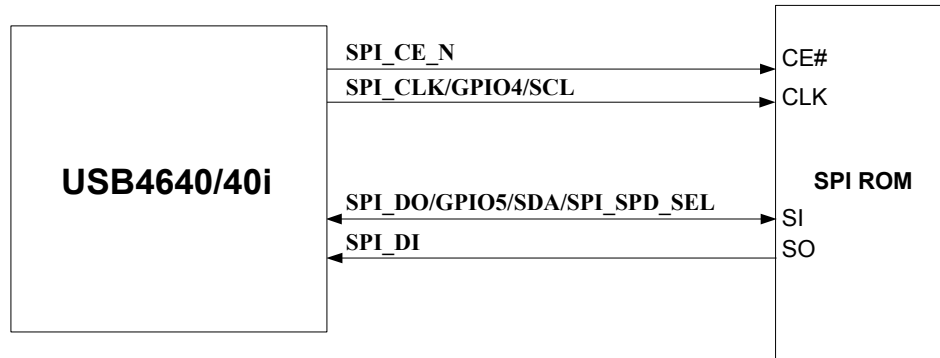


Figure 3.5 SPI ROM Connection

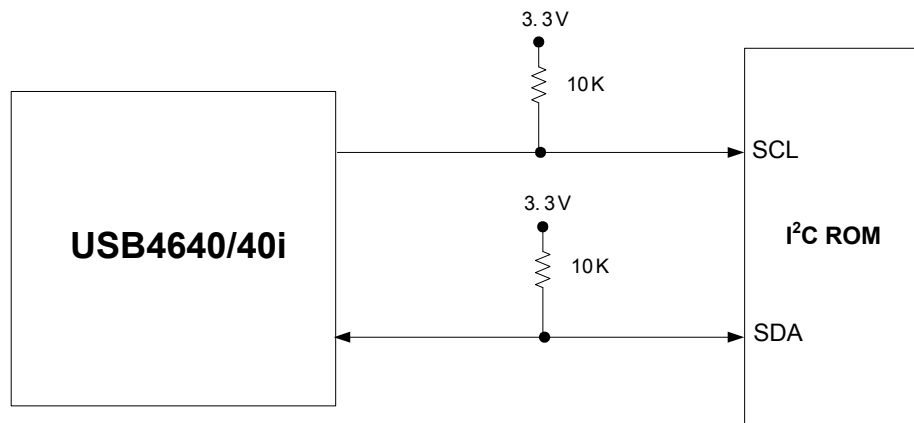


Figure 3.6 I²C Connection

3.7 Pin Reset States

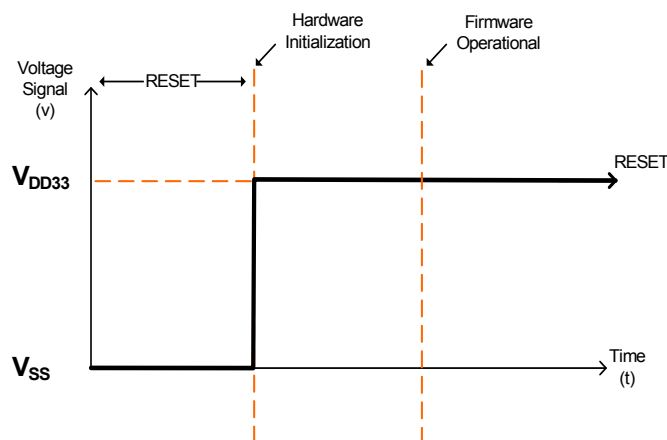


Figure 3.7 Pin Reset States

Table 3.4 Legend for Pin Reset States Table

SYMBOL	DESCRIPTION
0	Output driven low
1	Output driven high
IP	Input enabled
PU	Hardware enables pull-up
PD	Hardware enables pull-down
none	Hardware disables pad
--	Hardware disables function
Z	Hardware disables pad. Both output driver and input buffers are disabled.

Table 3.5 USB4640/USB4640i Reset States Table

PIN	PIN NAME	RESET STATE		
		FUNCTION	INPUT/ OUTPUT	PU/ PD
1	USBDN_DM2	USBDN_DM2	IP	PD
2	USBDN_DP2	USBDN_DP2	IP	PD
3	USBDN_DM3	USBDN_DM3	IP	PD
4	USBDN_DP3	USBDN_DP3	IP	PD
6	PRTCTL2	PRTCTL	0	--
7	PRTCTL3	PRTCTL	0	--
8	SPI_CE_n	SPI_CE_n	1	--
9	SPI_CLK/GPIO4/SCL	GPIO	0	--
10	SPI_DO/GPIO5/SDA/SPI_SPD_SEL	GPIO	0	--
11	SPI_DI	SPI_DI	IP	PD
13	GPIO6/SD_WP/MS_SCLK/xD_D4	GPIO	0	--
14	GPIO15/SD_nCD	GPIO	IP	PU
17	SD_D1/MS_D5/xD_D3	none	Z	--
18	SD_D0/MS_D4/xD_D2	none	Z	--
19	SD_D7/MS_D6/xD_D1	none	Z	--

Datasheet

Table 3.5 USB4640/USB4640i Reset States Table (continued)

PIN	PIN NAME	RESET STATE		
		FUNCTION	INPUT/ OUTPUT	PU/ PD
20	SD_D6/MS_D7/xD_D0	none	Z	--
21	SD_CLK/MS_BS/xD_nWP	none	Z	--
22	xD_nWE	xD_nWE	Z	--
23	SD_D5/MS_D1/xD_ALE	none	Z	--
24	SD_CMD/MS_D0/xD_CLE	none	Z	--
26	xD_nCE	xD_nCE	Z	--
27	xD_nRE	xD_nRE	Z	--
28	xD_nB/R	xD_nB/R	Z	--
29	GPIO14/xD_nCD	GPIO	IP	PU
30	SD_D4/MS_D2/xD_D7	none	Z	--
31	GPIO12/MS_INS	GPIO	IP	PU
32	SD_D3/MS_D3/xD_D6	none	Z	--
33	SD_D2/xD_D5	none	Z	--
35	GPIO10 (CRD_PWR)	GPIO	Z	--
36	GPIO2/RXD	GPIO	0	--
37	GPIO1/LED/TXD	GPIO	0	--
38	nRESET	nRESET	IP	--
39	HSIC_IMP	HSIC_IMP	Z	--
40	TEST	TEST	IP	PD
42	HSIC_DAT	HSIC_DAT	IP	--
43	HSIC_STROBE	HSIC_STROBE	IP	--

Chapter 4 Configuration Options

4.1 Hub

SMSC's USB 2.0 hub is fully compliant to the *Universal Serial Bus Specification* [1].

The hub provides 1 transaction translator (TT) that is shared by both downstream ports defined as a single-TT configuration. The TT contains 4 non-periodic buffers. The hub supports a large number of features (some are mutually exclusive), and must be configured in order to correctly function when attached to a USB host controller. There are two principal ways to configure the hub:

- Internal default settings
- External EEPROM or SPI Flash device

Note: See Chapter 11 (Hub Specification) of the USB specification for general details regarding hub operation and functionality.

4.2 Card Reader

The SMSC USB4640/USB4640i is fully compliant with the following flash media card reader specifications:

- Secure Digital 2.0/MultiMediaCard 4.2
 - SD 2.0, HS-SD, HC-SD
 - TransFlash™ and reduced form factor media
 - 1/4/8 bit MMC 4.2
- Memory Stick 1.43
- Memory Stick Pro Format 1.02
- Memory Stick Pro-HG Duo Format 1.01
 - Memory Stick, MS Duo, HS-MS, MS Pro-HG, MS Pro
- Memory Stick Duo 1.10
- xD-Picture Card 1.2

4.3 System Configurations

4.3.1 EEPROM/SPI Interface

The USB4640/USB4640i can be configured via a 2-wire I²C EEPROM (512x8) or an external SPI flash device containing the USB4640/USB4640i firmware. If an external configuration device does not exist the internal default values will be used. If one of the external devices is used for configuration, the USB4640/USB4640i values can be updated through the USB interface. The hub will then attach to the upstream USB host.

The USBDM tool set is available in the USB264x Hub Card reader combo software release package. To download the software package from SMSC's website, visit:

- https://www2.smSC.com/mkt/CW_SFT_PUB.nsf/Agreements/OBJ+Hub+Card+Reader

Review the license and select the *I agree* checkbox, followed by the *Confirm* button. Download the *USB264x Hub Card reader combo Release Package* zip file with the USBDM tool set will then be available for download.

Datasheet

4.3.2 EEPROM Data Descriptor**Table 4.1 Internal Flash Media Controller Configurations**

ADDRESS	REGISTER NAME	DESCRIPTION	INTERNAL DEFAULT VALUE
00h	USB_SER_LEN	USB Serial String Descriptor Length	1Ah
01h	USB_SER_TYP	USB Serial String Descriptor Type	03h
02h-19h	USB_SER_NUM	USB Serial Number	000008264001 (Note 4.1)
1Ah-1Bh	USB_VID	USB Vendor Identifier	0424
1Ch-1Dh	USB_PID	USB Product Identifier	4040
1Eh	USB_LANG_LEN	USB Language String Descriptor Length	04h
1Fh	USB_LANG_TYP	USB Language String Descriptor Type	03h
20h	USB_LANG_ID_LSB	USB Language Identifier Least Significant Byte	09h (Note 4.3)
21h	USB_LANG_ID_MSB	USB Language Identifier Most Significant Byte	04h (Note 4.3)
22h	USB_MFR_STR_LEN	USB Manufacturer String Descriptor Length	10h
23h	USB_MFR_STR_TYP	USB Manufacturer String Descriptor Type	03h
24h-31h	USB_MFR_STR	USB Manufacturer String	Generic (Note 4.1)
32h-5Dh	rsvd		00h
5Eh	USB_PRD_STR_LEN	USB Product String Descriptor Length	30h
5Fh	USB_PRD_STR_TYP	USB Product String Descriptor Type	03h
60h-99h	USB_PRD_STR	USB Product String	Ultra Fast Media Reader — (Note 4.1)
9Ah	USB_BM_ATT	USB BmAttribute	80h
9Bh	USB_MAX_PWR	USB Max Power	30h (96 mA)
9Ch	ATT_LB	Attribute Lo byte	40h (reverse SD_WP only)
9Dh	ATT_HLB	Attribute Hi Lo byte	80h (reverse SD2_WP only)
9Eh	ATT_LHB	Attribute Lo Hi byte	00h
9Fh	ATT_HB	Attribute Hi byte	00h
A0h	MS_PWR_LB	Memory Stick Device Power Lo byte	00h
A1h	MS_PWR_HB	Memory Stick Device Power Hi byte	0Ah

Table 4.1 Internal Flash Media Controller Configurations (continued)

ADDRESS	REGISTER NAME	DESCRIPTION	INTERNAL DEFAULT VALUE
A2h-A3h	N/A		00h
A4h	SM_PWR_LB	Smart Media Device Power Lo byte	00h (Note 4.2)
A5h	SM_PWR_HB	Smart Media Device Power Hi byte	0Ah (Note 4.2)
A6h	SD_PWR_LB	Secure Digital Device Power Lo byte	00h
A7h	SD_PWR_HB	Secure Digital Device Power Hi byte	0Ah
A8h	LED_BLK_INT	LED Blink Interval	02h
A9h	LED_BLK_DUR	LED Blink After Access	28h
AAh - B0h	DEV0_ID_STR	Device 0 Identifier String	N/A
B1h - B7h	DEV1_ID_STR	Device 1 Identifier String	MS
B8h - BEh	DEV2_ID_STR	Device 2 Identifier String	SM (Note 4.2)
BFh - C5h	DEV3_ID_STR	Device 3 Identifier String	SD/MMC
C6h - CDh	INQ_VEN_STR	Inquiry Vendor String	Generic
CEh - D2h	INQ_PRD_STR	Inquiry Product String	82640
D3h	DYN_NUM_LUN	Dynamic Number of LUNs	01h
D4h - D7h	DEV_LUN_MAP	Device to LUN Mapping	FFh, 00h, 00h, 00h
D8h - DAh	rsvd		00h, 06h, 0Dh
DBh - DDh	rsvd		59h, 56h, 97h

Note 4.1 This value is a UNICODE UTF-16LE encoded string value that meets the *USB 2.0 Specification* [1].

Note 4.2 A value of SM will be overridden with xD once an xD-Picture Card has been identified.

Note 4.3 Current 16-bit language ID's are defined by the USB-IF, see *The Unicode Standard, Worldwide Character Encoding* [4].

Table 4.2 Hub Controller Configurations

ADDRESS	REGISTER NAME	DESCRIPTION	INTERNAL DEFAULT VALUE
DEh	VID_LSB	Vendor ID Least Significant Byte	24h
DFh	VID_MSB	Vendor ID Most Significant Byte	04h
E0h	PID_LSB	Product ID Least Significant Byte	40h
E1h	PID_MSB	Product ID Most Significant Byte	26h
E2h	DID_LSB	Device ID Least Significant Byte	A1h
E3h	DID_MSB	Device ID Most Significant Byte	08h

Datasheet

Table 4.2 Hub Controller Configurations

ADDRESS	REGISTER NAME	DESCRIPTION	INTERNAL DEFAULT VALUE
E4h	CFG_DAT_BYT1	Configuration Data Byte 1	8Bh
E5h	CFG_DAT_BYT2	Configuration Data Byte 2	28h
E6h	CFG_DAT_BYT3	Configuration Data Byte 3	00h
E7h	NR_DEVICE	Non-Removable Devices	02h
E8h	PORT_DIS_SP	Port Disable (Self)	00h
E9h	PORT_DIS_BP	Port Disable (Bus)	00h
EAh	MAX_PWR_SP	Max Power (Self)	01h
EBh	MAX_PWR_BP	Max Power (Bus)	32h
ECh	HC_MAX_C_SP	Hub Controller Max Current (Self)	01h
EDh	HC_MAX_C_BP	Hub Controller Max Current (Bus)	32h
EEh	PWR_ON_TIME	Power-on Time	32h
EFh	BOOST_UP	Boost_Up	00h
F0h	BOOST_3:0	Boost_3:0	00h
F1h	PRT_SWP	Port Swap	00h
F2h	PRTM12	Port Map 12	00h
F3h	PRTM3	Port Map 3	00h

Table 4.3 Other Internal Configurations

ADDRESS	REGISTER NAME	DESCRIPTION	INTERNAL DEFAULT VALUE
F4h	rsvd		00h
F5h	rsvd		66h
F6h	rsvd		00h
F7-FAh	N/A		N/A
FBh	N/A		00h
FCh-FFh	NVSTORE_SIG	Non-Volatile Storage Signature	ATA2

4.4 Internal Flash Media Controller Extended Configurations

Set bit 7 of bmAttribute to enable these extended configuration registers.

Table 4.4 Internal Flash Media Controller Extended Configurations

ADDRESS	REGISTER NAME	DESCRIPTION	INTERNAL DEFAULT VALUE
100h - 106h	CLUN0_ID_STR	Combo LUN 0 Identifier String	COMBO
107h- 129h	N/A		N/A

Table 4.4 Internal Flash Media Controller Extended Configurations (continued)

ADDRESS	REGISTER NAME	DESCRIPTION	INTERNAL DEFAULT VALUE
12Ah-145h	N/A		00h
146h	N/A		01h
147h - 14Bh	N/A		01h, FFh, FFh, FFh, FFh
14Ch	N/A		0Ah
14Dh-17Bh	N/A		00h
17Ch-17Fh	NVSTORE_SIG2	Non-Volatile Storage Signature	ecf1

4.4.1 EEPROM Data Descriptor Register Descriptions

4.4.1.1 00h: USB Serial String Descriptor Length

BYTE	NAME	DESCRIPTION
0	USB_SER_LEN	USB serial string descriptor length as defined by Section 9.6.7: <i>String</i> of the <i>USB 2.0 Specification</i> [1]. This field is the <i>bLength</i> , which describes the size of the string descriptor (in bytes).

4.4.1.2 01h: USB Serial String Descriptor Type

BYTE	NAME	DESCRIPTION
1	USB_SER_TYP	USB serial string descriptor type as defined by Section 9.6.7: <i>String</i> of the <i>USB 2.0 Specification</i> [1]. This field is the <i>bDescriptorType</i> , a constant value associated with a string descriptor type.

4.4.1.3 02h-19h: USB Serial Number Option

BYTE	NAME	DESCRIPTION
25:2	USB_SER_NUM	Maximum string length is 12 hex digits. Must be unique to each device.

4.4.1.4 1Ah-1Bh: USB Vendor ID Option

BYTE	NAME	DESCRIPTION
1:0	USB_VID	This ID is unique for every vendor. The vendor ID is assigned by the USB Implementer's Forum.

4.4.1.5 1Ch-1Dh: USB Product ID Option

BYTE	NAME	DESCRIPTION
1:0	USB_PID	The product ID: assigned by the vendor; unique for every product.

Datasheet

4.4.1.6 1Eh: USB Language Identifier Descriptor Length

BYTE	NAME	DESCRIPTION
0	USB_LANG_LEN	USB language ID string descriptor length as defined by Section 9.6.7: <i>String of the USB 2.0 Specification [1]</i> . This field is the <i>bLength</i> , which describes the size of the string descriptor (in bytes).

4.4.1.7 1Fh: USB Language Identifier Descriptor Type

BYTE	NAME	DESCRIPTION
1	USB_LANG_TYP	USB language ID string descriptor type as defined by Section 9.6.7: <i>String of the USB 2.0 Specification [1]</i> . This field is the <i>bDescriptorType</i> , a constant value associated with a string descriptor type.

4.4.1.8 20h: USB Language Identifier Least Significant Byte

BYTE	NAME	DESCRIPTION
2	USB_LANG_ID_LSB	English language code = 0409. See Note 4.3 for additional language IDs defined by the USB-IF.

4.4.1.9 21h: USB Language Identifier Most Significant Byte

BYTE	NAME	DESCRIPTION
3	USB_LANG_ID_MSB	English language code = 0409. See Note 4.3 for additional language IDs defined by the USB-IF.

4.4.1.10 22h: USB Manufacturer String Descriptor Length

BYTE	NAME	DESCRIPTION
0	USB_MFR_STR_LEN	USB manufacturer string descriptor length as defined by Section 9.6.7 <i>String of the USB 2.0 Specification [1]</i> . This field is the <i>bLength</i> which describes the size of the string descriptor (in bytes).

4.4.1.11 23h: USB Manufacturer String Descriptor Type

BYTE	NAME	DESCRIPTION
1	USB_MFR_STR_TYP	USB manufacturer string descriptor type as defined by Section 9.6.7 <i>String of the USB 2.0 Specification [1]</i> . This field is the <i>bDescriptorType</i> , a constant value associated with a string descriptor type.

4.4.1.12 24h-31h: USB Manufacturer String Option

BYTE	NAME	DESCRIPTION
15:2	USB_MFR_STR	The maximum string length is 28 characters.

4.4.1.13 32h-5Dh: Reserved

BYTE	NAME	DESCRIPTION
59:16	rsvd	

4.4.1.14 5Eh: USB Product String Descriptor Length

BYTE	NAME	DESCRIPTION
0	USB_PRD_STR_LEN	USB product string descriptor length as defined by Section 9.6.7 <i>String</i> of the <i>USB 2.0 Specification [1]</i> . This field is the <i>bLength</i> , which describes the size of the string descriptor (in bytes).

4.4.1.15 5Fh: USB Product String Descriptor Type

BYTE	NAME	DESCRIPTION
1	USB_PRD_STR_TYP	USB product string descriptor type as defined by Section 9.6.7 <i>String</i> of the <i>USB 2.0 Specification [1]</i> . This field is the <i>bDescriptorType</i> , a constant value associated with a string descriptor type.

4.4.1.16 60h-99h: USB Product String Option

BYTE	NAME	DESCRIPTION
59:2	USB_PRD_STR	This string will be used during the USB enumeration process in the Windows® operating system. Maximum string length is 28 characters.

4.4.1.17 9Ah: USB BmAttribute (1 Byte)

BIT	NAME	DESCRIPTION
7:0	USB_BM_ATT	<p>Self- or Bus-Power: selects between self- and bus-powered operation.</p> <p>The hub is either self-powered (draws less than 2 mA) or bus-powered (limited to 100 mA maximum power prior to being configured by the host controller).</p> <p>When configured as a bus-powered device, the hub consumes less than 100 mA of current prior to being configured. After configuration, the bus-powered SMSC hub (along with all associated hub circuitry, any embedded devices if part of a compound device, and 100 mA per externally available downstream port) must consume no more than 500 mA of current. The current consumption is system dependent and must follow the <i>USB 2.0 Specification</i> requirements.</p> <p>When configured as a self-powered device, <1 mA of current is consumed and all ports are available, with each port being capable of sourcing 500 mA of current.</p> <p>80 : (default) Bus-powered operation C0 : Self-powered operation A0 : Bus-powered operation with remote wake-up E0 : Self-powered operation with remote wake-up</p>

Datasheet

4.4.1.18 9Bh: USB MaxPower (1 Byte)

BIT	NAME	DESCRIPTION
7:0	USB_MAX_PWR	USB Max Power per the <i>USB 2.0 Specification</i> [1]. Do NOT set this value greater than 100 mA.

4.4.1.19 9Ch-9Fh: Attribute Byte Descriptions

BYTE	BYTE NAME	BIT	DESCRIPTION
0	ATT_LB	3:0	Always read as 0
		4	Inquire Manufacturer and Product ID Strings 1 : use the Inquiry Manufacturer and Product ID Strings 0 : (default) use the USB Descriptor Manufacturer and Product ID Strings
		5	Always read as 0
		6	Reverse SD Card Write Protect Sense 1 : (default) SD cards will be write protected when SW_nWP is high, and writable when SW_nWP is low. 0 : SD cards will be write protected when SW_nWP is low, and writable when SW_nWP is high.
		7	Extended Configuration Enable 1 : enables editing, updating, and reading from registers 100h-17Fh. 0 : internal configuration is loaded, where it will not read from registers 100h-17Fh.
1	ATT_HLB	3:0	Always read as 0
		4	Activity LED True Polarity 1 : activity LED to low true 0 : (default) - activity LED polarity to high true
		5	Common Media Insert/Media Activity LED 1 : activity LED will function as a common media inserted/media access LED. 0 : (default) - activity LED will remain in its idle state until media is accessed.
		6	Always read as 0
		7	Reverse SD2 Card Write Protect Sense 1 : (default) - SD cards in LUN 1 will be write protected when SW_nWP is high, and writable when SW_nWP is low. 0 : SD cards in LUN 1 will be write protected when SW_nWP is low, and writable when SW_nWP is high.

BYTE	BYTE NAME	BIT	DESCRIPTION
2	ATT_LHB	0	Attach on Card Insert/Detach on Card Removal 1 : attach on insert is enabled 0 : (default) - attach on insert is disabled
		1	Always read as 0
		2	Enable Device Power Configuration 1 : Custom Device Power Configuration stored in the NVSTORE is used 0 : (default) - Default Device Power Configuration is used
		7:3	Always read as 0
3	ATT_HB	6:0	Always read as 0
		7	xD Player Mode

4.4.2 A0h-A7h: Device Power Configuration

The USB4640/USB4640i has one internal FET which can be utilized for card power. This section describes the default internal configuration. The settings are stored in **NVSTORE** and provide the following features:

1. A card can be powered by an external FET or by an internal FET.
2. The power limit can be set to 100 mA or 200 mA (default) for the internal FET.

Each media uses two bytes to store its device power configuration. Bit 3 selects between internal or external card power FET options. For internal FET card power control, bits 0 through 2 are used to set the power limit. The *Device Power Configuration* bits are ignored unless the Enable Device Power Configuration bit is set. See [Section 4.4.1.19 on page 32](#).

4.4.2.1 A0h-A1h: Memory Stick Device Power Configuration

FET	NAME	BITS	BIT TYPE	DESCRIPTION
0	MS_PWR_LB	3:0	Low Nibble	FET Lo Byte
1		7:4	High Nibble	0000 : disabled
2	MS_PWR_HB	3:0	Low Nibble	FET Hi Byte 0000 : disabled 0001 : external FET enabled 1000 : internal FET - 100 mA power limit 1010 : (default) internal FET - 200 mA power limit
3		7:4	High Nibble	0000 : disabled

4.4.2.2 A2h-A3h: Not Applicable

BYTE	NAME	DESCRIPTION
1:0	N/A	

Datasheet

4.4.2.3 A4h-A5h: Smart Media Device Power Configuration

FET	NAME	BITS	BIT TYPE	DESCRIPTION
0	SM_PWR_LB	3:0	Low Nibble	FET Lo Byte: 0000 : disabled
1		7:4	High Nibble	
2	SM_PWR_HB	3:0	Low Nibble	FET Hi Byte 0000 : disabled 0001 : external FET enabled 1000 : internal FET - 100 mA power limit 1010 : (default) internal FET - 200 mA power limit
3		7:4	High Nibble	

4.4.2.4 A6h-A7h: Secure Digital Device Power Configuration

FET	NAME	BITS	BIT TYPE	DESCRIPTION
0	SD_PWR_LB	3:0	Low Nibble	FET Lo Byte: 0000 : disabled
1		7:4	High Nibble	
2	SD_PWR_HB	3:0	Low Nibble	FET Hi Byte 0000 : disabled 0001 : external FET enabled 1000 : internal FET - 100 mA power limit 1010 : (default) internal FET - 200 mA power limit
3		7:4	High Nibble	

4.4.2.5 A8h: LED Blink Interval

BYTE	NAME	DESCRIPTION
0	LED_BK_INT	The blink rate is programmable in 50 ms intervals. The high bit (7) indicates an idle state: 0 : off 1 : on The remaining bits (6:0) are used to determine the blink interval up to a max of 128 x 50 ms.

4.4.2.6 A9h: LED Blink Duration

BYTE	NAME	DESCRIPTION
1	LED_BK_DUR	LED Blink After Access: designates the number of seconds that the GPIO1 LED will continue to blink after a drive access. Setting this byte to 05 will cause the GPIO 1 LED to blink for 5 seconds after a drive access.

4.4.3 Device ID Strings

These bytes are used to specify the LUN descriptor returned by the device. These bytes are used in combination with the device to LUN mapping bytes in applications where the LUNs need to be reordered and renamed. If multiple devices are mapped to the same LUN (a COMBO LUN), then the **CLUN#_ID_STR** will be used to name the COMBO LUN instead of the individual device strings. When applicable, the **SM** value will be overridden with **xD** once an xD-Picture Card has been identified.

4.4.3.1 AAh-B0h: Device 0 Identifier String

BYTE	NAME	DESCRIPTION
6:0	DEV0_ID_STR	N/A

4.4.3.2 B1h-B7h: Device 1 Identifier String

BYTE	NAME	DESCRIPTION
6:0	DEV1_ID_STR	ID string is associated with the Memory Stick device

4.4.3.3 B8h-BEh: Device 2 Identifier String

BYTE	NAME	DESCRIPTION
6:0	DEV2_ID_STR	ID string is associated with the Smart Media (Note 4.2) device

4.4.3.4 BFh-C5h: Device 3 Identifier String

BYTE	NAME	DESCRIPTION
6:0	DEV3_ID_STR	ID string is associated with the Secure Digital/MultiMediaCard device

4.4.3.5 C6h-CDh: Inquiry Vendor String

BYTE	NAME	DESCRIPTION
7:0	INQ_VEN_STR	If bit 4 of the first attribute byte is set, the device will use these strings in response to a USB inquiry command, instead of the USB descriptor manufacturer and product ID strings.

4.4.3.6 CEh-D2h: Inquiry Product String

BYTE	NAME	DESCRIPTION
4:0	INQ_PRD_STR	If bit 4 of the first attribute byte is set, the device will use these strings in response to a USB inquiry command, instead of the USB descriptor manufacturer and product ID strings.

Datasheet

4.4.3.7 D3h: Dynamic Number of LUNs

BIT	NAME	DESCRIPTION
7:0	DYN_NUM_LUN	<p>These bytes are used to specify the number of LUNs the device exposes to the host. These bytes are also used for icon sharing by assigning more than one LUN to a single icon. This is used in applications where the device utilizes a combo socket with only a single icon displayed for one or more interfaces.</p> <p>If this field is set to FF, the program assumes that you are using the default value and icons will be configured per the default configuration.</p>

4.4.3.8 D4h-D7h: Device to LUN Mapping

BYTE	NAME	DESCRIPTION
3:0	DEV_LUN_MAP	<p>These registers map a device controller (SD/MMC, SM (Note 4.2), and MS) to a Logical Unit Number (LUN). The device reports the mapped LUNs to the USB host in the USB descriptor during enumeration. The icon installer associates custom icons with the LUNs specified in these fields.</p> <p>Setting a register to FF indicates that the device is not mapped. Setting all of the DEV_LUN_MAP registers for all devices to FF forces the use of the default mapping configuration. Not all configurations are valid. Valid configurations depend on the hardware, packaging, and the board layout. The number of unique LUNs mapped must match the value in the Section 4.4.3.7 on page 36.</p>

4.4.3.9 D8h-DDh: Reserved

BYTE	NAME	DESCRIPTION
2:0	rsvd	

4.4.4 Hub Controller Configurations**4.4.4.1 DEh: Vendor ID (LSB)**

BIT	BYTE NAME	DESCRIPTION
7:0	VID_LSB	Least Significant Byte of the Vendor ID: a unique 16-bit value that identifies the vendor of the user device (assigned by USB Implementer's Forum).

4.4.4.2 DFh: Vendor ID (MSB)

BIT	BYTE NAME	DESCRIPTION
7:0	VID_MSB	Most Significant Byte of the Vendor ID: a unique 16-bit value that identifies the vendor of the user device (assigned by USB Implementer's Forum).

4.4.4.3 E0h: Product ID (LSB)

BIT	NAME	DESCRIPTION
7:0	PID_LSB	Least Significant Byte of the Product ID: a unique 16-bit value that identifies a particular product (vender assigned).

4.4.4.4 E1h: Product ID (MSB)

BIT	NAME	DESCRIPTION
7:0	PID_MSB	Most Significant Byte of the Product ID. a unique 16-bit value that identifies a particular product (vender assigned).

4.4.4.5 E2h: Device ID (LSB)

BIT	NAME	DESCRIPTION
7:0	DID_LSB	Least Significant Byte of the Device ID: a 16-bit device release number in BCD (binary coded decimal) format.

4.4.4.6 E3h: Device ID (MSB)

BIT	NAME	DESCRIPTION
7:0	DID_MSB	Most Significant Byte of the Device ID: a 16-bit device release number in BCD format.

4.4.4.7 E4h: Configuration Data Byte 1 (CFG_DAT_BYT1)

BIT	NAME	DESCRIPTION
7	SELF_BUS_PWR	<p>Self- or Bus-Power: Selects between self- and bus-powered operation.</p> <p>The hub is either self-powered (draws less than 2 mA) or bus-powered (limited to 100 mA maximum power prior to being configured by the host controller).</p> <p>When configured as a bus-powered device, the SMSC hub consumes less than 100 mA of current prior to being configured. After configuration, the bus-powered hub (along with all associated hub circuitry, any embedded devices if part of a compound device, and 100 mA per externally available downstream port) must consume no more than 500 mA of current. The current consumption is system dependent, and the USB 2.0 specifications must not be violated.</p> <p>When configured as a self-powered device, <1 m A of current is consumed and all ports are available, with each port being capable of sourcing 500 mA of current.</p> <p>0 : Bus-powered operation 1 : Self-powered operation</p>
6:3	rsvd	

Datasheet

BIT	NAME	DESCRIPTION
2:1	CURRENT_SNS	<p>Over-Current Sense</p> <p>Selects current sensing on a port-by-port basis, all ports ganged, or none (only for bus-powered hubs). The ability to support current sensing on a per port or ganged basis is dependent upon the hardware implementation.</p> <p>00 : Ganged sensing (all ports together) 01 : individual (port-by-port) 1x : over-current sensing not supported (must only be used with bus-powered configurations)</p>
0	PORT_PWR	<p>Port Power Switching</p> <p>Enables power switching on all ports simultaneously (ganged), or port power is individually switched on and off on a port-by-port basis (individual). The ability to support power enabling on a port or ganged basis is dependent upon the hardware implementation.</p> <p>0 : ganged switching (all ports together) 1 : individual port-by-port switching</p>

4.4.4.8 E5h: Configuration Data Byte 2 (CFG_DAT_BYT2)

BIT	NAME	DESCRIPTION
7:6	rsvd	
5:4	OC_TIMER	<p>OverCurrent Timer: over-current timer delay</p> <p>00 : 50 ns 01 : 100 ns 10 : 200 ns 11 : 400 ns</p>
3	COMPOUND	<p>Compound Device: allows OEM to indicate that the hub is part of a compound device (per the USB 2.0 Specification). The applicable port(s) must also be defined as having a "non-removable device".</p> <p>When configured via strapping options, declaring a port as non-removable automatically causes the hub controller to report that it is part of a compound device.</p> <p>0 : no 1 : yes, the hub is part of a compound device</p>
2:0	rsvd	

4.4.4.9 E6h: Configuration Data Byte 3 (CFG_DAT_BYT3)

BIT	NAME	DESCRIPTION
7:4	rsvd	
3	PRTMAP_EN	<p>Port Mapping Enable: selects the method used by the hub to assign port numbers and disable ports.</p> <p>0 : Standard Mode. Strap options or the following registers are used to define which ports are enabled, and the ports are mapped as port 'n' on the hub is reported as port 'n' to the host, unless one of the ports is disabled, then the higher numbered ports are remapped in order to report contiguous port numbers to the host.</p> <p>Register 300Ah: Port disable for self-powered operation (Reset = 0x00) Register 300Bh: Port disable for bus-powered operation (Reset = 0x00)</p> <p>1 : Port Map mode. The mode enables remapping via the registers defined below.</p> <p>Register 30FBh: Port Map 12 (Reset = 0x00) Register 30FCh: Port Map 3 (Reset = 0x00)</p>
2:0	rsvd	

4.4.4.10 E7h: Non-Removable Device

BIT	BYTE NAME	DESCRIPTION
7:0	NR_DEVICE	<p>Indicates which port(s) include non-removable devices.</p> <p>0 : Port is removable 1 : Port is non-removable</p> <p>Informs the host if one of the active ports has a permanent device that is undetachable from the hub. The device must provide its own descriptor data.</p> <p>When using the internal default option, NON_REM[1:0] designates the appropriate ports as being non-removable.</p> <p>Bit 7 : rsvd Bit 6 : rsvd Bit 5 : rsvd Bit 4 : rsvd Bit 3 : controls physical port 3 Bit 2 : controls physical port 2 Bit 1 : controls physical port 1 Bit 0 : rsvd</p> <p>Note: Bit 1 must be set to a 1 by the firmware for proper identification of the card reader as a non-removable device.</p>

Datasheet

4.4.4.11 E8h: Port Disable For Self-Powered Operation

BIT	BYTE NAME	DESCRIPTION
7:0	PORT_DIS_SP	<p>Disables 1 or more ports.</p> <p>0 : port is available 1 : port is disabled</p> <p>During self-powered operation this register selects the ports which will be permanently disabled. The ports are unavailable to be enabled or enumerated by a host controller. The ports can be disabled in any order since the internal logic will automatically report the correct number of enabled ports to the USB host and will reorder the active ports in order to ensure proper function.</p> <p>Bit 7 : rsvd Bit 6 : rsvd Bit 5 : rsvd Bit 4 : rsvd Bit 3 : controls physical port 3 Bit 2 : controls physical port 2 Bit 1 : controls physical port 1 Bit 0 : rsvd</p>

4.4.4.12 E9h: Port Disable For Bus-Powered Operation

BIT	BYTE NAME	DESCRIPTION
7:0	PORT_DIS_BP	<p>Disables 1 or more ports.</p> <p>0 : port is available 1 : port is disabled</p> <p>During self-powered operation, this register selects the ports which will be permanently disabled. The ports are unavailable to be enabled or enumerated by a host controller. The ports can be disabled in any order, the internal logic will automatically report the correct number of enabled ports to the USB host and will reorder the active ports in order to ensure proper function.</p> <p>When using the internal default option, PRT_DIS[1:0] disable the appropriate ports.</p> <p>Bit 7 : rsvd Bit 6 : rsvd Bit 5 : rsvd Bit 4 : rsvd Bit 3 : controls physical port 3 Bit 2 : controls physical port 2 Bit 1 : controls physical port 1 Bit 0 : rsvd</p>

4.4.4.13 EAh: Max Power For Self-Powered Operation

BIT	BYTE NAME	DESCRIPTION
7:0	MAX_PWR_SP	<p>Value in 2 mA increments that the hub consumes when operating as a self-powered hub. This value includes the hub silicon along with the combined power consumption of all associated circuitry on the board. This value also includes the power consumption of a permanently attached peripheral if the hub is configured as a compound device, and the embedded peripheral reports 0 mA in its descriptors.</p> <p>Note: Per <i>USB 2.0 Specification</i>: this value cannot exceed 100 mA.</p>

4.4.4.14 EBh: Max Power For Bus-Powered Operation

BIT	BYTE NAME	DESCRIPTION
7:0	MAX_PWR_BP	Value in 2 mA increments that the hub consumes when operating as a bus-powered hub. This value includes the hub silicon along with the combined power consumption of all associated circuitry on the board. This value also includes the power consumption of a permanently attached peripheral if the hub is configured as a compound device, and the embedded peripheral reports 0 mA in its descriptors.

4.4.4.15 ECh: Hub Controller Max Current For Self-Powered Operation

BIT	BYTE NAME	DESCRIPTION
7:0	HC_MAX_C_SP	Value in 2 mA increments that the hub consumes when operating as a self-powered hub. This value includes the hub silicon along with the combined power consumption of all associated circuitry on the board. This value does NOT include the power consumption of a permanently attached peripheral if the hub is configured as a compound device. Note: Per <i>USB 2.0 Specification</i> : this value cannot exceed 100 mA. A value of 50 (decimal) indicates 100 mA, which is the default value.

4.4.4.16 EDh: Hub Controller Max Current For Bus-Powered Operation

BIT	BYTE NAME	DESCRIPTION
7:0	HC_MAX_C_BP	Value in 2 mA increments that the hub consumes when operating as a bus-powered hub. This value will include the hub silicon along with the combined power consumption of all associated circuitry on the board. This value will NOT include the power consumption of a permanently attached peripheral if the hub is configured as a compound device. A value of 50 (decimal) would indicate 100 mA, which is the default value.

4.4.4.17 EEh: Power-On Time

BIT	BYTE NAME	DESCRIPTION
7:0	PWR_ON_TIME	The length of time that it takes (in 2 ms intervals) from the time the host initiated power-on sequence begins on a port until power is adequate on that port. If the host requests the power-on time, the system software uses this value to determine how long to wait before accessing a powered-on port.

Datasheet

4.4.4.18 EFh: Boost_Up

BIT	NAME	DESCRIPTION
7:2	rsvd	
1:0	BOOST_IOUT	<p>USB electrical signaling drive strength boost bit for the upstream port A.</p> <p>00 : Normal electrical drive strength - no boost 01 : Elevated electrical drive strength - low (approximately 4% boost) 10 : Elevated electrical drive strength - medium (approximately 8% boost) 11 : Elevated electrical drive strength - high (approximately 12% boost)</p> <p>Note: Boost could result in non-USB compliant parameters. Therefore, a value of 00 should be implemented unless specific implementation issues require additional signal boosting to correct for degraded USB signalling levels.</p>

4.4.4.19 F0h: Boost_3:0

BIT	NAME	DESCRIPTION
7:6	rsvd	
5:4	BOOST_IOUT_3	<p>Upstream USB electrical signaling drive strength boost bit for downstream port 3.</p> <p>00 : normal electrical drive strength - no boost 01 : elevated electrical drive strength - low (approximately 4% boost) 10 : elevated electrical drive strength - medium (approximately 8% boost) 11 : elevated electrical drive strength - high (approximately 12% boost)</p>
3:2	BOOST_IOUT_2	<p>Upstream USB electrical signaling drive strength boost bit for downstream port 2.</p> <p>00 : normal electrical drive strength - no boost 01 : elevated electrical drive strength - low (approximately 4% boost) 10 : elevated electrical drive strength - medium (approximately 8% boost) 11 : elevated electrical drive strength - high (approximately 12% boost)</p> <p>Note: Boost could result in non-USB compliant parameters. Therefore, a value of 00 should be implemented unless specific implementation issues require additional signal boosting to correct for degraded USB signalling levels.</p>
1:0	rsvd	Always read as 0

4.4.4.20 F1h: Port Swap

BIT	BYTE NAME	DESCRIPTION
7:0	PRT_SWP	<p>Port Swap: swaps the upstream and downstream USB DP and DM pins for ease of board routing to devices and connectors.</p> <p>0 : USB D+ functionality is associated with the DP pin and D- functionality is associated with the DM pin.</p> <p>1 : USB D+ functionality is associated with the DM pin and D- functionality is associated with the DP pin.</p> <p>Bit 7 : rsvd Bit 6 : rsvd Bit 5 : rsvd Bit 4 : rsvd Bit 3 : controls physical port 3 Bit 2 : controls physical port 2 Bit 1 : rsvd Bit 0 : controls physical port 0</p>

Datasheet

4.4.4.21 F2h: Port Map 12

BIT	BYTE NAME	DESCRIPTION																														
7:0	PRTM12	<p>PortMap Register for Ports 1 and 2: when a hub is enumerated by a USB host controller, the hub is only permitted to report how many ports it has; the hub is not permitted to select a numerical range or assignment. The host controller will number the downstream ports of the hub starting with the number 1, up to the number of ports that the hub reports having.</p> <p>The host's port number is called the Logical Port Number and the physical port on the hub is the Physical Port Number. When mapping mode is enabled (see PORTMAP12.PRTMAP_EN) the hub's downstream port numbers can be mapped to different logical port numbers (assigned by the host).</p> <p>Note: Contiguous logical port numbers must be implemented, starting from number 1 up to the maximum number of enabled ports. This ensures that the hub's ports are numbered in accordance with the way a host will communicate with the ports.</p> <table border="1" data-bbox="602 747 1425 1356"> <tbody> <tr> <td data-bbox="602 747 816 800">Bit [7:4]</td> <td data-bbox="816 747 938 800">0000</td> <td data-bbox="938 747 1425 800">Physical port 2 is disabled</td> </tr> <tr> <td data-bbox="602 800 816 852"></td> <td data-bbox="816 800 938 852">0001</td> <td data-bbox="938 800 1425 852">Physical port 2 is mapped to logical port 1</td> </tr> <tr> <td data-bbox="602 852 816 905"></td> <td data-bbox="816 852 938 905">0010</td> <td data-bbox="938 852 1425 905">Physical port 2 is mapped to logical port 2</td> </tr> <tr> <td data-bbox="602 905 816 957"></td> <td data-bbox="816 905 938 957">0011</td> <td data-bbox="938 905 1425 957">Physical port 2 is mapped to logical port 3</td> </tr> <tr> <td data-bbox="602 957 816 1052"></td> <td data-bbox="816 957 938 1052">0100 to 1111</td> <td data-bbox="938 957 1425 1052">Illegal; do not use</td> </tr> <tr> <td data-bbox="602 1052 816 1104">Bit [3:0]</td> <td data-bbox="816 1052 938 1104">0000</td> <td data-bbox="938 1052 1425 1104">Physical port 1 is disabled</td> </tr> <tr> <td data-bbox="602 1104 816 1157"></td> <td data-bbox="816 1104 938 1157">0001</td> <td data-bbox="938 1104 1425 1157">Physical port 1 is mapped to logical port 1</td> </tr> <tr> <td data-bbox="602 1157 816 1209"></td> <td data-bbox="816 1157 938 1209">0010</td> <td data-bbox="938 1157 1425 1209">Physical port 1 is mapped to logical port 2</td> </tr> <tr> <td data-bbox="602 1209 816 1262"></td> <td data-bbox="816 1209 938 1262">0011</td> <td data-bbox="938 1209 1425 1262">Physical port 1 is mapped to logical port 3</td> </tr> <tr> <td data-bbox="602 1262 816 1356"></td> <td data-bbox="816 1262 938 1356">0100 to 1111</td> <td data-bbox="938 1262 1425 1356">Illegal; do not use</td> </tr> </tbody> </table> <p data-bbox="760 1367 1271 1398" style="text-align: center;">Table 4.5 Port Map Register for Ports 1 and 2</p>	Bit [7:4]	0000	Physical port 2 is disabled		0001	Physical port 2 is mapped to logical port 1		0010	Physical port 2 is mapped to logical port 2		0011	Physical port 2 is mapped to logical port 3		0100 to 1111	Illegal; do not use	Bit [3:0]	0000	Physical port 1 is disabled		0001	Physical port 1 is mapped to logical port 1		0010	Physical port 1 is mapped to logical port 2		0011	Physical port 1 is mapped to logical port 3		0100 to 1111	Illegal; do not use
Bit [7:4]	0000	Physical port 2 is disabled																														
	0001	Physical port 2 is mapped to logical port 1																														
	0010	Physical port 2 is mapped to logical port 2																														
	0011	Physical port 2 is mapped to logical port 3																														
	0100 to 1111	Illegal; do not use																														
Bit [3:0]	0000	Physical port 1 is disabled																														
	0001	Physical port 1 is mapped to logical port 1																														
	0010	Physical port 1 is mapped to logical port 2																														
	0011	Physical port 1 is mapped to logical port 3																														
	0100 to 1111	Illegal; do not use																														

4.4.4.22 F3h: Port Map 3

BIT	BYTE NAME	DESCRIPTION																																	
7:0	PRTM3	<p>PortMap Register for Ports 1 and 2: when a hub is enumerated by a USB host controller, the hub is only permitted to report how many ports it has; the hub is not permitted to select a numerical range or assignment. The host controller will number the downstream ports of the hub starting with the number 1, up to the number of ports that the hub reports having.</p> <p>The host's port number is called the Logical Port Number and the physical port on the hub is the Physical Port Number. When mapping mode is enabled (see PORTMAP12.PRTMAP_EN: Configuration Data Byte 3) the hub's downstream port numbers can be remapped to different logical port numbers (assigned by the host).</p> <p>Note: Contiguous logical port numbers must be implemented, starting from number 1 up to the maximum number of enabled ports. This ensures that the hub's ports are numbered in accordance with the way a host will communicate with the ports.</p>																																	
<table border="1"> <thead> <tr> <th>Bit [7:4]</th> <th></th> <th></th> </tr> </thead> <tbody> <tr> <td></td> <td>0000</td> <td>rsvd</td> </tr> <tr> <td></td> <td>0001</td> <td>rsvd</td> </tr> <tr> <td></td> <td>0010</td> <td>rsvd</td> </tr> <tr> <td></td> <td>0011</td> <td>rsvd</td> </tr> <tr> <td></td> <td>0100 to 1111</td> <td>Illegal; do not use</td> </tr> <tr> <th>Bit [3:0]</th> <td>0000</td> <td>Physical port 3 is disabled</td> </tr> <tr> <td></td> <td>0001</td> <td>Physical port 3 is mapped to logical port 1</td> </tr> <tr> <td></td> <td>0010</td> <td>Physical port 3 is mapped to logical port 2</td> </tr> <tr> <td></td> <td>0011</td> <td>Physical port 3 is mapped to logical port 3</td> </tr> <tr> <td></td> <td>0100 to 1111</td> <td>Illegal; do not use</td> </tr> </tbody> </table> <p style="text-align: center;">Table 4.6 Port Map Register for Port 3</p>			Bit [7:4]				0000	rsvd		0001	rsvd		0010	rsvd		0011	rsvd		0100 to 1111	Illegal; do not use	Bit [3:0]	0000	Physical port 3 is disabled		0001	Physical port 3 is mapped to logical port 1		0010	Physical port 3 is mapped to logical port 2		0011	Physical port 3 is mapped to logical port 3		0100 to 1111	Illegal; do not use
Bit [7:4]																																			
	0000	rsvd																																	
	0001	rsvd																																	
	0010	rsvd																																	
	0011	rsvd																																	
	0100 to 1111	Illegal; do not use																																	
Bit [3:0]	0000	Physical port 3 is disabled																																	
	0001	Physical port 3 is mapped to logical port 1																																	
	0010	Physical port 3 is mapped to logical port 2																																	
	0011	Physical port 3 is mapped to logical port 3																																	
	0100 to 1111	Illegal; do not use																																	

4.4.4.23 F4h-F6h: Reserved

BYTE	BYTE NAME	DESCRIPTION
6:0	rsvd	.

Datasheet

4.4.4.24 F7h-FBh: Not Applicable

BIT	BYTE NAME	DESCRIPTION
7:0	N/A	

4.4.4.25 FCh-FFh: Non-Volatile Storage Signature

BYTE	NAME	DESCRIPTION
3:0	NVSTORE_SIG	This signature is used to verify the validity of the data in the first 256 bytes of the configuration area. The signature must be set to ATA2 for USB4640/USB4640i.

4.4.5 Internal Flash Media Controller Extended Configurations

Enable registers 100h-17Fh by setting bit 7 of bmAttribute.

4.4.5.1 100h-106h: Combo LUN 0 Identifier String

BYTE	NAME	DESCRIPTION
6:0	CLUN0_ID_STR	If the device to LUN mapping bytes have configured this LUN to be a combo LUN, then these strings will be used to identify the LUN rather than the device identifier strings.

4.4.5.2 107h-17Bh: Not Applicable

BYTE	NAME	DESCRIPTION
116:0	N/A	

4.4.5.3 17Ch -17Fh: Non-Volatile Storage Signature for Extended Configuration

BYTE	NAME	DESCRIPTION
3:0	NVSTORE_SIG2	This signature is used to verify the validity of the data in the upper 256 bytes if a 512 byte EEPROM is used, otherwise this bank is a read-only configuration area. The signature must be set to <code>ecf1</code> .

4.4.6 I²C EEPROM

The I²C EEPROM interface implements a subset of the I²C Master Specification (refer to *I²C-Bus Specification* [6] for I²C bus protocols). The device's I²C EEPROM interface is designed to attach to a single dedicated I²C EEPROM, and it conforms to the Standard-mode I²C Specification (100 kbps transfer rate and 7-bit addressing) for protocol and electrical compatibility.

Note: Extensions to the *I²C Specification* are not supported. The device acts as the master and generates the serial clock SCL, controls the bus access (determines which device acts as the transmitter and which device acts as the receiver), and generates the START and STOP conditions.

4.4.6.1 Protocol Implementation

The hub will only access an EEPROM using the sequential read protocol as outlined in Chapter 8 of the *MicroChip 24AA02/24LC02B Data Sheet* [8].

4.4.6.2 Pull-Up Resistor

The circuit board designer is required to place external pull-up resistors (10 kΩ recommended) on the **SPI_DO/GPIO5/SDA/SPI_SPD_SEL** and **SPI_CLK/GPIO4/SCL** lines (per *SMBus 1.0 Specification* [7] and EEPROM manufacturer guidelines) to VDD33 in order to assure proper operation.

4.4.7 In-Circuit EEPROM Programming

The EEPROM can be programmed via automatic test equipment (ATE). Pulling **nRESET** low tri-states the device's EEPROM interface and allows an external source to program the EEPROM.

4.5 Default Configuration Option

The SMSC device can be configured via its internal default configuration. Please see [Section 4.3.2 on page 26](#) for specific details on how to enable default configuration. Please refer to [Table 4.1](#) for the internal default values that are loaded when this option is selected.

4.5.1 External Hardware nRESET

A valid hardware reset is defined as assertion of **nRESET** for a minimum of 1 μs after all power supplies are within operating range. While reset is asserted, the device (and its associated external circuitry) consumes less than 500 μA of current.

Assertion of **nRESET** (external pin) causes the following:

1. All downstream ports are disabled and **PRTCTL** power to downstream devices is removed
2. The PHYs are disabled and the differential pairs will be in a high-impedance state
3. All transactions immediately terminate; no states are saved
4. All internal registers return to the default state (in most cases, 00h)
5. The external crystal oscillator is halted
6. The PLL is halted

4.5.1.1 nRESET for EEPROM Configuration

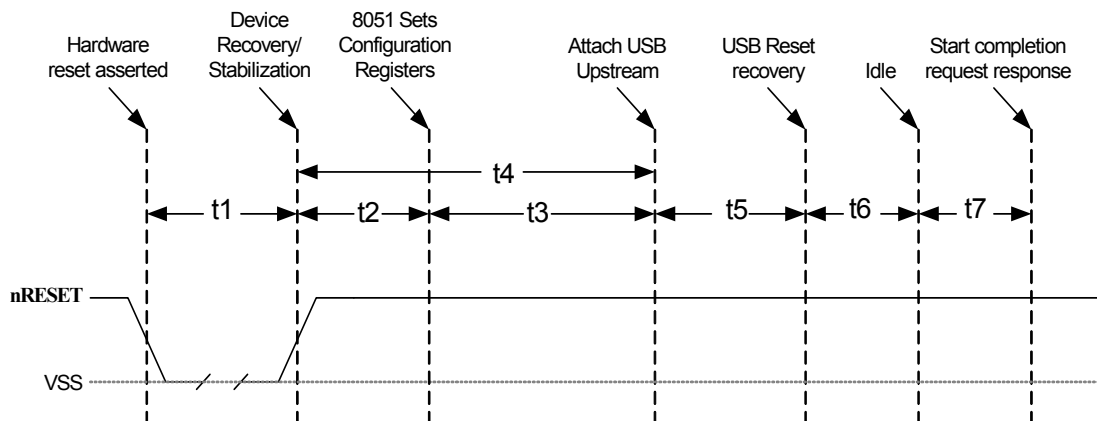


Figure 4.1 nRESET Timing for EEPROM Mode

Datasheet

Table 4.7 nRESET Timing for EEPROM Mode

NAME	DESCRIPTION	MIN	TYP	MAX	UNITS
t1	nRESET asserted	1			μsec
t2	Device recovery/stabilization			500	μsec
t3	8051 programs device configuration		20	50	msec
t4	USB attach (Note)			100	msec
t5	Host acknowledges attach and signals USB reset	100			msec
t6	USB idle		Undefined		msec
t7	Completion time for requests (with or without data stage)			5	msec

Note: All power supplies must have reached the operating levels mandated in [Chapter 6 on page 51](#), prior to (or coincident with) the assertion of nRESET.

4.5.2 USB Bus Reset

In response to the upstream port signaling a reset to the device, the device does the following:

1. Sets default address to 0
2. Sets configuration to: Unconfigured
3. Negates PRTCTL[3:2] to all downstream ports
4. Clears all TT buffers
5. Moves device from suspended to active (if suspended)
6. Complies with Section 11.10 of the *USB 2.0 Specification* for behavior after completion of the reset sequence

Note: The device does not propagate the upstream USB reset to downstream devices.

The host then configures the device and the device's downstream port devices in accordance with the *USB 2.0 Specification*.

Chapter 5 AC Specifications

5.1 Oscillator/Crystal

Parallel Resonant, Fundamental Mode, 24 MHz ± 350 ppm.

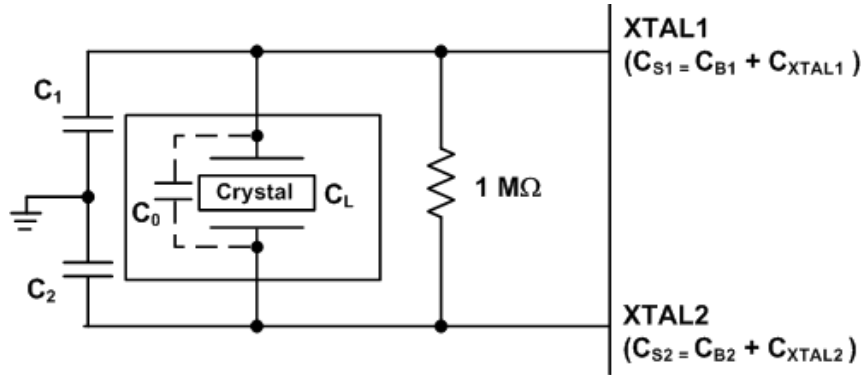


Figure 5.1 Typical Crystal Circuit

Table 5.1 Crystal Circuit Legend

SYMBOL	DESCRIPTION	IN ACCORDANCE WITH
C_0	Crystal shunt capacitance	Crystal manufacturer’s specification (See Note 5.1)
C_L	Crystal load capacitance	
C_B	Total board or trace capacitance	OEM board design
C_S	Stray capacitance	SMSC IC and OEM board design
C_{XTAL}	XTAL pin input capacitance	SMSC IC
C_1 C_2	Load capacitors installed on OEM board	Calculated values based on Figure 5.2: Capacitance Formulas (See Note 5.2)

$$C_1 = 2 \times (C_L - C_0) - C_{S1}$$

$$C_2 = 2 \times (C_L - C_0) - C_{S2}$$

Figure 5.2 Capacitance Formulas

Note 5.1 C_0 is usually included (subtracted by the crystal manufacturer) in the specification for C_L and should be set to ‘0’ for use in the calculation of the capacitance formulas in [Figure 5.2: Capacitance Formulas](#). However, the PCB may present a parasitic capacitance between XTAL1 and XTAL2. For an accurate calculation of C_1 and C_2 , take the parasitic capacitance between traces XTAL1 and XTAL2 into account.

Note 5.2 Each of these capacitance values is typically approximately 18 pF.

Datasheet

5.2 Ceramic Resonator

24 MHz \pm 350 ppm

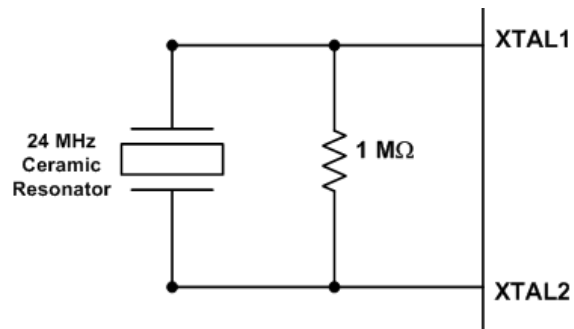


Figure 5.3 Ceramic Resonator Usage with SMSC IC

5.3 External Clock

50% Duty cycle \pm 10%, 24 MHz \pm 350 ppm, Jitter < 100 ps rms.

The external clock is recommended to conform to the signaling level designated in the *JESD76-2 Specification* on 1.8 V CMOS Logic. XTAL2 should be treated as a no connect.

5.3.1 I²C EEPROM

Frequency is fixed at 58.6 kHz \pm 20%

5.3.2 USB 2.0

The SMSC device conforms to all voltage, power, and timing characteristics and specifications as set forth in the USB 2.0 Specification. Please refer to the USB 2.0 Specification for more information.

Chapter 6 DC Parameters

6.1 Maximum Guaranteed Ratings

PARAMETER	SYMBOL	MIN	MAX	UNITS	COMMENTS
Storage Temperature	T _{STOR}	-55	150	°C	
Lead Temperature				°C	Refer to <i>JEDEC Specification J-STD-020D</i> [5].
1.2 V supply voltage	VDD12	-0.5	1.5	V	
3.3 V supply voltage	VDD33	-0.5	4.0	V	
Voltage on USB+ and USB- pins		-0.5	(3.3 V supply voltage + 2) ≤ 6	V	
Voltage on GPIO10		-0.5	VDD33 + 0.3	V	When internal power FET operation of these pins are enabled, these pins may be simultaneously shorted to ground or any voltage up to 3.63 V indefinitely, without damage to the device as long as VDD33 is less than 3.63 V and T _A is less than 70°C.
Voltage on any signal pin		-0.5	VDD33 + 0.3	V	
Voltage on XTAL1		-0.5	3.6	V	
Voltage on XTAL2		-0.5	2.0	V	

Notes:

- Stresses above the specified parameters could cause permanent damage to the device. This is a stress rating only. Therefore, functional operation of the device at any condition above those indicated in the operation sections of this specification are not implied.
- When powering this device from laboratory or system power supplies, it is important that the absolute maximum ratings not be exceeded or device failure can result. Some power supplies exhibit voltage spikes on their outputs when the AC power is switched on or off. In addition, voltage transients on the AC power line may appear on the DC output. When this possibility exists, it is suggested that a clamp circuit be used.

Datasheet

6.2 Operating Conditions

PARAMETER	SYMBOL	MIN	MAX	UNITS	Comments
Commercial USB4640 Operating Temperature	T_A	0	70	°C	Ambient temperature in still air.
Industrial USB4640i Operating Temperature	T_A	-40	85	°C	Ambient temperature in still air.
1.2 V supply voltage	VDD12	1.1	1.3	V	The ripple on VDD12 must be less than 50 mV peak to peak.
1.2 V supply rise time	t_{RT12}	0	400	μ s	Under all conditions the voltage on the 1.2 V supply must be below the 3.3 V supply. (Figure 6.1)
3.3 V supply voltage	VDD33	3.0	3.6	V	A 3.3 V regulator with an output tolerance of 1% must be used if the output of the internal power FET's must support a 5% tolerance.
3.3 V supply rise time	t_{RT33}	0	400	μ s	(Figure 6.1)
Voltage on USB+ and USB- pins		-0.3	5.5	V	If any 3.3 V supply voltage drops below 3.0 V, then the MAX becomes: $(3.3 \text{ V supply voltage}) + 0.5 \leq 5.5$
Voltage on any signal pin		-0.3	VDD33	V	
Voltage on XTAL1		-0.3	2.0	V	
Voltage on XTAL2		-0.3	2.0	V	

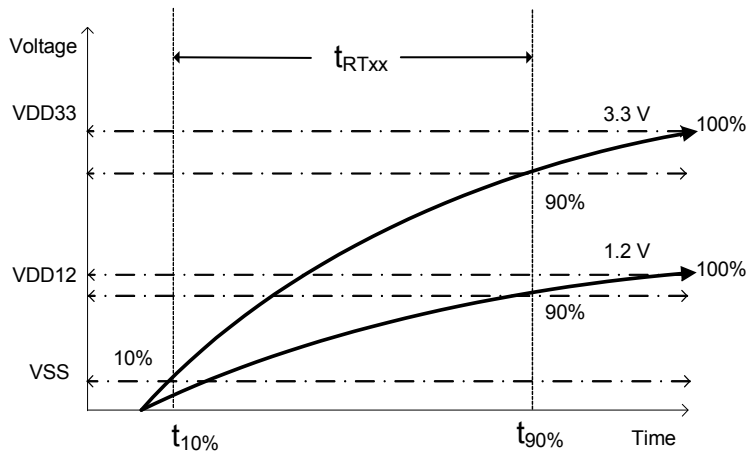


Figure 6.1 Supply Rise Time Model

6.3 DC Electrical Characteristics

PARAMETER	SYMBOL	MIN	TYP	MAX	UNITS	COMMENTS
I, IPU, IPD Type Input Buffer						
Low Input Level	V_{ILI}			0.8	V	TTL Levels
High Input Level	V_{IHI}	2.0			V	
Pull Down	PD		72		μA	
Pull Up	PU		58		μA	
IS Type Input Buffer						
Low Input Level	V_{ILI}			0.8	V	TTL Levels
High Input Level	V_{IHI}	2.0			V	
Hysteresis	V_{HYSI}		420		mV	
ICLK Input Buffer						
Low Input Level	V_{ILCK}			0.5	V	
High Input Level	V_{IHCK}	1.4			V	
Input Leakage	I_{IL}	-10		+10	μA	$V_{IN} = 0$ to VDD33
Input Leakage (All I and IS buffers)						
Low Input Leakage	I_{IL}	-10		+10	μA	$V_{IN} = 0$
High Input Leakage	I_{IH}	-10		+10	μA	$V_{IN} = \text{VDD33}$
I/O6, I/OD6PU Type Buffers						
Low Output Level	V_{OL}			0.4	V	$I_{OL} = 6 \text{ mA @}$ $\text{VDD33} = 3.3 \text{ V}$
High Output Level	V_{OH}	V_{DD33} -0.4			V	$I_{OH} = -6 \text{ mA @}$ $\text{VDD33} = 3.3 \text{ V}$
Output Leakage	I_{OL}	-10		+10	μA	$V_{IN} = 0$ to VDD33 (Note 6.1)
Pull Down	PD		72		μA	
Pull Up	PU		58		μA	

Datasheet

PARAMETER	SYMBOL	MIN	TYP	MAX	UNITS	COMMENTS
O8, O8PD, O8PU, I/O8, I/O8PD, and I/O8PU Type Buffers						
Low Output Level	V_{OL}				V	$I_{OL} = 8 \text{ mA @ } V_{DD33} = 3.3 \text{ V}$
High Output Level	V_{OH}	$V_{DD33} - 0.4$			V	$I_{OH} = -8 \text{ mA @ } V_{DD33} = 3.3 \text{ V}$
Output Leakage	I_{OL}	-10		+10	μA	$V_{IN} = 0 \text{ to } V_{DD33}$ (Note 6.1)
Pull Down	PD		72		μA	
Pull Up	PU		58		μA	
O12, I/O12, and I/O12PD Type Buffers						
Low Output Level	V_{OL}			0.4	V	$I_{OL} = 12 \text{ mA @ } V_{DD33} = 3.3 \text{ V}$
High Output Level	V_{OH}	$V_{DD33} - 0.4$			V	$I_{OH} = -12 \text{ mA @ } V_{DD33} = 3.3 \text{ V}$
Output Leakage	I_{OL}	-10		+10	μA	$V_{IN} = 0 \text{ to } V_{DD33}$ (Note 6.1)
Pull Down	PD		72		μA	
Pull Up	PU		58		μA	
IO-U						(Note 6.2)
I-R						(Note 6.3)
I/O200 Integrated Power FET for GPIO10						
High Output Current	I_{OUT}	200			mA	$V_{drop_{FET}} = 0.46 \text{ V}$
Low Output Current (Note 6.4)	I_{OUT}	100			mA	$V_{drop_{FET}} = 0.23 \text{ V}$
On Resistance (Note 6.4)	R_{DSON}			2.1	Ω	$I_{FET} = 70 \text{ mA}$
Output Voltage Rise Time	t_{DSON}			800	μs	$C_{LOAD} = 10 \mu\text{F}$
Integrated Power FET Set to 100 mA						
Output Current (Note 6.4)	I_{OUT}	100			mA	$V_{drop_{FET}} = 0.22 \text{ V}$
Short Circuit Current Limit	I_{SC}			140	mA	$V_{out_{FET}} = 0 \text{ V}$
On Resistance (Note 6.4)	R_{DSON}			2.1	Ω	$I_{FET} = 70 \text{ mA}$
Output Voltage Rise Time	t_{DSON}			800	μs	$C_{LOAD} = 10 \mu\text{F}$

PARAMETER	SYMBOL	MIN	TYP	MAX	UNITS	COMMENTS
Integrated Power FET Set to 200 mA						
Output Current (Note 6.4)	I_{OUT}	200			mA	$V_{drop_{FET}} = 0.46\text{ V}$
Short Circuit Current Limit	I_{SC}			181	mA	$V_{out_{FET}} = 0\text{ V}$
On Resistance (Note 6.4)	R_{DSON}			2.1	Ω	$I_{FET} = 70\text{ mA}$
Output Voltage Rise Time	t_{DSON}			800	μs	$C_{LOAD} = 10\ \mu\text{F}$
Supply Current Unconfigured						(Note 6.6)
USB4640	$I_{CCINTHS}$		58	60	mA	
USB4640i	$I_{CCINTHS}$		58	62	mA	
Supply Current Configured 1 downstream port						(Note 6.6)
USB4640	I_{HCH1}		155	160	mA	
USB4640i	I_{HCH1}		155	165	mA	
Supply Current Configured Each additional downstream port						(Note 6.6)
USB4640			30	35	mA	
USB4640i			30	40	mA	
HSIC_DAT, HSIC_STROBE Driver Impedance	I_D	40	46	60	Ω	(Note 6.5)
Supply Current Suspend						(Note 6.6)
USB4640	I_{CSBY}		210	375	μA	
USB4640i	I_{CSBY}		210	450	μA	
Supply Current Reset						(Note 6.6)
USB4640	I_{RST}		220	400	μA	
USB4640i	I_{RST}		220	500	μA	

Note 6.1 Output leakage is measured with the current pins in high impedance.

Note 6.2 See the *USB 2.0 Specification*, Chapter 7, for USB DC electrical characteristics

Note 6.3 RBIAS is a 3.3 V tolerant analog pin.

Note 6.4 Output current range is controlled by program software. The software disables the FET during short circuit condition.

Note 6.5 Refer to the *High-Speed Inter-Chip USB Electrical Specification Revision 1.0 [2]*.

Note 6.6 Typical and maximum values were characterized using the following temperature ranges:
The USB4640 supports the commercial temperature range of 0°C to +70°C
The USB4640i supports the industrial temperature range of -40°C to +85°C

Datasheet

6.4 Capacitance

 $T_A = 25^\circ\text{C}$; $f_c = 1\text{ MHz}$; $V_{DD33} = 3.3\text{ V}$ **Table 6.1 Pin Capacitance**

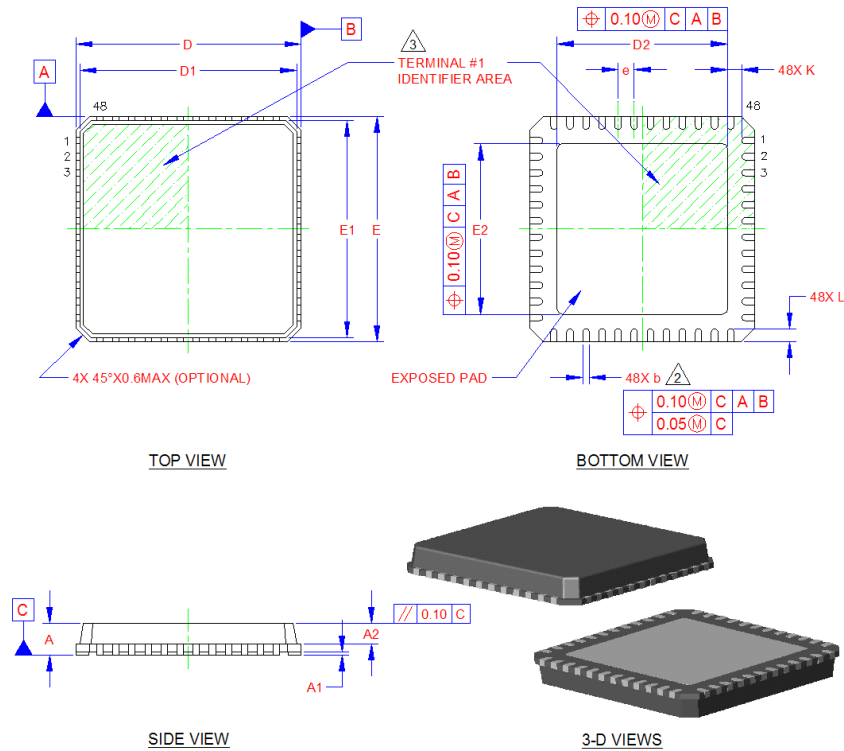
PARAMETER	SYMBOL	LIMITS			UNIT	TEST CONDITION
		MIN	TYP	MAX		
Clock Input Capacitance	C_{XTAL}			2	pF	All pins (except USB pins and pins under test) are tied to AC ground.
Input Capacitance	C_{IN}			10	pF	
Output Capacitance	C_{OUT}			20	pF	

Chapter 7 GPIO Usage

Table 7.1 USB4640/USB4640i GPIO Usage

NAME	ACTIVE LEVEL	SYMBOL	DESCRIPTION AND NOTE
GPIO1	H	LED / TxD	LED indicator / Serial port transmit line
GPIO2	H	RxD	Serial port receive line
GPIO4	H	SCL	Serial EEPROM clock
GPIO5	H	SDA	Serial EEPROM data
GPIO6	L	SD_WP	Secure Digital card write protect assertion
GPIO10	L	CRD_PWR_CTRL	Card power control
GPIO12	L	MS_nCD	Memory Stick card detect
GPIO14	L	xD_nCD	xD-Picture card detect
GPIO15	L	SD_nCD	Secure Digital card detect

Chapter 8 Package Specifications



COMMON DIMENSIONS					
SYMBOL	MIN	NOM	MAX	NOTE	REMARK
A	0.70	0.85	1.00	-	OVERALL PACKAGE HEIGHT
A1	0	0.02	0.05	-	STANDOFF
A2	-	-	0.90	-	MOLD CAP THICKNESS
D/E	6.85	7.00	7.15	-	X/Y BODY SIZE
D1/E1	6.55	6.75	6.95	-	X/Y MOLD CAP SIZE
D2/E2	5.20	5.30	5.40	-	X/Y EXPOSED PAD SIZE
L	0.30	0.40	0.50	-	TERMINAL LENGTH
b	0.18	0.25	0.30	2	TERMINAL WIDTH
K	0.35	-	-	-	CENTER PAD TO PIN CLEARANCE
e		0.50 BSC		-	TERMINAL PITCH

- NOTES:**
- ALL DIMENSIONS ARE IN MILLIMETER.
 - DIMENSIONS "b" APPLIES TO PLATED TERMINALS AND IT IS MEASURED BETWEEN 0.15 AND 0.30 mm FROM THE TERMINAL TIP.
 - DETAILS OF TERMINAL #1 IDENTIFIER AREA ARE OPTIONAL BUT MUST BE LOCATED WITHIN THE AREA INDICATED.

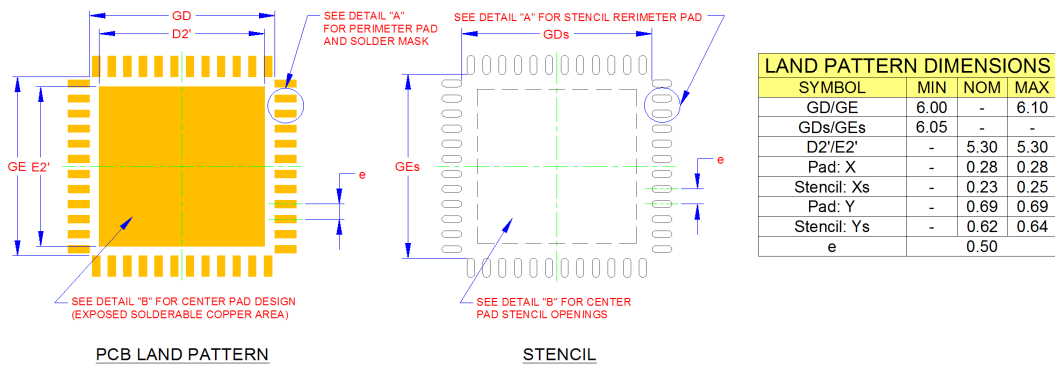
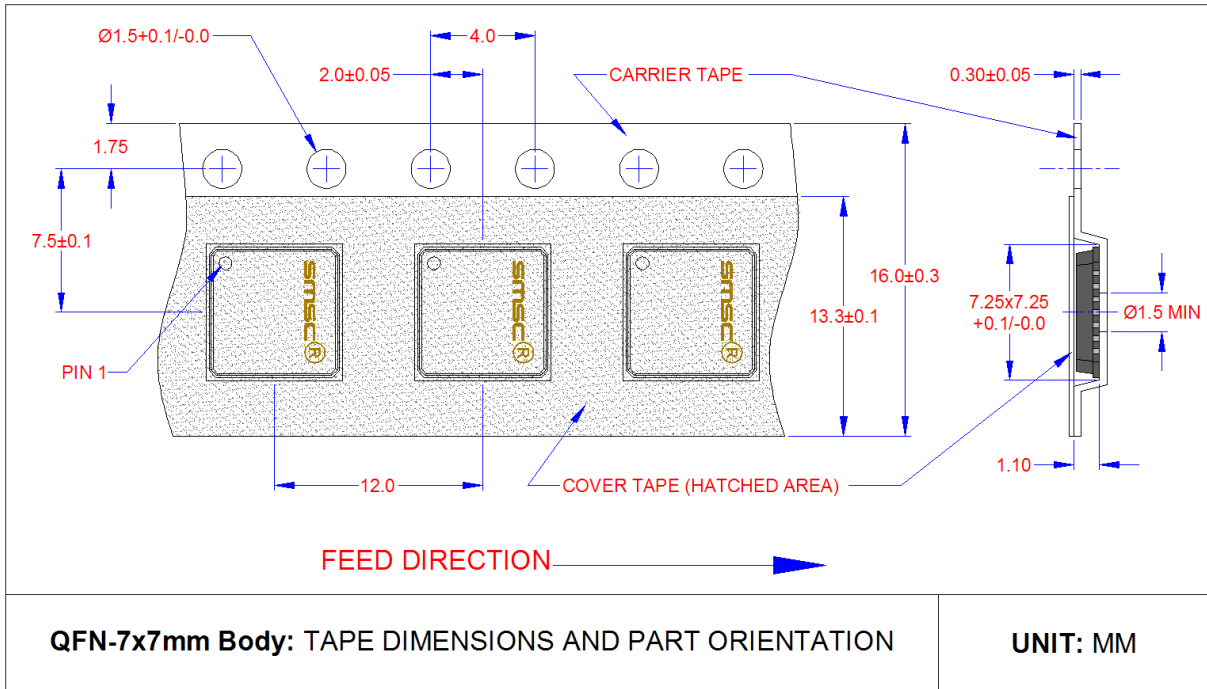
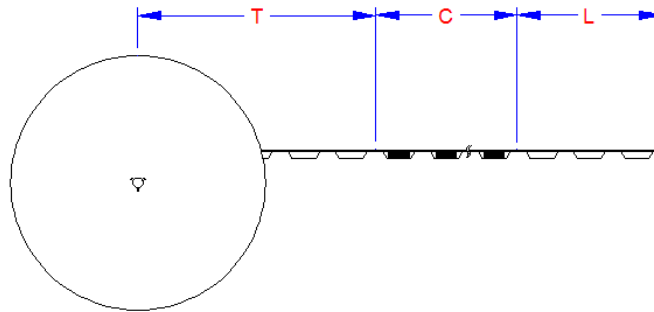


Figure 8.1 USB4640/USB4640i 48-Pin QFN

8.1 Tape and Reel Specifications



TAPE LENGTH & PART QUANTITY



TAPE SECTIONS		
SECTION	SYM	SIZE
TRAILER	T	14 pockets (MIN)
COMPONENT	C	3000 components
LEADER	L	34 pockets (MIN)

Figure 8.2 48-Pin Package Tape Specifications

REEL PHYSICAL DIMENSIONS

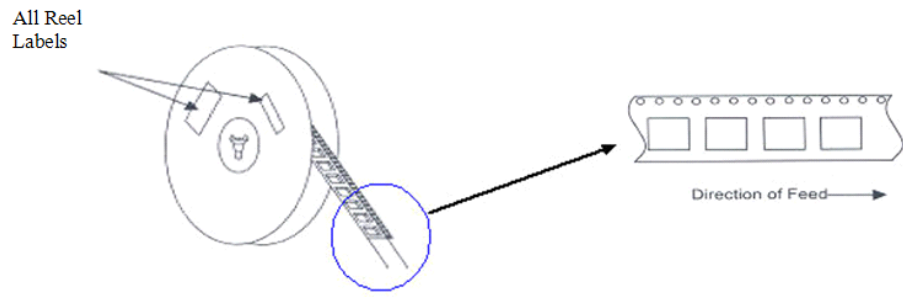
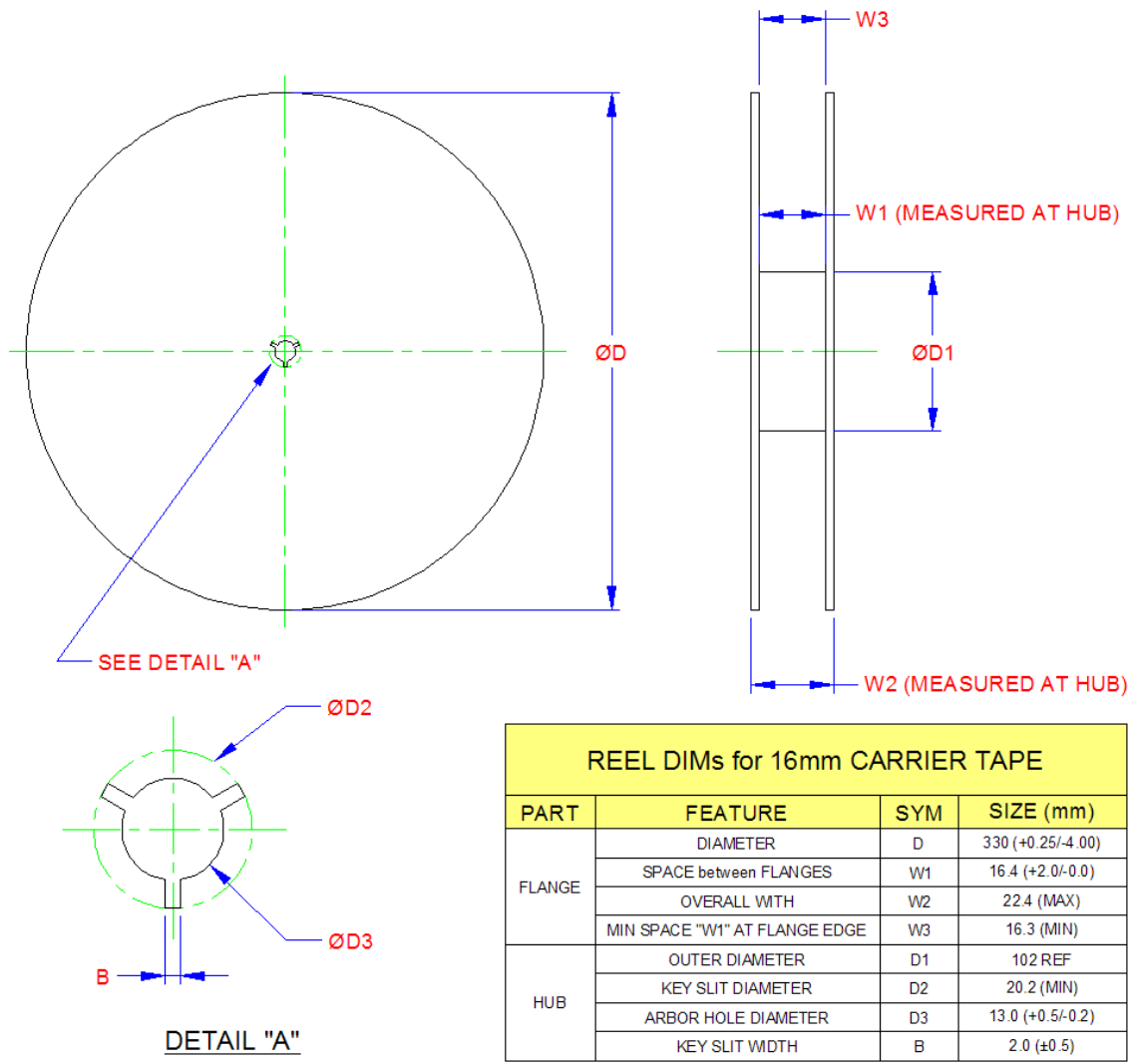


Figure 8.3 48-Pin Package Reel Specifications

Appendix A (Acronyms)

ACK: Handshake packet (positive acknowledgement)

EOF: End of (micro) Frame

FM: Flash Media

FMC: Flash Media Controller

FS: Full-Speed Device

LS: Low-Speed Device

HS: Hi-Speed Device

I²C[®]: Inter-Integrated Circuit¹

MMC: MultiMediaCard

MS: Memory Stick

MSC: Memory Stick Controller

OCS: Over-current Sense

PHY: Physical Layer

PLL: Phase-Locked Loop

SD: Secure Digital

SDC: Secure Digital Controller

TXD: Transmit eXchange Data

UART: Universal Asynchronous Receiver-Transmitter

UCHAR: Unsigned Character

UINT: Unsigned Integer

Standard Microsystems is a registered trademark and SMSC is a trademark of Standard Microsystems Corporation. Other product and company names are trademarks or registered trademarks of their respective holders.

*Note: In order to develop, make, use, or sell readers and/or other products using or incorporating any of the SMSC devices made the subject of this document or to use related SMSC software programs, technical information and licenses under patent and other intellectual property rights from or through various persons or entities, including without limitation media standard companies, forums, and associations, and other patent holders may be required. These media standard companies, forums, and associations include without limitation the following: Sony Corporation (Memory Stick, Memory Stick Pro); SD3 LLC (Secure Digital); MultiMedia Card Association (MultiMediaCard); the SSFDC Forum (SmartMedia); the Compact Flash Association (Compact Flash); and Fuji Photo Film Co., Ltd., Olympus Optical Co., Ltd., and Toshiba Corporation (xD-Picture Card). SMSC does not make such licenses or technical information available; does not promise or represent that any such licenses or technical information will actually be obtainable from or through the various persons or entities (including the media standard companies, forums, and associations), or with respect to the terms under which they may be made available; and is not responsible for the accuracy or sufficiency of, or otherwise with respect to, any such technical information.

SMSC's obligations (if any) under the Terms of Sale Agreement, or any other agreement with any customer, or otherwise, with respect to infringement, including without limitation any obligations to defend or settle claims, to reimburse for costs, or to pay damages, shall not apply to any of the devices made the subject of this document or any software programs related to any of such devices, or to any combinations involving any of them, with respect to infringement or claimed infringement of any existing or future patents related to solid state disk or other flash memory technology or applications ("Solid State Disk Patents"). By making any purchase of any of the devices made the subject of this document, the customer represents, warrants, and agrees that it has obtained all necessary licenses under then-existing Solid State Disk Patents for the manufacture, use and sale of solid state disk and other flash memory products and that the customer will timely obtain at no cost or expense to SMSC all necessary licenses under Solid State Disk Patents; that the manufacture and testing by or for SMSC of the units of any of the devices made the subject of this document which may be sold to the customer, and any sale by SMSC of such units to the customer, are valid exercises of the customer's rights and licenses under such Solid State Disk Patents; that SMSC shall have no obligation for royalties or otherwise under any Solid State Disk Patents by reason of any such manufacture, use, or sale of such units; and that SMSC shall have no obligation for any costs or expenses related to the customer's obtaining or having obtained rights or licenses under any Solid State Disk Patents. **SMSC MAKES NO WARRANTIES, EXPRESS, IMPLIED, OR STATUTORY, IN REGARD TO INFRINGEMENT OR OTHER VIOLATION OF INTELLECTUAL PROPERTY RIGHTS. SMSC DISCLAIMS AND EXCLUDES ANY AND ALL WARRANTIES AGAINST INFRINGEMENT AND THE LIKE.**

No license is granted by SMSC expressly, by implication, by estoppel or otherwise, under any patent, trademark, copyright, mask work right, trade secret, or other intellectual property right.

**To obtain this software program the appropriate SMSC Software License Agreement must be executed and in effect. Forms of these Software License Agreements may be obtained by contacting SMSC.

1. I²C is a registered trademark of Philips Corporation.

Datasheet

Appendix B (References)

- [1] Universal Serial Bus Specification, Version 2.0, April 27, 2000 (12/7/2000 and 5/28/2002 Errata)
USB Implementers Forum, Inc. <http://www.usb.org>
- [2] USB 2.0 Supplement High-Speed Inter-Chip USB Electrical Specification Revision 1.0. 09/23/07.
USB Implementers Forum, Inc. <http://www.usb.org/developers/docs/>
- [3] HSIC ECN. May 25, 2010
USB Implementers Forum, Inc. <http://www.usb.org/developers/docs/>
- [4] The Unicode Standard, Worldwide Character Encoding Version 4.0
The Unicode Consortium. <http://www.unicode.org>
- [5] JEDEC Specification J-STD-020D
JEDEC Global Standards for the Microelectronics Industry. <http://www.jedec.org/standards-documents>
- [6] I²C-Bus Specification Version 1.1
NXP (formerly a division of Philips). http://www.nxp.com/products/interface_control/i2c/
- [7] System Management Bus Specification, version 1.0
SMBus. <http://smbus.org/specs/>
- [8] MicroChip 24AA02/24LC02B
Microchip Technology Inc. <http://www.microchip.com/>



Стандарт Электрон Связь

Мы молодая и активно развивающаяся компания в области поставок электронных компонентов. Мы поставляем электронные компоненты отечественного и импортного производства напрямую от производителей и с крупнейших складов мира.

Благодаря сотрудничеству с мировыми поставщиками мы осуществляем комплексные и плановые поставки широчайшего спектра электронных компонентов.

Собственная эффективная логистика и склад в обеспечивает надежную поставку продукции в точно указанные сроки по всей России.

Мы осуществляем техническую поддержку нашим клиентам и предпродажную проверку качества продукции. На все поставляемые продукты мы предоставляем гарантию .

Осуществляем поставки продукции под контролем ВП МО РФ на предприятия военно-промышленного комплекса России , а также работаем в рамках 275 ФЗ с открытием отдельных счетов в уполномоченном банке. Система менеджмента качества компании соответствует требованиям ГОСТ ISO 9001.

Минимальные сроки поставки, гибкие цены, неограниченный ассортимент и индивидуальный подход к клиентам являются основой для выстраивания долгосрочного и эффективного сотрудничества с предприятиями радиоэлектронной промышленности, предприятиями ВПК и научно-исследовательскими институтами России.

С нами вы становитесь еще успешнее!

Наши контакты:

Телефон: +7 812 627 14 35

Электронная почта: sales@st-electron.ru

Адрес: 198099, Санкт-Петербург,
Промышленная ул, дом № 19, литера Н,
помещение 100-Н Офис 331